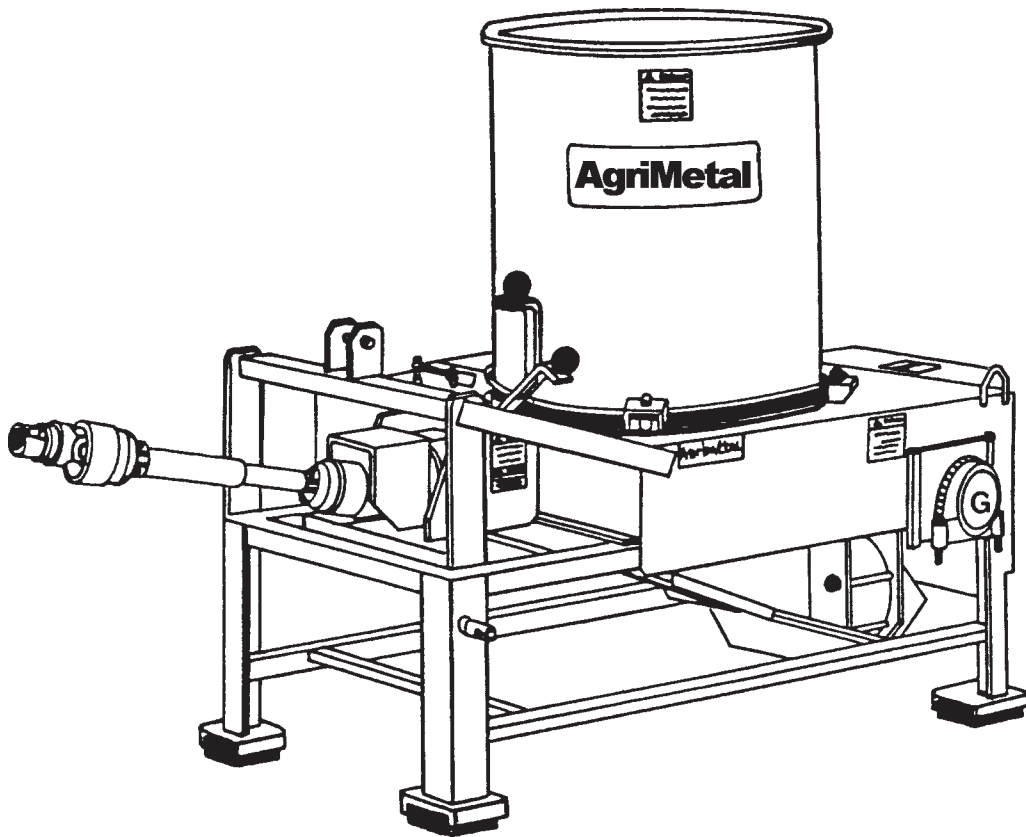


# AgriMetal<sup>INC.</sup>



## PTO BALE CHOPPER MODEL PTO LS

## OPERATOR'S MANUAL AND PARTS BOOK

# **AGRIMETAL INC. PTO BALE CHOPPER**

## **WARRANTY**

AgriMetal Incorporated (AgriMetal) warrants the new **PTO Bale Chopper** to be free from defects in material, under normal use and service. Obligation under this warranty shall extend for a period of 1 year (12 months) following the date of delivery to the original purchaser and shall be limited to, at the option of AgriMetal, replacement or repair of any parts found, upon inspection by AgriMetal, to be defective.

### **WARRANTY CLAIMS**

The purchaser claiming under this warranty shall submit a warranty claim in the prescribed form to AgriMetal or an Authorized Dealer, for inspection by an authorized company representative.

### **LIMITATIONS OF LIABILITY**

This warranty is expressly in lieu of all other warranties expressed or implied and all other obligations or liabilities on our part of any kind or character, including liabilities for alleged representations or negligence. We neither assume nor authorize any other person to assume on our behalf, any liability in connection with the subsequent sale of the **PTO Bale Chopper**.

This warranty shall not apply to any **PTO Bale Chopper** which has been altered outside the factory in any way so as, in the judgement of AgriMetal, to affect its operation or reliability, or which has been subject to misuse, neglect or accident.

This warranty does not cover parts and accessories which are under separate guarantees from the manufacturers and where service can be obtained from their service facilities. No warranty is extended to regular service items such as lubricants, belts, paint and the like.

### **OPERATOR'S MANUAL**

The Purchaser acknowledges having received training in the safe operation of the **PTO Bale Chopper** and further acknowledges that AgriMetal does not assume any liability resulting from the operation of the **PTO Bale Chopper** in any manner other than described in the Operator's Manual supplied at the time of purchase.

**WARRANTY VOID IF NOT REGISTERED**

# AGRIMETAL BALE CHOPPER

## WARRANTY REGISTRATION FORM & INSPECTION REPORT

### WARRANTY REGISTRATION

This form must be filled out by the dealer and signed by both the dealer and the customer at the time of delivery.

Customer's Name \_\_\_\_\_ Dealer Name \_\_\_\_\_

Address \_\_\_\_\_ Address \_\_\_\_\_

City, State/Prov., Code \_\_\_\_\_ City, State/Prov., Code \_\_\_\_\_

Phone Number ( \_\_\_\_ ) \_\_\_\_\_

Bale Chopper Model \_\_\_\_\_

Serial Number \_\_\_\_\_

Delivery Date \_\_\_\_\_

### DEALER INSPECTION REPORT

- \_\_\_ Rotor and Blower Turns Freely
- \_\_\_ Belt Tension Checked
- \_\_\_ Check Engine Fluid Levels
- \_\_\_ Pulleys Aligned
- \_\_\_ Fasteners Tight
- \_\_\_ Lubricate Machine

### SAFETY

- \_\_\_ Check Engine Fluid Levels
- \_\_\_ Pulleys Aligned
- \_\_\_ All Decals Installed
- \_\_\_ Guards and Shields Installed and Secured
- \_\_\_ Review Operating and Safety Instructions

I have thoroughly instructed the buyer on the above described equipment which review included the Operator's Manual content, equipment care, adjustments, safe operation and applicable warranty policy.

Date \_\_\_\_\_

Dealer's Rep. Signature \_\_\_\_\_

Signature \_\_\_\_\_

The above equipment and Operator's Manual have been received by me and I have been thoroughly instructed as to care, adjustments, safe operation and applicable warranty policy.

Date \_\_\_\_\_

Owner's Signature \_\_\_\_\_

WHITE	YELLOW	PINK
AGRIMETAL INC.	DEALER	CUSTOMER

# TABLE OF CONTENTS

SECTION	DESCRIPTION	PAGE
<b>1</b>	<b>Introduction .....</b>	<b>1</b>
<b>2</b>	<b>Safety .....</b>	<b>2</b>
2.1	General Safety .....	3
2.2	Equipment Safety Guidelines .....	4
2.3	Safety Training.....	5
2.4	Safety Signs.....	5
2.5	Preparation .....	6
2.6	Operating Safety .....	7
2.7	Transport Safety .....	8
2.8	Storage Safety .....	8
2.9	Maintenance Safety .....	8
2.10	Sign-Off Form .....	9
<b>3</b>	<b>Safety Sign Locations .....</b>	<b>10</b>
<b>4</b>	<b>Assembling .....</b>	<b>16</b>
4.1	Machine Assembly .....	16
<b>5</b>	<b>Operation .....</b>	<b>24</b>
5.1	To the New Operator or Owner .....	24
5.2	Principle Components .....	25
5.3	Break-In .....	26
5.4	Pre-Operation Checklist.....	26
5.5	Equipment Matching .....	27
5.6	Driveline Dimension .....	27
5.7	Mounting and Unhooking Tractor .....	29
5.8	Controls .....	31
5.9	Operating .....	34
5.10	Transporting.....	40
5.11	Storage .....	41
	5.11.1 Placing in Storage .....	41
	5.11.2 Removing from Storage .....	41
<b>6</b>	<b>Service and Maintenance .....</b>	<b>42</b>
6.1	Service .....	42
	6.1.1 Fuels, Fluids and Lubricants .....	42
	6.1.2 Greasing .....	42
	6.1.3 Servicing Intervals .....	43
	6.1.4 Service Record .....	45

# TABLE OF CONTENTS

SECTION	DESCRIPTION	PAGE
6.2	Maintenance .....	46
6.2.1	Cleaning Machine .....	46
6.2.2	Drive Belts .....	46
6.2.2.1	Tub Rotation Gear Box Belt .....	47
6.2.2.2	Tub Rotation Drive .....	48
6.2.2.2.1	Belt Tightening .....	48
6.2.3.3.2	Belt Replacement .....	49
6.2.2.3	Blower Drive Belt .....	50
6.2.3	Unplugging .....	51
6.2.4	Shear Bolt .....	52
6.3	Repairs .....	53
6.3.1	Knife Replacement .....	53
<b>7</b>	<b>Trouble Shooting .....</b>	<b>56</b>
<b>8</b>	<b>Specifications .....</b>	<b>57</b>
8.1	Mechanical .....	57
8.2	Bolt Torque .....	58
<b>9</b>	<b>Parts List .....</b>	<b>59</b>
<b>10</b>	<b>Index .....</b>	<b>65</b>

# SERIAL NUMBER LOCATION

Always give your dealer the serial number of your AgriMetal PTO Bale Chopper when ordering parts or requesting service or other information.

The serial number plate(s) is located where indicated. Please mark the number in the space provided for easy reference.



**Model Number** \_\_\_\_\_

**Serial Number** \_\_\_\_\_

**AGRIMETAL INC.  
1006 PRINCIPALE  
WICKHAM, QUEBEC  
CANADA, J0C 1S0**

**TEL: (819) 398-6883  
FAX: (819) 398-5311**