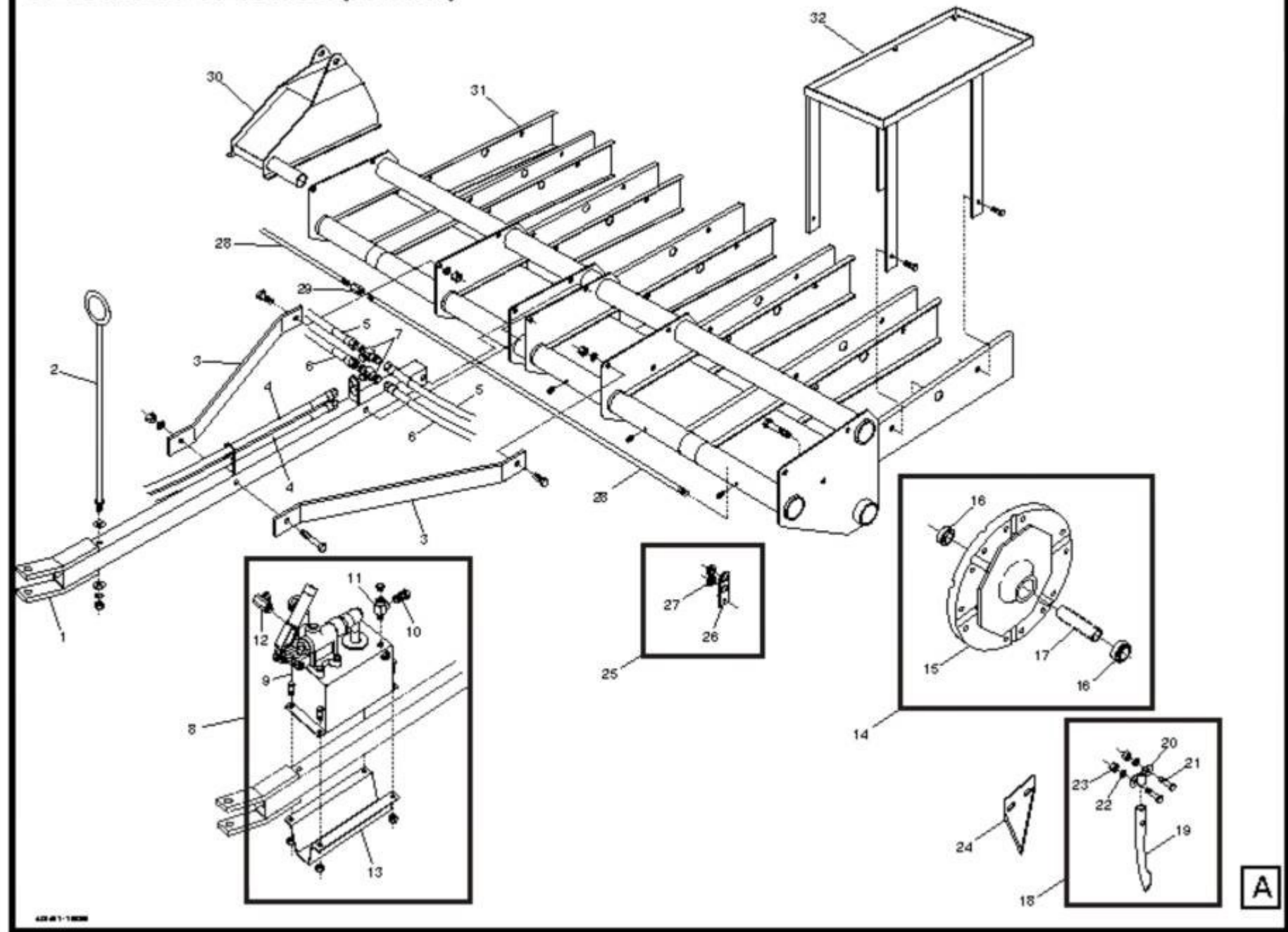


AERATEUR - AERATOR (F.A. 720)

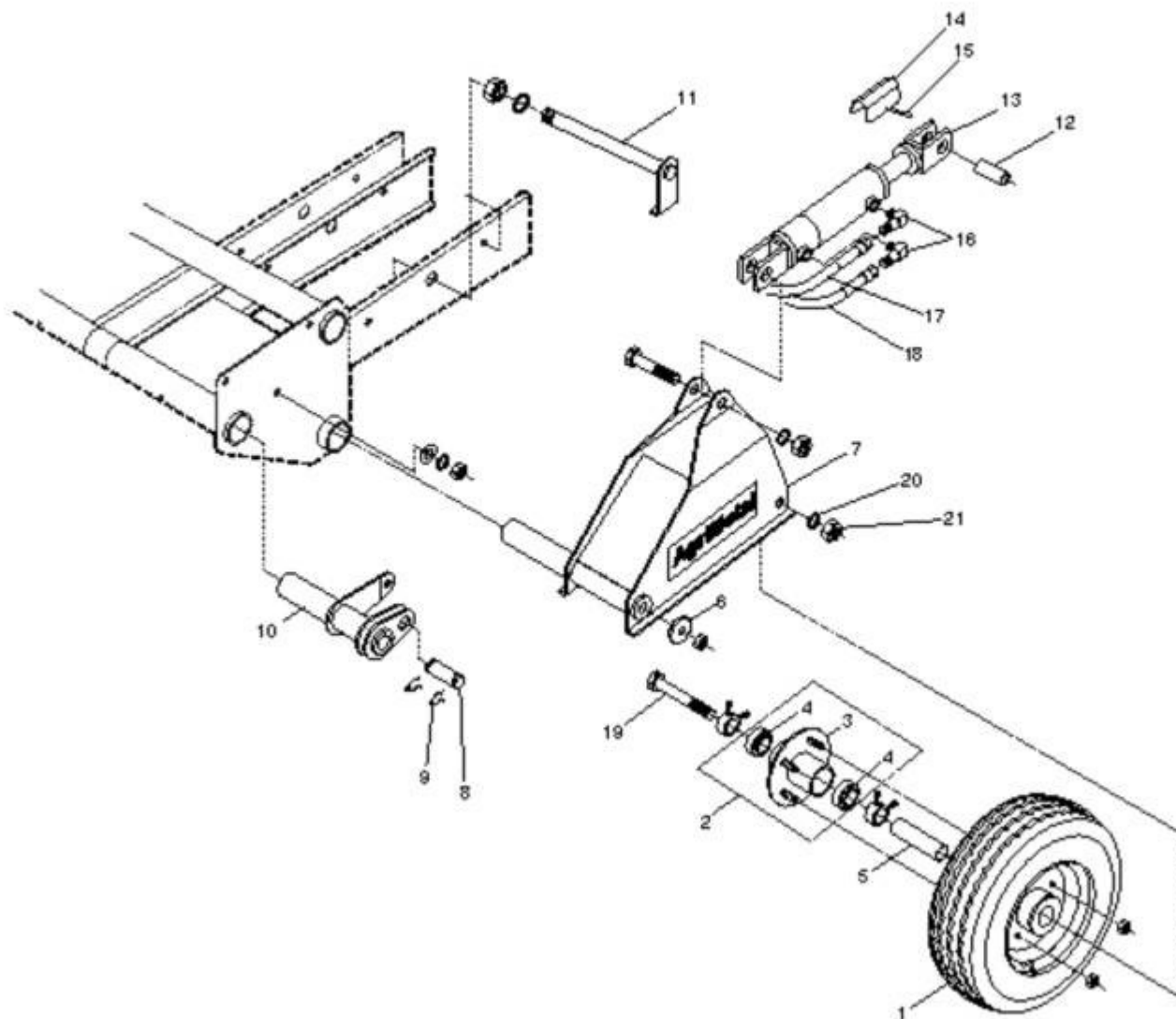


A

FAIRWAY AERATOR (MOD: F.A.720)

REF.	PART NO.	DESCRIPTION	QTE
1	21-50-0005	DRAW BAR	1
2	21-50-0050	HYDRAULIC HOSE SUPPORT	1
3	21-05-2010	DRAW BAR SUPPORT	2
4	21-55-0150	HYDRAULIC HOSE 3/8" Dia. ASSY. (TRACTOR)	2
	21-55-0110	HYDR.HOSE 3/8-H ASSY. 3/8-18 MALE RIG.X 1/2-14 MALE RIG.X 84" LG	1
	NC13-45-0014	QUICK DISCON.COUPLER 1/2"-14 NPTF	1
5	21-55-0130	HYDR.HOSE 3/8-H ASSY. 3/8-18 MALE RIG.X 3/8-18 MALE SWI.X 56" LG	2
6	21-55-0115	HYDR.HOSE 3/8-H ASSY. 3/8-18 MALE RIG.X 3/8-18 MALE SWI.X 50" LG	2
7	NC13-45-0034	T 3/8 FEM. NPT X 3/8 FEM. NPT X 3/8 FEM. NPT	2
8	21-55-0140	HAND PUMP MANUAL ASSY.	1
9	NC13-45-0090	HAND PUMP MANUAL	1
10	NC13-45-0091	UNION 1/2 MÂLE NPT X 1/2 FEM. TOUR. NPSM	1
11	NC13-45-0092	T 1/2 FEM. NPT X 1/2 MÂLE NPT X 1/2 FEM. NPT	1
12	NC13-45-0093	ELBOW 90° 1/2 FEMELLE TOUR.NPT X 3/8 MÂLE NPT	1
13	21-01-7515	MANUAL HYDRAULIC PUMP SUPPORT	1
N/A	21-55-0175	HYDRAULIC PUMP HANDLE ASSY. " HARDWARE INCLUDED"	1
14	21-55-0000	CAST IRON WHEEL ASSY.	12
15	21-43-0000	CAST IRON WHEEL	1
16	21-38-0135	BALL BEARING SCA 205-16 Ø 1"	2
17	21-09-0200	SPACER BALL BEARING 1 1/4" X 1.001" X 3.310" LG	1
18	21-55-0011	CORING TINE 3/4" CLOSED "NUT AND BOLT INCLUDED"	1
19	NC13-20-0007	CORING TINE, 3/4" CLOSED	1/96
20	21-04-0040	SPOON'S HOLDER	1/96
21	NC01-25-0187	HEX.BOLT 7/16"-14 X 2 1/2" LONG (GRADE 5)	1/192
22	NC02-32-0013	LOCK WASHER Ø 7/16"	1/192
23	NC02-07-0019	HEX.NUT 7/16"-14	1/192
24	21-55-0014	SLICING KNIFE "NUT AND BOLT INCLUDED"	1
	NC13-20-0009	SLICING BLADE	1/96
	NC01-25-0187	HEX.BOLT 7/16"-14 X 2 1/2" LONG (GRADE 5)	1/192
	NC02-32-0013	LOCK WASHER Ø 7/16"	1/192
	NC02-07-0019	HEX.NUT 7/16"-14	1/192
25	21-55-0075	HYDRAULIC HOSE HOLDER ASSY.	4
26	21-01-2405	HYDRAULIC HOSE HOLDER	1
27	NC13-15-0014	RUBBER GROMMETS	2
28	21-13-0600	WHEEL SUPPORT ROD	2
29	NC01-90-0007	COUPLING NUT HEX.1/2"-13 X 1 3/4" LG	1
30	21-50-0040	RIGHT WHEEL SUPPORT	1
31	21-50-0035	AERATOR FRAME (F.A.720)	1
32	21-50-0015	WEIGHT TRAYS	6

AERATEUR - AERATOR (F.A. 720)



FAIRWAY AERATOR (MOD: F.A.720)

REF.	PART NO.	DESCRIPTION	QTE
1	NC14-70-0061	ROAD TRACTION WHEEL 6 PLYES X 16" Dia. ASSY.	2
	NC14-70-0064	ROAD TRACTION TIRE 6 PLYES	1
	NC14-70-0056	RIM 851-1	1
	NC14-70-0045	TUBE 400-8	1
2	21-55-0020	WHEEL HUB ASSY.	2
3	21-50-0000	HUB	1
4	NC14-75-0084	BALL BEARING SCA 205-16 Ø 1"	2
5	21-09-1200	WHEEL AXLE BUSHING .999" X .751" X 5.750" LG	1
6	21-13-2800	STOPPER	2
7	21-50-0045	LEFT WHEEL SUPPORT	1
8	NC13-45-0088	PIN	2
9	NC13-45-0087	HAIRPIN COTTERS	4
10	21-50-0030	HYDRAULIC CYLINDRE SUPPORT	2
11	21-50-0020	AXLE	2
12	21-09-1205	BUSHING 1" X 3/4" X 2 1/4" LG	2
13	NC13-45-0076	HYDRAULIC CYLINDER	2
14	21-50-0010	HYDRAULIC CYLINDRER STOPPER	2
15	NC01-63-0027	HITCH PIN CLIPS 7/32" X 4 1/8" LG	2
16	NC13-45-0038	ELBOW 90° 3/8 FEM.NPT X 3/8 MALE NPT	4
17	21-55-0130	HYDR.HOSE 3/8-H ASSY. 3/8-18 MALE RIG.X 3/8-18 MALE SWI.X 56" LG	2
18	21-55-0115	HYDR.HOSE 3/8-H ASSY. 3/8-18 MALE RIG.X 3/8-18 MALE SWI.X 50" LG	2
19	NC01-17-0483	HEX.BOLT 3/4"-10 X 7" LONG (GRADE 2)	2
20	NC02-32-0017	LOCK WASHER Ø 3/4"	2
21	NC02-07-0023	HEX.NUT 3/4"-10	2

STICKER FAIRWAY AERATOR (MOD: F.A.720)

REF.	PART NO.	DESCRIPTION	QTE
	21-58-0005	STICKER KIT (AERATOR F.A.720 T.W.)	1
	03-60-0005	STICKER GREASE GUN	6
	06-60-0000	STICKER AGRIMÉTAL INC "MEDIUM"	2
	15-60-0010	STICKER WARNING HIGH-PRESSURE FLUID HAZARD...	2