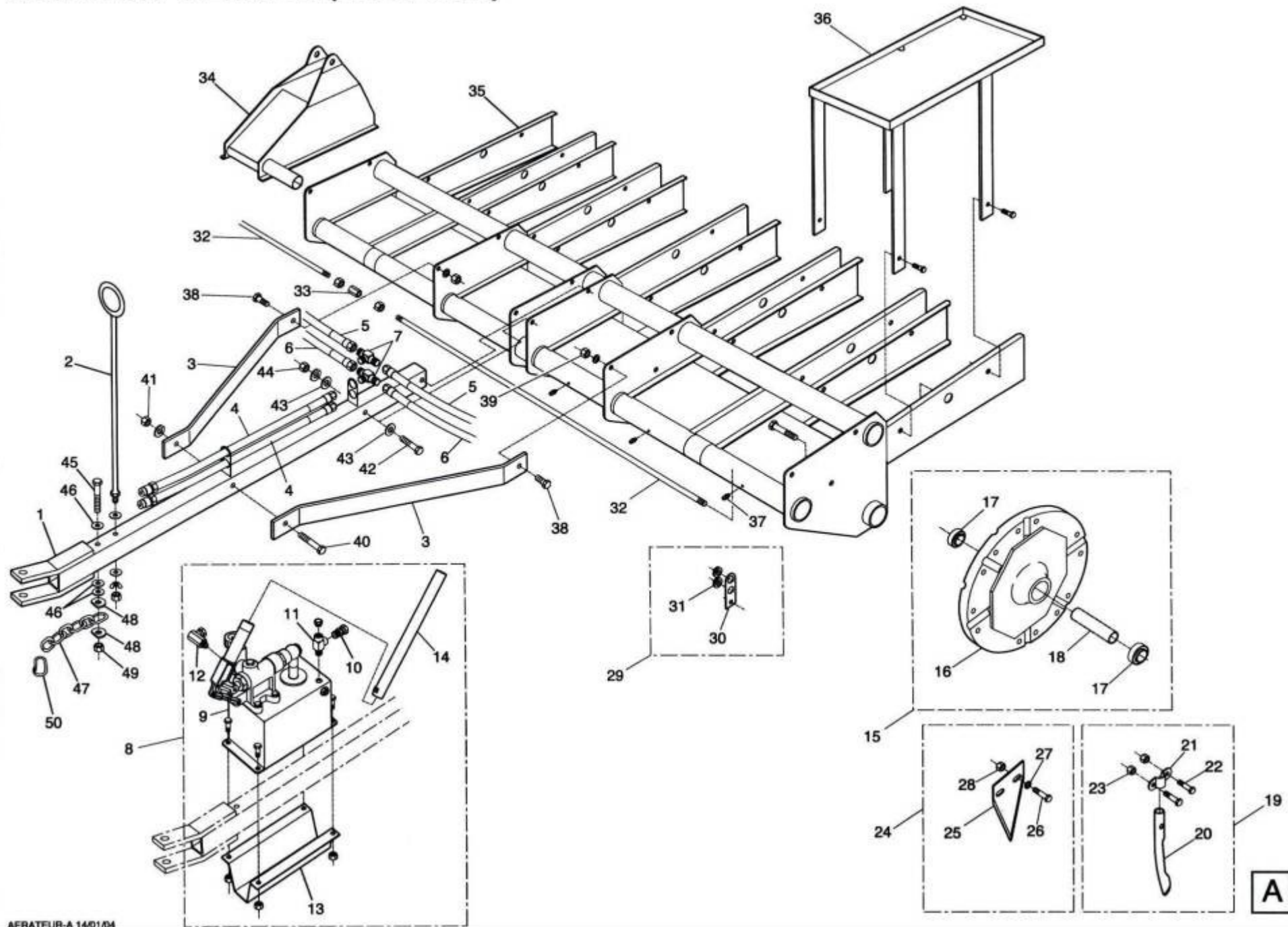


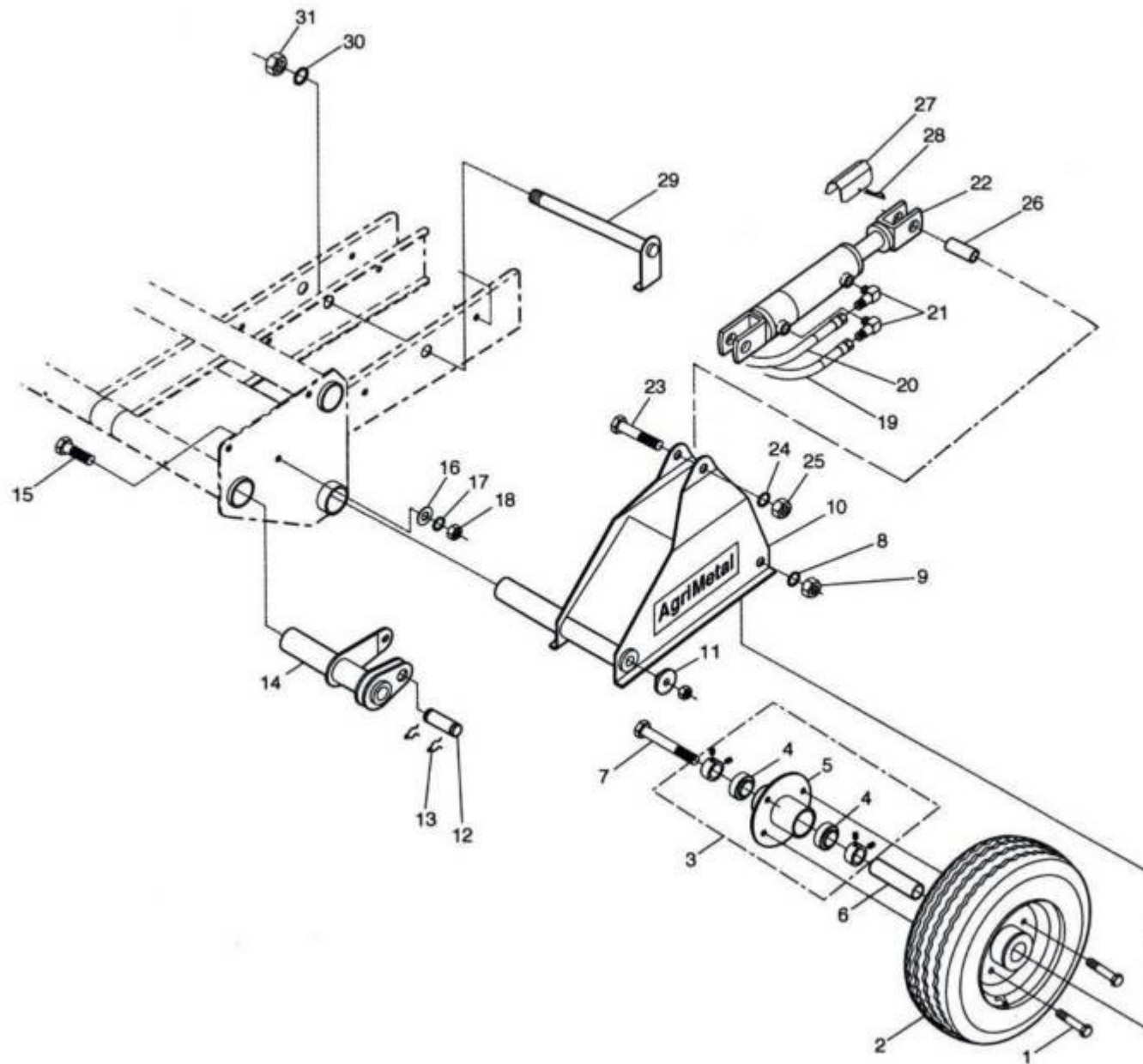
# AERATEUR - AERATOR (F.A. 720 TW)



## FAIRWAY AERATOR MOD: F.A.720 T.W.

REF.	PART NO.	DESCRIPTION	QTE
1	21-50-0005	DRAW BAR	1
2	21-50-0050	HYDRAULIC HOSE SUPPORT	1
3	21-05-2010	DRAW BAR SUPPORT	2
4	21-55-0150	HYDRAULIC HOSE 3/8" Dia. ASSY. (TRACTOR)	2
N/I	21-55-0110	HYDR.HOSE 3/8-H ASSY. 3/8-18 MALE RIG.X 1/2-14 MALE RIG.X 84" LG	2
N/I	NC13-45-0014	QUICK DISCON.COUPLER 1/2"-14 NPTF	2
5	21-55-0130	HYDR.HOSE 3/8-H ASSY. 3/8-18 MALE RIG.X 3/8-18 MALE SWI.X 56" LG	2
6	21-55-0115	HYDR.HOSE 3/8-H ASSY. 3/8-18 MALE RIG.X 3/8-18 MALE SWI.X 50" LG	2
7	NC13-45-0034	T 3/8 FEM. NPT X 3/8 FEM. NPT X 3/8 FEM. NPT	2
8	21-55-0140	HAND PUMP MANUAL ASSY.	1
9	NC13-45-0090	HAND PUMP MANUAL	1
10	NC13-45-0091	UNION 1/2 MÂLE NPT X 1/2 FEM. TOUR. NPSM	1
11	NC13-45-0092	T 1/2 FEM. NPT X 1/2 MÂLE NPT X 1/2 FEM. NPT	1
12	NC13-45-0093	ELBOW 90° 1/2 FEMELLE TOUR.NPT X 3/8 MÂLE NPT	1
13	21-01-7515	MANUAL HYDRAULIC PUMP SUPPORT	1
14	21-55-0175	HYDRAULIC PUMP HANDLE ASSY. " HARDWARE INCLUDED"	1
15	21-55-0000	CAST IRON WHEEL ASSY.	12
16	21-43-0000	CAST IRON WHEEL	12
17	21-38-0135	BALL BEARING SCA 205-16 Ø 1"	24
18	21-09-0200	SPACER BALL BEARING 1 1/4" X 1.001" X 3.310" LG	12
19	21-55-0011	CORING TINE 3/4" CLOSED "NUT AND BOLT INCLUDED"	96
20	NC13-20-0007	CORING TINE, 3/4" CLOSED	96
21	21-04-0040	SPOON'S HOLDER	96
22	NC01-29-0185	HEX.BOLTS (GRADE 5) 7/16"-20 X 2 1/4" LG	192
23	NC01-94-0012	LOCKNUTS 7/16"-20	192
24	21-55-0014	SLICING KNIFE "NUT AND BOLT INCLUDED"	96
25	NC13-20-0009	SLICING BLADE	96
26	NC01-29-0187	HEX.BOLT (GRADE 5) 7/16"-20 X 2 1/2" LG	192
27	01-01-0925	FLAT WASHER 1 1/64" Dia. X Ø 33/64" X 10GA	192
28	NC01-94-0012	LOCKNUTS 7/16"-20	192
29	21-55-0075	HYDRAULIC HOSE HOLDER ASSY.	4
30	21-01-2405	HYDRAULIC HOSE HOLDER	4
31	NC13-15-0014	RUBBER GROMMETS	12
32	21-13-0600	WHEEL SUPPORT ROD	2
33	NC01-90-0007	COUPLING NUT HEX.1/2"-13 X 1 3/4" LG	1
34	21-50-0040	RIGHT WHEEL SUPPORT	1
35	21-50-0035	AERATOR FRAME (F.A.720)	1
36	21-50-0015	WEIGHT TRAYS	6
37	NC01-69-0785	GREASE FITTING 1/4"-28 (STRAIGHT)	8
38	NC01-29-0249	HEX.BOLT 1/2"-20 X 1 1/2 (GRADE 5)	2
39	NC02-10-0020	HEX.NUT 1/2"-20	2
40	NC01-29-0257	HEX.BOLT 1/2"-20 X 3 1/2" LG (GRADE 5)	1
41	NC02-10-0020	HEX.NUT 1/2"-20	1
42	NC01-29-0257	HEX.BOLT 1/2"-20 X 3 1/2" LG (GRADE 5)	2
43	01-01-0925	FLAT WASHER 1 1/64" Dia. X Ø 33/64" X 10GA	4
44	NC02-10-0020	HEX.NUT 1/2"-20	2
45	NC01-29-0258	HEX.BOLT 1/2"-20 X 3 3/4" LG (GRADE 5)	1
46	01-01-0925	FLAT WASHER 1 1/64" Dia. X Ø 33/64" X 10GA	3
47	21-41-0000	SAFETY CHAIN	1
48	21-01-0935	FLAT WASHER 1 1/64" Dia. X Ø 33/64" (SPECIAL)	2
49	NC01-97-0008	NYLON INSERT LOCKNUTS 1/2"-20	1
50	NC01-75-0015	RAPID LINK 5/16"	1

# AERATEUR - AERATOR (F.A. 720 TW)



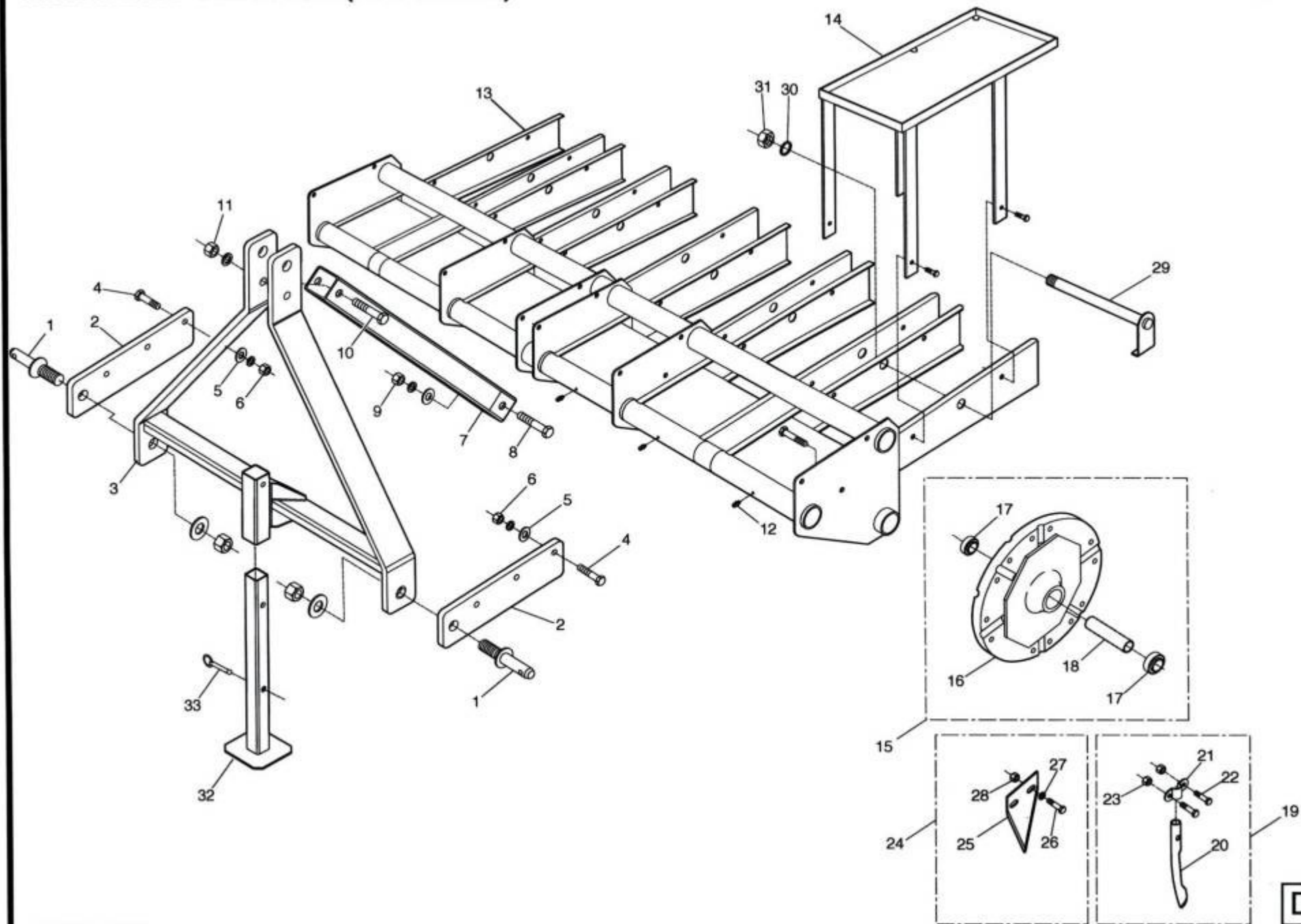
## FAIRWAY AERATOR MOD: F.A.720 T.W.

REF.	PART NO.	DESCRIPTION	QTE
1	NC01-53-0248	WHEEL BOLT 1/2"-20 X 1 5/8" LG (GRADE 5)	8
2	NC14-70-0061	ROAD TRACTION WHEEL 6 PLYS X 16" Dia. ASSY.	2
N/I	NC14-70-0064	ROAD TRACTION TIRE 6 PLYS	2
N/I	NC14-70-0056	RIM 851-1	2
N/I	NC14-70-0045	TUBE 400-8	2
3	21-55-0020	WHEEL HUB ASSY.	2
4	NC14-75-0084	BALL BEARING SCA 205-16 Ø 1"	4
5	21-50-0000	HUB	2
6	21-09-1200	WHEEL AXLE BUSHING .999" X .751" X 5.750" LG	2
7	NC01-17-0483	HEX.BOLT 3/4"-10 X 7" LONG (GRADE 2)	2
8	NC02-32-0017	LOCK WASHER Ø 3/4"	2
9	NC02-07-0023	HEX.NUT 3/4"-10	2
10	21-50-0045	LEFT WHEEL SUPPORT	1
11	21-13-2800	STOPPER	2
12	NC13-45-0088	PIN	2
13	NC13-45-0087	HAIRPIN COTTERS	4
14	21-50-0030	HYDRAULIC CYLINDRE SUPPORT	2
15	NC01-17-0394	HEX. BOLT 5/8"-11 X 1 1/2" LONG (GRADE 2)	2
16	NC02-22-0014	FLAT WASHER 1 1/2" Dia. X Ø 5/8" X 3/32"	2
17	NC02-32-0016	LOCK WASHER Ø 5/8"	2
18	NC02-07-0022	HEX. NUT 5/8"-11	2
19	21-55-0115	HYDR.HOSE 3/8-H ASSY. 3/8-18 MALE RIG.X 3/8-18 MALE SWI.X 50" LG	2
20	21-55-0130	HYDR.HOSE 3/8-H ASSY. 3/8-18 MALE RIG.X 3/8-18 MALE SWI.X 56" LG	2
21	NC13-45-0038	ELBOW 90° 3/8 FEM.NPT X 3/8 MALE NPT	4
22	NC13-45-0076	HYDRAULIC CYLINDER	2
23	NC01-17-0475	HEX.BOLT 3/4"-10 X 3 1/2" LG (GRADE 2)	2
24	NC02-32-0017	LOCK WASHER Ø 3/4"	2
25	NC02-07-0023	HEX.NUT 3/4"-10	2
26	21-09-1205	BUSHING 1" X 3/4" X 2 1/4" LG	2
27	21-50-0010	HYDRAULIC CYLINDRER STOPPER	2
28	NC01-63-0027	HITCH PIN CLIPS 7/32" X 4 1/8" LG	2
29	21-50-0020	AXLE	6
30	NC02-32-0019	LOCK WASHERS Ø 1"	2
31	NC02-10-0025	HEX. NUT 1"-14	2

**STICKER MOD: F.A.720 T.W.**

<b>REF.</b>	<b>PART NO.</b>	<b>DESCRIPTION</b>	<b>QTE</b>
N/I	21-58-0005	STICKER KIT (AERATOR F.A.720 T.W.)	1
N/I	06-60-0000	STICKER AGRIMÉTAL INC "MEDIUM"	2
N/I	03-60-0005	STICKER GREASE GUN	8
N/I	NC13-33-0117	STICKER CAUTION / ATTENTION READ OPERATOR'S MANUEL BEFORE STARTING.	1
N/I	NC13-33-0118	STICKER WARNING / AVERTISSEMENT FALLING HAZARD NO RIDERS ...	2

# AERATEUR - AERATOR (F.A. 720 TP)



## FAIRWAY AERATOR MOD: F.A.720 T.P.

REF.	PART NO.	DESCRIPTION	QTE
1	NC01-78-0002	HITCH PIN	2
2	21-05-2500	TRIANGLE SUPPORT	2
3	21-50-0065	TRIANGLE	1
4	NC01-29-0249	HEX.BOLT 1/2"-20 X 1 1/2 (GRADE 5)	6
5	01-01-0925	FLAT WASHER 1 1/64" Dia. X Ø 33/64" X 10GA	6
6	NC02-10-0020	HEX.NUT 1/2"-20	6
7	21-07-1005	TRIANGLE TUBE	1
8	NC01-29-0402	HEX.BOLT 5/8"-18 X 3 1/2" LG (GRADE 5)	1
9	NC02-10-0022	HEX.NUT 5/8"-18	1
10	NC01-29-0404	HEX.BOLT 5/8"-18 X 4" LG (GRADE 5)	1
11	NC02-10-0022	HEX.NUT 5/8"-18	1
12	NC01-69-0785	GREASE FITTING 1/4"-28 (STRAIGHT)	6
13	21-50-0035	AERATOR FRAME (F.A.720)	1
14	21-50-0015	WEIGHT TRAYS	6
15	21-55-0000	CAST IRON WHEEL ASSY.	12
16	21-43-0000	CAST IRON WHEEL	12
17	21-38-0135	BALL BEARING SCA 205-16 Ø 1"	24
18	21-09-0200	SPACER BALL BEARING 1 1/4" X 1.001" X 3.310" LG	12
19	21-55-0011	CORING TINE 3/4" CLOSED "NUT AND BOLT INCLUDED"	96
20	NC13-20-0007	CORING TINE, 3/4" CLOSED	96
21	21-04-0040	SPOON'S HOLDER	96
22	NC01-29-0185	HEX.BOLTS (GRADE 5) 7/16"-20 X 2 1/4" LG	192
23	NC01-94-0012	LOCKNUTS 7/16"-20	192
24	21-55-0014	SLICING KNIFE "NUT AND BOLT INCLUDED"	96
25	NC13-20-0009	SLICING BLADE	96
26	NC01-29-0187	HEX.BOLT (GRADE 5) 7/16"-20 X 2 1/2" LG	192
27	01-01-0925	FLAT WASHER 1 1/64" Dia. X Ø 33/64" X 10GA	192
28	NC01-94-0012	LOCKNUTS 7/16"-20	192
29	21-50-0020	AXLE	6
30	NC02-32-0019	LOCK WASHERS Ø 1"	6
31	NC02-10-0025	HEX. NUT 1"-14	6
32	21-50-0070	HITCH SUPPORT (FA 720)	1
33	NC01-69-1200	QUICK RELEASE PIN 3/8" Dia.	1

**STICKER MOD: F.A.720 T.P.**

<b>REF.</b>	<b>PART NO.</b>	<b>DESCRIPTION</b>	<b>QTE</b>
N/I	21-58-0007	STICKER KIT (AERATOR F.A.720 T.P.)	1
N/I	01-60-0005	STICKER AGRIMÉTAL INC "SMALL"	2
N/I	03-60-0005	STICKER GREASE GUN	6
N/I	NC13-33-0118	STICKER WARNING / AVERTISSEMENT FALLING HAZARD NO RIDERS ...	2
N/I	NC13-33-0117	STICKER CAUTION / ATTENTION READ OPERATOR'S MANUEL BEFORE STARTING.	1