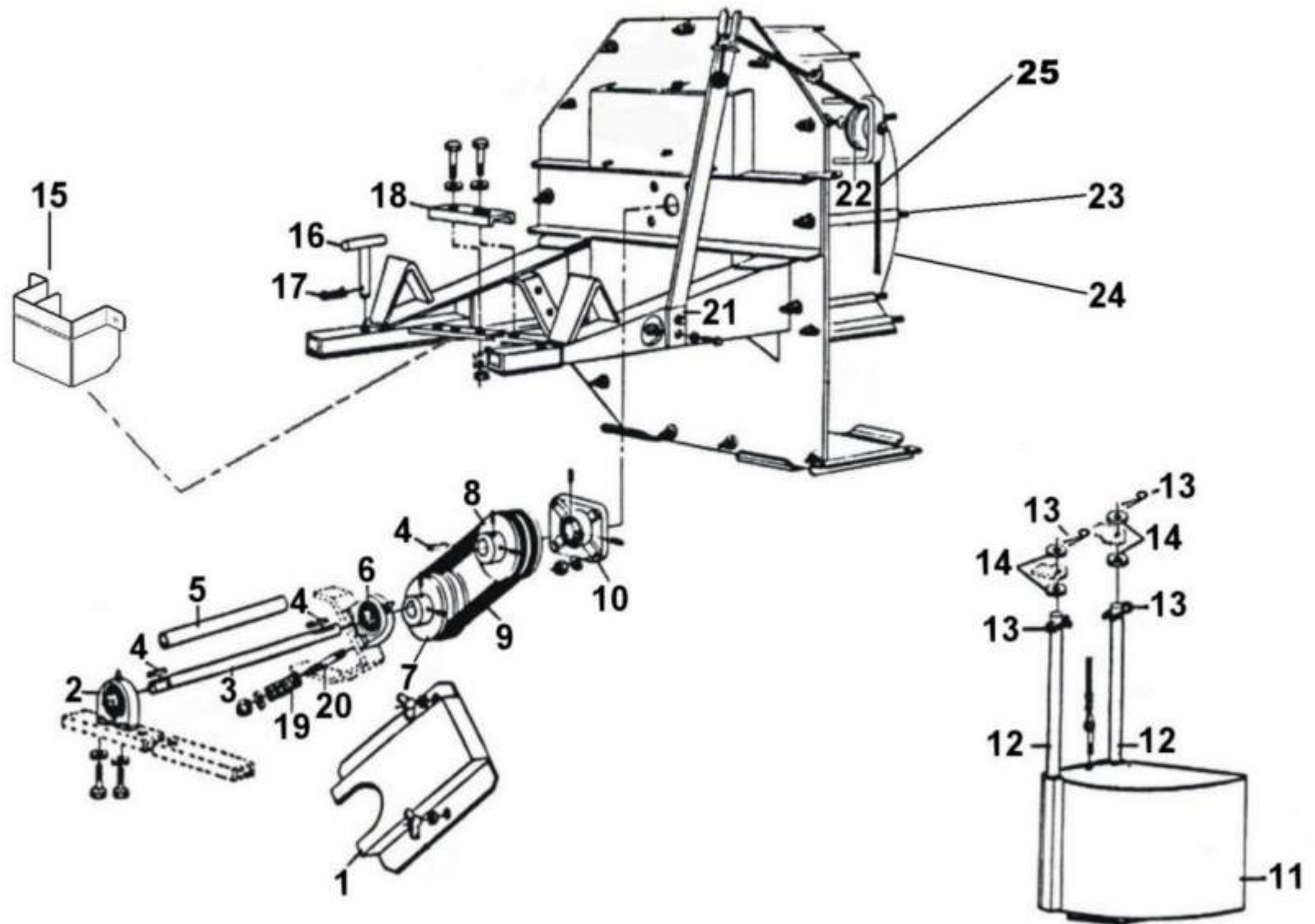


# 12 BW 240 J.D.-2

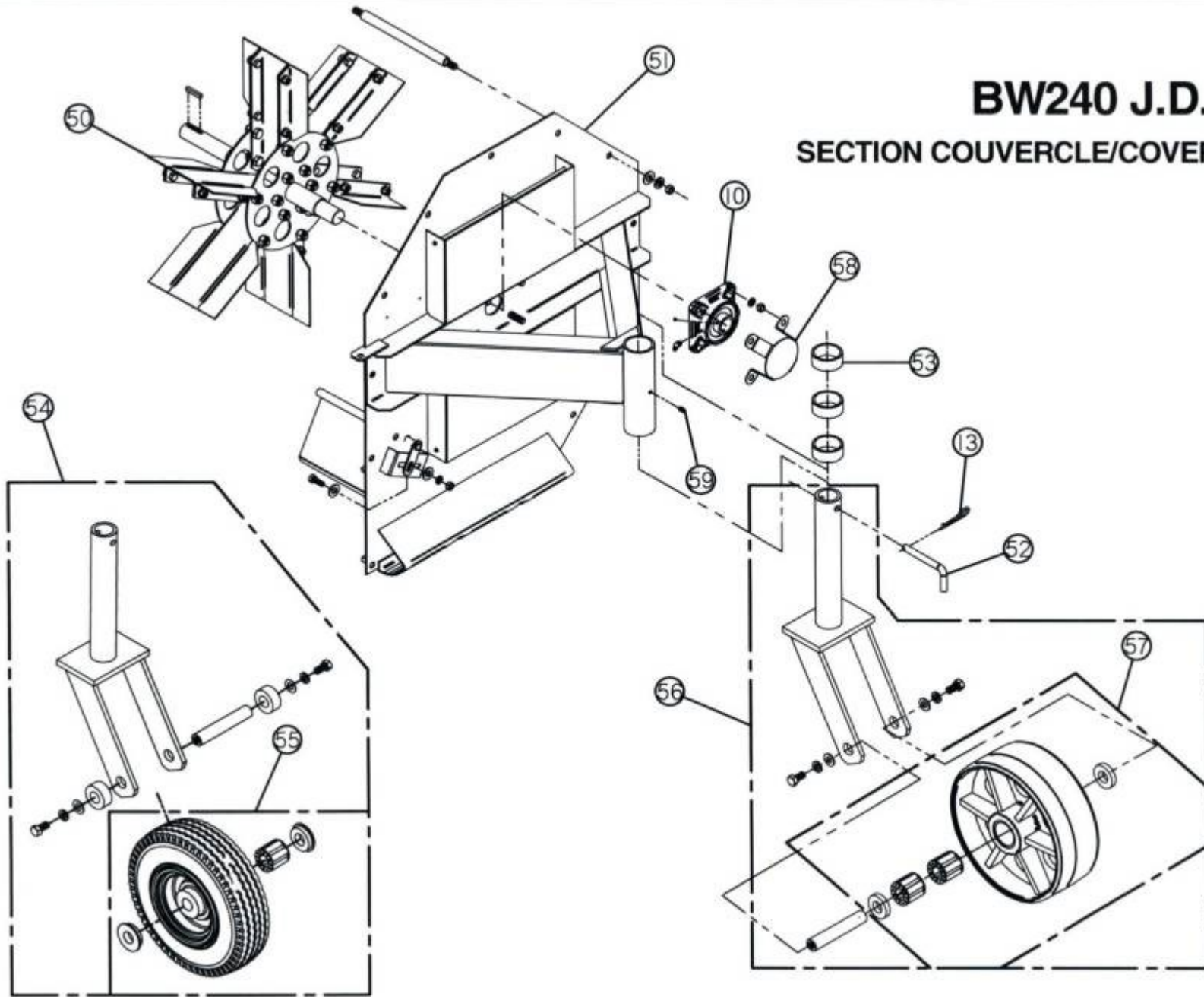


## B.W. 240 JD-2

REF.	PART NO.	DESCRIPTION	QTE
1	12-55-1105	BELT GUARD "STICKER INCLUDED"	1
2	NC14-75-0037	PILLOW BEARING Ø 1" UCPA 205-16	1
3	12-20-0100	INPUT SHAFT 1" Dia. X 19 1/2" LONG	1
4	01-41-0910	SQUARE KEY 1/4" X 1/4" X 1 1/2" LG	3
5	12-42-0005	GUARD FOR INPUT SHAFT 1" D.I. X 12 1/2" LG	1
6	12-38-0015	PILLOW BEARING UCPA 205-16 X Ø 1" (SPECIAL)	1
7	NC14-62-0073	PULLEY 2MB50 X Ø 1" KW 1/4" 2SS 5/16"-18	1
8	NC14-62-0075	PULLEY 2MB50 X Ø 1 1/4" KW 1/4" 2SS 5/16"	1
9	NC14-25-0894	BEFORE -11/04 #00000- V-BELT 6933 (5/8" X 33")	2
N/I	NC14-25-1069	AFTER -11/04 #00000- V BELT BX-30 (5/8" X 33")	2
10	12-38-0001	FLANGE BEARING 4 Ø UCF 207-20 X Ø 1 1/4" (GREASE FITTING 1/4"-28)	2
11	12-55-1100	DEFLECTOR RIGHT "STICKER INCLUDED"	1
12	12-13-0600	SLIDE FOR CHUTE 1/2" Dia. X 22" LG	2
13	NC01-63-0015	HITCH PIN CLIPS 1/8" X 2 5/8" LG	5
14	NC02-25-0011	FLAT WASHER Ø 17/32"	4
15	12-55-1125	PTO SHAFT GUARD (STICKER INCLUDED)	1
16	12-50-1005	T HITCH PIN	2
17	NC01-63-0026	HITCH PIN CLIPS 5/32" X 3" LG	2
18	12-04-0060	CROSS MEMBER UNION	1
19	NC13-86-0046	BLUE SPRING 1/2" X Ø 1" X 2" LONG	2
20	12-30-9955	TIGHTENER BOLT FOR BEARING 1/2"-13 X 4" LG	2
21	12-50-1035	CABLE SQUEEZER SUPPORT	1
22	12-42-0100	U.H.M.W. IDLER PULLEY 4" Dia. X 1 1/4" THICK	1
23	12-13-1015	UNION FOR CASING AND COVER 3/4" Dia. X 11" LG	14
24	12-50-1000	CASING	1
25	12-55-1004	BEFORE -11/93 #13175- DEFLECTOR CABLE 41" LG ASSY.	1
N/I	NC17-02-0138	AFTER -11/93 #13175- CABLE 45 1/4" LG ASSY.	1
	-----		
N/I	12-51-0015	TURF ROLLER BRACKETS LEFT	1
N/I	12-51-0017	TURF ROLLER BRACKETS RIGTH	1
N/I	12-13-1035	SHAFT 3/4" Dia. X 20" LG	1
N/I	12-55-1050	TURF ROLLER ASSY.	1
N/I	12-11-3520	TURF ROLLER ONLY 4" Dia. X 14 7/8" LG	1
N/I	12-42-0020	NYLON CAP 4" Dia. X 4" LG	2
N/I	NC01-63-0026	HITCH PIN CLIPS 5/32" X 3" LG	1

# BW240 J.D.-2

## SECTION COUVERCLE/COVER SECTION



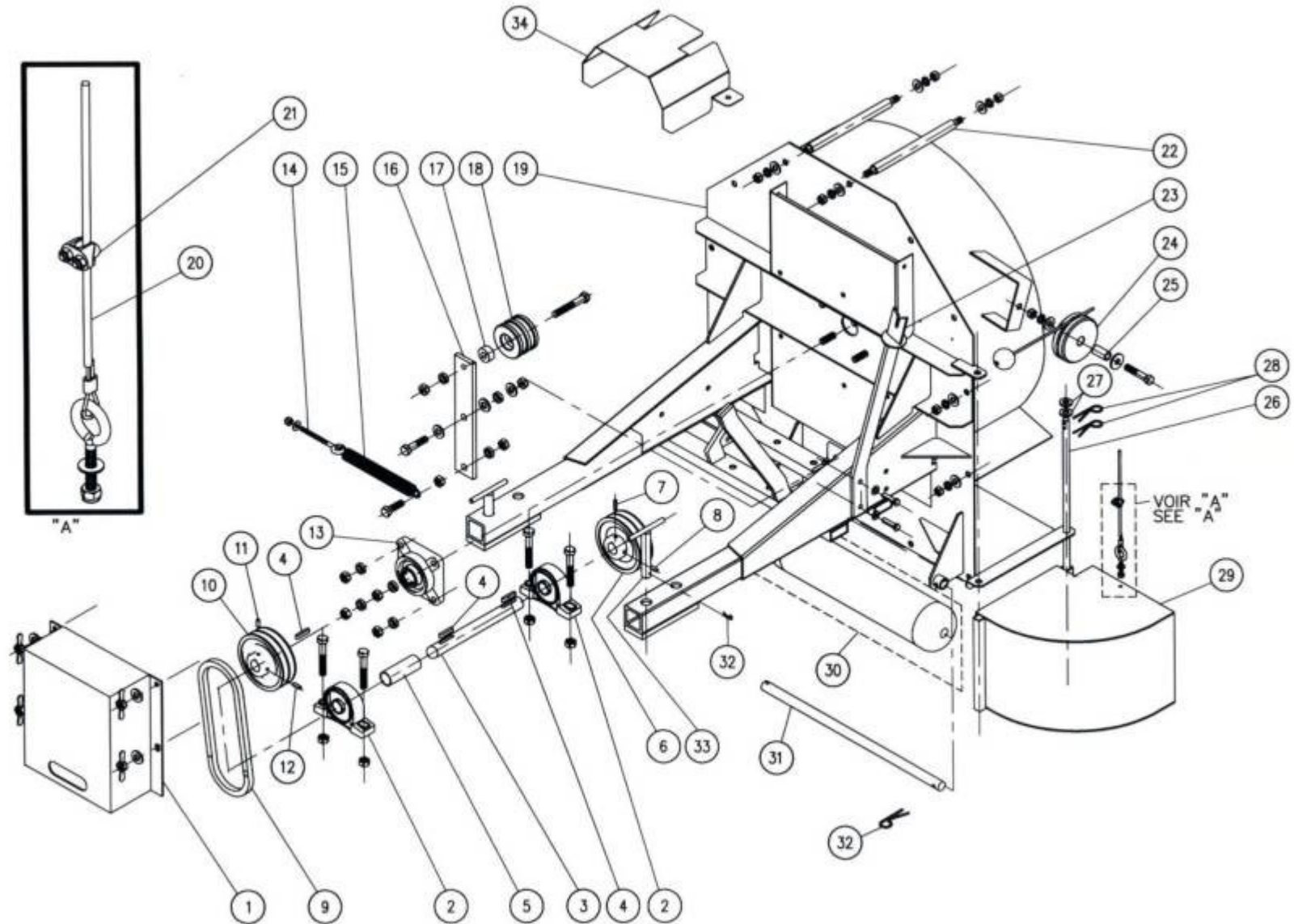
## B.W. 240 JD-2

REF.	PART NO.	DESCRIPTION	QTE
10	12-38-0001	FLANGE BEARING 4 Ø UCF 207-20 X Ø 1 1/4" (GREASE FITTING 1/4"-28)	2
13	NC01-63-0015	HITCH PIN CLIPS 1/8" X 2 5/8" LG	5
50	12-50-1015	IMPELLER	1
51	12-50-1010	COVER	1
52	12-30-9950	PIN 1/2" X 6" LG	1
53	12-10-0800	BUSHING 2 3/8" X 2" X 1" LG	3
54	12-55-1066	BEFORE -07/01 #21920- SWIVEEL WHEEL CASTER ASSY. (MODEL OLD)	1
N/I	12-55-2555	SWIVEL CASTER "STICKER INCLUDED"	1
N/I	NC14-70-0024	BEFORE -07/01 #21920- WHEEL 12 Dia. ASSY.	1
N/I	12-13-1405	BEFORE -07/01 #21920- WHEEL AXLE 1" Dia. X 5 5/8" LG	1
N/I	04-42-0135	BEFORE -07/01 #21920- AXLE BUSHING 2" Dia. X 7/8" LG	2
N/I	NC01-17-0247	BEFORE -07/01 #21920- HEX.BOLT 1/2"-13 X 1" LG (GRADE 2 )	2
N/I	NC02-32-0014	BEFORE -07/01 #21920- LOCK WASHER Ø 1/2"	2
N/I	NC02-22-0012	BEFORE -07/01 #21920- FLAT WASHER ORD. Ø 9/16"	2
55	NC14-70-0024	BEFORE -07/01 #21920- WHEEL 12 Dia. ASSY.	1
N/I	NC14-70-0047	BEFORE -07/01 #21920- TIRE	1
N/I	NC14-70-0037	BEFORE -07/01 #21920- RIM	1
N/I	NC14-70-0028	BEFORE -07/01 #21920- TUBE	1
N/I	NC14-70-0027	BEFORE -07/01 #21920- ROLLER BEARING	1
N/I	04-13-3400	BEFORE -07/01 #21920- SHOULDER BUSHING 2 3/8" Dia. X Ø 1 1/64" X 1/2" LG	2
N/I	NC01-69-0785	BEFORE -07/01 #21920- GREASE FITTING 1/4"-28 (STRAIGHT)	2
56	12-55-1067	AFTER -07/01 #21920- SWIVEEL WHEEL CASTER ASSY. (MODEL NEW 2001)	1
N/I	12-55-2555	SWIVEL CASTER "STICKER INCLUDED"	1
N/I	12-55-0049	AFTER -07/01 #21920- U.H.M.W. BLACK WHEEL ASSY.	1
N/I	12-13-1405	AFTER -07/01 #21920- WHEEL AXLE 1" Dia. X 5 5/8" LG	1
N/I	12-42-0105	AFTER -07/01 #21920- PLASTIC WHEEL BUSHING (2" DIA. X .420" LG)	2
N/I	NC01-17-0247	AFTER -07/01 #21920- HEX.BOLT 1/2"-13 X 1" LG (GRADE 2 )	2
N/I	NC02-32-0014	AFTER -07/01 #21920- LOCK WASHER Ø 1/2"	2
N/I	NC02-22-0012	AFTER -07/01 #21920- FLAT WASHER ORD. Ø 9/16"	2
57	12-55-0049	AFTER -07/01 #21920- U.H.M.W. BLACK WHEEL ASSY.	1
N/I	12-55-0048	AFTER -07/01 #21920- U.H.M.W. BLACK WHEEL	1
N/I	NC14-70-0027	AFTER -07/01 #21920- ROLLER BEARING	2
N/I	12-42-0105	AFTER -07/01 #21920- PLASTIC WHEEL BUSHING (2" DIA. X .420" LG)	2
N/I	NC01-69-0785	AFTER -07/01 #21920- GREASE FITTING 1/4"-28 (STRAIGHT)	2
58	12-01-3051	BEARING PROTECTOR (BW 240)	1
59	NC01-69-0785	GREASE FITTING 1/4"-28 (STRAIGHT)	1

## STICKER B.W. 240 JD-2

REF.	PART NO.	DESCRIPTION	QTE
N/I	12-58-1001	STICKER KIT (BW 240 ALL MODELS)	1
N/I	01-60-0005	STICKER AGRIMÉ TAL INC "SMALL"	2
N/I	01-60-0070	STICKER WARNING MISSING SHIELD HAZARD...	1
N/I	01-60-0115	STICKER WARNING ROTATING PART HAZARD...	1
N/I	03-60-0005	STICKER GREASE GUN	2
N/I	06-60-0000	STICKER AGRIMÉ TAL INC "MEDIUM"	2
N/I	01-60-0125	STICKER WARNING KEEP ALL GUARDS AND SHIELDS IN PLACE...	1
N/I	NC13-33-0108	STICKER CAUTION / READ OPERATOR'S MANUAL BEFORE STARTING...	1
N/I	NC13-33-0112	STICKER DANGER BLOWER BLADE HAZARD...	2
N/I	NC13-33-0110	STICKER DANGER THROWN OBJECT HAZARD...	3

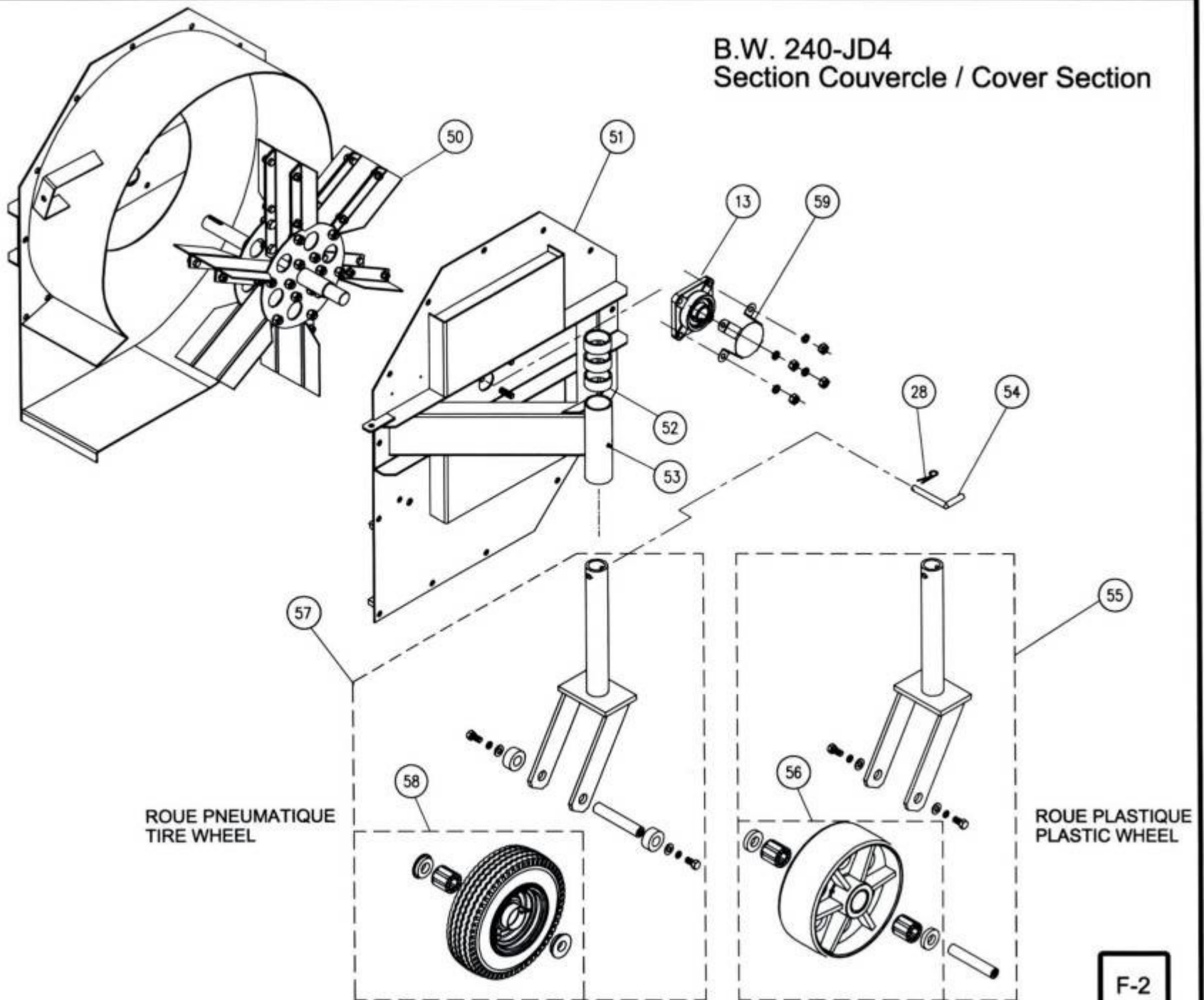
**B.W. 240-JD4**  
**Section Boitier / Housing Section**



## B.W. 240 JD-4

REF.	PART NO.	DESCRIPTION	QTE
1	12-55-1510	BELT GUARD (STICKER INCLUDED)	1
2	NC14-75-0033	PILLOW BLOC BEARING	2
3	12-20-0120	INPUT SHAFT 1" Dia. X 11 1/2" LG	1
4	01-41-0910	SQUARE KEY 1/4" X 1/4" X 1 1/2" LG	3
5	12-42-0010	GUARD FOR INPUT SHAFT 1" D.I. X 4 3/8" LG	1
6	NC14-62-0073	PULLEY 2MB50 X Ø 1" KW 1/4" 2SS 5/16"-18	1
7	NC02-44-0103	ALLENS SET SCREW 5/16"-18 X 3/8" LG	1
8	NC02-44-0103	ALLENS SET SCREW 5/16"-18 X 3/8" LG	1
9	NC14-25-0894	V-BELT 6933 (5/8" X 33")	2
10	NC14-62-0075	PULLEY 2MB50 X Ø 1 1/4" KW 1/4" 2SS 5/16"	1
11	NC02-44-0103	ALLENS SET SCREW 5/16"-18 X 3/8" LG	1
12	NC02-44-0103	ALLENS SET SCREW 5/16"-18 X 3/8" LG	1
13	12-38-0001	FLANGE BEARING 4 Ø UCF 207-20 X Ø 1 1/4" (GREASE FITTING 1/4"-28)	2
14	NC01-52-0014	EYE BOLT 3/8"-16 X 5" LG	1
15	NC13-85-0014	SPRING 1" DIA. X 9" LG	1
16	12-05-2010	BELT TIGHTENER	1
17	12-09-1200	BUSHING 1" X 1/2" X 1/2" LONG	1
18	03-55-0045	IDLER PULLEY 3" Dia. X 1 3/4" LG ASSY.	1
N/I	03-21-0005	IDLER PULLEY ALUMINIUM ONLY	1
N/I	NC14-75-0068	BEARING #99502H	2
N/I	NC13-80-0061	BUSHING 5/8" X 1/2" X 3/8"	2
N/I	NC01-64-0142	RETAINING RINGS INTERNAL FOR Ø 1 3/8"	1
19	12-50-1045	CASING RIGHT	1
20	NC17-02-0138	CABLE 45 1/4" LG ASSY.	1
21	NC01-81-0001	MALLEABLE CLIPS 1/8"	2
22	12-13-1015	UNION FOR CASING AND COVER 3/4" Dia. X 11" LG	14
23	12-50-1035	CABLE SQUEEZER SUPPORT	1
24	12-42-0100	U.H.M.W. IDLER PULLEY 4" Dia. X 1 1/4" THICK	1
25	12-09-0100	BUSHING 3/4" Dia. X Ø 1/2" X 1 5/16" LG	1
26	12-13-0600	SLIDE FOR CHUTE 1/2" Dia. X 22" LG	2
27	NC02-25-0011	FLAT WASHER Ø 17/32"	4
28	NC01-63-0015	HITCH PIN CLIPS 1/8" X 2 5/8" LG	5
29	12-55-1100	DEFLECTOR RIGHT "STICKER INCLUDED"	1
30	12-55-1050	TURF ROLLER ASSY.	1
N/I	12-11-3520	TURF ROLLER ONLY 4" Dia. X 14 7/8" LG	1
N/I	12-42-0020	NYLON CAP 4" Dia. X 4" LG	2
31	12-13-1035	SHAFT 3/4" Dia. X 20" LG	1
32	NC01-63-0026	HITCH PIN CLIPS 5/32" X 3" LG	3
33	12-50-1005	T HITCH PIN	2
34	12-55-1120	PTO SHAFT GUARD (STICKER INCLUDED)	1

B.W. 240-JD4  
Section Couverture / Cover Section



ROUE PNEUMATIQUE  
TIRE WHEEL

ROUE PLASTIQUE  
PLASTIC WHEEL



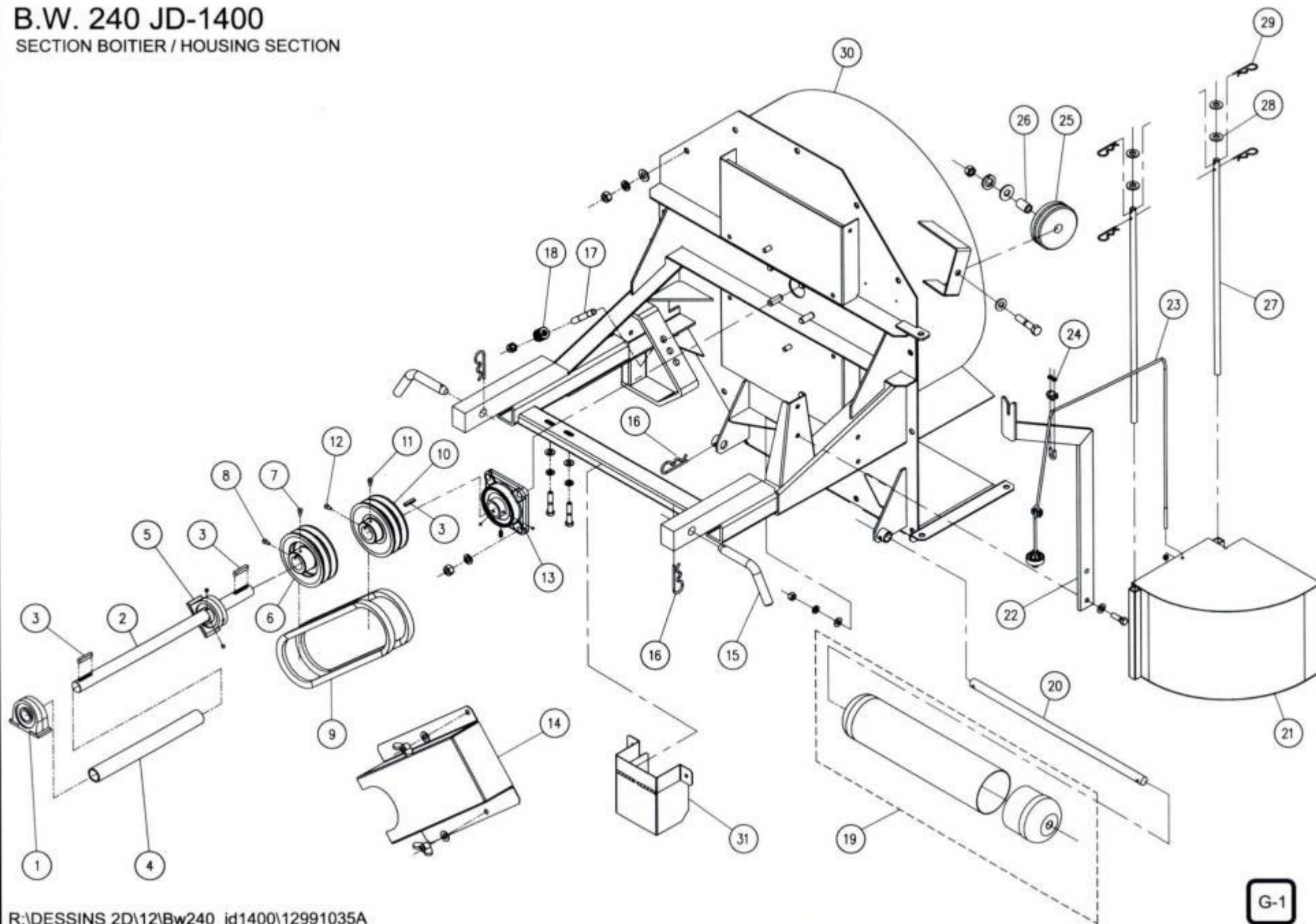
## B.W. 240 JD-4

REF.	PART NO.	DESCRIPTION	QTE
13	12-38-0001	FLANGE BEARING 4 Ø UCF 207-20 X Ø 1 1/4" (GREASE FITTING 1/4"-28)	2
28	NC01-63-0015	HITCH PIN CLIPS 1/8" X 2 5/8" LG	5
50	12-50-1015	IMPELLER	1
51	12-50-1010	COVER	1
52	12-10-0800	BUSHING 2 3/8" X 2" X 1" LG	3
53	NC01-69-0785	GREASE FITTING 1/4"-28 (STRAIGHT)	1
54	12-30-9950	PIN 1/2" X 6" LG	1
55	12-55-1067	AFTER -09/01 #22170- SWIVEEL WHEEL CASTER ASSY. (MODEL NEW 2001)	1
N/I	12-55-2555	SWIVEL CASTER "STICKER INCLUDED"	1
N/I	12-55-0049	AFTER -09/01 #22170- U.H.M.W. BLACK WHEEL ASSY.	1
N/I	12-13-1405	AFTER -09/01 #22170- WHEEL AXLE 1" Dia. X 5 5/8" LG	1
N/I	12-42-0105	AFTER -09/01 #22170- PLASTIC WHEEL BUSHING (2" DIA. X .420" LG)	2
N/I	NC01-17-0247	AFTER -09/01 #22170- HEX.BOLT 1/2"-13 X 1" LG (GRADE 2 )	2
N/I	NC02-32-0014	AFTER -09/01 #22170- LOCK WASHER Ø 1/2"	2
N/I	NC02-22-0012	AFTER -09/01 #22170- FLAT WASHER ORD. Ø 9/16"	2
56	12-55-0049	AFTER -09/01 #22170- U.H.M.W. BLACK WHEEL ASSY.	1
N/I	12-55-0048	AFTER -09/01 #22170- U.H.M.W. BLACK WHEEL	1
N/I	NC14-70-0027	AFTER -09/01 #22170- ROLLER BEARING	2
N/I	12-42-0105	AFTER -09/01 #22170- PLASTIC WHEEL BUSHING (2" DIA. X .420" LG)	2
N/I	NC01-69-0785	AFTER -09/01 #22170- GREASE FITTING 1/4"-28 (STRAIGHT)	2
57	12-55-1066	BEFORE -09/01 #22170- SWIVEEL WHEEL CASTER ASSY. (MODEL OLD)	1
N/I	12-55-2555	SWIVEL CASTER "STICKER INCLUDED"	1
N/I	NC14-70-0024	BEFORE -09/01 #22170- WHEEL 12 Dia. ASSY.	1
N/I	12-13-1405	BEFORE -09/01 #22170- WHEEL AXLE 1" Dia. X 5 5/8" LG	1
N/I	04-42-0135	BEFORE -09/01 #22170- AXLE BUSHING 2" Dia. X 7/8" LG	2
N/I	NC01-17-0247	BEFORE -09/01 #22170- HEX.BOLT 1/2"-13 X 1" LG (GRADE 2 )	2
N/I	NC02-32-0014	AFTER -09/01 #22170- LOCK WASHER Ø 1/2"	2
N/I	NC02-22-0012	AFTER -09/01 #22170- FLAT WASHER ORD. Ø 9/16"	2
58	NC14-70-0024	AFTER -09/01 #22170- WHEEL 12 Dia. ASSY.	1
N/I	NC14-70-0047	BEFORE -09/01 #22170- TIRE	1
N/I	NC14-70-0037	BEFORE -09/01 #22170- RIM	1
N/I	NC14-70-0028	BEFORE -09/01 #22170- TUBE	1
N/I	NC14-70-0027	BEFORE -09/01 #22170- ROLLER BEARING	1
N/I	04-13-3400	BEFORE -09/01 #22170- SHOULDER BUSHING 2 3/8" Dia. X Ø 1 1/64" X 1/2" LG	2
N/I	NC01-69-0785	BEFORE -09/01 #22170- GREASE FITTING 1/4"-28 (STRAIGHT)	2
59	12-01-3051	BEARING PROTECTOR (BW 240)	1

## STICKER B.W. 240 JD-4

REF.	PART NO.	DESCRIPTION	QTE
N/I	12-58-1001	STICKER KIT (BW 240 ALL MODELS)	1
N/I	01-60-0005	STICKER AGRIMÉTAL INC "SMALL"	2
N/I	01-60-0070	STICKER WARNING MISSING SHIELD HAZARD...	1
N/I	01-60-0115	STICKER WARNING ROTATING PART HAZARD...	1
N/I	03-60-0005	STICKER GREASE GUN	2
N/I	06-60-0000	STICKER AGRIMÉTAL INC "MEDIUM"	2
N/I	01-60-0125	STICKER WARNING KEEP ALL GUARDS AND SHIELDS IN PLACE...	1
N/I	NC13-33-0108	STICKER CAUTION / READ OPERATOR'S MANUAL BEFORE STARTING...	1
N/I	NC13-33-0112	STICKER DANGER BLOWER BLADE HAZARD...	2
N/I	NC13-33-0110	STICKER DANGER THROWN OBJECT HAZARD...	3

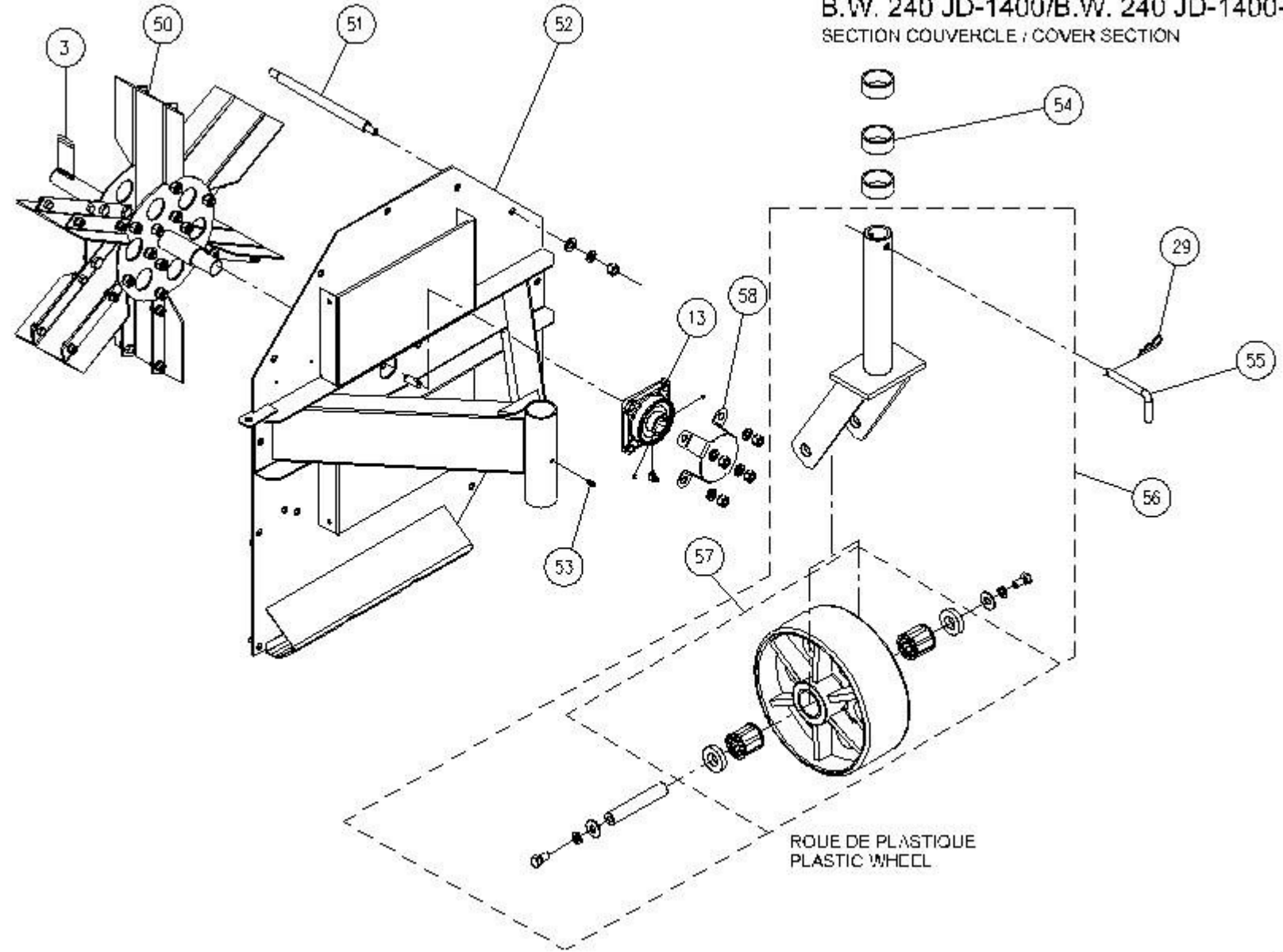
B.W. 240 JD-1400  
SECTION BOITIER / HOUSING SECTION



## B.W. 240 JD-1400 AND B.W.240 JD-1400-2

REF.	PART NO.	DESCRIPTION	QTE
1	NC14-75-0037	PILLOW BEARING Ø 1" UCPA 205-16	1
2	12-20-0140	INPUT SHAFT 1" DIA. X 19 3/4" LG	1
3	01-41-0910	SQUARE KEY 1/4" X 1/4" X 1 1/2" LG	3
4	12-42-0005	GUARD FOR INPUT SHAFT 1" D.I. X 12 1/2" LG	1
5	12-38-0015	PILLOW BEARING UCPA 205-16 X Ø 1" (SPECIAL)	1
6	NC14-62-0161	PULLEY 2MB55 X Ø 1" KW 1/4" 2SS 5/16"-18	1
7	NC02-44-0103	ALLENS SET SCREW 5/16"-18 X 3/8" LG	1
8	NC02-44-0103	ALLENS SET SCREW 5/16"-18 X 3/8" LG	1
9	NC14-25-0898	BEFORE -10/04 #25696- V-BELT 6937 (5/8" X 37")	2
N/I	NC14-25-1074	AFTER -10/04 #25696- BELT BX-35 (5/8" X 38") (B.W.240 JD-1400-2)	2
10	NC14-62-0075	BEFORE -10/04 #25696- PULLEY 2MB50 X Ø 1 1/4" KW 1/4" 2SS 5/16"	1
N/I	12-39-0340	AFTER -10/04 #25696- PULLEY 2MB55 X Ø 1 1/4" KW 1/4" 2SS 5/16"-18 (B.W.240 JD-1400-2)	1
11	NC02-44-0103	ALLENS SET SCREW 5/16"-18 X 3/8" LG	1
12	NC02-44-0103	ALLENS SET SCREW 5/16"-18 X 3/8" LG	1
13	12-38-0001	FLANGE BEARING 4 Ø UCF 207-20 X Ø 1 1/4" (GREASE FITTING 1/4"-28)	2
14	12-55-4105	BELT GUARD " STICKER INCLUDED"	1
15	12-13-1060	HITCH PIN	2
16	NC01-63-0026	HITCH PIN CLIPS 5/32" X 3" LG	3
17	12-30-9955	TIGHTENER BOLT FOR BEARING 1/2"-13 X 4" LG	2
18	NC13-86-0046	BLUE SPRING 1/2" X Ø 1" X 2" LONG	2
19	12-55-1050	TURF ROLLER ASSY.	1
N/I	12-11-3520	TURF ROLLER ONLY 4" Dia. X 14 7/8" LG	1
N/I	12-42-0020	NYLON CAP 4" Dia. X 4" LG	2
20	12-13-1035	SHAFT 3/4" Dia. X 20" LG	1
21	12-55-1100	DEFLECTOR RIGHT "STICKER INCLUDED"	1
22	12-50-8010	CABLE SQUEEZER SUPPORT	1
23	NC17-02-0139	CABLE 57 1/4" LG ASSY.	1
24	NC01-81-0001	MALLEABLE CLIPS 1/8"	2
25	12-42-0100	U.H.M.W. IDLER PULLEY 4" Dia. X 1 1/4" THICK	1
26	12-09-0100	BUSHING 3/4" Dia. X Ø 1/2" X 1 5/16" LG	1
27	12-13-0600	SLIDE FOR CHUTE 1/2" Dia. X 22" LG	2
28	NC02-25-0011	FLAT WASHER Ø 17/32"	4
29	NC01-63-0015	HITCH PIN CLIPS 1/8" X 2 5/8" LG	5
30	12-50-8000	CASING	1
31	12-55-4005	PTO SHAFT GUARD "STICKER INCLUDED"	1

B.W. 240 JD-1400/B.W. 240 JD-1400-2  
SECTION COUVERCLE / COVER SECTION



## B.W. 240 JD-1400 AND B.W.240 JD-1400-2

REF.	PART NO.	DESCRIPTION	QTE
3	01-41-0910	SQUARE KEY 1/4" X 1/4" X 1 1/2" LG	3
13	12-38-0001	FLANGE BEARING 4 Ø UCF 207-20 X Ø 1 1/4" (GREASE FITTING 1/4"-28)	2
29	NC01-63-0015	HITCH PIN CLIPS 1/8" X 2 5/8" LG	5
50	12-50-1015	IMPELLER	1
51	12-13-1015	UNION FOR CASING AND COVER 3/4" Dia. X 11" LG	14
52	12-50-1010	COVER	1
53	NC01-69-0785	GREASE FITTING 1/4"-28 (STRAIGHT)	1
54	12-10-0800	BUSHING 2 3/8" X 2" X 1" LG	3
55	12-30-9950	PIN 1/2" X 6" LG	1
56	12-55-1067	SWIVEEL WHEEL CASTER ASSY. (MODEL NEW 2001)	1
N/I	12-55-2555	SWIVEL CASTER "STICKER INCLUDED"	1
N/I	12-55-0049	U.H.M.W. BLACK WHEEL ASSY.	1
N/I	12-13-1405	WHEEL AXLE 1" Dia. X 5 5/8" LG	1
N/I	12-42-0105	PLASTIC WHEEL BUSHING (2" DIA. X .420" LG)	2
N/I	NC01-17-0247	HEX.BOLT 1/2"-13 X 1" LG (GRADE 2)	2
N/I	NC02-32-0014	LOCK WASHER Ø 1/2"	2
N/I	NC02-22-0012	FLAT WASHER ORD. Ø 9/16"	2
57	12-55-0049	U.H.M.W. BLACK WHEEL ASSY.	1
N/I	12-55-0048	U.H.M.W. BLACK WHEEL	1
N/I	NC14-70-0027	ROLLER BEARING	2
N/I	12-42-0105	PLASTIC WHEEL BUSHING (2" DIA. X .420" LG)	2
N/I	NC01-69-0785	GREASE FITTING 1/4"-28 (STRAIGHT)	2
58	12-01-3051	BEARING PROTECTOR (BW 240)	1

**STICKER B.W. 240 JD-1400 AND B.W.240 JD-1400-2**

<b>REF.</b>	<b>PART NO.</b>	<b>DESCRIPTION</b>	<b>QTE</b>
N/I	12-58-1001	STICKER KIT (BW 240 ALL MODELS)	1
N/I	01-60-0005	STICKER AGRIMÉ TAL INC "SMALL"	2
N/I	01-60-0070	STICKER WARNING MISSING SHIELD HAZARD...	1
N/I	01-60-0115	STICKER WARNING ROTATING PART HAZARD...	1
N/I	03-60-0005	STICKER GREASE GUN	2
N/I	06-60-0000	STICKER AGRIMÉ TAL INC "MEDIUM"	2
N/I	01-60-0125	STICKER WARNING KEEP ALL GUARDS AND SHIELDS IN PLACE...	1
N/I	NC13-33-0108	STICKER CAUTION / READ OPERATOR'S MANUAL BEFORE STARTING...	1
N/I	NC13-33-0112	STICKER DANGER BLOWER BLADE HAZARD...	2
N/I	NC13-33-0110	STICKER DANGER THROWN OBJECT HAZARD...	3