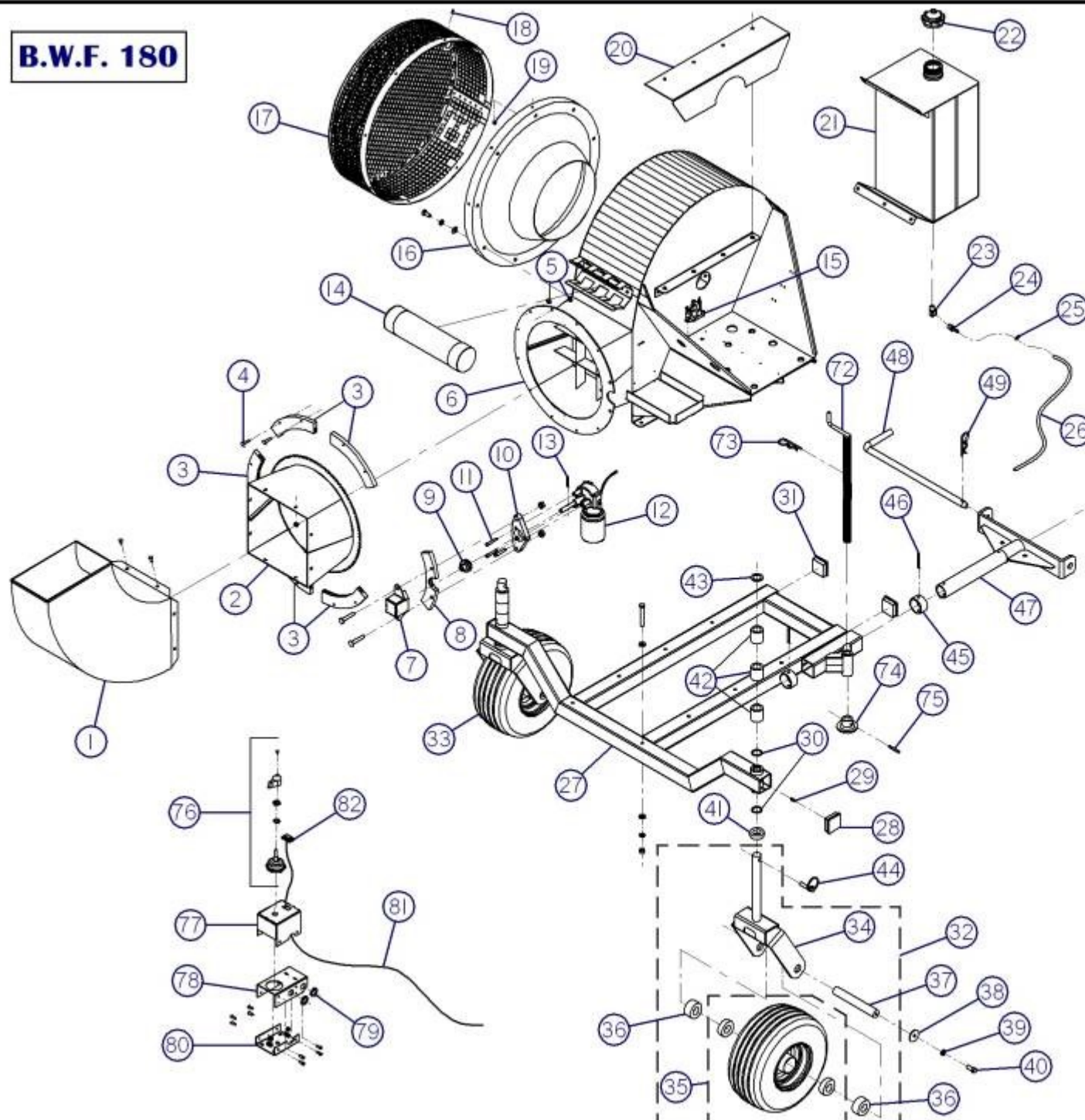
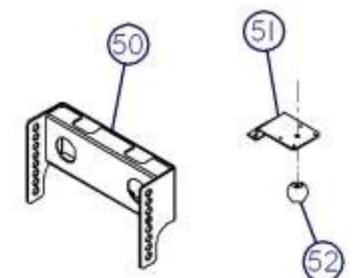


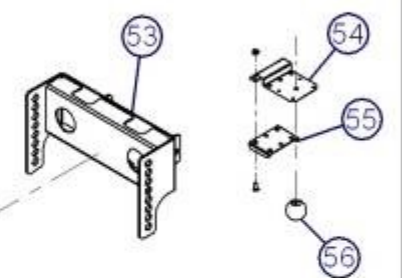
**B.W.F. 180**



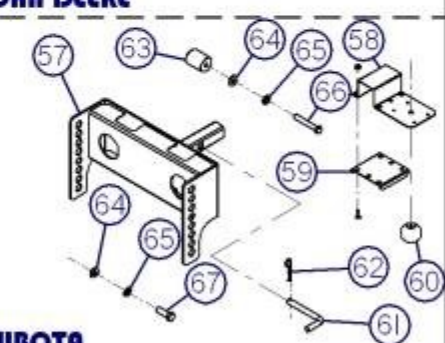
**CLUB CAR**



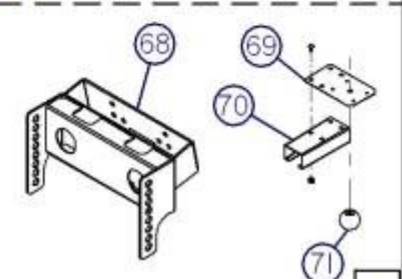
**JOHN DEERE**



**KUBOTA**



**TORO**



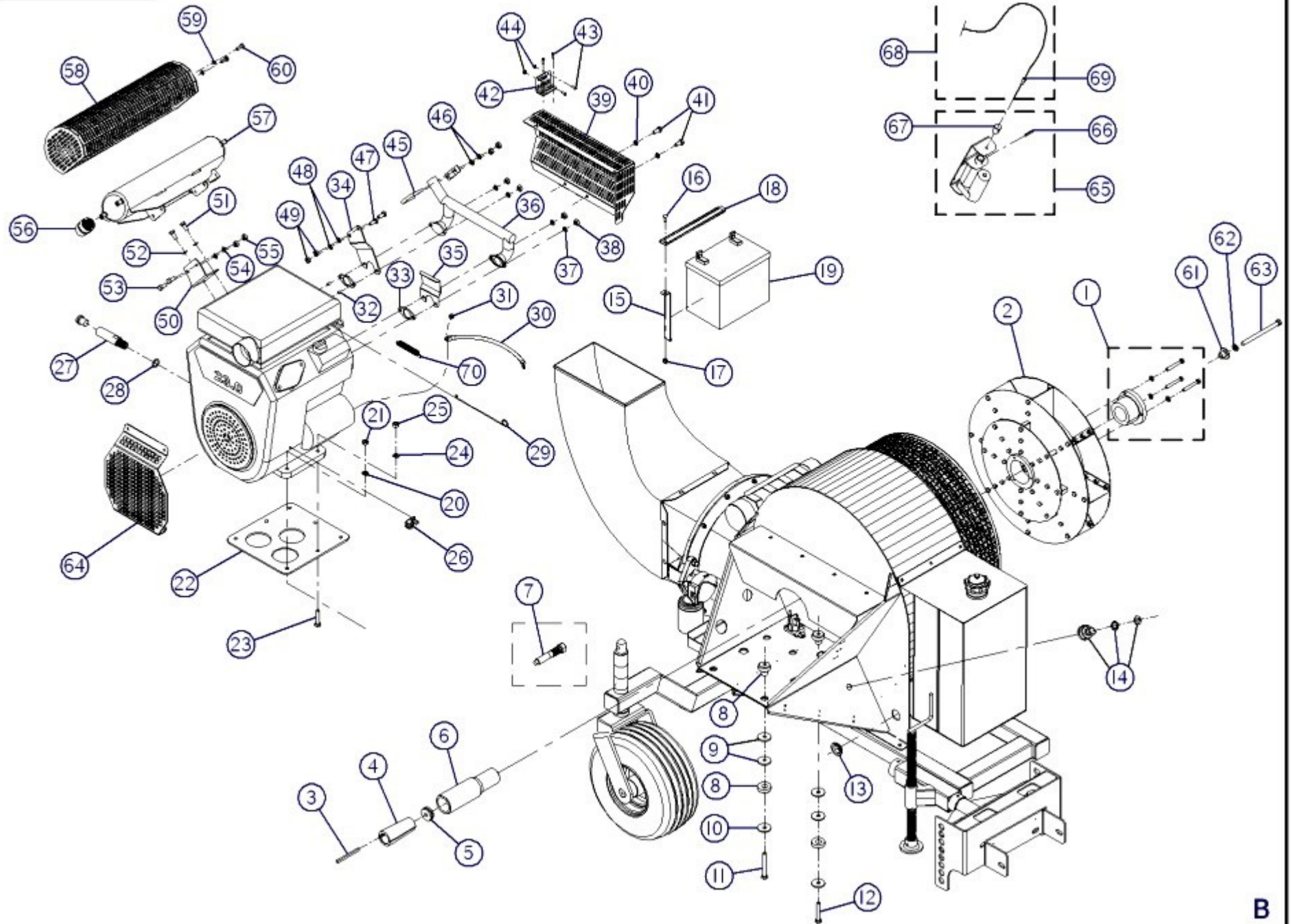
## PULL - TYPE LEAF BLOWER BWF 180

REF.	PART NO.	DESCRIPTION	QTE
1	26-55-7045	DUCT ASSY.(60°) "STICKER INCLUDED"	1
2	26-55-3040	COMPLETE DUCT COLECTOR "STICKER INCLUDED"	1
3	26-42-0110	DUCT COLECTOR GUIDE	5
4	NC01-05-0005	CARR.BOLT 1/4"-20 X 1" LG (GRADE 5)	10
5	NC01-96-0009	NYLON INSERT LOCKNUTS 1/4"-20	10
6	26-55-3050	BLOWER CASING " STICKER INCLUDED"	1
7	26-01-3165	12 VOLTS MOTOR GUARD	1
8	26-42-0115	DUCT COLECTOR GUIDE	1
9	26-55-3060	COLECTOR SPROCKET	1
10	26-21-0200	ELECTRIC MOTOR SUPPORT	1
11	NC02-51-0580	HEX-SOCKET CAP SCREW 1/4"-28 X 3/4" LG (STAINLESS)	3
12	26-55-2165	ELECTRIC MOTOR 12 VOLTS ASSY.	1
13	NC01-69-0377	SPRING PIN 1/8" X 3/4" LG	1
14	NC13-30-0237	CAPSULE WITH END CAP	1
15	NC13-37-0495	SELENOID	1
16	26-22-2200	ALUMINUM AIR INTAKE	1
17	26-55-3000	AIR INTAKE SCREEN	1
18	NC02-40-0079	MACHINE SCREWS SQUARE SOCKET #10-24 X 3/8" LG	9
19	NC01-96-0006	NYLON INSERT LOCKNUTS 10-24	9
20	26-01-3225	IMPELLER SHAFT GUARD	1
21	26-55-3033	GAS TANK "STICKER INCLUDED"	1
22	NC13-37-0568	GAS CAP	1
23	NC13-65-0047	90° BRASS EXTRUDED STREET ELBOW 1/4 FEM. NPT X 1/4 MÂLE NPT	1
24	NC01-80-0006	HOSE BARB TO MALE PIPE CONNECTOR	1
25	NC01-65-0201	SPRING-GRIP HOSE CLAMPS 1/2" O.D.	1
26	26-46-0525	GAS HOSE 1/2" DIA.X 1/4" D.I. X 30" LG	1
27	26-55-4010	FRAME ASSY.(BWT 180) "STICKER INCLUDED)	1
28	26-42-0000	SQUARE PLASTIC CAP Ø 3/4"	2
29	NC01-69-0785	GREASE FITTING 1/4"-28 (STRAIGHT)	2
30	NC13-15-0049	O-RING 1 1/4" Dia. X Ø 1" X 1/8 "	4
31	NC13-80-0189	SQUARE PLASTIC CAP	2
32	26-55-4015	LEFT SWIVEEL WHEEL CASTER ASSY	1
33	26-55-4020	RIGHT SWIVEEL WHEEL CASTER ASSY	1
34	26-50-4020	SWIVEL CASTER	2
35	NC14-70-0276	WHEEL 13 Dia. ASSY.	2
N/I	NC14-70-0278	TIRE 13" Dia. X 5.00-6 4PR	2
N/I	NC14-70-0277	RIM 6" X 4.5"	2
N/I	NC14-70-0283	TUBE TR87	2
N/I	NC14-70-0282	BEARING 6205 RS C3 X Ø 1"	4
36	26-42-0140	PLASTIC WHEEL AXLE BUSHING	4
37	26-13-1405	WHEEL AXLE	2
38	01-33-0010	FLAT WASHER 1 1/2" Dia. X Ø 25/64" X 11GA	4
39	NC02-32-0012	LOCK WASHER Ø 3/8"	4
40	NC01-17-0114	HEX.BOLT 3/8"-16 X 1" LG (GRADE2)	4
41	26-42-0145	SWIVEL WHEEL BUSHING .875" LG	2
42	26-42-0135	SWIVEL WHEEL BUSHING 1.517" LG	6
43	04-33-0220	FLAT WASHER 1 1/2" Dia. X Ø 1" X 5/64"	2
44	NC01-69-1100	LINCHPIN 3/8" Dia.	2
45	26-09-1000	SWIVEL HITCH BUSHING	2
46	NC01-69-0465	SPRING PIN 1/4" X 2" LG	2
47	26-50-4005	SWIVEL HITCH	1
48	26-13-1000	HITCH PIN	1
49	NC01-63-0026	HITCH PIN CLIPS 5/32" X 3" LG	1
50	26-50-8000	HITCH ADAPTER (MODEL: CLUB CAR)	1
51	26-01-7530	REMOVABLE CONTROL SUPPORT (MOD: CLUB CAR)	1
52	NC01-64-0232	PLASTIC KNOB 1 7/8" Dia.	1

## PULL - TYPE LEAF BLOWER BWF 180

REF.	PART NO.	DESCRIPTION	QTE
53	26-50-4000	HITCH ADAPTER (MODEL: JOHN DERRE)	1
54	26-01-3245	REMOVABLE TOP CONTROL (MOD: JOHN DEERE)	1
55	26-01-3250	REMOVABLE UNDER BASE CONTROL (MOD: JOHN DEERE)	1
56	NC01-64-0232	PLASTIC KNOB 1 7/8" Dia.	1
57	26-50-5000	HITCH ADAPTER MODEL: KUBOTA	1
58	26-01-3255	REMOVABLE TOP CONTROL (MOD: KUBOTA)	1
59	26-01-3260	REMOVABLE UNDER BASE CONTROL (MOD: KUBOTA)	1
60	NC01-64-0232	PLASTIC KNOB 1 7/8" Dia.	1
61	12-30-9950	PIN 1/2" X 6" LG	1
62	NC01-63-0015	HITCH PIN CLIPS 1/8" X 2 5/8" LG	1
63	26-21-0050	HINGE SPACER	2
64	01-01-0925	FLAT WASHER 1 1/64" Dia. X Ø 33/64" X 10GA	4
65	NC02-32-0014	LOCK WASHER Ø 1/2"	4
66	NC01-50-0073	MÉTRIC BOLT 12MM-NF X 90MM LG (GRADE10.9)	2
67	NC01-50-0063	MÉTRIC BOLT 12MM-NF X 35MM LG (GRADE10.9)	2
68	26-50-6000	HITCH ADAPTER MODEL: TORO	1
69	26-01-3270	REMOVABLE TOP CONTROL (MOD: TORO)	1
70	26-01-3265	REMOVABLE UNDER BASE CONTROL (MOD: TORO)	1
71	NC01-64-0232	PLASTIC KNOB 1 7/8" Dia.	1
72	26-50-4015	HITCH JACK	1
73	NC01-63-0026	HITCH PIN CLIPS 5/32" X 3" LG	1
74	26-21-0015	JACK'S SHOES	1
75	NC01-69-0423	SPRING PIN 3/16" X 1 1/4" LG	1
76	NC14-35-0231	REVERSIBLE SWITCH	1
77	26-55-2245	REMOVABLE TOP CONTROL BOX	1
78	26-01-3240	REMOVABLE CONTROL BASE	1
79	NC13-15-0055	RUBBER GROMMETS	2
80	26-01-3085	REMOVABLE UNDER BASE CONTROL	1
81	26-55-4155	GREY WIRE 18GA X 90" LG & BROWN & YELLOW 3 1/2" LG ASSY.	1
82	NC14-35-0234	ACTUATOR INTERRUPTOR BUTTON	1

# B.W.F. 180





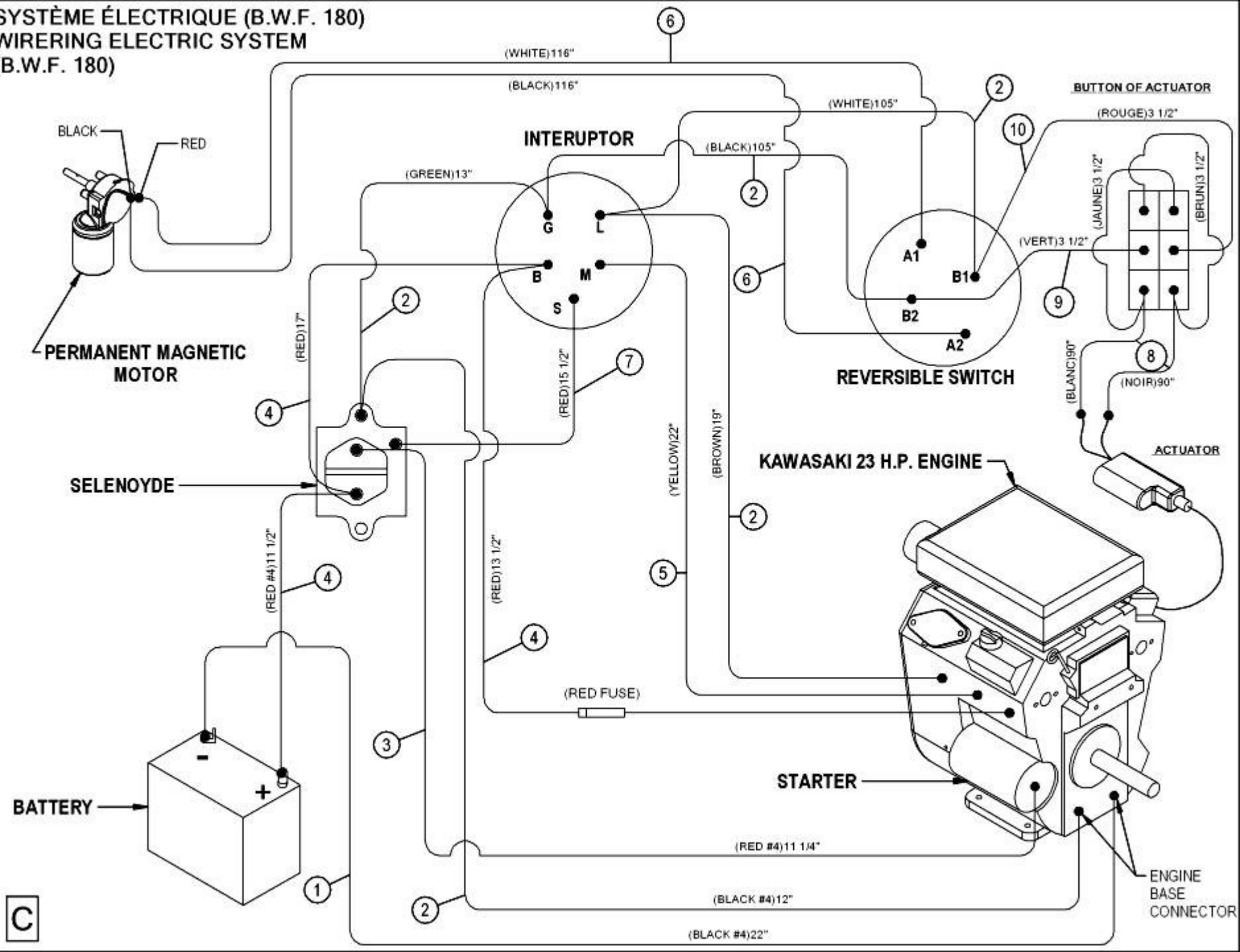
## PULL - TYPE LEAF BLOWER BWF 180

REF.	PART NO.	DESCRIPTION	QTE
1	26-39-0360	TAPERED QD BUSHING SK Ø 1 3/4"	1
2	26-55-3010	IMPELLER (MOD: B.W.T. 180)	1
3	NC01-65-0093	SQUARE KEY 1/4" X 1/4" X 3 1/4" LG	1
4	26-09-0505	IMPELLER SHAFT CONE	1
5	26-55-3075	EXTRACTOR BOLT BUSHING COMPL.	1
N/I	26-20-0060	ONLY EXTRACTOR BOLT BUSHING	1
N/I	NC13-15-0067	O-RING	1
6	26-20-0050	IMPELLER SHAFT	1
7	26-20-0065	EXTRACTOR BOLT	1
8	NC13-15-0068	RUBBER MOUNT RB1-120	5
9	26-03-4800	FLAT WASHER 1 1/2" DIA. X Ø 25/32"	10
10	01-33-0010	FLAT WASHER 1 1/2" Dia. X Ø 25/64" X 11GA	5
11	NC01-17-0122	HEX.BOLT 3/8"-16 X 3" LONG (GRADE 2)	2
12	NC01-17-0119	HEX.BOLT 3/8"-16 X 2 1/4" LG (GRADE 2)	3
13	NC13-15-0014	RUBBER GROMMETS	3
14	NC13-37-0494	ELECTRICAL SWITCH 23 H.P.	1
15	26-01-3235	BATTERY RETAINER	1
16	NC01-04-0002	CARR.BOLT 1/4"-20 X 5/8" LG (GRADE 2)	1
17	NC01-96-0009	NYLON INSERT LOCKNUTS 1/4"-20	1
18	26-01-3230	BATTERY HOLDER	1
19	NC13-12-0001	BATTERY (12 VOLTS)	1
20	NC02-32-0012	LOCK WASHER Ø 3/8"	5
21	NC02-07-0018	HEX.NUT 3/8"-16	5
22	26-04-0010	ENGINE BASE	1
23	NC01-17-0117	HEX.BOLT3/8"-16 X 1 3/4" LG (GRADE 2)	2
24	NC02-32-0012	LOCK WASHER Ø 3/8"	2
25	NC02-07-0018	HEX.NUT 3/8"-16	2
26	NC13-25-0110	GAS HOSE PROTECTOR CLAMPS	1
27	26-21-0035	OIL DRAIN EXTENSION	1
28	NC13-15-0060	O-RING 13/16" Dia. X Ø 5/8" X 3/32 "	1
29	NC17-60-0019	CHOKE ROD	1
30	26-55-3105	POSITIVE CABLE ASSY.	1
31	NC01-96-0009	NYLON INSERT LOCKNUTS 1/4"-20	1
32	22-13-0110	MANIFOLD STUD SPEACER	2
33	NC13-37-0478	EXHAUST MANIFOLD GASKET	2
34	22-01-1545	MUFFLER SUPPORT (LEFT)	1
35	26-03-3000	CABLE SHIELD	1
36	NC13-37-0481	EXHAUST MANIFOLD	1
37	NC13-37-0492	SPECIAL LOCK WASHER	4
38	NC13-37-0491	METRIC NUT 8 mm	4
39	26-55-2210	MANIFOLD GUARD ASSY.	1
40	NC02-32-0011	LOCK WASHER Ø 5/16"	2
41	NC01-45-0184	METRIC BOLT 8MM X 20MM (GRADE 8.8)	2
42	26-01-3120	MANIFOLD GUARD BRACKET	1
43	NC02-40-0080	MACHINE SCREWS SQUARE SOCKET #10-24 X 1/2" LG	4
44	NC01-96-0006	NYLON INSERT LOCKNUTS 10-24	4
46	NC02-32-0011	LOCK WASHER Ø 5/16"	2
47	NC01-17-0058	HEX.BOLT 5/16"-18 X 3/4" LG (GR2)	2
48	NC02-32-0011	LOCK WASHER Ø 5/16"	2
49	NC02-07-0017	HEX.NUT 5/16"-18	2
50	22-01-0097	MUFFLER BRACKET	1
51	NC01-45-0186	METRIC BOLT 8MM X 25MM (GRADE 5)	2
52	NC02-32-0011	LOCK WASHER Ø 5/16"	2
53	NC01-17-0058	HEX.BOLT 5/16"-18 X 3/4" LG (GR2)	2
54	NC02-32-0011	LOCK WASHER Ø 5/16"	2
55	NC02-07-0017	HEX.NUT 5/16"-18	2

**PULL - TYPE LEAF BLOWER BWF 180**

REF.	PART NO.	DESCRIPTION	QTE
56	NC13-37-0510	SPARK ARRESTOR FOR 23 HP KAWASAKI	1
57	22-50-1005	MUFFLER	1
58	22-50-1000	MUFFLER GUARD	1
59	NC02-32-0010	LOCK WASHER Ø 1/4"	4
60	NC01-37-0004	HEX.BOLT 1/4"-28 X 3/4" LG (GRADE 8)	4
61	26-20-0055	IMPELLER SHAFT CAP	1
62	NC02-32-2013	LOCK WASHER Ø 7/16"	1
63	NC01-37-0151	BOLT HEX.7/16"-20 X 5" LONG (GRADE8)	1
64	22-55-0590	MOTOR FAN GUARD COMPL.	1
65	22-57-0610	ACTUATOR (12 VOLTS) & ACTUATOR SUPPORT KIT ASSY.	1
66	NC01-69-0377	SPRING PIN 1/8" X 3/4" LG	1
67	26-21-0087	RETAINING CABLE BUSHING FOR ACTUATOR	1
68	22-57-0615	GAS CABLE & GAS CABLE ADJUSTABLE SCREW KIT ASSY.	1
69	NC01-84-0100	GAS CABLE ADJUSTABLE SCREW	1
70	26-44-0005	SPRING GALV. 380" Dia. X 2" LONG	1

**SYSTEME ÉLECTRIQUE (B.W.F. 180)**  
**WIRING ELECTRIC SYSTEM**  
**(B.W.F. 180)**



**PULL - TYPE LEAF BLOWER BWF 180**

<b>REF.</b>	<b>PART NO.</b>	<b>DESCRIPTION</b>	<b>QTE</b>
1	26-55-3100	ELECTRIC SUPPLY WIRE FROM BATTERY ASSY	1
2	26-55-4110	SUPPLY CABLE FROM CONTACT TO SWITCH ASSY.	1
3	26-55-3105	POSITIVE CABLE ASSY.	1
4	26-55-3130	ELECTRIC SUPPLY WIRE FROM SELENOIL TO ENGINE ASSY.	1
5	26-55-3115	YELLOW WIRE FROM ENGINE TO SELENOIL ASSY.	1
6	26-55-4125	ELECTRIC SUPPLY WIRE FROM SWITCH TO MOTOR ASSY.	1
7	26-55-3120	RED WIRE FROM SWITCH TO SELENOIL ASSY.	1
N/I	NC13-37-0508	20 FUSE CASE AMPS ASSY.	1
N/I	NC13-37-0570	20 AMPS FUSE	1
8	26-55-4155	GREY WIRE 18GA X 90" LG & BROWN & YELLOW 3 1/2" LG ASSY.	1
9	26-55-3155	GREEN WIRE FROM SWITCH TO ACTUATOR SWITCH ASSY.	1
10	26-55-3150	RED WIRE FROM SWITCH TO ACTUATOR SWITCH ASSY.	1



## STICKER BWF 180

REF.	PART NO.	DESCRIPTION	QTE
N/I	26-58-4000	STICKER KIT (BWF 180)	1
N/I	01-60-0060	STICKER DANGER FIRE HAZARD .STOP ENGINE FIVE MINUTES BEFORE...	1
N/I	06-60-0000	STICKER AGRIMÉTAL INC "MEDIUM"	1
N/I	16-60-0025	STICKER FRAME LEVEL	2
N/I	01-60-0005	STICKER AGRIMÉTAL INC "SMALL"	1
N/I	03-60-0005	STICKER GREASE GUN	2
N/I	NC13-33-0108	STICKER CAUTION / READ OPERATOR'S MANUAL BEFORE STARTING...	1
N/I	NC13-33-0110	STICKER DANGER THROWN OBJECT HAZARD...	2
N/I	NC13-33-0111	STICKER LEFT RIGHT	1
N/I	NC13-33-0095	STICKER OFF ON START (2 3/4" X 1 3/8")	1
N/I	NC13-33-0124	STICKER DIRECTION (ARROW)	2