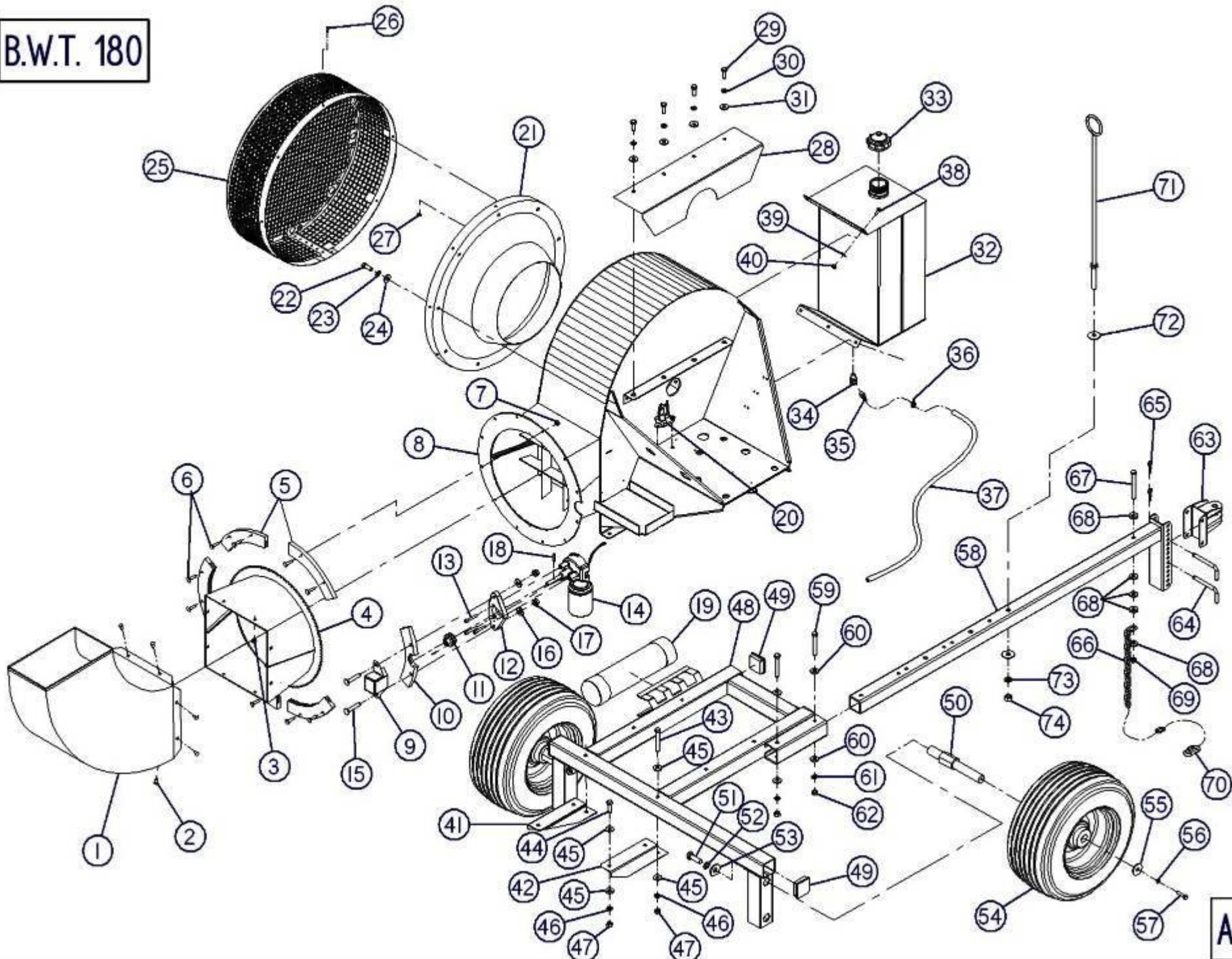


B.W.T. 180



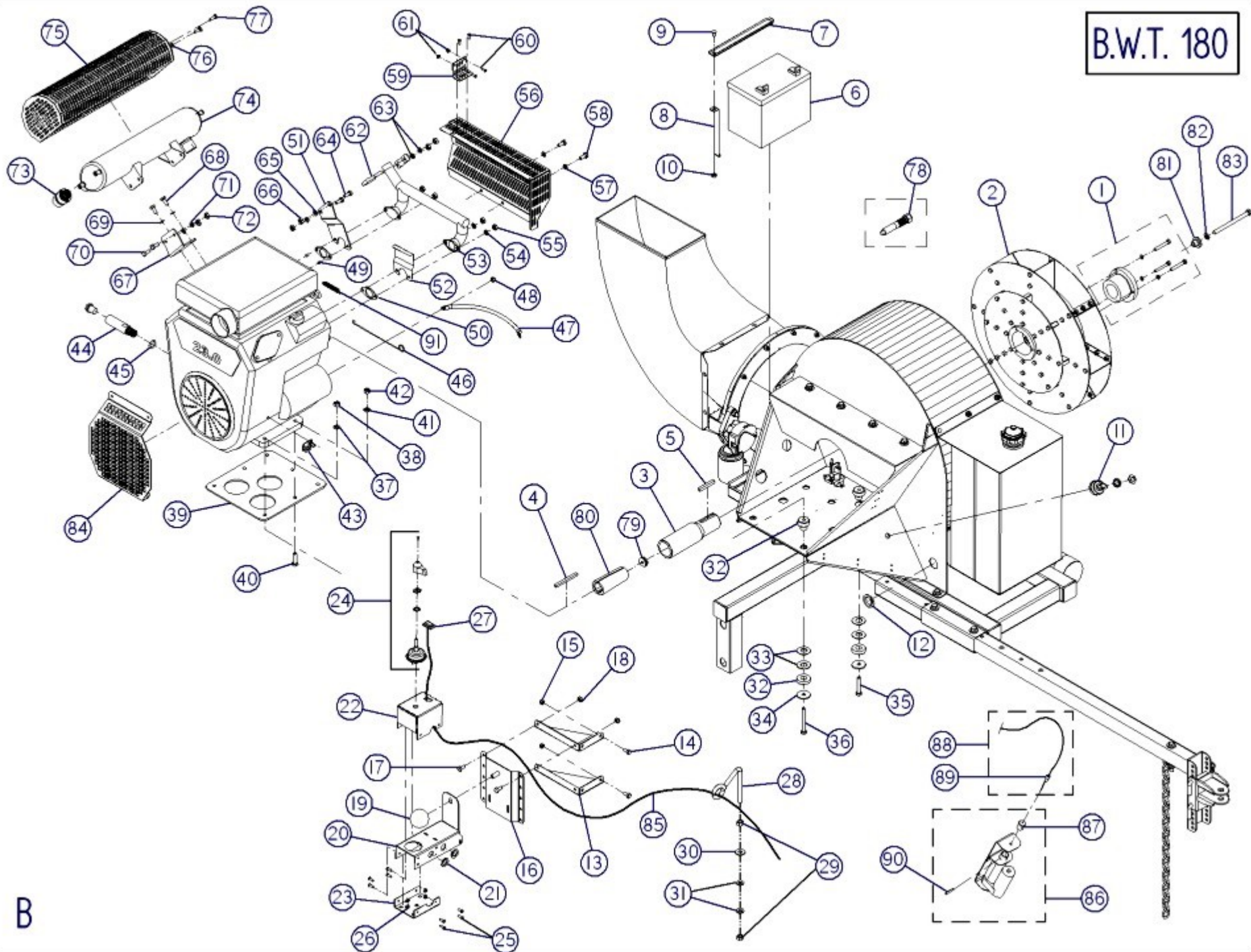
PULL - TYPE LEAF BLOWER BWT 180

REF.	PART NO.	DESCRIPTION	QTE
1	26-55-3045	DUCT ASSY.(90°) "STICKER INCLUDED"	1
2	NC01-04-0055	CARRAGE BOLT 5/16"-18 X 5/8" LG (GRADE 2)	8
3	NC01-96-0009	NYLON INSERT LOCKNUTS 1/4"-20	8
4	26-55-3040	COMPLETE DUCT COLECTOR "STICKER INCLUDED"	1
5	26-42-0110	DUCT COLECTOR GUIDE	5
6	NC01-05-0005	CARR.BOLT 1/4"-20 X 1" LG (GRADE 5)	10
7	NC01-96-0009	NYLON INSERT LOCKNUTS 1/4"-20	10
8	26-55-3050	BLOWER CASING " STICKER INCLUDED"	1
9	26-01-3165	12 VOLTS MOTOR GUARD	1
10	26-42-0115	DUCT COLECTOR GUIDE	1
11	26-55-3060	COLECTOR SPROCKET	1
12	26-21-0200	ELECTRIC MOTOR SUPPORT	1
13	NC02-51-0580	HEX-SOCKET CAP SCREW 1/4"-28 X 3/4" LG (STAINLESS)	3
14	26-55-2165	ELECTRIC MOTOR 12 VOLTS ASSY.	1
15	NC01-04-0113	CARRIAGE BOLT 3/8"-16 X 2" LG (GRADE 2)	2
16	01-01-2485	FLAT WASHER 13/16" Dia. X Ø 25/64" X 14GA	2
17	NC01-96-0011	NYLON INSERT LOCKNUTS 3/8"-16	2
18	NC01-69-0377	SPRING PIN 1/8" X 3/4" LG	1
19	NC13-30-0237	CAPSULE WITH END CAP	1
20	NC13-37-0495	SELENOID	1
21	26-22-2200	ALUMINUM AIR INTAKE	1
22	NC01-17-0112	HEX.BOLT 3/8"-16 X 3/4" LG (GRADE 2)	9
23	NC02-32-0012	LOCK WASHER Ø 3/8"	9
24	01-01-2485	FLAT WASHER 13/16" Dia. X Ø 25/64" X 14GA	9
25	26-55-3000	AIR INTAKE SCREEN	1
26	NC02-40-0079	MACHINE SCREWS SQUARE SOCKET #10-24 X 3/8" LG	9
27	NC01-96-0006	NYLON INSERT LOCKNUTS 10-24	9
28	26-01-3225	IMPELLER SHAFT GUARD	1
29	NC01-17-0112	HEX.BOLT 3/8"-16 X 3/4" LG (GRADE 2)	4
30	NC02-32-0012	LOCK WASHER Ø 3/8"	4
31	01-01-2485	FLAT WASHER 13/16" Dia. X Ø 25/64" X 14GA	4
32	26-55-3033	GAS TANK "STICKER INCLUDED"	1
33	NC13-37-0568	GAS CAP	1
34	NC13-65-0047	90° BRASS EXTRUDED STREET ELBOW 1/4 FEM. NPT X 1/4 MÅLE NPT	1
35	NC01-80-0006	HOSE BARB TO MALE PIPE CONNECTOR	1
36	NC01-65-0201	SPRING-GRIP HOSE CLAMPS 1/2" O.D.	1
37	26-46-0525	GAS HOSE 1/2" DIA.X 1/4" D.I. X 30" LG	1
38	NC01-17-0003	HEX.BOLT 1/4"-20 X 5/8" LG (GRADE 2)	6
39	NC02-25-0007	FLAT WASHER 5/8" Dia. X Ø 9/32"	6
40	NC01-96-0009	NYLON INSERT LOCKNUTS 1/4"-20	6
41	26-01-3215	FRAME EXTENSION (LEFT)	1
42	26-01-3220	FRAME EXTENSION (RIGHT)	1
43	NC01-17-0121	HEX.BOLT 3/8"-16 X 2 3/4" LG (GRADE 2)	6
44	NC01-17-0114	HEX.BOLT 3/8"-16 X 1" LG (GRADE2)	4
45	01-01-2485	FLAT WASHER 13/16" Dia. X Ø 25/64" X 14GA	20
46	NC02-32-0012	LOCK WASHER Ø 3/8"	20
47	NC02-07-0018	HEX.NUT 3/8"-16	20
48	26-50-3020	FRAME (BWT 180)	1
49	NC13-80-0189	SQUARE PLASTIC CAP	4
50	26-25-2400	WHEEL AXLE	2
51	NC01-17-0248	HEX.BOLT 1/2"-13 X 1 1/4" LG (GRADE 2)	2
52	NC02-32-0014	LOCK WASHER Ø 1/2"	2
53	01-01-1660	FLAT WASHER 1 1/2 Dia. X Ø 33/64 X 11GA	2
54	NC14-70-0078	PNEUMATIC WHEEL 16" Dia. X 4 PLIS X COMPL.	2
N/I	NC14-70-0083	TIRE 16 X 6.5 - 8	2
N/I	NC14-70-0084	RIM 8" Dia.	2

PULL - TYPE LEAF BLOWER BWT 180

REF.	PART NO.	DESCRIPTION	QTE
N/I	NC14-70-0085	BALL BEARING # 6205 X Ø 1"	2
N/I	NC14-70-0086	VALVE TR413	2
55	01-33-0010	FLAT WASHER 1 1/2" Dia. X Ø 25/64" X 11GA	2
56	NC02-32-0012	LOCK WASHER Ø 3/8"	2
57	NC01-17-0114	HEX.BOLT 3/8"-16 X 1" LG (GRADE2)	2
58	26-55-3020	TELESCOPING HITCH "STICKER INCLUDED"	1
59	NC01-17-0121	HEX.BOLT 3/8"-16 X 2 3/4" LG (GRADE 2)	2
60	01-01-2485	FLAT WASHER 13/16" Dia. X Ø 25/64" X 14GA	4
61	NC02-32-0012	LOCK WASHER Ø 3/8"	2
62	NC02-07-0018	HEX.NUT 3/8"-16	2
63	26-50-3025	HITCH (BWT 180)	1
64	NC01-25-0126	HEX. BOLT GR5 NC ZINC 3/8-16 X 4	2
66	26-41-0000	SAFETY CHAIN "66 LINKS"	1
67	NC01-17-0123	HEX. BOLT 3/8"-16 X 3 1/4" LG (GRADE 2)	1
68	21-01-0950	FLAT WASHER 1.005" Dia. X Ø 25/64"	5
69	NC01-96-0011	NYLON INSERT LOCKNUTS 3/8"-16	1
70	NC01-75-0015	RAPID LINK 5/16"	1
71	21-50-0050	HYDRAULIC HOSE SUPPORT	1
72	01-01-1660	FLAT WASHER 1 1/2 Dia. X Ø 33/64 X 11GA	2
73	NC02-32-0014	LOCK WASHER Ø 1/2"	1
74	NC02-07-0020	HEX.NUT 1/2"-13	1

B.W.T. 180



B

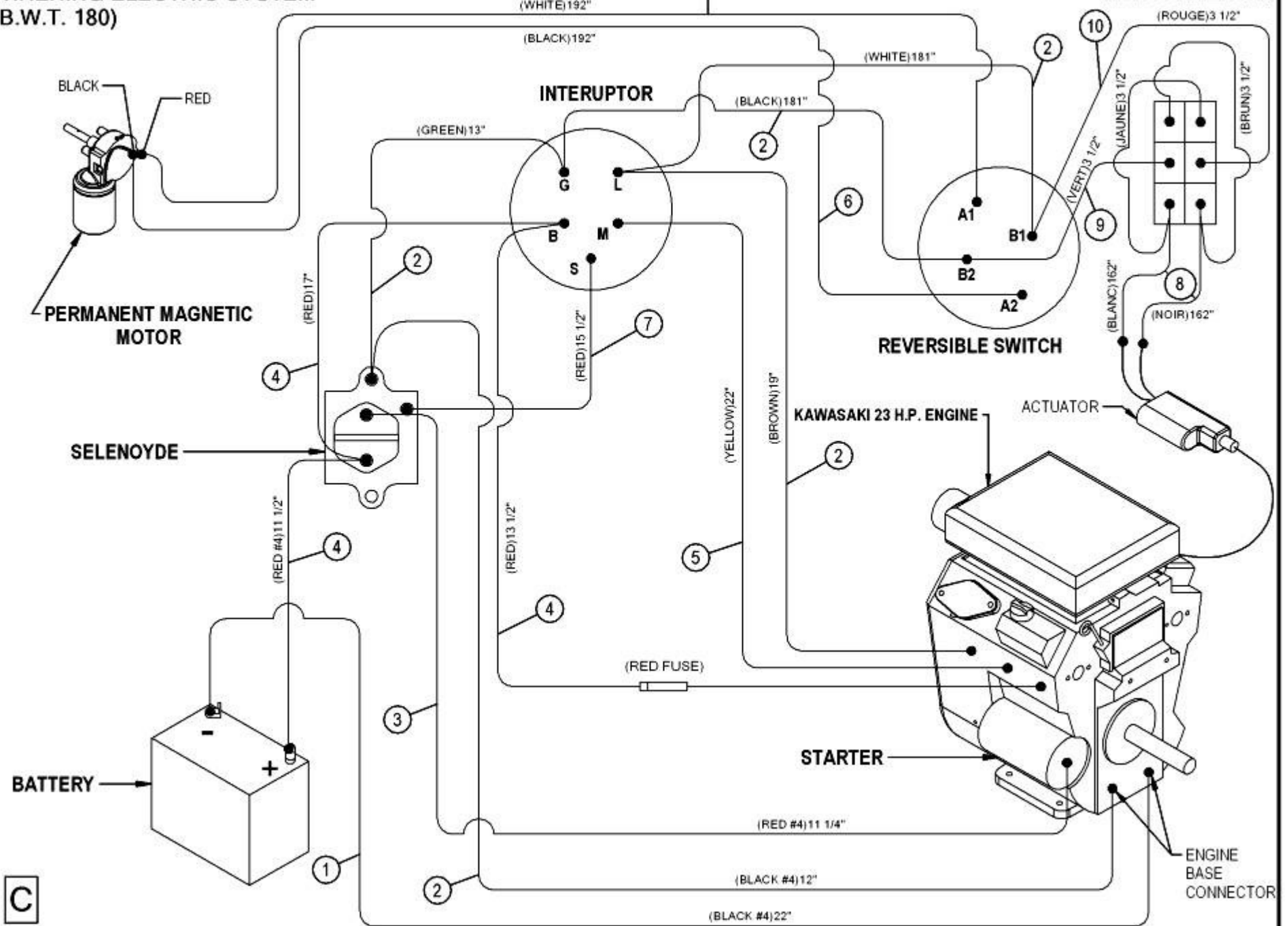
PULL - TYPE LEAF BLOWER BWT 180

REF.	PART NO.	DESCRIPTION	QTE
1	26-39-0360	TAPERED QD BUSHING SK Ø 1 3/4"	1
2	26-55-3010	IMPELLER (MOD: B.W.T. 180)	1
3	26-20-0050	IMPELLER SHAFT	1
4	NC01-65-0093	SQUARE KEY 1/4" X 1/4" X 3 1/4" LG	1
5	12-41-0915	SQUARE KEY 3/8" X 3/8" X 1 3/4" LG	1
6	NC13-12-0001	BATTERY (12 VOLTS)	1
7	26-01-3230	BATTERY HOLDER	1
8	26-01-3235	BATTERY RETAINER	1
9	NC01-04-0002	CARR.BOLT 1/4"-20 X 5/8" LG (GRADE 2)	1
10	NC01-96-0009	NYLON INSERT LOCKNUTS 1/4"-20	1
11	NC13-37-0494	ELECTRICAL SWITCH 23 H.P.	1
12	NC13-15-0014	RUBBER GROMMETS	3
13	26-01-3115	CONTROL BRACKET 90°	2
14	NC01-17-0002	HEX.BOLT 1/4"-20 X 1/2" LG (GRADE 2)	4
15	NC01-96-0009	NYLON INSERT LOCKNUTS 1/4"-20	4
16	22-50-0150	HYDRAULIC CONTROL SUPPORT BASE	1
17	NC01-17-0004	HEX.BOLT 1/4"-20 X 3/4" LG (GRADE 2)	4
18	NC01-96-0009	NYLON INSERT LOCKNUTS 1/4"-20	4
19	NC01-64-0232	PLASTIC KNOB 1 7/8" Dia.	1
20	26-01-3080	REMOVABLE CONTROL BASE	1
21	NC13-15-0055	RUBBER GROMMETS	2
22	26-55-2245	REMOVABLE TOP CONTROL BOX	1
23	26-01-3085	REMOVABLE UNDER BASE CONTROL	1
24	NC14-35-0231	REVERSIBLE SWITCH	1
25	NC02-40-0080	MACHINE SCREWS SQUARE SOCKET #10-24 X 1/2" LG	10
26	NC01-96-0006	NYLON INSERT LOCKNUTS 10-24	10
27	NC14-35-0234	ACTUATOR INTERRUPTOR BUTTON	1
28	26-41-0050	HYDRAULIC WIRE & GAS LINE SUPPORT	1
29	NC02-07-0018	HEX.NUT 3/8"-16	2
30	21-01-0950	FLAT WASHER 1.005" Dia. X Ø 25/64"	1
31	01-01-2485	FLAT WASHER 13/16" Dia. X Ø 25/64" X 14GA	2
32	NC13-15-0068	RUBBER MOUNT RB1-120	5
33	26-03-4800	FLAT WASHER 1 1/2" DIA. X Ø 25/32"	10
34	01-33-0010	FLAT WASHER 1 1/2" Dia. X Ø 25/64" X 11GA	5
35	NC01-17-0119	HEX.BOLT 3/8"-16 X 2 1/4" LG (GRADE 2)	3
36	NC01-17-0122	HEX.BOLT 3/8"-16 X 3" LONG (GRADE 2)	2
37	NC02-32-0012	LOCK WASHER Ø 3/8"	5
38	NC02-07-0018	HEX.NUT 3/8"-16	5
39	26-04-0010	ENGINE BASE	1
40	NC01-17-0117	HEX.BOLT 3/8"-16 X 1 3/4" LG (GRADE 2)	2
41	NC02-32-0012	LOCK WASHER Ø 3/8"	2
42	NC02-07-0018	HEX.NUT 3/8"-16	2
43	NC13-25-0110	GAS HOSE PROTECTOR CLAMPS	1
44	26-21-0035	OIL DRAIN EXTENSION	1
45	NC13-15-0060	O-RING 13/16" Dia. X Ø 5/8" X 3/32 "	1
46	NC17-60-0019	CHOKE ROD	1
47	26-55-3105	POSITIVE CABLE ASSY.	1
48	NC01-96-0009	NYLON INSERT LOCKNUTS 1/4"-20	1
49	22-13-0110	MANIFOLD STUD SPEACER	2
50	NC13-37-0478	EXHAUST MANIFOLD GASKET	2
51	22-01-1545	MUFFLER SUPPORT (LEFT)	1
52	26-03-3000	CABLE SHIELD	1
53	NC13-37-0481	EXHAUST MANIFOLD	1
54	NC13-37-0492	SPECIAL LOCK WASHER	4
55	NC13-37-0491	METRIC NUT 8 mm	4
56	26-55-2210	MANIFOLD GUARD ASSY.	1

PULL - TYPE LEAF BLOWER BWT 180

REF.	PART NO.	DESCRIPTION	QTE
57	NC02-32-0011	LOCK WASHER Ø 5/16"	2
58	NC01-45-0184	METRIC BOLT 8MM X 20MM (GRADE 8.8)	2
59	26-01-3120	MANIFOLD GUARD BRACKET	1
60	NC02-40-0080	MACHINE SCREWS SQUARE SOCKET #10-24 X 1/2" LG	4
61	NC01-96-0006	NYLON INSERT LOCKNUTS 10-24	4
63	NC02-32-0011	LOCK WASHER Ø 5/16"	2
64	NC01-17-0058	HEX.BOLT 5/16"-18 X 3/4" LG (GR2)	2
65	NC02-32-0011	LOCK WASHER Ø 5/16"	2
66	NC02-07-0017	HEX.NUT 5/16"-18	2
67	22-01-0097	MUFFLER BRACKET	1
68	NC01-45-0186	METRIC BOLT 8MM X 25MM (GRADE 5)	2
69	NC02-32-0011	LOCK WASHER Ø 5/16"	2
70	NC01-17-0058	HEX.BOLT 5/16"-18 X 3/4" LG (GR2)	2
71	NC02-32-0011	LOCK WASHER Ø 5/16"	2
72	NC02-07-0017	HEX.NUT 5/16"-18	2
73	NC13-37-0510	SPARK ARRESTOR FOR 23 HP KAWASAKI	1
74	22-50-1005	MUFFLER	1
75	22-50-1000	MUFFLER GUARD	1
76	NC02-32-0010	LOCK WASHER Ø 1/4"	4
77	NC01-37-0004	HEX.BOLT 1/4"-28 X 3/4" LG (GRADE 8)	4
78	26-20-0065	EXTRACTOR BOLT	1
79	26-55-3075	EXTRACTOR BOLT BUSHING COMPL.	1
80	26-09-0505	IMPELLER SHAFT CONE	1
81	26-20-0055	IMPELLER SHAFT CAP	1
82	NC02-32-2013	LOCK WASHER Ø 7/16"	1
83	NC01-37-0151	BOLT HEX.7/16"-20 X 5" LONG (GRADE8)	1
84	22-55-0590	MOTOR FAN GUARD COMPL.	1
85	26-55-3145	GREY WIRE 18GA X 162" LG & BROWN & YELLOW 3 1/2" LG ASSY.	1
86	22-57-0610	ACTUATOR (12 VOLTS) & ACTUATOR SUPPORT KIT ASSY.	1
87	26-21-0087	RETAINING CABLE BUSHING FOR ACTUATOR	1
88	22-57-0615	GAS CABLE & GAS CABLE ADJUSTABLE SCREW KIT ASSY.	1
89	NC01-84-0100	GAS CABLE ADJUSTABLE SCREW	1
90	NC01-69-0377	SPRING PIN 1/8" X 3/4" LG	1
91	26-44-0005	SPRING GALV. 380" Dia. X 2" LONG	1

SYSTÈME ÉLECTRIQUE (B.W.T. 180)
WIRING ELECTRIC SYSTEM
(B.W.T. 180)



PULL - TYPE LEAF BLOWER BWT 180

REF.	PART NO.	DESCRIPTION	QTE
1	26-55-3100	ELECTRIC SUPPLY WIRE FROM BATTERY ASSY	1
2	26-55-3110	SUPPLY CABLE FROM CONTACT TO SWITCH ASSY.	1
3	26-55-3105	POSITIVE CABLE ASSY.	1
4	26-55-3130	ELECTRIC SUPPLY WIRE FROM SELENOIL TO ENGINE ASSY.	1
5	26-55-3115	YELLOW WIRE FROM ENGINE TO SELENOIL ASSY.	1
6	26-55-3125	ELECTRIC SUPPLY WIRE FROM SWITCH TO MOTOR ASSY.	1
7	26-55-3120	RED WIRE FROM SWITCH TO SELENOIL ASSY.	1
N/I	NC13-37-0508	20 FUSE CASE AMPS ASSY.	1
N/I	NC13-37-0570	20 AMPS FUSE	1
N/I	NC13-37-0513	AMPS 20 FUSE	1
8	26-55-3145	GREY WIRE 18GA X 162" LG & BROWN & YELLOW 3 1/2" LG ASSY.	1
9	26-55-3155	GREEN WIRE FROM SWITCH TO ACTUATOR SWITCH ASSY.	1
10	26-55-3150	RED WIRE FROM SWITCH TO ACTUATOR SWITCH ASSY.	1

STICKER BWT 180

REF.	PART NO.	DESCRIPTION	QTE
N/I	26-58-3000	STICKER KIT (BWT 180)	1
N/I	01-60-0060	STICKER DANGER FIRE HAZARD .STOP ENGINE FIVE MINUTES BEFORE...	1
N/I	06-60-0000	STICKER AGRIMÉTAL INC "MEDIUM"	1
N/I	16-60-0025	STICKER FRAME LEVEL	2
N/I	01-60-0005	STICKER AGRIMÉTAL INC "SMALL"	1
N/I	NC13-33-0108	STICKER CAUTION / READ OPERATOR'S MANUAL BEFORE STARTING...	1
N/I	NC13-33-0110	STICKER DANGER THROWN OBJECT HAZARD...	2
N/I	NC13-33-0111	STICKER LEFT RIGHT	1
N/I	NC13-33-0095	STICKER OFF ON START (2 3/4" X 1 3/8")	1
N/I	NC13-33-0124	STICKER DIRECTION (ARROW)	2