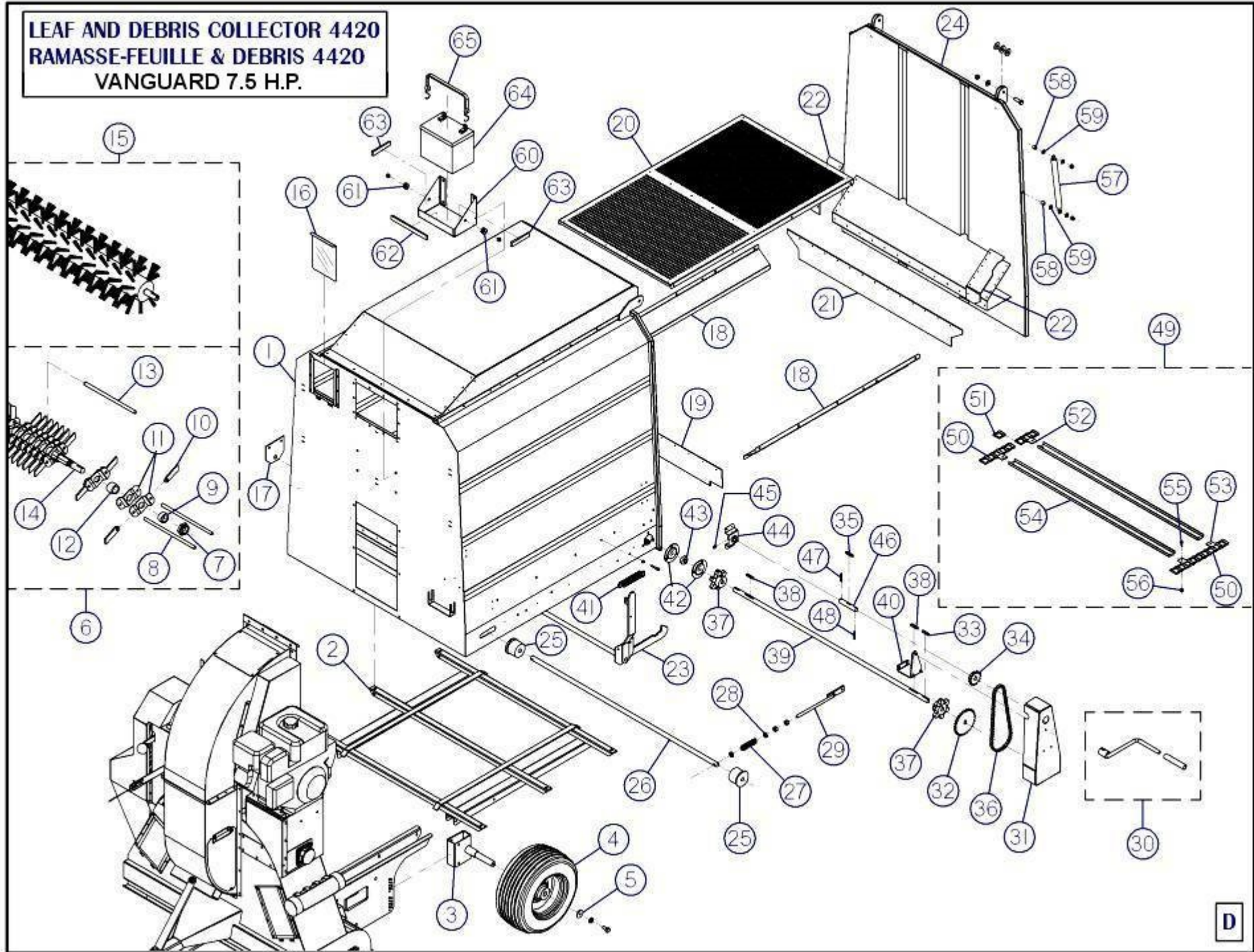


LEAF AND DEBRIS COLLECTOR 4420
RAMASSE-FEUILLE & DEBRIS 4420
VANGUARD 7.5 H.P.



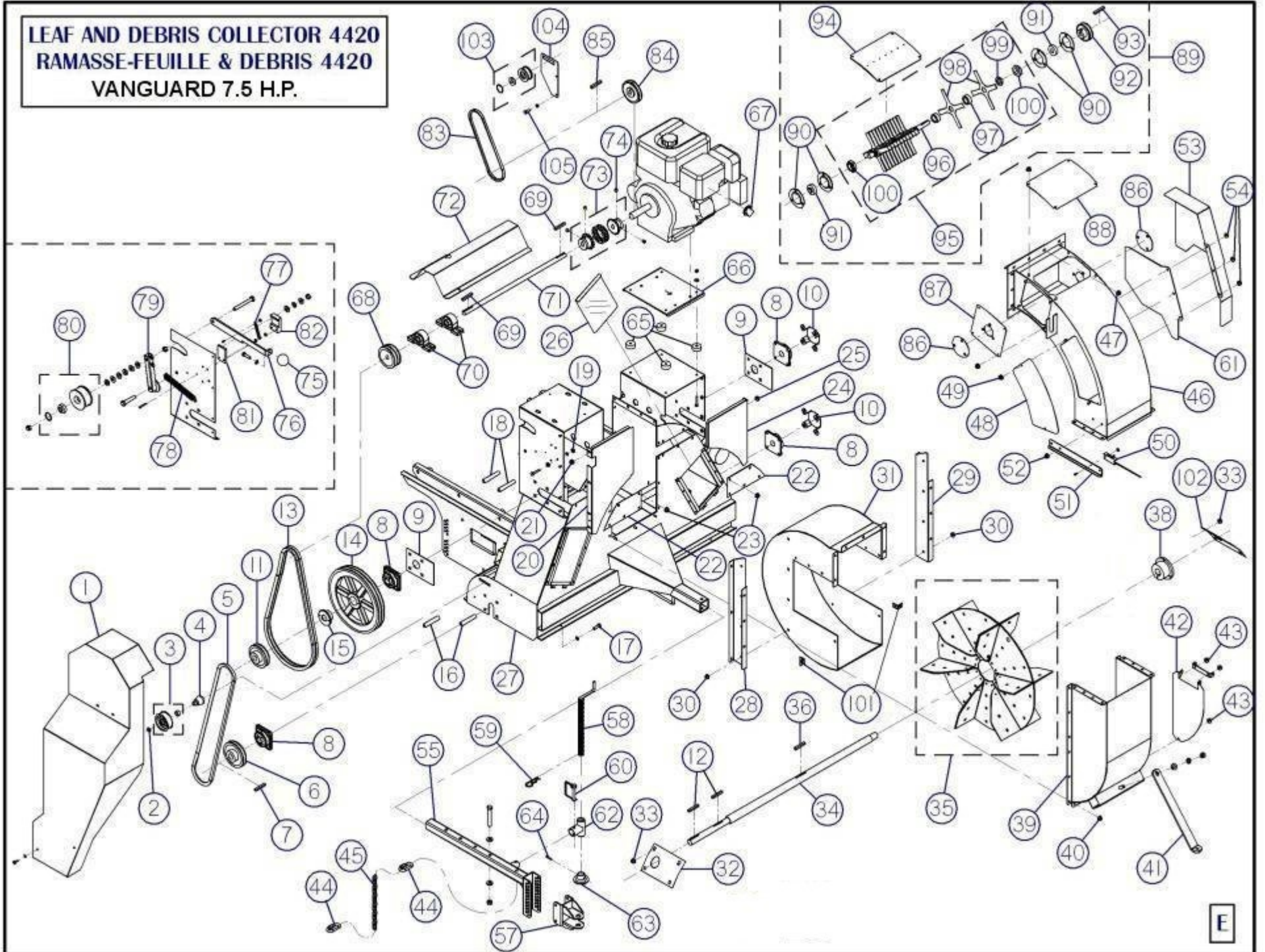
LEAF AND DEBRIS COLLECTOR MOD: 4420 (VANGUARD 7.5 H.P.)

REF.	PART NO.	DESCRIPTION	QTE
1	23-57-1070	BOX "STICKER INCLUDED"	1
2	23-50-0025	FRAME	1
3	23-50-0020	WHEEL AXLE	2
4	NC14-70-0078	PNEUMATIC WHEEL 16" Dia. X 4 PLIS X COMPL.	2
N/I	NC14-70-0083	TIRE 16 X 6.5 - 8	2
N/I	NC14-70-0084	RIM 8" Dia.	2
N/I	NC14-70-0085	BALL BEARING # 6205 X Ø 1"	2
N/I	NC14-70-0086	VALVE TR413	2
5	01-33-0010	FLAT WASHER 1 1/2" Dia. X Ø 25/64" X 11GA	2
6	23-55-0020	NYLON FLAIL BRUSH ROTOR COMPL.	1
7	NC01-98-0020	NYLON INSERT LOCKNUTS 1 1/8"-12	2
8	23-13-0605	HAMMER PIVOT SHAFT (14.145" LG)	4
9	23-21-0010	BOTH EXTREMITY ROTOR SPACER (ALUMINUM) .795" LG	2
10	NC17-46-0015	NYLON HAMMER (UNIT)	52
11	23-01-7615	HAMMER SUPPORT	52
12	NC17-46-0017	ROTOR SPACER (NYLON) 1.400" LONG	25
13	23-13-0600	HAMMER PIVOT SHAFT (12.537" LG)	2
14	23-25-2400	ROTOR SHAFT (48 7/8" LG)	1
15	NC17-02-0293	NYLON BRUSH ROTOR	1
16	23-42-0010	CLEAR ACCES DOOR (BOX)	1
17	23-01-7610	DOOR LATCH SUPPORT	1
18	23-01-2645	CONVEYOR DEFLECTOR	2
19	23-57-0040	RUBBER PAD ASSY. "FLAT WASHER AND POT RIVET INCLUDED"	1
20	23-55-0025	EXHAUST SCREEN (Ø 1/4")	1
21	23-57-0255	RUBBER PAD ASSY. (BACK DOOR) "FLAT WASHER AND POT RIVET INCLUDED"	1
22	23-57-0260	RUBBER PAD ASSY. (DOOR SIDE) "FLAT WASHER AND POT RIVET INCLUDED"	2
23	23-50-1055	DOOR LATCH	1
24	23-57-1185	BACK DOOR "STICKER INCLUDED"	1
25	23-42-0105	PLASTIC IDLER ROLLER 3" Dia. X 2 1/8" LG	2
26	23-13-1005	IDLER SHAFT 3/4" Dia. X 46 1/8" LG	1
27	NC13-86-0050	BLUE SPRING 1" Dia. X 4" LG	2
28	01-01-2485	FLAT WASHER 13/16" Dia. X Ø 25/64" X 14GA	2
29	23-50-0080	CONVEYOR CHAIN TIGHTNER	2
30	23-55-0050	CRANK HANDLE	1
31	23-57-1090	MANUAL CONVEYOR CHAIN GUARD ASSY.	1
32	NC14-55-0235	SPROCKET 40B30H X Ø 3/4" KW 1/4" 2SS 5/16"-18	1
33	01-41-0905	SQUARE KEY 3/16" X 3/16" X 1 1/4" LG	1
34	NC14-55-0234	SPROCKET 40B15H X Ø 3/4" KW 3/16" 2SS 5/16"-18	1
35	NC01-65-0089	SQUARE KEY 3/16" X 3/16" X 1 1/16" LONG	1
36	23-37-1000	CHAIN #40 X 28" LG	1
37	NC14-56-0010	CAST IRON SPROCKET 62B6 X Ø 3/4" KW 1/4" 2SS 5/16"-18	2
38	01-41-0910	SQUARE KEY 1/4" X 1/4" X 1 1/2" LG	2
39	23-13-1035	CONVEYOR DRIVE SHAFT	1
40	23-50-1045	MANUAL CONVEYOR CHAIN GUARD SUPPORT	1
41	NC13-85-0008	SPRING 7/8" Dia. X 5" LG	1
42	NC14-75-0008	PRESS.STEEL FLANGE	4
43	NC14-75-0014	BALL BEARING SB 204-12 X Ø 3/4"	2
44	23-50-1040	CRANK SHAFT SUPPORT	1
45	NC01-69-0785	GREASE FITTING 1/4"-28 (STRAIGHT)	1
46	23-13-1030	CRANK SHAFT	1
47	NC01-69-0461	SPRING PIN 1/4" X 1 1/2" LG	1
48	NC01-69-0465	SPRING PIN 1/4" X 2" LG	1
49	23-55-0010	CHAIN #62 AND U PADDLE ASSY.	1
50	23-37-0190	CHAIN #62 53 LINKS .RIGHT SIDE / 53 LINKS .LEFT SIDE " FLOOR "	1
N/I	04-37-0205	CHAIN (BOTH SIDE) #62 / FT	1
51	NC14-20-0035	LINK #62	2

LEAF AND DEBRIS COLLECTOR MOD: 4420 (VANGUARD 7.5 H.P.)

REF.	PART NO.	DESCRIPTION	QTE
N/I	NC14-20-0003	COUPLING LINK #62	2
52	NC14-20-0004	RIGHT ATTACHMENT LINK #62	1
53	NC14-20-0005	LEFT ATTACHMENT LINK #62	1
54	23-01-3320	U PADDLE 39 11/16" LG	11
55	NC01-37-0003	HEX.BOLT 1/4"-28 X 5/8" LG (GRADE 8)	22
56	NC01-97-0004	NYLON INSERT LOCKNUTS 1/4"-28	22
57	23-55-1110	GAS CYLINDER	2
58	01-09-0000	ROLLER BEARING BUSHING	6
59	01-01-2485	FLAT WASHER 13/16" Dia. X Ø 25/64" X 14GA	20
60	22-01-2430	BATTERY SUPPORT	1
61	22-21-0010	RUBBER STRAP BUSHING	2
62	22-42-0205	FOAM STICKER 7" LG	2
63	22-42-0210	FOAM STICKER 4" LG	2
64	NC13-12-0001	BATTERY (12 VOLTS)	1
65	NC13-15-0008	RUBBER STRAP 12" LG	1

LEAF AND DEBRIS COLLECTOR 4420
RAMASSE-FEUILLE & DEBRIS 4420
VANGUARD 7.5 H.P.



LEAF AND DEBRIS COLLECTOR MOD: 4420 (VANGUARD 7.5 H.P.)

REF.	PART NO.	DESCRIPTION	QTE
1	23-57-0250	PULLEY GUARD "STICKER INCLUDED"	1
2	01-01-2485	FLAT WASHER 13/16" Dia. X Ø 25/64" X 14GA	1
3	01-39-0600	IDLER PULLEY PI-300 " BUSHING INCLUDED "	1
N/I	NC13-80-0061	BUSHING 5/8" X 1/2" X 3/8"	1
4	23-21-0005	BELT TIGHTENER	1
5	NC14-25-1534	V BELT AX-56 (1/2" X 58")	1
6	NC14-62-0172	PULLEY MA45 X Ø 1" KW 1/4" 2SS 5/16"-18	1
7	01-41-0910	SQUARE KEY 1/4" X 1/4" X 1 1/2" LG	1
8	NC14-75-0023	FLANGE BEARING Ø 1" UCF 205-16	4
9	23-01-3385	IMPELLER SHAFT GUARD	2
10	23-01-3600	BEARING GUARD	2
11	NC14-62-0169	PULLEY MA40 X Ø 1" KW 1/4" 2SS 5/16"-18	1
12	01-41-0910	SQUARE KEY 1/4" X 1/4" X 1 1/2" LG	2
13	NC14-25-1533	V BELT AX-55 (1/2" X 57")	2
14	NC14-62-0083	CAST IRON SHAVE PULLEY 2MAL112	1
15	NC14-62-0174	TAPERED QD BUSHING L 1" KW 5/16"	1
16	23-21-0040	PULLEY GUARD SUPPORT (3.290" LG)	2
17	NC01-29-0003	HEX.BOLT.1/4"-28 X 5/8" LG (GRADE 5)	2
18	23-21-0035	PULLEY GUARD SUPPORT (3 1/2" LG)	2
19	NC01-29-0003	HEX.BOLT.1/4"-28 X 5/8" LG (GRADE 5)	2
20	23-57-0243	BEARING SUPPORT GUARD "STICKER INCLUDED"	1
21	NC02-14-0017	FLANGE LOCKNUT HEX. 1/4"-20 (GRADE B)	4
22	23-01-3350	SUCTION PICK-UP HEAD ACCESS DOOR	2
23	NC02-14-0017	FLANGE LOCKNUT HEX. 1/4"-20 (GRADE B)	10
24	23-01-3195	MOTOR BASE SUPPORT GUARD	1
25	NC02-14-0017	FLANGE LOCKNUT HEX. 1/4"-20 (GRADE B)	4
26	23-42-0005	CLEAR ACCESS DOOR (SUCTION BOX)	2
27	23-57-1080	SUCTION PICK-UP HEAD "STICKER INCLUDED"	1
28	23-01-3360	RIGHT BOX SUPPORT CHANNEL	1
29	23-01-3365	LEFT BOX SUPPORT CHANNEL	1
30	NC02-14-0017	FLANGE LOCKNUT HEX. 1/4"-20 (GRADE B)	16
31	23-50-0005	BLOWER CASING (BACK)	1
32	23-01-3375	IMPELLER SHAFT GUARD (RIGHTSIDE)	1
33	NC02-14-0017	FLANGE LOCKNUT HEX. 1/4"-20 (GRADE B)	8
34	23-13-1605	IMPELLER SHAFT	1
35	23-55-0005	IMPELLER	1
36	01-41-0920	SQUARE KEY 1/4" X 1/4" X 2" LG	1
38	NC14-62-0019	TAPERED QD BUSHING SK Ø 1 1/4" K.W. 1/4" (PTO)	1
39	23-50-0010	BLOWER CASING FRONT	1
40	NC02-14-0017	FLANGE LOCKNUT HEX. 1/4"-20 (GRADE B)	15
41	23-05-1500	HITCH REINFORCEMENT	1
42	23-55-0075	LEFT IMPELLER BOX ACCESS DOOR "STICKER INCLUDED"	1
43	NC02-14-0017	FLANGE LOCKNUT HEX. 1/4"-20 (GRADE B)	3
44	NC01-75-0015	RAPID LINK 5/16"	2
45	26-41-0000	SAFETY CHAIN "66 LINKS"	1
46	23-57-1190	CHUT ELBOW 90° "STICKER INCLUDED"	1
47	NC02-14-0017	FLANGE LOCKNUT HEX. 1/4"-20 (GRADE B)	25
48	23-55-1055	CHUT ELBOW ACCESS DOOR "STICKER INCLUDED"	1
49	NC02-14-0017	FLANGE LOCKNUT HEX. 1/4"-20 (GRADE B)	2
50	NC13-37-0581	GAS CÂBLE AND CONTROL LEVER (41" LG)	1
51	23-01-1625	THROTTLE-LEVER SUPPORT	1
52	NC02-14-0017	FLANGE LOCKNUT HEX. 1/4"-20 (GRADE B)	2
53	23-50-1065	BEFORE MOTOR SHAFT GUARD (VANGUARD)	1
N/I	23-50-1066	BEFORE MOTOR SHAFT GUARD (KOHLER)	1
N/I	23-50-1067	BEFORE MOTOR SHAFT GUARD (HONDA)	1
54	NC02-14-0017	FLANGE LOCKNUT HEX. 1/4"-20 (GRADE B)	3

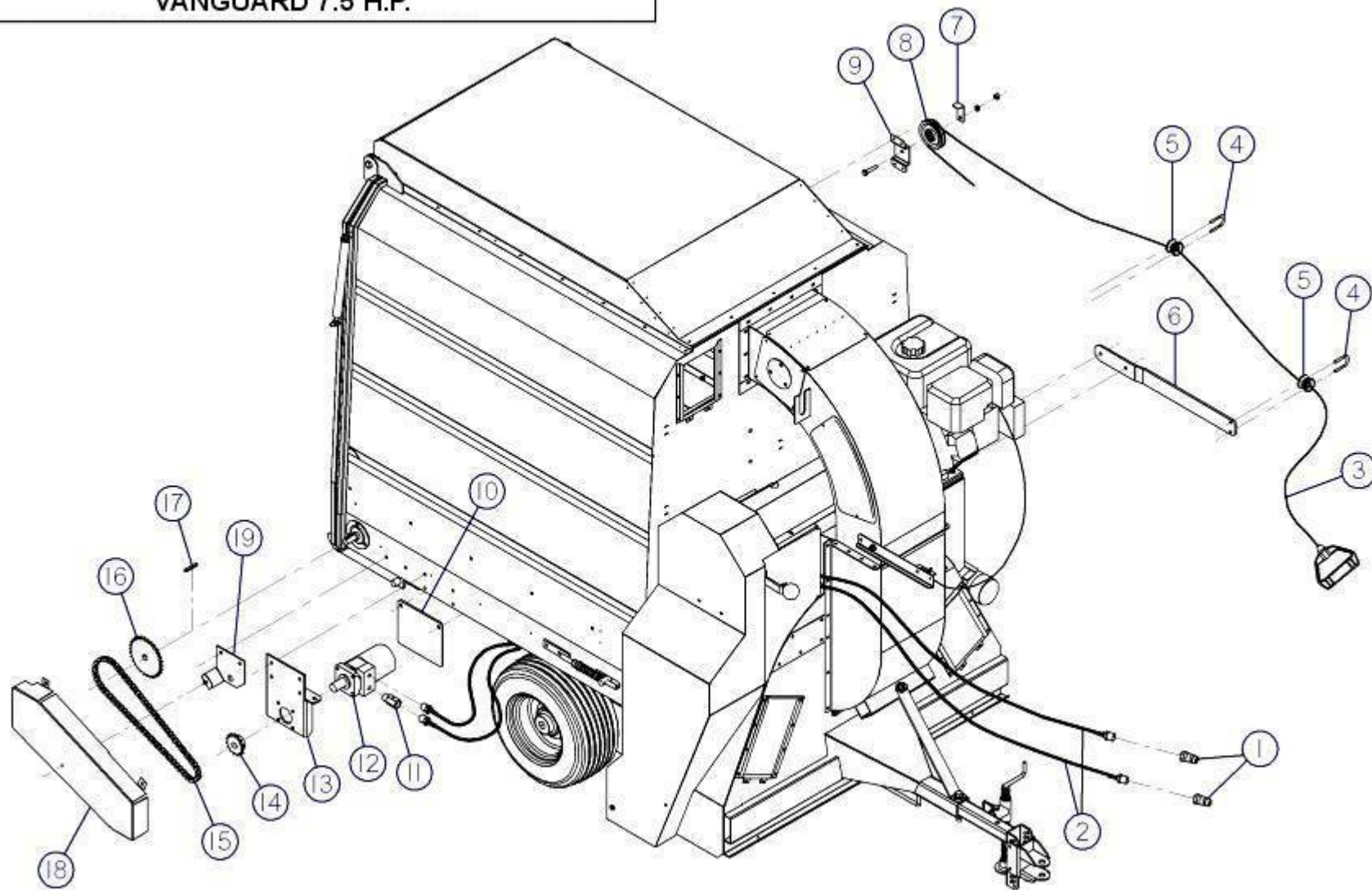
LEAF AND DEBRIS COLLECTOR MOD: 4420 (VANGUARD 7.5 H.P.)

REF.	PART NO.	DESCRIPTION	QTE
55	23-50-0040	TELESCOPING HITCH	1
57	23-55-0110	HITCH	1
58	26-50-2135	HITCH JACK	1
59	NC01-63-0026	HITCH PIN CLIPS 5/32" X 3" LG	1
60	NC01-69-1306	LOCK PIN 3/8" Dia. X 2 1/2" LG	1
61	23-01-3105	BACK MOTOR SHAFT GUARD	1
62	23-50-0065	JACK SUPPORT	1
63	26-21-0015	JACK'S SHOES	1
64	NC01-69-0423	SPRING PIN 3/16" X 1 1/4" LG	1
65	NC13-15-0031	RUBBER MOUNT	4
66	23-01-1515	BEFORE -05/09 MOTOR BASE (7.5 HP)	1
67	NC13-37-0583	MUFFLER DEFLECTOR (6 HP & 7.5 HP)	1
68	NC14-62-0162	PULLEY 2MA40 X Ø 3/4" KW 3/16" 2SS 5/16"-18	1
69	NC01-65-0096	SQUARE KEY 3/16 X 3/16 X 1 1/2" LG	2
70	NC14-75-0031	PILLOW BEARING Ø 3/4" (UCP204-12)	2
71	23-13-1025	DRIVE SHAFT	1
72	23-57-1233	BEARING DRIVE SHAFT GUARD "STICKER INCLUDED"	1
73	NC14-55-0169	COUPLING 4016 X Ø 3/4" KW 3/16" 2SS 5/16"-18	1
N/I	NC14-55-0154	COUPLING 4016 X Ø 1" KW 1/4" 2SS 5/16"-18	1
N/I	NC14-20-0030	DOUBLE CHAIN #4016	1
74	NC02-44-0103	ALLENS SET SCREW 5/16"-18 X 3/8" LG	4
75	NC17-46-0018	PLASTIC KNOB	1
76	23-04-0200	BELT-TIGHTENER ARM	1
77	NC13-85-0030	SPRING 3/8" Dia. X 2" LG	1
78	NC13-85-0008	SPRING 7/8" Dia. X 5" LG	1
79	23-50-0060	BELT-TIGHTENER	1
80	23-55-0030	IDLER PULLEY ASSY.	1
N/I	23-21-0060	IDLER PULLEY 3 1/2" Dia. X 1 7/8" LG	1
N/I	NC14-75-0068	BEARING #99502H	1
N/I	NC13-80-0061	BUSHING 5/8" X 1/2" X 3/8"	1
N/I	NC01-64-0142	RETAINING RINGS INTERNAL FOR Ø 1 3/8"	1
81	23-42-0110	BELT-TIGHTENER ARM COVER	1
82	23-42-0115	BELT-TIGHTENER ARM GUIDE	1
83	NC14-25-0265	V-BELT A-38 (1/2" X 40")	1
84	23-39-0060	PULLEY MA40 X Ø 1" KW 1/4" 2SS 5/16"-18	1
85	01-41-0920	SQUARE KEY 1/4" X 1/4" X 2" LG	1
86	23-01-3200	ACCESS DOOR GUARD (BEARING)	2
87	23-01-3085	ACCESS DOOR (ELBOW SIDE)	1
88	23-01-3095	ACCESS DOOR (ELBOW TOP)	1
89	23-57-1265	MULCHING KIT ASSY MOD: 4420 (VANGUARD MOTOR)	1
90	NC14-75-0008	PRESS.STEEL FLANGE	4
91	NC14-75-0014	BALL BEARING SB 204-12 X Ø 3/4"	2
92	NC14-62-0172	PULLEY MA45 X Ø 1" KW 1/4" 2SS 5/16"-18	1
93	01-41-0910	SQUARE KEY 1/4" X 1/4" X 1 1/2" LG	1
94	23-50-1070	ACCESS DOOR (COUNTER-KNIFES)	1
95	23-55-0080	ROTOR HAMMER ASSY.(VANGUARD MOTOR)	1
96	23-25-2405	HAMMER SHAFT (VANGUARD MOTOR)	1
97	NC17-46-0016	ROTOR SPACER (NYLON) .625" LG	12
98	23-01-3185	HAMMER (ELBOW)	13
99	23-21-0025	BOTH EXTREMITY ROTOR SPACER (5/16" LG)	2
100	NC01-98-0018	NYLON INSERT LOCKNUTS 7/8"-14	2
101	23-01-2465	CASING BLOWER SUPPORT	2
102	23-01-3380	IMPELLER SHAFT GUARD (RIGHTSIDE)	1
103	23-55-0085	IDLER PULLEY ASSY.	1
N/I	23-21-0065	ONLY IDLER PULLEY	1
N/I	NC14-75-0068	BEARING #99502H	1

LEAF AND DEBRIS COLLECTOR MOD: 4420 (VANGUARD 7.5 H.P.)

REF.	PART NO.	DESCRIPTION	QTE
N/I	NC01-64-0142	RETAINING RINGS INTERNAL FOR Ø 1 3/8"	1
N/I	NC13-80-0061	BUSHING 5/8" X 1/2" X 3/8"	1
104	23-01-1060	BELT-TIGHTENER SUPPORT	1
105	NC01-21-0058	HEX. BOLT 5/16"-24 X 3/4" LG (GRADE 2)	2
106	23-01-7660	GUARD BRAKET	1

**LEAF AND DEBRIS COLLECTOR 4420 (HYDRAULIC OPTION)
RAMASSE-FEUILLE & DEBRIS 4420 (OPTION HYDRAULIQUE)
VANGUARD 7.5 H.P.**



LEAF AND DEBRIS COLLECTOR MOD: 4420 (VANGUARD 7.5 H.P.)

REF.	PART NO.	DESCRIPTION	QTE
1	NC13-45-0014	QUICK DISCON.COUPLER 1/2"-14 NPTF	2
2	23-55-1040	HOSE HYDR. 3/8-H ASS.1/2-14 MALE RIG.X 1/2-14 MALE RIG.X 132" LG	2
3	23-55-1010	BACK DOOR HANDLE ASSY.	1
4	NC01-61-0001	U BOLT 1/4"-20	2
5	NC13-80-0203	REAR DOOR CABLE SLEEVE	2
6	23-04-0215	DOOR CABLE SUPPORT	1
7	23-01-2475	CABLE STOPPER	1
8	NC14-63-0001	PLASTIC PULLEY FOR CABLE	1
9	23-01-2470	PULLEY SUPPORT	1
10	23-04-0080	HYDRAULIC MOTOR GUARD	1
11	NC13-45-0020	CHECK VALVE 1/2" NPT	1
12	NC14-45-0004	HYDRAULIC MOTOR	1
13	23-50-1060	HYDRAULIC MOTEUR SUPPORT	1
14	NC14-55-0027	SPROCKET 40B15 X Ø 1" KW 1/4"	1
15	23-37-1010	CHAIN #40 X 39 3/4" LG	1
16	NC14-55-0235	SPROCKET 40B30H X Ø 3/4" KW 1/4" 2SS 5/16"-18	1
17	01-41-0905	SQUARE KEY 3/16" X 3/16" X 1 1/4" LG	1
18	23-57-1025	CHAIN GUARD "STICKER INCLUDED"	1
19	23-50-1050	DOOR LATCH PIVOT	1

STICKER LEAF AND DEBRIS COLLECTOR MOD:4420 (VANGUARD 7.5 H.P.)

REF.	PART NO.	DESCRIPTION	QTE
N/I	23-58-1000	STICKER KIT (LEAF AND DEBRIS COLLECTOR 4420)	1
N/I	16-60-0020	STICKER DANGER THROWN OBJECT HAZARD...	2
N/I	15-60-0010	STICKER WARNING HIGH-PRESSURE FLUID HAZARD...	1
N/I	01-60-0070	STICKER WARNING MISSING SHIELD HAZARD...	1
N/I	01-60-0115	STICKER WARNING ROTATING PART HAZARD...	1
N/I	01-60-0110	STICKER WARNING ROTATING PART HAZARD...	1
N/I	16-60-0040	STICKER IMPORTANT 3 1/2 INCHES 89 MM	1
N/I	03-60-0005	STICKER GREASE GUN	7
N/I	16-60-0025	STICKER FRAME LEVEL	2
N/I	01-60-0005	STICKER AGRIMÉTAL INC "SMALL"	1
N/I	06-60-0000	STICKER AGRIMÉTAL INC "MEDIUM"	1
N/I	NC13-33-0113	STICKER WARNING MISSING SHIELD HAZARD...	1
N/I	NC13-33-0098	STICKER WARNING ROTATING BLADE HAZARD...	2
N/I	NC13-33-0112	STICKER DANGER BLOWER BLADE HAZARD...	4
N/I	NC13-33-0146	STICKER DANGER UPENDING HAZARD...	1
N/I	NC13-33-0147	STICKER CAUTION 1. READ OPERATOR'S MANUAL BEFORE STARTING...	1
N/I	NC13-33-0109	STICKER DANGER FIRE HAZARD NO SMOKING	1
N/I	NC13-33-0135	STICKER LEFT SIDE LEAF AND COLLECTOR	1
N/I	NC13-33-0136	STICKER RIGHT SIDE LEAF AND COLLECTOR	1
N/I	NC13-33-0140	STICKER 4420 AND LEAF COLLECTOR	2
N/I	NC13-33-0142	STICKER PICTOGRAMME...	1
N/I	NC13-33-0151	STICKER IMPORTANT TO PREVENT ENGINE FAILURE ALWAYS...	1