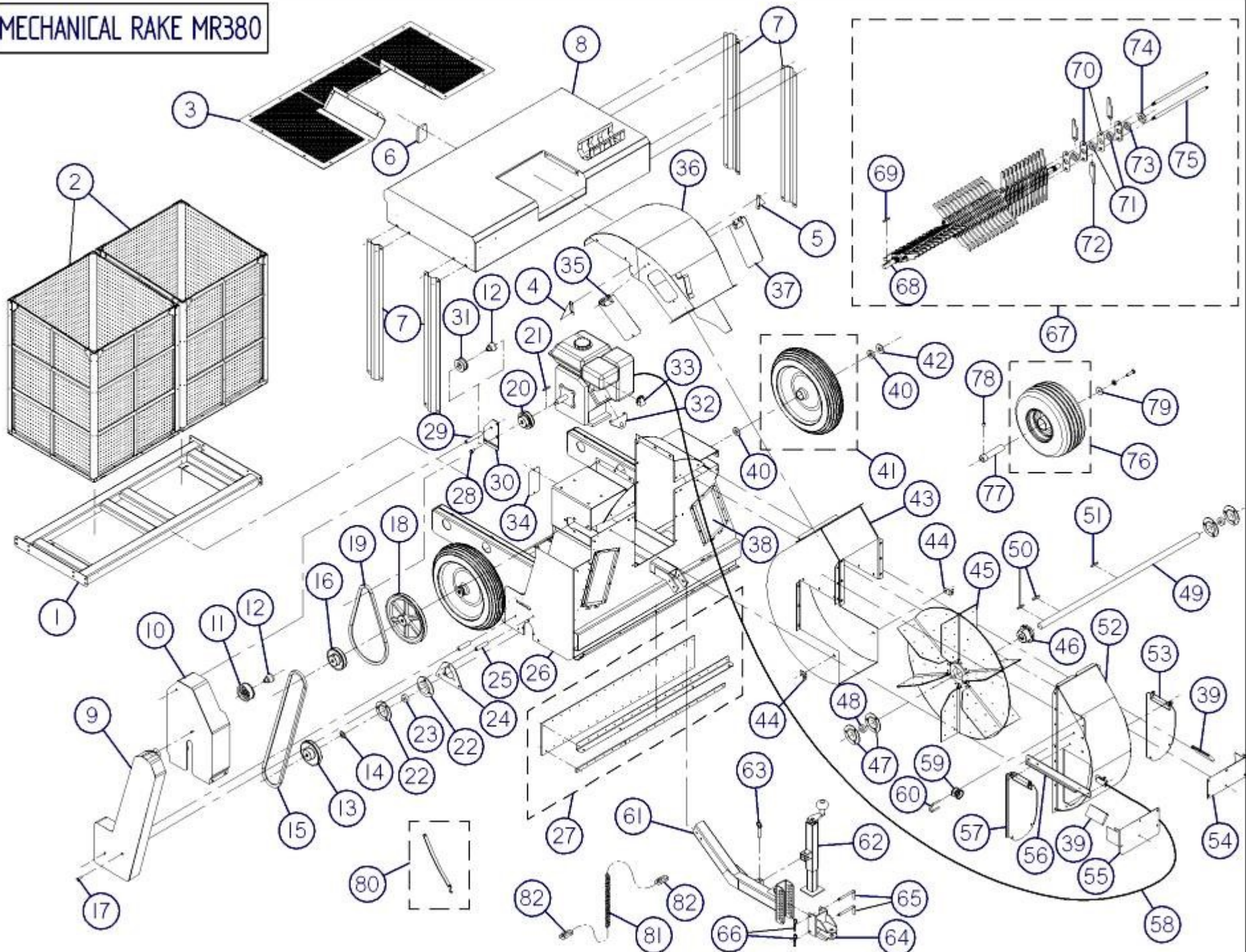


MECHANICAL RAKE MR380



MECHANICAL RAKE (MOD: MR 380)

| REF. | PART NO. | DESCRIPTION | QTE |
|------|--------------|--|-----|
| 1 | 38-50-0055 | RECUPERATION CONTAINER SUPPORT | 1 |
| 2 | 38-55-0017 | RECUPERATION BOX COMPL. | 2 |
| N/I | 38-55-0015 | RECUPERATION BOX ASSY. | 2 |
| N/I | NC17-11-0009 | RECUPERATION BAG 45.9 gls | 2 |
| 3 | 38-55-0075 | SCREEN Ø 1/4" ASSY. | 1 |
| 4 | 38-03-1815 | RIGHT CORNER | 1 |
| 5 | 38-03-1816 | LEFT CORNER | 1 |
| 6 | 38-42-0150 | RECUPERATION BOX STOPPER | 1 |
| 7 | 38-01-3050 | RECUPERATION COVER SUPPORT | 4 |
| 8 | 38-57-0090 | RECUPERATION COVER "STICKER INCLUDED" | 1 |
| 9 | 38-57-0173 | PULLEY GUARD COMPL. "STICKER INCLUDED" | 1 |
| 10 | 38-57-0175 | MOTOR GUARD ASSY. "STICKER INCLUDED" | 1 |
| 11 | 01-39-0600 | IDLER PULLEY PI-300 " BUSHING INCLUDED " | 1 |
| 12 | 36-21-0000 | IDLER PULLEY SUPPORT | 2 |
| 13 | NC14-62-0176 | PULLEY MA40 X Ø 3/4" KW 3/16" 2SS 5/16"-18 | 1 |
| 14 | 01-33-0035 | FLAT WASHER 1 1/4" Dia. X Ø 3/4" X 10GA | 1 |
| 15 | NC14-25-1534 | V BELT AX-56 (1/2" X 58") | 1 |
| 16 | NC14-62-0169 | PULLEY MA40 X Ø 1" KW 1/4" 2SS 5/16"-18 | 1 |
| 17 | NC01-37-0004 | HEX.BOLT 1/4"-28 X 3/4" LG (GRADE 8) | 2 |
| 18 | NC14-62-0186 | PULLEY MA90 X Ø 1" KW 1/4" 2SS 5/16"-18 | 1 |
| 19 | NC14-25-1515 | V BELT AX-37 (1/2" X 39") | 1 |
| 20 | NC14-62-0185 | PULLEY MA33 X Ø 3/4" KW 3/16" 2SS 5/16"-18 | 1 |
| 21 | NC01-65-0096 | SQUARE KEY 3/16 X 3/16 X 1 1/2" LG | 1 |
| 22 | NC14-75-0008 | PRESS.STEEL FLANGE | 4 |
| 23 | NC14-75-0014 | BALL BEARING SB 204-12 X Ø 3/4" | 2 |
| 24 | 37-01-3010 | ROTOR ROLLER SUPPORT | 2 |
| 25 | 38-21-0010 | PULLEY GUARD SUPPORT | 2 |
| 26 | 38-57-0000 | ROTARY HAMMER CASING " STICKER INCLUDED" | 1 |
| 27 | 38-55-0055 | RUBBER PAD ASSY. | 1 |
| 28 | NC01-45-0184 | METRIC BOLT 8MM X 20MM (GRADE 8.8) | 1 |
| 29 | 38-21-0015 | MOTOR GUARD SUPPORT | 1 |
| 30 | 38-01-0900 | MOTOR TIGHTENER SUPPORT | 1 |
| 31 | 36-55-0025 | IDLER PULLEY 2 1/4" COMPL. | 1 |
| N/I | 36-21-0005 | IDLER PULLEY ONLY (2 1/4" Dia.) | 1 |
| N/I | NC14-75-0068 | BEARING #99502H | 1 |
| N/I | NC01-64-0142 | RETAINING RINGS INTERNAL FOR Ø 1 3/8" | 1 |
| 32 | 38-22-2305 | INTERRUPTOR SUPPORT | 1 |
| 33 | NC13-37-0587 | 3 H.P. DEFLECTOR | 1 |
| 34 | 38-02-3675 | MOTOR ACCESS DOOR | 1 |
| 35 | 38-55-0070 | RIGHT SIDE CHUT ELBOW ACCESS DOOR "STICKER INCLUDED" | 1 |
| 36 | 38-57-0085 | CHUT ELBOW 90° "STICKER INCLUDED" | 1 |
| 37 | 38-55-0065 | ACCESS DOOR "STICKER INCLUDED" | 1 |
| 38 | 38-42-0005 | CLEAR ACCESS DOOR (SUCTION BOX) | 2 |
| 39 | 38-42-0140 | IMPELLER SHAFT GUARD | 1 |
| 40 | 38-42-0115 | WHEEL FLAT WASHER | 4 |
| 41 | 01-46-0600 | WHEEL 16" Dia. ASSY. | 2 |
| N/I | NC14-70-0046 | TIRE 4.80 / 4.00-8 | 2 |
| N/I | NC14-70-0045 | TUBE 400-8 | 2 |
| N/I | NC14-70-0048 | RIM 8" Dia. | 2 |
| N/I | NC14-70-0021 | ROLLER BEARING X Ø 3/4" | 1 |
| N/I | NC14-70-0057 | STEEL SHOULDER BUSHING X Ø 3/4" | 4 |
| 42 | 01-33-0010 | FLAT WASHER 1 1/2" Dia. X Ø 25/64" X 11GA | 2 |
| 43 | 38-57-0075 | BLOWER CASING BACK "STICKER INCLUDED" | 2 |
| 44 | 37-01-3090 | CASING BLOWER SUPPORT | 2 |
| 45 | 38-55-0025 | IMPELLER | 1 |
| 46 | NC14-62-0009 | TAPERED QD BUSHING SDS 1" KW 1/4" | 1 |

MECHANICAL RAKE (MOD: MR 380)

| REF. | PART NO. | DESCRIPTION | QTE |
|------|--------------|---|-----|
| 47 | NC14-75-0009 | PRESSED STEEL FLANGE (MS52) | 4 |
| 48 | NC14-75-0016 | BALL BEARING SB 205-16 Ø 1" | 2 |
| 49 | 38-13-1400 | IMPELLER SHAFT | 1 |
| 50 | NC01-65-0087 | SQUARE KEY 1/4" X 1/4" X 1 1/2" LG | 2 |
| 51 | 01-41-0925 | SQUARE KEY 1/4" X 1/4" X 2 3/4" LG | 1 |
| 52 | 38-57-0080 | BLOWER CASING FRONT "STICKER INCLUDED" | 1 |
| 53 | 23-55-0075 | LEFT IMPELLER BOX ACCESS DOOR "STICKER INCLUDED" | 1 |
| 54 | 38-02-3600 | LEFT IMPELLER SHAFT GUARD | 1 |
| 55 | 38-02-3605 | RIGHT IMPELLER SHAFT GUARD | 1 |
| 56 | 38-01-1500 | MOTOR CONTROL CABLE SUPPORT | 1 |
| 57 | 38-55-0060 | RIGHT IMPELLER BOX ACCESS DOOR "STICKER INCLUDED" | 1 |
| 58 | NC13-37-0581 | GAS CABLE AND CONTROL LEVER (41" LG) | 1 |
| 59 | NC13-80-0203 | REAR DOOR CABLE SLEEVE | 1 |
| 60 | NC01-61-0001 | U BOLT 1/4"-20 | 1 |
| 61 | 38-50-0045 | REMOVABLE HITCH | 1 |
| 62 | 38-55-0050 | JACK | 1 |
| 63 | NC01-69-1200 | QUICK RELEASE PIN 3/8" Dia. | 1 |
| 64 | 23-55-0110 | HITCH | 1 |
| 65 | NC01-25-0126 | HEX. BOLT GR5 NC ZINC 3/8-16 X 4 | 2 |
| 67 | 38-55-0005 | NYLON FLAIL BRUSH ROTOR COMPL. | 1 |
| 68 | 38-25-2400 | ROTOR SHAFT | 1 |
| 69 | NC01-65-0089 | SQUARE KEY 3/16" X 3/16" X 1 1/16" LONG | 1 |
| 70 | 37-22-1805 | HAMMER SUPPORT | 81 |
| 71 | NC17-46-0019 | ROTOR SPACER (NYLON) .375" LONG | 79 |
| 72 | NC17-46-0020 | NYLON HAMMER (UNIT) | 78 |
| 73 | 37-21-0110 | BOTH EXTREMITY ROTOR SPACER (ALUMINUM) .313" LG | 2 |
| 74 | NC01-98-0018 | NYLON INSERT LOCKNUTS 7/8"-14 | 2 |
| 75 | 38-13-0615 | HAMMER PIVOT SHAFT 13.062" LG | 6 |
| 76 | NC14-70-0078 | PNEUMATIC WHEEL 16" Dia. X 4 PLIS X COMPL. | 2 |
| N/I | NC14-70-0083 | TIRE 16 X 6.5 - 8 | 2 |
| N/I | NC14-70-0084 | RIM 8" Dia. | 2 |
| N/I | NC14-70-0085 | BALL BEARING # 6205 X Ø 1" | 4 |
| N/I | NC14-70-0086 | VALVE TR413 | 2 |
| 77 | 38-13-1600 | WHEEL AXLE | 2 |
| 78 | NC02-44-0103 | ALLENS SET SCREW 5/16"-18 X 3/8" LG | 2 |
| 79 | 01-33-0010 | FLAT WASHER 1 1/2" Dia. X Ø 25/64" X 11GA | 2 |
| 80 | NC13-15-0008 | RUBBER STRAP 12" LG | 1 |
| 81 | 26-41-0000 | SAFETY CHAIN "66 LINKS" | 1 |
| 82 | NC01-75-0015 | RAPID LINK 5/16" | 2 |

STICKER MECHANICAL RAKE (MOD: MR 380)

| REF. | PART NO. | DESCRIPTION | QTE |
|------|--------------|--|-----|
| N/I | 38-58-0000 | STICKER KIT (MECHANICAL RAKE MR 380) | 1 |
| N/I | 01-60-0005 | STICKER AGRIMÉTAL INC "SMALL" | 1 |
| N/I | 06-60-0000 | STICKER AGRIMÉTAL INC "MEDIUM" | 2 |
| N/I | 01-60-0070 | STICKER WARNING MISSING SHIELD HAZARD... | 1 |
| N/I | 01-60-0110 | STICKER WARNING ROTATING PART HAZARD... | 2 |
| N/I | NC13-33-0152 | STICKER IMPORTANT RUBBER FLAP DOWN... | 1 |
| N/I | NC13-33-0147 | STICKER CAUTION 1. READ OPERATOR'S MANUAL BEFORE STARTING... | 1 |
| N/I | NC13-33-0133 | STICKER DUCT POSITION UP DOWN | 1 |
| N/I | NC13-33-0098 | STICKER WARNING ROTATING BLADE HAZARD... | 2 |
| N/I | NC13-33-0109 | STICKER DANGER FIRE HAZARD NO SMOKING | 1 |
| N/I | NC13-33-0112 | STICKER DANGER BLOWER BLADE HAZARD... | 6 |
| N/I | NC13-33-0110 | STICKER DANGER THROWN OBJECT HAZARD... | 1 |
| N/I | NC13-33-0151 | STICKER IMPORTANT TO PREVENT ENGINE FAILURE ALWAYS... | 1 |