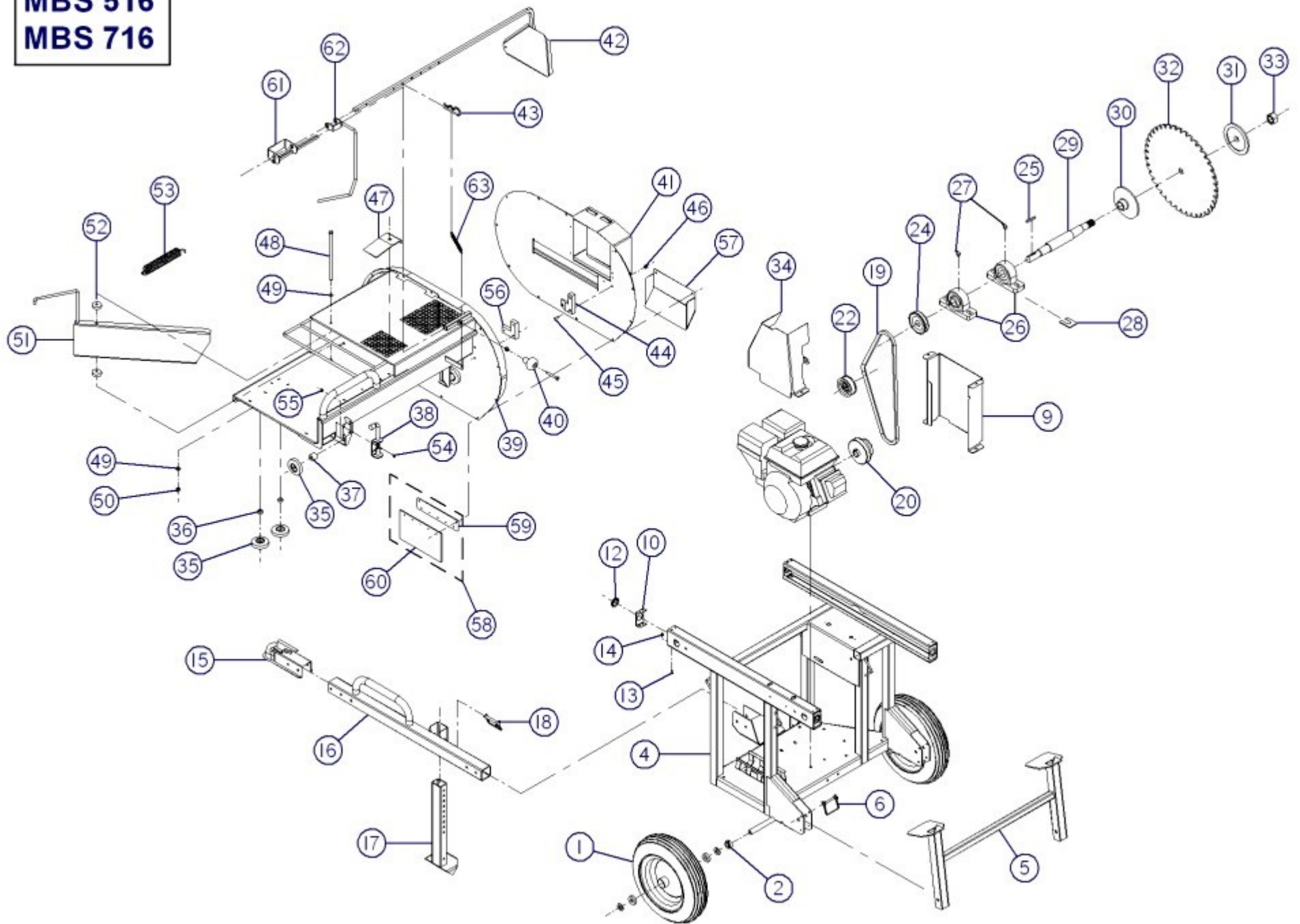


**MBS 516**  
**MBS 716**



## PORTABLE BENCH SAW (MOD:MBS 516 & 716)

REF.	PART NO.	DESCRIPTION	QTE
1	01-46-0600	WHEEL 16" Dia. ASSY.	2
N/I	NC14-70-0046	TIRE 4.80 / 4.00-8	2
N/I	NC14-70-0045	TUBE 400-8	2
N/I	NC14-70-0048	RIM 8" Dia.	2
N/I	NC14-70-0021	ROLLER BEARING X Ø 3/4"	1
N/I	NC14-70-0057	STEEL SHOULDER BUSHING X Ø 3/4"	4
2	NC01-65-0020	COLLAR Ø 3/4" DIA.INT.1SS 5/16"-18	2
4	55-57-0000	BODY "STICKER INCLUDED"	1
5	55-50-0025	STABILIZING LEG	1
6	NC01-69-1300	LOCK PIN 1/4" Dia. X 2 1/2"GRIP	1
9	55-57-0097	BELT GUARD "STICKER INCLUDED"	1
10	55-01-2460	TABLE STOPPER	2
12	NC13-15-0014	RUBBER GROMMETS	4
13	NC02-40-0080	MACHINE SCREWS SQUARE SOCKET #10-24 X 1/2" LG	8
14	NC01-96-0006	NYLON INSERT LOCKNUTS 10-24	8
15	NC13-80-0212	COUPLER 1 7/8"	1
16	55-50-0020	HITCH	1
17	55-50-0035	ADJUSTABLE LEG	1
18	NC01-69-1306	LOCK PIN 3/8" Dia. X 2 1/2" LG	1
19	NC14-25-0558	V-BELT B-44 (5/8" X 47")	1
20	NC14-60-0004	CLUTCH-PULLEY	1
22	NC17-46-0004	IDLER PULLEY 3" Dia.	1
24	NC14-62-0191	PULLEY 1MB33 X Ø 1" KW 1/4" 2SS 5/16"-18	1
25	NC01-65-0087	SQUARE KEY 1/4" X 1/4" X 1 1/2" LG	1
26	NC14-75-0034	PILLOW BEARING UCP 207-20 X Ø 1 1/4"	2
27	NC01-69-0802	GREASE FITTING METRIC 6MM X 45°	2
28	55-03-3000	BEARING SHIM	2
29	55-13-2000	DRIVE SHAFT	1
30	55-13-5405	SAW PLATE SUPPORT	1
31	55-13-5400	SAW PLATE SUPPORT	1
32	NC13-22-0011	SAW PLATE 16" Dia.	1
33	NC02-11-0025	HEX. NUT GRADE 8 1"-14	1
34	55-57-0103	BELT GUARD "STICKER INCLUDED"	1
35	01-38-0016	PLASTIC WHEEL	8
36	55-13-1400	TABLE BEARING BUSHING	4
37	55-09-1200	TABLE BEARING BUSHING	4
38	NC13-80-0213	SPRING-LOCK	1
39	55-57-0013	BENCH SAW TABLE "STICKER INCLUDED"	1
40	NC17-46-0018	PLASTIC KNOB	1
41	55-57-0075	PLATE PROTECTOR "STICKER INCLUDED"	1
42	55-50-0010	MEASUREMENT GUIDE	1
43	NC01-63-0026	HITCH PIN CLIPS 5/32" X 3" LG	1
44	55-42-0113	U.H.M.W. ANTI-LOCK BLOCK (EXIT)	1
46	NC01-96-0009	NYLON INSERT LOCKNUTS 1/4"-20	2
47	55-01-2480	BLOCK STOP	1
48	NC01-17-0142	HEX. BOLT 3/8"-16 X 8" LG (GRADE 2)	1
49	01-01-2485	FLAT WASHER 13/16" Dia. X Ø 25/64" X 14GA	2
50	NC01-96-0011	NYLON INSERT LOCKNUTS 3/8"-16	1
51	55-50-0040	ACCESS DOOR	1
52	55-21-0000	ACCESS DOOR BUSHING	2
53	NC13-85-0008	SPRING 7/8" Dia. X 5" LG	1
54	NC02-40-0080	MACHINE SCREWS SQUARE SOCKET #10-24 X 1/2" LG	4
55	NC01-96-0006	NYLON INSERT LOCKNUTS 10-24	4
56	55-42-0110	U.H.M.W. ANTI-LOCK BLOCK (ENTRY)	1
57	55-50-0050	DEBRIS GUARD	1
58	55-55-0030	DEBRIS GUARD ASSY.	1

**PORTABLE BENCH SAW (MOD:MBS 516 & 716)**

<b>REF.</b>	<b>PART NO.</b>	<b>DESCRIPTION</b>	<b>QTE</b>
59	55-01-2560	RUBBER BIB SUPPORT	1
60	55-42-0500	RUBBER BIB	1
61	55-50-0060	DUMPER SUPPORT	1
62	55-50-0065	MEASUREMENT GUIDE DUMPER	1
63	NC13-85-0041	SPRING .436" Dia. X 4" LG	1

**STICKER PORTABLE BENCH SAW (MOD:MBS 516 & 716)**

REF.	PART NO.	DESCRIPTION	QTE
N/I	55-58-0000	STICKER KIT PORTABLE BENCH SAW (MBS-516)	1
N/I	06-60-0000	STICKER AGRIMÉ TAL INC "MEDIUM"	2
N/I	03-60-0005	STICKER GREASE GUN	4
N/I	01-60-0115	STICKER WARNING ROTATING PART HAZARD...	2
N/I	NC13-33-0109	STICKER DANGER FIRE HAZARD NO SMOKING	1
N/I	NC13-33-0173	STICKER DANGER SAW BLADE HAZARD	3
N/I	NC13-33-0172	STICKER CAUTION / READ OPERATOR MANUEL BEFORE...	1
N/I	NC13-33-0175	STICKER PUSH OUT BEFORE STARTING ENGINE..PUSH IN TO ENGAGE...	1
N/I	NC13-33-0113	STICKER WARNING MISSING SHIELD HAZARD...	1