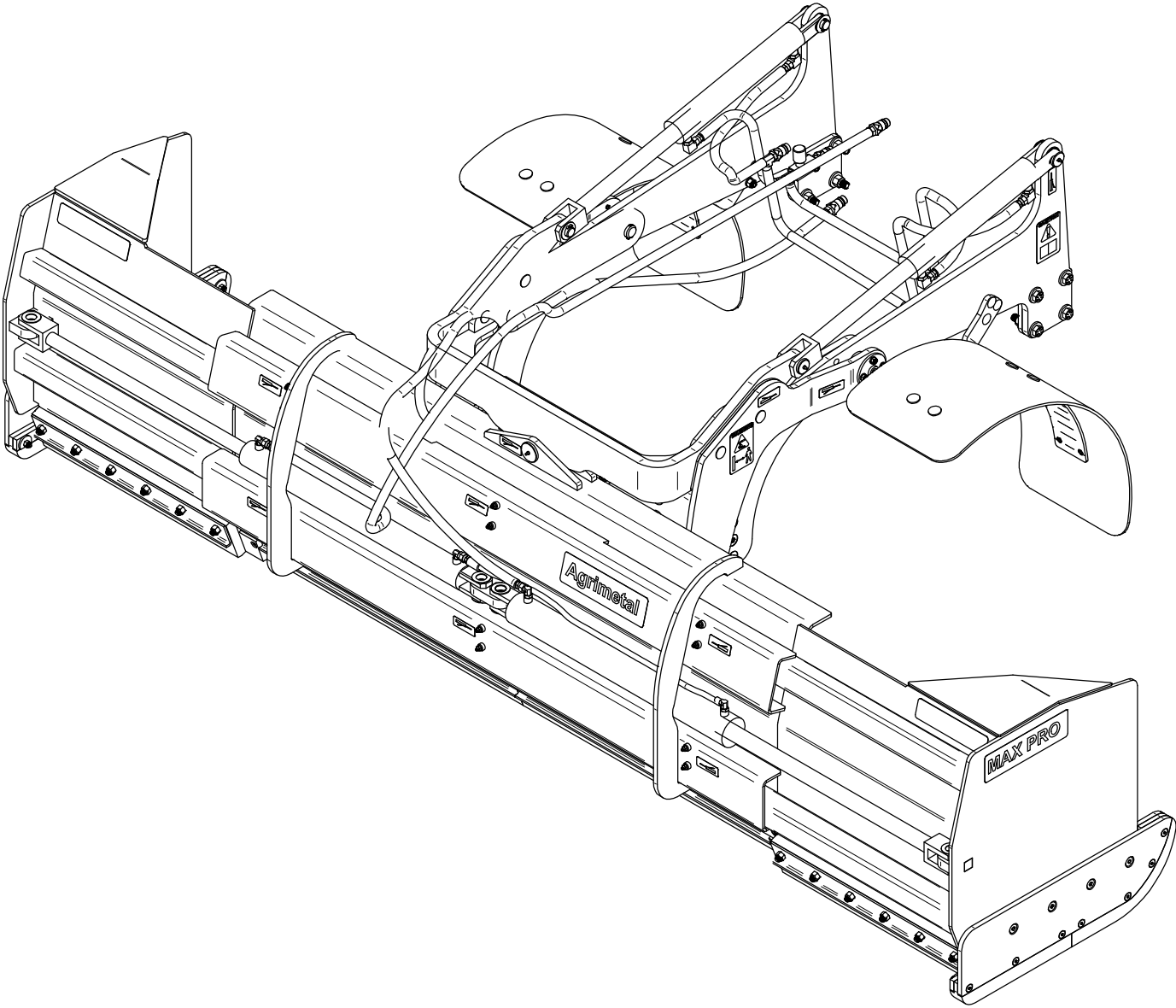


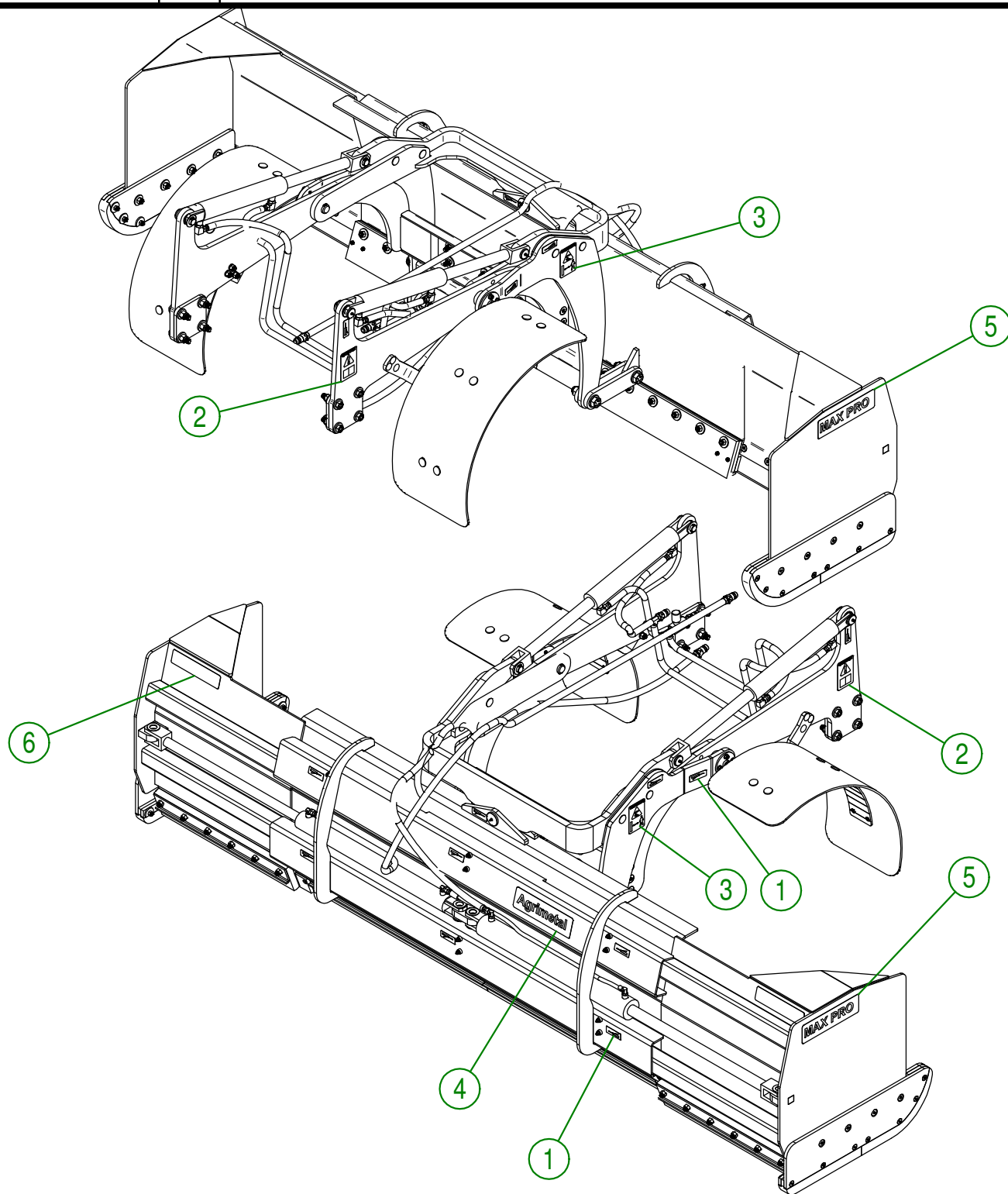
AgriMetal

PARTS LIST



MAX PRO JOHN DEERE 3R 6-10

#	# DE PIÈCE	Qty	TITLE
1	NC13-33-0024	14	STICKER GREASE HERE
2	NC13-33-0183	2	STICKER CAUTION OPERATION MANUEL
3	NC13-33-0268	2	STICKER WARNING
4	NC13-33-0035	1	STICKER AGRIMETAL
5	NC13-33-0265	2	STICKER MAX PRO
6	28-60-0050	1	STICKER SCOTCHLITE



MACHINE : MAX PRO JD 3R 6-10

AGRIMETAL	
JD 3R 6-10	
CREATION : 2016-10-05	ASSEMBLY : 92-99-0000
REVISION : 2016-10-05	AUTHOR : JA. H. Page 12 de 12

AGRIMETAL INC.
1006 RUE PRINCIPALE
WICKHAM, QUÉBEC
CANADA, J0C 1S0

TEL: (819) 398-6883
FAX: (819) 398-5311
www.agrimetal.com