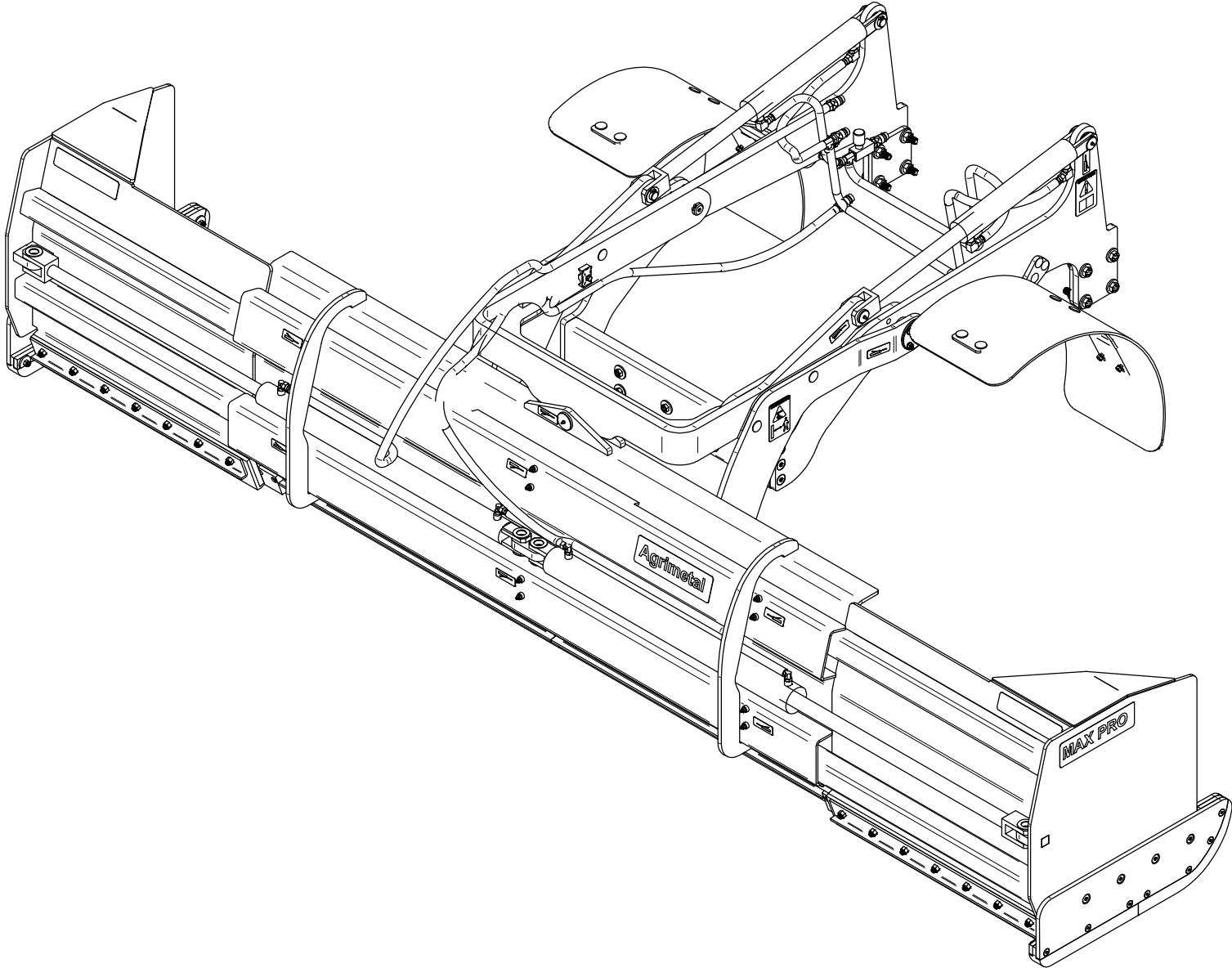


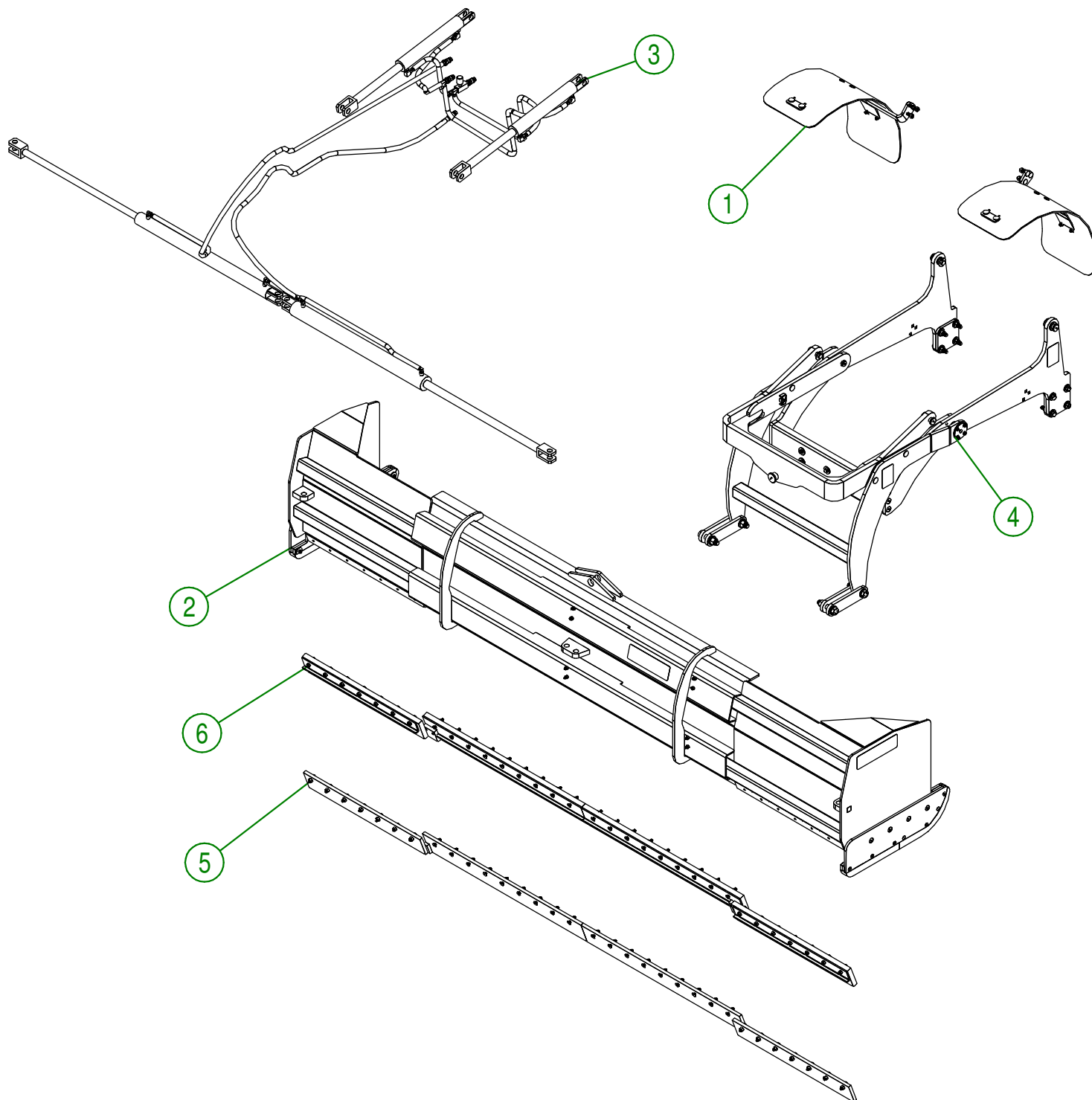
# AgriMetal

## PARTS LIST



**MAX PRO JOHN DEERE 4R 7-12**

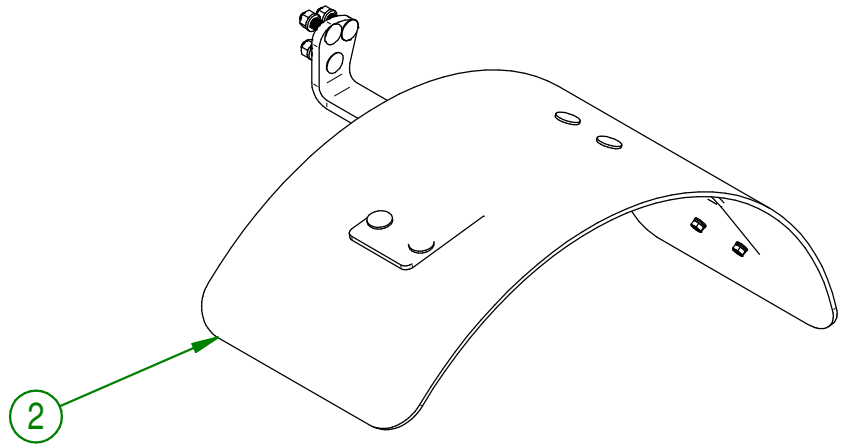
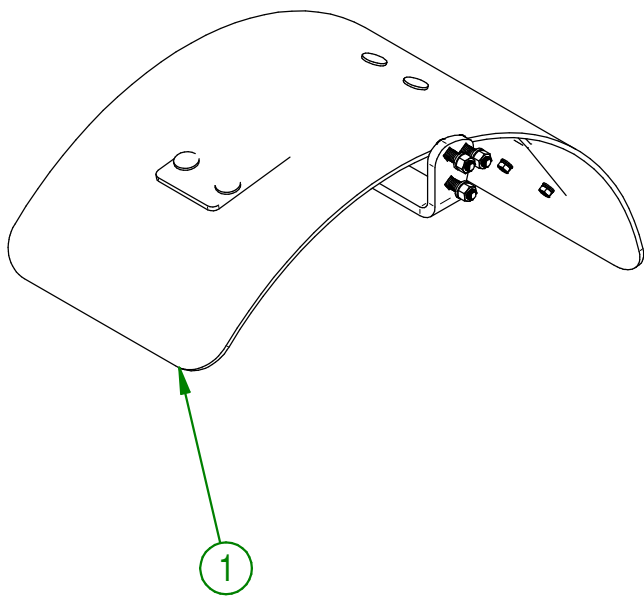
#	# DE PIÈCE	Qty	TITLE
1	91-57-0210	1	MUD GUARD GROUP
2	91-57-0020	1	SNOW BLADE GROUP
3	91-57-0070	1	HYDRAULIC GROUP
4	91-57-0060	1	SUBFRAME GROUP
5	91-57-0200	1	QT KNIFE GROUPE
6	91-57-0205	1	UHMW KNIFE GROUP



MACHINE : MAX PRO JD 4R 7-12

<b>AGRIMETAL</b>	
JD 4R 7-12	
CREATION : 2016-07-15	ASSEMBLY : 91-99-0500
REVISION : 2016-09-09	AUTHOR : JA. H

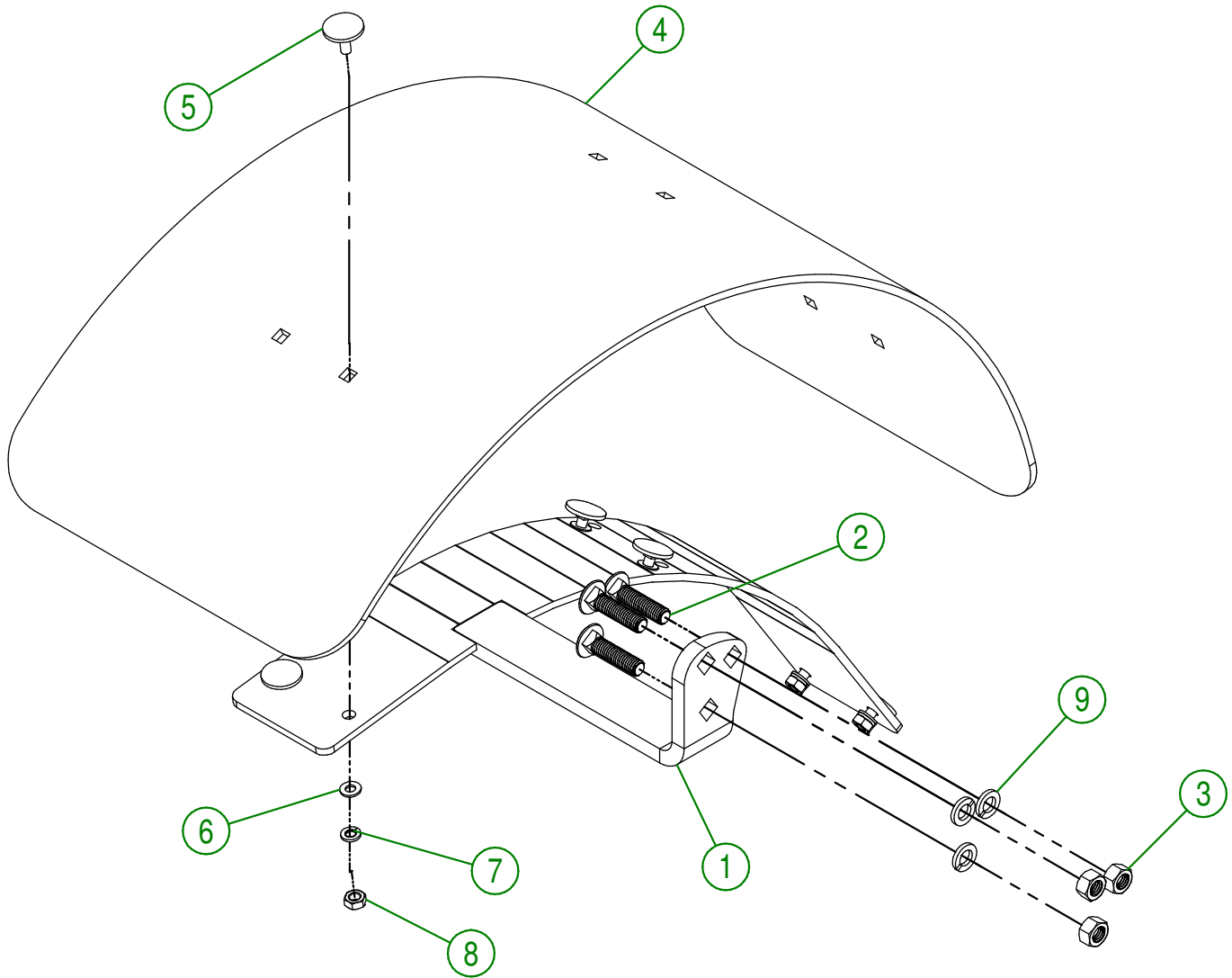
#	# DE PIÈCE	Qty	TITLE
1	91-55-0000	1	LEFT MUD GUARD GROUP
2	91-55-0005	1	RIGHT MUD GUARD GROUP



MACHINE : MAX PRO JD 4R & CASE 55C

<b>AGRIMETAL</b>	
<b>MUD GUARD GROUP</b>	
CREATION : 2016-08-09	ASSEMBLY : 91-57-0210
REVISION : 2016-08-09	AUTHOR : Production

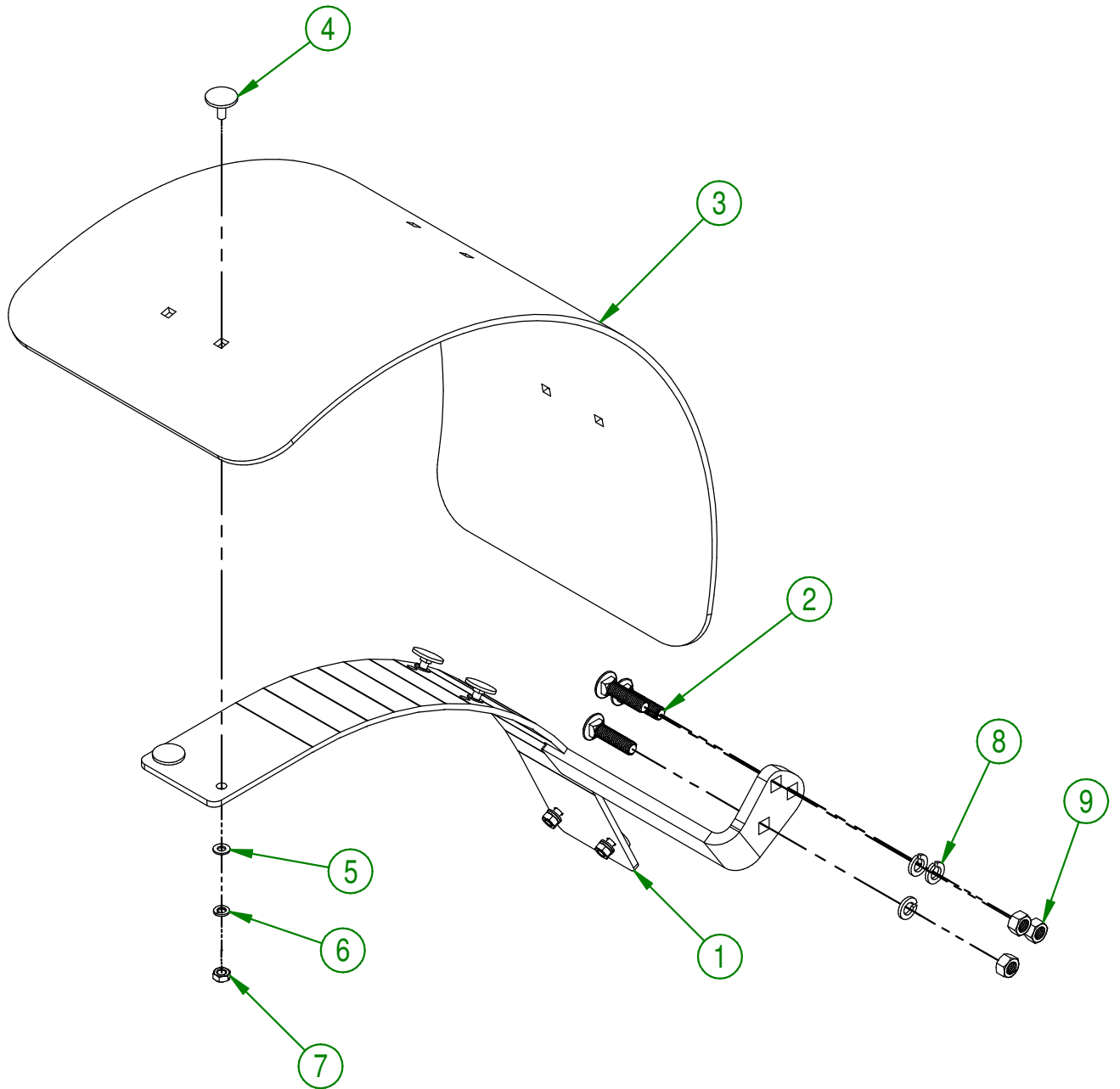
#	# DE PIÈCE	Qty	TITLE
1	91-50-0065	1	LEFT MUD GUARD BRACKET
2	NC01-54-0200	3	CARR. BOLT STAINLESS 1/2-13 X 2"
3	NC02-14-0100	3	HEX NUT STAINLESS 1/2-13
4	91-42-0155	1	MUD GUARD
5	NC01-13-0062	6	ELEVATOR STAINLESS BOLT 5/16-18 X 1"
6	NC02-22-0008	6	WASHER ZINC 1/4"
7	NC02-32-0011	6	LOCK WASHER ZINC 5/16"
8	NC02-07-0017	6	HEX NUT 5/16-18
9	NC02-32-0100	3	LOCK WASHER STAINLESS 1/2"



MACHINE : MAX PRO JD 4R & CASE 55C

<b>AGRIMETAL</b>	
<b>LEFT MUD GUARD</b>	
CREATION : 2016-08-10	ASSEMBLY : 91-55-0000
REVISION : 2016-08-10	AUTHOR : JA. H

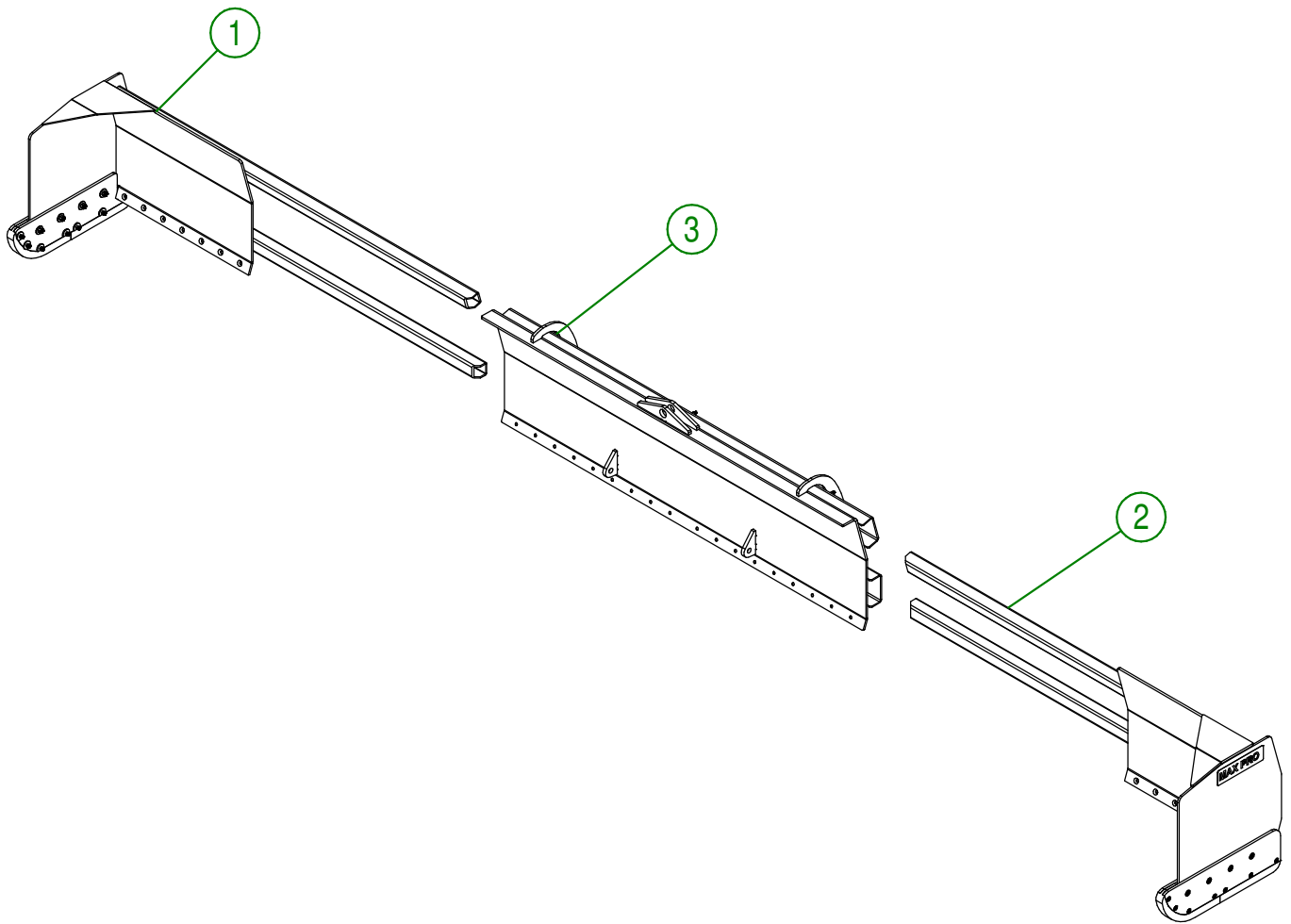
#	# DE PIÈCE	Qty	TITLE
1	91-50-0060	1	RIGHT MUDE GUARD BRACKET
2	NC01-54-0200	3	CARR. BOLT STAINLESS 1/2-13 X 2"
3	91-42-0155	1	MUD GUARD
4	NC01-13-0062	6	ELEVATOR STAINLESS BOLT 5/16-18 X 1"
5	NC02-22-0008	6	WASHER ZINC 1/4"
6	NC02-32-0011	6	LOCK WASHER ZINC 5/16"
7	NC02-07-0017	6	HEX NUT 5/16-18
8	NC02-32-0100	3	LOCK WASHER STAINLESS 1/2"
9	NC02-14-0100	3	HEX NUT STAINLESS 1/2-13



MACHINE : MAX PRO JD 4R & CASE 55C

<b>AGRIMETAL</b>	
<b>RIGHT MUD GUARD</b>	
CREATION : 2016-08-10	ASSEMBLY : 91-55-0005
REVISION : 2016-08-10	AUTHOR : JA. H

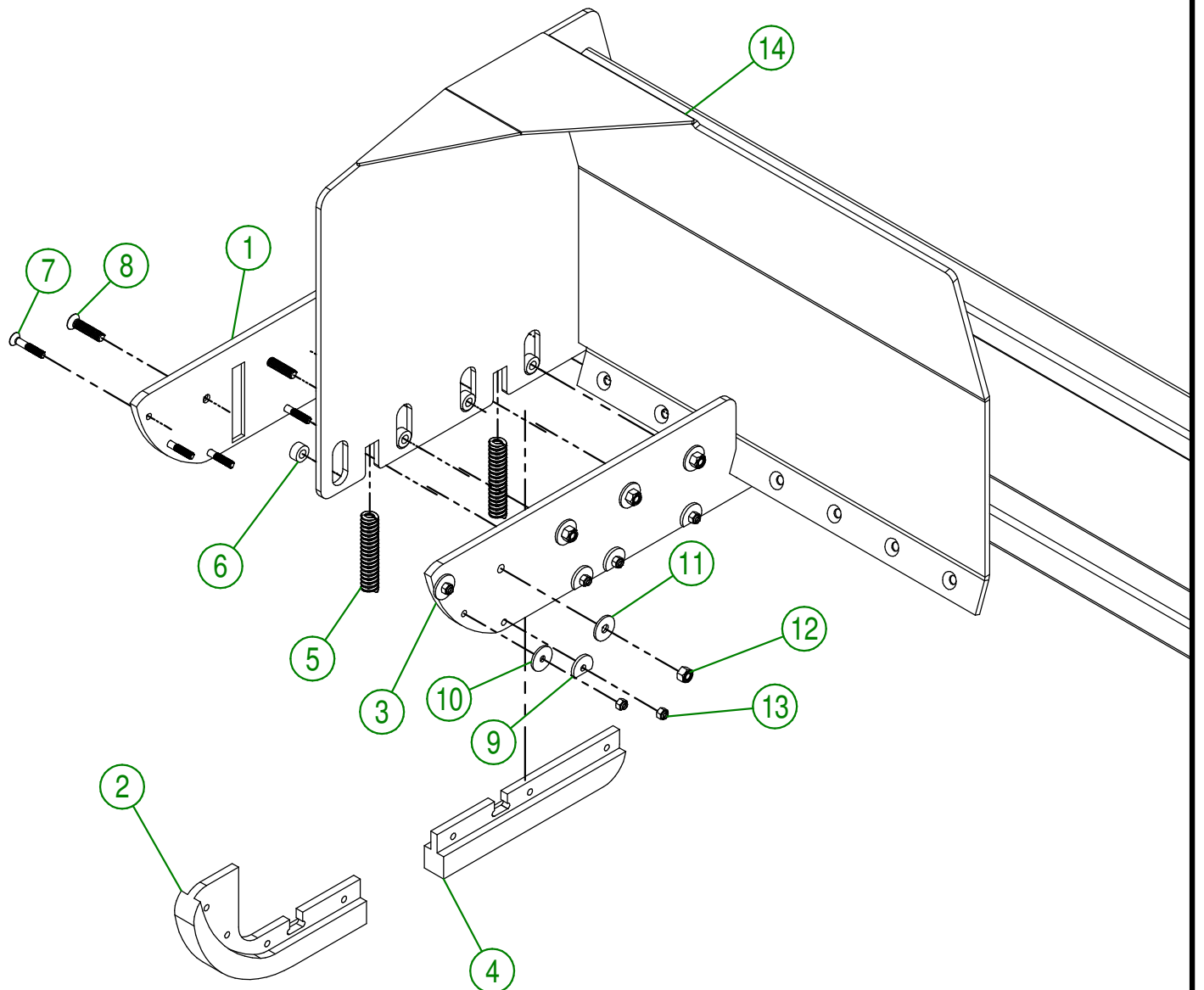
#	# DE PIÈCE	Qty	TITLE
1	91-57-0050	1	LEFT BLADE
2	91-57-0045	1	RIGHT BLADE
3	91-57-0040	1	CENTRAL BLADE



MACHINE : MAX PRO 7-12

<b>AGRIMETAL</b>	
<b>SNOW BLADE 7-12</b>	
CREATION : 2016-07-15	ASSEMBLY : 91-57-0020
REVISION : 2016-08-09	AUTHOR : JA. H

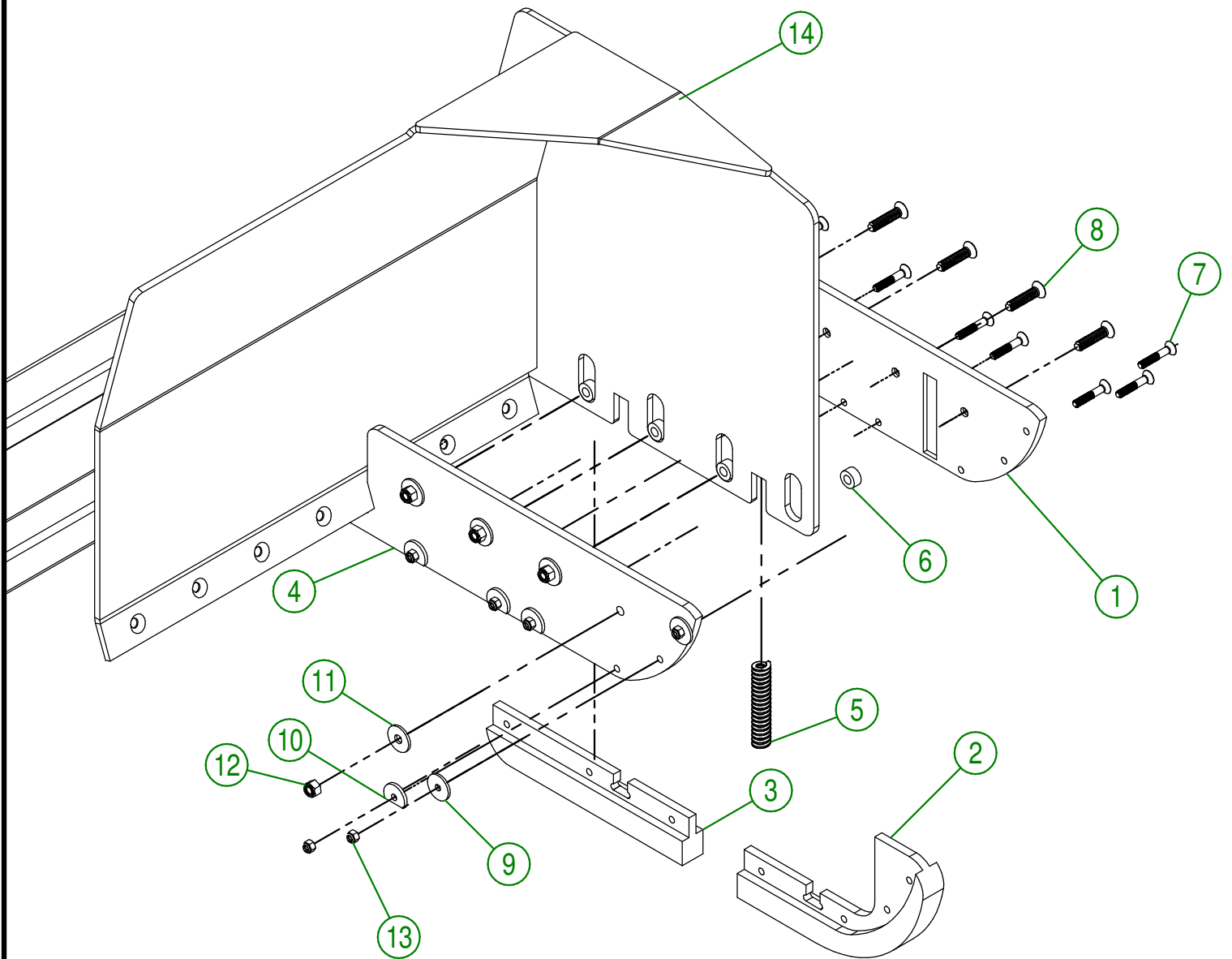
#	# DE PIÈCE	Qty	TITLE
1	91-42-0140	1	FLOATING SKATE (RIGHT MIDDLE)
2	91-42-0138	1	FLOATING SKATE (MIDDLE FRONT)
3	91-42-0136	1	FLOATING SKATE (RIGHT INT.)
4	91-42-0150	1	FLOATING SKATE (MIDDLE BACK)
5	NC13-86-0052	2	SPRING 1/2" ID X 1" OD X 5" LG
6	91-13-1400	4	BUSHING
7	NC02-48-0537	7	STAINLESS FLAT HEAD SOCKET CAP SREW 3/8-16 X 2 1/4"
8	NC02-48-0549	4	STAINLESS FLAT HEAD SOCKET CAP SREW 1/2-13 X 2 1/4"
9	91-20-0160	5	WASHER
10	91-20-0163	2	WASHER
11	91-20-0150	4	WASHER
12	NC01960014	4	NYLON INSERT LOCKNUT 1/2-13"
13	NC01-96-0011	7	NYLON NUT 3/8-16
14	91-57-0135	1	LEFT BLADE



MACHINE : MAX PRO 7-12

<b>AGRIMETAL</b>	
<b>LEFT BLADE</b>	
CREATION : 2016-07-15	ASSEMBLY : 91-57-0050
REVISION : 2016-08-09	AUTHOR : JA. H

#	# DE PIÈCE	Qty	TITLE
1	91-42-0144	1	FLOATING SKATE (RIGHT OUTSIDE)
2	91-42-0138	1	FLOATING SKATE (MIDDLE FRONT)
3	91-42-0150	1	FLOATING SKATE (MIDDLE BACK)
4	91-42-0142	1	FLOATING SKATE (RIGHT INSIDE)
5	NC13-86-0052	2	SPRING 1/2" ID X 1" OD X 5" LG
6	91-13-1400	4	BUSHING
7	NC02-48-0537	7	STAINLESS FLAT HEAD SOCKET CAP SREW 3/8-16 X 2 1/4"
8	NC02-48-0549	4	STAINLESS FLAT HEAD SOCKET CAP SREW 1/2-13 X 2 1/4"
9	91-20-0163	2	WASHER
10	91-20-0160	5	WASHER
11	91-20-0150	4	WASHER
12	NC01960014	4	NYLON INSERT LOCKNUT 1/2-13"
13	NC01-96-0011	7	NYLON NUT 3/8-16
14	91-57-0140	1	RIGHT BLADE

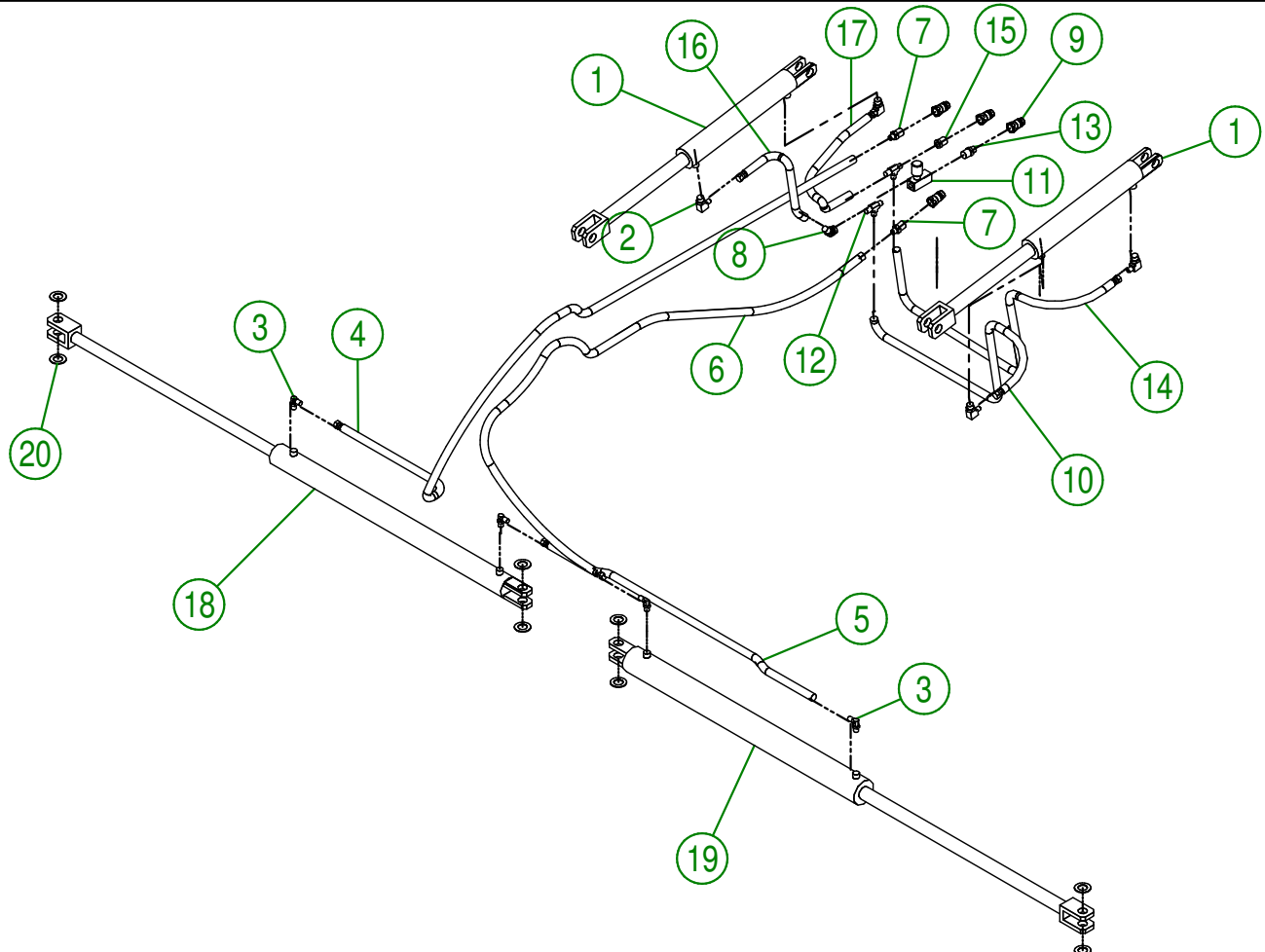


MACHINE : MAX PRO 7-12

AGRIMETAL	
RIGHT BLADE	
CREATION : 2016-07-15	ASSEMBLY : 91-57-0045
REVISION : 2016-08-09	AUTHOR : JA. H



#	# DE PIÈCE	Qty	TITLE
1	NC13-45-0257	2	HYDRAULIC CYLINDER 2 1/2" X 12" STROKE
2	NC13-45-0242	4	90 DEG ELBOW
3	NC13-45-0254	4	90 DEG ELBOW 9/16"-18 MALE SAE6 O RING X 3/8" MALE JIC
4	NC17-02-0371	1	HYDRAULIC HOSE 88"
5	NC17-02-0353	1	HYDRAULIC HOSE 39 3/4"
6	NC17-02-0371	1	HYDRAULIC HOSE 88"
7	NC13-45-0247	2	STRAIGHT FITTING 1/2" MALE NPT X 3/8" MALE JIC
8	NC13-45-0245	1	45 DEG ELBOW
9	NC13-45-0014	4	QUICK COUPLER 1/2-14 NPTF
10	NC17-02-0362	1	HYDRAULIC HOSE 48"
11	NC13-45-0241	1	FLOW CONTROLE 3/8" NPT FEMALE
12	NC13-45-0244	2	TEE FITTING 3/8" MALE NPT X 3/8" MALE JIC X 3/8" MAL JIC
13	NC13-45-0246	1	HEX 1/2" MALE NPT X 3/8" MALE NPT
14	NC17-02-0370	1	HYDRAULIC HOSE 50"
15	NC13-45-0031	1	REDUCER FITTING 3/8" FEM. NPT X 1 1/2" MALE NPT
16	NC17-02-0361	1	HYDRAULIC HOSE 24"
17	NC17-02-0350	1	HYDRAULIC HOSE 26"
18	NC13-45-0240	1	HYDRAULIC CYLINDER 2" X 30" STROKE
19	NC13-45-0239	1	HYDRAULIC CYLINDER 2 1/2" X 30" STROKE
20	91-22-2200	8	FLAT WASHER HYDRAULIC CYLINDER

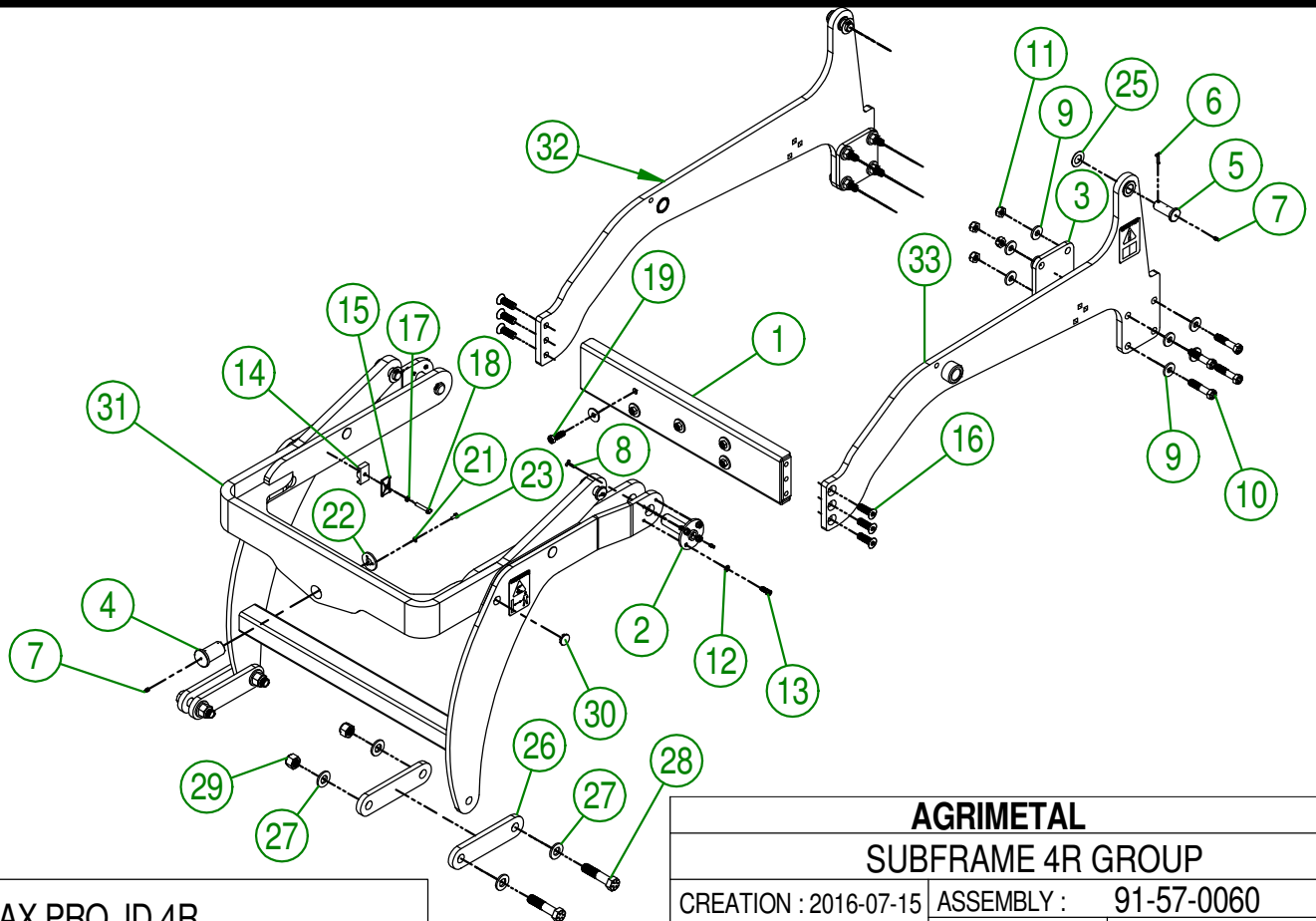


**AGRIMETAL**  
**HYDRAULIC GROUP**

CREATION : 2016-07-19 ASSEMBLY : 91-57-0070  
REVISION : 2016-11-30 AUTHOR : JA. H

MACHINE : MAX PRO JD 4R 7-12

#	# DE PIÈCE	Qty	TITLE
1	91-50-0035	1	FRONT PLATE
2	91-50-0030	2	SUBFRAME PIVOT
3	91-04-1030	2	SPACER
4	91-13-2800	1	CENTER PIVOT SHAFT
5	91-20-0210	4	CYLINDER PIVOT
6	NC01-69-0159	4	COTTER PIN ZINC 3/16 X 1 1/2"
7	NC01-69-0785	8	GREASE FITTING STRAIGHT 1/4-28
8	NC01-69-0160	2	COTTER PIN ZINC 3/16 X 1 3/4"
9	91-20-0155	16	FLAT WASHER
10	NC01-33-0400	8	CAP SCREW GR8 NC ZINC 5/8-11 X 3" LG
11	NC01-93-0016	8	STOP NUT ZINC 5/8-11
12	NC02-32-0012	8	LOCK WASHER ZINC 3/8"
13	NC01-37-0114	8	BOLT GR8 3/8" X 1"
14	NC13-45-0253	1	3/8 HYDRAULIC HOSE PROTECTOR
15	NC13-45-0252	1	HYDRAULIC HOSE PROTECTOR CAP
16	NC02-48-0562	6	FLAT HEAD SOCKET CAP SCREW STAINLESS 5/8-11 X 1 1/2"
17	NC02-32-0011	1	LOCK WASHER ZINC 5/16"
18	NC01-17-0063	1	CAP SCREW GR2 NC ZINC 5/16-18 X 1 3/4"
19	NC01-33-0249	5	CAP SCREW GR8 NC ZINC 1/2-13 X 1 1/2" LG
20	NC01-93-0014	5	STOP NUT ZINC 1/2-13
21	NC02-32-0010	3	LOCK WASHER ZINC 1/4"
22	91-04-0010	1	FLAT WASHER CENTER PIVOT
23	NC01-37-0003	3	CAP SCREW GR8 7/8-9 X 4"
24	91-20-0150	10	WASHER
25	91-22-2200	4	FLAT WASHER HYDRAULIC CYLINDER
26	91-04-1420	4	BLADE CONNECTOR
27	09-04-0050	8	PNO 3/16" X 1 49/64" DIA. X Ø 7/8" FLAT WASHER
28	NC01-33-0504	4	CAP SCREW GR8 7/8-9 X 4
29	NC01-96-0018	4	NYLON INSERT NUT 7/8-9
30	NC13-80-0273	8	BLACK CAP 1" DIA
31	91-57-0145	1	MOBILE SUBFRAME GROUP 4R
32	91-57-0150	1	RIGHT SUBFRAME GROUP
33	91-57-0155	1	LEFT SUBFRAME GROUP

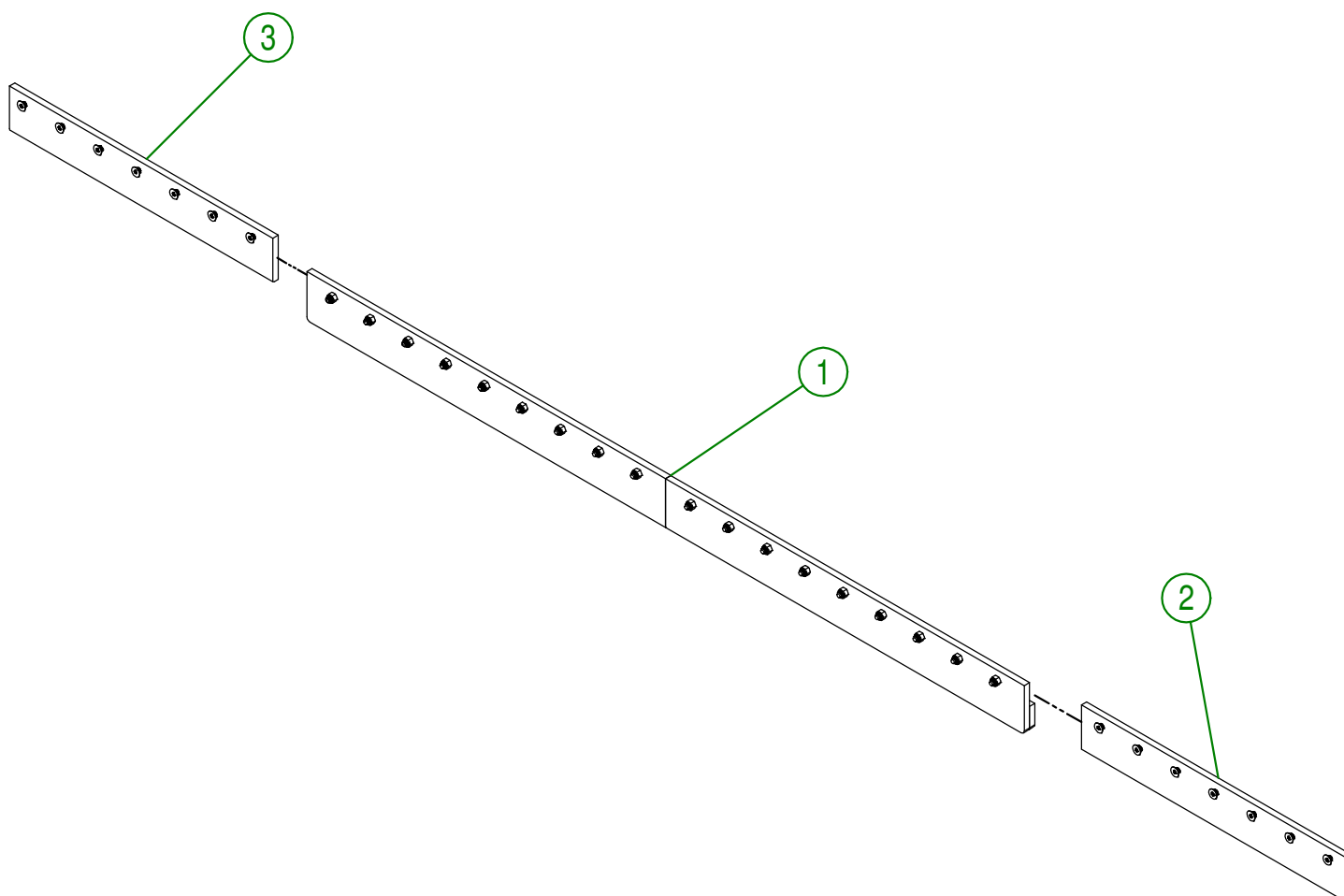


MACHINE : MAX PRO JD 4R

**AGRIMETAL**  
**SUBFRAME 4R GROUP**

CREATION : 2016-07-15 ASSEMBLY : 91-57-0060  
REVISION : 2016-10-03 AUTHOR : JA. H

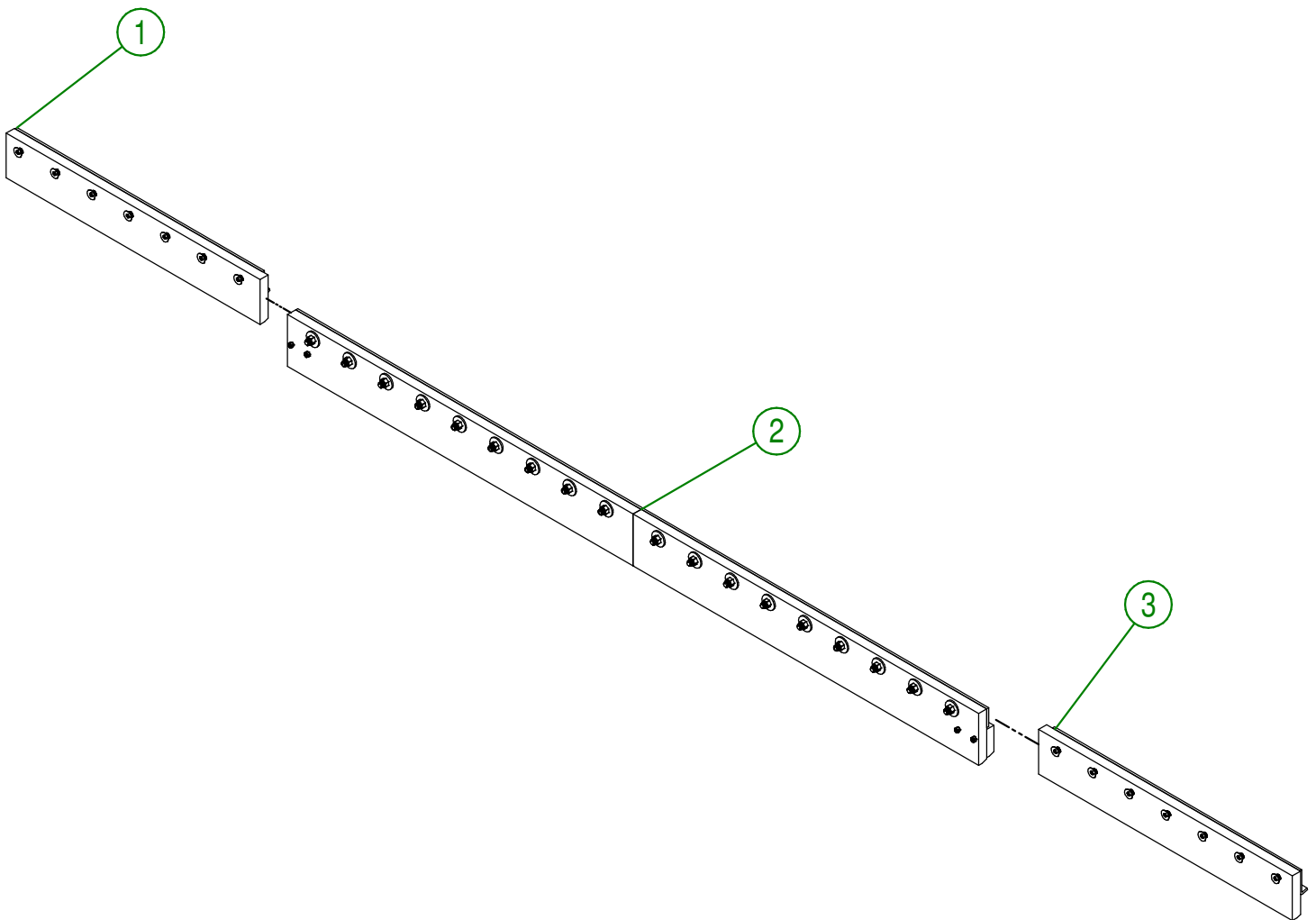
#	# DE PIÈCE	Qty	TITLE
1	91-57-0105	1	CENTRAL KNIFE GROUP
2	91-57-0115	1	RIGHT KNIFE GROUP
3	91-57-0125	1	LEFT KNIFE GROUP



MACHINE : MAX PRO 7-12

<b>AGRIMETAL</b>	
<b>QT KNIFE GROUP</b>	
CREATION : 2016-07-15	ASSEMBLY : 91-57-0200
REVISION : 2016-08-09	AUTHOR : JA. H

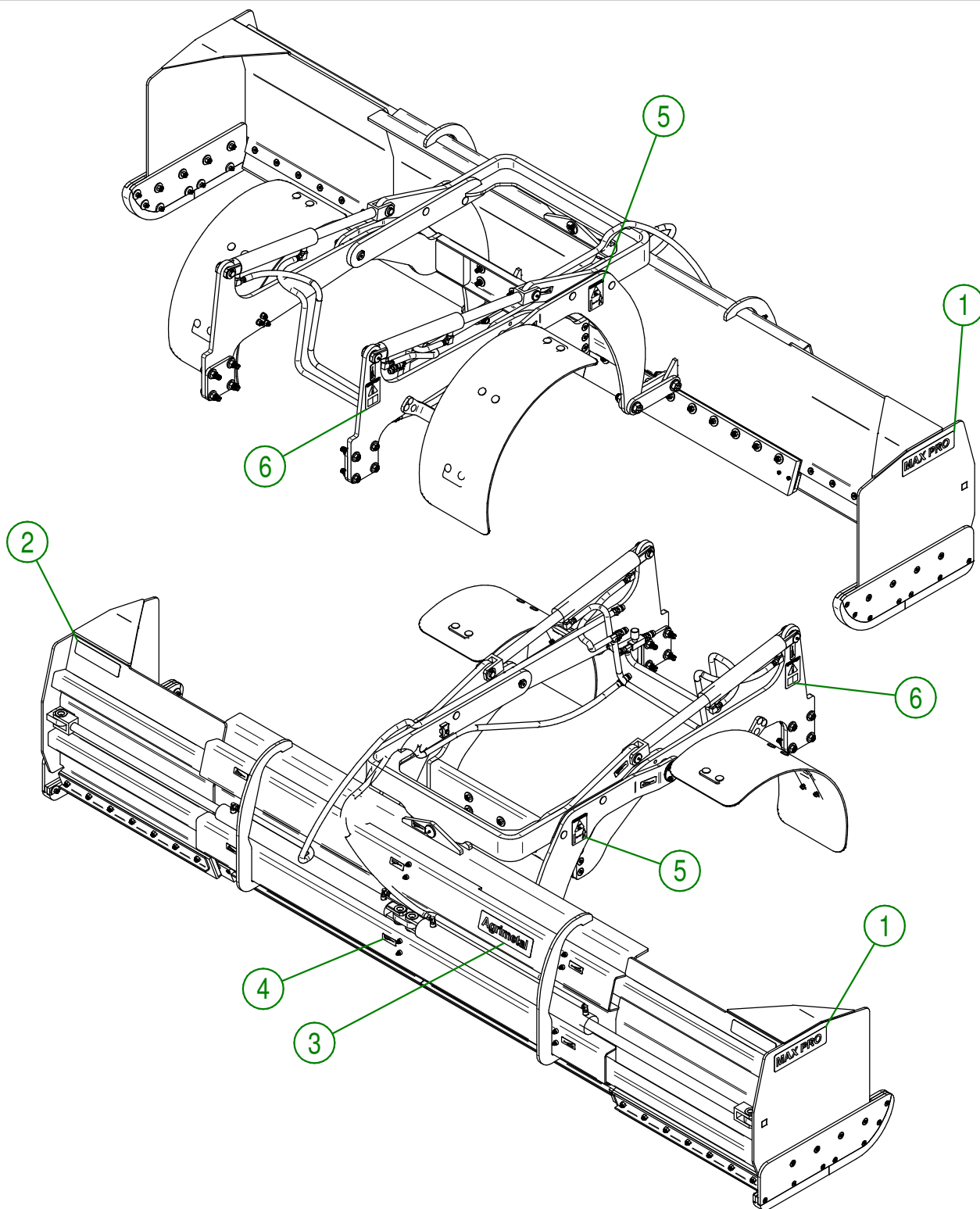
#	# DE PIÈCE	Qty	TITLE
1	91-57-0120	1	LEFT KNIFE GROUP
2	91-57-0100	1	CENTRAL KNIFE GROUP
3	91-57-0110	1	RIGHT KNIFE GROUP



MACHINE : MAX PRO 7-12

<b>AGRIMETAL</b>	
<b>UHMW KNIFE GROUP</b>	
CREATION : 2016-07-15	ASSEMBLY : 91-57-0205
REVISION : 2016-08-09	AUTHOR : JA. H

#	# DE PIÈCE	Qty	TITLE
1	NC13-33-0265	2	STICKER MAX PRO
2	28-60-0050	2	SCOTCHLITE STICKER
3	NC13-33-0035	1	STICKER AGRIMETAL
4	NC13-33-0024	13	STICKER GREASE HERE
5	NC13-33-0268	2	STICKER WARNING
6	NC13-33-0183	2	STICKER CAUTION OPERATION MANUEL



**AGRIMETAL  
STICKER**

MACHINE : MAX PRO JD 4R 7-12

CREATION : 2016-07-19	ASSEMBLY : 91-99-0500
REVISION : 2016-09-09	AUTHOR : JA. H

AGRIMETAL INC.  
1006 RUE PRINCIPALE  
WICKHAM, QUÉBEC  
CANADA, J0C 1S0

TEL: (819) 398-6883  
FAX: (819) 398-5311  
[www.agrimetal.com](http://www.agrimetal.com)