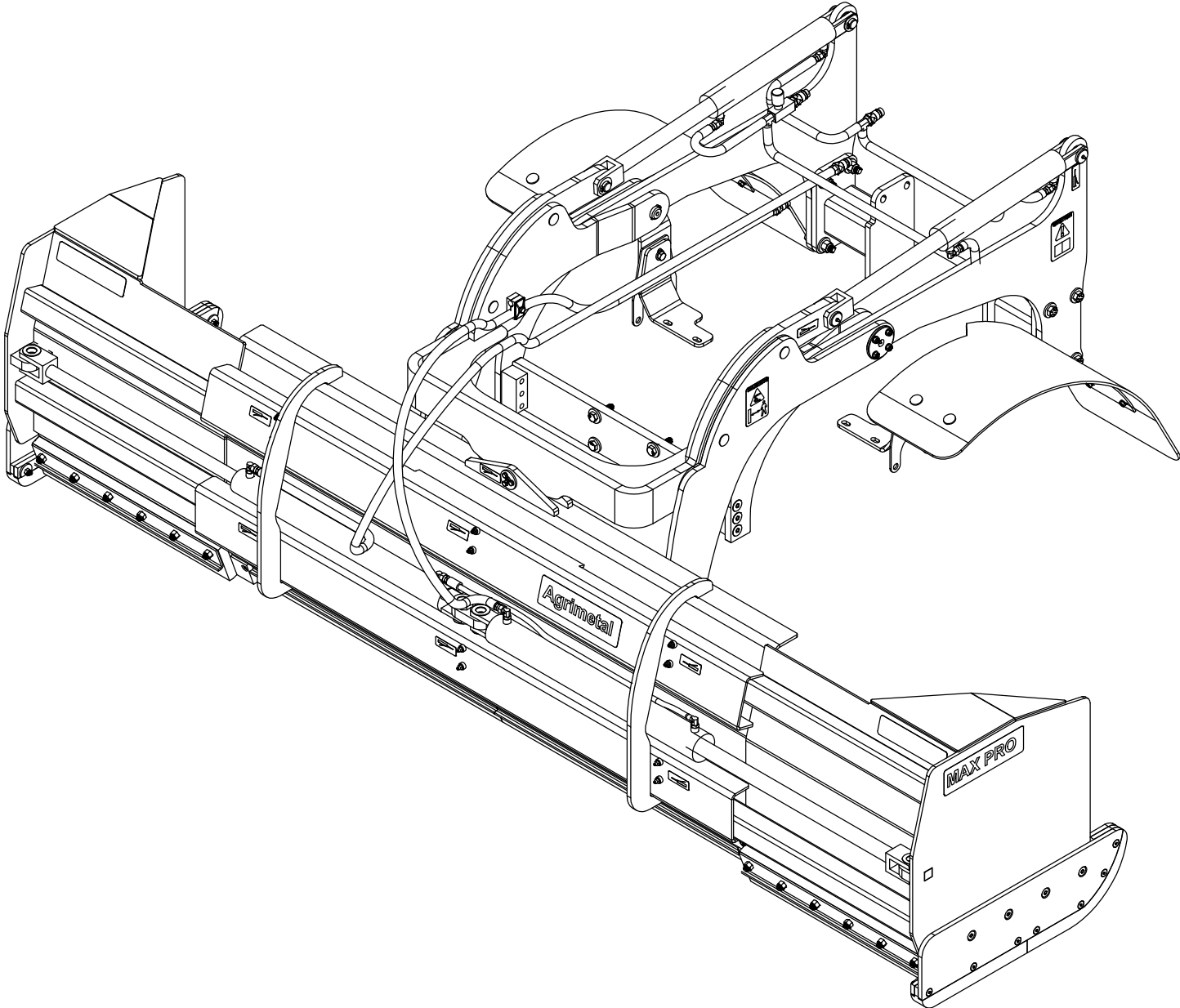


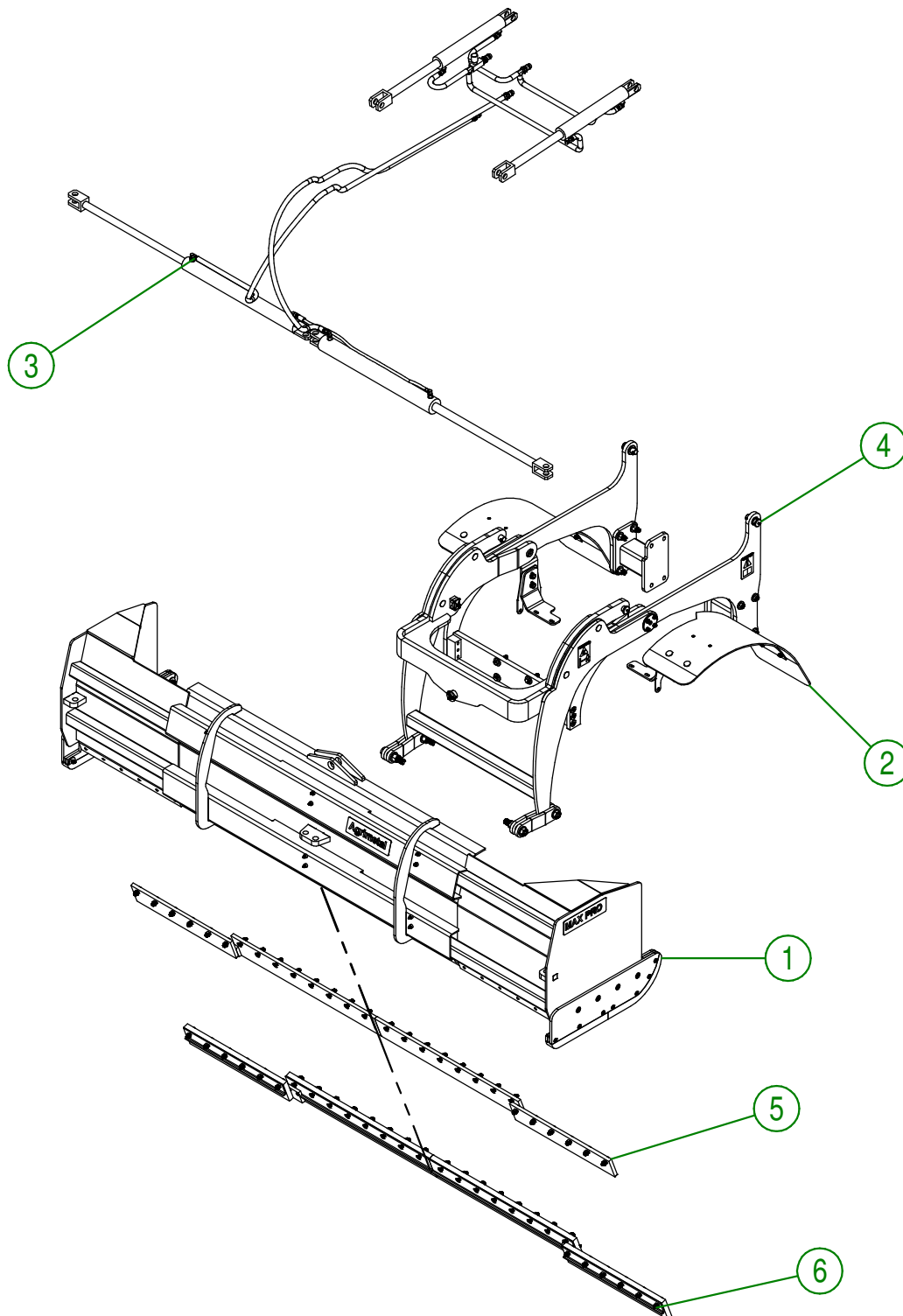
AgriMetal

PARTS LIST



MAX PRO KUBOTA L6060 6-10

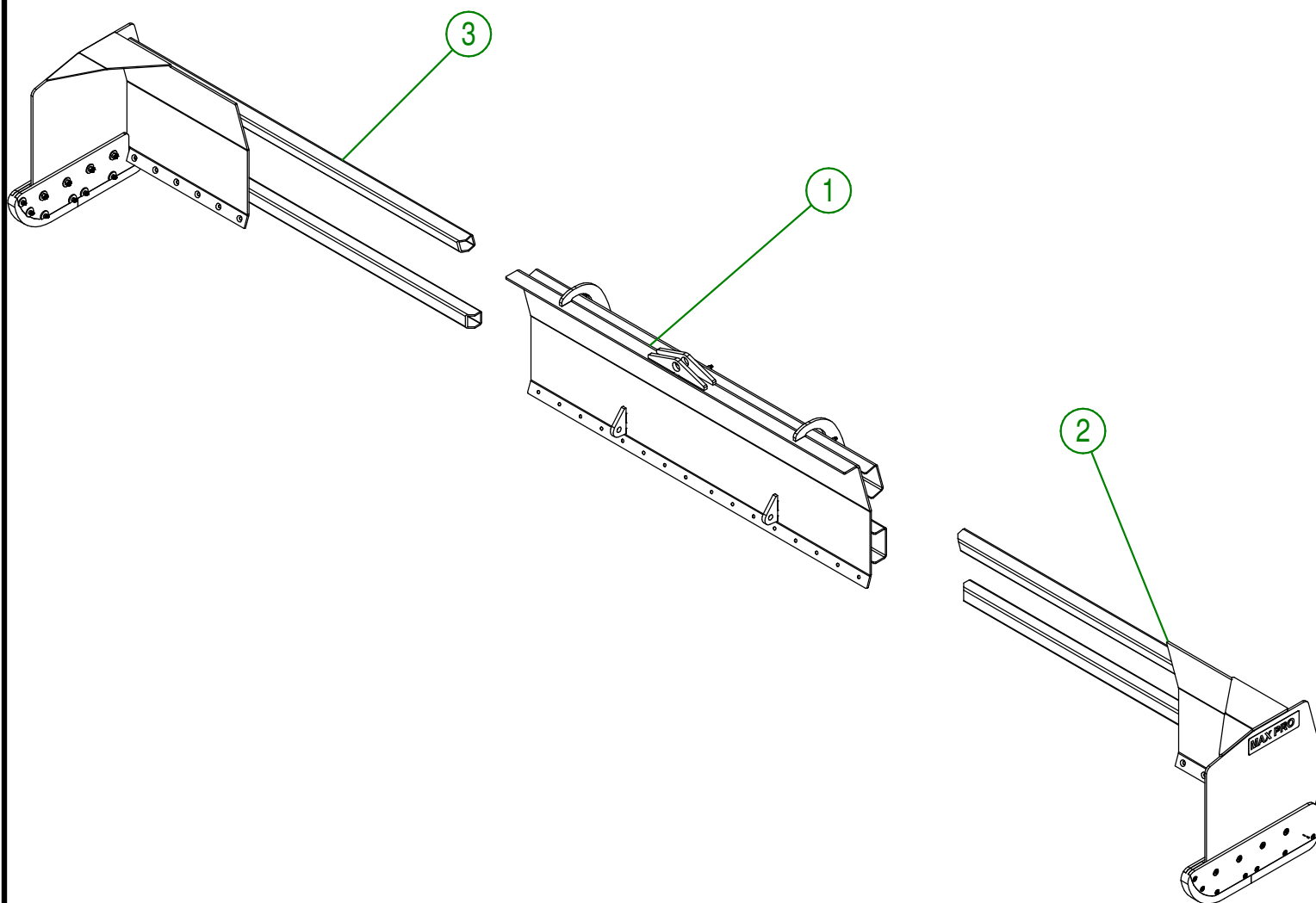
#	# DE PIÈCE	Qty	TITLE
1	92-57-0020	1	BLADE 6-10 GROUP
2	92-57-0210	1	MUD GUARD GROUP
3	92-57-0220	1	HYDRAULIC GROUP
4	92-57-0250	1	SUBFRAME GROUP
5	92-57-0200	1	QT KNIFE GROUP
6	92-57-0205	1	UHMW KNIFE GROUP



MACHINE : MAX PRO KUBOTA L6060 6-10

AGRIMETAL	
MAX PRO KUBOTA L6060 6-10	
CREATION : 2016-08-10	ASSEMBLY : 92-99-0500
REVISION : 2016-09-09	AUTHOR : JA. H

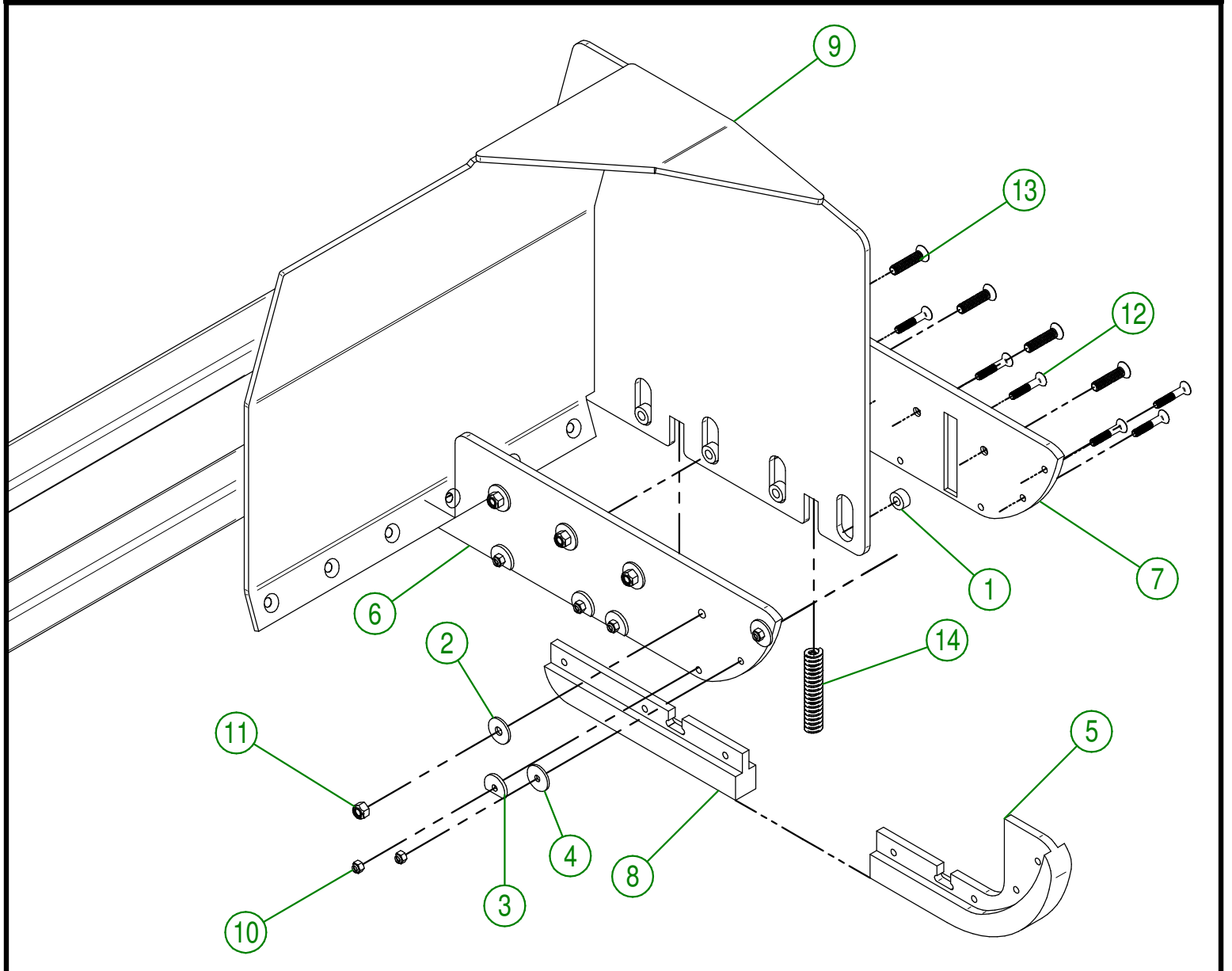
#	# DE PIÈCE	Qty	TITLE
1	92-57-0040	1	CENTER BLADE
2	92-57-0045	1	RIGHT BLADE
3	92-57-0050	1	LEFT BLADE



MACHINE : MAX PRO 6-10

AGRIMETAL	
SNOW BLADE 6-10	
CREATION : 2016-08-10	ASSEMBLY : 92-57-0020
REVISION : 2016-08-10	AUTHOR : JA. H

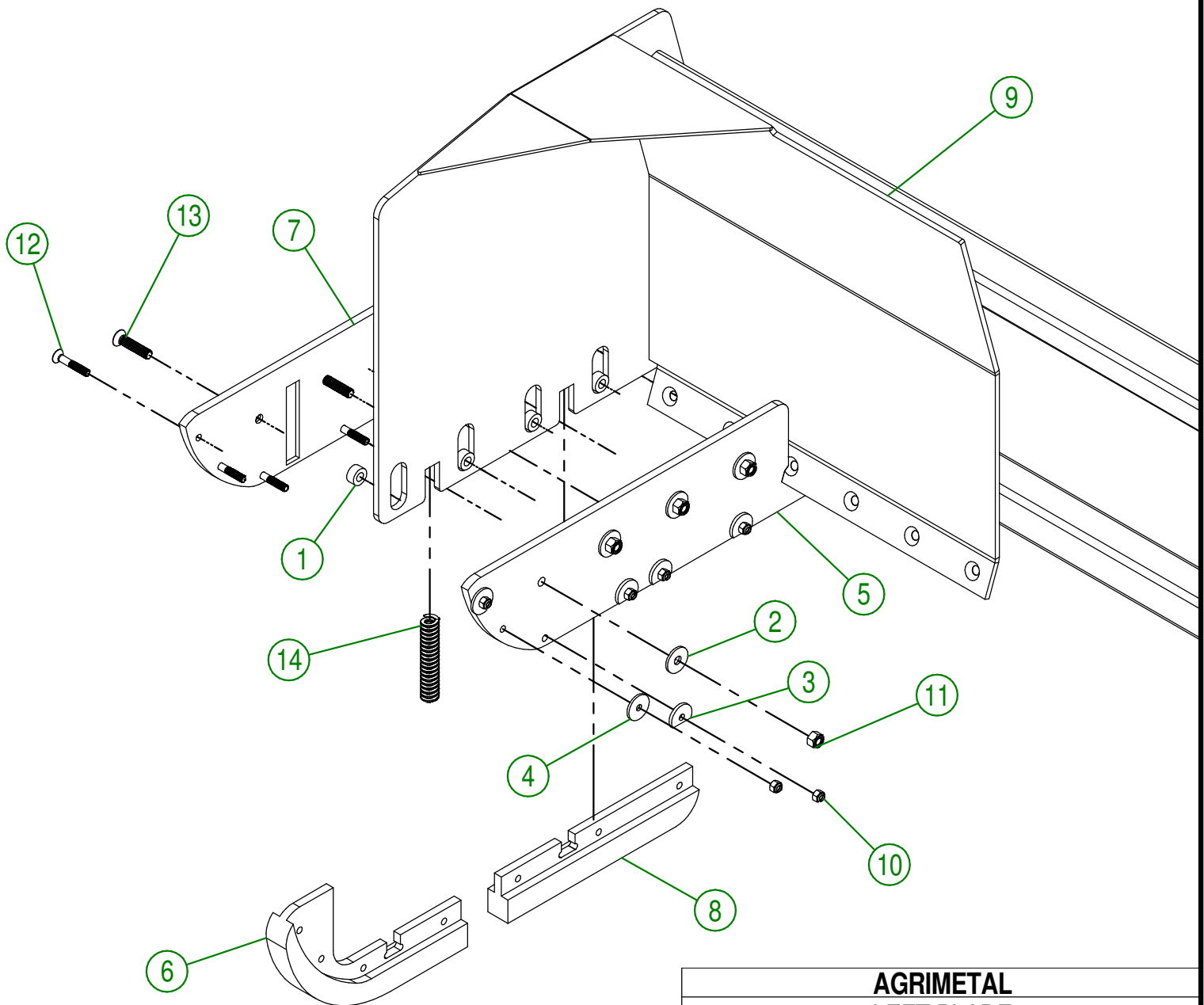
#	# DE PIÈCE	Qty	TITLE
1	91-13-1400	4	BUSHING
2	91-20-0150	4	WASHER
3	91-20-0160	5	WASHER
4	91-20-0163	2	WASHER
5	91-42-0138	1	FLOATING SKATE (MIDDLE FRONT)
6	91-42-0142	1	FLOATING SKATE (RIGHT INSIDE)
7	91-42-0144	1	FLOATING SKATE (RIGHT OUTSIDE)
8	91-42-0150	1	FLOATING SKATE (MIDDLE BACK)
9	92-57-0265	1	RIGHT BLADE
10	NC01-96-0011	7	NYLON NUT 3/8-16
11	NC01960014	4	NYLON INSERT LOCKNUT 1/2-13"
12	NC02-48-0537	7	STAINLESS FLAT HEAD SOCKET CAP SREW 3/8-16 X 2 1/4"
13	NC02-48-0549	4	STAINLESS FLAT HEAD SOCKET CAP SREW 1/2-13 X 2 1/4"
14	NC13-86-0052	2	SPRING 1/2" ID X 1" OD X 5" LG



MACHINE : MAX PRO 6-10

AGRIMETAL	
RIGHT BLADE	
CREATION : 2016-08-10	ASSEMBLY : 92-57-0045
REVISION : 2016-10-11	AUTHOR : JA. H

#	# DE PIÈCE	Qty	TITLE
1	91-13-1400	4	BUSHING
2	91-20-0150	4	WASHER
3	91-20-0160	5	WASHER
4	91-20-0163	2	WASHER
5	91-42-0136	1	FLOATING SKATE (RIGHT INT.)
6	91-42-0138	1	FLOATING SKATE (MIDDLE FRONT)
7	91-42-0140	1	FLOATING SKATE (RIGHT MIDDLE)
8	91-42-0150	1	FLOATING SKATE (MIDDLE BACK)
9	92-57-0270	1	LEFT BLADE
10	NC01-96-0011	7	NYLON NUT 3/8-16
11	NC01960014	4	NYLON INSERT LOCKNUT 1/2-13"
12	NC02-48-0537	7	STAINLESS FLAT HEAD SOCKET CAP SREW 3/8-16 X 2 1/4"
13	NC02-48-0549	4	STAINLESS FLAT HEAD SOCKET CAP SREW 1/2-13 X 2 1/4"
14	NC13-86-0052	2	SPRING 1/2" ID X 1" OD X 5" LG

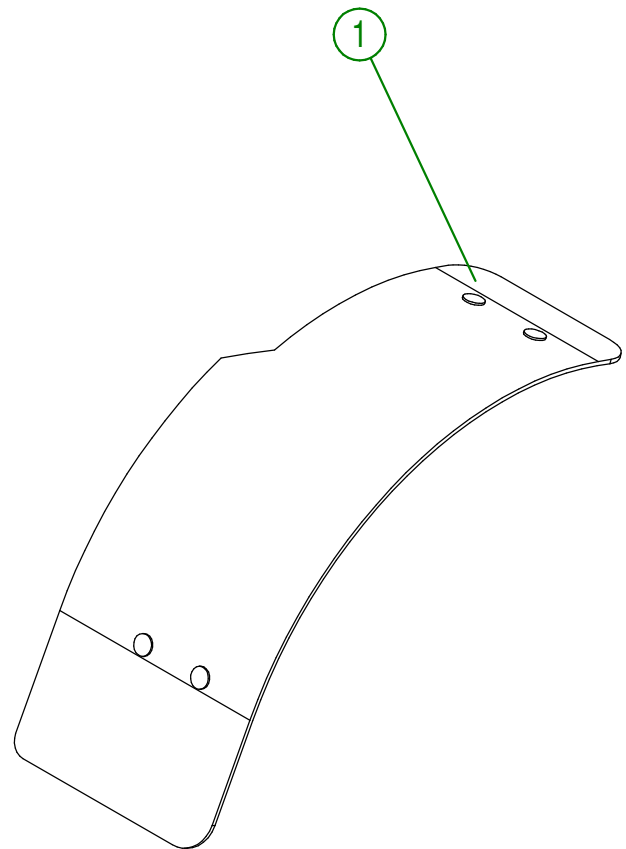
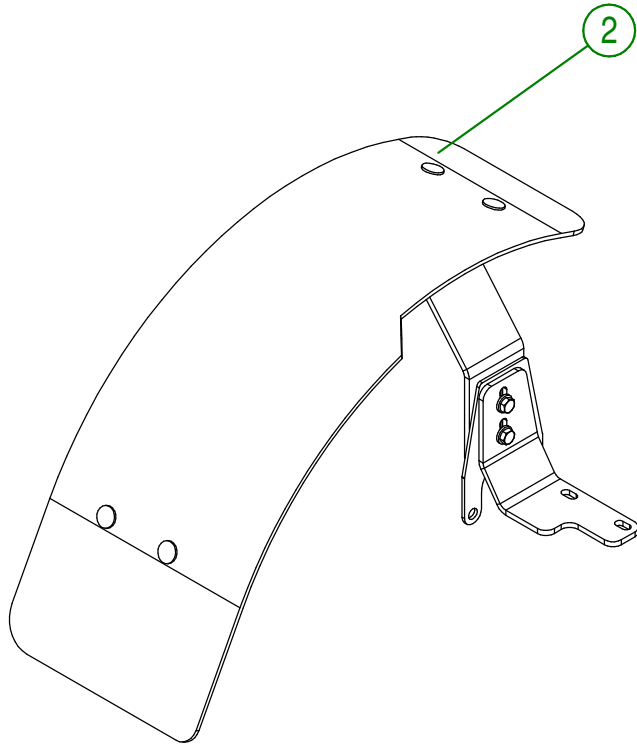


MACHINE : MAX PRO 6-10

AGRIMETAL
LEFT BLADE

CREATION : 2016-08-10 ASSEMBLY : 92-57-0050
REVISION : 2016-10-11 AUTHOR : JA. H

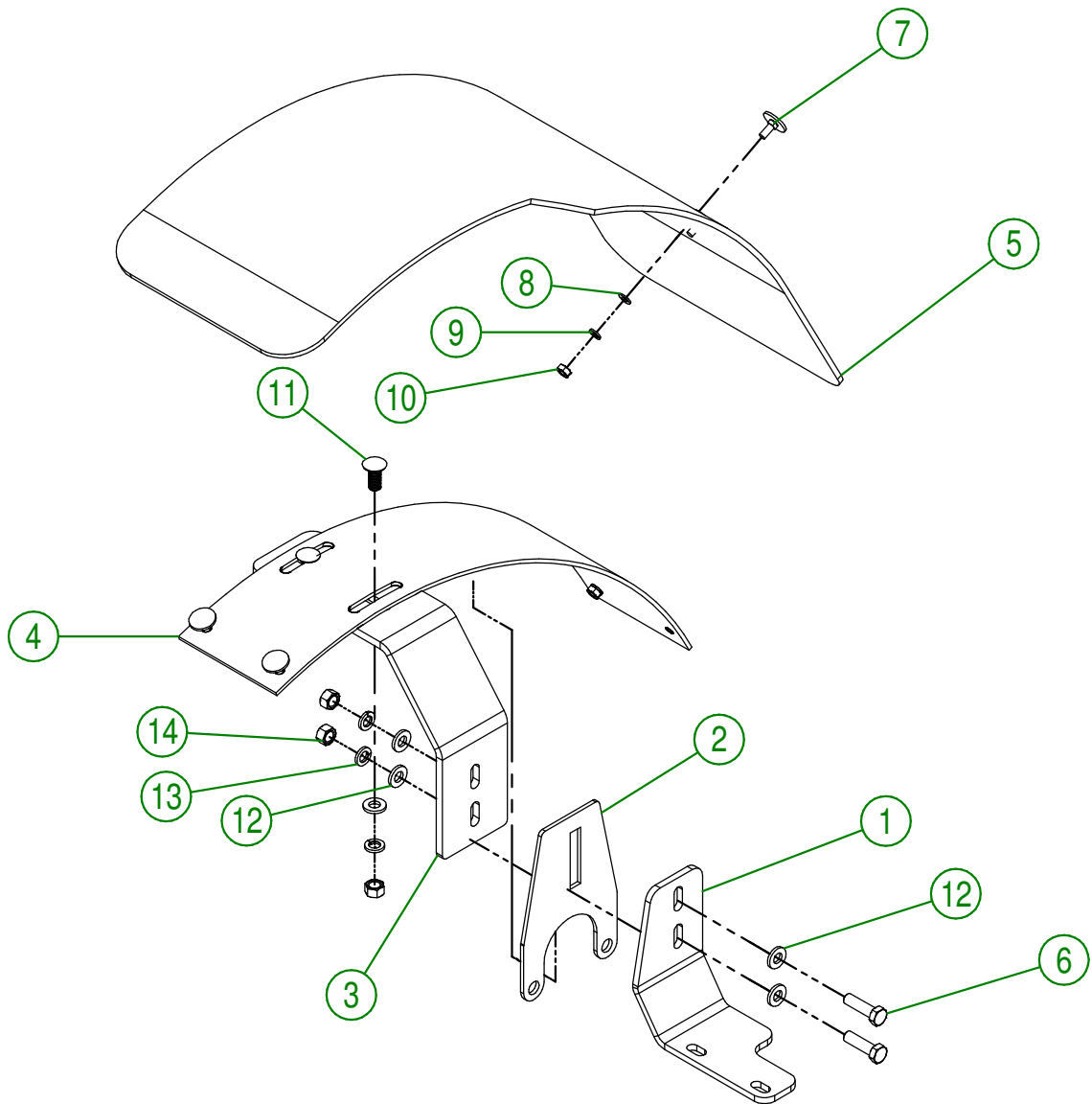
#	# DE PIÈCE	Qty	TITLE
1	92-55-0005	1	RIGHT MUD GUARD GROUP
2	92-55-0010	1	LEFT MUD GUARD GROUP



MACHINE : MAX PRO KUBOTA L6060

AGRIMETAL	
MUD GUARD GROUP	
CREATION : 2016-07-19	ASSEMBLY : 92-57-0210
REVISION : 2016-08-10	AUTHOR : JA. H

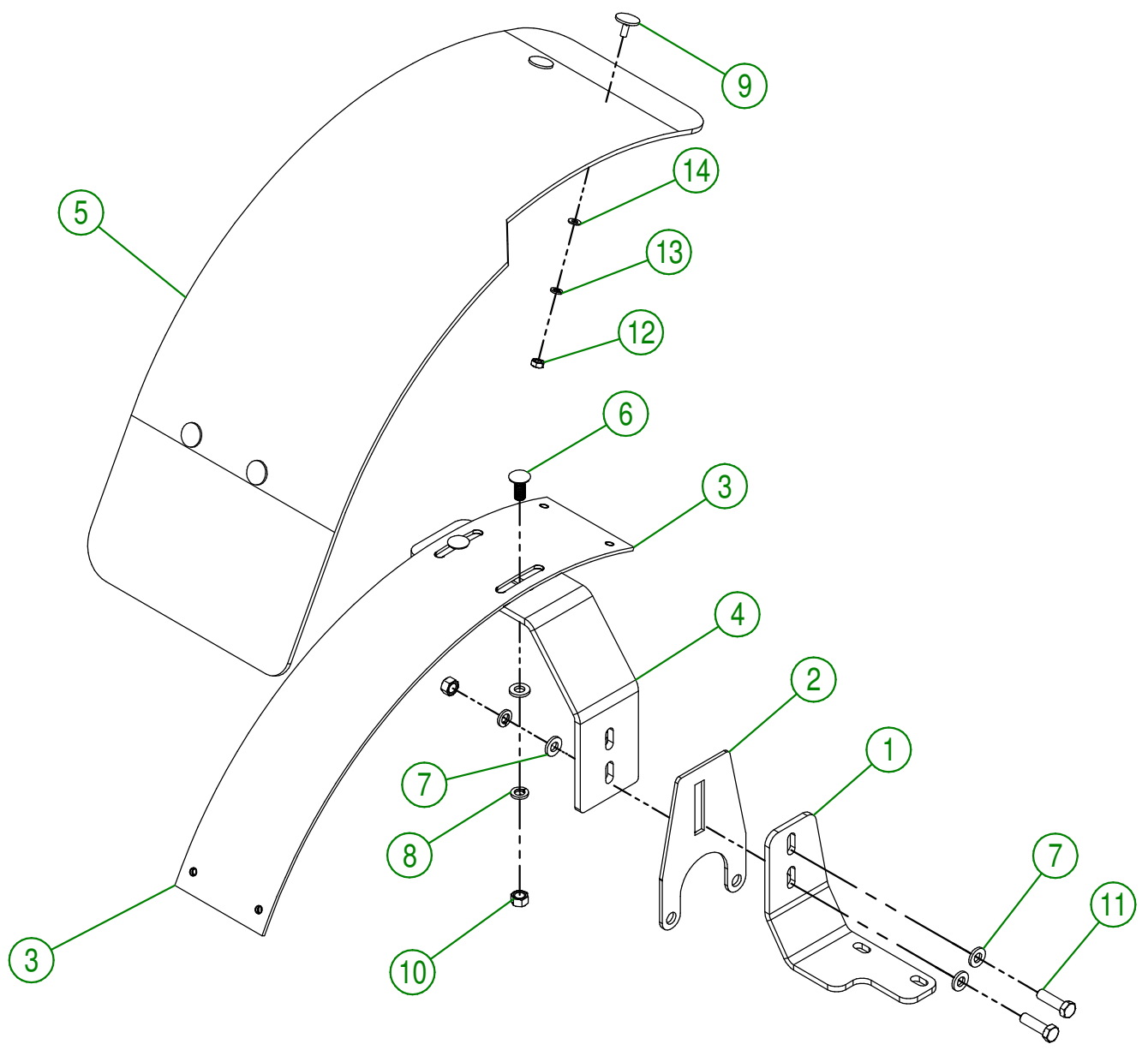
#	# DE PIÈCE	Qty	TITLE
1	92-04-0420	1	RIGHT MUD GUARD BRACKET
2	92-04-0000	1	MUD GUARD BRACKET
3	92-04-0600	1	MUD GUARD BRACKET
4	92-04-0005	1	MUD GUARD BRACKET
5	92-42-0100	1	RIGHT MUD GUARD
6	NC01-04-0236	2	CAP SCREW 1/2-13 X 1 3/4"
7	NC01-13-0062	4	ELEVATOR STAINLESS BOLT 5/16-18 X 1"
8	NC02-22-0008	4	WASHER ZINC 1/4"
9	NC02-32-0011	4	LOCK WASHER ZINC 5/16"
10	NC02-07-0017	4	HEX NUT 5/16-18
11	NC01-04-0234	2	BOLT CARR. GR2 ZINC 1/2-13 X 1 1/4"
12	01-01-0925	6	WASHER
13	NC02-32-0014	4	LOCK WASHER ZINC 1/2"
14	NC02-07-0020	4	HEX. NUT ZINC 1/2-13



MACHINE : MAX PRO KUBOTA L6060

AGRIMETAL	
RIGHT MUD GUARD ASS.	
CREATION : 2016-07-19	ASSEMBLY : 92-55-0005
REVISION : 2016-08-10	AUTHOR : JA. H

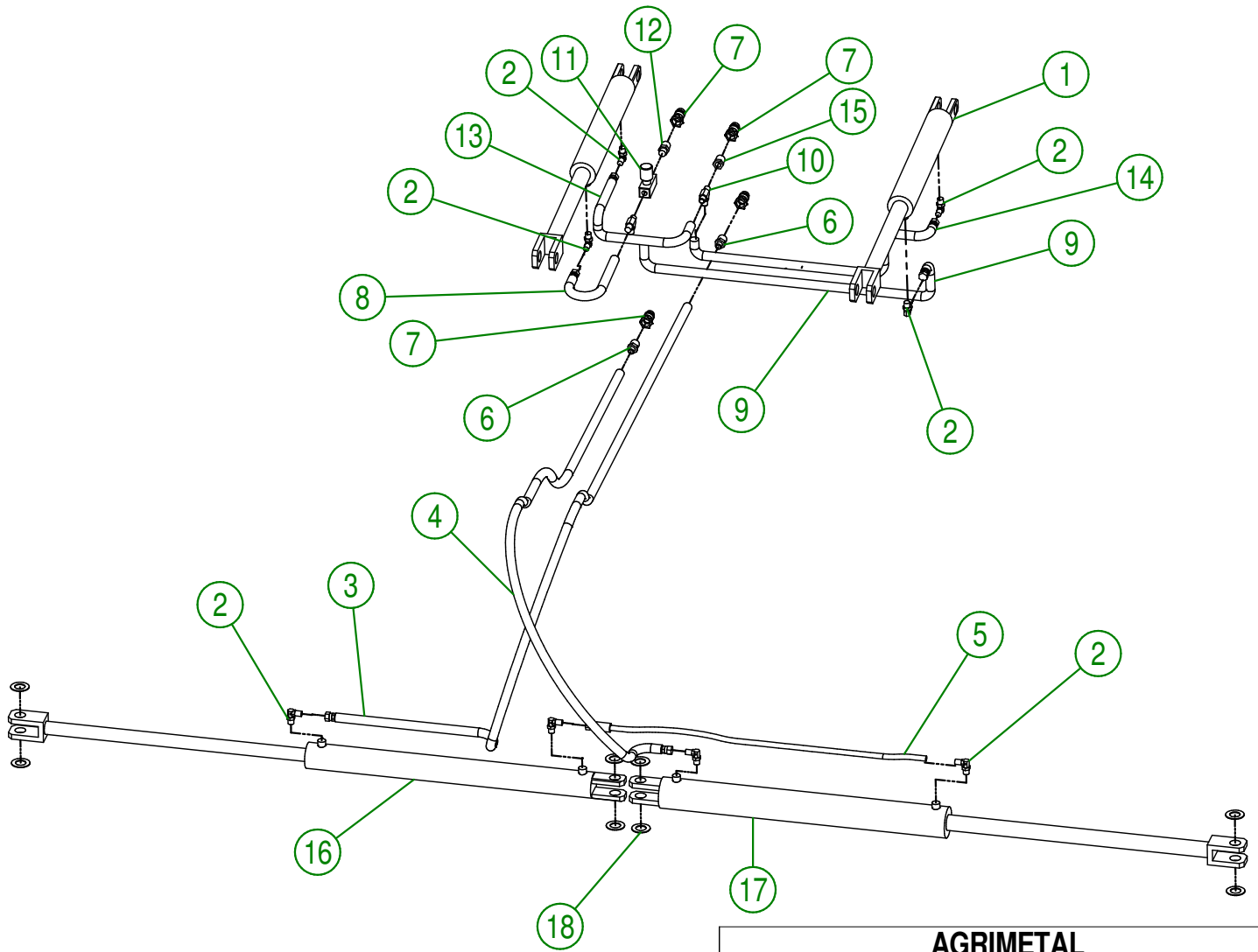
#	# DE PIÈCE	Qty	TITLE
1	92-04-0423	1	LEFT MUD GUARD BRACKET
2	92-04-0000	1	MUD GUARD BRACKET
3	92-04-0005	1	MUD GUARD BRACKET
4	92-04-0600	1	MUD GUARD BRACKET
5	92-42-0103	1	LEFT MUD GUARD
6	NC01-04-0234	2	BOLT CARR. GR2 ZINC 1/2-13 X 1 1/4
7	01-01-0925	6	WASHER
8	NC02-32-0014	4	LOCK WASHER ZINC 1/2"
9	NC01-13-0062	4	ELEVATOR STAINLESS BOLT 5/16-18 X 1"
10	NC02-07-0020	4	HEX. NUT ZINC 1/2-13
11	NC01-04-0236	2	CAP SCREW 1/2-13 X 1 3/4"
12	NC02-07-0017	4	HEX NUT 5/16-18
13	NC02-32-0011	4	LOCK WASHER ZINC 5/16"
14	NC02-22-0008	4	WASHER ZINC 1/4"



MACHINE : MAX PRO KUBOTA L6060

AGRIMETAL	
LEFT MUD GUARD ASS.	
CREATION : 2016-07-19	ASSEMBLY : 92-55-0010
REVISION : 2016-08-10	AUTHOR : JA. H

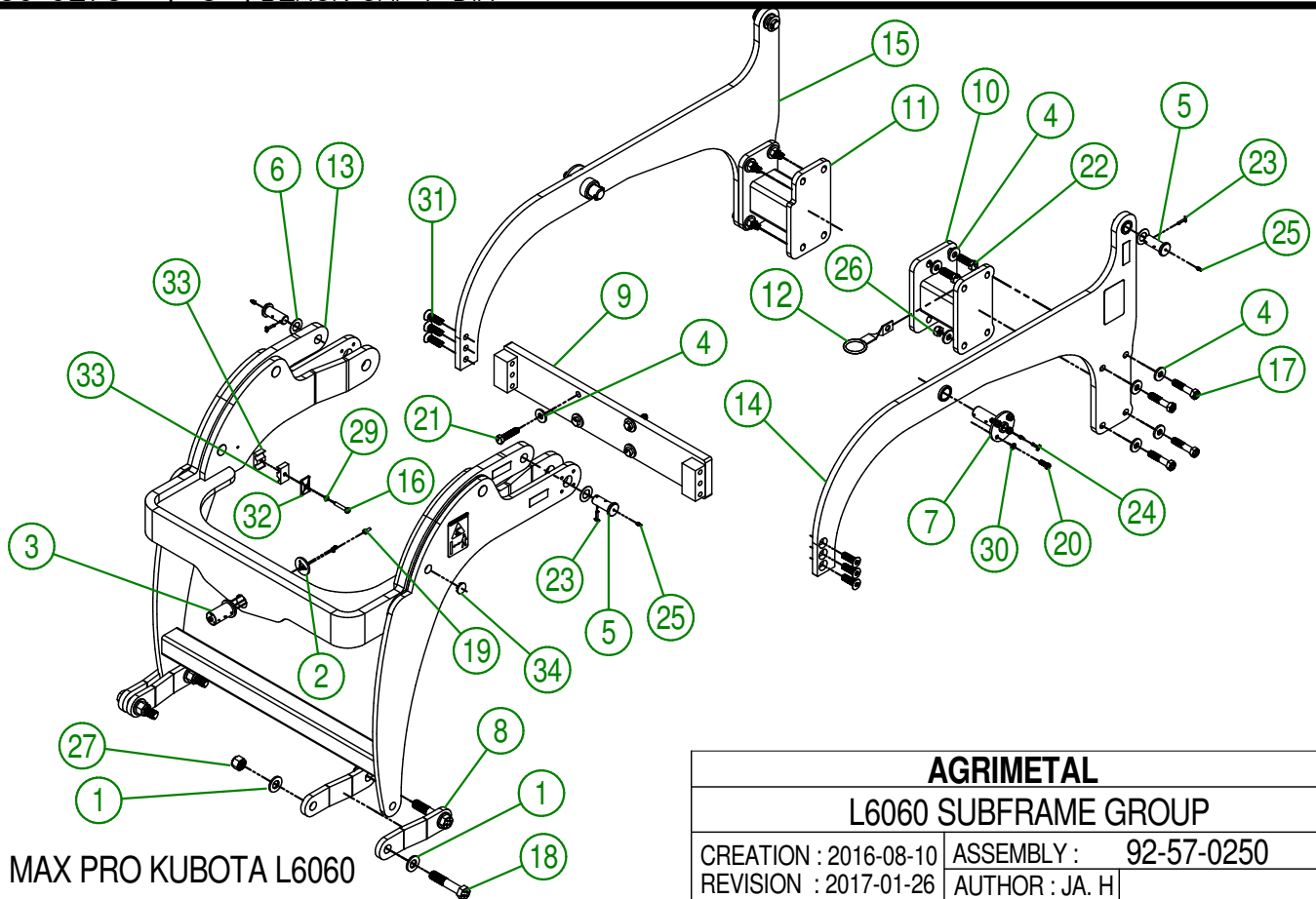
#	# DE PIÈCE	Qty	TITLE
1	NC13-45-0257	2	HYDRAULIC CYLINDER 2 1/2" X 12" STROKE
2	NC13-45-0254	8	90 DEG ELBOW 9/16"-18 MALE SAE6 O RING X 3/8" MALE JIC
3	NC17-02-0369	1	HYDRAULIC HOSE 82"
4	NC17-02-0371	1	HYDRAULIC HOSE 88"
5	NC17-02-0351	1	HYDRAULIC HOSE 34"
6	NC13-45-0247	2	STRAIGHT FITTING 1/2" MALE NPT X 3/8" MALE JIC
7	NC13-45-0014	4	QUICK COUPLER 1/2-14 NPTF
8	NC17-02-0361	1	HYDRAULIC HOSE 24"
9	NC17-02-0354	1	HYDRAULIC HOSE 60"
10	NC13-45-0244	2	TEE FITTING 3/8" MALE NPT X 3/8" MALE JIC X 3/8" MAL JIC
11	NC13-45-0241	1	FLOW CONTROLE 3/8" NPT FEMALE
12	NC13-45-0246	1	HEX 1/2" MALE NPT X 3/8" MALE NPT
13	NC17-02-0361	1	HYDRAULIC HOSE 24"
14	NC17-02-0354	1	HYDRAULIC HOSE 60"
15	NC13-45-0031	1	REDUCER FITTING 3/8" FEM. NPT X 1 1/2" MALE NPT
16	NC13-45-0238	1	HYDRAULIC CYLINDER 2" X 24" STROKE
17	NC13-45-0237	1	HYDRAULIC CYLINDER 2 1/2" X 24" STROKE
18	91-22-2200	8	FLAT WASHER HYDRAULIC CYLINDER



MACHINE : MAX PRO KUBOTA L6060 6-10

AGRIMETAL	
HYDRAULIC GROUP	
CREATION : 2016-08-10	ASSEMBLY : 92-57-0220
REVISION : 2016-11-30	AUTHOR : JA.H

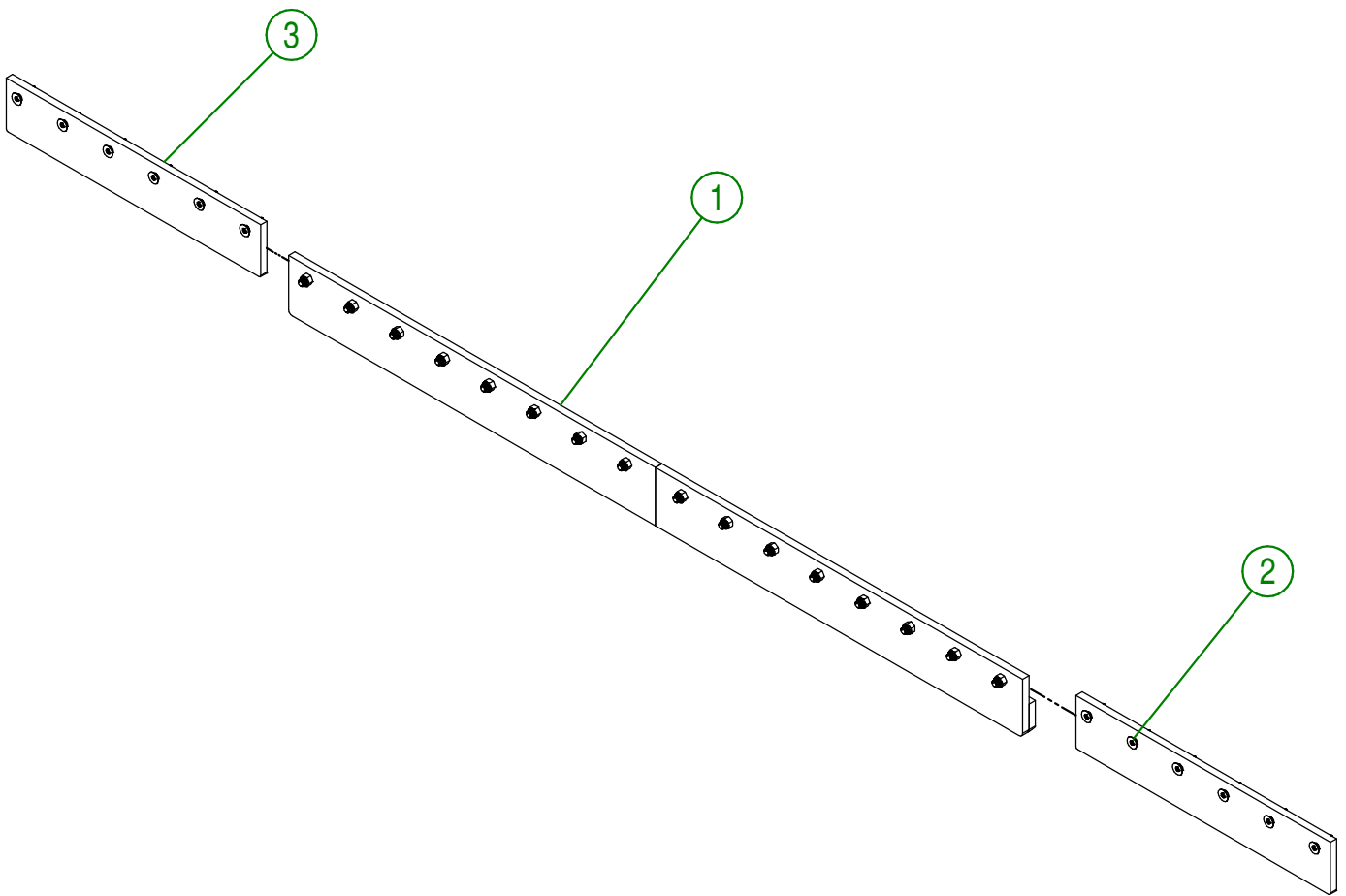
#	# DE PIÈCE	Qty	TITLE
1	09-04-0050	8	PNO 3/16" X I 49/64" DIA. X Ø 7/8" FLAT WASHER
2	91-04-0010	1	FLAT WASHER CENTER PIVOT
3	91-13-2800	1	CENTER PIVOT SHAFT
4	91-20-0155	22	FLAT WASHER
5	91-20-0210	4	CYLINDER PIVOT
6	91-22-2200	4	FLAT WASHER HYDRAULIC CYLINDER
7	91-50-0030	2	SUBFRAME PIVOT
8	92-04-1455	4	CONNECTOR
9	92-50-0070	1	FRONT PLATE
10	92-50-0090	1	LEFT FRAME SPACER
11	92-50-0095	1	RIGHT FRAME SPACER
12	92-50-0100	1	HYDRAULIC HOSE BRACKET
13	92-57-0275	1	MOVING SUBFRAME L6060 GROUP
14	92-57-0280	1	LEFT SIDE SUBFRAME GROUP
15	92-57-0285	1	RIGHT SIDE SUBFRAME GROUP
16	NC01-17-0063	1	CAP SCREW GR2 NC ZINC 5/16-18 X I 3/4"
17	NC01-33-0400	8	CAP SCREW GR8 NC ZINC 5/8-11 X 3" LG
18	NC01-33-0506	4	CAP SCREW GR8 NC ZINC 7/8-9 X 4 1/2" LG
19	NC01-37-0003	3	CAP SCREW GR8 1/4-28 X 5/8"
20	NC01-37-0114	8	BOLT GR8 3/8" X 1"
21	NC01-50-0089	4	BOLT GR10.9 NF 14MM X 1.5 THREAD X 60MM LG
22	NC01-50-0107	2	BOLT GR10.9 NF 16MM X 1.5 THREAD X 50MM LG
23	NC01-69-0159	4	COTTER PIN ZINC 3/16 X I 1/2"
24	NC01-69-0160	2	COTTER PIN ZINC 3/16 X I 3/4"
25	NC01-69-0785	8	STRAIGHT GREASE FITTING 1/4-28
26	NC01-93-0016	8	STOP NUT ZINC 5/8-11
27	NC01-96-0018	4	NYLON INSERT NUT 7/8-9
28	NC02-32-0010	3	LOCK WASHER ZINC 1/4"
29	NC02-32-0011	1	LOCK WASHER ZINC 5/16"
30	NC02-32-0012	8	LOCK WASHER ZINC 3/8"
31	NC02-48-0564	6	FLAT HEAD SOCKET CAP SCREW STAINLESS 5/8-11 X 2" LG
32	NC13-45-0252	1	HYDRAULIC HOSE PROTECTOR CAP
33	NC13-45-0253	2	3/8 HYDRAULIC HOSE PROTECTOR
34	NC13-80-0273	8	BLACK CAP 1" DIA



MACHINE : MAX PRO KUBOTA L6060

AGRIMETAL	
L6060 SUBFRAME GROUP	
CREATION : 2016-08-10	ASSEMBLY : 92-57-0250
REVISION : 2017-01-26	AUTHOR : JA. H

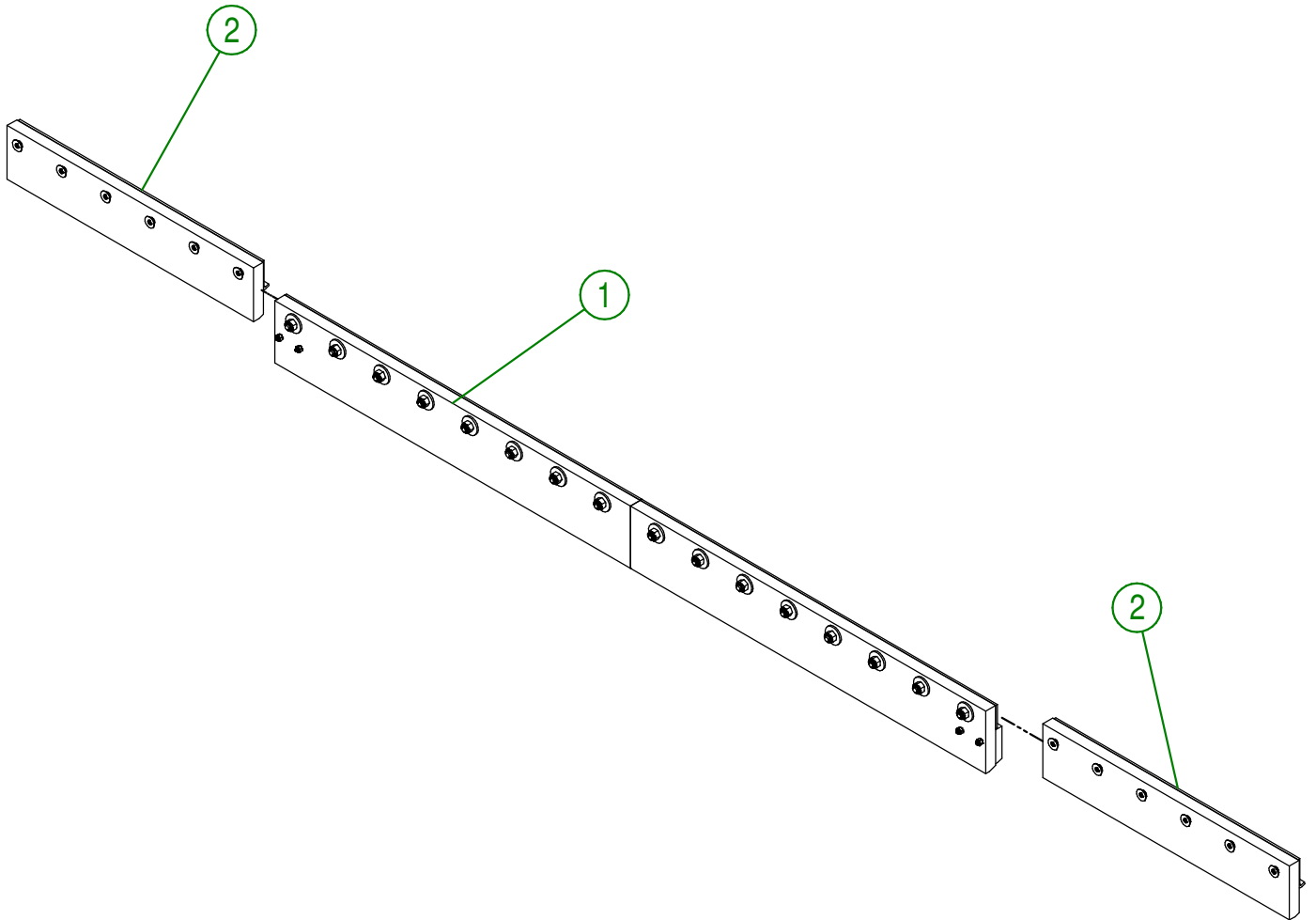
#	# DE PIÈCE	Qty	TITLE
1	92-57-0105	1	CENTRAL KNIVE GROUP
2	92-57-0115	1	RIGHT KNIVE GROUP
3	92-57-0125	1	LEFT KNIVE GROUP



MACHINE : MAX PRO 6-10

AGRIMETAL	
QT KNIFE GROUP	
CREATION : 2016-08-10	ASSEMBLY : 92-57-0200
REVISION : 2016-08-10	AUTHOR : JA. H

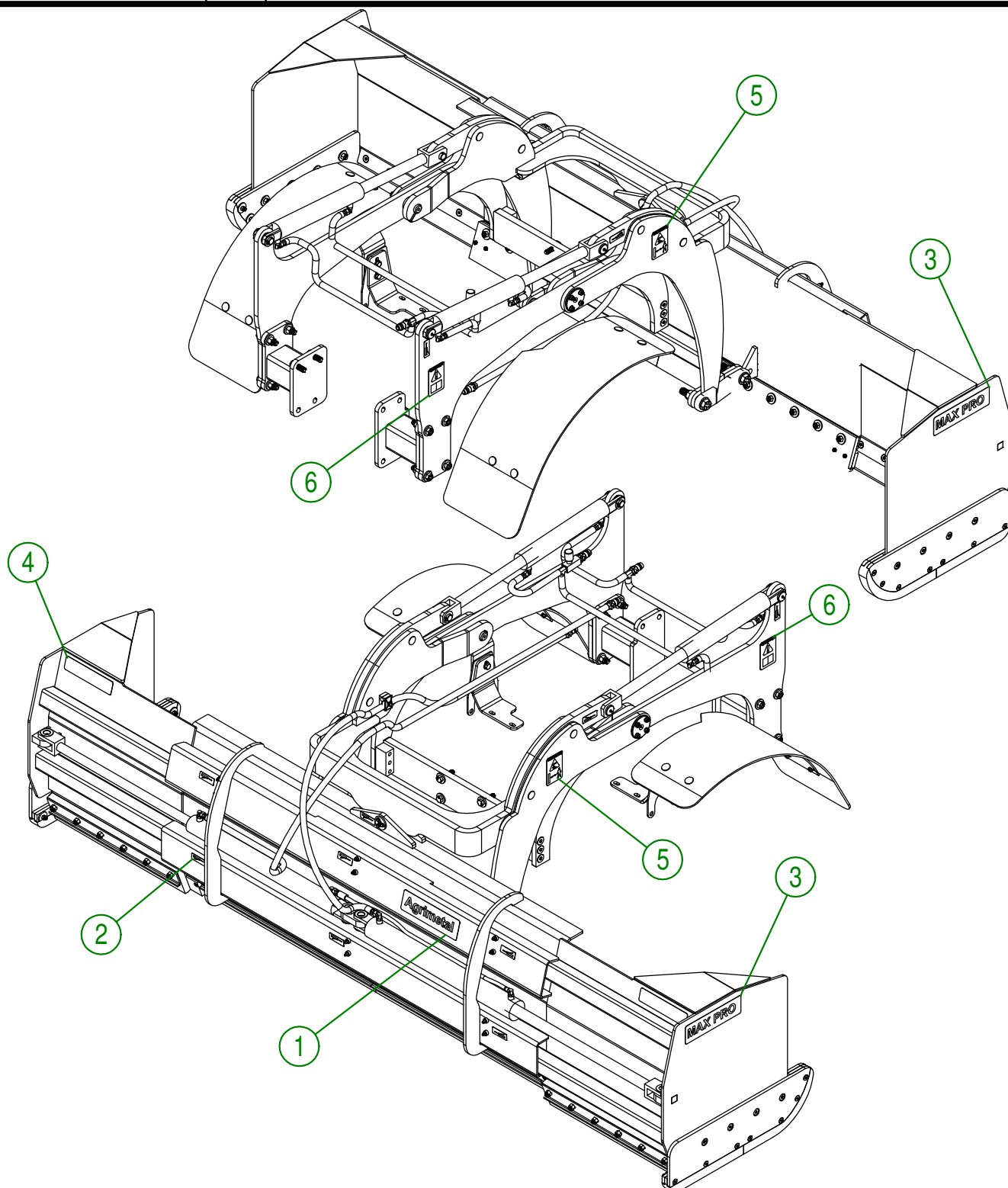
#	# DE PIÈCE	Qty	TITLE
1	92-57-0100	1	UHMW CENTRAL KNIFE
2	92-57-0120	2	UHMW RIGHT & LEFT KNIFE



MACHINE : MAX PRO 6-10

AGRIMETAL	
UHMW KNIFE GROUP	
CREATION : 2016-08-10	ASSEMBLY : 92-57-0205
REVISION : 2016-08-10	AUTHOR : JA. H

#	# DE PIÈCE	Qty	TITRE
1	NC13-33-0035	1	STICKER AGRIMETAL
2	NC13-33-0024	14	STICKER GREASE HERE
3	NC13-33-0265	2	STICKER MAX PRO
4	28-60-0050	2	SCOTCHLITE STICKER
5	NC13-33-0268	2	STICKER WARNING
6	NC13-33-0183	2	STICKER CAUTION OPERATION MANUEL



MACHINE : MAX PRO KUBOTA L6060 6-10

**AGRIMETAL
STICKER**

CREATION : 2016-08-10 ASSEMBLY : 92-99-0500
 REVISION : 2016-09-09 AUTHOR : JA. H

AGRIMETAL INC.
1006 RUE PRINCIPALE
WICKHAM, QUÉBEC
CANADA, J0C 1S0

TEL: (819) 398-6883
FAX: (819) 398-5311
www.agrimetal.com