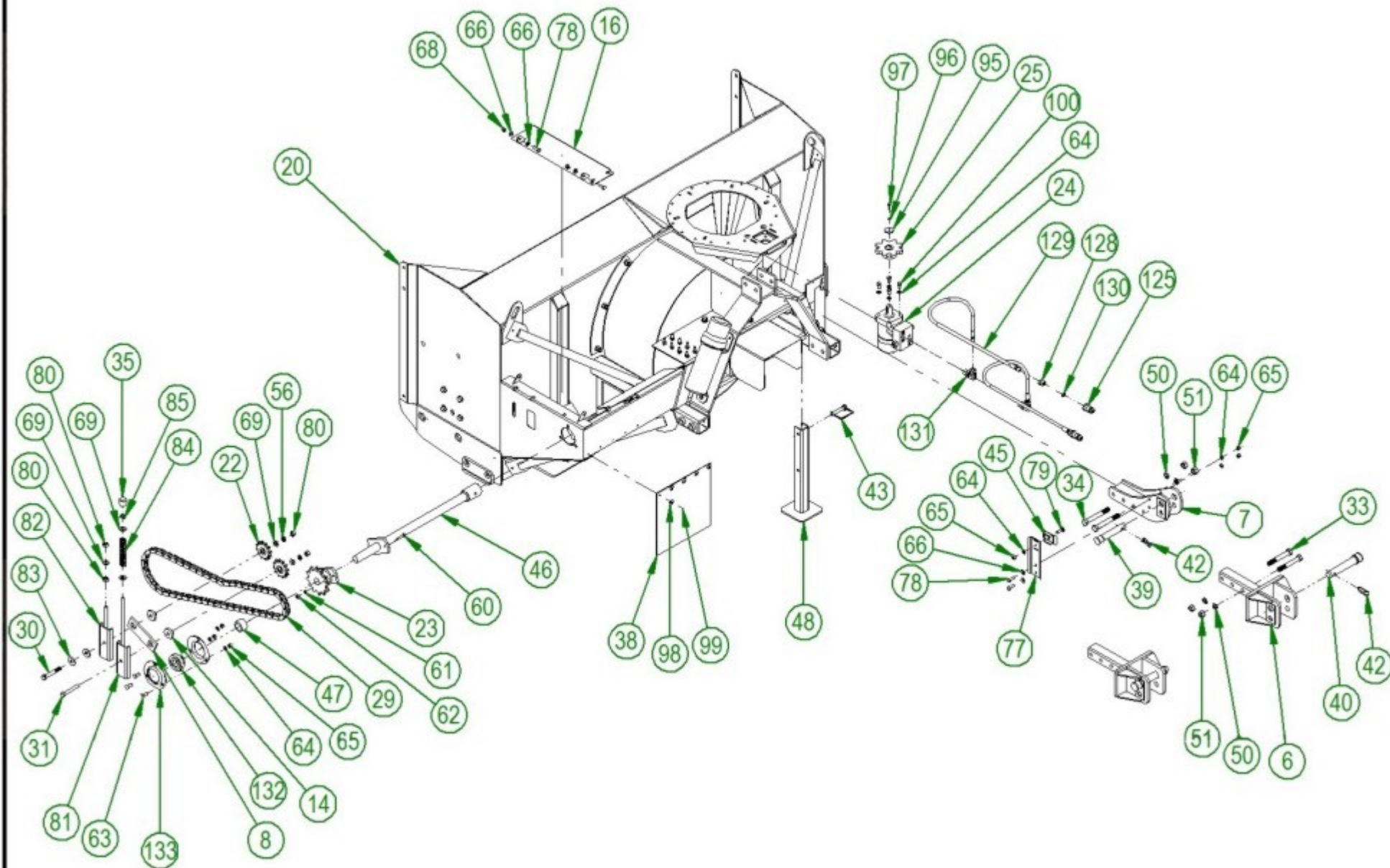


MS 2674



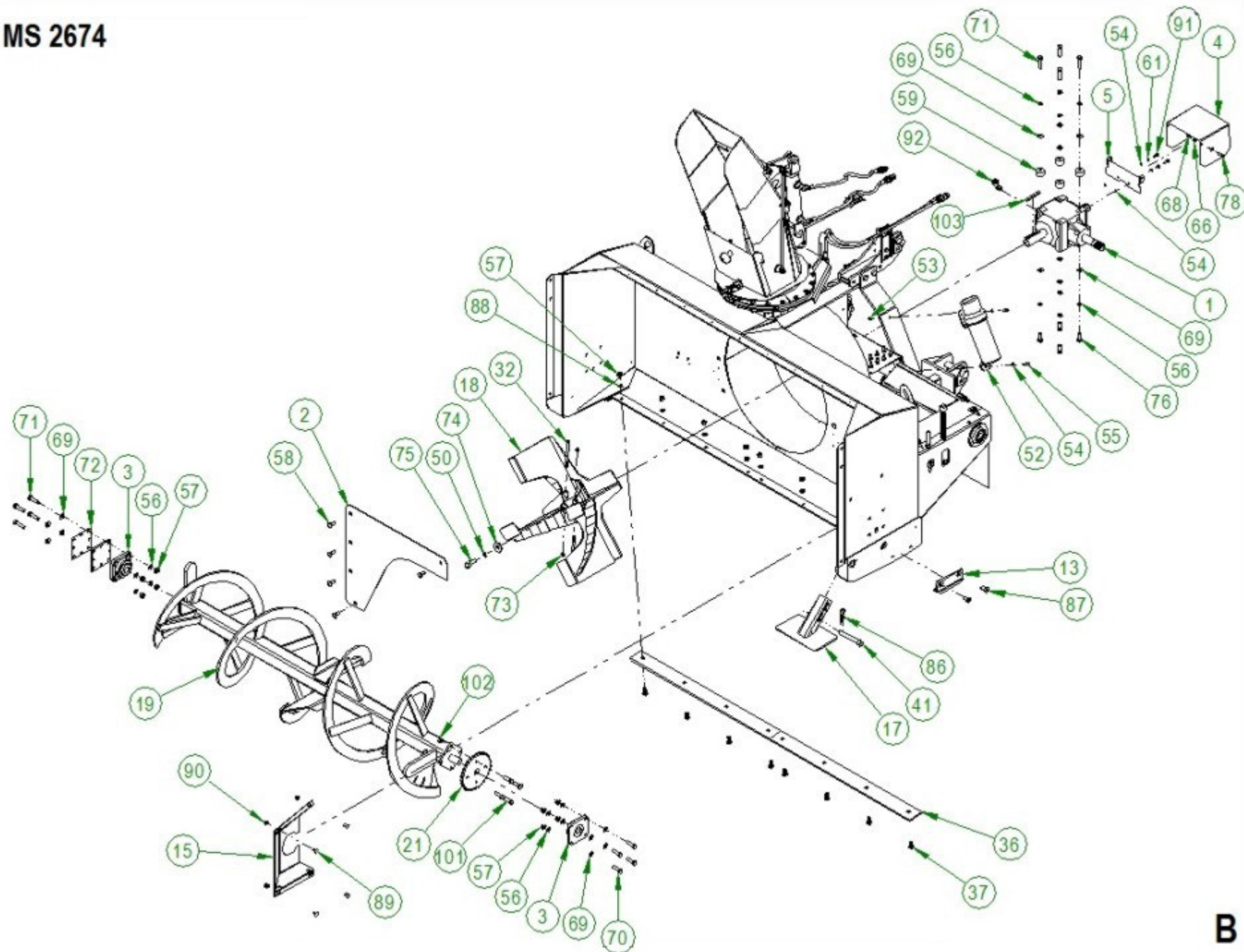
FRAME (MS-2674)

REF.	PART NO.	DESCRIPTION	QTE
6	46-50-0100	3-POINTS HITCH	2
7	46-50-0105	3-POINTS HITCH	1
8	80-05-1505	CHAIN TENSIONER	1
14	80-21-0000	BUSHING	2
17	80-57-0035	CHAIN GUARD	1
20	80-57-0000	FRAME(MS 2674)	1
22	NC14-55-0295	SPROCKET	2
23	NC14-55-0293	SPROCKET	1
24	NC14-45-0141	HYDRAULIC MOTOR	1
25	48-50-1025	HYDRAULIC MOTOR SPROCKET	1
29	80-37-1000	CHAIN #60 HD	1
30	NC01-29-0257	HEX.BOLT 1/2"-20 X 3 1/2" LG (GRADE 5)	1
31	NC01-29-0256	HEX.BOLT 1/2"-20 X 3 1/4" LG (GRADE 5)	1
32	NC01-37-0132	HEX. BOLT NF ZINC 3/8"-24 X 5 1/2" (GRADE 8)	2
33	NC01-33-0406	HEX.BOLT 5/8"-11 X 4 1/2" LG (GRADE 8)	4
34	NC01-33-0408	HEX. BOLT GR8 NC ZINC 5/8-11 X 5	2
35	80-42-0110	CAP	1
38	80-42-0030	SNOW GUARD	1
39	48-20-0060	HITCH PIN (CAT. 2)	1
40	48-20-0065	HITCH PIN (CAT. 2)	2
42	NC01-69-1100	LINCHPIN 3/8" Dia.	3
43	NC01-69-1306	LOCK PIN 3/8" Dia. X 2 1/2" LG	1
45	48-01-7530	HYDRAULIC HOSE SUPPORT	2
46	80-50-0065	DRIVE SHAFT (MS 2674 & MS 2474-D)	1
47	80-24-0000	BUSHING	1
48	80-50-0093	STAND	1
50	NC02-32-0016	LOCK WASHER Ø 5/8"	7
51	NC02-07-0022	HEX. NUT 5/8"-11	6
56	NC02-32-0014	LOCK WASHER Ø 1/2"	25
60	80-57-0030	SHEAR BOLT WITH NUT (9
61	NC02-32-0011	LOCK WASHER Ø 5/16"	11
62	NC02-07-0017	HEX.NUT 5/16"-18	9
63	NC01-07-0109	CARR.BOLT 3/8"-16 X 1" LONG (GRADE 5)	3
64	NC02-32-0012	LOCK WASHER Ø 3/8"	12
65	NC02-07-0018	HEX.NUT 3/8"-16	8
66	01-01-2485	FLAT WASHER 13/16" Dia. X Ø 25/64" X 14GA	28
68	NC01-96-0011	NYLON INSERT LOCKNUTS 3/8"-16	26
69	NC02-25-0011	FLAT WASHER Ø 17/32"	23
77	80-01-7590	SUPPORT	1
78	NC01-17-0114	HEX.BOLT 3/8"-16 X 1" LG (GRADE2)	6
79	NC01-04-0110	CARRIAGE BOLT 3/8"-16 X 1 1/4" LG (GRADE 2)	2
80	NC02-10-0020	HEX.NUT 1/2"-20	4
81	80-50-0076	CHAIN TENSIONER	1
82	80-50-0075	CHAIN TENSIONER	1
83	01-01-1660	FLAT WASHER 1 1/2 Dia. X Ø 33/64 X 11GA	2
84	NC13-86-0052	SPRING	1
85	NC01-96-0014	NYLON INSERT LOCKNUTS 1/2"-13	2
95	39-01-1105	WASHER	1
96	NC02-32-0010	LOCK WASHER Ø 1/4"	1
97	NC01-17-0004	HEX.BOLT 1/4"-20 X 3/4" LG (GRADE 2)	1
98	16-01-2720	FLAT WASHER 13/16" Dia. X Ø 13/64" X 14 GA	5
99	NC01-78-0016	ALUMINIUM RIVET 3/16" X 5/8" LG	5
100	NC01-17-0112	HEX.BOLT 3/8"-16 X 3/4" LG (GRADE 2)	4
125	NC13-45-0014	QUICK DISCON.COUPLER 1/2"-14 NPTF	4
128	NC13-45-0153	HEX.REDUCER 1/4 FEM. NPT X 1/2 MÂLE NPT	4
129	NC17-02-0328	HYDRAULIC HOSE (63" LG)	2

FRAME (MS-2674)

REF.	PART NO.	DESCRIPTION	QTE
130	32-21-0010	HYDRAULIC RESTRICTOR	4
131	NC13-45-0072	90° 7/8"-14 MALE SAE O RING X 3/8" FEM.TOUR.NPT	2
132	NC14-75-0162	BEARING	1
133	NC14-75-0093	PRESSED STEEL FLANGE	2

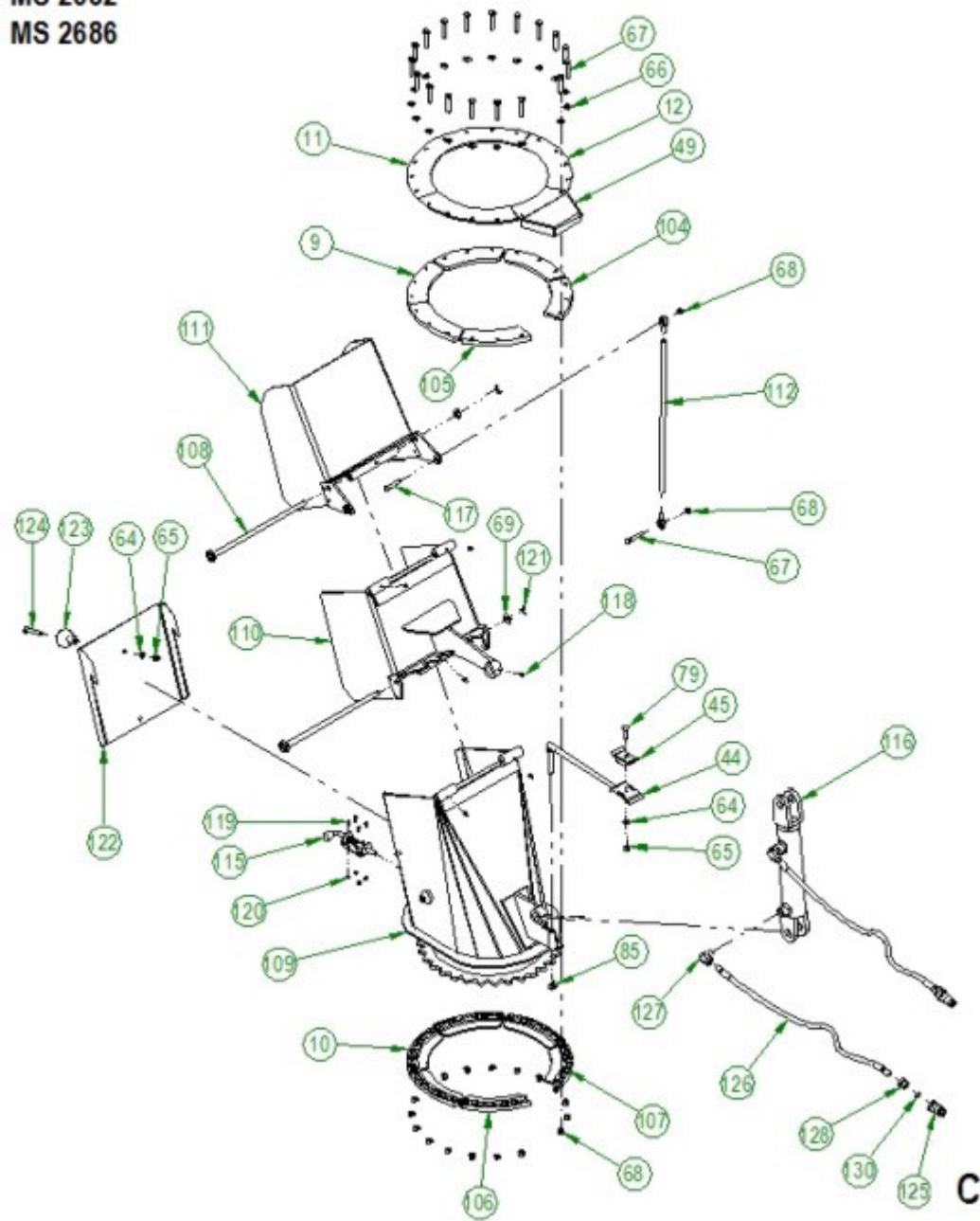
MS 2674



FRAME (MS-2674)

REF.	PART NO.	DESCRIPTION	QTE
1	NC14-10-0136	GEARBOX	1
2	80-04-0025	SNOW GUARD	1
3	NC14-75-0024	FLANGE BEARING	2
4	80-57-0040	PTO GUARD (MS 26 & 26-D)	1
5	80-01-7525	PTO GUARD SUPPORT (MS 26 & 26-D)	1
13	80-50-0085	LATERAL SKATE (#450 HARDNESS STEEL)	2
15	80-50-0070	CHAIN GUARD (MS 26)	1
17	80-50-0055	AJUSTABLE SKATE (#450 HARDNESS STEEL)	2
18	80-50-0050	IMPELLER (MS 26)	1
19	80-50-0080	SPIRAL (MS 2674)	1
21	80-36-0500	SPROCKET	1
32	NC01-37-0132	HEX. BOLT NF ZINC 3/8"-24 X 5 1/2" (GRADE 8)	2
36	80-20-0450	KNIFE (#450 HARDNESS STEEL)	2
37	NC01-09-0029	PLOW BOLT NC.Z 1/2-13" X 1 1/4" (GRADE 5)	8
41	49-20-0210	PIN	2
50	NC02-32-0016	LOCK WASHER Ø 5/8"	7
52	NC13-30-0237	CAPSULE WITH END CAP	1
53	NC01-96-0009	NYLON INSERT LOCKNUTS 1/4"-20	2
54	NC02-22-0008	FLAT WASHER Ø 5/16"	6
55	NC01-17-0007	HEX. BOLT GR2 NC ZINC 1/4"-20 X 1 1/4"	2
56	NC02-32-0014	LOCK WASHER Ø 1/2"	25
57	NC01-93-0014	STOP NUT 1/2"-13	23
58	NC01-04-0233	CARR. BOLT GR2 NC ZINC 1/2-13 X 1 PTV	7
59	80-21-0010	BUSHING	4
61	NC02-32-0011	LOCK WASHER Ø 5/16"	11
66	01-01-2485	FLAT WASHER 13/16" Dia. X Ø 25/64" X 14GA	28
68	NC01-96-0011	NYLON INSERT LOCKNUTS 3/8"-16	26
69	NC02-25-0011	FLAT WASHER Ø 17/32"	23
70	NC01-17-0250	HEX. BOLT GR2 NC ZINC 1/2"-13 X 1 3/4"	4
71	NC01-17-0251	HEX.BOLT 1/2"-13 X 2" (GRADE 2)	8
72	80-01-1525	SHIM	2
73	NC01-94-0011	LOCKNUTS 3/8"-24	2
74	80-04-0185	WASHER	1
75	NC01-17-0395	HEX. BOLT NC ZINC 5/8-11" X 1 3/4" (GRADE 2)	1
76	NC01-17-0248	HEX.BOLT 1/2"-13 X 1 1/4" LG (GRADE 2)	4
78	NC01-17-0114	HEX.BOLT 3/8"-16 X 1" LG (GRADE2)	6
86	NC01-63-0026	HITCH PIN CLIPS 5/32" X 3" LG	3
87	NC02-48-0052	FLAT HEAD SOCKET CAP SCEW T.FRA 5/8-11" X 1 1/4"	4
89	NC01-04-0107	CARR.BOLT 3/8"-16 X 3/4" LG (GRADE 2)	4
90	NC02-14-0019	FLANGE HEX. LOCKNUTS 3/8"-16 (GRADE B)	4
91	NC01-45-0184	METRIC BOLT 8MM X 20MM (GRADE 8.8)	2
92	NC13-65-0003	BRASS ELBOW 90° 3/8 FEM. NPT X 3/8 MALE NPT	1
101	NC01-29-0249	HEX.BOLT 1/2"-20 X 1 1/2 (GRADE 5)	4
102	NC01-94-0013	LOCKNUTS 1/2-20	4
103	80-41-0900	IMPELLER KEY	1

MS 2674
MS 2682
MS 2686



CHUTE (MS-2674)

REF.	PART NO.	DESCRIPTION	QTE
9	NC17-46-0028	CROWN CHUTE GUIDE	4
10	NC17-46-0027	CROWN CHUTE GUIDE	4
11	80-01-1015	BRACE	1
12	80-01-1010	BRACE	2
44	48-50-1030	HYDRAULIC HOSE SUPPORT	1
45	48-01-7530	HYDRAULIC HOSE SUPPORT	2
49	80-01-3000	GEAR GUARD	1
64	NC02-32-0012	LOCK WASHER Ø 3/8"	12
65	NC02-07-0018	HEX.NUT 3/8"-16	8
66	01-01-2485	FLAT WASHER 13/16" Dia. X Ø 25/64" X 14GA	28
67	NC01-17-0118	HEX.BOLT 3/8"-16 X 2" LG (GRADE 2)	20
68	NC01-93-0011	STOP NUT 3/8"-16	26
69	NC02-25-0011	FLAT WASHER Ø 17/32"	23
79	NC01-04-0110	CARRIAGE BOLT 3/8"-16 X 1 1/4" LG (GRADE 2)	2
85	NC01-96-0014	NYLON INSERT LOCKNUTS 1/2"-13	2
104	80-42-0320	CHUTE GUIDE	1
105	80-42-0315	CHUTE GUIDE	1
106	80-42-0305	CHUTE GUIDE	1
107	80-42-0310	CHUTE GUIDE	1
108	80-50-0340	PIVOT	2
109	80-57-0300	CHUTE (BOTTOM SECTION) (MS 26)	1
110	80-57-0310	CHUTE (MIDDLE SECTION) (MS 26)	1
111	80-57-0320	CHUTE (TOP SECTION) (MS 26)	1
112	48-55-1035	ROD	2
115	NC13-80-0213	SPRING-LOCK	1
116	NC13-45-0209	HYDRAULIC CYLINDER	1
117	NC01-17-0117	HEX.BOLT 3/8"-16 X 1 3/4" LG (GRADE 2)	2
118	NC01-69-0785	GREASE FITTING 1/4"-28 (STRAIGHT)	8
119	NC02-40-0082	SCREW ZINC 10-24 X 3/4 OR 3/16 X 3/4	4
120	NC01-96-0006	NYLON INSERT LOCKNUTS 10-24	4
121	NC01-69-0139	SPLIT PIN 1/8" X 3/4"	2
122	80-57-0360	CHUTE DOOR	1
123	NC17-46-0018	PLASTIC KNOB	1
124	NC01-17-0119	HEX.BOLT 3/8"-16 X 2 1/4" LG (GRADE 2)	1
125	NC13-45-0014	QUICK DISCON.COUPLER 1/2"-14 NPTF	4
126	NC17-02-0329	HYDRAULIC HOSE (87" LG)	2
127	NC13-45-0038	ELBOW 90° 3/8 FEM.NPT X 3/8 MALE NPT	2
128	NC13-45-0153	HEX.REDUCER 1/4 FEM. NPT X 1/2 MÂLE NPT	4
130	32-21-0010	HYDRAULIC RESTRICTOR	4

STICKER (MS-2674)

REF.	PART NO.	DESCRIPTION	QTE
N/I	80-58-0000	STICKER KIT (MS-2674)	1
N/I	01-60-0040	STICKER MAXIMUM 540 RPM	1
N/I	03-60-0005	STICKER GREASE GUN	5
N/I	NC13-33-0104	STICKER IMPORTANT 4 INCHES 100 MM	1
N/I	NC13-33-0183	STICKER CAUTION (OPERATION MANUAL)	1
N/I	NC13-33-0186	STICKER DANGER BLOWER BLADE HAZARD	3
N/I	NC13-33-0187	STICKER DANGER ROTATING DRIVELINE	1
N/I	NC13-33-0189	STICKER WARNING ROTATING PART HAZARD (VERTICAL)	1
N/I	NC13-33-0192	STICKER DANGER THROWN OBJECT HAZARD	2
N/I	NC13-33-0208	STICKER "*****DANGER*****"	1
N/I	NC13-33-0239	STICKER AGRIMETAL INC (VERTICAL 2 1/4" X 12")	2
N/I	NC13-33-0241	STICKER MAX-SNOW COMMERCIAL	1
N/I	NC13-33-0242	STICKER 2674	1
N/I	NC13-33-0247	STICKER WARNING ROTATING PART HAZARD (HORIZONTAL)	1