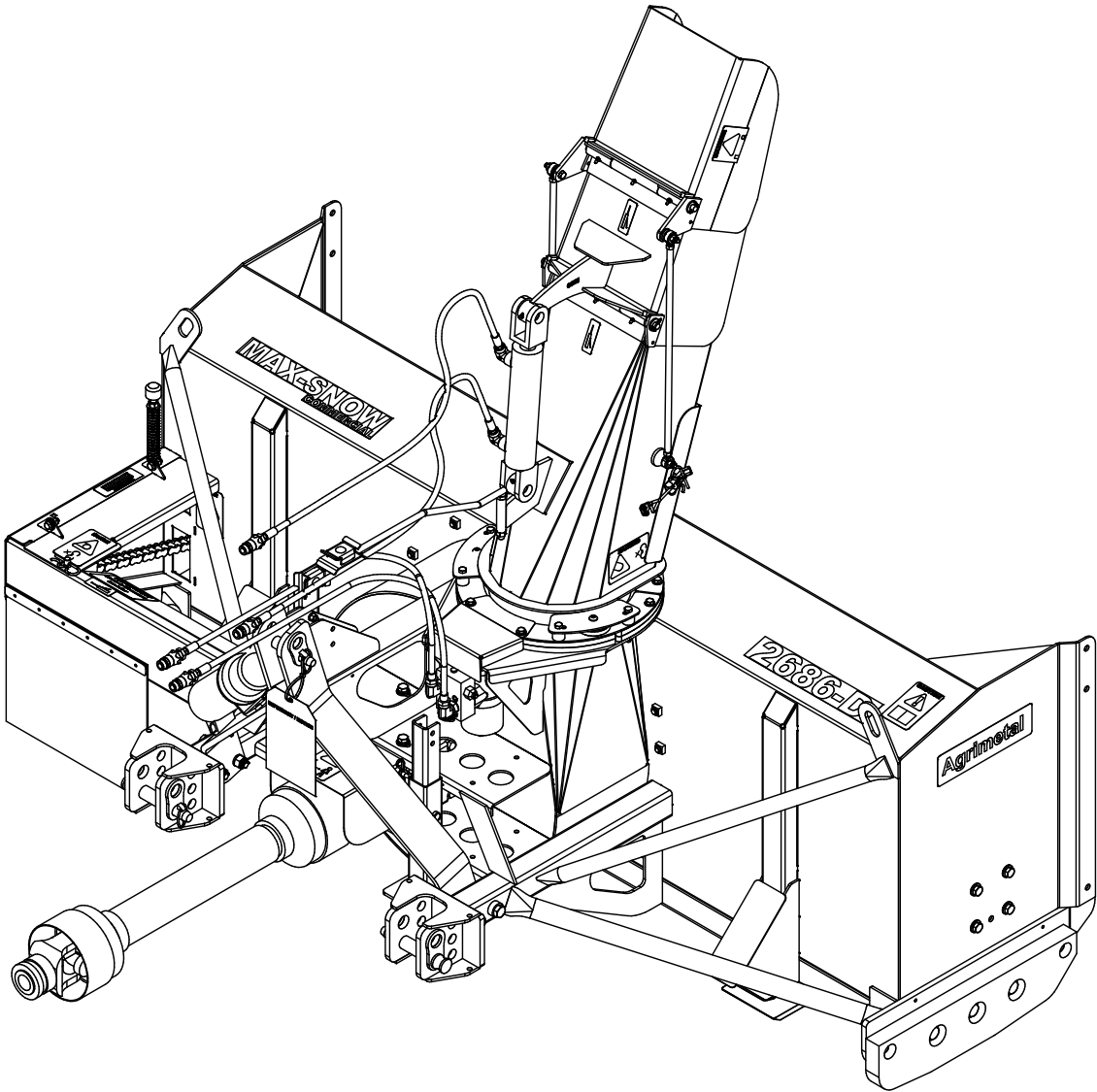


AgriMetal

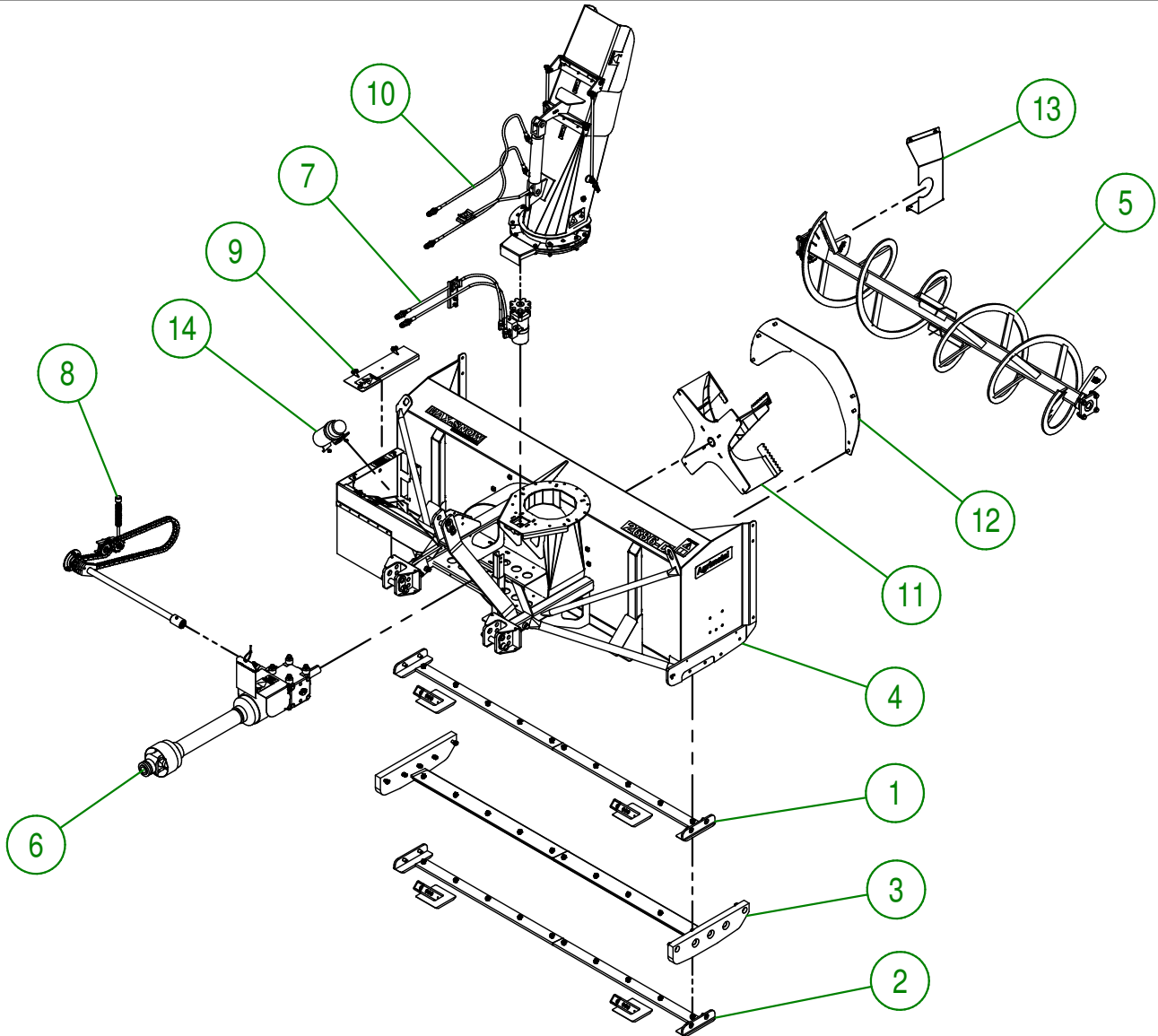
PARTS LIST



MS 2686-D

80-99-6000

#	PART #	Qty	TITLE
1	80-57-1200	1	SET OF KNIVES (#450 HARDNESS STEEL)
2	80-57-1210	1	SET OF KNIVES (STAINLESS STEEL)
3	80-57-1205	1	SET OF KNIVES (UHMW)
4	80-57-6440	1	FRAME GROUP
5	80-57-6415	1	SPIRALE GROUP
6	80-57-0430	1	GEARBOX GROUPING
7	80-57-0410	1	HYDRAULIC MOTOR GROUP
8	80-57-6435	1	SPIRAL DRIVE TRAIN GROUP
9	80-57-5445	1	CHAIN GUARD GROUP
10	80-57-5330	1	CHUTE (11") GROUP
11	80-57-5425	1	IMPELLER GROUP
12	80-57-5420	1	SNOW GUARD GROUP
13	80-57-5405	1	SPIRAL CHAIN GUARD GROUP
14	80-57-0400	1	OPERATOR'S MANUAL TUBE GROUP



AGRIMETAL

MS2686-D

MACHINE: MS 2686-D

CREATION : 18/07/16
REVISION : 18/07/16

ASSEMBLY : **80-99-6000**
AUTHOR : J. HOULE