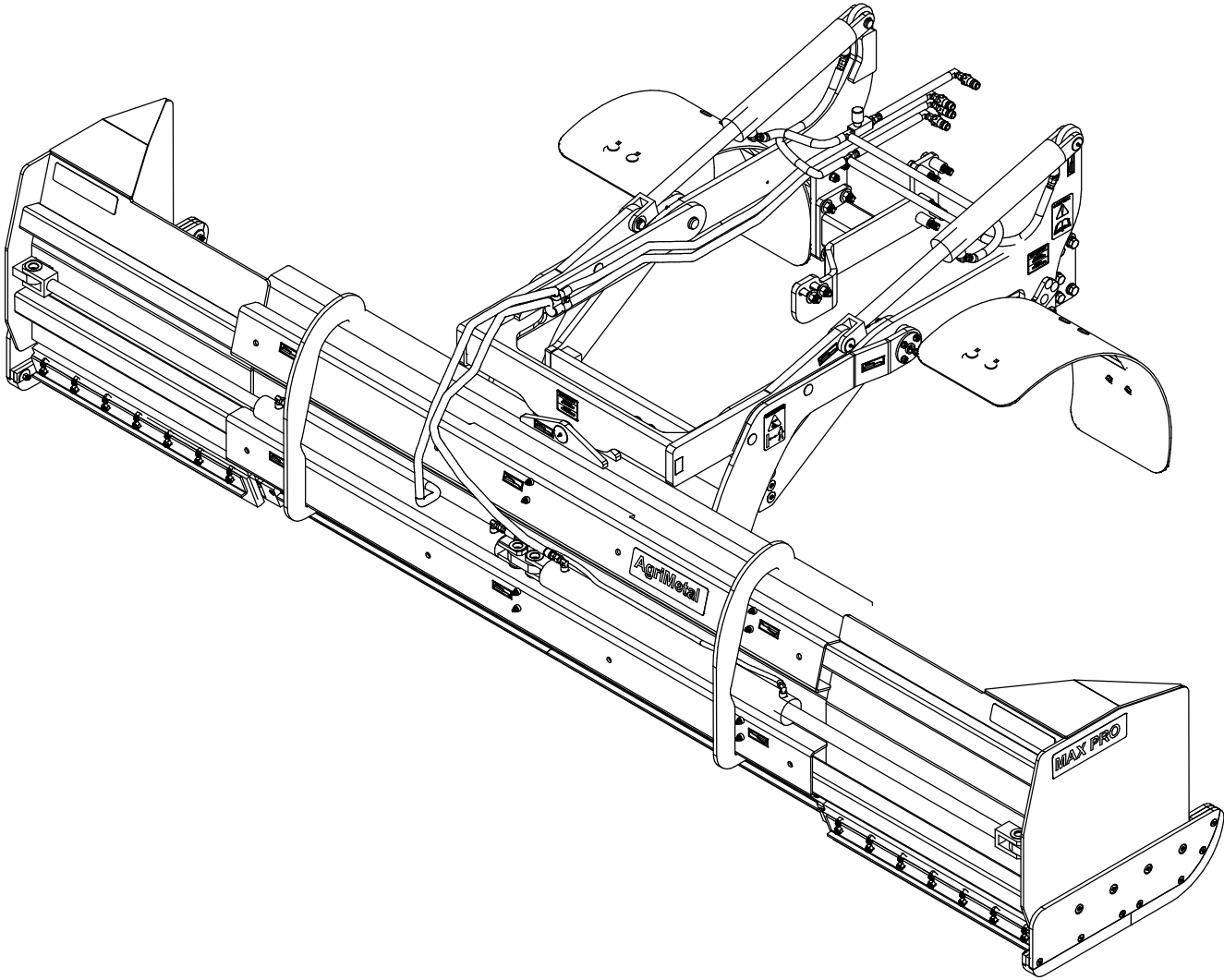


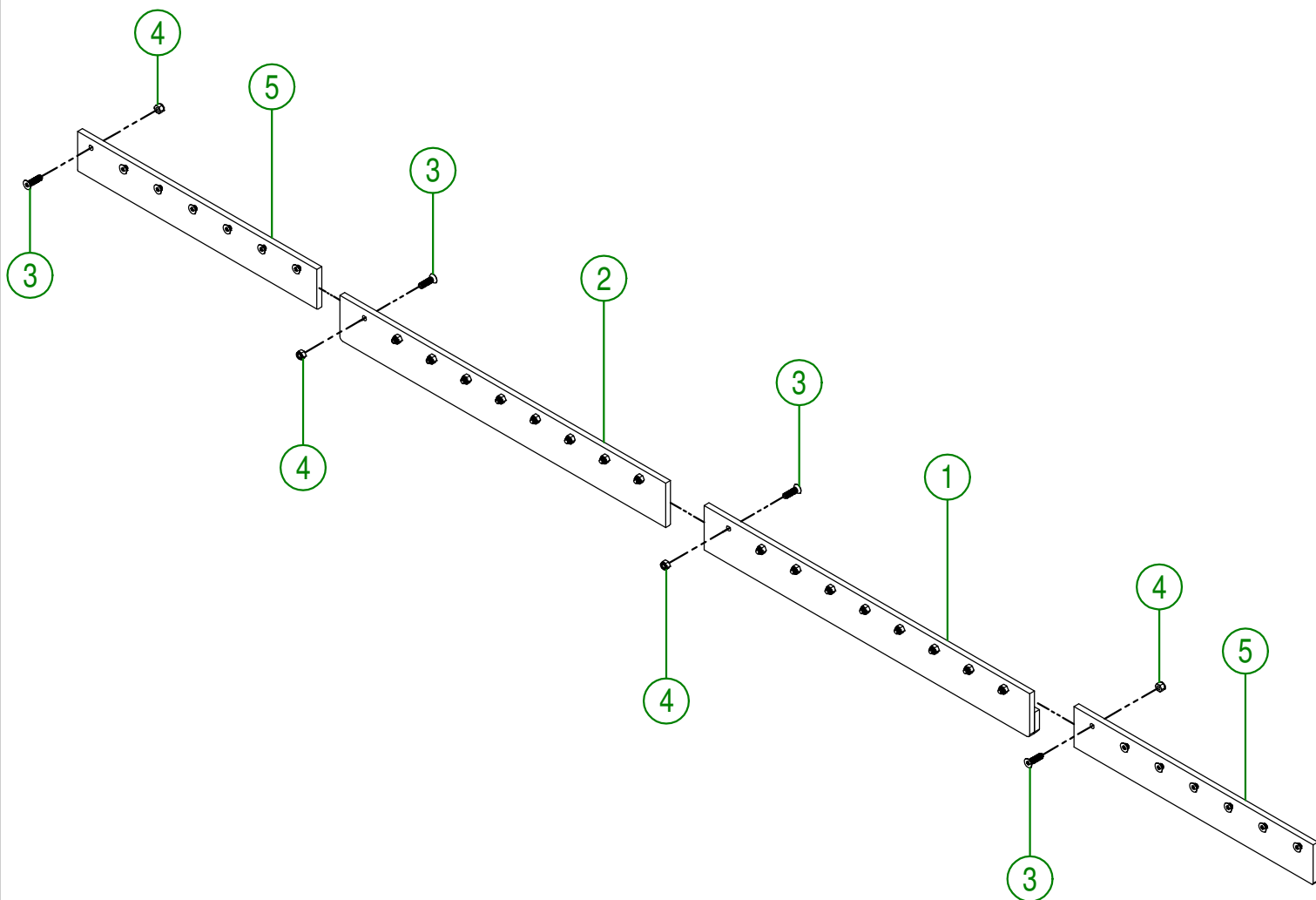
AgriMetal

PARTS LIST



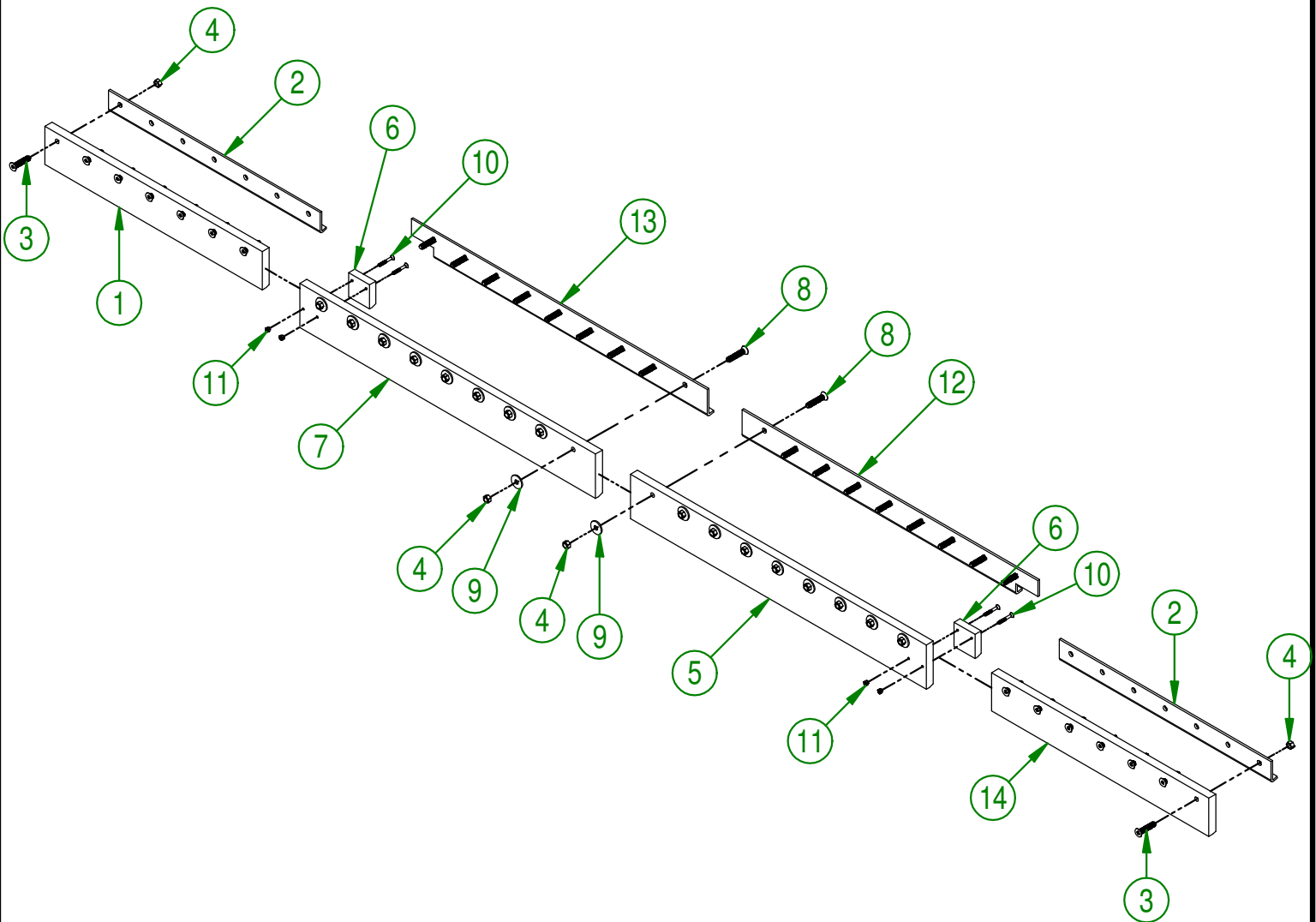
MAX-PRO 7-12 (CASE 55C CVT)

#	PART #	Qty	TITLE
1	91-50-0051	1	RIGHT CENTER KNIFE
2	91-50-0056	1	LEFT CENTER KNIFE
3	NC02-48-0547	32	FLAT HEAD SOCKET CAP SCREW STAINLESS 1/2-13 X 1 3/4
4	NC01-96-0014	32	NYLON INSERT LOCKNUT 1/2-13"
5	91-20-0387	2	RIGHT & LEFT KNIFE



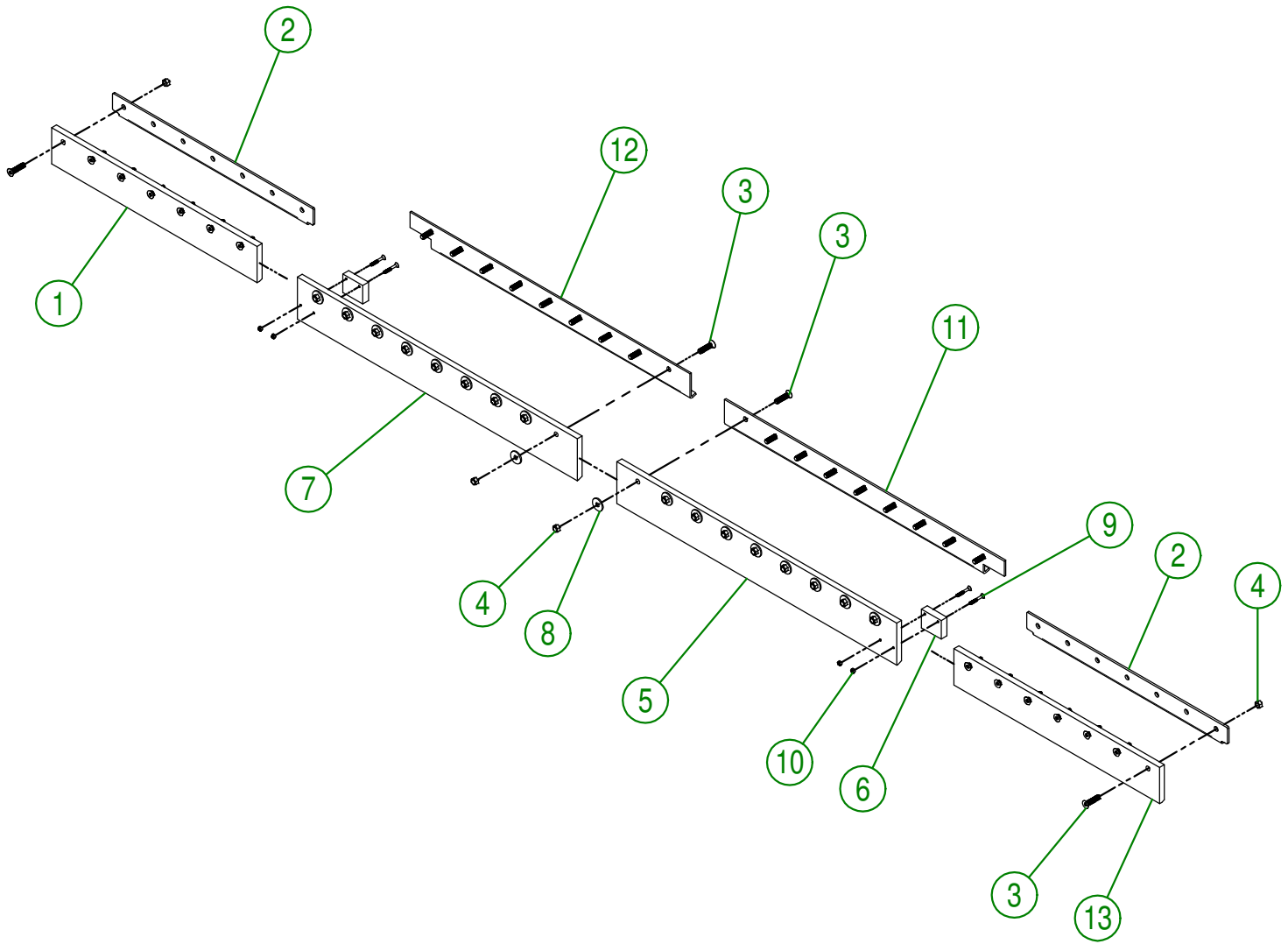
AGRIMETAL	
QT KNIFE GROUP	
CREATION : 29/12/17	ASSEMBLY : 91-57-0200
REVISION : 29/12/17	AUTHOR : Production Page 1 de 11

#	PART #	Qty	TITLE
1	91-42-0146	1	OUTSIDE KNIFE LEFT (UHMW)
2	91-04-0245	2	KNIFE BRACE
3	NC02-48-0549	14	STAINLESS FLAT HEAD SOCKET CAP SCREW 1/2-13 X 2 1/4"
4	NC01-96-0014	32	NYLON-INSERT LOCKNUT ZINC 1/2-13
5	91-42-0132	1	RIGHT CENTER KNIFE (UHMW)
6	91-42-0120	2	SNOW GUARD
7	91-42-0130	1	LEFT CENTER KNIFE (UHMW)
8	NC02-48-0550	18	FLAT HEAD SOCKET CAP SCREW STAINLESS 1/2-13 X 2 1/2"
9	91-20-0150	18	WASHER
10	NC02-48-0582	4	FLAT HEAD SOCKET CAP SCREW STAINLESS 1/4-20 X 2"
11	NC01-96-0009	4	NYLON-INSERT LOCKNUT ZINC 1/4-20
12	91-04-0241	1	KNIFE BRACE (RIGHT)
13	91-04-0244	1	KNIFE BRACE (LEFT)
14	91-42-0148	1	OUTSIDE KNIFE RIGHT (UHMW)

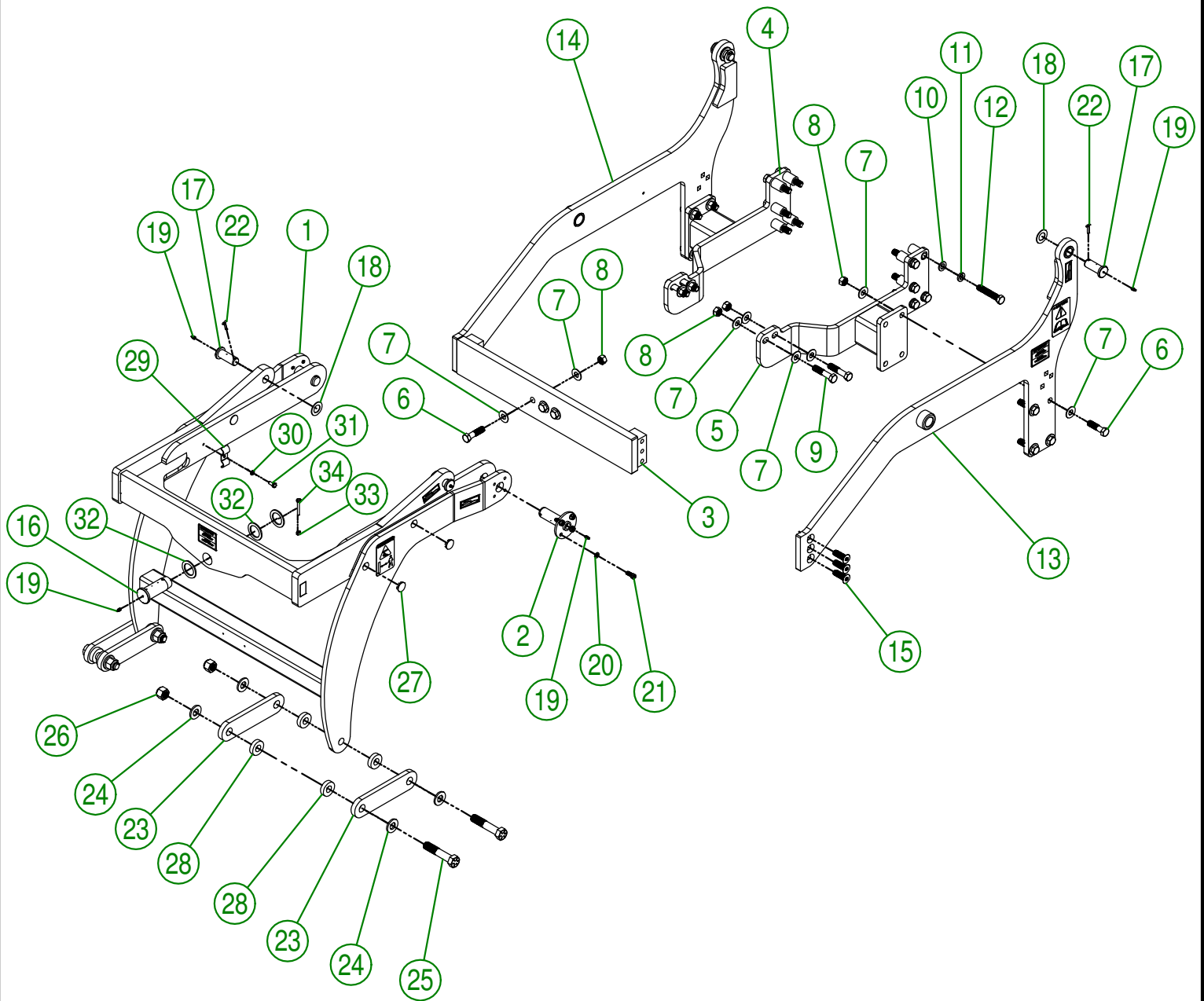


AGRIMETAL	
UHMW KNIFE GROUP	
CREATION : 15/07/16	ASSEMBLY : 91-57-0205
REVISION : 09/11/18	AUTHOR : JA. H Page 2 de 11

#	PART #	Qty	TITLE
1	91-42-0013	1	RUBBER KNIFE (OUTSIDE LEFT)
2	91-04-0246	2	KNIFE BRACE (OUTSIDE)
3	NC02-48-0548	32	FLAT HEAD SOCKET CAP SCREW STAINLESS 1/2-13 X 2"
4	NC01-96-0014	32	NYLON-INSERT LOCKNUT ZINC 1/2-13
5	91-42-0003	1	RUBBER KNIFE (INSIDE RIGHT)
6	91-42-0122	2	SNOW GUARD
7	91-42-0000	1	RUBBER KNIFE (INSIDE LEFT)
8	91-20-0150	18	WASHER
9	NC02-48-0582	4	FLAT HEAD SOCKET CAP SCREW STAINLESS 1/4-20 X 2"
10	NC01-96-0009	4	NYLON-INSERT LOCKNUT ZINC 1/4-20
11	91-04-0241	1	KNIFE BRACE (RIGHT)
12	91-04-0244	1	KNIFE BRACE (LEFT)
13	91-42-0010	1	RUBBER KNIFE (OUTSIDE RIGHT)



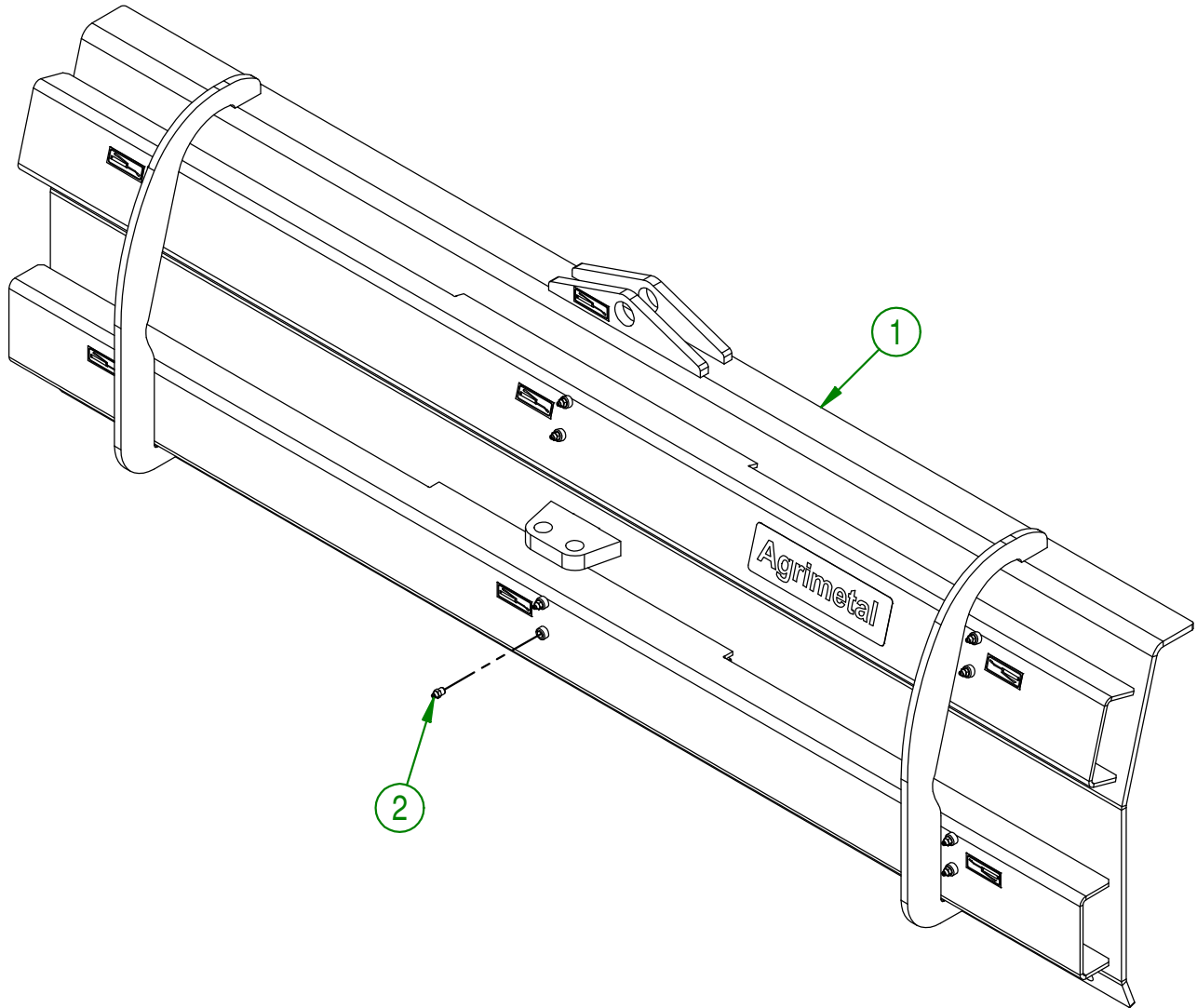
AGRIMETAL	
RUBBER KNIFE GROUP	
CREATION : 10/05/17	ASSEMBLY : 91-57-0195
REVISION : 24/07/18	AUTHOR : J. Houle Page 3 de 11



AGRIMETAL	
SUBFRAME GROUP	
CREATION : 15/09/16	ASSEMBLY : 91-57-0230
REVISION : 08/02/19	AUTHOR : J.A.H. Page 4 de 11

#	PART #	Qty	TITLE
1	91-57-0225	1	MOBILE SUBFRAME GROUP
2	91-50-0030	2	SUBFRAME PIVOT
3	91-50-0075	1	FRONT BUMPER PLATE
4	91-50-0085	1	SUBFRAME REINFORCEMENT SPACER RIGHT
5	91-50-0080	1	SUBFRAME REINFORCEMENT SPACER LEFT
6	NC01-54-0400	11	STAINLESS BOLT 5/8-18- X 2 1/2"
7	NC02-26-0100	30	WASHER STAINLESS 0.688 ID X 1.5 OD
8	NC01-94-0100	15	STAINLESS DISTORTED THREAD LOCKNUT
9	NC01-54-0405	4	STAINLESS BOLT 5/8-18- X 3"
10	NC02-26-0105	10	STAINLESS WASHER M16
11	NC02-32-0105	10	STAINLESS LOCK WASHER M16
12	NC01-51-0003	10	STAINLESS BOLT M16 X 2 X 90MM
13	91-57-0160	1	LEFT SUBFRAME GROUP
14	91-57-0165	1	RIGHT SUBFRAME GROUP
15	NC02-48-0562	6	FLAT HEAD SOCKET CAP SCREW STAINLESS 5/8-11 X 1 1/2"
16	91-13-2800	1	CENTER PIVOT SHAFT
17	91-20-0210	4	CYLINDER PIVOT
18	91-22-2200	4	FLAT WASHER HYDRAULIC CYLINDER
19	NC01-69-0785	7	STRAIGHT GREASE FITTING 1/4-28
20	NC02-32-0012	8	LOCK WASHER ZINC 3/8"
21	NC01-37-0114	8	BOLT GR8 3/8" X 1"
22	NC01-69-0159	4	COTTER PIN ZINC 3/16 X 1 1/2"
23	91-04-1420	4	BLADE CONNECTOR
24	NC17-57-0052	8	FLAT WASHER
25	NC01-33-0506	4	CAP SCREW GR8 NC ZINC 7/8-9 X 4 1/2" LG
26	NC01-96-0018	4	NYLON INSERT NUT 7/8-9
27	NC13-80-0273	8	BLACK CAP 1" DIA
28	NC13-15-0319	8	RUBBER WASHER
29	91-01-0020	1	HYDRAULIC HOSE PROTECTOR
30	NC02-32-0011	1	LOCK WASHER ZINC 5/16"
31	NC01-17-0058	1	HEX. BOLT GR2 ZINC 5/16-18 X 3/4"
32	92-01-0005	3	WASHER 2 1/4" DIA. X 1 9/16"
33	NC01-93-0001	1	HEX. NUT NC ZINC 1/4-20
34	NC01-17-0010	1	HEX. BOLT GR2 NC ZINC 1/4-20 X 2"

#	PART #	Qty	TITLE
1	91-57-0130	1	CENTER BLADE KNIFE GROUP. MAX PRO 7-12 STICKER INCLUDED
2	NC01-69-0791	12	GREASE FITTING 1/8 NPT STRAIGHT

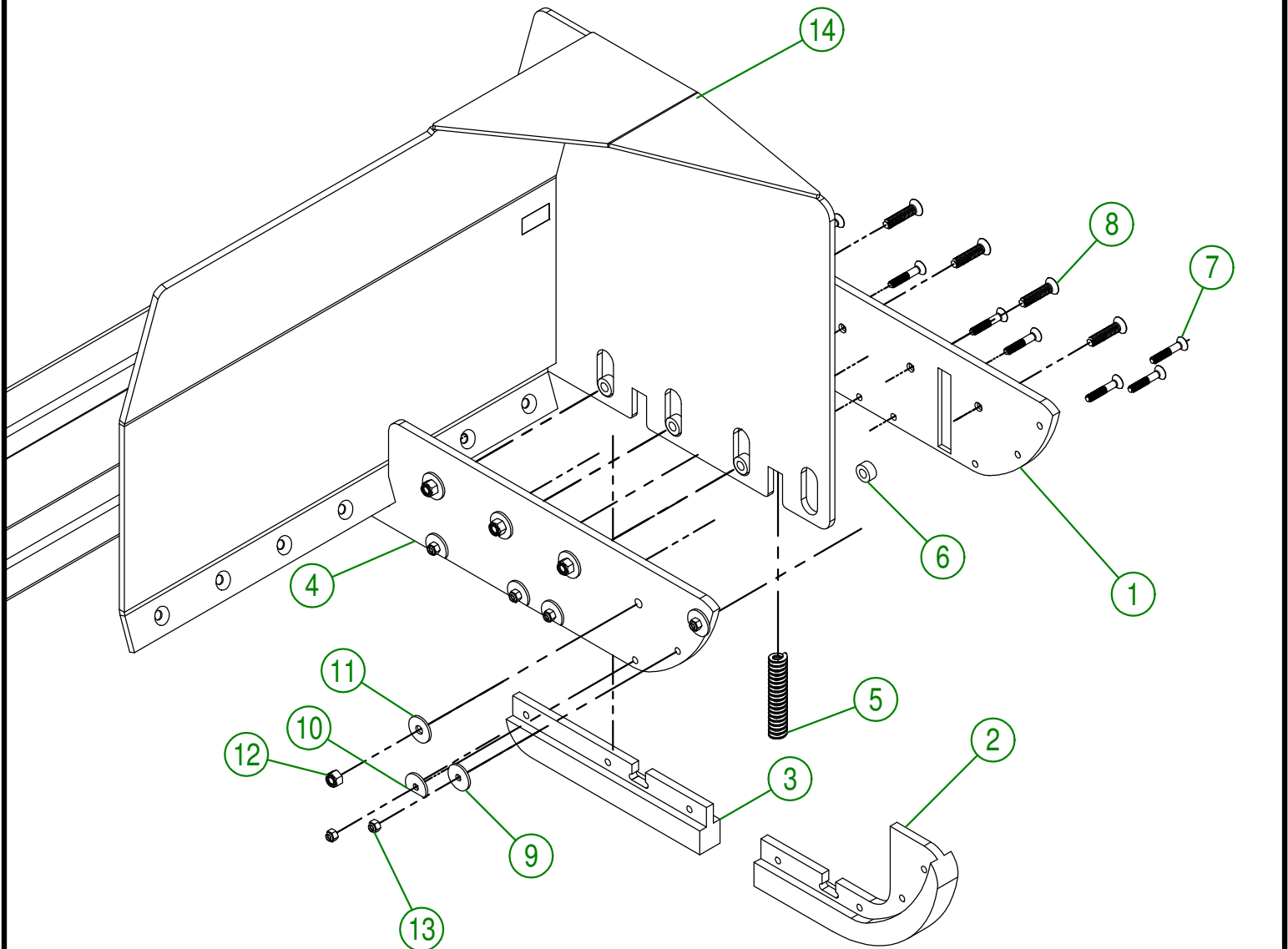


AGRIMETAL
CENTRAL BLADE

CREATION : 29/12/17
REVISION : 29/12/17

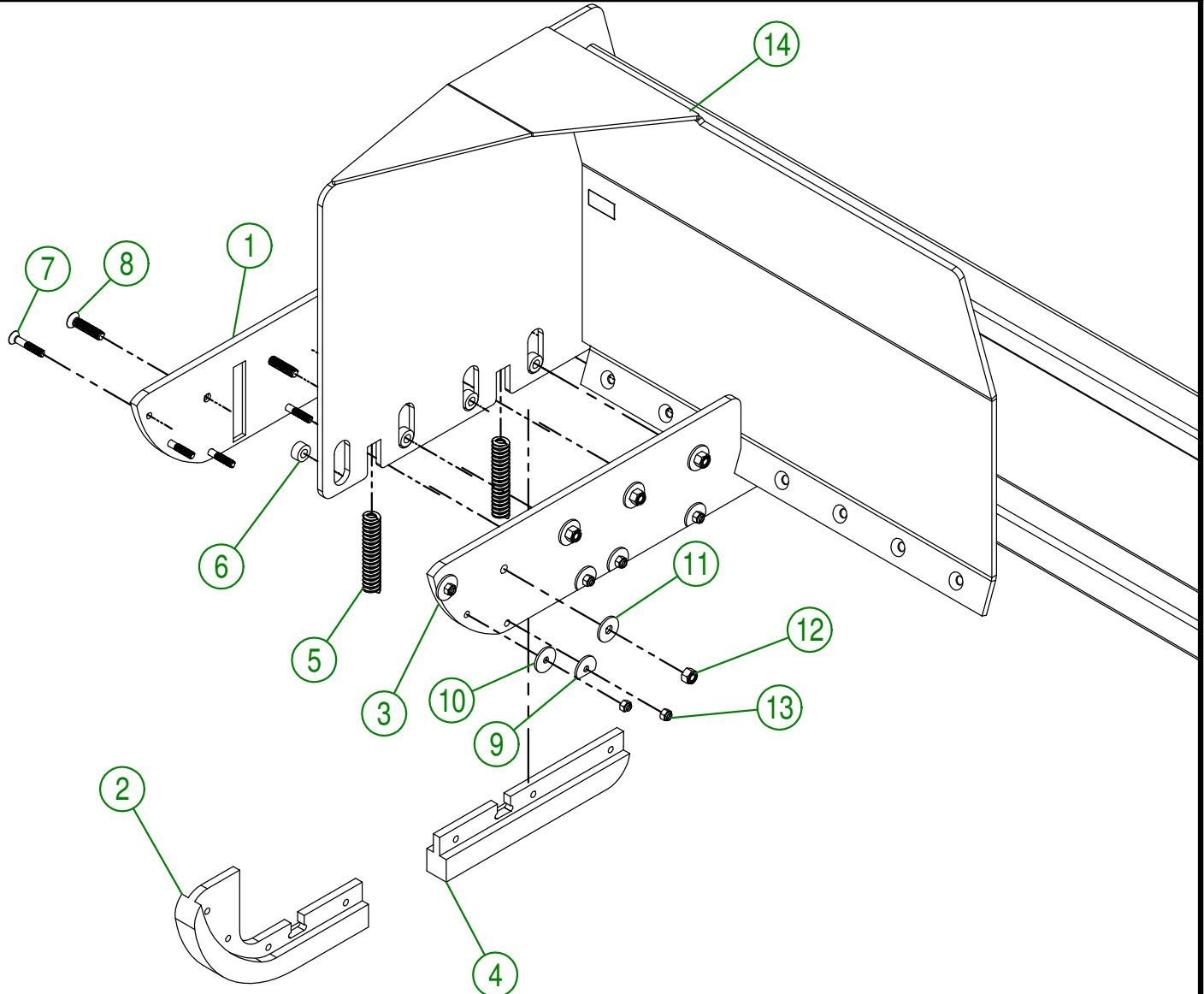
ASSEMBLY : **91-57-0040**
AUTHOR : J.KABWE

#	PART #	Qty	TITLE
1	91-42-0144	1	FLOATING SKATE (RIGHT OUTSIDE)
2	NC13-15-0325	1	FLOATING SKATE (MIDDLE FRONT)
3	NC13-15-0323	1	FLOATING SKATE (MIDDLE BACK)
4	91-42-0142	1	FLOATING SKATE (RIGHT INSIDE)
5	NC13-86-0052	2	SPRING 1/2" ID X 1" OD X 5" LG
6	91-09-0000	4	BUSHING
7	NC02-48-0537	7	STAINLESS FLAT HEAD SOCKET CAP SCREW 3/8-16 X 2 1/4"
8	NC02-48-0549	4	STAINLESS FLAT HEAD SOCKET CAP SCREW 1/2-13 X 2 1/4"
9	91-20-0163	2	WASHER
10	91-20-0160	5	WASHER
11	91-20-0150	4	WASHER
12	NC01-96-0014	4	NYLON INSERT LOCKNUT 1/2-13"
13	NC01-96-0011	7	NYLON NUT 3/8-16
14	91-57-0140	1	RIGHT BLADE



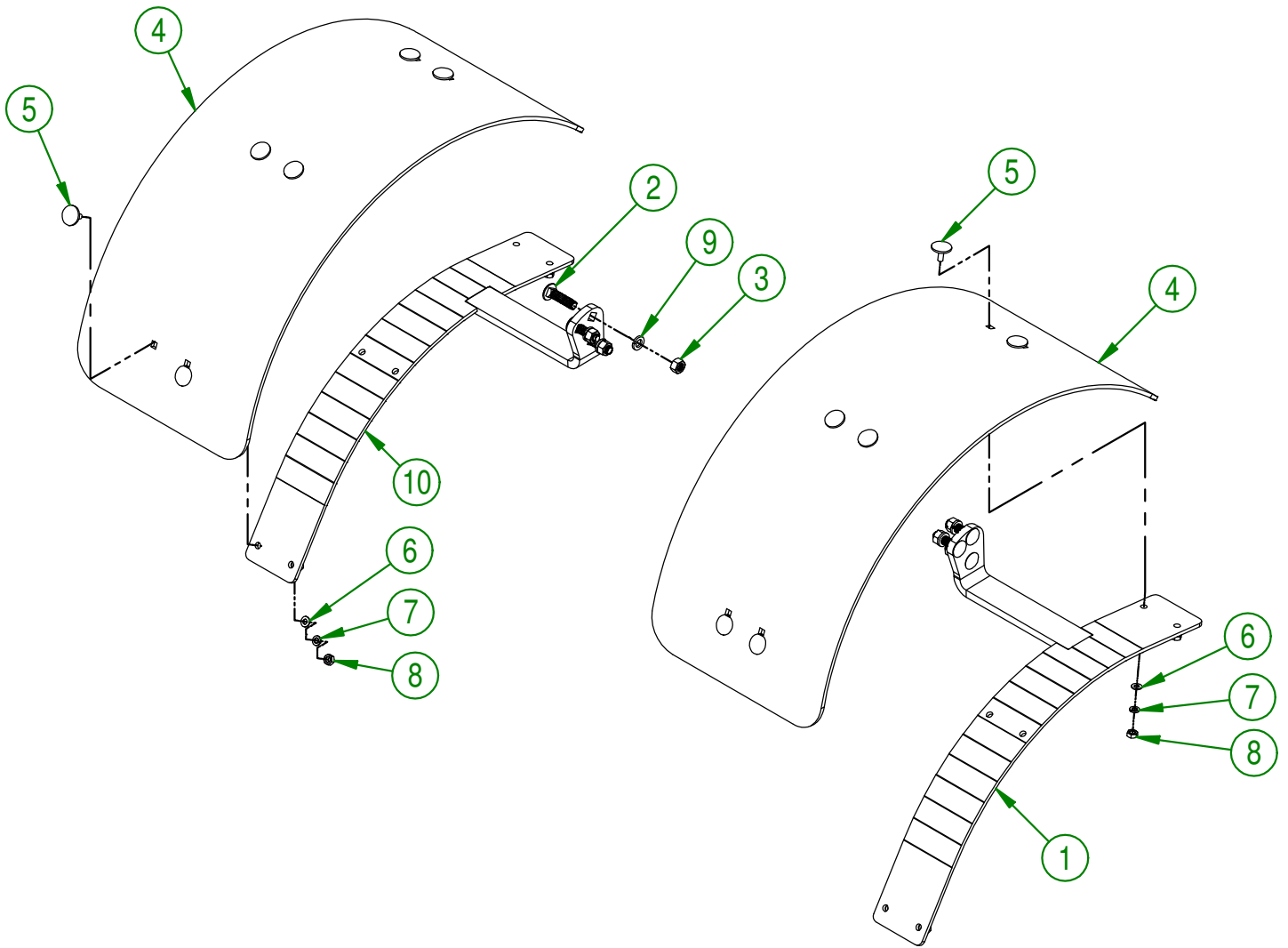
AGRIMETAL	
RIGHT BLADE	
CREATION : 15/07/16	ASSEMBLY : 91-57-0045
REVISION : 15/11/18	AUTHOR : JA. H Page 7 de 11

#	PART #	Qty	TITLE
1	91-42-0140	1	FLOATING SKATE (LEFT EXT.)
2	NC13-15-0325	1	FLOATING SKATE (MIDDLE FRONT)
3	91-42-0136	1	FLOATING SKATE (LEFT INT.)
4	NC13-15-0323	1	FLOATING SKATE (MIDDLE BACK)
5	NC13-86-0052	2	SPRING 1/2" ID X 1" OD X 5" LG
6	91-09-0000	4	BUSHING
7	NC02-48-0537	7	STAINLESS FLAT HEAD SOCKET CAP SCREW 3/8-16 X 2 1/4"
8	NC02-48-0549	4	STAINLESS FLAT HEAD SOCKET CAP SCREW 1/2-13 X 2 1/4"
9	91-20-0160	5	WASHER
10	91-20-0163	2	WASHER
11	91-20-0150	4	WASHER
12	NC01-96-0014	4	NYLON INSERT LOCKNUT 1/2-13"
13	NC01-96-0011	7	NYLON NUT 3/8-16
14	91-57-0135	1	LEFT BLADE



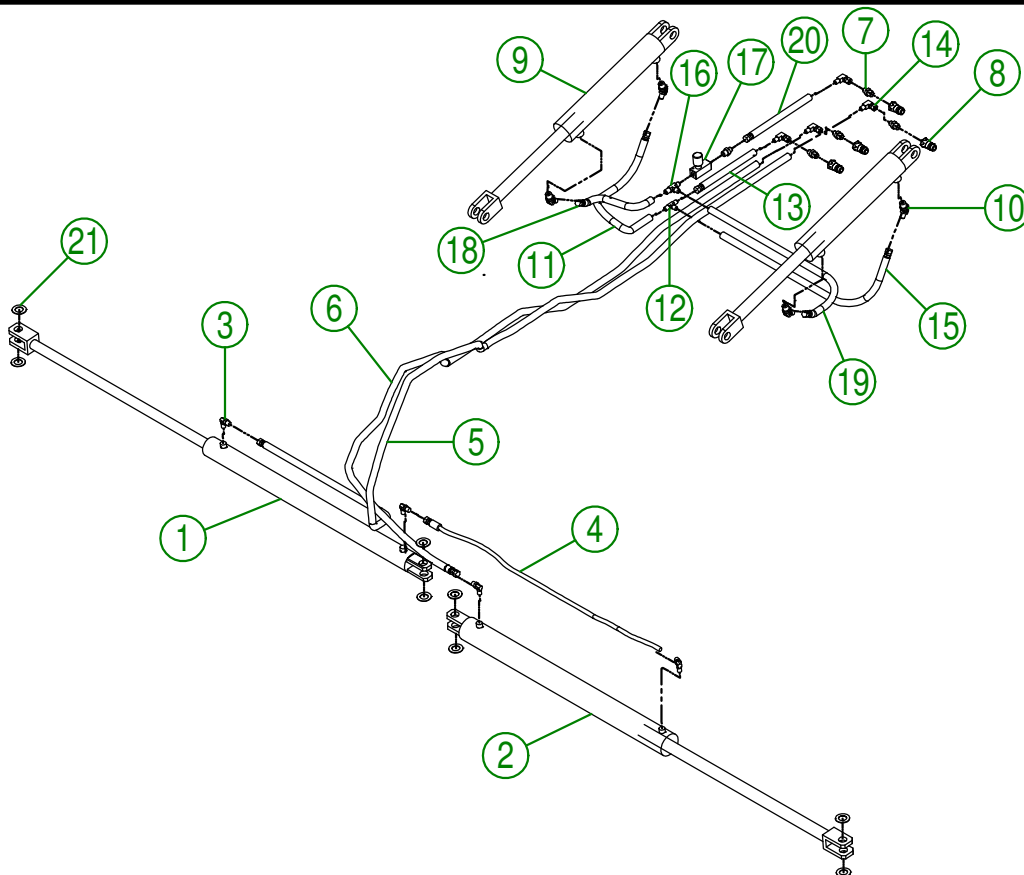
AGRIMETAL	
LEFT BLADE	
CREATION : 15/07/16	ASSEMBLY : 91-57-0050
REVISION : 15/11/18	AUTHOR : JA. H Page 8 de 11

#	PART #	Qty	TITLE
1	91-50-0065	1	LEFT MUD GUARD BRACKET
2	NC01-54-0200	6	CARR. BOLT STAINLESS 1/2-13 X 2"
3	NC02-14-0100	6	HEX NUT STAINLESS 1/2-13
4	91-42-0155	2	MUD GUARD
5	NC01-13-0062	12	ELEVATOR STAINLESS BOLT 5/16-18 X 1"
6	NC02-22-0008	12	WASHER ZINC 5/16"
7	NC02-32-0011	12	LOCK WASHER ZINC 5/16"
8	NC02-07-0017	12	HEX. NUT 5/16-18
9	NC02-32-0100	6	LOCK WASHER STAINLESS 1/2"
10	91-50-0060	1	RIGHT MUDE GUARD BRACKET



AGRIMETAL	
MUD GUARD GROUP	
CREATION : 09/08/16	ASSEMBLY : 91-57-0210
REVISION : 28/12/17	AUTHOR : Production Page 9 de 11

#	PART #	Qty	TITLE
1	NCI3-45-0240	1	HYDRAULIC CYLINDER 2" X 30" STROKE
2	NCI3-45-0239	1	HYDRAULIC CYLINDER 2 1/2" X 30" STROKE
3	NCI3-45-0254	4	90 DEG ELBOW 9/16"-18 MALE SAE6 O RING X 3/8" MALE JIC
4	NCI7-02-0353	1	HYDRAULIC HOSE 39 3/4"
5	NCI7-02-0402	1	HYDRAULIC HOSE 113"
6	NCI7-02-0401	1	HYDRAULIC HOSE 111"
7	NCI3-45-0288	5	STRAIGHT FITTING 1/2" MALE JIC X 3/8" MALE NPT
8	NCI3-45-0285	4	QUICK COUPLER 3/8 NPTF
9	NCI3-45-0257	2	HYDRAULIC CYLINDER 2 1/2" X 12" STROKE
10	NCI3-45-0290	4	45 DEG ELBOW
11	NCI7-02-0381	1	HYDRAULIC HOSE 21 1/4"
12	NCI3-45-0289	1	T 3/8 MALE JIC X 3/8 MALE JIC X 3/8 MALE JIC
13	NCI7-02-0379	1	HYDRAULIC HOSE 15"
14	NCI3-45-0173	4	90 DEG ELBOW
15	NCI7-02-0392	1	HYDRAULIC HOSE 46"
16	NCI3-45-0244	1	TEE FITTING 3/8" MALE NPT X 3/8" MALE JIC X 3/8" MAL JIC
17	NCI3-45-0241	1	FLOW CONTROLE 3/8" NPT FEMALE
18	NCI7-02-0378	1	HYDRAULIC HOSE 10 1/2"
19	NCI7-02-0382	1	HYDRAULIC HOSE 57"
20	NCI7-02-0380	1	HYDRAULIC HOSE 20 3/4"
21	91-22-2200	8	FLAT WASHER HYDRAULIC CYLINDER



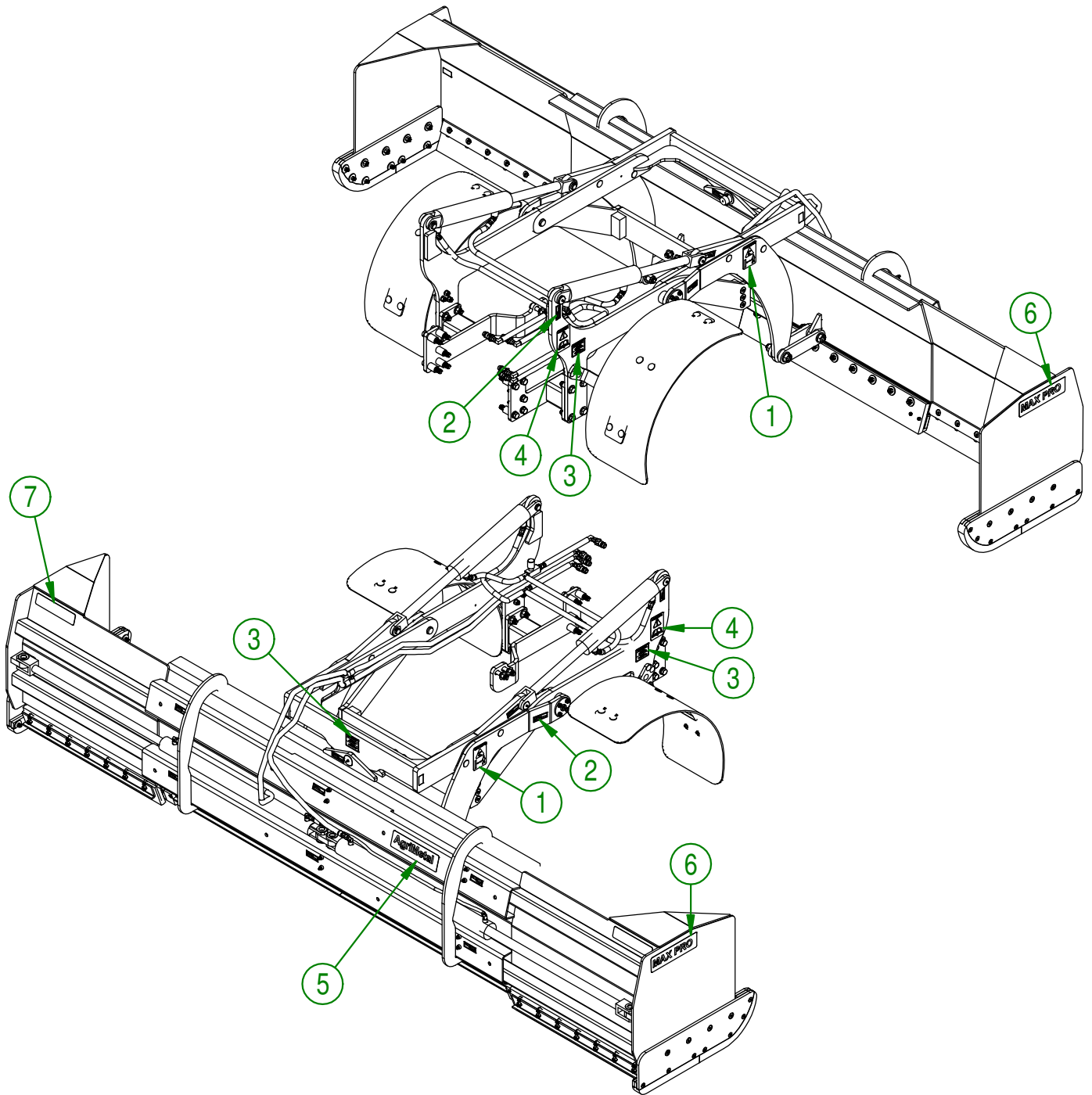
AGRIMETAL
HYDRAULIC GROUP

CREATION : 12/01/18
 REVISION : 08/02/19

ASSEMBLY : **91-57-0440**

AUTHOR : J.KABWE | Page 10 de 11

#	PART #	Qty	TITLE
1	NC13-33-0268	2	STICKER WARNING
2	NC13-33-0024	14	STICKER GREASE HERE
3	NC13-33-0319	3	STICKER IMPORTANT GREASE EVERY 5 HOURS
4	NC13-33-0183	2	STICKER CAUTION OPERATION MANUAL
5	NC13-33-0035	1	STICKER AGRIMETAL
6	NC13-33-0265	2	STICKER MAX PRO
7	28-60-0050	2	STICKER SCOTCHLITE



AGRIMETAL	
MAX PRO 7-12 (CASE 55C CVT)	
CREATION : 12/01/18	ASSEMBLY : 91-99-1100
REVISION : 08/02/19	AUTHOR : J.KABWE Page 11 de 11