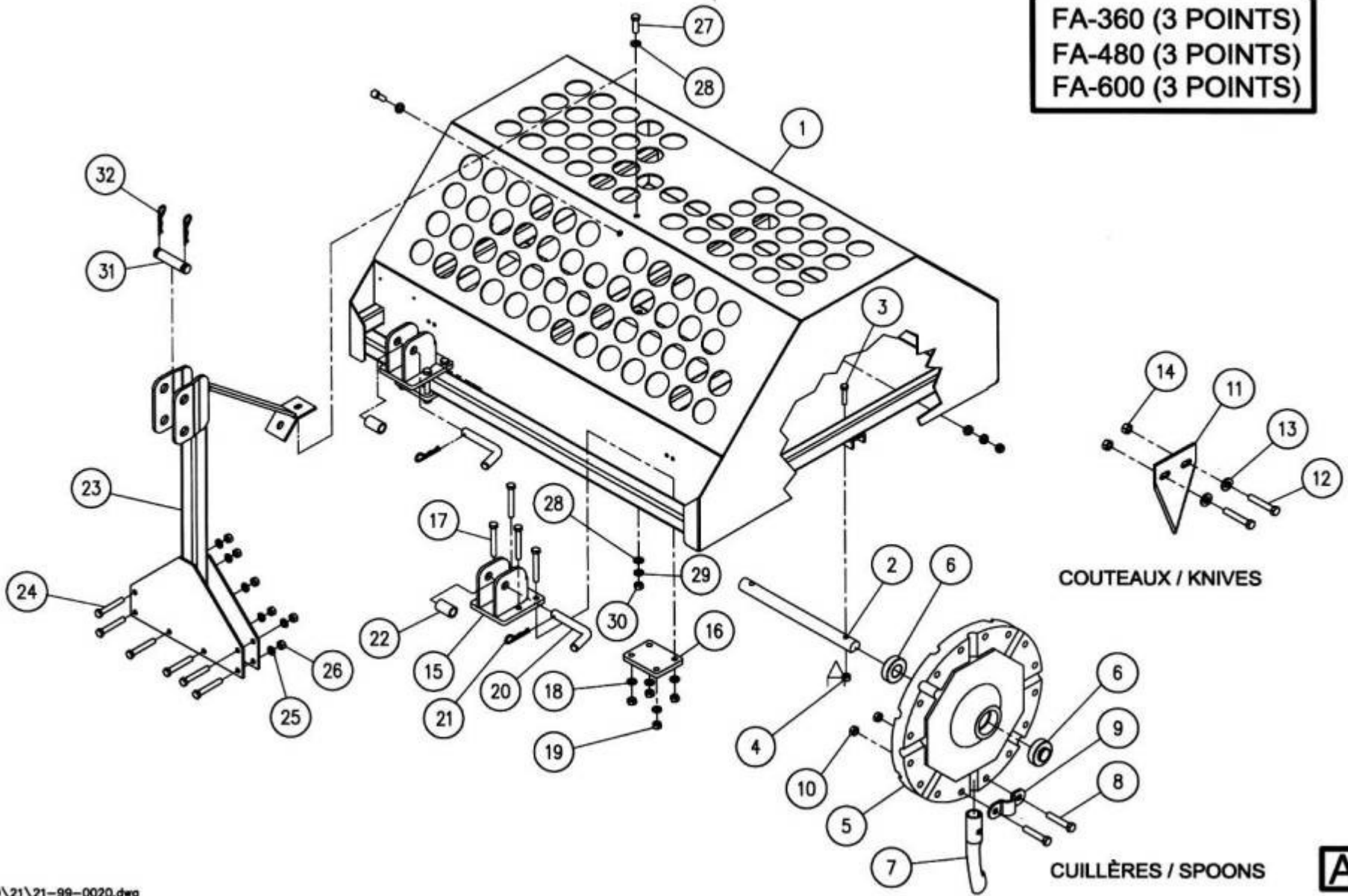


FA-360 (3 POINTS)
 FA-480 (3 POINTS)
 FA-600 (3 POINTS)



TURF AERATOR MOD: F.A.360,480,600. T.P.

REF.	PART NO.	DESCRIPTION	QTE
1	21-55-1000	BODY (FA 360) "STICKER INCLUDED"	1
N/I	21-55-2000	BODY (FA 480) "STICKER INCLUDED"	1
N/I	21-55-3000	BODY (FA 600) "STICKER INCLUDED"	1
2	21-20-0105	CAST IRON WHEEL AXLE (FA 360)	3
N/I	21-20-0105	CAST IRON WHEEL AXLE (FA 480)	4
N/I	21-20-0105	CAST IRON WHEEL AXLE (FA 600)	5
3	NC01-29-0116	HEX. BOLT (GRADE 5) 3/8"-24 X 1 1/2" LG (FA 360)	6
N/I	NC01-29-0116	HEX. BOLT (GRADE 5) 3/8"-24 X 1 1/2" LG (FA 480)	8
N/I	NC01-29-0116	HEX. BOLT (GRADE 5) 3/8"-24 X 1 1/2" LG (FA 600)	10
4	NC01-94-0011	LOCKNUTS 3/8"-24 (FA 360)	6
N/I	NC01-94-0011	LOCKNUTS 3/8"-24 (FA 480)	8
N/I	NC01-94-0011	LOCKNUTS 3/8"-24 (FA 600)	10
5	NC13-20-0022	CAST IRON WHEEL (FA 360)	6
N/I	NC13-20-0022	CAST IRON WHEEL (FA 480)	8
N/I	NC13-20-0022	CAST IRON WHEEL (FA 600)	10
6	21-38-0135	BALL BEARING SCA 205-16 Ø 1" (FA 360)	12
N/I	21-38-0135	BALL BEARING SCA 205-16 Ø 1" (FA 480)	16
N/I	21-38-0135	BALL BEARING SCA 205-16 Ø 1" (FA 600)	20
7	NC13-20-0007	CORING TINE, 3/4" CLOSED (FA 360)	48
N/I	NC13-20-0007	CORING TINE, 3/4" CLOSED (FA 480)	64
N/I	NC13-20-0007	CORING TINE, 3/4" CLOSED (FA 600)	80
8	NC01-29-0185	HEX.BOLTS (GRADE 5) 7/16"-20 X 2 1/4" LG (FA 360)	96
N/I	NC01-29-0185	HEX.BOLTS (GRADE 5) 7/16"-20 X 2 1/4" LG (FA 480)	128
N/I	NC01-29-0185	HEX.BOLTS (GRADE 5) 7/16"-20 X 2 1/4" LG (FA 600)	160
9	21-04-0040	SPOON'S HOLDER (FA 360)	48
N/I	21-04-0040	SPOON'S HOLDER (FA 480)	64
N/I	21-04-0040	SPOON'S HOLDER (FA 600)	80
10	NC01-94-0012	LOCKNUTS 7/16"-20 (FA 360)	96
N/I	NC01-94-0012	LOCKNUTS 7/16"-20 (FA 480)	128
N/I	NC01-94-0012	LOCKNUTS 7/16"-20 (FA 600)	160
11	NC13-20-0009	SLICING BLADE (FA 360)	48
N/I	NC13-20-0009	SLICING BLADE (FA 480)	64
N/I	NC13-20-0009	SLICING BLADE (FA 600)	80
12	NC01-29-0187	HEX.BOLT (GRADE 5) 7/16"-20 X 2 1/2" LG (FA 360)	96
N/I	NC01-29-0187	HEX.BOLT (GRADE 5) 7/16"-20 X 2 1/2" LG (FA 480)	128
N/I	NC01-29-0187	HEX.BOLT (GRADE 5) 7/16"-20 X 2 1/2" LG (FA 600)	160
13	01-01-0925	FLAT WASHER 1 1/64" Dia. X Ø 33/64" X 10GA (FA 360)	96
N/I	01-01-0925	FLAT WASHER 1 1/64" Dia. X Ø 33/64" X 10GA (FA 480)	128
N/I	01-01-0925	FLAT WASHER 1 1/64" Dia. X Ø 33/64" X 10GA (FA 600)	160
14	NC01-94-0012	LOCKNUTS 7/16"-20 (FA 360)	96
N/I	NC01-94-0012	LOCKNUTS 7/16"-20 (FA 480)	128
N/I	NC01-94-0012	LOCKNUTS 7/16"-20 (FA 600)	160
15	21-50-1010	3 POINT HITCH ANCHER (FA-600,480,360)	2
16	21-04-0605	SQUEEZE PLATE	2
17	NC01-29-0121	HEX.BOLTS (GRADE 5) 3/8"-24 X 2 3/4" LG	8
18	NC02-32-0012	LOCK WASHER Ø 3/8"	8
19	NC02-10-0018	HEX.NUT 3/8"-24	8
20	21-13-0800	LOCK PIN	2
21	NC01-63-0015	HITCH PIN CLIPS 1/8" X 2 5/8" LG	2
22	21-09-2200	BUSHING	2
23	21-50-1025	FIXE 3 POINT	1
24	NC01-29-0120	HEX.BOLTS (GRADE 5) 3/8"-24 X 2 1/2" LG	6
25	NC02-32-0012	LOCK WASHER Ø 3/8"	6
26	NC02-10-0018	HEX.NUT 3/8"-24	6
27	NC01-29-0116	HEX. BOLT (GRADE 5) 3/8"-24 X 1 1/2" LG	2
28	21-01-0950	FLAT WASHER 1.005" Dia. X Ø 25/64"	4

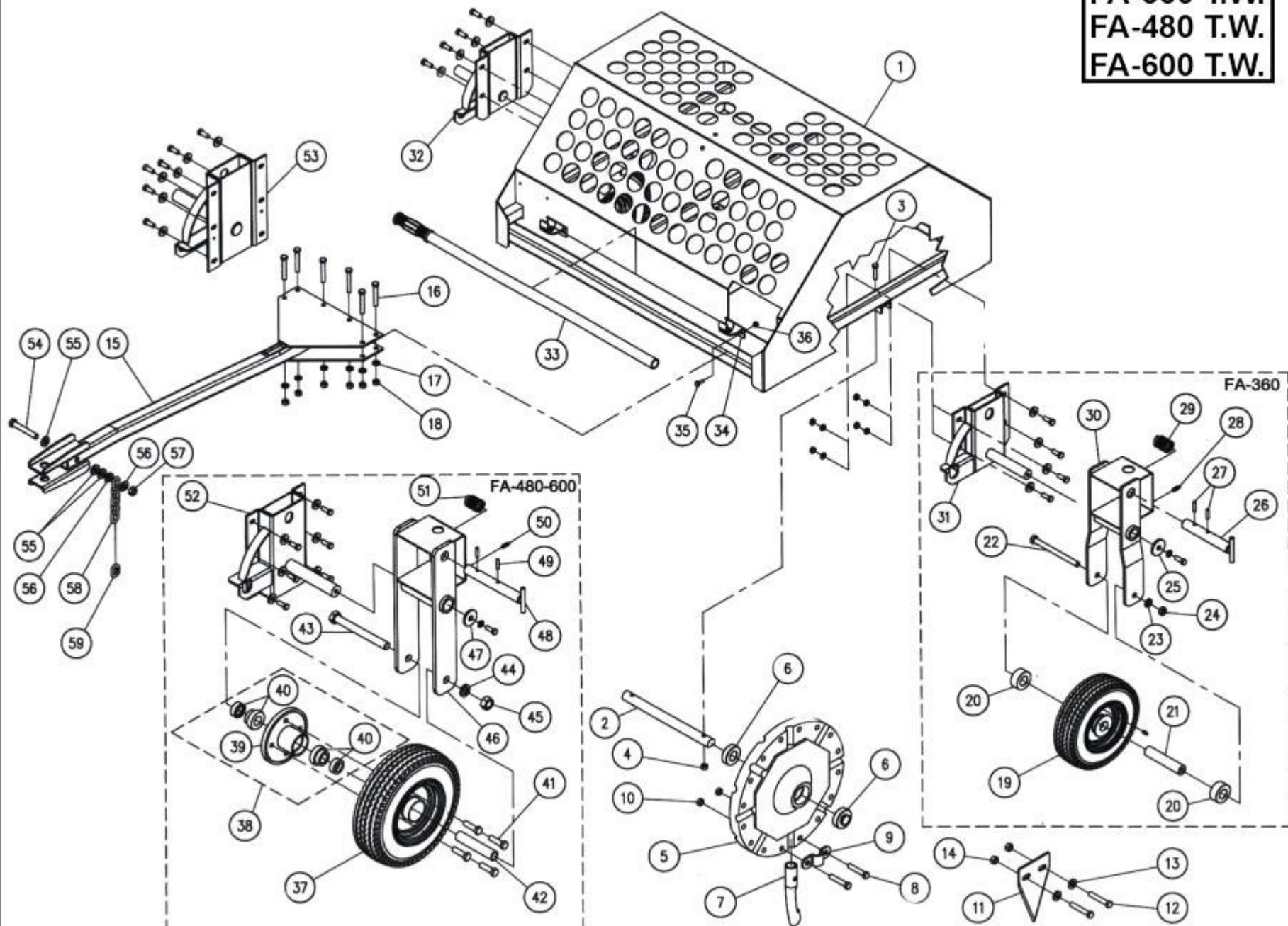
TURF AERATOR MOD: F.A.360,480,600. T.P.

REF.	PART NO.	DESCRIPTION	QTE
29	NC02-32-0012	LOCK WASHER Ø 3/8"	2
30	NC02-10-0018	HEX.NUT 3/8"-24	2
31	21-13-1000	PIN	1
32	NC01-63-0015	HITCH PIN CLIPS 1/8" X 2 5/8" LG	2

STICKER MOD: F.A.360.480,600. T.P.

REF.	PART NO.	DESCRIPTION	QTE
N/I	21-58-0020	STICKER KIT (F.A.360.480.600 T.P.)	1
N/I	06-60-0000	STICKER AGRIMÉTAL INC "MEDIUM"	2
N/I	01-60-0000	STICKER AGRIMÉTAL INC "LARGE"	1
N/I	NC13-33-0117	STICKER CAUTION / ATTENTION READ OPERATOR'S MANUEL BEFORE STARTING.	1
N/I	NC13-33-0118	STICKER WARNING / AVERTISSEMENT FALLING HAZARD NO RIDERS ...	2

**FA-360 T.W.
FA-480 T.W.
FA-600 T.W.**



CUILLÈRES / SPOONS

COUTEAUX / KNIVES

TURF AERATOR MOD: F.A.360.480,600. T.W.

REF.	PART NO.	DESCRIPTION	QTE
1	21-55-1000	BODY (FA 360) "STICKER INCLUDED"	1
N/I	21-55-2000	BODY (FA 480) "STICKER INCLUDED"	1
N/I	21-55-3000	BODY (FA 600) "STICKER INCLUDED"	1
2	21-20-0105	CAST IRON WHEEL AXLE (FA 360)	3
N/I	21-20-0105	CAST IRON WHEEL AXLE (FA 480)	4
N/I	21-20-0105	CAST IRON WHEEL AXLE (FA 600)	5
3	NC01-29-0116	HEX. BOLT (GRADE 5) 3/8"-24 X 1 1/2" LG (FA 360)	6
N/I	NC01-29-0116	HEX. BOLT (GRADE 5) 3/8"-24 X 1 1/2" LG (FA 480)	8
N/I	NC01-29-0116	HEX. BOLT (GRADE 5) 3/8"-24 X 1 1/2" LG (FA 600)	10
4	NC01-94-0011	LOCKNUTS 3/8"-24 (FA 360)	6
N/I	NC01-94-0011	LOCKNUTS 3/8"-24 (FA 480)	8
N/I	NC01-94-0011	LOCKNUTS 3/8"-24 (FA 600)	10
5	NC13-20-0022	CAST IRON WHEEL (FA 360)	6
N/I	NC13-20-0022	CAST IRON WHEEL (FA 480)	8
N/I	NC13-20-0022	CAST IRON WHEEL (FA 600)	10
6	21-38-0135	BALL BEARING SCA 205-16 Ø 1" (FA 360)	12
N/I	21-38-0135	BALL BEARING SCA 205-16 Ø 1" (FA 480)	16
N/I	21-38-0135	BALL BEARING SCA 205-16 Ø 1" (FA 600)	20
7	NC13-20-0007	CORING TINE, 3/4" CLOSED (FA 360)	48
N/I	NC13-20-0007	CORING TINE, 3/4" CLOSED (FA 480)	64
N/I	NC13-20-0007	CORING TINE, 3/4" CLOSED (FA 600)	80
8	NC01-29-0185	HEX.BOLTS (GRADE 5) 7/16"-20 X 2 1/4" LG (FA 360)	96
N/I	NC01-29-0185	HEX.BOLTS (GRADE 5) 7/16"-20 X 2 1/4" LG (FA 480)	128
N/I	NC01-29-0185	HEX.BOLTS (GRADE 5) 7/16"-20 X 2 1/4" LG (FA 600)	160
9	21-04-0040	SPOON'S HOLDER (FA 360)	48
N/I	21-04-0040	SPOON'S HOLDER (FA 480)	64
N/I	21-04-0040	SPOON'S HOLDER (FA 600)	80
10	NC01-94-0012	LOCKNUTS 7/16"-20 (FA 360)	96
N/I	NC01-94-0012	LOCKNUTS 7/16"-20 (FA 480)	128
N/I	NC01-94-0012	LOCKNUTS 7/16"-20 (FA 600)	160
11	NC13-20-0009	SLICING BLADE (FA 360)	48
N/I	NC13-20-0009	SLICING BLADE (FA 480)	64
N/I	NC13-20-0009	SLICING BLADE (FA 600)	80
12	NC01-29-0187	HEX.BOLT (GRADE 5) 7/16"-20 X 2 1/2" LG (FA 360)	96
N/I	NC01-29-0187	HEX.BOLT (GRADE 5) 7/16"-20 X 2 1/2" LG (FA 480)	128
N/I	NC01-29-0187	HEX.BOLT (GRADE 5) 7/16"-20 X 2 1/2" LG (FA 600)	160
13	01-01-0925	FLAT WASHER 1 1/64" Dia. X Ø 33/64" X 10GA (FA 360)	96
N/I	01-01-0925	FLAT WASHER 1 1/64" Dia. X Ø 33/64" X 10GA (FA 480)	128
N/I	01-01-0925	FLAT WASHER 1 1/64" Dia. X Ø 33/64" X 10GA (FA 600)	160
14	NC01-94-0012	LOCKNUTS 7/16"-20 (FA 360)	96
N/I	NC01-94-0012	LOCKNUTS 7/16"-20 (FA 480)	128
N/I	NC01-94-0012	LOCKNUTS 7/16"-20 (FA 600)	160
15	21-50-1005	DRAW BAR	1
16	NC01-29-0120	HEX.BOLTS (GRADE 5) 3/8"-24 X 2 1/2" LG	6
17	NC02-32-0012	LOCK WASHER Ø 3/8"	6
18	NC02-10-0018	HEX.NUT 3/8"-24	6
19	NC14-70-0024	WHEEL 12 Dia. ASSY. (FA 360)	2
N/I	NC14-70-0047	TIRE (FA 360)	2
N/I	NC14-70-0037	RIM (FA 360)	2
N/I	NC14-70-0028	TUBE (FA 360)	2
N/I	NC14-70-0027	ROLLER BEARING (FA 360)	2
N/I	04-13-3400	SHOULDER BUSHING 2 3/8" Dia. X Ø 1 1/64" X 1/2" LG	4
N/I	NC01-69-0785	GREASE FITTING 1/4"-28 (STRAIGHT)	2
20	04-42-0135	AXLE BUSHING 2" Dia. X 7/8" LG (FA 360)	4
21	21-09-1210	WHEEL AXLE BUSHING (FA 360)	2
22	NC01-17-0267	HEX. BOLT GRADE 2 1/2"-13 X 6" LG (FA 360)	2

TURF AERATOR MOD: F.A.360.480,600. T.W.

REF.	PART NO.	DESCRIPTION	QTE
23	NC02-32-0014	LOCK WASHER Ø 1/2" (FA 360)	2
24	NC02-07-0020	HEX.NUT 1/2"-13 (FA 360)	2
25	01-33-0010	FLAT WASHER 1 1/2" Dia. X Ø 25/64" X 11GA	2
26	21-50-1035	LOCK PIN (FA 360)	2
27	NC01-69-0459	SPRING PIN 1/4" X 1 1/4" LG	4
28	NC01-69-0785	GREASE FITTING 1/4"-28 (STRAIGHT)	2
29	09-44-0020	SPRING 1" Dia. X 5" LG	2
30	21-55-1030	RETRACTABLE WHEEL HOLDER (STICKER INCLUDED) (FA 360)	2
31	21-50-1015	RETRACTABLE WHEEL FIXE (LEFT) (FA 360)	1
32	21-50-1020	RETRACTABLE WHEEL FIXE (LEFT) (FA 360)	1
33	21-55-1045	LIFTING BAR ASSY. (FA 360)	1
N/I	21-55-2045	LIFTING BAR ASSY. (FA 480)	1
N/I	21-55-3045	LIFTING BAR ASSY. (FA 600)	1
34	21-55-1085	HANDLE HOLDER ASSY.	2
35	NC01-37-0004	HEX.BOLT 1/4"-28 X 3/4" LG (GRADE 8)	4
36	NC01-97-0004	NYLON INSERT LOCKNUTS 1/4"-28	4
37	NC14-70-0061	ROAD TRACTION WHEEL 6 PLYES X 16" Dia. ASSY. (FA 480 & 600)	2
N/I	NC14-70-0064	ROAD TRACTION TIRE 6 PLYES (FA 480 & 600)	2
N/I	NC14-70-0056	RIM 851-1 (FA 480 & 600)	2
N/I	NC14-70-0045	TUBE 400-8 (FA 480 & 600)	2
38	21-55-2020	WHEEL HUB ASSY. (FA 480 & 600)	2
39	21-50-2000	HUB ONLY (FA 480 & 600)	2
40	NC14-75-0084	BALL BEARING SCA 205-16 Ø 1" (FA 480 & 600)	4
41	NC01-53-0248	WHEEL BOLT 1/2"-20 X 1 5/8" LG (GRADE 5) (FA 480 & 600)	8
42	21-09-1215	WHEEL AXLE BUSHING 0.990" X 3/4" X 5.000" LG (FA 480 & 600)	2
43	NC01-17-0483	HEX.BOLT 3/4"-10 X 7" LONG (GRADE 2) (FA 480 & 600)	2
44	NC02-32-0017	LOCK WASHER Ø 3/4" (FA 480 & 600)	2
45	NC02-07-0023	HEX.NUT 3/4"-10 (FA 480 & 600)	2
46	21-55-2030	RETRACTABLE WHEEL HOLDER (STICKER INCLUDED) (FA 480 & 600)	2
47	17-04-0046	FLAT WASHER 1 3/4" Dia. X Ø 33/64" X 3/16"	2
48	21-50-2035	LOCK PIN (FA 480 & 600)	2
49	NC01-69-0459	SPRING PIN 1/4" X 1 1/4" LG	4
50	NC01-69-0785	GREASE FITTING 1/4"-28 (STRAIGHT)	2
51	09-44-0020	SPRING 1" Dia. X 5" LG	2
52	21-50-2015	RETRACTABLE WHEEL FIXE (LEFT) (FA 480 & 600)	1
53	21-50-2020	RETRACTABLE WHEEL FIXE (RIGHT) (FA 480 & 600)	1
54	NC01-29-0256	HEX.BOLT 1/2"-20 X 3 1/4" LG (GRADE 5)	1
55	01-01-0925	FLAT WASHER 1 1/64" Dia. X Ø 33/64" X 10GA	3
56	21-01-0935	FLAT WASHER 1 1/64" Dia. X Ø 33/64" (SPECIAL)	2
57	NC01-97-0008	NYLON INSERT LOCKNUTS 1/2"-20	1
58	21-41-0000	SAFETY CHAIN	1
59	NC01-75-0015	RAPID LINK 5/16"	1

STICKER MOD: F.A.360.480,600. T.W.

REF.	PART NO.	DESCRIPTION	QTE
N/I	21-58-0015	STICKER KIT (F.A.360.480.600 T.W.)	1
N/I	06-60-0000	STICKER AGRIMÉTAL INC "MEDIUM"	2
N/I	01-60-0000	STICKER AGRIMÉTAL INC "LARGE"	1
N/I	03-60-0005	STICKER GREASE GUN	4
N/I	NC13-33-0117	STICKER CAUTION / ATTENTION READ OPERATOR'S MANUEL BEFORE STARTING.	1
N/I	NC13-33-0118	STICKER WARNING / AVERTISSEMENT FALLING HAZARD NO RIDERS ...	2