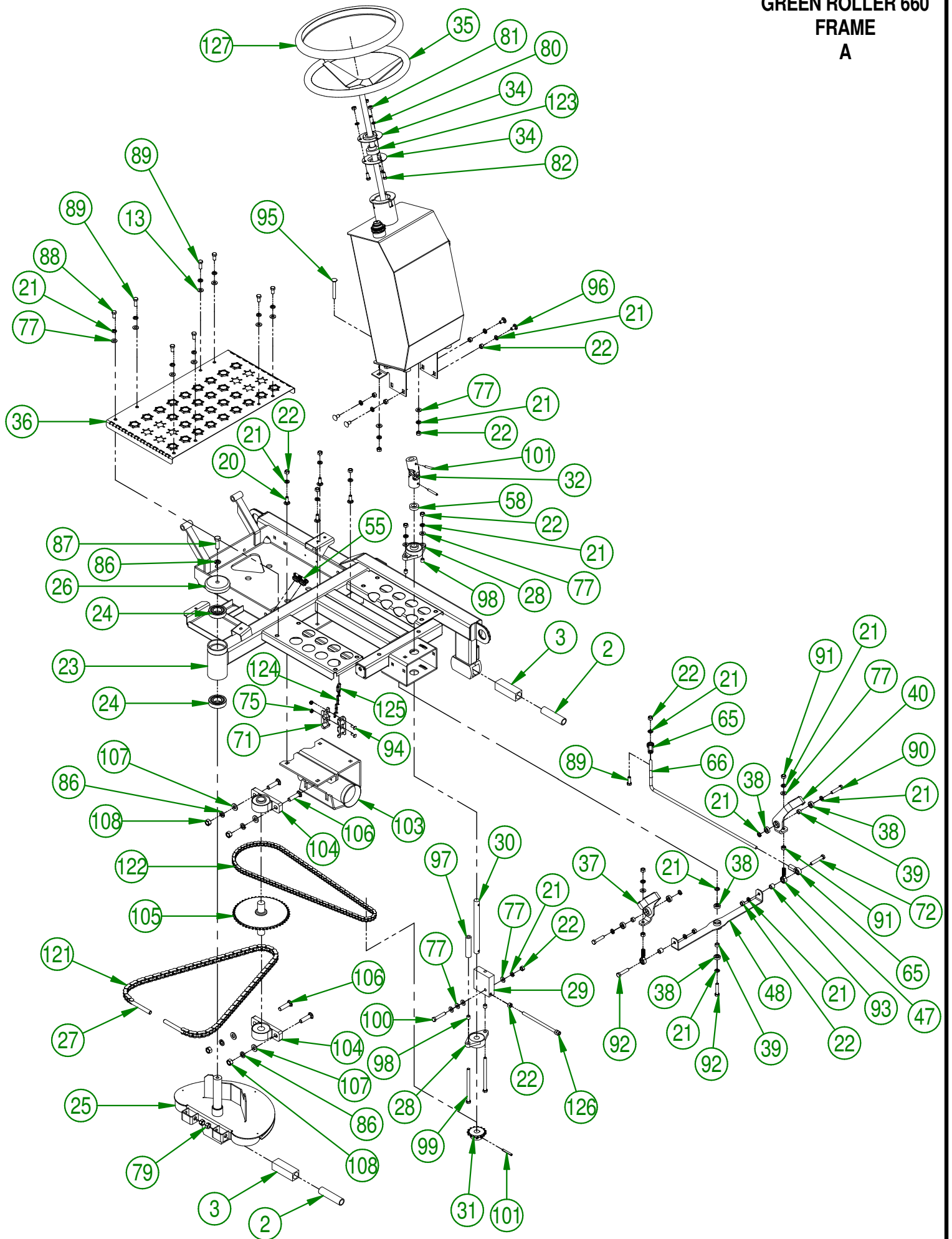


GREEN ROLLER 660

FRAME

A



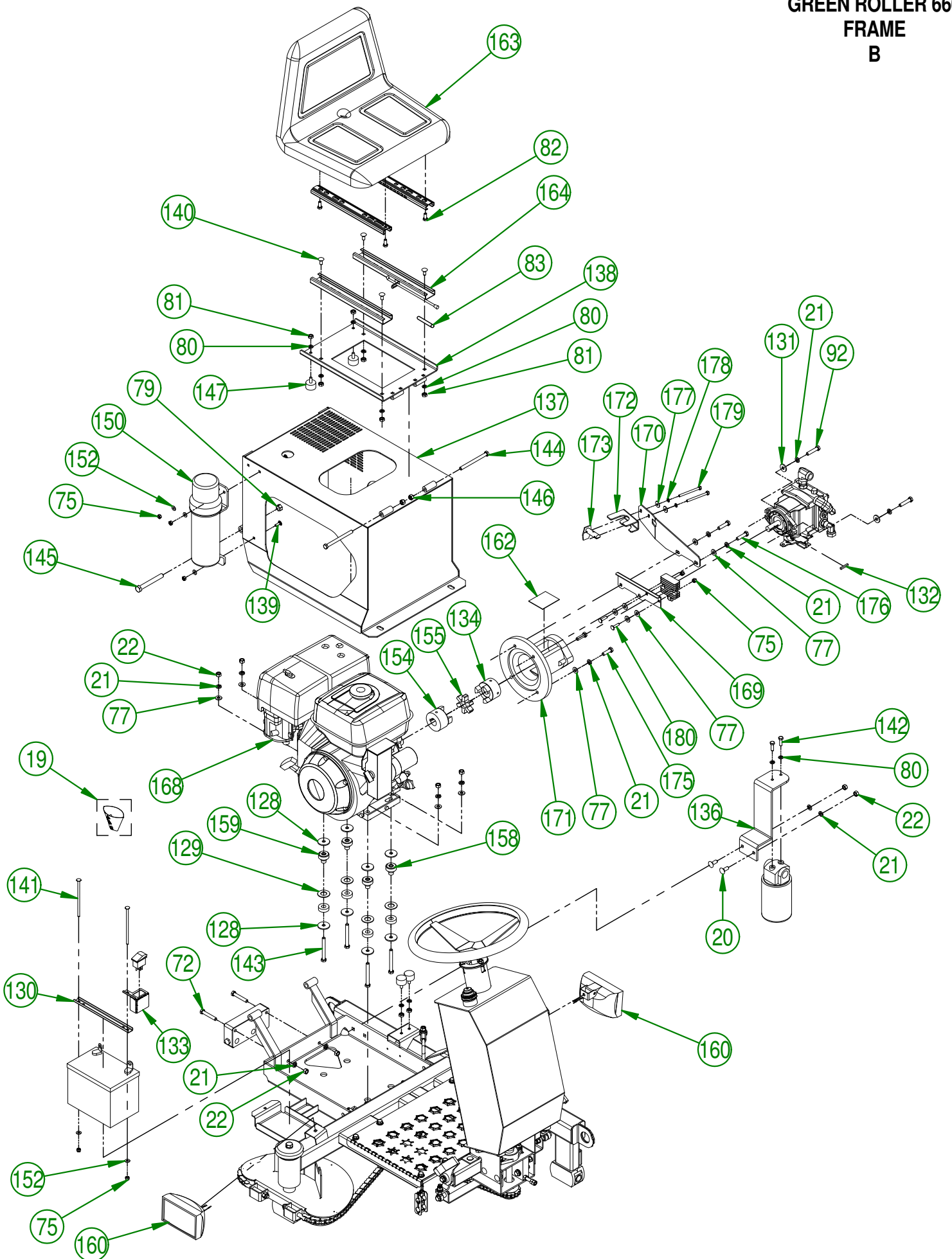
FRAME A

REF.	PART NO.	DESCRIPTION	QTE
2	39-09-1205	BUSHING	3
3	39-42-0700	PIVOT BLOC	3
13	21-01-0950	FLAT WASHER 1.005" Dia. X Ø 25/64"	2
20	NC01-04-0109	CARR.BOLT 3/8"-16 X 1" LG (GRADE 2)	6
21	NC02-32-0012	LOCK WASHER Ø 3/8"	46
22	NC02-07-0018	HEX.NUT 3/8"-16	25
23	39-50-0000	FRAME	1
24	NC14-75-0091	BALL BEARING # 6206-ZZ	2
25	39-50-0070	DIRECTION TRAY	1
26	39-21-0000	TRAY SHAFT END CAP	1
27	39-30-9950	CHAIN TENSIONER	2
28	NC14-75-0018	FLANGE BEARING UCFL 204-12 Ø 3/4"	2
29	39-21-0205	BLOC	1
30	39-13-1000	SHAFT	1
31	39-36-0200	GEAR	1
32	39-41-5750	COUPLING	1
34	NC14-75-0008	PRESS.STEEL FLANGE	2
35	39-50-0080	STEERING WHEEL	1
36	39-01-2400	FOOTBOARD	1
37	39-50-0105	PEDAL (LEFT)	1
38	NC14-75-0153	BEARING R6 2RS	6
39	01-09-0005	BUSHING	3
40	39-50-0110	PEDAL (RIGHT)	1
47	NC01-67-0304	END LINK 3/8"-24	2
48	39-50-0040	PEDAL JONCTION ARM	1
55	NC13-25-0378	WIRE HOLDER	2
58	39-21-0025	DIRECTION JOINT	1
65	NC01-67-0104	END LINK 3/8"-24	2
66	39-13-0400	HYDROSTATIC CONTROL ROD	1
71	39-01-3060	HYDRAULIC SUPPORT HOSE	2
72	NC01-17-0119	HEX.BOLT 3/8"-16 X 2 1/4" LG (GRADE 2)	3
75	NC01-96-0009	NYLON INSERT LOCKNUTS 1/4"-20	9
77	01-01-2485	FLAT WASHER 13/16" Dia. X Ø 25/64" X 14GA	30
79	NC01-96-0014	NYLON INSERT LOCKNUTS 1/2"-13	4
80	NC02-32-0011	LOCK WASHER Ø 5/16"	13
81	NC02-07-0017	HEX.NUT 5/16"-18	11
82	NC01-17-0058	HEX.BOLT 5/16"-18 X 3/4" LG (GR2)	7
86	NC02-32-0014	LOCK WASHER Ø 1/2"	5
87	NC01-17-0249	HEX.BOLT 1/2"-13 X 1 1/2" (GRADE 2)	1
88	NC01-17-0112	HEX.BOLT 3/8"-16 X 3/4" LG (GRADE 2)	6
89	NC01-17-0114	HEX.BOLT 3/8"-16 X 1" LG (GRADE2)	3
90	NC01-25-0117	HEX. BOLT GR5 NC ZINC 3/8"-16 X 1 3/4"	2
91	NC02-10-0018	HEX.NUT 3/8"-24	4
92	NC01-17-0117	HEX.BOLT3/8"-16 X 1 3/4" LG (GRADE 2)	4
93	01-09-0000	ROLLER BEARING BUSHING	2
94	NC01-04-0002	CARR.BOLT 1/4"-20 X 5/8" LG (GRADE 2)	2
95	NC01-04-0117	CARR.BOLT 3/8"-16 X 3" LONG (GRADE 2)	2
96	NC01-04-0107	CARR.BOLT 3/8"-16 X 3/4" LG (GRADE 2)	4
97	39-21-0010	BEARING SPACER	1
98	39-21-0005	BUSHING	4
99	NC01-17-0132	BOLT HEX.GR2 NC ZINC 3/8-16 X 5 1/2	2
100	NC01-17-0118	HEX.BOLT 3/8"-16 X 2" LG (GRADE 2)	1
101	NC01-69-0463	SPRING PIN 1/4" X 1 3/4" LG	3
103	39-50-0025	BEARING SUPPORT	1
104	NC14-75-0033	PILLOW BLOC BEARING	2
105	39-50-0060	GEAR & REDUCTION SHAFT	1

FRAME A

REF.	PART NO.	DESCRIPTION	QTE
106	NC01-04-0237	CARR. BOLT GR2 NC ZINC 1/2-13 X 2	4
107	01-01-0925	FLAT WASHER 1 1/64" Dia. X Ø 33/64" X 10GA	4
108	NC02-07-0020	HEX.NUT 1/2"-13	4
121	39-37-1015	CHAINE #50 X 52 3/8" LG	1
122	39-37-1000	CHAINE #40 X 55" LG	1
123	NC14-75-0014	BALL BEARING SB 204-12 X Ø 3/4"	1
124	NC13-80-0078	BLOCKED CHAIN LINK	1
125	NC01-75-0011	THREADED CONNECTOR	1
126	39-55-0110	ROD	1
127	NC13-80-0254	STEERING WHEEL SHEATH	1

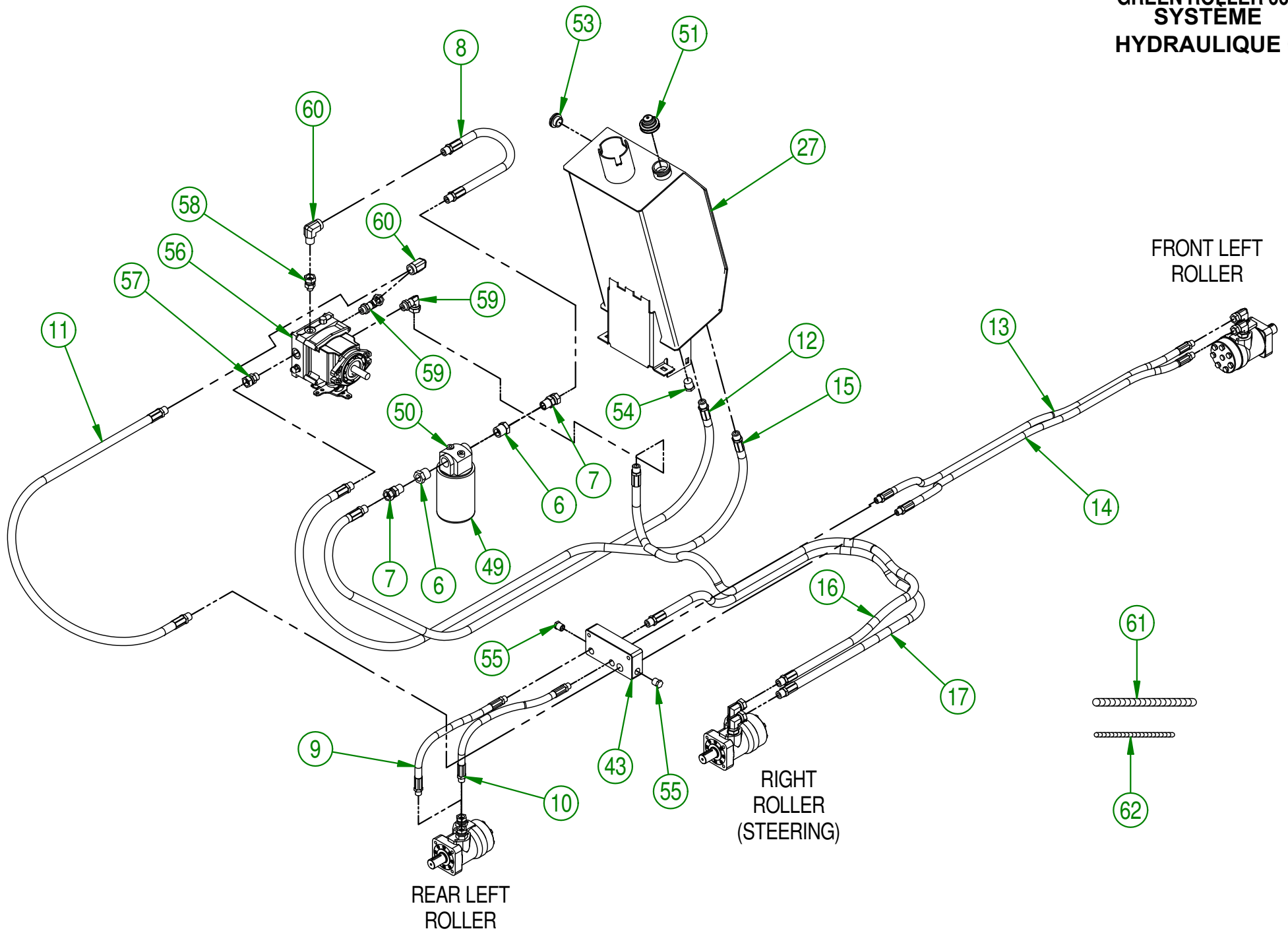
GREEN ROLLER 660
FRAME
B



FRAME B

REF.	PART NO.	DESCRIPTION	QTE
19	39-57-0640	OIL FUNNEL	1
20	NC01-04-0109	CARR.BOLT 3/8"-16 X 1" LG (GRADE 2)	6
21	NC02-32-0012	LOCK WASHER Ø 3/8"	46
22	NC02-07-0018	HEX.NUT 3/8"-16	25
72	NC01-17-0119	HEX.BOLT 3/8"-16 X 2 1/4" LG (GRADE 2)	3
75	NC01-96-0009	NYLON INSERT LOCKNUTS 1/4"-20	9
77	01-01-2485	FLAT WASHER 13/16" Dia. X Ø 25/64" X 14GA	28
79	NC01-96-0014	NYLON INSERT LOCKNUTS 1/2"-13	4
80	NC02-32-0011	LOCK WASHER Ø 5/16"	13
81	NC02-07-0017	HEX.NUT 5/16"-18	11
82	NC01-17-0058	HEX.BOLT 5/16"-18 X 3/4" LG (GR2)	7
83	39-46-0525	PROTECTOR	1
92	NC01-17-0117	HEX.BOLT3/8"-16 X 1 3/4" LG (GRADE 2)	4
128	01-33-0010	FLAT WASHER 1 1/2" Dia. X Ø 25/64" X 11GA	8
129	26-03-4800	FLAT WASHER 1 1/2" DIA. X Ø 25/32"	4
130	33-01-3015	BATTERY HOLDER	1
131	21-01-0950	FLAT WASHER 1.005" Dia. X Ø 25/64"	4
132	01-41-0905	SQUARE KEY 3/16" X 3/16" X 1 1/4" LG	1
133	39-01-3050	LIGHT SWITCH SUPPORT	1
134	39-46-3500	LOVEJOY COUPLING	1
136	39-50-0020	OIL FILTER SUPPORT	1
137	39-57-0010	ENGINE HOOD	1
138	39-50-0115	SEAT SLIDE SUPPORT	1
139	NC01-04-0003	CARR. BOLT GR2 NC ZINC 1/4-20 X 3/4	3
140	NC01-04-0056	CARRAGE BOLT 5/16"-18 X 3/4" LG (GRADE 2)	4
141	NC01-04-0026	CARR.BOLT 1/4"-20 X 5 1/2" LG (GRADE 2)	2
142	NC01-17-0060	HEX.BOLT 5/16"-18 X 1" LG (GRADE 2)	2
143	NC01-17-0123	HEX. BOLT 3/8"-16 X 3 1/4" LG (GRADE 2)	4
144	NC01-17-0128	HEX. BOLT GR2 NC ZINC 3/8-16 X 4 1/2	2
145	NC01-17-0259	HEX.BOLT 1/2"-13 X 4" LG (GRADE 2)	2
146	NC01-96-0011	NYLON INSERT LOCKNUTS 3/8"-16	2
147	NC13-15-0034	RUBBER ABSORBER	4
150	NC13-30-0237	CAPSULE WITH END CAP	1
152	NC02-25-0007	FLAT WASHER 5/8" Dia. X Ø 9/32"	5
154	NC14-05-0029	LOVEJOY COUPLING (HALF)	1
155	NC14-05-0030	LOVEJOY COUPLING	1
N/A			2
N/A			2
158	NC13-15-0068	RUBBER MOUNT RB1-120	2
159	NC13-15-0059	RUBBER MOUNT RB1-60	2
160	39-55-0120	LIGHT	2
162	NC13-45-0215	ENGINE ADAPTOR	1
163	NC13-80-0200	SEAT	1
164	NC13-80-0201	SEAT TRACK KIT	1
168	NC14-40-0008	MOTEUR HONDA GX 390 KQAE 13 HP WITH STARTER	1
169	39-01-2405	VOLTAGE REGULATOR SUPPORT	1
170	39-01-1090	MUFFLER SUPPORT	1
171	39-50-0120	ENGINE ADAPTOR	1
172	39-01-1080	MUFFLER SUPPORT	1
173	39-50-0085	MUFFLER SUPPORT	1
175	NC01-17-0115	HEX.BOLT 3/8"-16 X 1 1/4" LG (GRADE 2)	2
176	NC01-17-0116	HEX.BOLT 3/8"-16 X 1 1/2" LG (GRADE2)	2
177	36-01-2430	FLAT WASHER 13/16" Dia. X Ø 17/64"	2
178	NC02-32-0010	LOCK WASHER Ø 1/4"	2
179	NC01-37-0014	HEX BOLT GR8 NF ZINC	2
180	NC01-04-0005	CARR. BOLT GR2 NC ZINC 1/4-20 X 1	2

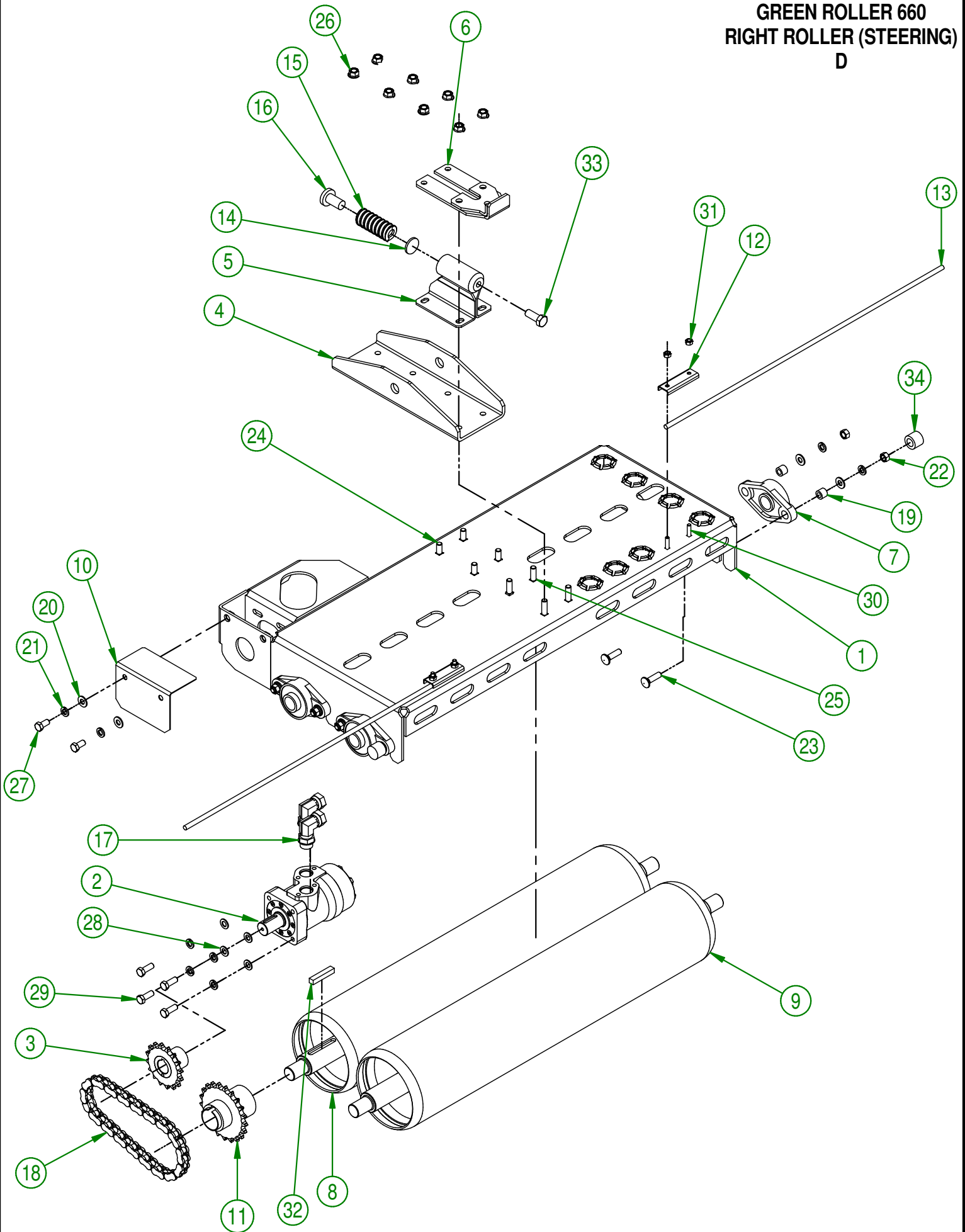
**GREEN ROLLER 660
SYSTÈME
HYDRAULIQUE C**



HYDRAULIC SYSTEM

REF.	PART NO.	DESCRIPTION	QTE
6	NC13-45-0032	NPTF 3/4" MALE TO NPTF 1/2" FEMALE BUSHING	2
7	NC13-45-0091	UNION 1/2 MÂLE NPT X 1/2 FEM. TOUR. NPSM	2
8	NC17-02-0313	HYDRAULIC HOSE	1
9	NC17-02-0310	HYDRAULIC HOSE	1
10	NC17-02-0311	HYRAULIC HOSE	1
11	NC17-02-0314	HYDRAULIC HOSE	1
12	NC17-02-0317	HYDRAULIC HOSE	1
13	NC17-02-0312	HYDRAULIC HOSE	1
14	NC17-02-0312	HYDRAULIC HOSE	1
15	NC17-02-0318	HYDRAULIC HOSE	1
16	NC17-02-0316	HYDRAULIC HOSE	1
17	NC17-02-0315	HYDRAULIC HOSE	1
27	39-57-0005	OIL TANK	1
43	39-21-0200	HYDRAULIC DISTRIBUTION BLOC	1
49	NC13-45-0049	FILTER (HEAD SECTION)	1
50	NC13-45-0048	OIL FILTER	1
51	NC13-37-0121	GAZ TANK CAP	1
53	NC01-76-0001	SIGHT GLASS 3/4 NPT	1
54	NC13-45-0015	HEXAGONAL CAP 1/2 NPTF MALE	1
55	NC13-45-0221	HEX. PLUG 3/8 MALE NPTF	2
56	39-55-0035	HYDROSTATIC ENGINE	1
57	NC13-45-0106	UNION 3/4-16 MÂLE SAE ORING X 1/2 FEM.TOUR.NPT	1
58	NC13-45-0220	UNION RIGHT 9/16-18 MÂLE SAE6 ORINGX1/2 FEM.TOUR.NPT	1
59	NC13-45-0203	ELBOW 90° 3/4-16 MÂLE SAE8 O RINGX1/2 FEM.TOUR.NPT	2
60	NC13-45-0025	90° FEMALE 1/2 NPT X MALE 1/2 NPT	2
61	39-42-0000	HYDRAULIC HOSE PROTECTOR 1/2"	7
62	39-42-0005	HYDRAULIC HOSE PROTECTOR 3/8"	2

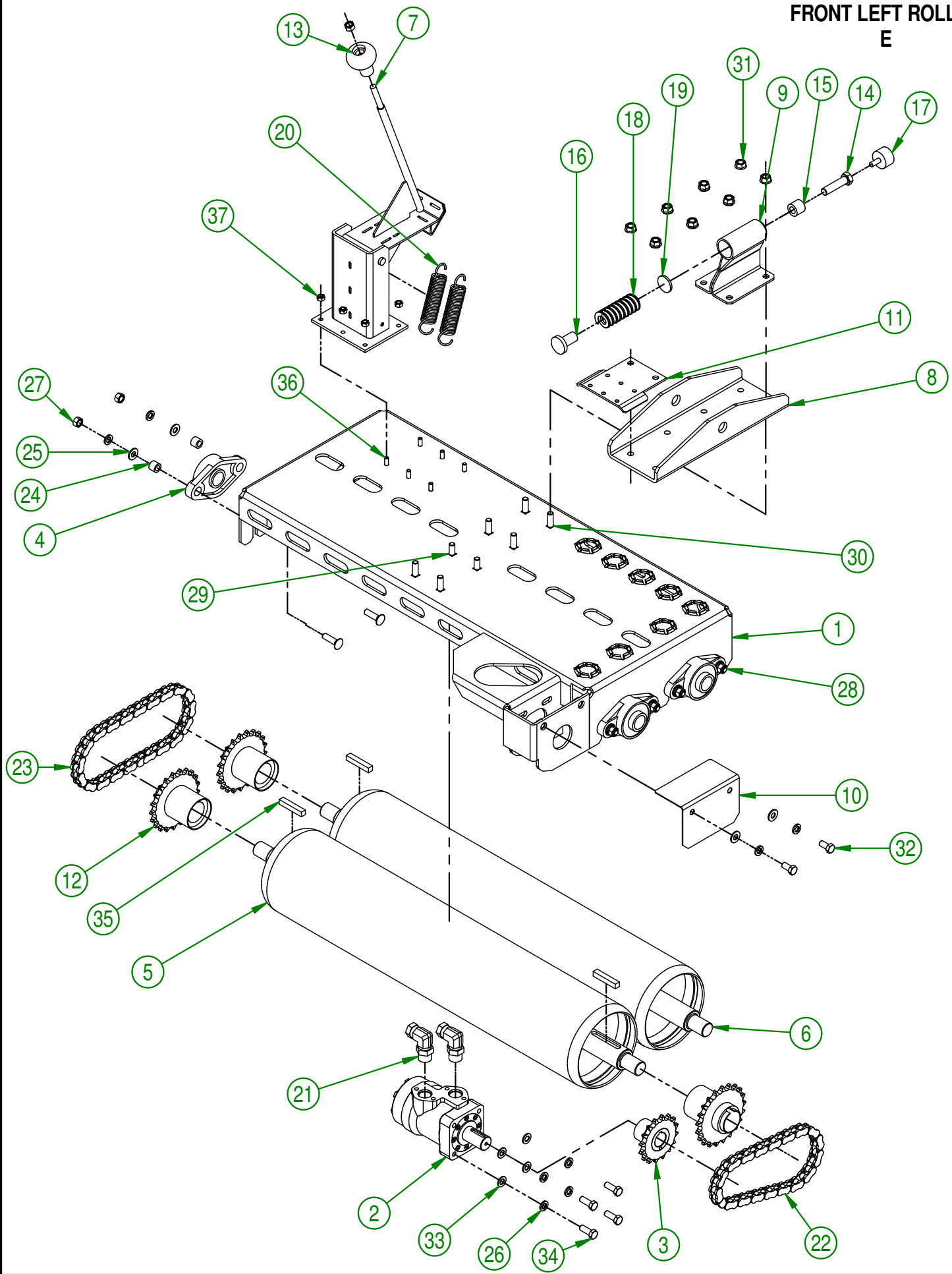
**GREEN ROLLER 660
RIGHT ROLLER (STEERING)
D**



RIGHT ROLLER (STEERING)

REF.	PART NO.	DESCRIPTION	QTE
1	39-50-0005	ROLLER HOUSING (RIGHT)	1
2	NC14-45-0041	HYDRAULIC MOTOR	1
3	39-50-0055	GEAR	1
4	39-04-0225	ROLLER PLATE SUPPORT	1
5	39-50-0045	SPRING GUIDE	1
6	39-50-0310	HOOK LOCK	1
7	NC14-75-0019	FLANGE BEARING UCFL 205-16 X Ø 1"	4
8	39-50-0090	ROLLER	1
9	39-50-0090	ROLLER	1
10	39-01-3000	CHAINE GUARD	1
11	39-50-0050	GEAR	1
12	39-03-4800	COLLAR CLAMP	2
13	39-42-0600	DIRECTION ROD	2
14	39-01-1000	SPRING GUIDE	1
15	NC13-86-0159	SPRING	1
16	39-42-0100	SPRING GUIDE	1
17	NC13-45-0028	ELBOW 90° 7/8-14 MÂLE SAE O RING X 1/2 FEM.TOUR.NPT	2
18	39-37-1005	CHAIN	1
19	01-09-0000	ROLLER BEARING BUSHING	8
20	01-01-2485	FLAT WASHER 13/16" Dia. X Ø 25/64" X 14GA	10
21	NC02-32-0012	LOCK WASHER Ø 3/8"	14
22	NC02-07-0018	HEX.NUT 3/8"-16	8
23	NC01-04-0111	BOLT CARR. GR2 NC ZINC 3/8-16 X 1 1/2	10
24	NC01-04-0109	CARR.BOLT 3/8"-16 X 1" LG (GRADE 2)	4
25	NC01-04-0110	CARRIAGE BOLT 3/8"-16 X 1 1/4" LG (GRADE 2)	2
26	NC02-14-0019	FLANGE HEX. LOCKNUTS 3/8"-16 (GRADE B)	8
27	NC01-17-0112	HEX.BOLT 3/8"-16 X 3/4" LG (GRADE 2)	2
28	21-01-0950	FLAT WASHER 1.005" Dia. X Ø 25/64"	4
29	NC01-17-0114	HEX.BOLT 3/8"-16 X 1" LG (GRADE2)	4
30	NC01-04-0005	CARR. BOLT GR2 NC ZINC 1/4-20 X 1	4
31	NC01-96-0009	NYLON INSERT LOCKNUTS 1/4"-20	4
32	NC01-65-0101	SQUARE KEY 3/8" X 3/8" X 2 1/4" LG	1
33	NC01-17-0248	HEX.BOLT 1/2"-13 X 1 1/4" LG (GRADE 2)	1

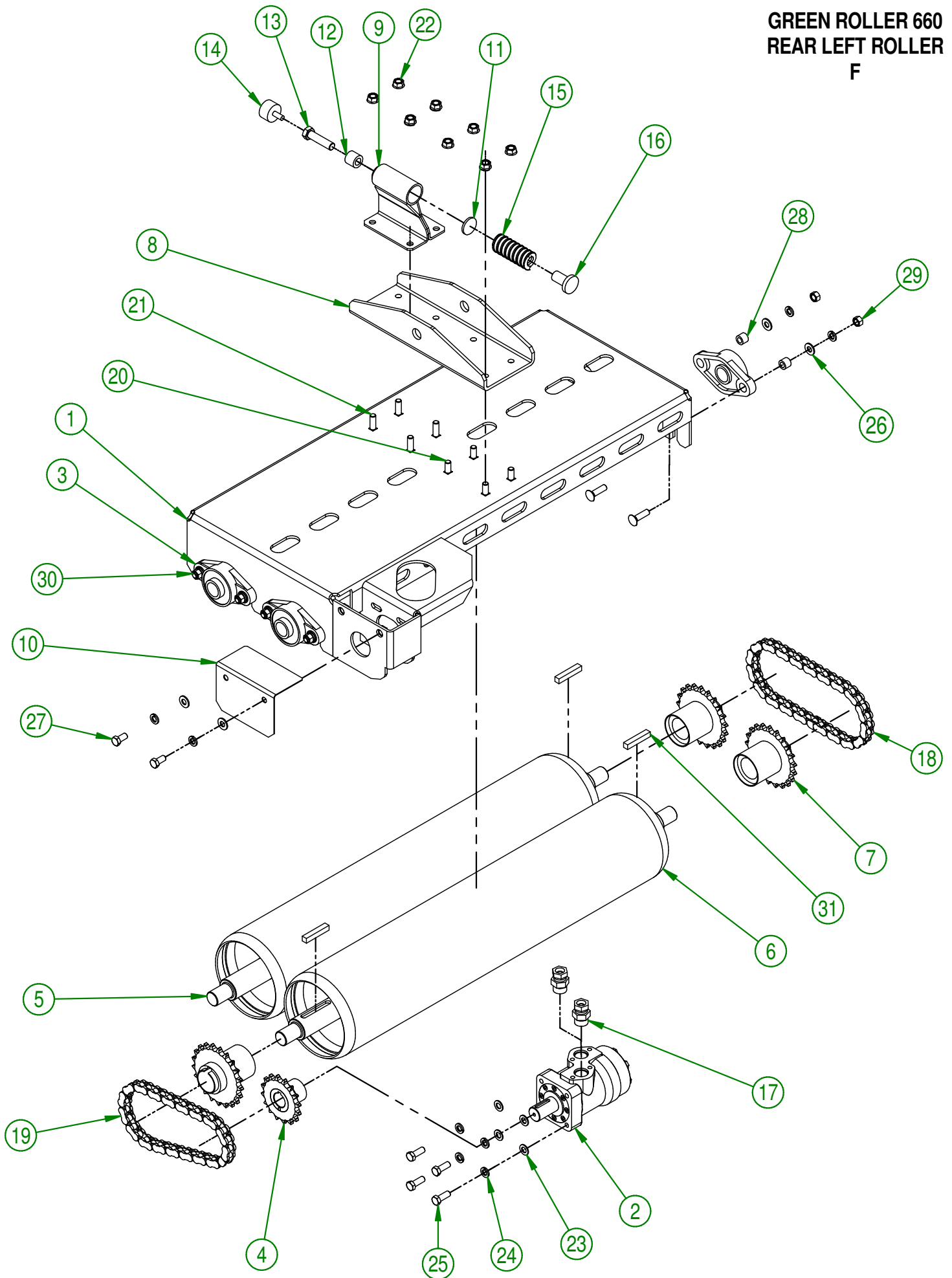
**GREEN ROLLER 660
FRONT LEFT ROLLER
E**



FRONT LEFT ROLLER

REF.	PART NO.	DESCRIPTION	QTE
1	39-50-0010	ROLLER CASE	1
2	NC14-45-0040	HYDRAULIC MOTOR # 50	1
3	39-50-0055	GEAR	1
4	NC14-75-0019	FLANGE BEARING UCFL 205-16 X Ø 1"	4
5	39-50-0090	ROLLER	1
6	39-50-0090	ROLLER	1
7	39-50-0065	RAMP LOCK	1
8	39-04-0225	ROLLER PLATE SUPPORT	1
9	39-50-0045	SPRING GUIDE	1
10	39-01-3000	CHAINE GUARD	1
11	39-01-1050	HYDRAULIC HOSE SUPPORT	1
12	39-50-0050	GEAR	3
13	NC17-46-0018	PLASTIC KNOB	1
14	39-30-9955	RAMP STOP	1
15	39-21-0030	RAMP STOP SPACER	1
16	39-42-0100	SPRING GUIDE	1
17	NC13-15-0034	RUBBER ABSORBER	1
18	NC13-86-0159	SPRING	1
19	39-01-1000	SPRING GUIDE	1
20	NC13-85-0008	SPRING 7/8" Dia. X 5" LG	2
21	NC13-45-0072	90° 7/8"-14 MALE SAE O RING X 3/8" FEM.TOUR.NPT	2
22	39-37-1005	CHAIN	1
23	39-37-1010	CHAIN	1
24	01-09-0000	ROLLER BEARING BUSHING	8
25	01-01-2485	FLAT WASHER 13/16" Dia. X Ø 25/64" X 14GA	10
26	NC02-32-0012	LOCK WASHER Ø 3/8"	14
27	NC02-07-0018	HEX.NUT 3/8"-16	9
28	NC01-04-0111	BOLT CARR. GR2 NC ZINC 3/8-16 X 1 1/2	8
29	NC01-04-0109	CARR.BOLT 3/8"-16 X 1" LG (GRADE 2)	2
30	NC01-04-0110	CARRIAGE BOLT 3/8"-16 X 1 1/4" LG (GRADE 2)	6
31	NC02-14-0019	FLANGE HEX. LOCKNUTS 3/8"-16 (GRADE B)	8
32	NC01-17-0112	HEX.BOLT 3/8"-16 X 3/4" LG (GRADE 2)	2
33	21-01-0950	FLAT WASHER 1.005" Dia. X Ø 25/64"	4
34	NC01-17-0114	HEX.BOLT 3/8"-16 X 1" LG (GRADE2)	4
35	NC01-65-0101	SQUARE KEY 3/8" X 3/8" X 2 1/4" LG	3
36	NC01-37-0004	HEX.BOLT 1/4"-28 X 3/4" LG (GRADE 8)	6
37	NC01-97-0004	NYLON INSERT LOCKNUTS 1/4"-28	6

GREEN ROLLER 660
REAR LEFT ROLLER
F

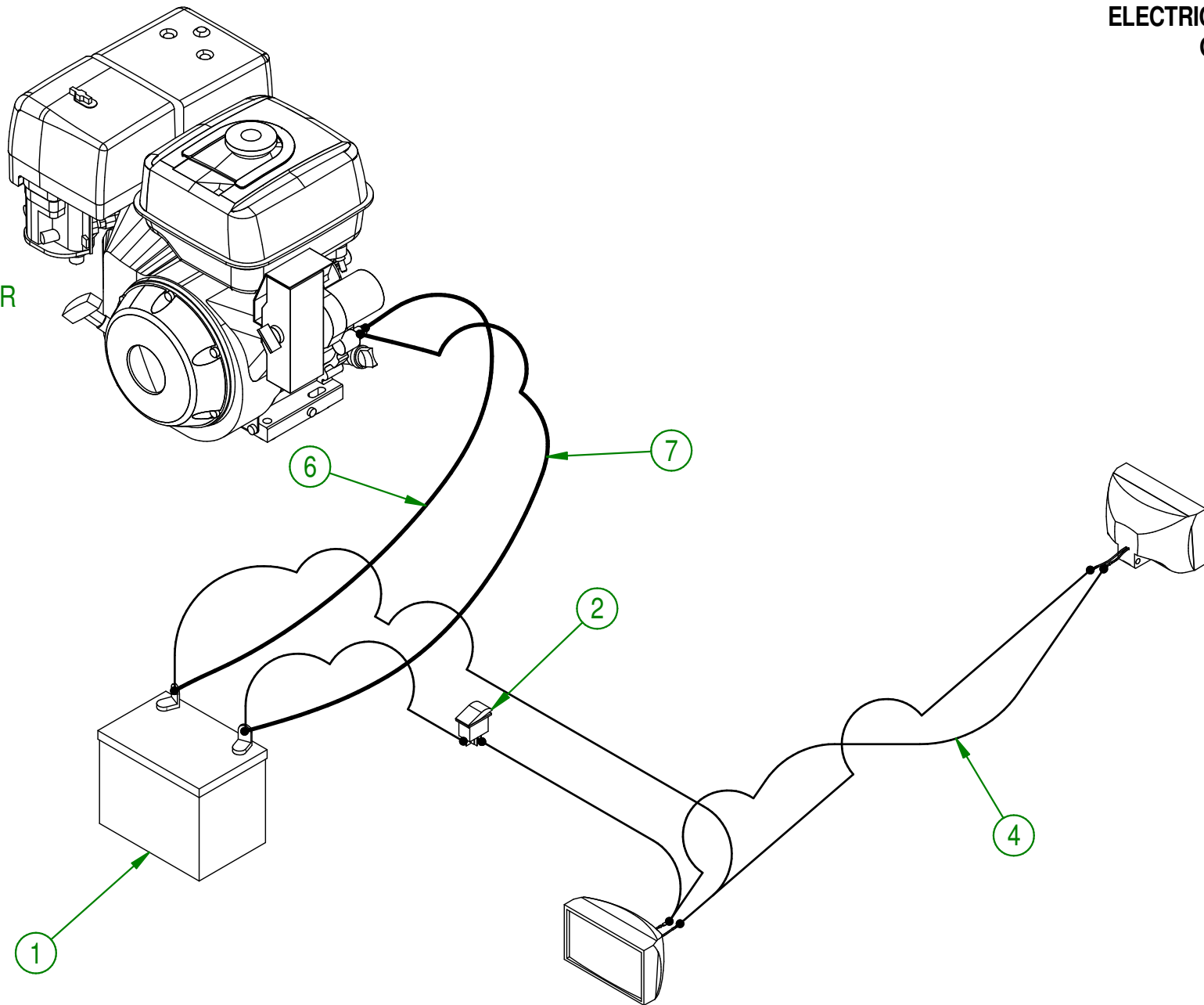


REAR LEFT ROLLER

REF.	PART NO.	DESCRIPTION	QTE
1	39-50-0015	ROLLER CASE	1
2	NC14-45-0040	HYDRAULIC MOTOR # 50	1
3	NC14-75-0019	FLANGE BEARING UCFL 205-16 X Ø 1"	4
4	39-50-0055	GEAR	1
5	39-50-0090	ROLLER	1
6	39-50-0090	ROLLER	1
7	39-50-0050	GEAR	3
8	39-04-0225	ROLLER PLATE SUPPORT	1
9	39-50-0045	SPRING GUIDE	1
10	39-01-3000	CHAINE GUARD	1
11	39-01-1000	SPRING GUIDE	1
12	39-21-0030	RAMP STOP SPACER	1
13	39-30-9955	RAMP STOP	1
14	NC13-15-0034	RUBBER ABSORBER	1
15	NC13-86-0159	SPRING	1
16	39-42-0100	SPRING GUIDE	1
17	NC13-45-0073	STRAIGHT UNION 7/8-14 MALE SAE O RING X 3/8 FEM.TOUR.NPT	2
18	39-37-1010	CHAIN	1
19	39-37-1005	CHAIN	1
20	NC01-04-0109	CARR.BOLT 3/8"-16 X 1" LG (GRADE 2)	4
21	NC01-04-0110	CARRIAGE BOLT 3/8"-16 X 1 1/4" LG (GRADE 2)	4
22	NC02-14-0019	FLANGE HEX. LOCKNUTS 3/8"-16 (GRADE B)	8
23	21-01-0950	FLAT WASHER 1.005" Dia. X Ø 25/64"	4
24	NC02-32-0012	LOCK WASHER Ø 3/8"	14
25	NC01-17-0114	HEX.BOLT 3/8"-16 X 1" LG (GRADE2)	4
26	01-01-2485	FLAT WASHER 13/16" Dia. X Ø 25/64" X 14GA	10
27	NC01-17-0112	HEX.BOLT 3/8"-16 X 3/4" LG (GRADE 2)	2
28	01-09-0000	ROLLER BEARING BUSHING	8
29	NC02-07-0018	HEX.NUT 3/8"-16	8
30	NC01-04-0111	BOLT CARR. GR2 NC ZINC 3/8-16 X 1 1/2	8
31	NC01-65-0101	SQUARE KEY 3/8" X 3/8" X 2 1/4" LG	3

**GREEN ROLLER 660
ELECTRIC SYSTEM
G**

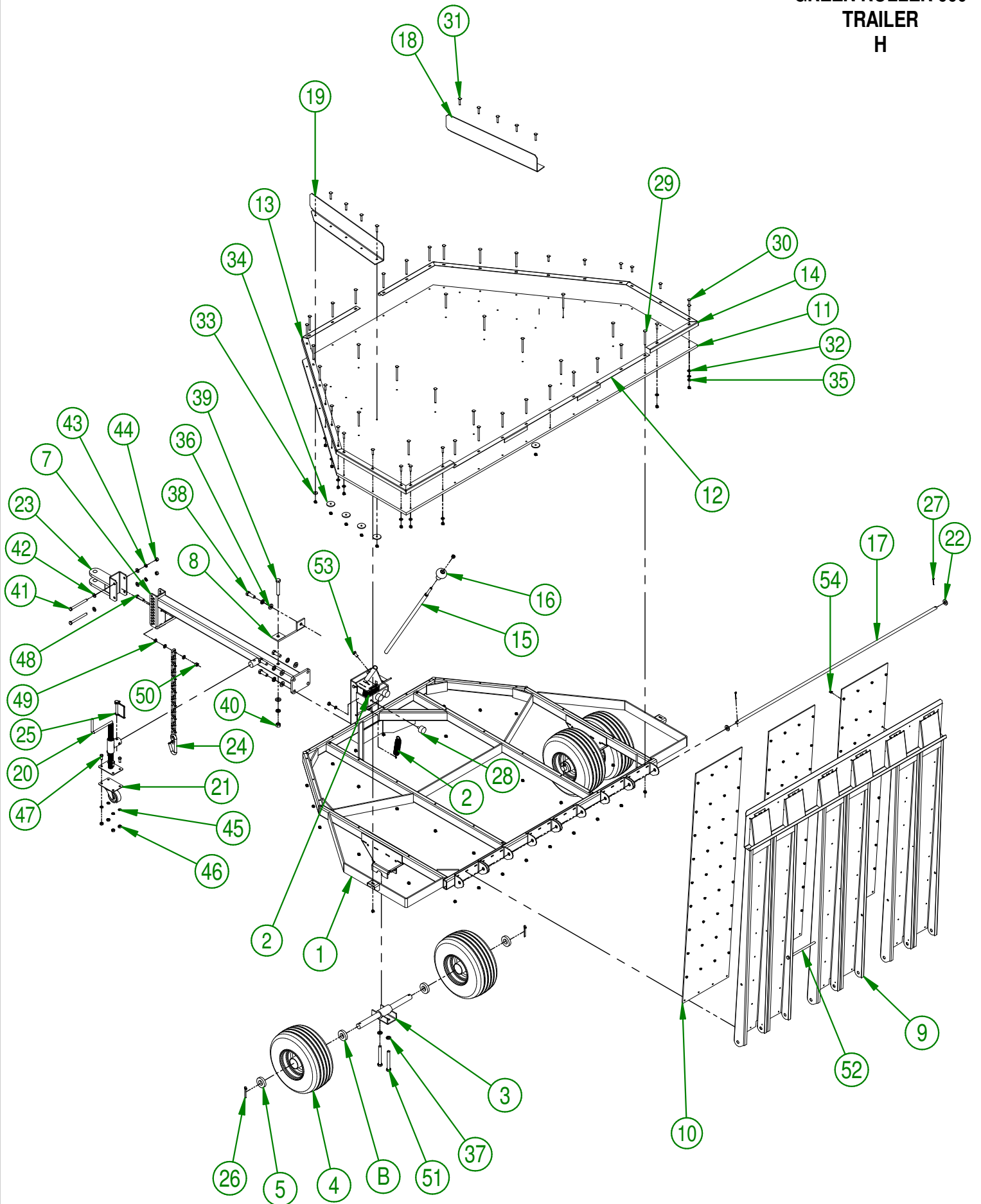
MOTOR



ELECTRIC SYSTEM

REF.	PART NO.	DESCRIPTION	QTE
1	NC13-12-0001	BATTERY (12 VOLTS)	1
2	NC13-25-0368	LIGHT SWITCH	1
4	39-57-0015	COMPLETE WIRING KIT	1
6	39-55-0105	BATTERY CABLE 31" LG (NEGATIF)	1
7	39-55-0100	BATTERY CABLE 29" LG (POSITIF)	1

**GREEN ROLLER 660
TRAILER
H**



TRAILER

REF.	PART NO.	DESCRIPTION	QTE
1	39-50-0300	TRAILER	1
2	NC13-85-0008	SPRING 7/8" Dia. X 5" LG	4
3	39-50-0320	TRAILER AXLE	2
4	39-46-0600	INFLATABLE TIRE	4
5	04-42-0135	AXLE BUSHING 2" Dia. X 7/8" LG	4
6	39-42-0115	AXLE BUSHING 2" Dia. X 1.225" LG	4
7	39-50-0325	TONGUE (TRAILER)	1
8	39-05-1015	SUPPORT	1
9	39-50-0305	RAMP	1
10	39-42-0030	RUBBER	3
11	39-46-0025	FLOOR	1
12	39-01-3020	FLOOR CORNER	1
13	39-01-3015	FLOOR CORNER LEFT	1
14	39-01-3017	FLOOR CORNER RIGHT	1
15	39-50-0330	LOCK LEVER	1
16	NC17-46-0018	PLASTIC KNOB	1
17	39-13-0600	SHAFT	1
18	39-01-1015	GUIDE	1
19	39-01-1017	GUIDE	1
20	33-50-0576	STAND	1
21	NC14-70-0323	SWIVEL WHEEL	1
22	NC02-25-0011	FLAT WASHER Ø 17/32"	2
23	33-50-0055	HITCH	1
24	NC13-80-0228	SAFETY CHAIN	1
25	NC01-69-1306	LOCK PIN 3/8" Dia. X 2 1/2" LG	1
26	NC01-69-0180	CUTTER PIN 1/4" Dia. X 1 3/4" LG	4
27	NC01-69-0140	COTTER PIN 1/8" X 1" LG	2
28	NC13-15-0034	RUBBER ABSORBER	3
29	NC01-02-0013	CARRIAGE BOLT 1/4"-20 X 3" LG (GRADE 2)	33
30	NC01-04-0005	CARR. BOLT GR2 NC ZINC 1/4-20 X 1	16
31	NC01-04-0006	CARR.BOLT 1/4"-20 X 1 1/4" LONG (GRADE 2)	10
32	NC02-22-0008	FLAT WASHER Ø 5/16"	14
33	36-01-2430	FLAT WASHER 13/16" Dia. X Ø 17/64"	2
34	39-01-1105	WASHER	8
35	NC01-96-0009	NYLON INSERT LOCKNUTS 1/4"-20	59
36	01-01-0925	FLAT WASHER 1 1/64" Dia. X Ø 33/64" X 10GA	6
37	NC02-32-0014	LOCK WASHER Ø 1/2"	10
38	NC01-17-0249	HEX.BOLT 1/2"-13 X 1 1/2" (GRADE 2)	5
39	NC01-17-0255	HEX.BOLT 1/2"-13 X 3" (GRADE 2)	1
40	NC02-07-0020	HEX.NUT 1/2"-13	1
41	NC01-25-0126	HEX. BOLT GR5 NC ZINC 3/8-16 X 4	2
42	01-01-2485	FLAT WASHER 13/16" Dia. X Ø 25/64" X 14GA	4
43	NC02-32-0012	LOCK WASHER Ø 3/8"	2
44	NC02-07-0018	HEX.NUT 3/8"-16	2
45	NC02-32-0011	LOCK WASHER Ø 5/16"	7
46	NC02-07-0017	HEX.NUT 5/16"-18	7
47	NC01-17-0058	HEX.BOLT 5/16"-18 X 3/4" LG (GR2)	4
48	NC01-17-0116	HEX.BOLT 3/8"-16 X 1 1/2" LG (GRADE2)	1
49	21-01-0950	FLAT WASHER 1.005" Dia. X Ø 25/64"	3
50	NC01-96-0011	NYLON INSERT LOCKNUTS 3/8"-16	3
51	NC01-33-0259	HEX.BOLT 1/2"-13 X 4" LG (GRADE 8)	4
52	NC01-17-0140	HEX. BOLT GR2 NC ZINC 3/8-16 X 7 1/2	1
53	NC01-17-0112	HEX.BOLT 3/8"-16 X 3/4" LG (GRADE 2)	1
54	NC01-78-0300	POP RIVET .187 X .515	132

STICKER GREENS ROLLER (GR-660)

REF.	PART NO.	DESCRIPTION	QTE
N/I	39-58-0000	STICKER KIT (GR-660)	1
N/I	01-60-0015	STICKER OIL LEVEL	1
N/I	06-60-0000	STICKER AGRIMÉTAL INC "MEDIUM"	2
N/I	15-60-0010	STICKER WARNING HIGH-PRESSURE FLUID HAZARD...	1
N/I	NC13-33-0095	STICKER OFF ON START (2 3/4" X 1 3/8")	1
N/I	NC13-33-0109	STICKER DANGER FIRE HAZARD NO SMOKING	1
N/I	NC13-33-0151	STICKER IMPORTANT TO PREVENT ENGINE FAILURE ALWAYS...	1
N/I	NC13-33-0199	STICKER CAUTION / READ OPERATOR'S MANUAL BEFORE STARTING...	1
N/I	NC13-33-0232	STICKER AGRIMETAL GREENS ROLLER 660	1