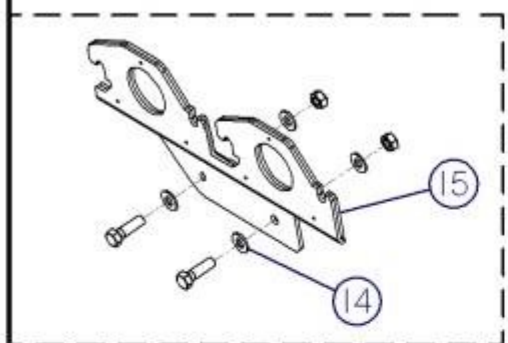
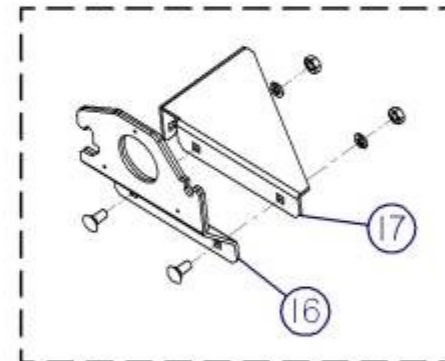
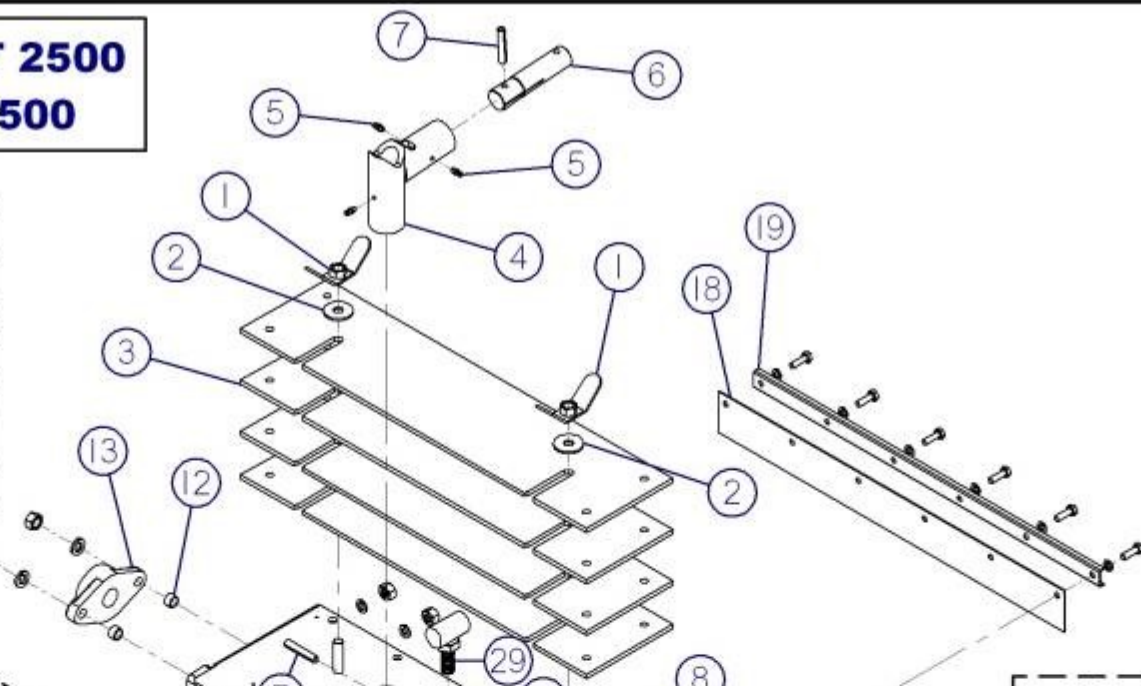


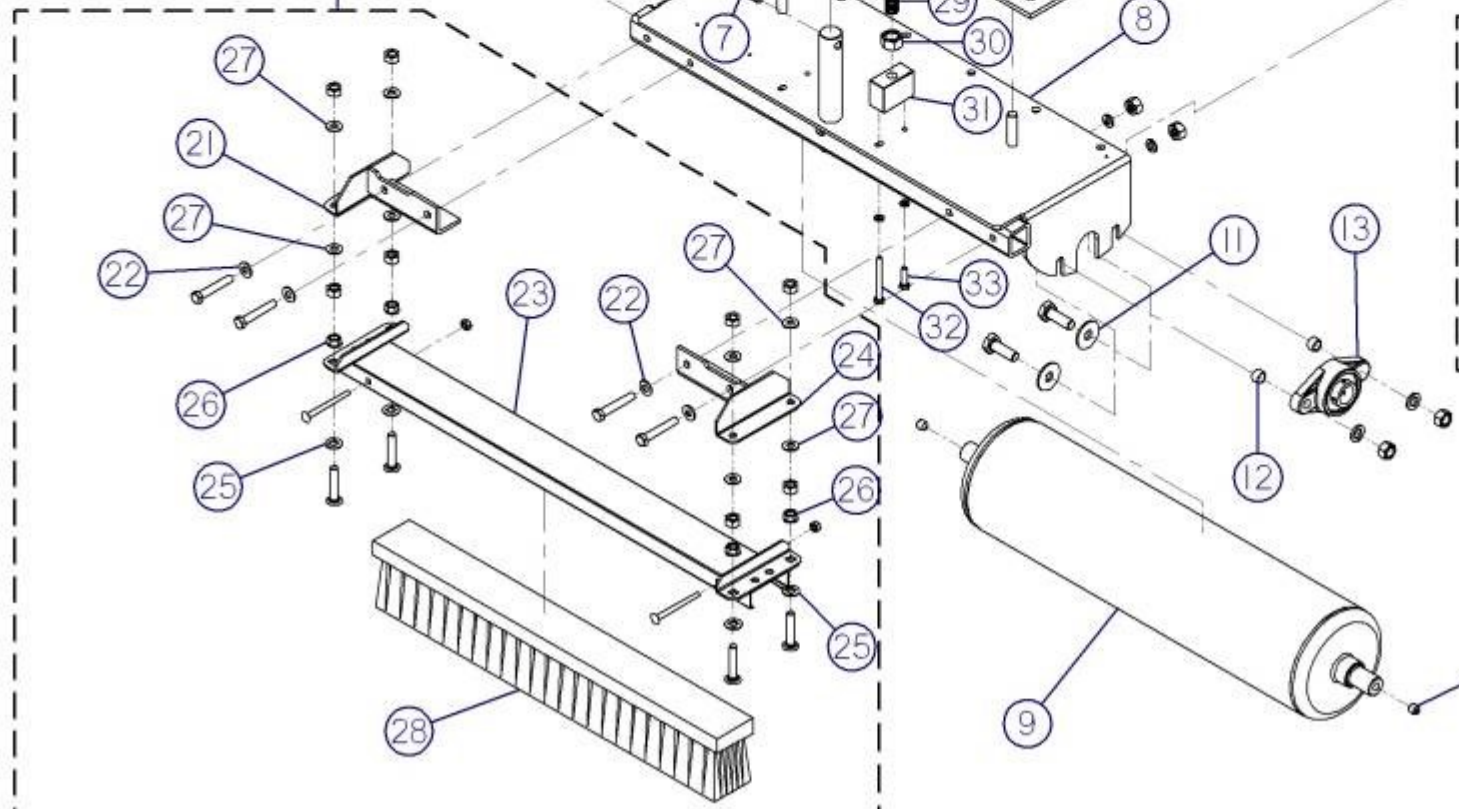
ROULEAU À VERT RT 2500
GREEN ROLLER RT 2500



AVANT
FRONT



ARRIÈRE
REAR



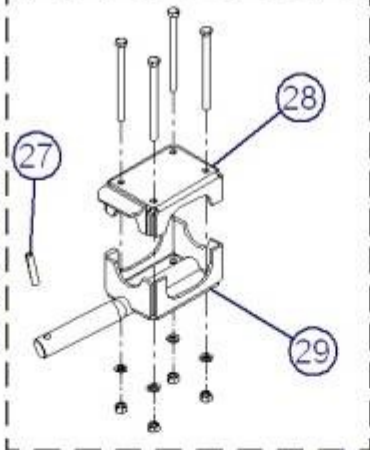
GREEN ROLLER JD T2500-2 (# 25572)

REF.	PART NO.	DESCRIPTION	QTE
1	40-50-0000	WING NUT	6
2	01-01-1660	FLAT WASHER 1 1/2 Dia. X Ø 33/64 X 11GA	6
3	40-04-0200	WEIGHT	12
4	40-50-0050	PIVOT 1/2" X 4° SLOTS 32° (JOHN DEERE 2500)	3
5	NC01-69-0785	GREASE FITTING 1/4"-28 (STRAIGHT)	9
6	40-20-0100	HORIZONTAL AXLE (JD 2500)	3
7	NC01-69-0507	SPRING PIN 3/8" X 2" LG	6
8	40-55-0020	BODY LEFT" STICKER INCLUDED" (JOHN DEER, TORO)	1
N/I	40-55-0025	BODY RIGHT" STICKER INCLUDED" (JOHN DEER, TORO)	1
N/I	40-55-0030	BODY REAR" STICKER INCLUDED" (JOHN DEER, TORO)	1
9	40-50-0020	ROLLER	3
10	NC02-44-0203	ALLEN 6 PANS 1/4-18 NPT	6
11	01-01-1660	FLAT WASHER 1 1/2 Dia. X Ø 33/64 X 11GA	12
12	NC13-80-0061	BUSHING 5/8" X 1/2" X 3/8"	12
13	01-38-0000	FLANGE BEARING UCFL 205-16 X Ø 1"	6
14	01-01-2485	FLAT WASHER 13/16" Dia. X Ø 25/64" X 14GA	6
15	40-50-0045	FRONT HYDRAULIC MOTOR SUPPORT	1
16	40-50-0043	REAR HYDRAULIC MOTOR SUPPORT	1
17	40-01-7500	HYDRAULIC MOTOR SUPPORT EXTENSION	1
18	40-42-0400	PLASTIC SCRAPER	3
19	40-01-3005	SCRAPER HOLDER	3
20	40-55-0015	OPT.BRUSH KIT ASSY.	3
21	40-50-0030	LEFT L SUPPORT	3
22	01-01-2485	FLAT WASHER 13/16" Dia. X Ø 25/64" X 14GA	12
23	40-50-0025	BRUSH SUPPORT	3
24	40-50-0035	RIGHT L SUPPORT	3
25	40-22-2200	SHIM 7/8" X Dia. X Ø 25/64" X 14 GA	12
26	NC02-14-0019	FLANGE HEX. LOCKNUTS 3/8"-16 (GRADE B)	12
27	01-01-2485	FLAT WASHER 13/16" Dia. X Ø 25/64" X 14GA	24
28	NC13-80-0175	YELLOW NYLON BRUSH 2 1/2` LARGE 24` LG	3
29	40-50-0005	ADJUSTABLE STOPPER	3
30	NC02-07-0022	HEX. NUT 5/8"-11	3
31	40-21-0200	ADJUSTABLE STOPPER SUPPORT	3
32	NC01-29-0014	HEX.BOLT.1/4"-28 X 2 1/2" LG (GRADE 5)	3
33	NC01-29-0006	HEX.BOLT.1/4"-28 X 1" LG (GRADE 5)	3

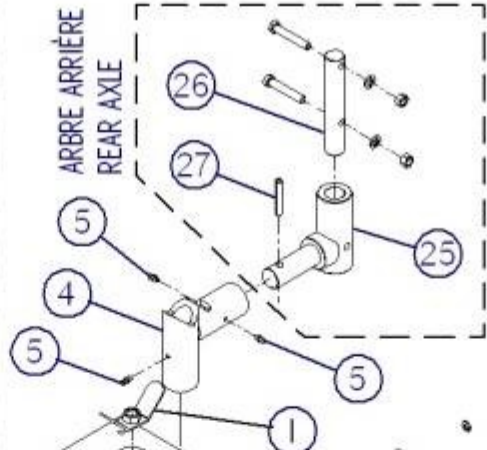
N/I	40-58-0000	STICKER "KIT" (GREEN ROLLER JD T2500)	1
N/I	01-60-0005	STICKER AGRIMÉTAL INC "SMALL"	6
N/I	40-60-0000	STICKER GAUCHE / LEFT...	1
N/I	40-60-0005	STICKER DROITE / RIGHT...	1
N/I	40-60-0010	STICKER ARRIERE / REAR...	1
N/I	NC13-33-0125	STICKER CAUTION (OPERATION MANUAL)	3

ROULEAU A VERT T2243
GREEN ROLLER T2243

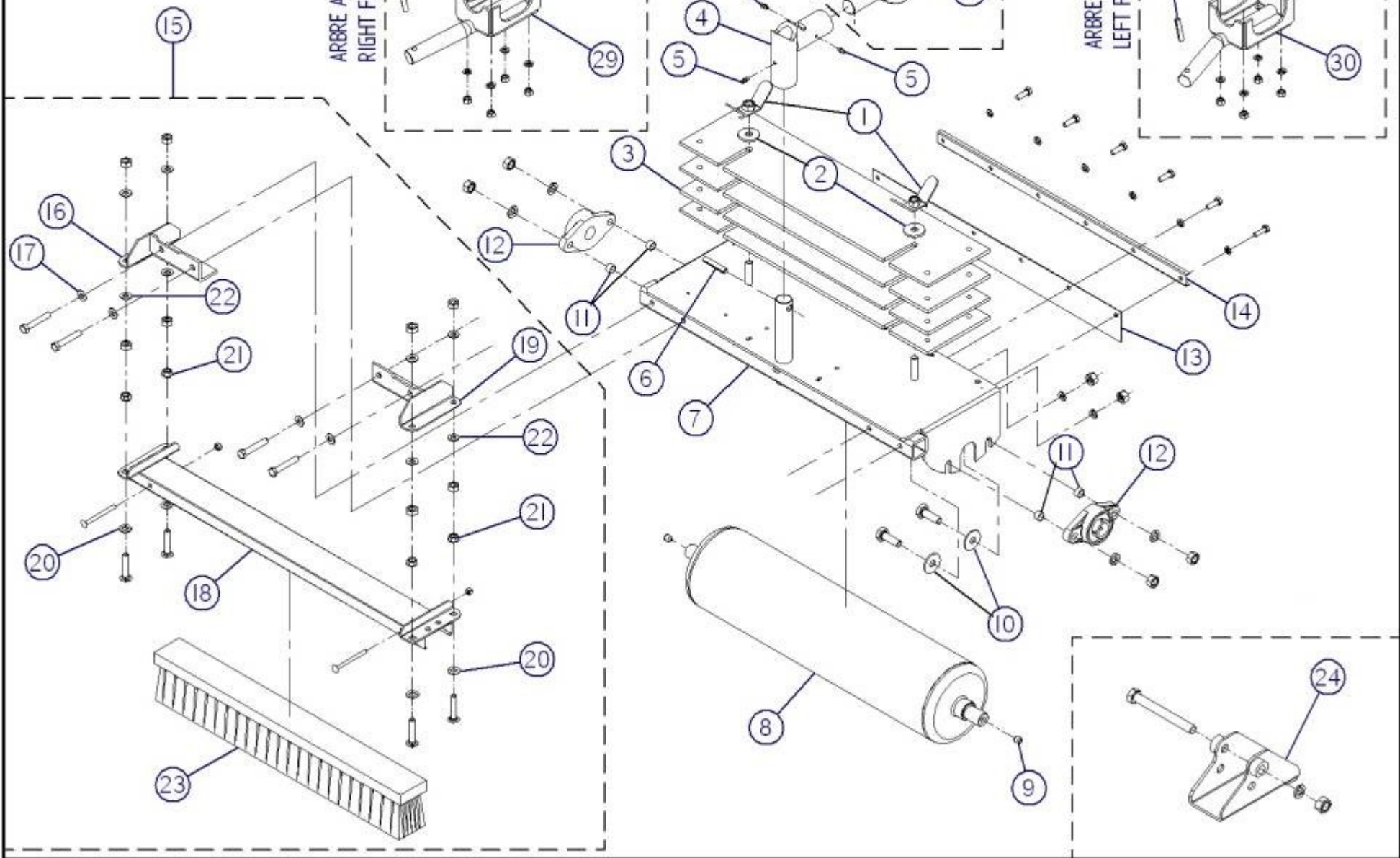
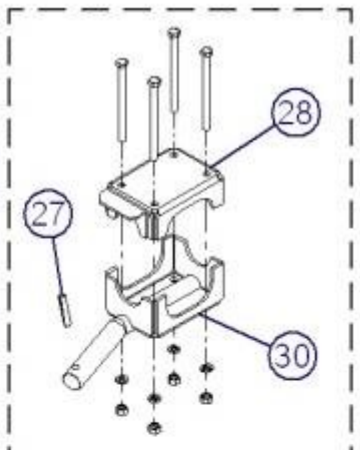
ARBRE AVANT DROIT
RIGHT FRONT AXLE



ARBRE ARRIERE
REAR AXLE



ARBRE AVANT GAUCHE
LEFT FRONT AXLE



GREEN ROLLER JD T2243

REF.	PART NO.	DESCRIPTION	QTE
1	40-50-0000	WING NUT	6
2	01-01-1660	FLAT WASHER 1 1/2 Dia. X Ø 33/64 X 11GA	6
3	40-04-0200	WEIGHT	12
4	40-50-0060	PIVOT 3/4" X 5° SLOTS 32°	3
5	NC01-69-0785	GREASE FITTING 1/4"-28 (STRAIGHT)	9
6	NC01-69-0507	SPRING PIN 3/8" X 2" LG	6
7	40-55-0020	BODY LEFT" STICKER INCLUDED" (JOHN DEER, TORO)	1
N/I	40-55-0025	BODY RIGHT" STICKER INCLUDED" (JOHN DEER, TORO)	1
N/I	40-55-0030	BODY REAR" STICKER INCLUDED" (JOHN DEER, TORO)	1
8	40-50-0020	ROLLER	3
9	NC02-44-0103	ALLENS SET SCREW 5/16"-18 X 3/8" LG	6
10	01-01-1660	FLAT WASHER 1 1/2 Dia. X Ø 33/64 X 11GA	12
11	NC13-80-0061	BUSHING 5/8" X 1/2" X 3/8"	12
12	01-38-0000	FLANGE BEARING UCFL 205-16 X Ø 1"	6
13	40-42-0400	PLASTIC SCRAPER	3
14	40-01-3005	SCRAPER HOLDER	3
15	40-55-0015	OPT.BRUSH KIT ASSY.	3
16	40-50-0030	LEFT L SUPPORT	3
17	01-01-2485	FLAT WASHER 13/16" Dia. X Ø 25/64" X 14GA	12
18	40-50-0025	BRUSH SUPPORT	3
19	40-50-0035	RIGHT L SUPPORT	3
20	40-22-2200	SHIM 7/8" X Dia. X Ø 25/64" X 14 GA	12
21	NC02-14-0019	FLANGE HEX. LOCKNUTS 3/8"-16 (GRADE B)	12
22	01-01-2485	FLAT WASHER 13/16" Dia. X Ø 25/64" X 14GA	24
23	NC13-80-0175	YELLOW NYLON BRUSH 2 1/2" LARGE 24" LG	3
24	40-50-0065	HYDRAULIC CYLINDER SUPPORT	2
25	40-50-0063	HORIZONTAL PIVOT	1
26	40-13-1405	VERTICAL PIVOT	1
27	NC01-69-0507	SPRING PIN 3/8" X 2" LG	3
28	40-50-0075	SUPERIOR SUPPORT	2
29	40-50-0070	RIGHT INFERIOR SUPPORT	1
30	40-50-0073	LEFT INFERIOR SUPPORT	1

N/I	40-58-0000	STICKER "KIT" (GREEN ROLLER JD T2500)	1
N/I	01-60-0005	STICKER AGRIMÉ TAL INC "SMALL"	6
N/I	40-60-0000	STICKER GAUCHE / LEFT...	1
N/I	40-60-0005	STICKER DROITE / RIGHT...	1
N/I	40-60-0010	STICKER ARRIERE / REAR...	1
N/I	NC13-33-0125	STICKER CAUTION (OPERATION MANUAL)	3