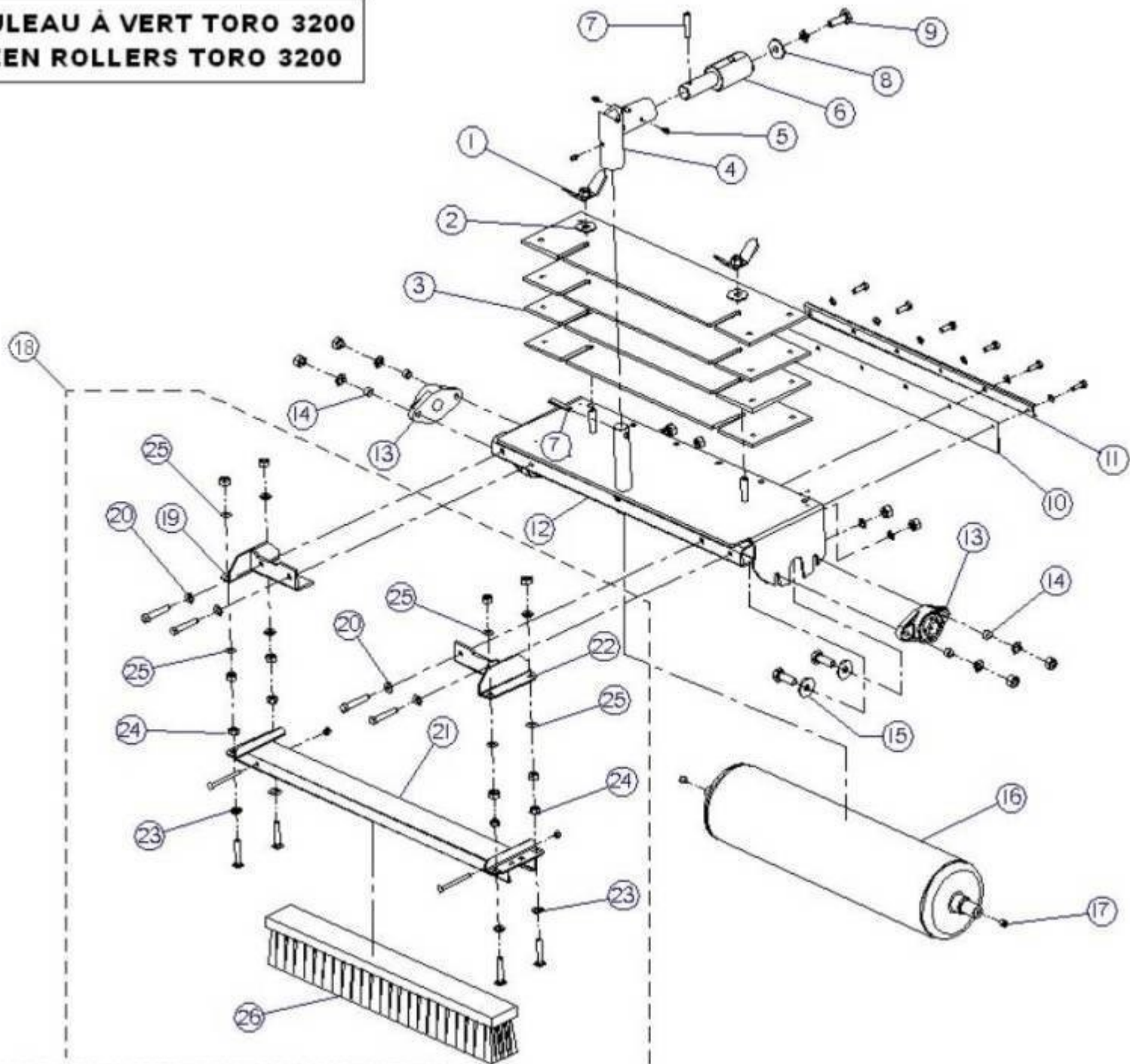


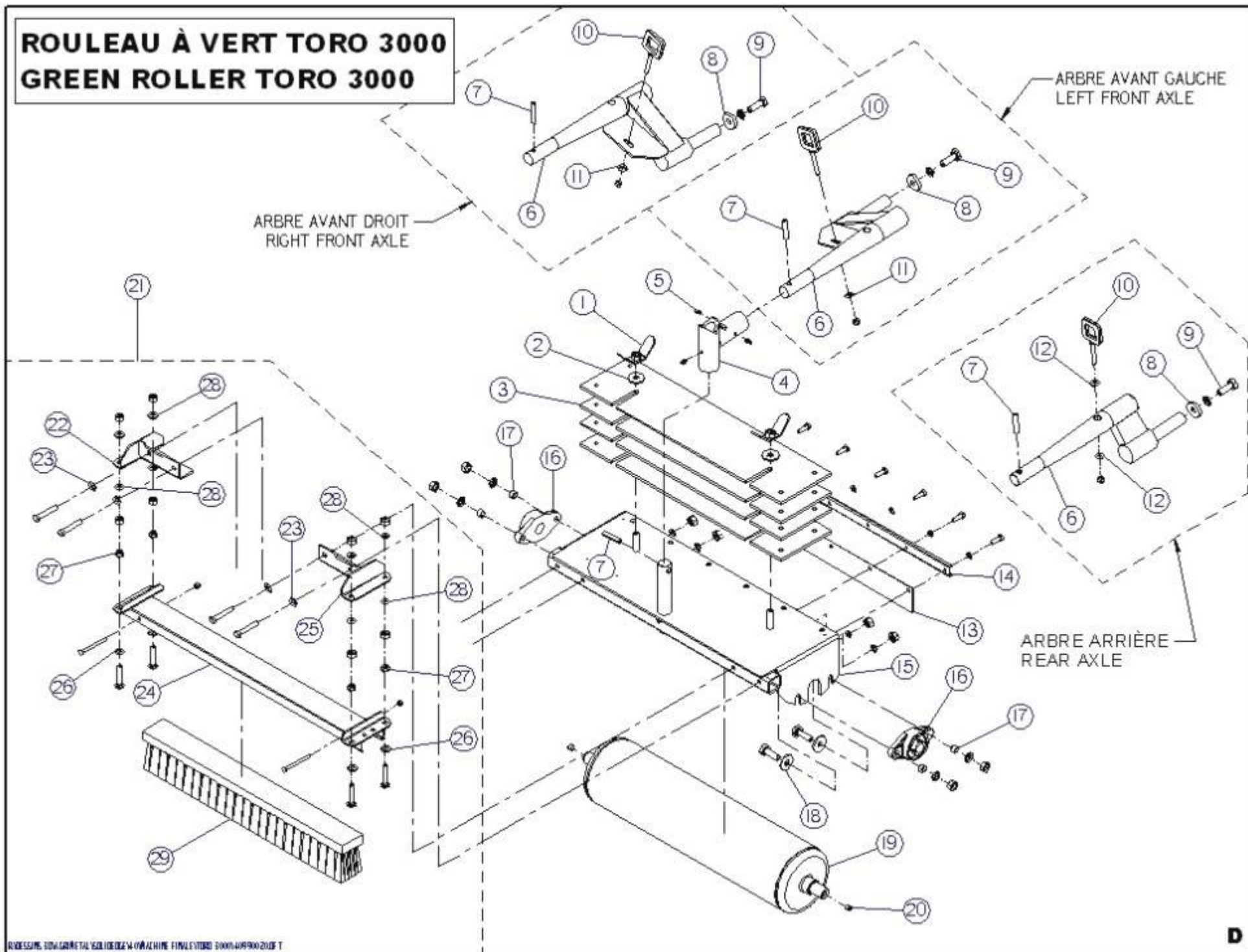
**ROULEAU À VERT TORO 3200**  
**GREEN ROLLERS TORO 3200**



## GREEN ROLLER TORO GM3200

REF.	PART NO.	DESCRIPTION	QTE
1	40-50-0000	WING NUT	6
2	01-01-1660	FLAT WASHER 1 1/2 Dia. X Ø 33/64 X 11GA	6
3	40-04-0200	WEIGHT	12
4	40-50-1010	PIVOT 1/2" X 90° SLOTS 32° (TORO 3200)	3
5	NC01-69-0785	GREASE FITTING 1/4"-28 (STRAIGHT)	9
6	40-13-2800	HORIZONTAL AXLE (TORO 3200)	3
7	NC01-69-0507	SPRING PIN 3/8" X 2" LG	6
8	40-04-0205	FLAT WASHER 1 1/2" DIA. X Ø 33/64" X 1/4"	3
9	NC01-29-0249	HEX.BOLT 1/2"-20 X 1 1/2 (GRADE 5)	3
10	40-42-0400	PLASTIC SCRAPER	3
11	40-01-3005	SCRAPER HOLDER	3
12	40-55-0020	BODY LEFT" STICKER INCLUDED" (JOHN DEER, TORO)	1
N/I	40-55-0025	BODY RIGHT" STICKER INCLUDED" (JOHN DEER, TORO)	1
N/I	40-55-0030	BODY REAR" STICKER INCLUDED" (JOHN DEER, TORO)	1
13	01-38-0000	FLANGE BEARING UCFL 205-16 X Ø 1"	6
14	NC13-80-0061	BUSHING 5/8" X 1/2" X 3/8"	12
15	01-01-1660	FLAT WASHER 1 1/2 Dia. X Ø 33/64 X 11GA	12
16	40-50-0020	ROLLER	3
17	NC02-44-0203	ALLEN 6 PANS 1/4-18 NPT	6
18	40-55-0015	OPT.BRUSH KIT ASSY.	3
19	40-50-0030	LEFT L SUPPORT	3
20	01-01-2485	FLAT WASHER 13/16" Dia. X Ø 25/64" X 14GA	12
21	40-50-0025	BRUSH SUPPORT	3
22	40-50-0035	RIGHT L SUPPORT	3
23	40-22-2200	SHIM 7/8" X Dia. X Ø 25/64" X 14 GA	12
24	NC02-14-0019	FLANGE HEX. LOCKNUTS 3/8"-16 (GRADE B)	12
25	01-01-2485	FLAT WASHER 13/16" Dia. X Ø 25/64" X 14GA	24
26	NC13-80-0175	YELLOW NYLON BRUSH 2 1/2` LARGE 24` LG	3
	-----		
N/I	40-58-0000	STICKER "KIT" (GREEN ROLLER JD T2500)	1
N/I	01-60-0005	STICKER AGRIMÉTAL INC "SMALL"	6
N/I	40-60-0000	STICKER GAUCHE / LEFT...	1
N/I	40-60-0005	STICKER DROITE / RIGHT...	1
N/I	40-60-0010	STICKER ARRIERE / REAR...	1
N/I	NC13-33-0125	STICKER CAUTION (OPERATION MANUAL)	3

**ROULEAU À VERT TORO 3000**  
**GREEN ROLLER TORO 3000**



## GREEN ROLLER TORO GM3000

REF.	PART NO.	DESCRIPTION	QTE
1	40-50-0000	WING NUT	6
2	01-01-1660	FLAT WASHER 1 1/2 Dia. X Ø 33/64 X 11GA	6
3	40-04-0200	WEIGHT	12
4	40-50-1015	PIVOT 1" X 4° SLOTS 50° (TORO 3000)	3
5	NC01-69-0785	GREASE FITTING 1/4"-28 (STRAIGHT)	9
6	40-50-1003	RIGHT LEFT FRONT HORIZONTAL AXLE	1
N/I	40-50-1001	LEFT FRONT HORIZONTAL AXLE	1
N/I	40-50-1006	REAR HORIZONTAL AXLE	1
7	NC01-69-0507	SPRING PIN 3/8" X 2" LG	6
8	40-04-0205	FLAT WASHER 1 1/2" DIA. X Ø 33/64" X 1/4"	3
9	NC01-29-0249	HEX.BOLT 1/2"-20 X 1 1/2 (GRADE 5)	3
10	40-50-1020	SQUARE EYE BOLT	3
11	21-01-0950	FLAT WASHER 1.005" Dia. X Ø 25/64"	2
12	01-01-2485	FLAT WASHER 13/16" Dia. X Ø 25/64" X 14GA	2
13	40-42-0400	PLASTIC SCRAPER	3
14	40-01-3005	SCRAPER HOLDER	3
15	40-55-0020	BODY LEFT" STICKER INCLUDED" (JOHN DEER, TORO)	1
N/I	40-55-0025	BODY RIGHT" STICKER INCLUDED" (JOHN DEER, TORO)	1
N/I	40-55-0030	BODY REAR" STICKER INCLUDED" (JOHN DEER, TORO)	1
16	01-38-0000	FLANGE BEARING UCFL 205-16 X Ø 1"	6
17	NC13-80-0061	BUSHING 5/8" X 1/2" X 3/8"	12
18	01-01-1660	FLAT WASHER 1 1/2 Dia. X Ø 33/64 X 11GA	12
19	40-50-0020	ROLLER	3
20	NC02-44-0203	ALLEN 6 PANS 1/4-18 NPT	6
21	40-55-0015	OPT.BRUSH KIT ASSY.	*
22	40-50-0030	LEFT L SUPPORT	3
23	01-01-2485	FLAT WASHER 13/16" Dia. X Ø 25/64" X 14GA	12
24	40-50-0025	BRUSH SUPPORT	3
25	40-50-0035	RIGHT L SUPPORT	3
26	40-22-2200	SHIM 7/8" X Dia. X Ø 25/64" X 14 GA	12
27	NC02-14-0019	FLANGE HEX. LOCKNUTS 3/8"-16 (GRADE B)	12
28	01-01-2485	FLAT WASHER 13/16" Dia. X Ø 25/64" X 14GA	24
29	NC13-80-0175	YELLOW NYLON BRUSH 2 1/2" LARGE 24" LG	3
	-----		
N/I	40-58-0000	STICKER "KIT" (GREEN ROLLER JD T2500)	1
N/I	01-60-0005	STICKER AGRIMÉ TAL INC "SMALL"	6
N/I	40-60-0000	STICKER GAUCHE / LEFT...	1
N/I	40-60-0005	STICKER DROITE / RIGHT...	1
N/I	40-60-0010	STICKER ARRIERE / REAR...	1
N/I	NC13-33-0125	STICKER CAUTION (OPERATION MANUAL)	3