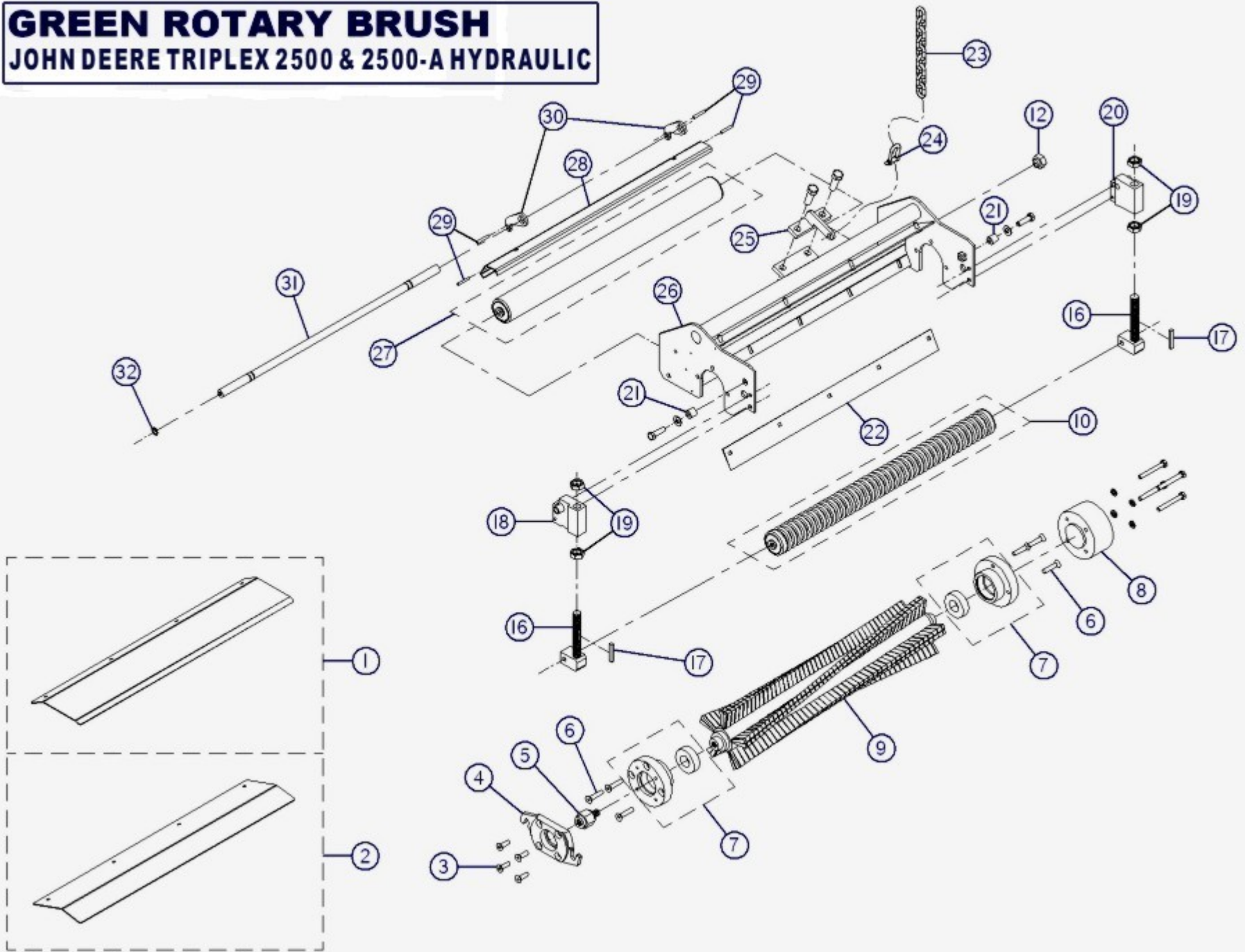


GREEN ROTARY BRUSH

JOHN DEERE TRIPLEX 2500 & 2500-A HYDRAULIC

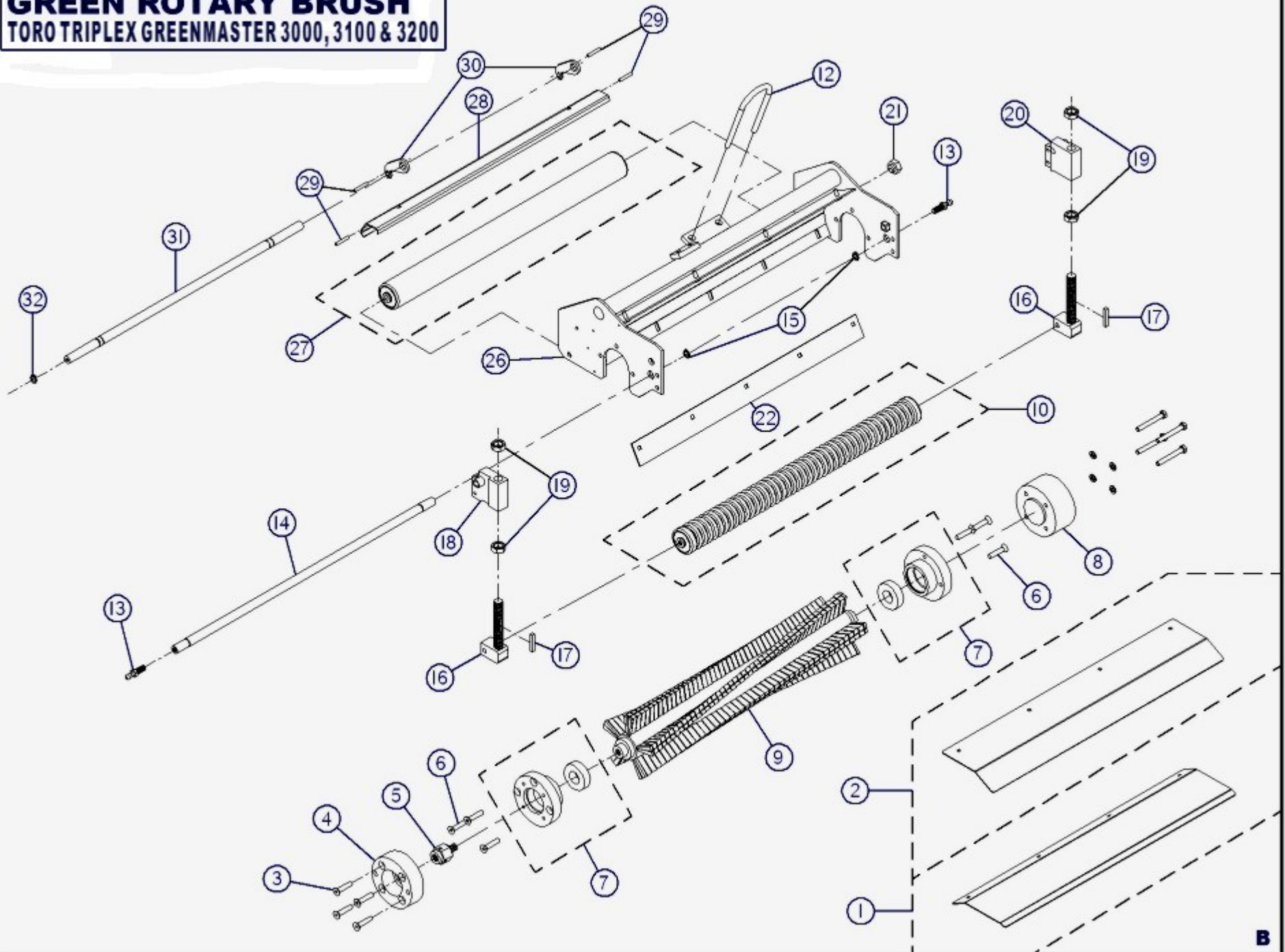


GREEN ROTARY BRUSH JOHN DEERE TRIPLEX 2500

REF.	PART NO.	DESCRIPTION	QTE
1	41-57-0080	SAND DEFLECTOR "STICKER INCLUDED"	3
2	41-57-0085	DEBRIES DEFLECTOR "STICKER INCLUDED"	3
3	NC02-48-0021	HEX-SOCKET CAP SCREW 5/16"-18 X 1" LG	12
4	41-21-0205	HYDRAULIC MOTOR SUPPORT	3
5	41-50-0025	HYDRAULIC MOTOR COUPLING 1/2"-13	2
N/I	41-50-0030	HYDRAULIC MOTOR COUPLING 7/16"-14	1
6	NC02-48-0023	HEX-SOCKET CAP SCREW 5/16"-18 X 1 1/2" LG	18
7	41-55-0045	BRUSH BEARING FLANGE ASSY.	6
N/I	NC14-75-0070	BALL BEARING 6205-2RS X Ø 1"	6
N/I	NC01-64-0159	RETAINING RING 2 1/16"	6
8	41-13-4100	COUNTERWEIGHT	3
9	41-55-0050	BRUSH ASSY.	3
10	41-55-0040	GROOVE ROLLER ASSY.	3
N/I	41-13-2805	GROOVED ROLLER ONLY	3
N/I	NC14-75-0110	BEARING (R12 2RS)	6
N/I	NC13-80-0224	OIL SEAL .250 X 3/4" X 1.630	6
N/I	41-13-1500	SHOLDER BEARING	6
N/I	NC01-64-0011	RETAINING RINGS 3/4" Dia.	6
12	41-25-2425	OUTLYING NUT	3
16	41-50-0010	ROLLER HOLDER	6
17	NC01-65-0091	SQUARE KEY 3/16 X 3/16 X 1 1/4" LG	6
18	41-50-0020	LEFT SIDE AJUSTMENT ALUMINIUM BLOC	3
19	NC02-01-0006	HEX NUT. 5/8"-11	12
20	41-50-0015	RIGHT SIDE AJUSTMENT ALUMINIUM BLOC	3
21	41-13-0810	LIFTING HOOK BUSHING	6
22	41-42-0400	ADJUSTABLE BRUSH DEFLECTOR	3
23	41-41-0005	LIFTING CHAIN	3
24	NC13-80-0222	1/4 TON ANCOR LINK	3
25	41-50-0005	LIFTING CHAIN HOLDER	3
26	41-50-0000	GREEN ROTARY BRUSH FRAME	3
27	41-55-0035	SMOOTH ROLLER ASSY.	3
N/I	41-09-1000	ONLY POLISH ROLLER	3
N/I	NC14-75-0110	BEARING (R12 2RS)	6
N/I	NC13-80-0224	OIL SEAL .250 X 3/4" X 1.630	6
N/I	41-13-1015	ONLY ROLLER SHAFT	3
N/I	NC01-64-0011	RETAINING RINGS 3/4" Dia.	6
28	41-01-2405	ROLLER SCRAPPER	3
29	NC01-69-0423	SPRING PIN 3/16" X 1 1/4" LG	12
30	41-04-0020	SCRAPER HOLDER	6
31	41-13-0800	SMOOTH SCRAPPER SHAFT	3
32	NC01-64-0008	RETAINING RINGS 5/8" Dia.	12

N/I	40-58-0000	STICKER "KIT" (GREEN ROLLER JD T2500)	1
N/I	01-60-0005	STICKER AGRIMÉTAL INC "SMALL"	6
N/I	40-60-0000	STICKER GAUCHE / LEFT...	1
N/I	40-60-0005	STICKER DROITE / RIGHT...	1
N/I	40-60-0010	STICKER ARRIERE / REAR...	1
N/I	NC13-33-0125	STICKER CAUTION (OPERATION MANUAL)	3

GREEN ROTARY BRUSH
TORO TRIPLEX GREENMASTER 3000, 3100 & 3200



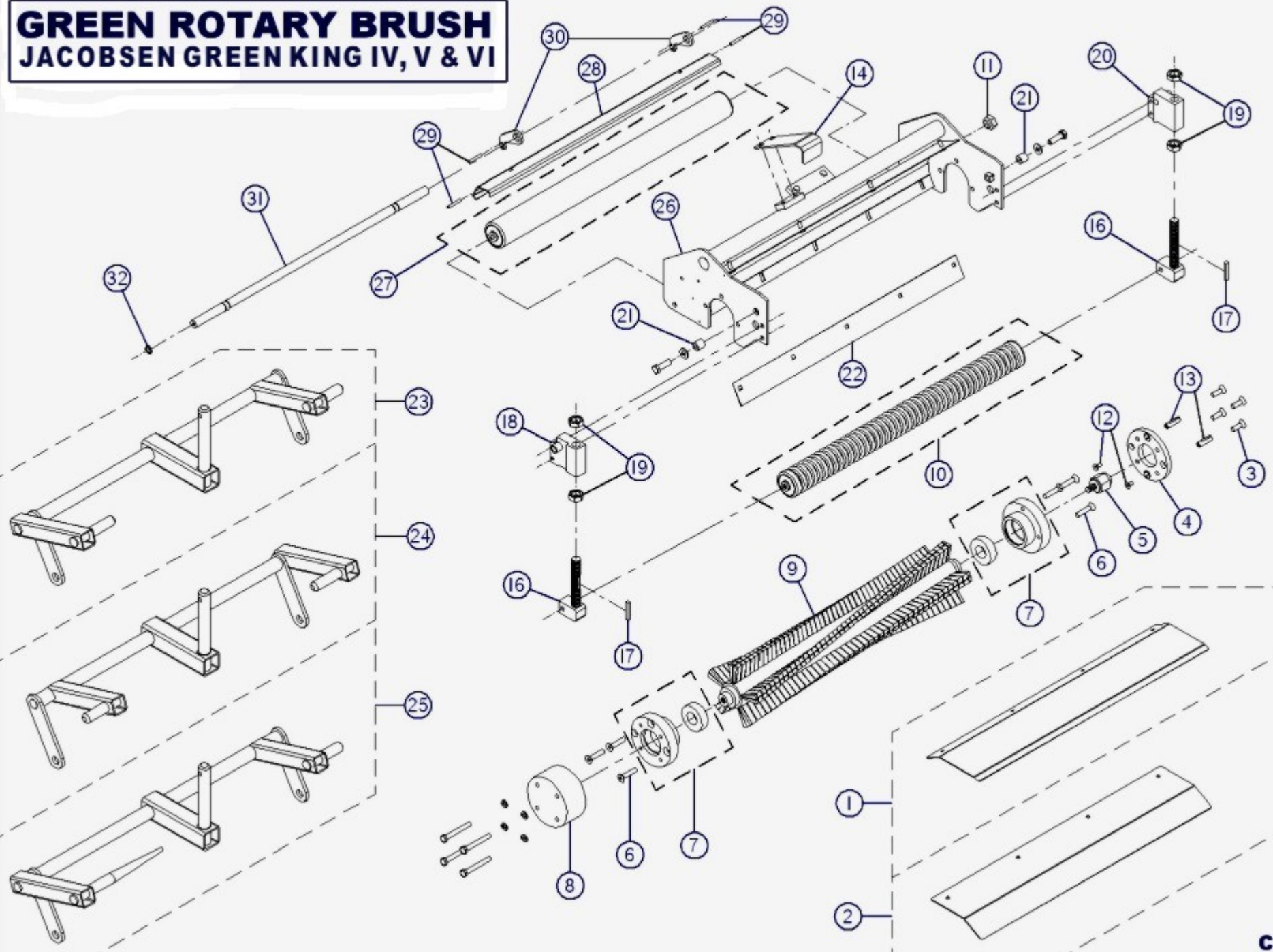
GREEN ROTARY BRUSH TORO

REF.	PART NO.	DESCRIPTION	QTE
1	41-57-0080	SAND DEFLECTOR "STICKER INCLUDED"	3
2	41-57-0085	DEBRIES DEFLECTOR "STICKER INCLUDED"	3
3	NC02-48-0023	HEX-SOCKET CAP SCREW 5/16"-18 X 1 1/2" LG	12
4	41-21-0005	HYDRAULIC MOTOR SUPPORT	3
5	41-50-0025	HYDRAULIC MOTOR COUPLING 1/2"-13	3
6	NC02-48-0023	HEX-SOCKET CAP SCREW 5/16"-18 X 1 1/2" LG	18
7	41-55-0045	BRUSH BEARING FLANGE ASSY.	6
N/I	NC14-75-0070	BALL BEARING 6205-2RS X Ø 1"	6
N/I	NC01-64-0159	RETAINING RING 2 1/16"	6
8	41-13-4100	COUNTERWEIGHT	3
9	41-55-0050	BRUSH ASSY.	3
10	41-55-0040	GROOVE ROLLER ASSY.	3
N/I	41-13-2805	GROOVED ROLLER ONLY	3
N/I	NC14-75-0110	BEARING (R12 2RS)	6
N/I	NC13-80-0224	OIL SEAL .250 X 3/4" X 1.630	6
N/I	41-13-1500	SHOLDER BEARING	6
N/I	NC01-64-0011	RETAINING RINGS 3/4" Dia.	6
12	41-13-0400	LIFTING HOOK	3
13	41-25-2420	MALE COUPLING	6
14	41-13-0805	MALE COUPLING SUPPORT	3
15	NC01-64-0008	RETAINING RINGS 5/8" Dia.	6
16	41-50-0010	ROLLER HOLDER	6
17	NC01-65-0091	SQUARE KEY 3/16 X 3/16 X 1 1/4" LG	6
18	41-50-0020	LEFT SIDE AJUSTMENT ALUMINIUM BLOC	3
19	NC02-01-0006	HEX NUT. 5/8"-11	12
20	41-50-0015	RIGHT SIDE AJUSTMENT ALUMINIUM BLOC	3
21	41-25-2425	OUTLYING NUT	3
22	41-42-0400	ADJUSTABLE BRUSH DEFLECTOR	3
26	41-50-0000	GREEN ROTARY BRUSH FRAME	3
27	41-55-0035	SMOOTH ROLLER ASSY.	3
N/I	41-09-1000	ONLY POLISH ROLLER	3
N/I	NC14-75-0110	BEARING (R12 2RS)	6
N/I	NC13-80-0224	OIL SEAL .250 X 3/4" X 1.630	6
N/I	41-13-1015	ONLY ROLLER SHAFT	3
N/I	NC01-64-0011	RETAINING RINGS 3/4" Dia.	6
28	41-01-2405	ROLLER SCRAPPER	3
29	NC01-69-0423	SPRING PIN 3/16" X 1 1/4" LG	12
30	41-04-0020	SCRAPER HOLDER	6
31	41-13-0800	SMOOTH SCRAPPER SHAFT	3
32	NC01-64-0008	RETAINING RINGS 5/8" Dia.	12

N/I	40-58-0000	STICKER "KIT" (GREEN ROLLER JD T2500)	1
N/I	01-60-0005	STICKER AGRIMÉTAL INC "SMALL"	6
N/I	40-60-0000	STICKER GAUCHE / LEFT...	1
N/I	40-60-0005	STICKER DROITE / RIGHT...	1
N/I	40-60-0010	STICKER ARRIERE / REAR...	1
N/I	NC13-33-0125	STICKER CAUTION (OPERATION MANUAL)	3

GREEN ROTARY BRUSH

JACOBSEN GREEN KING IV, V & VI



GREEN ROTARY BRUSH JACOBSEN

REF.	PART NO.	DESCRIPTION	QTE
1	41-57-0080	SAND DEFLECTOR "STICKER INCLUDED"	3
2	41-57-0085	DEBRIES DEFLECTOR "STICKER INCLUDED"	3
3	NC02-48-0021	HEX-SOCKET CAP SCREW 5/16"-18 X 1" LG	12
4	41-21-0010	HYDRAULIC MOTOR SUPPORT	3
5	41-50-0030	HYDRAULIC MOTOR COUPLING 7/16"-14	3
6	NC02-48-0023	HEX-SOCKET CAP SCREW 5/16"-18 X 1 1/2" LG	18
7	41-55-0045	BRUSH BEARING FLANGE ASSY.	6
N/I	NC14-75-0070	BALL BEARING 6205-2RS X Ø 1"	6
N/I	NC01-64-0159	RETAINING RING 2 1/16"	6
8	41-13-4100	COUNTERWEIGHT	3
9	41-55-0050	BRUSH ASSY.	3
10	41-55-0040	GROOVE ROLLER ASSY.	3
N/I	41-13-2805	GROOVED ROLLER ONLY	3
N/I	NC14-75-0110	BEARING (R12 2RS)	6
N/I	NC13-80-0224	OIL SEAL .250 X 3/4" X 1.630	6
N/I	41-13-1500	SHOLDER BEARING	6
N/I	NC01-64-0011	RETAINING RINGS 3/4" Dia.	6
11	41-25-2425	OUTLYING NUT	3
12	NC02-48-0074	HEX-SOCKET CAP SCREW 1/4"-28 X 1/2" LONG	6
13	41-21-0015	HYDRAULIC MOTOR SUPPORT ROD	6
14	41-01-0900	SUPPORT STOPPER	3
16	41-50-0010	ROLLER HOLDER	6
17	NC01-65-0091	SQUARE KEY 3/16 X 3/16 X 1 1/4" LG	6
18	41-50-0020	LEFT SIDE AJUSTMENT ALUMINIUM BLOC	3
19	NC02-01-0006	HEX NUT. 5/8"-11	12
20	41-50-0015	RIGHT SIDE AJUSTMENT ALUMINIUM BLOC	3
21	41-13-0810	LIFTING HOOK BUSHING	6
22	41-42-0400	ADJUSTABLE BRUSH DEFLECTOR	3
23	41-50-1000	LIFTING SUPPORT (LEFT)	1
24	41-50-1010	LIFTING SUPPORT (RIGHT)	1
25	41-50-1005	LIFTING SUPPORT (REAR)	1
26	41-50-0000	GREEN ROTARY BRUSH FRAME	3
27	41-55-0035	SMOOTH ROLLER ASSY.	3
N/I	41-09-1000	ONLY POLISH ROLLER	3
N/I	NC14-75-0110	BEARING (R12 2RS)	6
N/I	NC13-80-0224	OIL SEAL .250 X 3/4" X 1.630	6
N/I	41-13-1015	ONLY ROLLER SHAFT	3
N/I	NC01-64-0011	RETAINING RINGS 3/4" Dia.	6
28	41-01-2405	ROLLER SCRAPPER	3
29	NC01-69-0423	SPRING PIN 3/16" X 1 1/4" LG	12
30	41-04-0020	SCRAPER HOLDER	6
31	41-13-0800	SMOOTH SCRAPPER SHAFT	3
32	NC01-64-0008	RETAINING RINGS 5/8" Dia.	12

N/I	40-58-0000	STICKER "KIT" (GREEN ROLLER JD T2500)	1
N/I	01-60-0005	STICKER AGRIMÉTAL INC "SMALL"	6
N/I	40-60-0000	STICKER GAUCHE / LEFT...	1
N/I	40-60-0005	STICKER DROITE / RIGHT...	1
N/I	40-60-0010	STICKER ARRIERE / REAR...	1
N/I	NC13-33-0125	STICKER CAUTION (OPERATION MANUAL)	3