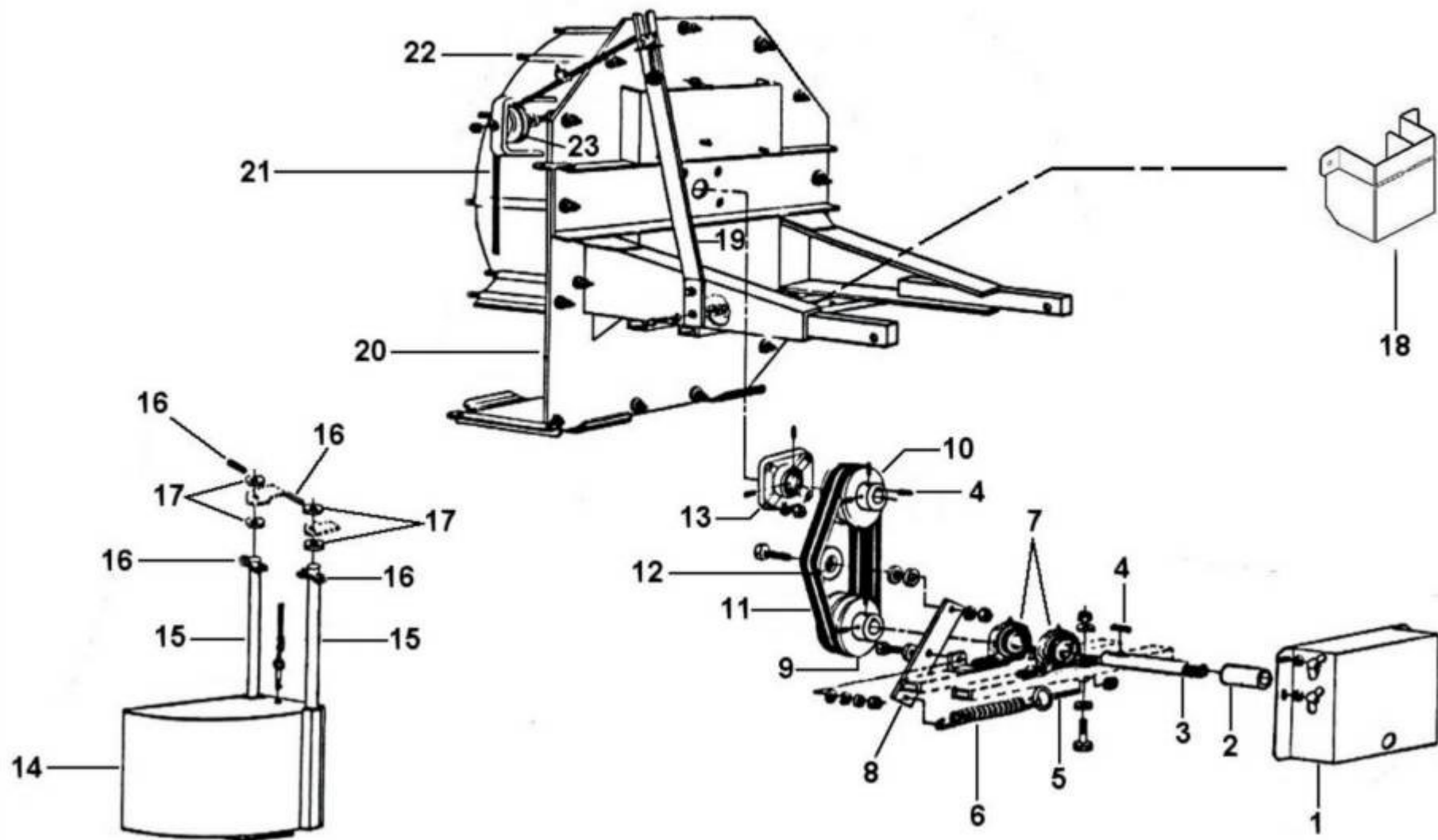


BW 240 Kubota F-2000

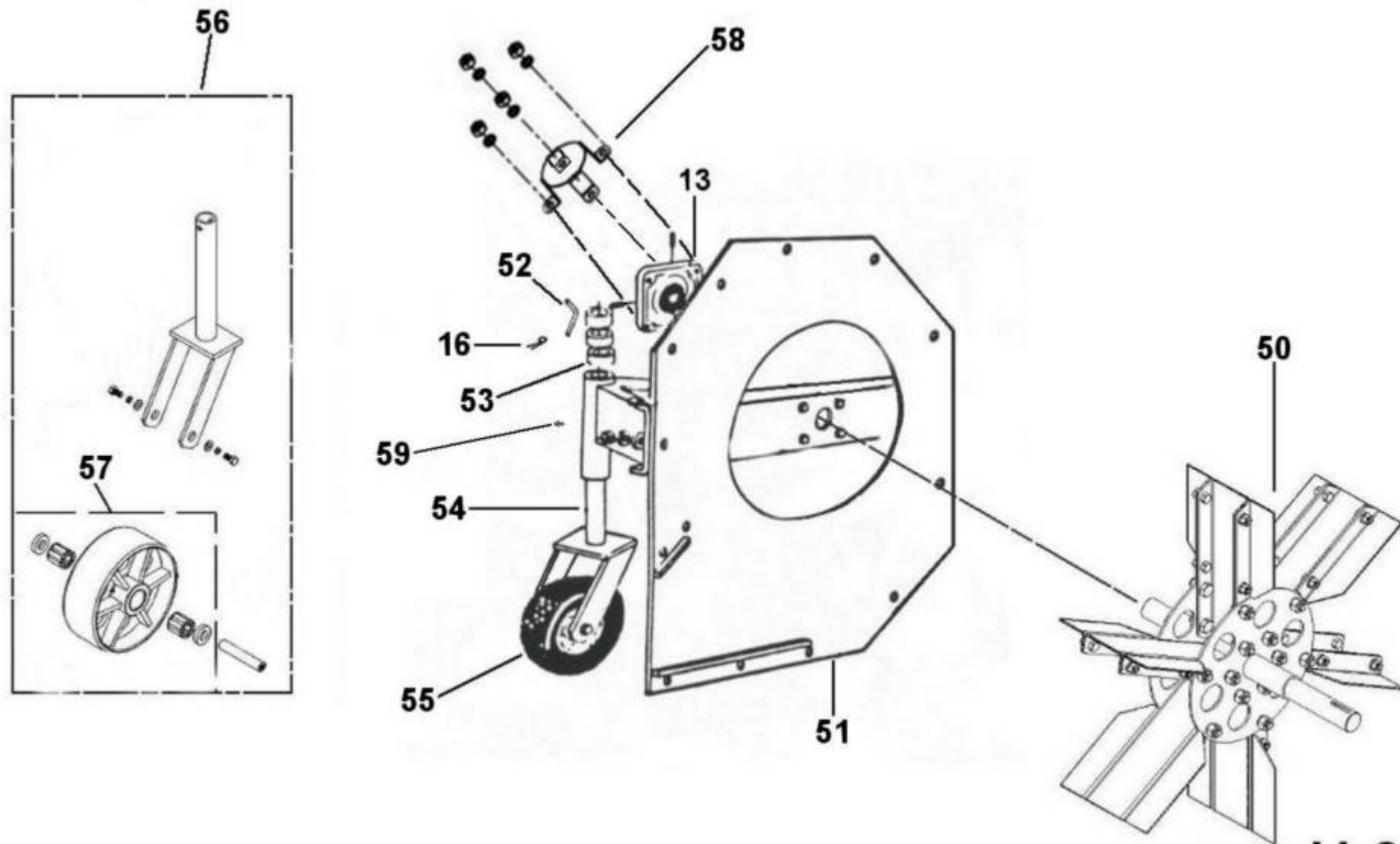


B.W. 240 KUBOTA F-2000

REF.	PART NO.	DESCRIPTION	QTE
1	12-55-1510	BELT GUARD (STICKER INCLUDED)	1
2	12-42-0015	GUARD FOR INPUT SHAFT 1" D.I. X 3 3/8" LG	1
3	12-20-0105	DRIVE SHAFT (SPLINE) 1" Dia. X 10" LG (STANDARD)	1
N/I	12-20-0110	DRIVE SHAFT (SPLINE) 1" Dia. X 13 1/2" LG (SPECIAL)	1
N/I	12-20-0125	DRIVE SHAFT (SPLINE) 1" Dia. X 15" LG (SPÉCIAL)	1
4	01-41-0910	SQUARE KEY 1/4" X 1/4" X 1 1/2" LG	2
5	NC01-52-0014	EYE BOLT 3/8"-16 X 5" LG	1
6	NC13-85-0014	SPRING 1" DIA. X 9" LG	1
7	NC14-75-0033	PILLOW BLOC BEARING	2
8	12-05-2010	BELT TIGHTENER	1
9	NC14-62-0073	PULLEY 2MB50 X Ø 1" KW 1/4" 2SS 5/16"-18	1
10	NC14-62-0075	PULLEY 2MB50 X Ø 1 1/4" KW 1/4" 2SS 5/16"	1
11	NC14-25-0894	V-BELT 6933 (5/8" X 33")	2
12	03-55-0045	IDLER PULLEY 3" Dia. X 1 3/4" LG ASSY.	1
N/I	03-21-0005	IDLER PULLEY ALUMINIUM ONLY	1
N/I	NC14-75-0068	BEARING #99502H	2
N/I	NC13-80-0061	BUSHING 5/8" X 1/2" X 3/8"	2
N/I	NC01-64-0142	RETAINING RINGS INTERNAL FOR Ø 1 3/8"	1
13	12-38-0001	FLANGE BEARING 4 Ø UCF 207-20 X Ø 1 1/4" (GREASE FITTING 1/4"-28)	2
14	12-55-1515	DEFLECTOR LEFT "STICKER INCLUDED"	1
15	12-13-0600	SLIDE FOR CHUTE 1/2" Dia. X 22" LG	2
16	NC01-63-0015	HITCH PIN CLIPS 1/8" X 2 5/8" LG	5
17	NC02-25-0011	FLAT WASHER Ø 17/32"	4
18	12-55-1520	PTO SHAFT GUARD "STICKER INCLUDED"	1
19	12-50-1035	CABLE SQUEEZER SUPPORT	1
20	12-50-3000	CASING	1
21	NC17-02-0138	CABLE 45 1/4" LG ASSY.	1
22	12-13-1015	UNION FOR CASING AND COVER 3/4" Dia. X 11" LG	14
23	12-42-0100	U.H.M.W. IDLER PULLEY 4" Dia. X 1 1/4" THICK	1
N/I	12-09-0100	BUSHING 3/4" Dia. X Ø 1/2" X 1 5/16" LG	1

N/I	12-51-0015	TURF ROLLER BRACKETS LEFT	1
N/I	12-51-0017	TURF ROLLER BRACKETS RIGH	1
N/I	12-13-1035	SHAFT 3/4" Dia. X 20" LG	1
N/I	12-55-1050	TURF ROLLER ASSY.	1
N/I	12-11-3520	TURF ROLLER ONLY 4" Dia. X 14 7/8" LG	1
N/I	12-42-0020	NYLON CAP 4" Dia. X 4" LG	2
N/I	NC01-63-0026	HITCH PIN CLIPS 5/32" X 3" LG	1

BW 240 Kubota F-2000



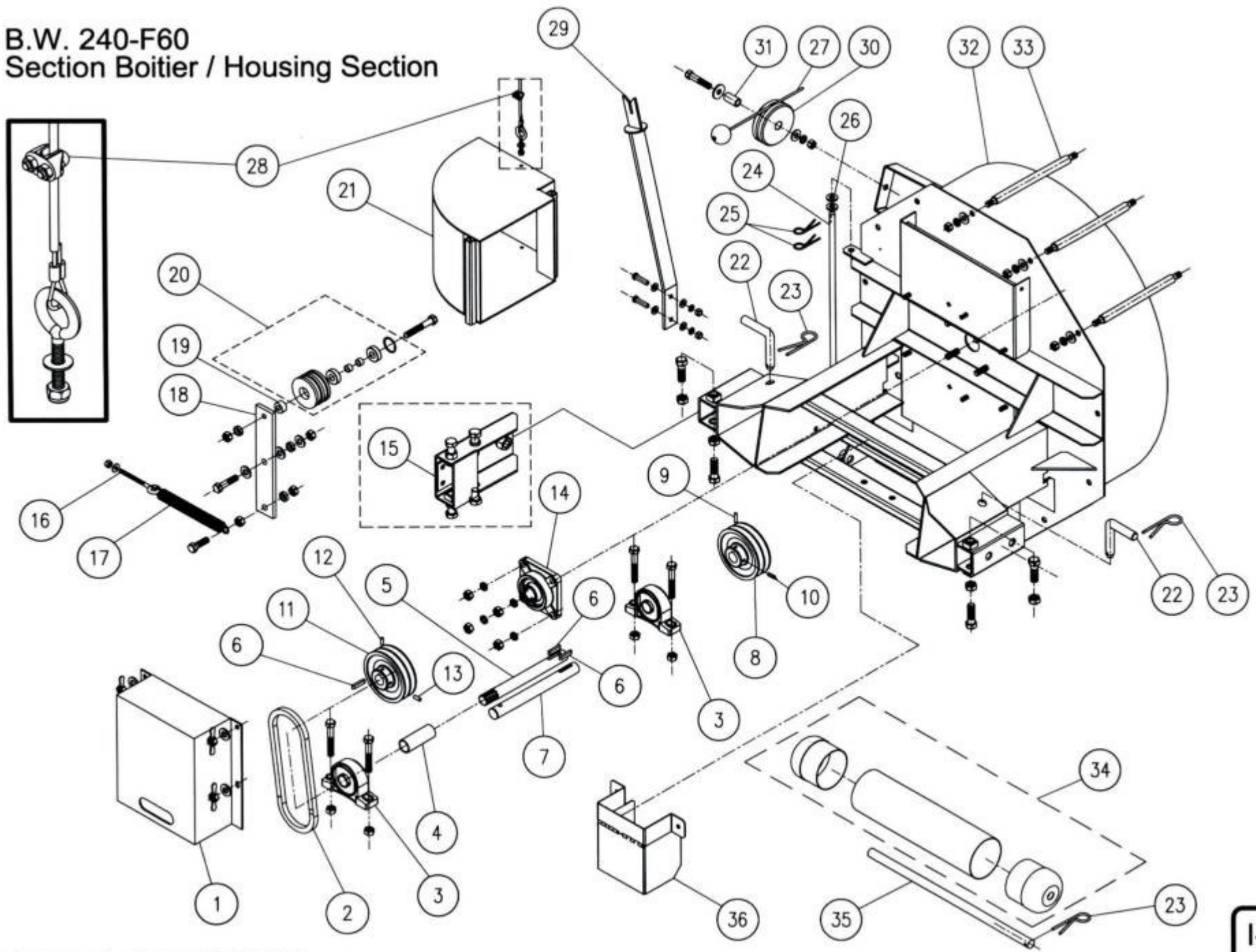
B.W. 240 KUBOTA F-2000

REF.	PART NO.	DESCRIPTION	QTE
13	12-38-0001	FLANGE BEARING 4 Ø UCF 207-20 X Ø 1 1/4" (GREASE FITTING 1/4"-28)	2
16	NC01-63-0015	HITCH PIN CLIPS 1/8" X 2 5/8" LG	5
50	12-50-3010	IMPELLER	1
51	12-50-3005	COVER	1
52	12-30-9950	PIN 1/2" X 6" LG	1
53	12-10-0800	BUSHING 2 3/8" X 2" X 1" LG	3
54	12-55-1066	BEFORE -07/01 #21920- SWIVEEL WHEEL CASTER ASSY. (MODEL OLD)	1
N/I	12-55-2555	SWIVEL CASTER "STICKER INCLUDED"	1
N/I	NC14-70-0024	BEFORE -07/01 #21920- WHEEL 12 Dia. ASSY.	1
N/I	12-13-1405	BEFORE -07/01 #21920- WHEEL AXLE 1" Dia. X 5 5/8" LG	1
N/I	04-42-0135	BEFORE -07/01 #21920- AXLE BUSHING 2" Dia. X 7/8" LG	2
N/I	NC01-17-0247	BEFORE -07/01 #21920- HEX.BOLT 1/2"-13 X 1" LG (GRADE 2)	2
N/I	NC02-32-0014	BEFORE -07/01 #21920- LOCK WASHER Ø 1/2"	2
N/I	NC02-22-0012	BEFORE -07/01 #21920- FLAT WASHER ORD. Ø 9/16"	2
55	NC14-70-0024	BEFORE -07/01 #21920- WHEEL 12 Dia. ASSY.	1
N/I	NC14-70-0047	BEFORE -07/01 #21920- TIRE	1
N/I	NC14-70-0037	BEFORE -07/01 #21920- RIM	1
N/I	NC14-70-0028	BEFORE -07/01 #21920- TUBE	1
N/I	NC14-70-0027	BEFORE -07/01 #21920- ROLLER BEARING	1
N/I	04-13-3400	BEFORE -07/01 #21920- SHOULDER BUSHING 2 3/8" Dia. X Ø 1 1/64" X 1/2" LG	2
56	12-55-1067	AFTER -07/01 #21920- SWIVEEL WHEEL CASTER ASSY. (MODEL NEW 2001)	1
N/I	12-55-2555	SWIVEL CASTER "STICKER INCLUDED"	1
N/I	12-55-0049	AFTER -07/01 #21920- U.H.M.W. BLACK WHEEL ASSY.	1
N/I	12-13-1405	AFTER -07/01 #21920- WHEEL AXLE 1" Dia. X 5 5/8" LG	1
N/I	NC01-17-0247	AFTER -07/01 #21920- HEX.BOLT 1/2"-13 X 1" LG (GRADE 2)	2
N/I	NC02-32-0014	AFTER -07/01 #21920- LOCK WASHER Ø 1/2"	2
N/I	NC02-22-0012	AFTER -07/01 #21920- FLAT WASHER ORD. Ø 9/16"	2
57	12-55-0049	AFTER -07/01 #21920- U.H.M.W. BLACK WHEEL ASSY.	1
N/I	12-55-0048	AFTER -07/01 #21920- U.H.M.W. BLACK WHEEL	1
N/I	NC14-70-0027	AFTER -07/01 #21920- ROLLER BEARING	2
N/I	12-42-0105	AFTER -07/01 #21920- PLASTIC WHEEL BUSHING (2" DIA. X .420" LG)	2
N/I	NC01-69-0785	AFTER -07/01 #21920- GREASE FITTING 1/4"-28 (STRAIGHT)	2
58	12-01-3051	BEARING PROTECTOR (BW 240)	1
59	NC01-69-0785	GREASE FITTING 1/4"-28 (STRAIGHT)	1

STICKER B.W. 240 KUBOTA F-2000

REF.	PART NO.	DESCRIPTION	QTE
N/I	12-58-1001	STICKER KIT (BW 240 ALL MODELS)	1
N/I	01-60-0005	STICKER AGRIMÉ TAL INC "SMALL"	2
N/I	01-60-0070	STICKER WARNING MISSING SHIELD HAZARD...	1
N/I	01-60-0115	STICKER WARNING ROTATING PART HAZARD...	1
N/I	03-60-0005	STICKER GREASE GUN	2
N/I	06-60-0000	STICKER AGRIMÉ TAL INC "MEDIUM"	2
N/I	01-60-0125	STICKER WARNING KEEP ALL GUARDS AND SHIELDS IN PLACE...	1
N/I	NC13-33-0108	STICKER CAUTION / READ OPERATOR'S MANUAL BEFORE STARTING...	1
N/I	NC13-33-0112	STICKER DANGER BLOWER BLADE HAZARD...	2
N/I	NC13-33-0110	STICKER DANGER THROWN OBJECT HAZARD...	3

B.W. 240-F60 Section Boitier / Housing Section

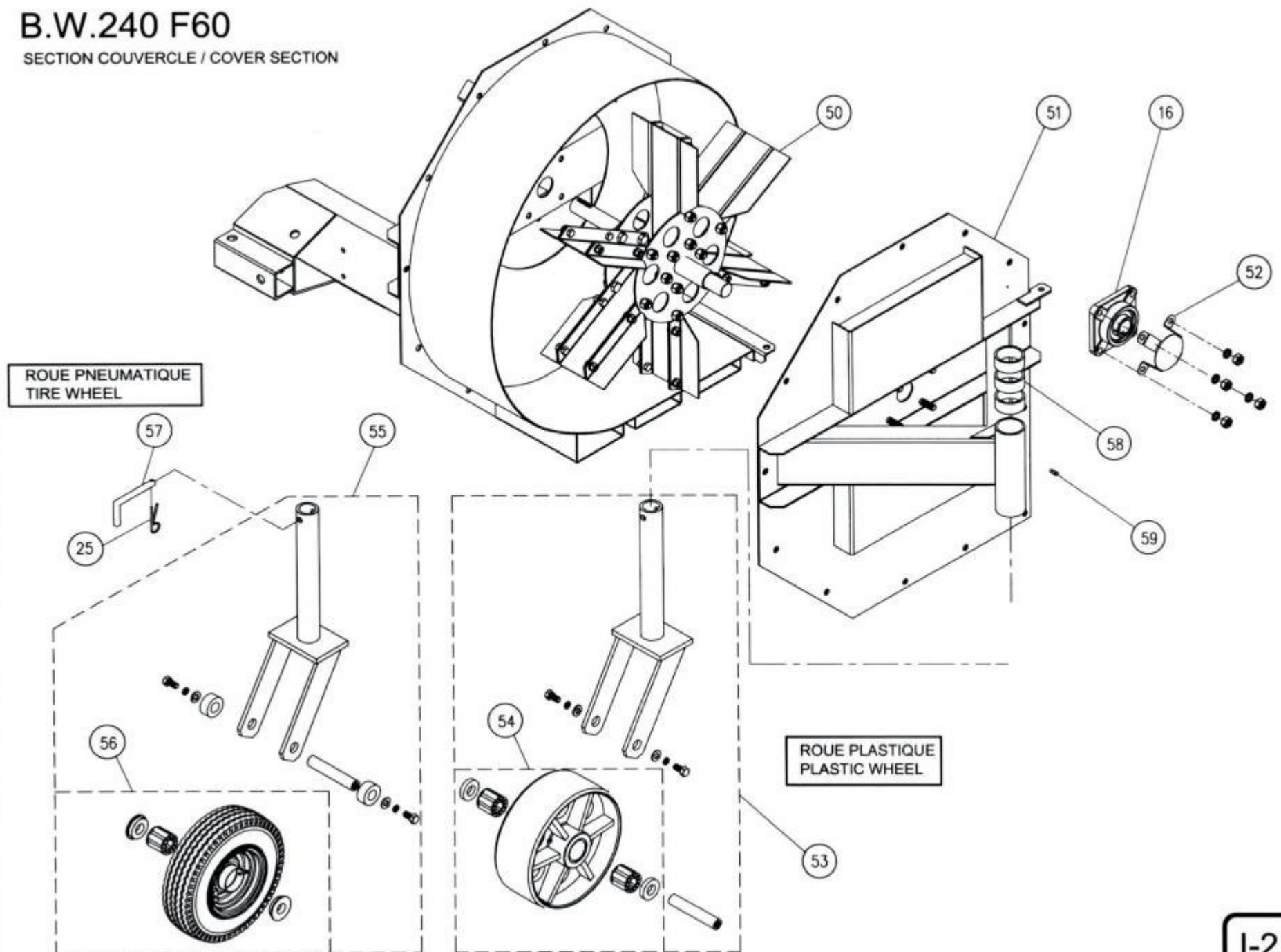


B.W. 240 KUBOTA F-60

REF.	PART NO.	DESCRIPTION	QTE
1	12-55-1510	BELT GUARD (STICKER INCLUDED)	1
2	NC14-25-0894	V-BELT 6933 (5/8" X 33")	2
3	NC14-75-0033	PILLOW BLOC BEARING	2
4	12-42-0015	GUARD FOR INPUT SHAFT 1" D.I. X 3 3/8" LG	1
5	12-20-0130	DRIVE SHAFT 1" Dia. X 10" LG	1
6	01-41-0910	SQUARE KEY 1/4" X 1/4" X 1 1/2" LG	2
7	12-20-0146	DRIVE SHAFT 1" DIA. X 10" LG (F60 SPÉCIAL OPTION)	1
8	NC14-62-0073	PULLEY 2MB50 X Ø 1" KW 1/4" 2SS 5/16"-18	1
9	NC02-44-0103	ALLENS SET SCREW 5/16"-18 X 3/8" LG	1
10	NC02-44-0103	ALLENS SET SCREW 5/16"-18 X 3/8" LG	1
11	NC14-62-0075	PULLEY 2MB50 X Ø 1 1/4" KW 1/4" 2SS 5/16"	1
12	NC02-44-0103	ALLENS SET SCREW 5/16"-18 X 3/8" LG	1
13	NC02-44-0103	ALLENS SET SCREW 5/16"-18 X 3/8" LG	1
14	12-38-0001	FLANGE BEARING 4 Ø UCF 207-20 X Ø 1 1/4" (GREASE FITTING 1/4"-28)	2
15	12-55-3010	LEVER SUPPORT ADAPTOR (OPTION F-60-SPECIAL)	2
16	NC01-52-0014	EYE BOLT 3/8"-16 X 5" LG	1
17	NC13-85-0014	SPRING 1" DIA. X 9" LG	1
18	12-05-2010	BELT TIGHTENER	1
19	12-09-1200	BUSHING 1" X 1/2" X 1/2" LONG	1
20	03-55-0045	IDLER PULLEY 3" Dia. X 1 3/4" LG ASSY.	1
N/I	03-21-0005	IDLER PULLEY ALUMINIUM ONLY	1
N/I	NC14-75-0068	BEARING #99502H	2
N/I	NC13-80-0061	BUSHING 5/8" X 1/2" X 3/8"	2
N/I	NC01-64-0142	RETAINING RINGS INTERNAL FOR Ø 1 3/8"	1
21	12-55-1515	DEFLECTOR LEFT "STICKER INCUDED"	1
22	12-13-1040	HITCH PIN 3/4" Dia.	2
23	NC01-63-0026	HITCH PIN CLIPS 5/32" X 3" LG	3
24	12-13-0600	SLIDE FOR CHUTE 1/2" Dia. X 22" LG	2
25	NC01-63-0015	HITCH PIN CLIPS 1/8" X 2 5/8" LG	5
26	NC02-25-0011	FLAT WASHER Ø 17/32"	4
27	NC17-02-0138	CABLE 45 1/4" LG ASSY.	1
28	NC01-81-0001	MALLEABLE CLIPS 1/8"	2
29	12-50-1035	CABLE SQUEEZER SUPPORT	1
30	12-42-0100	U.H.M.W. IDLER PULLEY 4" Dia. X 1 1/4" THICK	1
31	12-09-0100	BUSHING 3/4" Dia. X Ø 1/2" X 1 5/16" LG	1
32	12-50-6000	CASING LEFT	1
33	12-13-1015	UNION FOR CASING AND COVER 3/4" Dia. X 11" LG	14
34	12-55-1050	TURF ROLLER ASSY.	1
N/I	12-11-3520	TURF ROLLER ONLY 4" Dia. X 14 7/8" LG	1
N/I	12-42-0020	NYLON CAP 4" Dia. X 4" LG	2
35	12-13-1035	SHAFT 3/4" Dia. X 20" LG	1
36	12-55-1520	PTO SHAFT GUARD "STICKER INCLUDED"	1

B.W.240 F60

SECTION COUVERCLE / COVER SECTION



B.W. 240 KUBOTA F-60

REF.	PART NO.	DESCRIPTION	QTE
16	12-38-0001	FLANGE BEARING 4 Ø UCF 207-20 X Ø 1 1/4" (GREASE FITTING 1/4"-28)	2
25	NC01-63-0015	HITCH PIN CLIPS 1/8" X 2 5/8" LG	5
50	12-50-3010	IMPELLER	1
51	12-50-3005	COVER	1
52	12-01-3051	BEARING PROTECTOR (BW 240)	1
53	12-55-1067	AFTER -07/01 #21918- SWIVEEL WHEEL CASTER ASSY. (MODEL NEW 2001)	1
N/I	12-55-2555	SWIVEL CASTER "STICKER INCLUDED"	1
N/I	12-55-0049	AFTER -07/01 #21918- U.H.M.W. BLACK WHEEL ASSY.	1
N/I	12-13-1405	AFTER -07/01 #21918- WHEEL AXLE 1" Dia. X 5 5/8" LG	1
N/I	12-42-0105	AFTER -07/01 #21918- PLASTIC WHEEL BUSHING (2" DIA. X .420" LG)	2
N/I	NC01-17-0247	AFTER -07/01 #21918- HEX.BOLT 1/2"-13 X 1" LG (GRADE 2)	2
N/I	NC02-32-0014	AFTER -07/01 #21918- LOCK WASHER Ø 1/2"	2
N/I	NC02-22-0012	AFTER -07/01 #21918- FLAT WASHER ORD. Ø 9/16"	2
54	12-55-0049	AFTER -07/01 #21918- U.H.M.W. BLACK WHEEL ASSY.	1
N/I	12-55-0048	AFTER -07/01 #21918- U.H.M.W. BLACK WHEEL	1
N/I	NC14-70-0027	AFTER -07/01 #21918- ROLLER BEARING	2
N/I	12-42-0105	AFTER -07/01 #21918- PLASTIC WHEEL BUSHING (2" DIA. X .420" LG)	2
N/I	NC01-69-0785	AFTER -07/01 #21918- GREASE FITTING 1/4"-28 (STRAIGHT)	2
55	12-55-1066	BEFORE -07/01 #21918- SWIVEEL WHEEL CASTER ASSY. (MODEL OLD)	1
N/I	12-55-2555	SWIVEL CASTER "STICKER INCLUDED"	1
N/I	NC14-70-0024	BEFORE -07/01 #21918- WHEEL 12 Dia. ASSY.	1
N/I	12-13-1405	BEFORE -07/01 #21918- WHEEL AXLE 1" Dia. X 5 5/8" LG	1
N/I	04-42-0135	BEFORE -07/01 #21918- AXLE BUSHING 2" Dia. X 7/8" LG	2
N/I	NC01-17-0247	BEFORE -07/01 #21918- HEX.BOLT 1/2"-13 X 1" LG (GRADE 2)	2
N/I	NC02-32-0014	BEFORE -07/01 #21918- LOCK WASHER Ø 1/2"	2
N/I	NC02-22-0012	BEFORE -07/01 #21918- FLAT WASHER ORD. Ø 9/16"	2
56	NC14-70-0024	BEFORE -07/01 #21918- WHEEL 12 Dia. ASSY.	1
N/I	NC14-70-0047	TIRE	1
N/I	NC14-70-0037	BEFORE -07/01 #21918- RIM	1
N/I	NC14-70-0028	BEFORE -07/01 #21918- TUBE	1
N/I	NC14-70-0027	BEFORE -07/01 #21918- ROLLER BEARING	1
N/I	04-13-3400	BEFORE -07/01 #21918- SHOULDER BUSHING 2 3/8" Dia. X Ø 1 1/64" X 1/2" LG	2
N/I	NC01-69-0785	BEFORE -07/01 #21918- GREASE FITTING 1/4"-28 (STRAIGHT)	2
57	12-30-9950	PIN 1/2" X 6" LG	1
58	12-10-0800	BUSHING 2 3/8" X 2" X 1" LG	3
59	NC01-69-0785	GREASE FITTING 1/4"-28 (STRAIGHT)	1

STICKER B.W. 240 KUBOTA F-60

REF.	PART NO.	DESCRIPTION	QTE
N/I	12-58-1001	STICKER KIT (BW 240 ALL MODELS)	1
N/I	01-60-0005	STICKER AGRIMÉ TAL INC "SMALL"	2
N/I	01-60-0070	STICKER WARNING MISSING SHIELD HAZARD...	1
N/I	01-60-0115	STICKER WARNING ROTATING PART HAZARD...	1
N/I	03-60-0005	STICKER GREASE GUN	2
N/I	06-60-0000	STICKER AGRIMÉ TAL INC "MEDIUM"	2
N/I	01-60-0125	STICKER WARNING KEEP ALL GUARDS AND SHIELDS IN PLACE...	1
N/I	NC13-33-0108	STICKER CAUTION / READ OPERATOR'S MANUAL BEFORE STARTING...	1
N/I	NC13-33-0112	STICKER DANGER BLOWER BLADE HAZARD...	2
N/I	NC13-33-0110	STICKER DANGER THROWN OBJECT HAZARD...	3