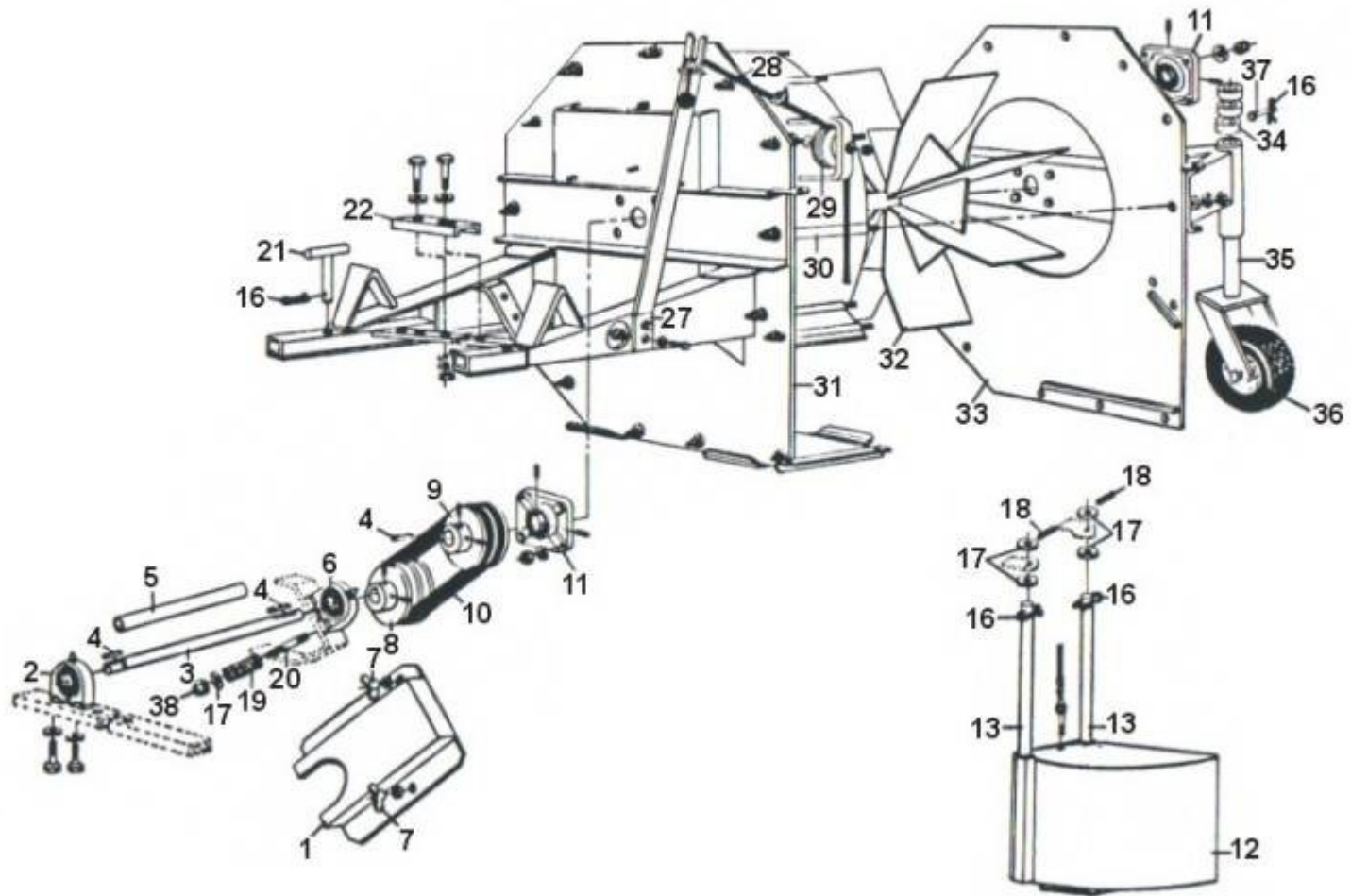


# 12 BW 240 J.D.-2



## B.W.240 J.D.-2

REF.	PART NO.	DESCRIPTION	QTE
1	12-55-1105	BELT GUARD "STICKER INCLUDED"	1
2	NC14-75-0037	PILLOW BEARING Ø 1" UCPA 205-16	1
3	12-20-0100	INPUT SHAFT 1" Dia. X 19 1/2" LONG	1
4	01-41-0910	SQUARE KEY 1/4" X 1/4" X 1 1/2" LG	3
5	12-42-0005	GUARD FOR INPUT SHAFT 1" D.I. X 12 1/2" LG	1
6	12-38-0015	PILLOW BEARING UCPA 205-16 X Ø 1" (SPECIAL)	1
7	NC02-16-0008	WING NUT 3/8"-16	2
8	NC14-62-0073	PULLEY 2MB50 X Ø 1" KW 1/4" 2SS 5/16"-18	1
9	NC14-62-0075	PULLEY 2MB50 X Ø 1 1/4" KW 1/4" 2SS 5/16"	1
10	NC14-25-0894	V-BELT 6933 (5/8" X 33")	2
11	12-38-0001	FLANGE BEARING 4 Ø UCF 207-20 X Ø 1 1/4" (GREASE FITTING 1/4"-28)	1
12	12-55-1100	DEFLECTOR RIGHT "STICKER INCLUDED"	1
13	12-13-0600	SLIDE FOR CHUTE 1/2" Dia. X 22" LG	2
16	NC01-63-0015	HITCH PIN CLIPS 1/8" X 2 5/8" LG	2
17	NC02-25-0011	FLAT WASHER Ø 17/32"	4
18	NC01-63-0015	HITCH PIN CLIPS 1/8" X 2 5/8" LG	2
19	NC13-86-0046	BLUE SPRING 1/2" X Ø 1" X 2" LONG	2
20	12-30-9955	TIGHTENER BOLT FOR BEARING 1/2"-13 X 4" LG	2
21	12-50-1005	T HITCH PIN	2
22	12-04-0060	CROSS MEMBER UNION	1
27	12-50-1035	CABLE SQUEEZER SUPPORT	1
28	12-55-1004	BEFORE -11/93 #13175- DEFLECTOR CABLE 41" LG ASSY.	1
N/I	NC17-02-0138	AFTER -11/93 #13175- CABLE 45 1/4" LG ASSY.	1
29	12-42-0100	U.H.M.W. IDLER PULLEY 4" Dia. X 1 1/4" THICK	1
N/I	12-09-0100	BUSHING 3/4" Dia. X Ø 1/2" X 1 5/16" LG	1
30	12-13-1015	UNION FOR CASING AND COVER 3/4" Dia. X 11" LG	14
31	12-50-1000	CASING	1
32	12-50-1015	IMPELLER	1
33	12-50-1010	COVER	1
34	12-10-0800	BUSHING 2 3/8" X 2" X 1" LG	3
35	12-55-1066	BEFORE -07/01 #21920- SWIVEEL WHEEL CASTER ASSY. (MODEL OLD)	1
35	12-55-1067	AFTER -07/01 #21920- SWIVEEL WHEEL CASTER ASSY. (MODEL NEW 2001)	1
N/I	12-55-2555	SWIVEL CASTER "STICKER INCLUDED"	1
36	NC14-70-0024	BEFORE -07/01 #21920- WHEEL 12 Dia. ASSY.	1
N/I	NC14-70-0047	BEFORE -07/01 #21920- TIRE	1
N/I	NC14-70-0037	BEFORE -07/01 #21920- RIM	1
N/I	NC14-70-0028	BEFORE -07/01 #21920- TUBE	1
N/I	NC14-70-0027	BEFORE -07/01 #21920- ROLLER BEARING	1
N/I	04-13-3400	BEFORE -07/01 #21920- SHOULDER BUSHING 2 3/8" Dia. X Ø 1 1/64" X 1/2" LG	2
N/I	12-13-1405	BEFORE -07/01 #21920- WHEEL AXLE 1" Dia. X 5 5/8" LG	1
N/I	04-42-0135	BEFORE -07/01 #21920- AXLE BUSHING 2" Dia. X 7/8" LG	2
N/I	NC01-17-0247	BEFORE -07/01 #21920- HEX.BOLT 1/2"-13 X 1" LG (GRADE 2 )	2
N/I	NC02-32-0014	BEFORE -07/01 #21920- LOCK WASHER Ø 1/2"	2
N/I	NC02-22-0012	BEFORE -07/01 #21920- FLAT WASHER ORD. Ø 9/16"	2
36	12-55-0049	AFTER -07/01 #21920- U.H.M.W. BLACK WHEEL ASSY.	1
N/I	NC14-70-0027	AFTER -07/01 #21920- ROLLER BEARING	2
N/I	12-42-0105	AFTER -07/01 #21920- PLASTIC WHEEL BUSHING (2" DIA. X .420" LG)	2
N/I	12-13-1405	AFTER -07/01 #21920- WHEEL AXLE 1" Dia. X 5 5/8" LG	1
N/I	NC01-17-0247	AFTER -07/01 #21920- HEX.BOLT 1/2"-13 X 1" LG (GRADE 2 )	2
N/I	NC02-32-0014	AFTER -07/01 #21920- LOCK WASHER Ø 1/2"	2
N/I	NC02-22-0012	AFTER -07/01 #21920- FLAT WASHER ORD. Ø 9/16"	2
37	12-30-9950	PIN 1/2" X 6" LG	1
38	NC01-96-0014	NYLON INSERT LOCKNUTS 1/2"-13	2
39	12-38-0001	FLANGE BEARING 4 Ø UCF 207-20 X Ø 1 1/4" (GREASE FITTING 1/4"-28)	1
	-----		
N/I	12-51-0015	TURF ROLLER BRACKETS LEFT	1

**B.W.240 J.D.-2**

<b>REF.</b>	<b>PART NO.</b>	<b>DESCRIPTION</b>	<b>QTE</b>
N/I	12-51-0017	TURF ROLLER BRACKETS RIGTH	1
N/I	12-13-1035	SHAFT 3/4" Dia. X 20" LG	1
N/I	12-55-1050	TURF ROLLER ASSY.	1
N/I	12-11-3520	TURF ROLLER ONLY 4" Dia. X 14 7/8" LG	1
N/I	12-42-0020	NYLON CAP 4" Dia. X 4" LG	2
N/I	NC01-63-0026	HITCH PIN CLIPS 5/32" X 3" LG	1

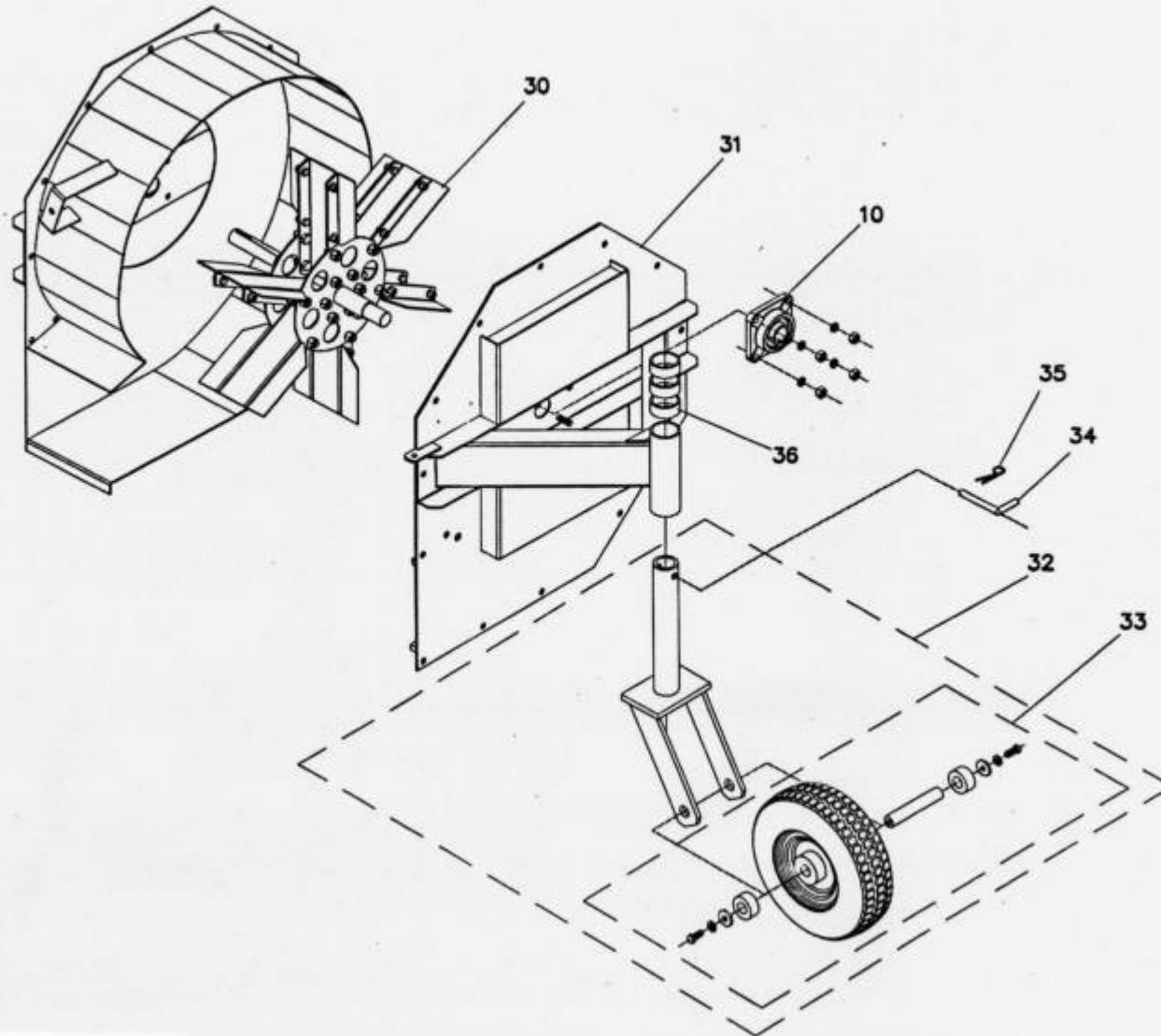
## STICKER B.W.240 J.D.-2

REF.	PART NO.	DESCRIPTION	QTE
N/I	12-58-1000	STICKER KIT (BW 240 JD-2 & JD-1400 & NEW HOLLAND)	1
N/I	01-60-0005	STICKER AGRIMÉ TAL INC "SMALL"	2
N/I	01-60-0065	STICKER CAUTION. DO NOT STAND IN FRONT OF EXIT DURING OPERATION...	2
N/I	01-60-0070	STICKER WARNING MISSING SHIELD HAZARD...	1
N/I	01-60-0100	STICKER WARNING MOVING PART HAZARD...	1
N/I	01-60-0115	STICKER WARNING ROTATING PART HAZARD...	1
N/I	03-60-0005	STICKER GREASE GUN	5
N/I	06-60-0000	STICKER AGRIMÉ TAL INC "MEDIUM"	1
N/I	12-60-0000	STICKER CAUTION. READ OPERATOR,S MANUAL BEFORE USING...	2



## B.W.240 J.D.-4

REF.	PART NO.	DESCRIPTION	QTE
1	12-55-1510	BELT GUARD (STICKER INCLUDED)	1
2	NC14-75-0033	PILLOW BLOC BEARING	2
3	12-20-0120	INPUT SHAFT 1" Dia. X 11 1/2" LG	1
4	01-41-0910	SQUARE KEY 1/4" X 1/4" X 1 1/2" LG	1
5	12-42-0010	GUARD FOR INPUT SHAFT 1" D.I. X 4 3/8" LG	1
6	NC02-16-0008	WING NUT 3/8"-16	4
N/I	NC02-44-0103	ALLENS SET SCREW 5/16"-18 X 3/8" LG	1
7	NC14-62-0073	PULLEY 2MB50 X Ø 1" KW 1/4" 2SS 5/16"-18	1
8	NC14-62-0075	PULLEY 2MB50 X Ø 1 1/4" KW 1/4" 2SS 5/16"	1
N/I	NC02-44-0103	ALLENS SET SCREW 5/16"-18 X 3/8" LG	1
9	NC14-25-0894	V-BELT 6933 (5/8" X 33")	2
10	12-38-0001	FLANGE BEARING 4 Ø UCF 207-20 X Ø 1 1/4" (GREASE FITTING 1/4"-28)	1
11	NC01-52-0014	EYE BOLT 3/8"-16 X 5" LG	1
12	NC13-85-0014	SPRING 1" DIA. X 9" LG	1
13	03-55-0045	IDLER PULLEY 3" Dia. X 1 3/4" LG ASSY.	1
N/I	03-21-0005	IDLER PULLEY ALUMINIUM ONLY	1
N/I	NC14-75-0068	BEARING #99502H	2
N/I	NC01-64-0142	RETAINING RINGS INTERNAL FOR Ø 1 3/8"	2
14	12-09-1200	BUSHING 1" X 1/2" X 1/2" LONG	1
15	12-05-2010	BELT TIGHTENER	1
16	12-50-1045	CASING RIGHT	1
17	12-50-1005	T HITCH PIN	2
18	12-50-1035	CABLE SQUEEZER SUPPORT	1
19	12-13-1015	UNION FOR CASING AND COVER 3/4" Dia. X 11" LG	14
20	12-42-0100	U.H.M.W. IDLER PULLEY 4" Dia. X 1 1/4" THICK	1
21	12-09-0100	BUSHING 3/4" Dia. X Ø 1/2" X 1 5/16" LG	1
22	NC17-02-0138	CABLE 45 1/4" LG ASSY.	1
23	NC02-25-0011	FLAT WASHER Ø 17/32"	4
24	NC01-63-0015	HITCH PIN CLIPS 1/8" X 2 5/8" LG	4
25	12-13-0600	SLIDE FOR CHUTE 1/2" Dia. X 22" LG	2
26	12-55-1100	DEFLECTOR RIGHT "STICKER INCLUDED"	1
27	12-13-1035	SHAFT 3/4" Dia. X 20" LG	1
28	12-55-1050	TURF ROLLER ASSY.	1
N/I	12-11-3520	TURF ROLLER ONLY 4" Dia. X 14 7/8" LG	1
N/I	12-42-0020	NYLON CAP 4" Dia. X 4" LG	2
29	NC01-63-0026	HITCH PIN CLIPS 5/32" X 3" LG	1
30	12-38-0001	FLANGE BEARING 4 Ø UCF 207-20 X Ø 1 1/4" (GREASE FITTING 1/4"-28)	1
N/I	12-51-0015	TURF ROLLER BRACKETS LEFT	1
N/I	12-51-0017	TURF ROLLER BRACKETS RIGTH	1



## B.W.240 J.D.-4

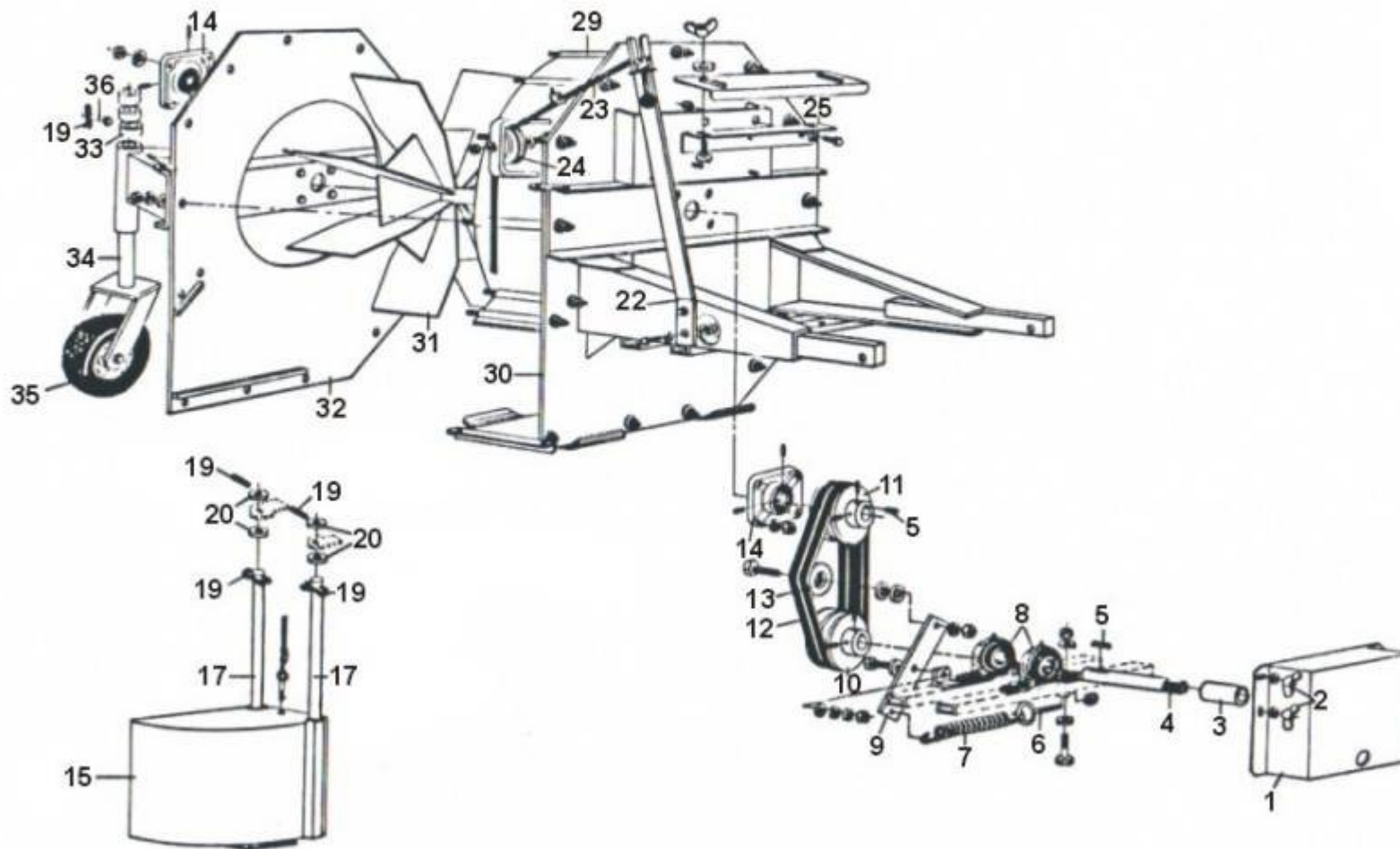
REF.	PART NO.	DESCRIPTION	QTE
30	12-50-1015	IMPELLER	1
31	12-50-1010	COVER	1
32	12-55-1066	BEFORE -09/01 #22170- SWIVEEL WHEEL CASTER ASSY. (MODEL OLD)	1
32	12-55-1067	AFTER -09/01 #22170- SWIVEEL WHEEL CASTER ASSY. (MODEL NEW 2001)	1
N/I	12-55-2555	SWIVEL CASTER "STICKER INCLUDED"	1
33	NC14-70-0024	BEFPRE -09/01 #22170- WHEEL 12 Dia. ASSY.	1
N/I	NC14-70-0047	BEFORE -09/01 #22170- TIRE	1
N/I	NC14-70-0037	BEFORE -09/01 #22170- RIM	1
N/I	NC14-70-0028	BEFORE -09/01 #22170- TUBE	1
N/I	NC14-70-0027	BEFORE -09/01 #22170- ROLLER BEARING	1
N/I	04-13-3400	BEFORE -09/01 #22170- SHOULDER BUSHING 2 3/8" Dia. X Ø 1 1/64" X 1/2" LG	2
N/I	12-13-1405	BEFORE -09/01 #22170- WHEEL AXLE 1" Dia. X 5 5/8" LG	1
N/I	04-42-0135	BEFORE -09/01 #22170- AXLE BUSHING 2" Dia. X 7/8" LG	2
N/I	NC01-17-0247	BEFORE -09/01 #22170- HEX.BOLT 1/2"-13 X 1" LG (GRADE 2)	2
N/I	NC02-32-0014	BEFORE -09/01 #22170- LOCK WASHER Ø 1/2"	2
N/I	NC02-22-0012	BEFORE -09/01 #22170- FLAT WASHER ORD. Ø 9/16"	2
33	12-55-0049	AFTER -09/01 #22170- U.H.M.W. BLACK WHEEL ASSY.	1
N/I	NC14-70-0027	AFTER -09/01 #22170- ROLLER BEARING	2
N/I	12-42-0105	AFTER -09/01 #22170- PLASTIC WHEEL BUSHING (2" DIA. X .420" LG)	2
N/I	12-13-1405	AFTER -09/01 #22170- WHEEL AXLE 1" Dia. X 5 5/8" LG	1
N/I	NC01-17-0247	AFTER -09/01 #22170- HEX.BOLT 1/2"-13 X 1" LG (GRADE 2)	2
N/I	NC02-32-0014	AFTER -09/01 #22170- LOCK WASHER Ø 1/2"	2
N/I	NC02-22-0012	AFTER -09/01 #22170- FLAT WASHER ORD. Ø 9/16"	2
34	12-30-9950	PIN 1/2" X 6" LG	1
35	NC01-63-0015	HITCH PIN CLIPS 1/8" X 2 5/8" LG	1
36	12-10-0800	BUSHING 2 3/8" X 2" X 1" LG	3
37	NC01-81-0001	MALLEABLE CLIPS 1/8"	2



## STICKER B.W.240 J.D.-4

REF.	PART NO.	DESCRIPTION	QTE
N/I	12-58-1005	STICKER KIT (BW 240 JD-4)	1
N/I	01-60-0005	STICKER AGRIMÉTAL INC "SMALL"	2
N/I	01-60-0065	STICKER CAUTION. DO NOT STAND IN FRONT OF EXIT DURING OPERATION...	2
N/I	01-60-0070	STICKER WARNING MISSING SHIELD HAZARD...	1
N/I	01-60-0100	STICKER WARNING MOVING PART HAZARD...	1
N/I	01-60-0110	STICKER WARNING ROTATING PART HAZARD...	1
N/I	03-60-0005	STICKER GREASE GUN	5
N/I	06-60-0000	STICKER AGRIMÉTAL INC "MEDIUM"	1
N/I	12-60-0000	STICKER CAUTION. READ OPERATOR,S MANUAL BEFORE USING...	2

# 12 BW 240 K



## B.W.240 KUBOTA

REF.	PART NO.	DESCRIPTION	QTE
1	12-55-1510	BELT GUARD (STICKER INCLUDED)	1
2	NC02-16-0008	WING NUT 3/8"-16	4
3	12-42-0015	GUARD FOR INPUT SHAFT 1" D.I. X 3 3/8" LG	1
4	12-20-0105	DRIVE SHAFT (SPLINE) 1" Dia. X 10" LG (STANDARD)	1
N/I	12-20-0110	DRIVE SHAFT (SPLINE) 1" Dia. X 13 1/2" LG (SPECIAL)	1
N/I	12-20-0125	DRIVE SHAFT (SPLINE) 1" Dia. X 15" LG (SPÉCIAL)	1
5	01-41-0910	SQUARE KEY 1/4" X 1/4" X 1 1/2" LG	2
6	NC01-52-0014	EYE BOLT 3/8"-16 X 5" LG	1
7	NC13-85-0014	SPRING 1" DIA. X 9" LG	1
8	NC14-75-0033	PILLOW BLOC BEARING	2
9	12-05-2010	BELT TIGHTENER	1
10	NC14-62-0073	PULLEY 2MB50 X Ø 1" KW 1/4" 2SS 5/16"-18	1
11	NC14-62-0075	PULLEY 2MB50 X Ø 1 1/4" KW 1/4" 2SS 5/16"	1
12	NC14-25-0894	V-BELT 6933 (5/8" X 33")	2
13	03-55-0045	IDLER PULLEY 3" Dia. X 1 3/4" LG ASSY.	1
N/I	03-21-0005	IDLER PULLEY ALUMINIUM ONLY	1
N/I	NC14-75-0068	BEARING #99502H	2
N/I	NC13-80-0061	BUSHING 5/8" X 1/2" X 3/8"	2
N/I	NC01-64-0142	RETAINING RINGS INTERNAL FOR Ø 1 3/8"	2
14	12-38-0001	FLANGE BEARING 4 Ø UCF 207-20 X Ø 1 1/4" (GREASE FITTING 1/4"-28)	2
15	12-55-1515	DEFLECTOR LEFT "STICKER INCLUDED"	1
17	12-13-0600	SLIDE FOR CHUTE 1/2" Dia. X 22" LG	2
19	NC01-63-0015	HITCH PIN CLIPS 1/8" X 2 5/8" LG	4
20	NC02-25-0011	FLAT WASHER Ø 17/32"	4
22	12-50-1035	CABLE SQUEEZER SUPPORT	1
23	NC17-02-0138	CABLE 45 1/4" LG ASSY.	1
24	12-42-0100	U.H.M.W. IDLER PULLEY 4" Dia. X 1 1/4" THICK	1
24	12-09-0100	BUSHING 3/4" Dia. X Ø 1/2" X 1 5/16" LG	1
29	12-13-1015	UNION FOR CASING AND COVER 3/4" Dia. X 11" LG	14
30	12-50-3000	CASING	1
31	12-50-3010	IMPELLER	1
32	12-50-3005	COVER	1
33	12-10-0800	BUSHING 2 3/8" X 2" X 1" LG	3
34	12-55-1066	BEFORE -00/00 #00000- SWIVEEL WHEEL CASTER ASSY. (MODEL OLD)	1
34	12-55-1067	AFTER -00/00 #00000- SWIVEEL WHEEL CASTER ASSY. (MODEL NEW 2001)	1
N/I	12-55-2555	SWIVEL CASTER "STICKER INCLUDED"	1
35	NC14-70-0024	BEFORE -00/00 #00000- WHEEL 12 Dia. ASSY.	1
N/I	NC14-70-0047	BEFORE -00/00 #00000- TIRE	1
N/I	NC14-70-0037	BEFORE -00/00 #00000- RIM	1
N/I	NC14-70-0028	BEFORE -00/00 #00000- TUBE	1
N/I	NC14-70-0027	BEFORE -00/00 #00000- ROLLER BEARING	1
N/I	04-13-3400	BEFORE -00/00 #00000- SHOULDER BUSHING 2 3/8" Dia. X Ø 1 1/64" X 1/2" LG	2
N/I	12-13-1405	BEFORE -00/00 #00000- WHEEL AXLE 1" Dia. X 5 5/8" LG	1
N/I	04-42-0135	BEFORE -00/00 #00000- AXLE BUSHING 2" Dia. X 7/8" LG	2
N/I	NC01-17-0247	BEFORE -00/00 #00000- HEX.BOLT 1/2"-13 X 1" LG (GRADE 2)	2
N/I	NC02-32-0014	BEFORE -00/00 #00000- LOCK WASHER Ø 1/2"	2
N/I	NC02-22-0012	BEFORE -00/00 #00000- FLAT WASHER ORD. Ø 9/16"	2
35	12-55-0049	AFTER -00/00 #00000- U.H.M.W. BLACK WHEEL ASSY.	1
N/I	NC14-70-0027	AFTER -00/00 #00000- ROLLER BEARING	2
N/I	12-42-0105	AFTER -00/00 #00000- PLASTIC WHEEL BUSHING (2" DIA. X .420" LG)	2
N/I	12-13-1405	AFTER -00/00 #00000- WHEEL AXLE 1" Dia. X 5 5/8" LG	1
N/I	NC01-17-0247	AFTER -00/00 #00000- HEX.BOLT 1/2"-13 X 1" LG (GRADE 2)	2
N/I	NC02-32-0014	AFTER -00/00 #00000- LOCK WASHER Ø 1/2"	2
N/I	NC02-22-0012	AFTER -00/00 #00000- FLAT WASHER ORD. Ø 9/16"	2
36	12-30-9950	PIN 1/2" X 6" LG	1
37	12-38-0001	FLANGE BEARING 4 Ø UCF 207-20 X Ø 1 1/4" (GREASE FITTING 1/4"-28)	1

**B.W.240 KUBOTA**

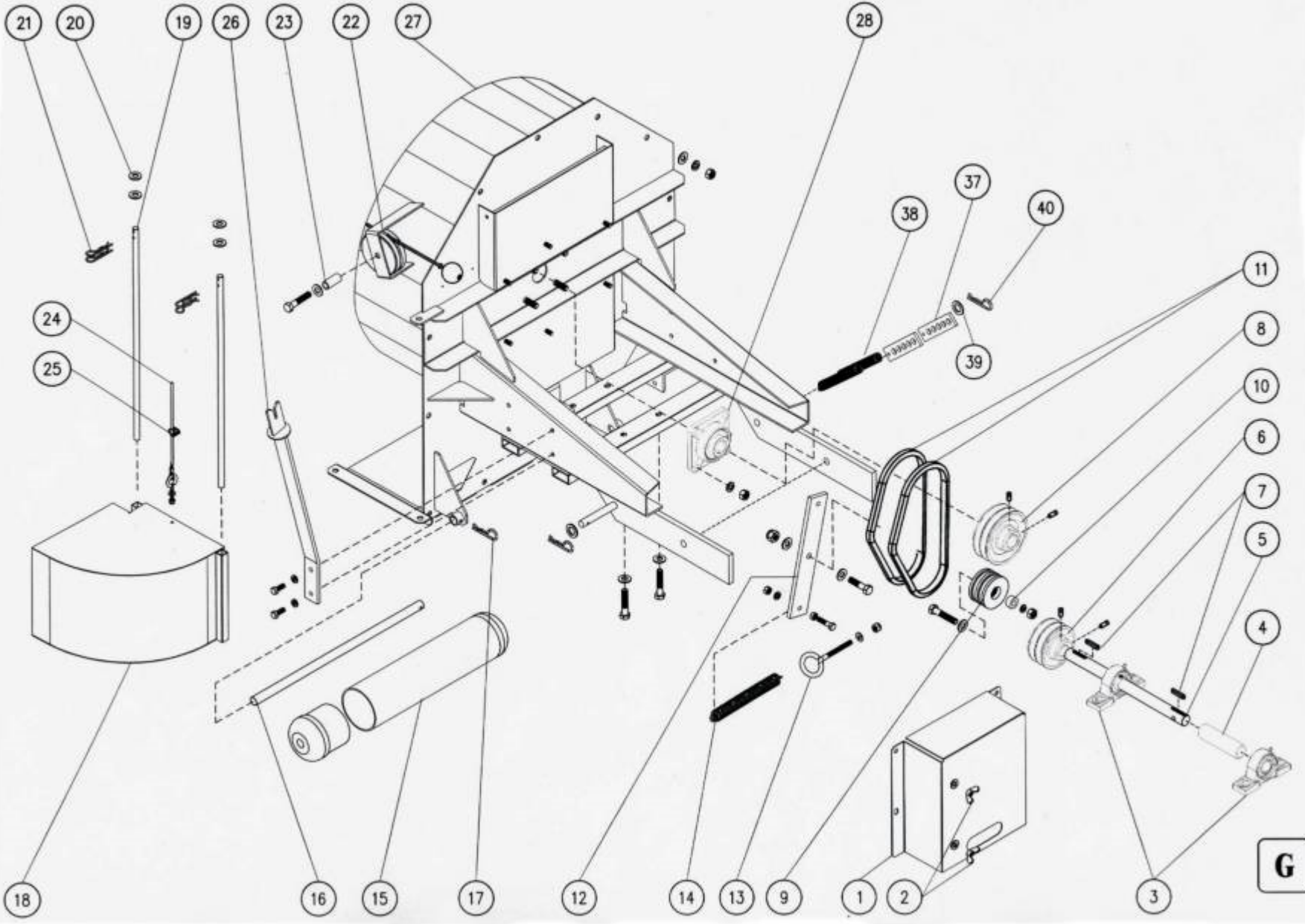
<b>REF.</b>	<b>PART NO.</b>	<b>DESCRIPTION</b>	<b>QTE</b>
N/I	12-51-0015	TURF ROLLER BRACKETS LEFT	1
N/I	12-51-0017	TURF ROLLER BRACKETS RIGTH	1
N/I	12-13-1035	SHAFT 3/4" Dia. X 20" LG	1
N/I	12-55-1050	TURF ROLLER ASSY.	1
N/I	12-11-3520	TURF ROLLER ONLY 4" Dia. X 14 7/8" LG	1
N/I	12-42-0020	NYLON CAP 4" Dia. X 4" LG	2
N/I	NC01-63-0026	HITCH PIN CLIPS 5/32" X 3" LG	1

## STICKER B.W.240 KUBOTA

REF.	PART NO.	DESCRIPTION	QTE
N/I	12-58-1500	STICKER KIT (BW 240 KUBOTA)	1
N/I	01-60-0005	STICKER AGRIMÉ TAL INC "SMALL"	2
N/I	01-60-0065	STICKER CAUTION. DO NOT STAND IN FRONT OF EXIT DURING OPERATION...	1
N/I	01-60-0070	STICKER WARNING MISSING SHIELD HAZARD...	1
N/I	01-60-0100	STICKER WARNING MOVING PART HAZARD...	1
N/I	03-60-0005	STICKER GREASE GUN	5
N/I	06-60-0000	STICKER AGRIMÉ TAL INC "MEDIUM"	1
N/I	12-60-0000	STICKER CAUTION. READ OPERATOR,S MANUAL BEFORE USING...	2
N/I	01-60-0110	STICKER WARNING ROTATING PART HAZARD...	1

# BW240\_HUSTLER

## SECTION BOÎTIER/HOUSING SECTION

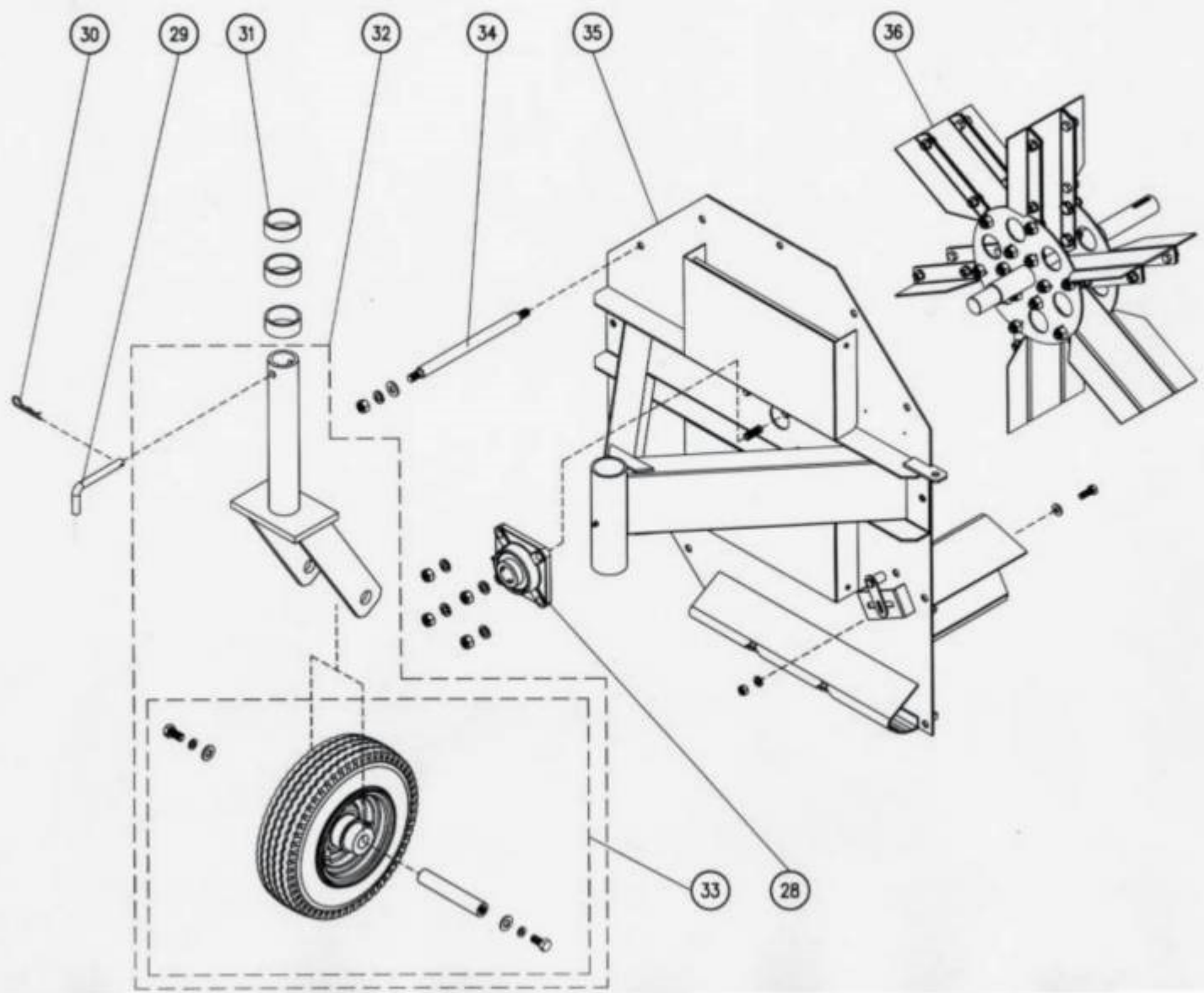


**G**

## B.W.240 HUSTLER

REF.	PART NO.	DESCRIPTION	QTE
1	12-55-1510	BELT GUARD (STICKER INCLUDED)	1
2	NC02-16-0008	WING NUT 3/8"-16	4
3	NC14-75-0033	PILLOW BLOC BEARING	2
4	12-42-0010	GUARD FOR INPUT SHAFT 1" D.I. X 4 3/8" LG	1
5	12-20-0116	DRIVE SHAFT 1" Dia. X 14" LG	1
6	NC14-62-0069	PULLEY 2MB40 X Ø 1" KW 1/4" 2SS 5/16"-18	1
N/I	NC02-44-0103	ALLENS SET SCREW 5/16"-18 X 3/8" LG	1
N/I	NC02-44-0103	ALLENS SET SCREW 5/16"-18 X 3/8" LG	1
7	01-41-0910	SQUARE KEY 1/4" X 1/4" X 1 1/2" LG	1
8	NC14-62-0075	PULLEY 2MB50 X Ø 1 1/4" KW 1/4" 2SS 5/16"	1
N/I	NC02-44-0103	ALLENS SET SCREW 5/16"-18 X 3/8" LG	1
N/I	NC02-44-0103	ALLENS SET SCREW 5/16"-18 X 3/8" LG	1
9	03-55-0045	IDLER PULLEY 3" Dia. X 1 3/4" LG ASSY.	1
N/I	03-21-0005	IDLER PULLEY ALUMINIUM ONLY	1
N/I	NC14-75-0068	BEARING #99502H	2
N/I	NC01-64-0142	RETAINING RINGS INTERNAL FOR Ø 1 3/8"	2
N/I	NC13-80-0061	BUSHING 5/8" X 1/2" X 3/8"	2
10	12-09-1200	BUSHING 1" X 1/2" X 1/2" LONG	1
11	NC14-25-0892	V-BELT 6932 (5/8" X 32")	2
12	12-05-2010	BELT TIGHTENER	1
13	NC01-52-0014	EYE BOLT 3/8"-16 X 5" LG	1
14	NC13-85-0014	SPRING 1" DIA. X 9" LG	1
15	12-55-1050	TURF ROLLER ASSY.	1
N/I	12-11-3520	TURF ROLLER ONLY 4" Dia. X 14 7/8" LG	1
N/I	12-42-0020	NYLON CAP 4" Dia. X 4" LG	2
16	12-13-1035	SHAFT 3/4" Dia. X 20" LG	1
17	NC01-63-0026	HITCH PIN CLIPS 5/32" X 3" LG	1
18	12-55-1515	DEFLECTOR LEFT "STICKER INCLUDED"	1
19	12-13-0600	SLIDE FOR CHUTE 1/2" Dia. X 22" LG	2
20	NC02-25-0011	FLAT WASHER Ø 17/32"	4
21	NC01-63-0015	HITCH PIN CLIPS 1/8" X 2 5/8" LG	4
22	12-42-0100	U.H.M.W. IDLER PULLEY 4" Dia. X 1 1/4" THICK	1
23	12-09-0100	BUSHING 3/4" Dia. X Ø 1/2" X 1 5/16" LG	1
24	NC17-02-0138	CABLE 45 1/4" LG ASSY.	1
25	NC01-81-0001	MALLEABLE CLIPS 1/8"	2
26	12-50-1035	CABLE SQUEEZER SUPPORT	1
27	12-50-4000	CASING LEFT	1
28	12-38-0001	FLANGE BEARING 4 Ø UCF 207-20 X Ø 1 1/4" (GREASE FITTING 1/4"-28)	1
37	12-04-0215	SPRING MOUNTING BRACKET	4
38	12-44-0005	TENSION SPRING #011379 FROM COMPAGNY EXCEL	4
39	01-33-0035	FLAT WASHER 1 1/4" Dia. X Ø 3/4" X 10GA	2
40	NC01-63-0026	HITCH PIN CLIPS 5/32" X 3" LG	2

**BW240\_HUSTLER**  
**SECTION COUVERCLE/COVER SECTION**





## B.W.240 HUSTLER

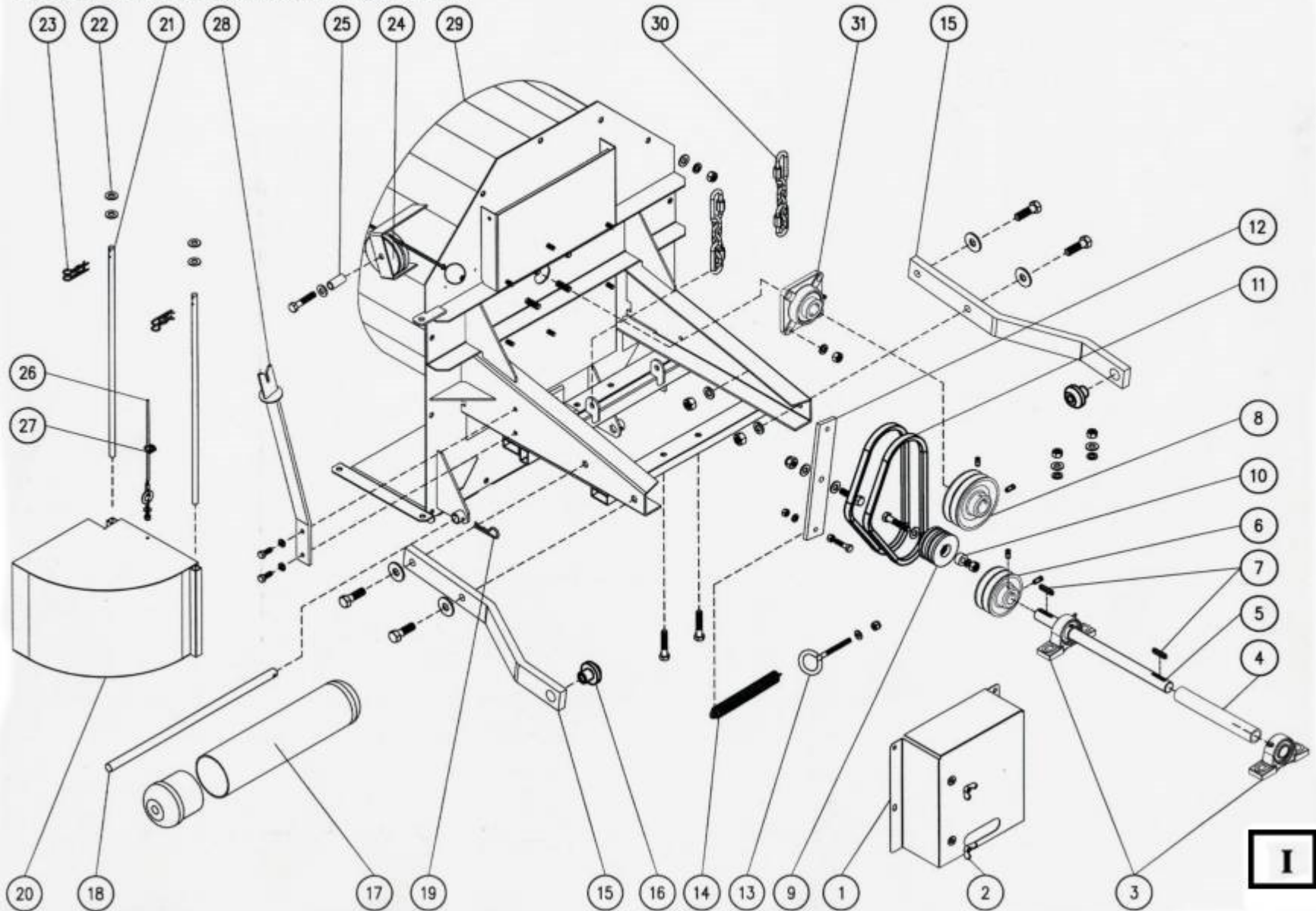
REF.	PART NO.	DESCRIPTION	QTE
29	12-30-9950	PIN 1/2" X 6" LG	1
30	NC01-63-0015	HITCH PIN CLIPS 1/8" X 2 5/8" LG	1
31	12-10-0800	BUSHING 2 3/8" X 2" X 1" LG	3
32	12-55-1066	BEFORE -00/00 #00000- SWIVEEL WHEEL CASTER ASSY. (MODEL OLD)	1
32	12-55-1067	AFTER -00/00 #00000- SWIVEEL WHEEL CASTER ASSY. (MODEL NEW 2001)	1
N/I	12-55-2555	SWIVEL CASTER "STICKER INCLUDED"	1
33	NC14-70-0024	BEFORE -00/00 #00000- WHEEL 12 Dia. ASSY.	1
N/I	NC14-70-0047	BEFORE -00/00 #00000- TIRE	1
N/I	NC14-70-0037	BEFORE -00/00 #00000- RIM	1
N/I	NC14-70-0028	BEFORE -00/00 #00000- TUBE	1
N/I	NC14-70-0027	BEFORE -00/00 #00000- ROLLER BEARING	1
N/I	04-13-3400	BEFORE -00/00 #00000- SHOULDER BUSHING 2 3/8" Dia. X Ø 1 1/64" X 1/2" LG	2
N/I	12-13-1405	BEFORE -00/00 #00000- WHEEL AXLE 1" Dia. X 5 5/8" LG	1
N/I	04-42-0135	BEFORE -00/00 #00000- AXLE BUSHING 2" Dia. X 7/8" LG	2
N/I	NC01-17-0247	BEFORE -00/00 #00000- HEX.BOLT 1/2"-13 X 1" LG (GRADE 2)	2
N/I	NC02-32-0014	BEFORE -00/00 #00000- LOCK WASHER Ø 1/2"	2
N/I	NC02-22-0012	BEFORE -00/00 #00000- FLAT WASHER ORD. Ø 9/16"	2
33	12-55-0049	AFTER -00/00 #00000- U.H.M.W. BLACK WHEEL ASSY.	1
N/I	NC14-70-0027	AFTER -00/00 #00000- ROLLER BEARING	2
N/I	12-42-0105	AFTER -00/00 #00000- PLASTIC WHEEL BUSHING (2" DIA. X .420" LG)	2
N/I	12-13-1405	AFTER -00/00 #00000- WHEEL AXLE 1" Dia. X 5 5/8" LG	1
N/I	NC01-17-0247	AFTER -00/00 #00000- HEX.BOLT 1/2"-13 X 1" LG (GRADE 2)	2
N/I	NC02-32-0014	AFTER -00/00 #00000- LOCK WASHER Ø 1/2"	2
N/I	NC02-22-0012	AFTER -00/00 #00000- FLAT WASHER ORD. Ø 9/16"	2
34	12-13-1015	AFTER -00/00 #00000- UNION FOR CASING AND COVER 3/4" Dia. X 11" LG	14
35	12-50-3005	AFTER -00/00 #00000- COVER	1
36	12-50-3010	AFTER -00/00 #00000- IMPELLER	1

## STICKER B.W.240 HUSTLER

REF.	PART NO.	DESCRIPTION	QTE
N/I	12-58-2000	STICKER KIT (B.W.240 HUSTLER)	1
N/I	01-60-0005	STICKER AGRIMÉ TAL INC "SMALL"	2
N/I	01-60-0065	STICKER CAUTION. DO NOT STAND IN FRONT OF EXIT DURING OPERATION...	2
N/I	01-60-0070	STICKER WARNING MISSING SHIELD HAZARD...	1
N/I	01-60-0100	STICKER WARNING MOVING PART HAZARD...	1
N/I	01-60-0110	STICKER WARNING ROTATING PART HAZARD...	1
N/I	03-60-0005	STICKER GREASE GUN	5
N/I	06-60-0000	STICKER AGRIMÉ TAL INC "MEDIUM"	1
N/I	12-60-0000	STICKER CAUTION. READ OPERATOR,S MANUAL BEFORE USING...	2

# BW240\_RANSOMES

## SECTION BOÎTIER/HOUSING SECTION

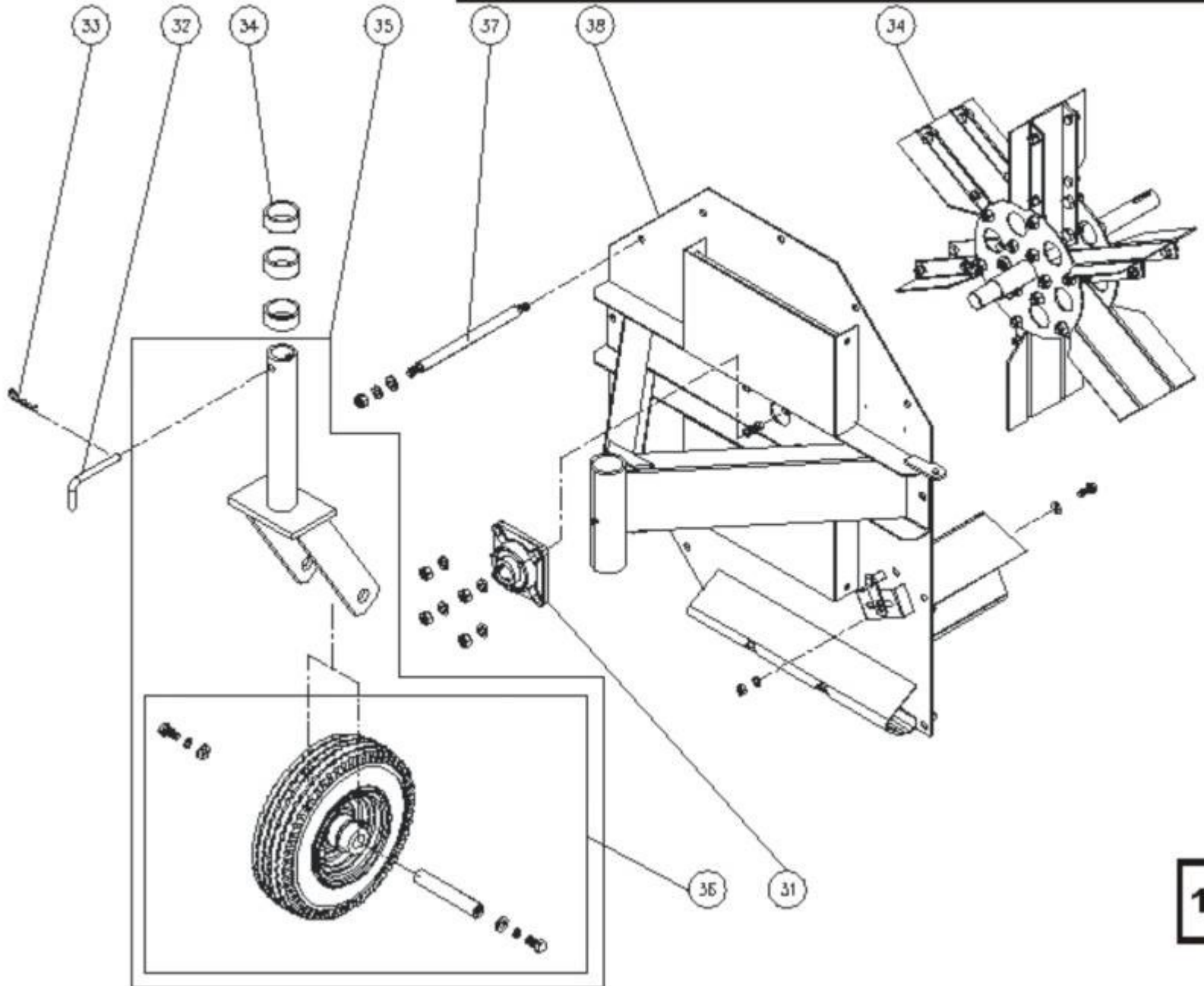


I

## B.W.240 RANSOMES

REF.	PART NO.	DESCRIPTION	QTE
1	12-55-1510	BELT GUARD (STICKER INCLUDED)	1
2	NC02-16-0008	WING NUT 3/8"-16	4
3	NC14-75-0033	PILLOW BLOC BEARING	2
4	12-42-0025	GUARD FOR INPUT SHAFT	1
5	12-20-0135	DRIVE SHAFT 1" Dia. X 15 1/2" LG	1
6	NC14-62-0069	PULLEY 2MB40 X Ø 1" KW 1/4" 2SS 5/16"-18	1
N/I	NC02-44-0103	ALLENS SET SCREW 5/16"-18 X 3/8" LG	2
7	01-41-0910	SQUARE KEY 1/4" X 1/4" X 1 1/2" LG	1
8	NC14-62-0075	PULLEY 2MB50 X Ø 1 1/4" KW 1/4" 2SS 5/16"	1
N/I	NC02-44-0103	ALLENS SET SCREW 5/16"-18 X 3/8" LG	2
9	03-55-0045	IDLER PULLEY 3" Dia. X 1 3/4" LG ASSY.	1
N/I	03-21-0005	IDLER PULLEY ALUMINIUM ONLY	1
N/I	NC14-75-0068	BEARING #99502H	2
N/I	NC01-64-0142	RETAINING RINGS INTERNAL FOR Ø 1 3/8"	2
N/I	NC13-80-0061	BUSHING 5/8" X 1/2" X 3/8"	2
10	12-09-1200	BUSHING 1" X 1/2" X 1/2" LONG	1
11	NC14-25-0892	V-BELT 6932 (5/8" X 32")	2
12	12-05-2010	BELT TIGHTENER	1
13	NC01-52-0014	EYE BOLT 3/8"-16 X 5" LG	1
14	NC13-85-0014	SPRING 1" DIA. X 9" LG	1
15	12-05-3515	HITCH EXTENSION	1
16	12-13-2805	SHOULDER BUSHING	1
17	12-55-1050	TURF ROLLER ASSY.	1
N/I	12-11-3520	TURF ROLLER ONLY 4" Dia. X 14 7/8" LG	1
N/I	12-42-0020	NYLON CAP 4" Dia. X 4" LG	2
18	12-13-1035	SHAFT 3/4" Dia. X 20" LG	1
19	NC01-63-0026	HITCH PIN CLIPS 5/32" X 3" LG	1
20	12-55-1515	DEFLECTOR LEFT "STICKER INCUDED"	1
21	12-13-0600	SLIDE FOR CHUTE 1/2" Dia. X 22" LG	2
22	NC02-25-0011	FLAT WASHER Ø 17/32"	4
23	NC01-63-0015	HITCH PIN CLIPS 1/8" X 2 5/8" LG	4
24	12-42-0100	U.H.M.W. IDLER PULLEY 4" Dia. X 1 1/4" THICK	1
25	12-09-0100	BUSHING 3/4" Dia. X Ø 1/2" X 1 5/16" LG	1
26	NC17-02-0138	CABLE 45 1/4" LG ASSY.	1
27	NC01-81-0001	MALLEABLE CLIPS 1/8"	2
28	12-50-1035	CABLE SQUEEZER SUPPORT	1
29	12-50-7000	CASING LEFT	1
30	12-55-3505	LIFTING CHAIN COMPL.	2
N/I	12-41-0000	ONLY CHAIN	1
N/I	NC01-75-0015	RAPID LINK 5/16"	2
31	12-38-0001	FLANGE BEARING 4 Ø UCF 207-20 X Ø 1 1/4" (GREASE FITTING 1/4"-28)	1
32	12-38-0001	FLANGE BEARING 4 Ø UCF 207-20 X Ø 1 1/4" (GREASE FITTING 1/4"-28)	1

# B.W.240 RANSOMES SECTION COUVERCLE / COVER SECTION

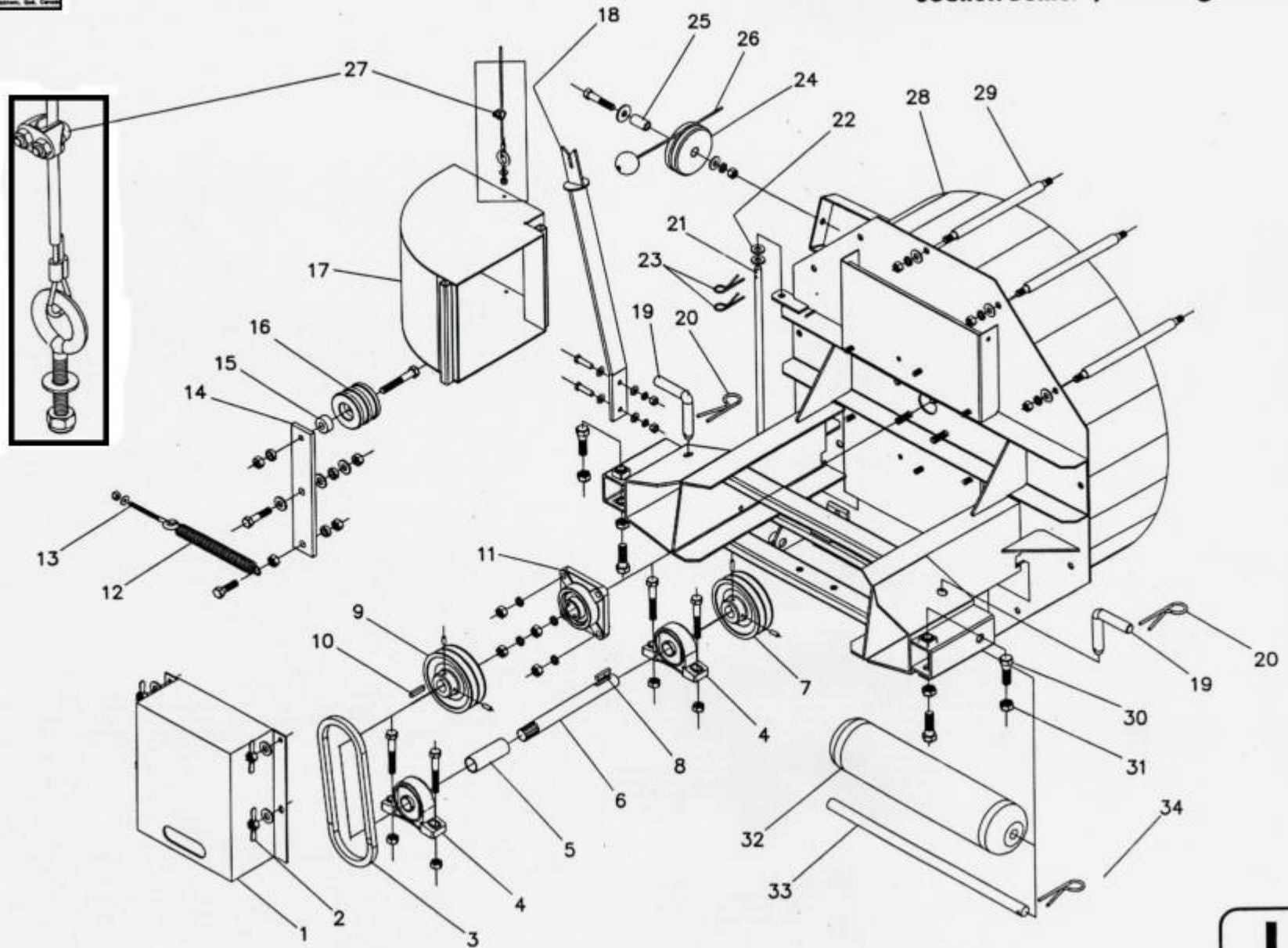


## B.W.240 RANSOMES

REF.	PART NO.	DESCRIPTION	QTE
32	12-30-9950	PIN 1/2" X 6" LG	1
33	NC01-63-0015	HITCH PIN CLIPS 1/8" X 2 5/8" LG	1
34	12-10-0800	BUSHING 2 3/8" X 2" X 1" LG	3
35	12-55-1066	BEFORE -00/00 #00000- SWIVEEL WHEEL CASTER ASSY. (MODEL OLD)	1
35	12-55-1067	AFTER -00/00 #00000- SWIVEEL WHEEL CASTER ASSY. (MODEL NEW 2001)	1
N/I	12-55-2555	SWIVEL CASTER "STICKER INCLUDED"	1
36	NC14-70-0024	BEFORE -00/00 #00000- WHEEL 12 Dia. ASSY.	1
N/I	NC14-70-0047	BEFORE -00/00 #00000- TIRE	1
N/I	NC14-70-0037	BEFORE -00/00 #00000- RIM	1
N/I	NC14-70-0028	BEFORE -00/00 #00000- TUBE	1
N/I	NC14-70-0027	BEFORE -00/00 #00000- ROLLER BEARING	1
N/I	04-13-3400	BEFORE -00/00 #00000- SHOULDER BUSHING 2 3/8" Dia. X Ø 1 1/64" X 1/2" LG	2
N/I	12-13-1405	BEFORE -00/00 #00000- WHEEL AXLE 1" Dia. X 5 5/8" LG	1
N/I	04-42-0135	BEFORE -00/00 #00000- AXLE BUSHING 2" Dia. X 7/8" LG	2
N/I	NC01-17-0247	BEFORE -00/00 #00000- HEX.BOLT 1/2"-13 X 1" LG (GRADE 2 )	2
N/I	NC02-32-0014	BEFORE -00/00 #00000- LOCK WASHER Ø 1/2"	2
N/I	NC02-22-0012	BEFORE -00/00 #00000- FLAT WASHER ORD. Ø 9/16"	2
36	12-55-0049	AFTER -00/00 #00000- U.H.M.W. BLACK WHEEL ASSY.	1
N/I	NC14-70-0027	AFTER -00/00 #00000- ROLLER BEARING	2
N/I	12-42-0105	AFTER -00/00 #00000- PLASTIC WHEEL BUSHING (2" DIA. X .420" LG)	2
N/I	12-13-1405	AFTER -00/00 #00000- WHEEL AXLE 1" Dia. X 5 5/8" LG	1
N/I	NC01-17-0247	AFTER -00/00 #00000- HEX.BOLT 1/2"-13 X 1" LG (GRADE 2 )	2
N/I	NC02-32-0014	AFTER -00/00 #00000- LOCK WASHER Ø 1/2"	2
N/I	NC02-22-0012	AFTER -00/00 #00000- FLAT WASHER ORD. Ø 9/16"	2
37	12-13-1015	UNION FOR CASING AND COVER 3/4" Dia. X 11" LG	14
38	12-50-3005	COVER	1
39	12-50-3010	IMPELLER	1

## STICKER B.W.240 RANSOMES

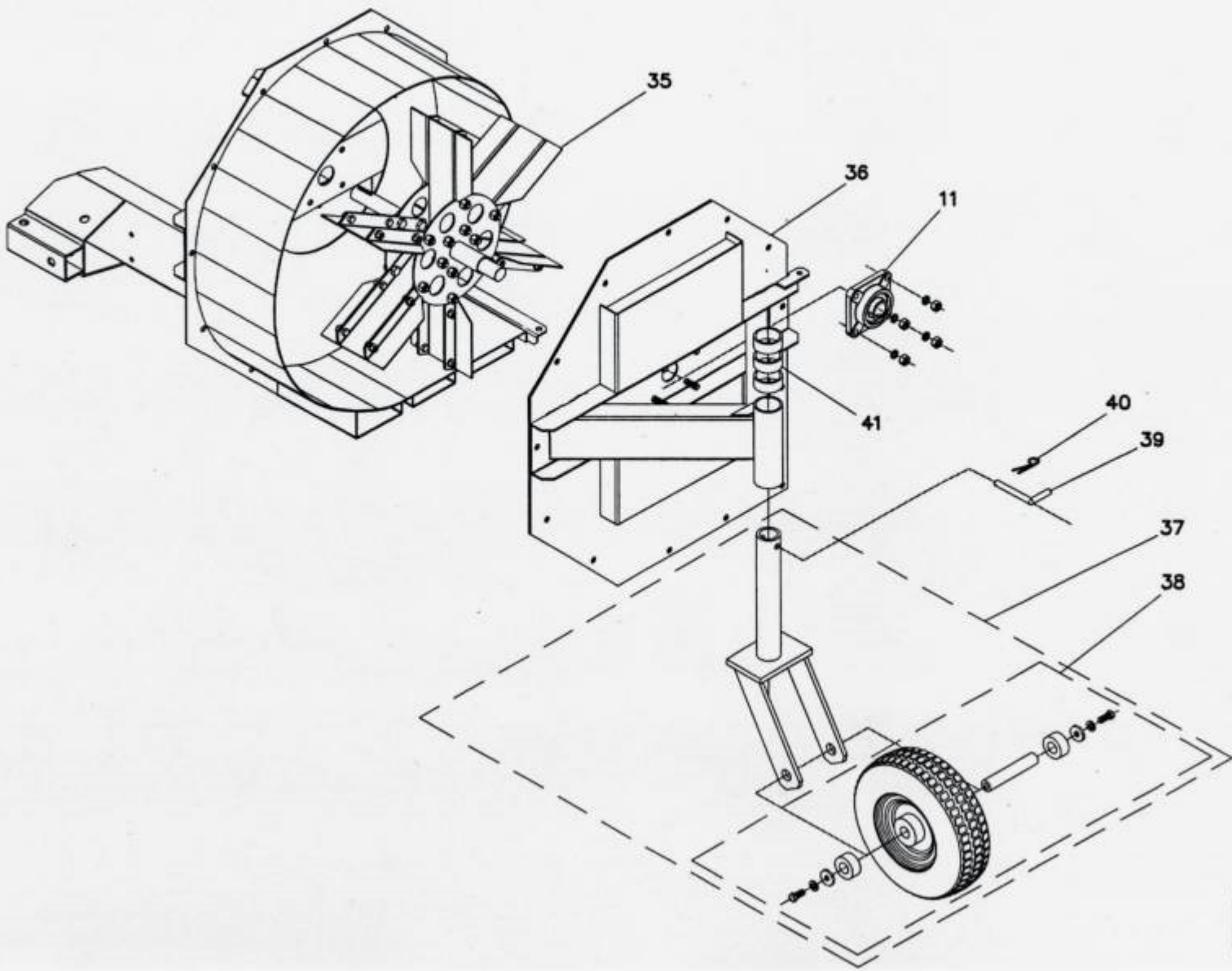
REF.	PART NO.	DESCRIPTION	QTE
N/I	12-58-3500	STICKER KIT (B.W.240 RANSOMES)	1
N/I	01-60-0005	STICKER AGRIMÉTAL INC "SMALL"	2
N/I	01-60-0065	STICKER CAUTION. DO NOT STAND IN FRONT OF EXIT DURING OPERATION...	2
N/I	01-60-0070	STICKER WARNING MISSING SHIELD HAZARD...	1
N/I	01-60-0100	STICKER WARNING MOVING PART HAZARD...	1
N/I	01-60-0115	STICKER WARNING ROTATING PART HAZARD...	1
N/I	03-60-0005	STICKER GREASE GUN	4
N/I	06-60-0000	STICKER AGRIMÉTAL INC "MEDIUM"	1
N/I	12-60-0000	STICKER CAUTION. READ OPERATOR,S MANUAL BEFORE USING...	2





## B.W.240 KUBOTA F-60

REF.	PART NO.	DESCRIPTION	QTE
1	12-55-1510	BELT GUARD (STICKER INCLUDED)	1
2	NC02-16-0008	WING NUT 3/8"-16	4
3	NC14-25-0894	V-BELT 6933 (5/8" X 33")	2
4	NC14-75-0033	PILLOW BLOC BEARING	2
5	12-42-0015	GUARD FOR INPUT SHAFT 1" D.I. X 3 3/8" LG	1
6	12-20-0130	DRIVE SHAFT 1" Dia. X 10" LG	1
N/I	NC02-44-0103	ALLENS SET SCREW 5/16"-18 X 3/8" LG	1
7	NC14-62-0073	PULLEY 2MB50 X Ø 1" KW 1/4" 2SS 5/16"-18	1
8	01-41-0910	SQUARE KEY 1/4" X 1/4" X 1 1/2" LG	1
9	NC14-62-0075	PULLEY 2MB50 X Ø 1 1/4" KW 1/4" 2SS 5/16"	1
N/I	NC02-44-0103	ALLENS SET SCREW 5/16"-18 X 3/8" LG	1
10	01-41-0910	SQUARE KEY 1/4" X 1/4" X 1 1/2" LG	1
11	12-38-0001	FLANGE BEARING 4 Ø UCF 207-20 X Ø 1 1/4" (GREASE FITTING 1/4"-28)	1
12	NC13-85-0014	SPRING 1" DIA. X 9" LG	1
13	NC01-52-0014	EYE BOLT 3/8"-16 X 5" LG	1
14	12-05-2010	BELT TIGHTENER	1
15	12-09-1200	BUSHING 1" X 1/2" X 1/2" LONG	1
16	03-55-0045	IDLER PULLEY 3" Dia. X 1 3/4" LG ASSY.	1
N/I	03-21-0005	IDLER PULLEY ALUMINIUM ONLY	1
N/I	NC14-75-0068	BEARING #99502H	2
N/I	NC01-64-0142	RETAINING RINGS INTERNAL FOR Ø 1 3/8"	1
17	12-55-1515	DEFLECTOR LEFT "STICKER INCUDED"	1
18	12-50-1035	CABLE SQUEEZER SUPPORT	1
19	12-13-1040	HITCH PIN 3/4" Dia.	2
20	NC01-63-0026	HITCH PIN CLIPS 5/32" X 3" LG	2
21	12-13-0600	SLIDE FOR CHUTE 1/2" Dia. X 22" LG	2
22	NC02-25-0011	FLAT WASHER Ø 17/32"	2
23	NC01-63-0015	HITCH PIN CLIPS 1/8" X 2 5/8" LG	2
24	12-42-0100	U.H.M.W. IDLER PULLEY 4" Dia. X 1 1/4" THICK	1
25	12-09-0100	BUSHING 3/4" Dia. X Ø 1/2" X 1 5/16" LG	1
26	NC17-02-0138	CABLE 45 1/4" LG ASSY.	1
27	NC01-81-0001	MALLEABLE CLIPS 1/8"	2
28	12-50-6000	CASING LEFT	1
29	12-13-1015	UNION FOR CASING AND COVER 3/4" Dia. X 11" LG	14
30	NC01-17-0396	BOLT HEX. 5/8"-11 X 2" LG (GRADE2)	4
31	NC02-07-0022	HEX. NUT 5/8"-11	4
32	12-55-1050	TURF ROLLER ASSY.	1
N/I	12-11-3520	TURF ROLLER ONLY 4" Dia. X 14 7/8" LG	1
N/I	12-42-0020	NYLON CAP 4" Dia. X 4" LG	2
33	12-13-1035	SHAFT 3/4" Dia. X 20" LG	1
34	NC01-63-0026	HITCH PIN CLIPS 5/32" X 3" LG	1



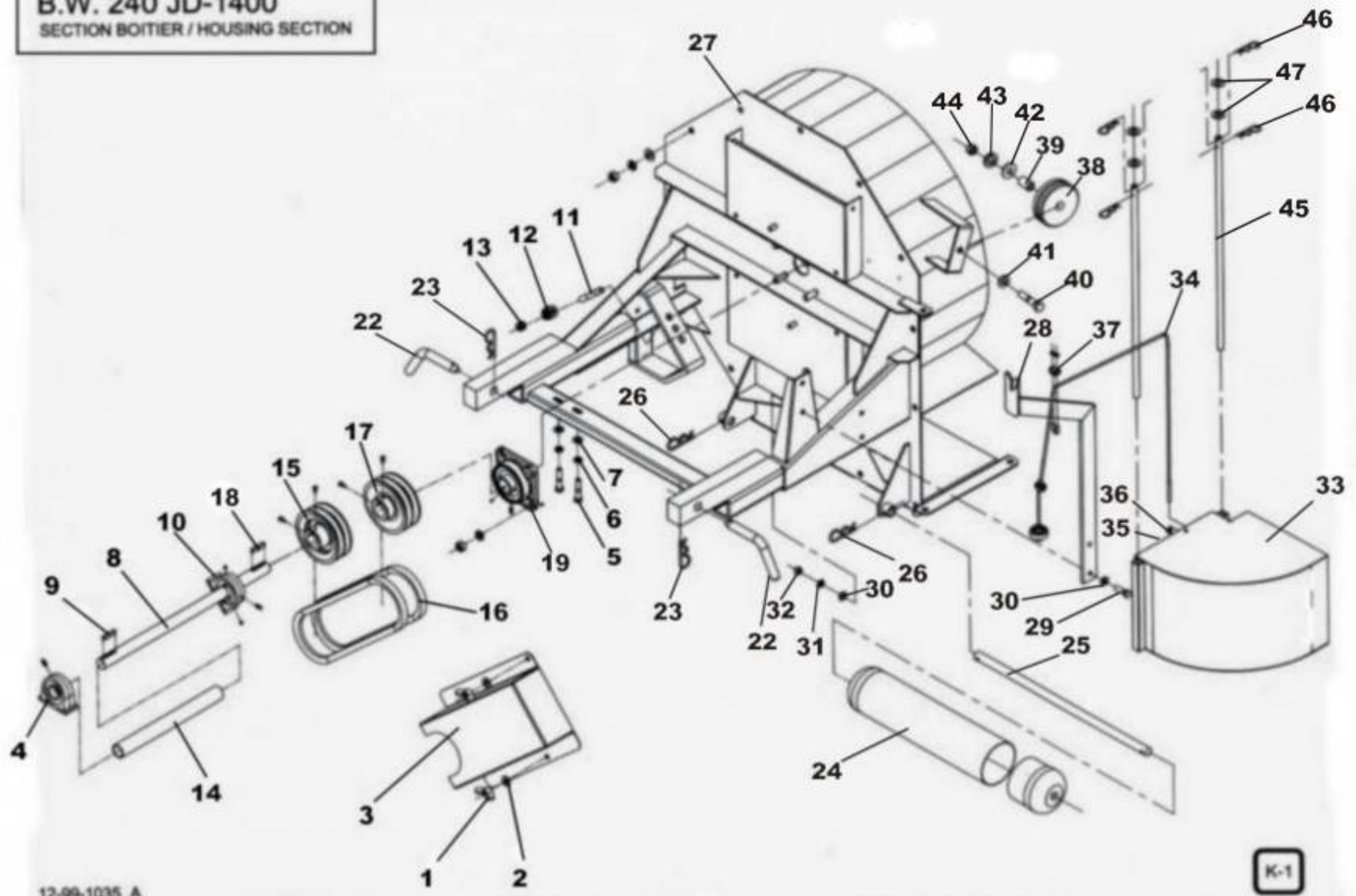
## B.W.240 KUBOTA F-60

REF.	PART NO.	DESCRIPTION	QTE
35	12-50-3010	IMPELLER	1
36	12-50-3005	COVER	1
37	12-55-1066	BEFORE -07/01 #21918- SWIVEEL WHEEL CASTER ASSY. (MODEL OLD)	1
37	12-55-1067	AFTER -07/01 #21918- SWIVEEL WHEEL CASTER ASSY. (MODEL NEW 2001)	1
N/I	12-55-2555	SWIVEL CASTER "STICKER INCLUDED"	1
38	NC14-70-0024	BEFORE -07/01 #21918- WHEEL 12 Dia. ASSY.	1
N/I	NC14-70-0047	BEFORE -07/01 #21918- TIRE	1
N/I	NC14-70-0037	BEFORE -07/01 #21918- RIM	1
N/I	NC14-70-0028	BEFORE -07/01 #21918- TUBE	1
N/I	NC14-70-0027	BEFORE -07/01 #21918- ROLLER BEARING	1
N/I	04-13-3400	BEFORE -07/01 #21918- SHOULDER BUSHING 2 3/8" Dia. X Ø 1 1/64" X 1/2" LG	2
N/I	12-13-1405	BEFORE -07/01 #21918- WHEEL AXLE 1" Dia. X 5 5/8" LG	1
N/I	04-42-0135	BEFORE -07/01 #21918- AXLE BUSHING 2" Dia. X 7/8" LG	2
N/I	NC01-17-0247	BEFORE -07/01 #21918- HEX.BOLT 1/2"-13 X 1" LG (GRADE 2 )	2
N/I	NC02-32-0014	BEFORE -07/01 #21918- LOCK WASHER Ø 1/2"	2
N/I	NC02-22-0012	BEFORE -07/01 #21918- FLAT WASHER ORD. Ø 9/16"	2
38	12-55-0049	AFTER -07/01 #21918- U.H.M.W. BLACK WHEEL ASSY.	1
N/I	NC14-70-0027	AFTER -07/01 #21918- ROLLER BEARING	2
N/I	12-42-0105	AFTER -07/01 #21918- PLASTIC WHEEL BUSHING (2" DIA. X .420" LG)	2
N/I	12-13-1405	AFTER -07/01 #21918- WHEEL AXLE 1" Dia. X 5 5/8" LG	1
N/I	NC01-17-0247	AFTER -07/01 #21918- HEX.BOLT 1/2"-13 X 1" LG (GRADE 2 )	2
N/I	NC02-32-0014	AFTER -07/01 #21918- LOCK WASHER Ø 1/2"	2
N/I	NC02-22-0012	AFTER -07/01 #21918- FLAT WASHER ORD. Ø 9/16"	2
39	12-30-9950	PIN 1/2" X 6" LG	1
40	NC01-63-0015	AFTER -07/01 #21918- HITCH PIN CLIPS 1/8" X 2 5/8" LG	1
41	12-10-0800	BUSHING 2 3/8" X 2" X 1" LG	3
42	12-38-0001	FLANGE BEARING 4 Ø UCF 207-20 X Ø 1 1/4" (GREASE FITTING 1/4"-28)	1

## STICKER B.W.240 KUBOTA F-60

REF.	PART NO.	DESCRIPTION	QTE
N/I	12-58-3000	STICKER KIT (BW 240 KUBOTA F-60)	1
N/I	01-60-0005	STICKER AGRIMÉTAL INC "SMALL"	2
N/I	01-60-0065	STICKER CAUTION. DO NOT STAND IN FRONT OF EXIT DURING OPERATION...	1
N/I	01-60-0070	STICKER WARNING MISSING SHIELD HAZARD...	1
N/I	01-60-0100	STICKER WARNING MOVING PART HAZARD...	1
N/I	01-60-0110	STICKER WARNING ROTATING PART HAZARD...	1
N/I	03-60-0005	STICKER GREASE GUN	5
N/I	06-60-0000	STICKER AGRIMÉTAL INC "MEDIUM"	1
N/I	12-60-0000	STICKER CAUTION. READ OPERATOR,S MANUAL BEFORE USING...	2

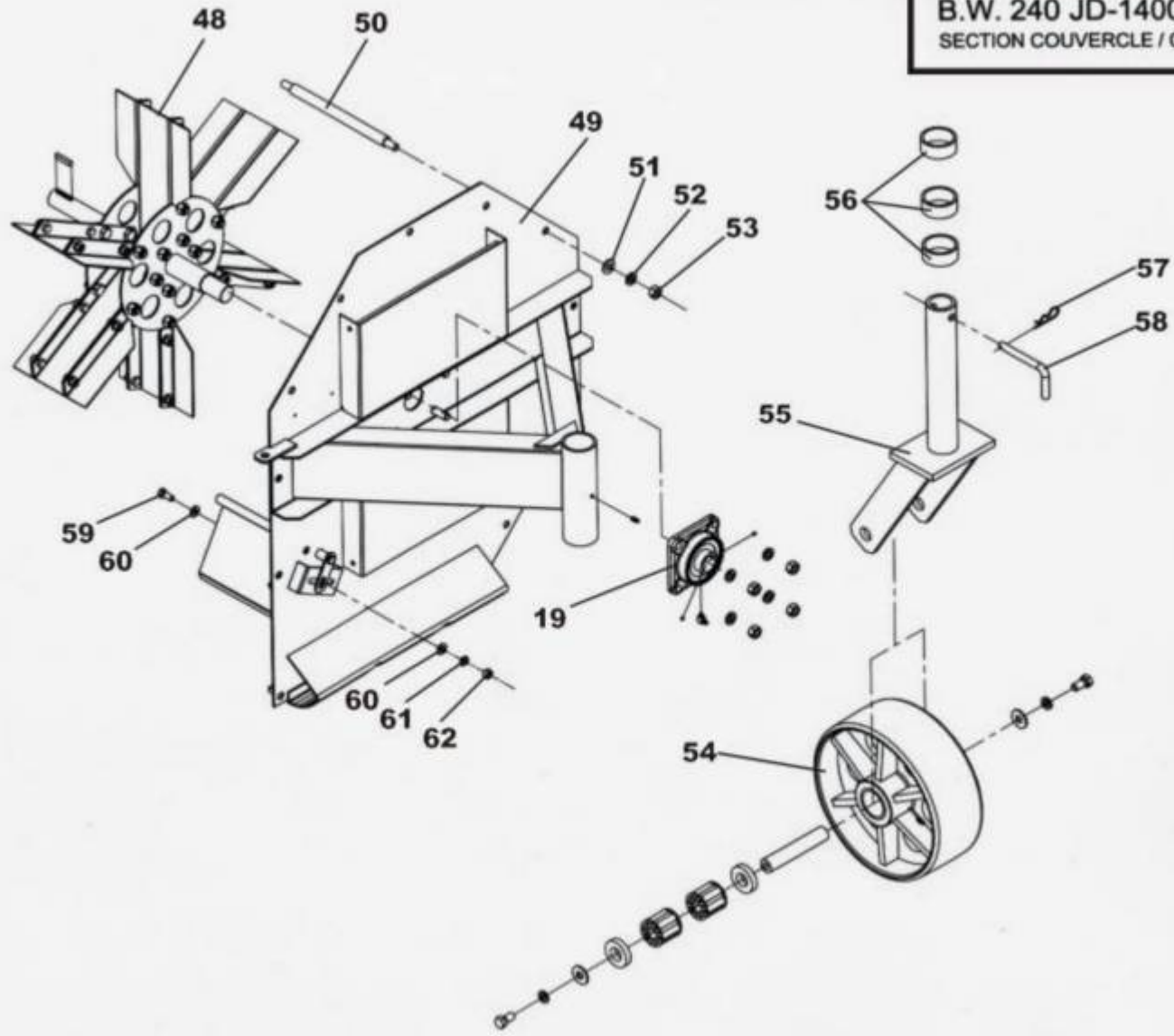
**B.W. 240 JD-1400**  
SECTION BOITIER / HOUSING SECTION



## B.W.240 JD-1400

REF.	PART NO.	DESCRIPTION	QTE
1	NC02-16-0008	WING NUT 3/8"-16	2
2	01-01-2485	FLAT WASHER 13/16" Dia. X Ø 25/64" X 14GA	2
3	12-55-4105	BELT GUARD " STICKER INCLUDED"	1
4	NC14-75-0037	PILLOW BEARING Ø 1" UCPA 205-16	1
N/I	NC01-69-0785	GREASE FITTING 1/4"-28 (STRAIGHT)	1
5	NC01-17-0117	HEX.BOLT3/8"-16 X 1 3/4" LG (GRADE 2)	2
6	NC02-32-0012	LOCK WASHER Ø 3/8"	2
7	01-01-2485	FLAT WASHER 13/16" Dia. X Ø 25/64" X 14GA	2
8	12-20-0140	INPUT SHAFT 1" DIA. X 19 3/4" LG	1
9	01-41-0910	SQUARE KEY 1/4" X 1/4" X 1 1/2" LG	2
10	12-38-0015	PILLOW BEARING UCPA 205-16 X Ø 1" (SPECIAL)	1
N/I	NC01-69-0785	GREASE FITTING 1/4"-28 (STRAIGHT)	1
11	12-30-9955	TIGHTENER BOLT FOR BEARING 1/2"-13 X 4" LG	2
12	NC13-86-0046	BLUE SPRING 1/2" X Ø 1" X 2" LONG	2
13	NC01-96-0014	NYLON INSERT LOCKNUTS 1/2"-13	2
14	12-42-0005	GUARD FOR INPUT SHAFT 1" D.I. X 12 1/2" LG	1
15	NC14-62-0161	PULLEY 2MB55 X Ø 1" KW 1/4" 2SS 5/16"-18	1
N/I	NC02-44-0103	ALLENS SET SCREW 5/16"-18 X 3/8" LG	2
16	NC14-25-0898	V-BELT 6937 (5/8" X 37")	2
17	NC14-62-0161	PULLEY 2MB55 X Ø 1" KW 1/4" 2SS 5/16"-18	1
N/I	NC02-44-0103	ALLENS SET SCREW 5/16"-18 X 3/8" LG	2
18	01-41-0910	SQUARE KEY 1/4" X 1/4" X 1 1/2" LG	1
19	12-38-0001	FLANGE BEARING 4 Ø UCF 207-20 X Ø 1 1/4" (GREASE FITTING 1/4"-28)	1
20	NC02-32-0014	LOCK WASHER Ø 1/2"	4
21	NC02-07-0020	HEX.NUT 1/2"-13	4
22	12-13-1060	HITCH PIN	2
23	NC01-63-0026	HITCH PIN CLIPS 5/32" X 3" LG	2
24	12-55-1050	TURF ROLLER ASSY.	1
N/I	12-11-3520	TURF ROLLER ONLY 4" Dia. X 14 7/8" LG	1
N/I	12-42-0020	NYLON CAP 4" Dia. X 4" LG	2
25	12-13-1035	SHAFT 3/4" Dia. X 20" LG	1
26	NC01-63-0026	HITCH PIN CLIPS 5/32" X 3" LG	1
27	12-50-8000	CASING	1
28	12-50-8010	CABLE SQUEEZER SUPPORT	1
29	NC01-17-0114	HEX.BOLT 3/8"-16 X 1" LG (GRADE2)	2
30	01-01-2485	FLAT WASHER 13/16" Dia. X Ø 25/64" X 14GA	4
31	NC02-32-0012	LOCK WASHER Ø 3/8"	2
32	NC02-07-0018	HEX.NUT 3/8"-16	2
33	12-55-1100	DEFLECTOR RIGHT "STICKER INCLUDED"	1
34	NC17-02-0138	CABLE 45 1/4" LG ASSY.	1
35	NC02-25-0007	FLAT WASHER 5/8" Dia. X Ø 9/32"	1
36	NC01-96-0009	NYLON INSERT LOCKNUTS 1/4"-20	1
37	NC01-81-0001	MALLEABLE CLIPS 1/8"	2
38	12-42-0100	U.H.M.W. IDLER PULLEY 4" Dia. X 1 1/4" THICK	1
39	12-09-0100	BUSHING 3/4" Dia. X Ø 1/2" X 1 5/16" LG	1
40	NC01-17-0253	HEX.BOLT 1/2"-13 X 2 1/2" LG (GRADE 2)	1
41	NC02-25-0011	FLAT WASHER Ø 17/32"	1
42	NC02-22-0012	FLAT WASHER ORD. Ø 9/16"	1
43	NC02-32-0014	LOCK WASHER Ø 1/2"	1
44	NC02-07-0020	HEX.NUT 1/2"-13	1
45	12-13-0600	SLIDE FOR CHUTE 1/2" Dia. X 22" LG	2
46	NC01-63-0015	HITCH PIN CLIPS 1/8" X 2 5/8" LG	2
47	NC02-25-0011	FLAT WASHER Ø 17/32"	2

B.W. 240 JD-1400  
SECTION COUVERCLE / COVER SECTION



**B.W.240 JD-1400**

REF.	PART NO.	DESCRIPTION	QTE
19	12-38-0001	FLANGE BEARING 4 Ø UCF 207-20 X Ø 1 1/4" (GREASE FITTING 1/4"-28)	2
48	12-50-1015	IMPELLER	1
49	12-50-1010	COVER	1
50	12-13-1015	UNION FOR CASING AND COVER 3/4" Dia. X 11" LG	14
51	NC02-25-0011	FLAT WASHER Ø 17/32"	2
52	NC02-32-0014	LOCK WASHER Ø 1/2"	2
53	NC02-07-0020	HEX.NUT 1/2"-13	2
54	12-55-0049	U.H.M.W. BLACK WHEEL ASSY.	1
N/I	NC14-70-0027	ROLLER BEARING	2
N/I	12-42-0105	PLASTIC WHEEL BUSHING (2" DIA. X .420" LG)	2
N/I	12-13-1405	WHEEL AXLE 1" Dia. X 5 5/8" LG	1
N/I	NC01-17-0247	HEX.BOLT 1/2"-13 X 1" LG (GRADE 2 )	2
N/I	NC02-32-0014	LOCK WASHER Ø 1/2"	2
N/I	NC02-22-0012	FLAT WASHER ORD. Ø 9/16"	2
55	12-55-1067	SWIVEEL WHEEL CASTER ASSY. (MODEL NEW 2001)	1
56	12-10-0800	BUSHING 2 3/8" X 2" X 1" LG	3
57	NC01-63-0015	HITCH PIN CLIPS 1/8" X 2 5/8" LG	1
58	12-30-9950	PIN 1/2" X 6" LG	1
59	NC01-17-0114	HEX.BOLT 3/8"-16 X 1" LG (GRADE2)	1
60	01-01-2485	FLAT WASHER 13/16" Dia. X Ø 25/64" X 14GA	2
61	NC02-32-0012	LOCK WASHER Ø 3/8"	1
62	NC02-07-0018	HEX.NUT 3/8"-16	1



## STICKER B.W.240 JD-1400

REF.	PART NO.	DESCRIPTION	QTE
N/I	12-58-1000	STICKER KIT (BW 240 JD-2 & JD-1400 & NEW HOLLAND)	1
N/I	01-60-0005	STICKER AGRIMÉ TAL INC "SMALL"	2
N/I	01-60-0065	STICKER CAUTION. DO NOT STAND IN FRONT OF EXIT DURING OPERATION...	2
N/I	01-60-0070	STICKER WARNING MISSING SHIELD HAZARD...	1
N/I	01-60-0100	STICKER WARNING MOVING PART HAZARD...	1
N/I	01-60-0115	STICKER WARNING ROTATING PART HAZARD...	1
N/I	03-60-0005	STICKER GREASE GUN	5
N/I	06-60-0000	STICKER AGRIMÉ TAL INC "MEDIUM"	1
N/I	12-60-0000	STICKER CAUTION. READ OPERATOR,S MANUAL BEFORE USING...	2