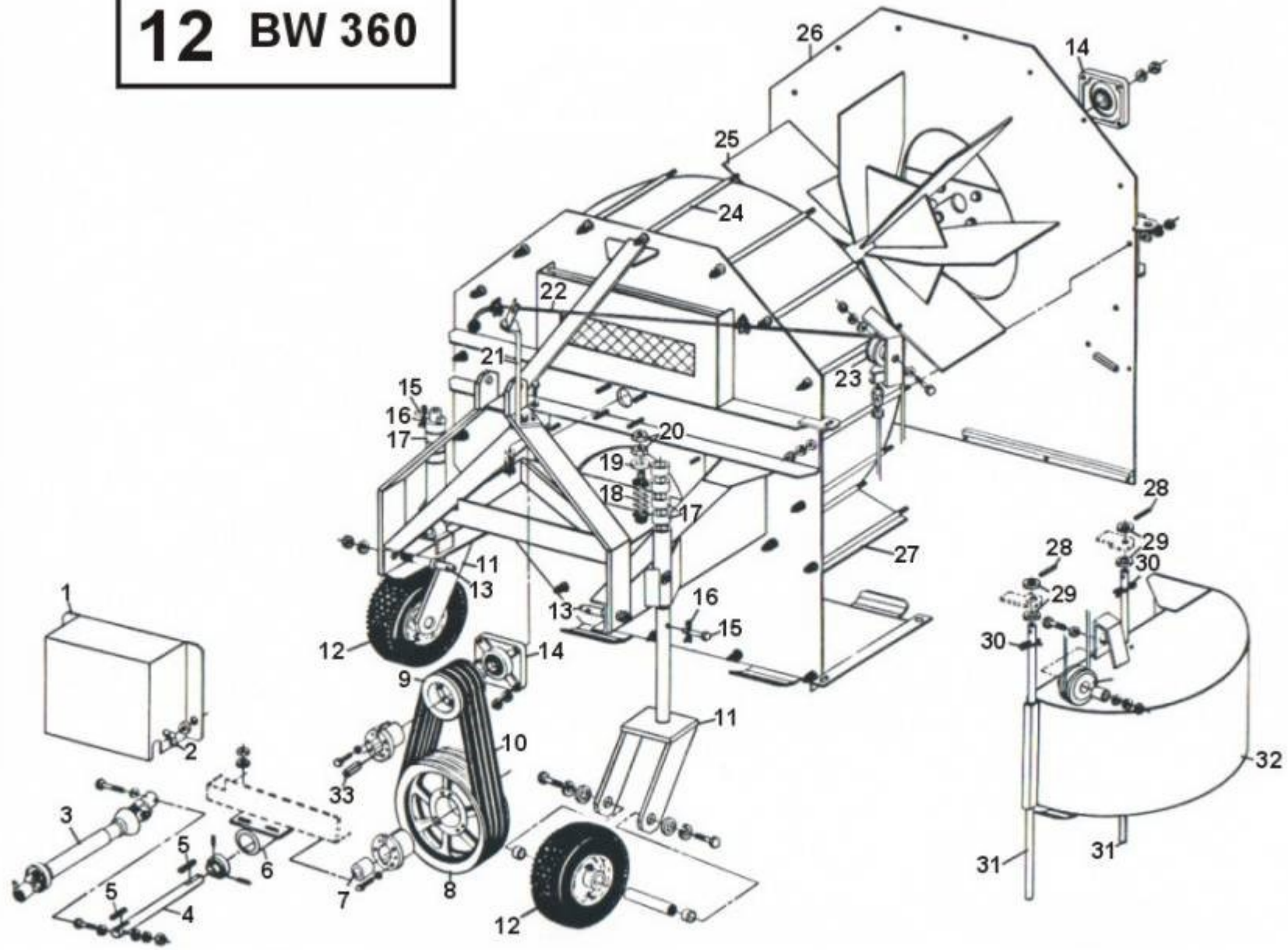


12 BW 360



A

B.W.360

REF.	PART NO.	DESCRIPTION	QTE
1	12-55-0070	BELT GUARD "STICKER INCLUDED"	1
2	NC02-16-0008	WING NUT 3/8"-16	2
3	12-34-0035	BEFORE -04/93 #12354- PTO SHAFT (T40) 1 3/8" X 6 SPLINES - Ø 1 1/2 K.W. 3/8" X 36" LG	1
N/I	12-34-0036	BETWEEN -04/93 #12354- PTO SHAFT (T60) 1 3/8" X 6 SPLINES - Ø 1 1/2 K.W. 3/8" X 36 5/8" LG	1
N/I	12-34-0037	AFTER -10/00 #21267- PTO SHAFT (T60) 1 3/8" X 6 SPLINES - Ø 1 1/2 K.W. 3/8" X 37 5/8" LG	1
N/I	12-11-3530	BEFORE -12/00 #21445- BUSHING 1 3/4" Dia. X 1/4" LG "P.T.O."	1
4	12-20-0055	DRIVE SHAFT 1 1/2" Dia. X 14 1/2" LG	1
5	12-41-0915	SQUARE KEY 3/8" X 3/8" X 1 3/4" LG	2
6	12-55-0010	CASING & BEARING ASSY.	1
N/I	12-50-0035	CASING ONLY	1
N/I	NC14-75-0063	BEARING UC208-24 X Ø 1 1/2"	2
7	12-11-3525	BUSHING 1 3/4" Dia. X 7/8" LG "PULLEY 4B12.4"	1
8	NC14-62-0110	CAST IRON SHAVE PULLEY 4B12.4 SK	1
N/I	NC14-62-0021	TAPERED QD BUSHING SK 1 1/2" KW 3/8"	1
9	NC14-62-0106	CAST IRON SHAVE PULLEY 4B5.0 SD	1
N/I	NC14-62-0008	TAPERED QD BUSHING SD 1 3/4" KW 3/8"	1
10	NC14-25-0363	V BELT B-50 (5/8" X 53")	4
11	12-55-0046	BEFORE -01/87 #06695- SWIVEL WHEEL CASTER ASSY.(MODEL OLD)	2
11	12-55-0047	AFTER -07/01 #21922- SWIVEL WHEEL CASTER ASSY. (MODEL NEW 2001)	2
N/I	12-55-0410	SWIVEL CASTER "STICKER INCLUDED" (BW-360)	1
12	NC14-70-0024	BEFORE -07/01 #21922- WHEEL 12 Dia. ASSY.	2
N/I	NC14-70-0047	BEFORE -07/01 #21922- TIRE	1
N/I	NC14-70-0037	BEFORE -07/01 #21922- RIM	1
N/I	NC14-70-0028	BEFORE -07/01 #21922- TUBE	1
N/I	NC14-70-0027	BEFORE -07/01 #21922- ROLLER BEARING	1
N/I	04-13-3400	BEFORE -07/01 #21922- SHOULDER BUSHING 2 3/8" Dia. X Ø 1 1/64" X 1/2" LG	1
N/I	12-13-1405	BEFORE -07/01 #21922- WHEEL AXLE 1" Dia. X 5 5/8" LG	1
N/I	04-42-0135	BEFORE -07/01 #21922- AXLE BUSHING 2" Dia. X 7/8" LG	2
N/I	NC01-17-0247	BEFORE -07/01 #21922- HEX.BOLT 1/2"-13 X 1" LG (GRADE 2)	1
N/I	NC02-32-0014	BEFORE -07/01 #21922- LOCK WASHER Ø 1/2"	1
N/I	NC02-22-0012	BEFORE -07/01 #21922- FLAT WASHER ORD. Ø 9/16"	1
12	12-55-0047	AFTER -07/01 #21922- SWIVEL WHEEL CASTER ASSY. (MODEL NEW 2001)	2
N/I	12-55-0049	AFTER -07/01 #21922- U.H.M.W. BLACK WHEEL ASSY.	2
N/I	NC14-70-0027	AFTER -07/01 #21922- ROLLER BEARING	2
N/I	12-42-0105	AFTER -07/01 #21922- PLASTIC WHEEL BUSHING (2" DIA. X .420" LG)	2
N/I	12-13-1405	AFTER -07/01 #21922- WHEEL AXLE 1" Dia. X 5 5/8" LG	1
N/I	NC01-17-0247	AFTER -07/01 #21922- HEX.BOLT 1/2"-13 X 1" LG (GRADE 2)	2
N/I	NC02-32-0014	AFTER -07/01 #21922- LOCK WASHER Ø 1/2"	2
N/I	NC02-22-0012	AFTER -07/01 #21922- FLAT WASHER ORD. Ø 9/16"	2
13	NC01-78-0002	HITCH PIN	2
N/I	12-01-3015	BEARING PROTECTOR (BW 360)	1
14	12-38-0025	FLANGE BEARING Ø 1 3/4" UCF 209-28	2
15	12-30-9950	PIN 1/2" X 6" LG	2
16	NC01-63-0015	HITCH PIN CLIPS 1/8" X 2 5/8" LG	2
17	12-10-0800	BUSHING 2 3/8" X 2" X 1" LG	8
18	09-44-0005	SPRING 2" Dia. X 4" LG	1
19	09-04-0050	FLAT WASHER 1 49/64" Dia. X Ø 7/8" X 3/16"	1
20	NC02-07-0024	HEX.NUT 7/8"- 9	1
21	12-50-0030	CABLE SQUEEZER SUPPORT	1
22	12-55-0004	BEFORE -11/93 #13075- CABLE 96" LG ASSY.	1
N/I	NC17-02-0141	AFTER -11/93 #13075- CABLE 107 1/4" LG ASSY.	1
23	12-42-0100	U.H.M.W. IDLER PULLEY 4" Dia. X 1 1/4" THICK	2
N/I	12-09-0100	BUSHING 3/4" Dia. X Ø 1/2" X 1 5/16" LG	2
24	12-13-1005	UNION FOR CASING AND COVER 3/4" Dia. X 14" LONG	18
25	12-50-0025	IMPELLER	1
26	12-55-0405	COVER "STICKER INCLUDED" (BW-360)	1

B.W.360

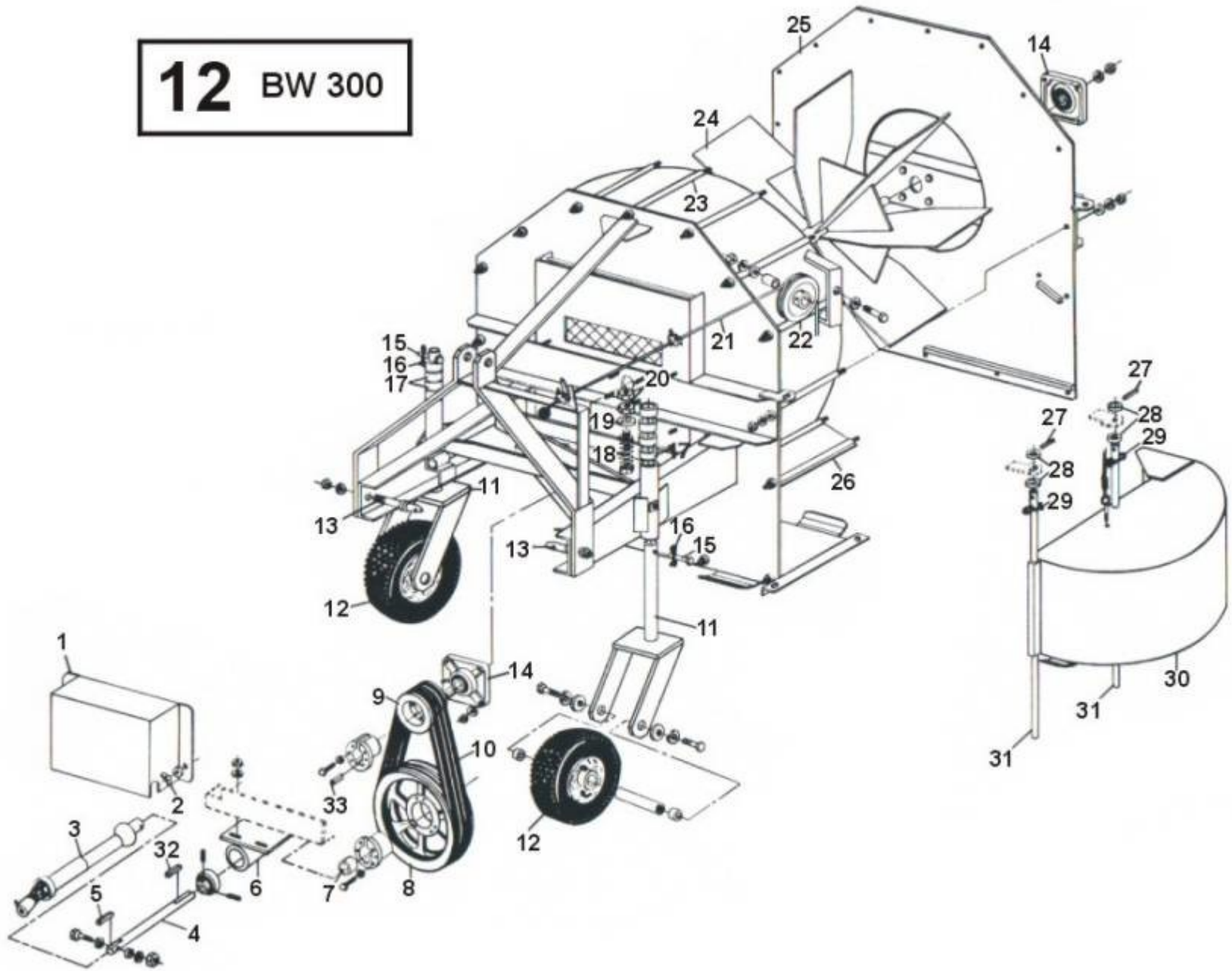
REF.	PART NO.	DESCRIPTION	QTE
27	12-55-0400	CASING "STICKER INCLUDED" (BW-360)	1
28	NC01-69-0463	SPRING PIN 1/4" X 1 3/4" LG	2
29	01-33-0035	FLAT WASHER 1 1/4" Dia. X Ø 3/4" X 10GA	4
30	NC01-63-0026	HITCH PIN CLIPS 5/32" X 3" LG	2
31	12-11-4000	BEFORE -02/93 #12499- SLIDE 3/4" Dia. X 32" LG	2
N/I	12-13-1045	AFTER -02/93 #12499- SLIDE 3/4" Dia. X 25" LG	2
32	12-55-0065	DEFLECTOR LEFT "STICKER INCLUDED"	1
33	12-41-0910	SQUARE KEY 3/8" X 5/16" X 1 3/4" LG	1

N/I	12-51-0015	TURF ROLLER BRACKETS LEFT	1
N/I	12-51-0017	TURF ROLLER BRACKETS RIGTH	1
N/I	12-13-1025	SHAFT 3/4" Dia. X 29" LONG	1
N/I	12-55-0015	TURF ROLLER ASSY.	1
N/I	12-11-3510	TURF ROLLER ONLY 4" Dia. X 23 7/8" LONG	1
N/I	12-42-0020	NYLON CAP 4" Dia. X 4" LG	2
N/I	NC01-63-0026	HITCH PIN CLIPS 5/32" X 3" LG	1
N/I	12-50-0045	BELT TIGHTENER (8 3/4" LG)	1
N/I	12-55-0610	PTO SHAFT GUARD ASSY."STICKER INCLUDED"	1

STICKER B.W.360

REF.	PART NO.	DESCRIPTION	QTE
N/I	12-58-0000	STICKER KIT (BW 360 / BW 300 / BW 300 +)	1
N/I	01-60-0065	STICKER CAUTION. DO NOT STAND IN FRONT OF EXIT DURING OPERATION...	2
N/I	01-60-0070	STICKER WARNING MISSING SHIELD HAZARD...	1
N/I	01-60-0100	STICKER WARNING MOVING PART HAZARD...	2
N/I	01-60-0115	STICKER WARNING ROTATING PART HAZARD...	1
N/I	03-60-0005	STICKER GREASE GUN	9
N/I	06-60-0000	STICKER AGRIMÉTAL INC "MEDIUM"	2
N/I	09-60-0015	STICKER IMPORTANT.(SPRING) 3 3/4" / 95 MM	1
N/I	12-60-0000	STICKER CAUTION. READ OPERATOR,S MANUAL BEFORE USING...	2

12 BW 300



B.W.300

REF.	PART NO.	DESCRIPTION	QTE
1	12-55-0560	BELT GUARD ASSY."STICKER INCLUDED"	1
2	NC02-16-0008	WING NUT 3/8"-16	2
3	02-34-0045	BEFORE -10/00 #21314- PTO SHAFT (T40) 1 3/8" X 6 SPLINES - Ø 1 1/4" K.W. 5/16" X 35 3/4" LG	1
N/I	12-34-0060	AFTER -10/00 #21314- PTO SHAFT (T40) 1 3/8" X 6 SPLINES - Ø 1 1/4" K.W. 5/16" X 36 5/8" LG	1
N/I	12-09-0705	BEFORE -12/00 #21058- PTO SHAFT BUSHING 1 1/2" X 1 1/4" X 1" LG "P.T.O."	1
N/I	12-09-0710	AFTER -12/00 #21058- PTO SHAFT BUSHING 1 1/2" X 1 1/4" X 1/4" LG "P.T.O."	1
4	12-20-0050	DRIVE SHAFT 1 1/4" Dia. X 12 1/2" LG	1
5	01-41-0915	SQUARE KEY 5/16" X 5/16" X 1 1/2" LG	1
6	12-55-0510	CASING & BEARING ASSY.	1
N/I	12-50-2030	CASING ONLY	1
N/I	NC14-75-0062	BALL BEARING UC207-20 X Ø 1 1/4"	2
7	12-09-0700	PTO SHAFT BUSHING 1 1/2" X 1 1/4" X 1/2" LG "PULLEY 3B11.0"	1
8	NC14-62-0104	BEFORE -03/96 #15266- CAST IRON SHAVE PULLEY 3B9.4 SK	1
N/I	NC14-62-0105	AFTER -03/96 #15266- CAST IRON SHAVE PULLEY 3B11.0 SK	1
N/I	NC14-62-0019	TAPERED QD BUSHING SK Ø 1 1/4" K.W. 1/4" (PTO)	1
9	NC14-62-0095	CAST IRON SHAVE PULLEY 3B3.8 SH	1
N/I	NC14-62-0016	TAPERED QD BUSHING SH Ø 1 1/4" K.W. 1/4"	1
10	NC14-25-0906	V-BELT 6944 (5/8" X 44")	3
11	12-55-0541	BEFORE -08/01 #21979- SWIVEL WHEEL CASTER ASSY. (MODEL OLD)	2
11	12-55-0542	AFTER -08/01 #21979- SWIVEL WHEEL CASTER ASSY. (MODEL NEW 2001)	1
N/I	12-55-0630	SWIVEL CASTER "STICKER INCLUDED"	1
12	NC14-70-0024	BEFORE -08/01 #21979- WHEEL 12 Dia. ASSY.	2
N/I	NC14-70-0047	BEFORE -08/01 #21979- TIRE	1
N/I	NC14-70-0037	BEFORE -08/01 #21979- RIM	1
N/I	NC14-70-0028	BEFORE -08/01 #21979- TUBE	1
N/I	NC14-70-0027	BEFORE -08/01 #21979- ROLLER BEARING	1
N/I	04-13-3400	BEFORE -08/01 #21979- SHOULDER BUSHING 2 3/8" Dia. X Ø 1 1/64" X 1/2" LG	2
N/I	12-13-1405	BEFORE -08/01 #21979- WHEEL AXLE 1" Dia. X 5 5/8" LG	1
N/I	04-42-0135	BEFORE -08/01 #21979- AXLE BUSHING 2" Dia. X 7/8" LG	2
N/I	NC01-17-0247	BEFORE -08/01 #21979- HEX.BOLT 1/2"-13 X 1" LG (GRADE 2)	1
N/I	NC02-32-0014	BEFORE -08/01 #21979- LOCK WASHER Ø 1/2"	1
N/I	NC02-22-0012	BEFORE -08/01 #21979- FLAT WASHER ORD. Ø 9/16"	1
12	12-55-0542	AFTER -08/01 #21979- SWIVEL WHEEL CASTER ASSY. (MODEL NEW 2001)	
N/I	12-55-0049	AFTER -08/01 #21979- U.H.M.W. BLACK WHEEL ASSY.	2
N/I	NC14-70-0027	AFTER -08/01 #21979- ROLLER BEARING	2
N/I	12-42-0105	AFTER -08/01 #21979- PLASTIC WHEEL BUSHING (2" DIA. X .420" LG)	2
N/I	12-13-1405	AFTER -08/01 #21979- WHEEL AXLE 1" Dia. X 5 5/8" LG	1
N/I	NC01-17-0247	AFTER -08/01 #21979- HEX.BOLT 1/2"-13 X 1" LG (GRADE 2)	2
N/I	NC02-32-0014	AFTER -08/01 #21979- LOCK WASHER Ø 1/2"	2
N/I	NC02-22-0012	AFTER -08/01 #21979- FLAT WASHER ORD. Ø 9/16"	2
13	NC01-78-0002	HITCH PIN	2
14	12-38-0030	FLANGE BEARING UCF 208-24 X Ø 1 1/2 X Ø 1/4"-28	2
N/I	12-01-3020	BEARING GUARD	1
15	12-30-9950	PIN 1/2" X 6" LG	2
16	NC01-63-0015	HITCH PIN CLIPS 1/8" X 2 5/8" LG	2
17	12-10-0800	BUSHING 2 3/8" X 2" X 1" LG	6
18	09-44-0005	SPRING 2" Dia. X 4" LG	1
19	09-04-0050	FLAT WASHER 1 49/64" Dia. X Ø 7/8" X 3/16"	1
20	NC02-07-0024	HEX.NUT 7/8"- 9	1
21	12-55-0504	BEFORE -11/93 #13165- CABLE 62" LG ASSY.	1
N/I	NC17-02-0140	AFTER -11/93 #13165- CABLE 71 1/4" LG ASSY.	1
22	12-42-0100	U.H.M.W. IDLER PULLEY 4" Dia. X 1 1/4" THICK	1
N/I	12-09-0100	BUSHING 3/4" Dia. X Ø 1/2" X 1 5/16" LG	1
23	12-13-1020	UNION FOR CASING AND COVER 3/4" Dia. X 12 1/2" LG	17
24	12-50-2025	IMPELLER	1
25	12-55-0625	COVER "STICKER INCLUDED"	1

B.W.300

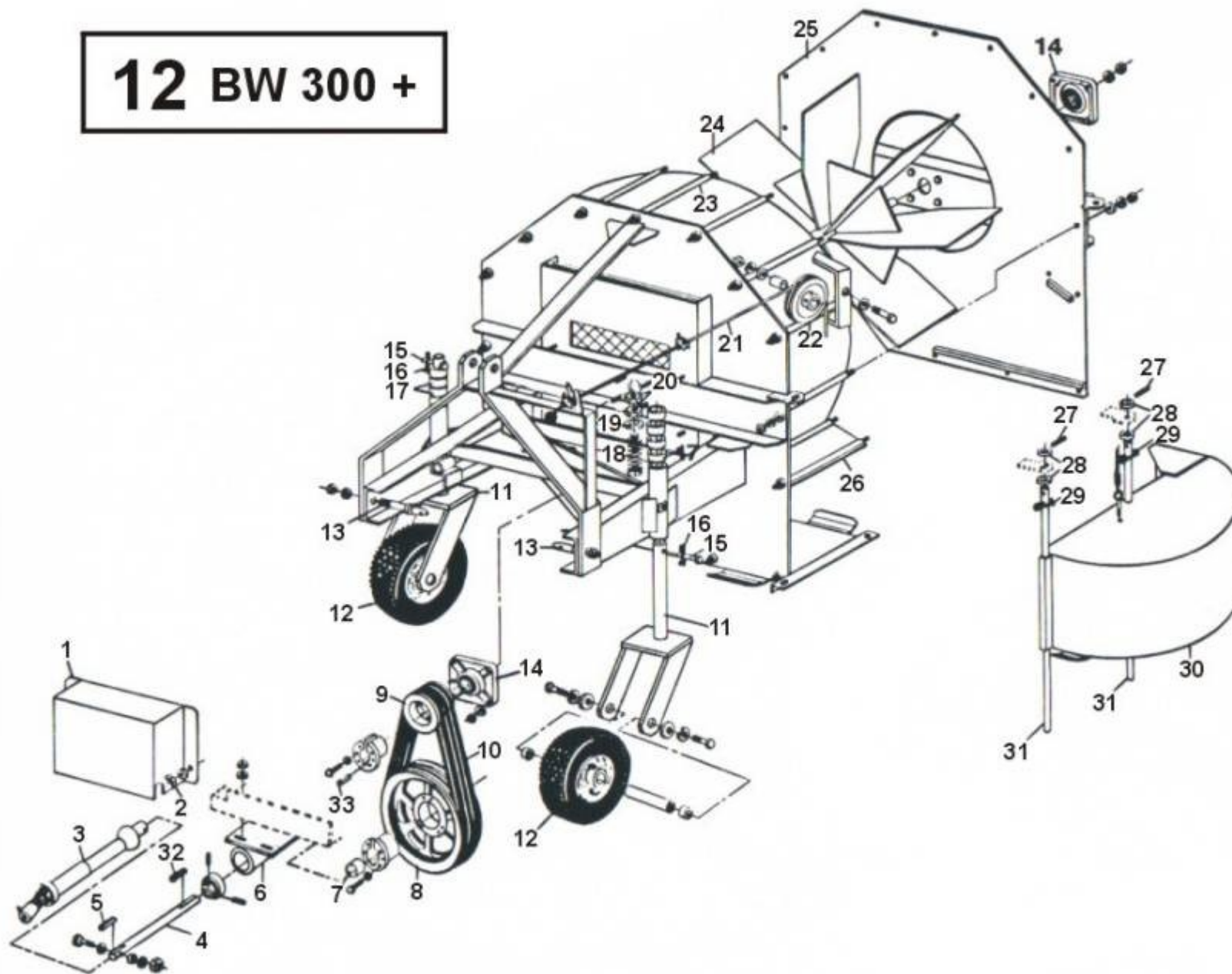
REF.	PART NO.	DESCRIPTION	QTE
26	12-55-0620	CASING "STICKER INCLUDED"	1
27	NC01-69-0463	SPRING PIN 1/4" X 1 3/4" LG	2
28	01-33-0035	FLAT WASHER 1 1/4" Dia. X Ø 3/4" X 10GA	4
29	NC01-63-0026	HITCH PIN CLIPS 5/32" X 3" LG	2
30	12-55-0555	DEFLECTOR LEFT ASSY."STICKER INCLUDED"	1
31	12-11-4005	BEFORE -02/93 #13165- SLIDE 3/4" Dia. X 27 " LG	2
N/I	12-13-1050	AFTER -02/93 #13165- SLIDE 3/4" Dia. X 20 3/4" LG	2
32	01-41-0910	SQUARE KEY 1/4" X 1/4" X 1 1/2" LG	1
33	01-41-0910	SQUARE KEY 1/4" X 1/4" X 1 1/2" LG	1

N/I	12-51-0015	TURF ROLLER BRACKETS LEFT	1
N/I	12-51-0017	TURF ROLLER BRACKETS RIGTH	1
N/I	12-13-1030	ROLLER SHAFT 3/4" Dia. X 24 1/2" LG	1
N/I	12-55-0515	TURF ROLLER ASSY.	1
N/I	12-11-3515	TURF ROLLER ONLY 4" Dia. X 19 3/8" LG	1
N/I	12-42-0020	NYLON CAP 4" Dia. X 4" LG	2
N/I	NC01-63-0026	HITCH PIN CLIPS 5/32" X 3" LG	1
N/I	12-50-0045	BELT TIGHTENER (8 3/4" LG)	
N/I	12-55-0600	PTO SHAFT GUARD ASSY."STICKER INCLUDED"	1

STICKER B.W.300

REF.	PART NO.	DESCRIPTION	QTE
N/I	12-58-0000	STICKER KIT (BW 360 / BW 300 / BW 300 +)	1
N/I	01-60-0065	STICKER CAUTION. DO NOT STAND IN FRONT OF EXIT DURING OPERATION...	2
N/I	01-60-0070	STICKER WARNING MISSING SHIELD HAZARD...	1
N/I	01-60-0100	STICKER WARNING MOVING PART HAZARD...	2
N/I	01-60-0115	STICKER WARNING ROTATING PART HAZARD...	1
N/I	03-60-0005	STICKER GREASE GUN	9
N/I	06-60-0000	STICKER AGRIMÉTAL INC "MEDIUM"	2
N/I	09-60-0015	STICKER IMPORTANT.(SPRING) 3 3/4" / 95 MM	1
N/I	12-60-0000	STICKER CAUTION. READ OPERATOR,S MANUAL BEFORE USING...	2

12 BW 300 +



C

B.W.300 +

REF.	PART NO.	DESCRIPTION	QTE
1	12-55-0560	BELT GUARD ASSY."STICKER INCLUDED"	1
2	NC02-16-0008	WING NUT 3/8"-16	2
3	02-34-0045	BEFORE -10/00 #21314- PTO SHAFT (T40) 1 3/8" X 6 SPLINES - Ø 1 1/4" K.W. 5/16" X 35 3/4" LG	1
N/I	12-34-0060	AFTER -10/00 #21314- PTO SHAFT (T40) 1 3/8" X 6 SPLINES - Ø 1 1/4" K.W. 5/16" X 36 5/8" LG	1
N/I	12-09-0705	BEFORE -12/00 #21058- PTO SHAFT BUSHING 1 1/2" X 1 1/4" X 1" LG "P.T.O."	1
N/I	12-09-0710	AFTER -12/00 #21058- PTO SHAFT BUSHING 1 1/2" X 1 1/4" X 1/4" LG "P.T.O."	1
4	12-20-0050	DRIVE SHAFT 1 1/4" Dia. X 12 1/2" LG	1
5	01-41-0915	SQUARE KEY 5/16" X 5/16" X 1 1/2" LG	1
6	12-55-0510	CASING & BEARING ASSY.	1
N/I	12-50-2030	CASING ONLY	1
N/I	NC14-75-0062	BALL BEARING UC207-20 X Ø 1 1/4"	2
N/I	12-21-0000	ALUMINIUM SPACER 1 1/2" Dia. X 1 1/2" LG	4
7	12-09-0700	PTO SHAFT BUSHING 1 1/2" X 1 1/4" X 1/2" LG "POULIE 3B12.4"	1
8	NC14-62-0123	BEFORE -06/98 #18175- CAST IRON SHAVE PULLEY 3B13.6 SK	1
N/I	NC14-62-0138	AFTER -06/98 #18175- CAST IRON SHAVE PULLEY 3B12.4 SK	1
N/I	NC14-62-0019	TAPERED QD BUSHING SK Ø 1 1/4" K.W. 1/4" (PTO)	1
9	NC14-62-0095	CAST IRON SHAVE PULLEY 3B3.8 SH	1
N/I	NC14-62-0016	TAPERED QD BUSHING SH Ø 1 1/4" K.W. 1/4"	1
10	NC14-25-0912	V-BELT 6950 (5/8" X 50")	3
11	12-55-0541	BEFORE -07/01 #21934- SWIVEL WHEEL CASTER ASSY. (MODEL OLD)	2
11	12-55-0542	AFTER -07/01 #21934- SWIVEL WHEEL CASTER ASSY. (MODEL NEW 2001)	2
N/I	12-55-0630	SWIVEL CASTER "STICKER INCLUDED"	1
12	NC14-70-0024	BEFORE -07/01 #21934- WHEEL 12 Dia. ASSY.	2
N/I	NC14-70-0047	BEFORE -07/01 #21934- TIRE	1
N/I	NC14-70-0037	BEFORE -07/01 #21934- RIM	1
N/I	NC14-70-0028	BEFORE -07/01 #21934- TUBE	1
N/I	NC14-70-0027	BEFORE -07/01 #21934- ROLLER BEARING	1
N/I	04-13-3400	BEFORE -07/01 #21934- SHOULDER BUSHING 2 3/8" Dia. X Ø 1 1/64" X 1/2" LG	1
N/I	12-13-1405	BEFORE -07/01 #21934- WHEEL AXLE 1" Dia. X 5 5/8" LG	1
N/I	04-42-0135	BEFORE -07/01 #21934- AXLE BUSHING 2" Dia. X 7/8" LG	2
N/I	NC01-17-0247	BEFORE -07/01 #21934- HEX.BOLT 1/2"-13 X 1" LG (GRADE 2)	1
N/I	NC02-32-0014	BEFORE -07/01 #21934- LOCK WASHER Ø 1/2"	1
N/I	NC02-22-0012	BEFORE -07/01 #21934- FLAT WASHER ORD. Ø 9/16"	1
12	12-55-0049	AFTER -07/01 #21934- U.H.M.W. BLACK WHEEL ASSY.	2
N/I	NC14-70-0027	AFTER -07/01 #21934- ROLLER BEARING	2
N/I	12-42-0105	AFTER -07/01 #21934- PLASTIC WHEEL BUSHING (2" DIA. X .420" LG)	2
N/I	12-13-1405	AFTER -07/01 #21934- WHEEL AXLE 1" Dia. X 5 5/8" LG	1
N/I	NC01-17-0247	AFTER -07/01 #21934- HEX.BOLT 1/2"-13 X 1" LG (GRADE 2)	2
N/I	NC02-32-0014	AFTER -07/01 #21934- LOCK WASHER Ø 1/2"	2
N/I	NC02-22-0012	AFTER -07/01 #21934- FLAT WASHER ORD. Ø 9/16"	2
13	NC01-78-0002	HITCH PIN	2
14	12-38-0030	FLANGE BEARING UCF 208-24 X Ø 1 1/2 X Ø 1/4"-28	2
N/I	12-01-3020	BEARING GUARD	1
15	12-30-9950	PIN 1/2" X 6" LG	2
16	NC01-63-0015	HITCH PIN CLIPS 1/8" X 2 5/8" LG	2
17	12-10-0800	BUSHING 2 3/8" X 2" X 1" LG	6
18	09-44-0005	SPRING 2" Dia. X 4" LG	1
19	09-04-0050	FLAT WASHER 1 49/64" Dia. X Ø 7/8" X 3/16"	1
20	NC02-07-0024	HEX.NUT 7/8"- 9	1
21	NC17-02-0140	CABLE 71 1/4" LG ASSY.	1
22	12-42-0100	U.H.M.W. IDLER PULLEY 4" Dia. X 1 1/4" THICK	1
N/I	12-09-0100	BUSHING 3/4" Dia. X Ø 1/2" X 1 5/16" LG	1
23	12-13-1020	UNION FOR CASING AND COVER 3/4" Dia. X 12 1/2" LG	17
24	12-50-2025	IMPELLER	1
25	12-55-0625	COVER "STICKER INCLUDED"	1
26	12-55-0620	CASING "STICKER INCLUDED"	1

B.W.300 +

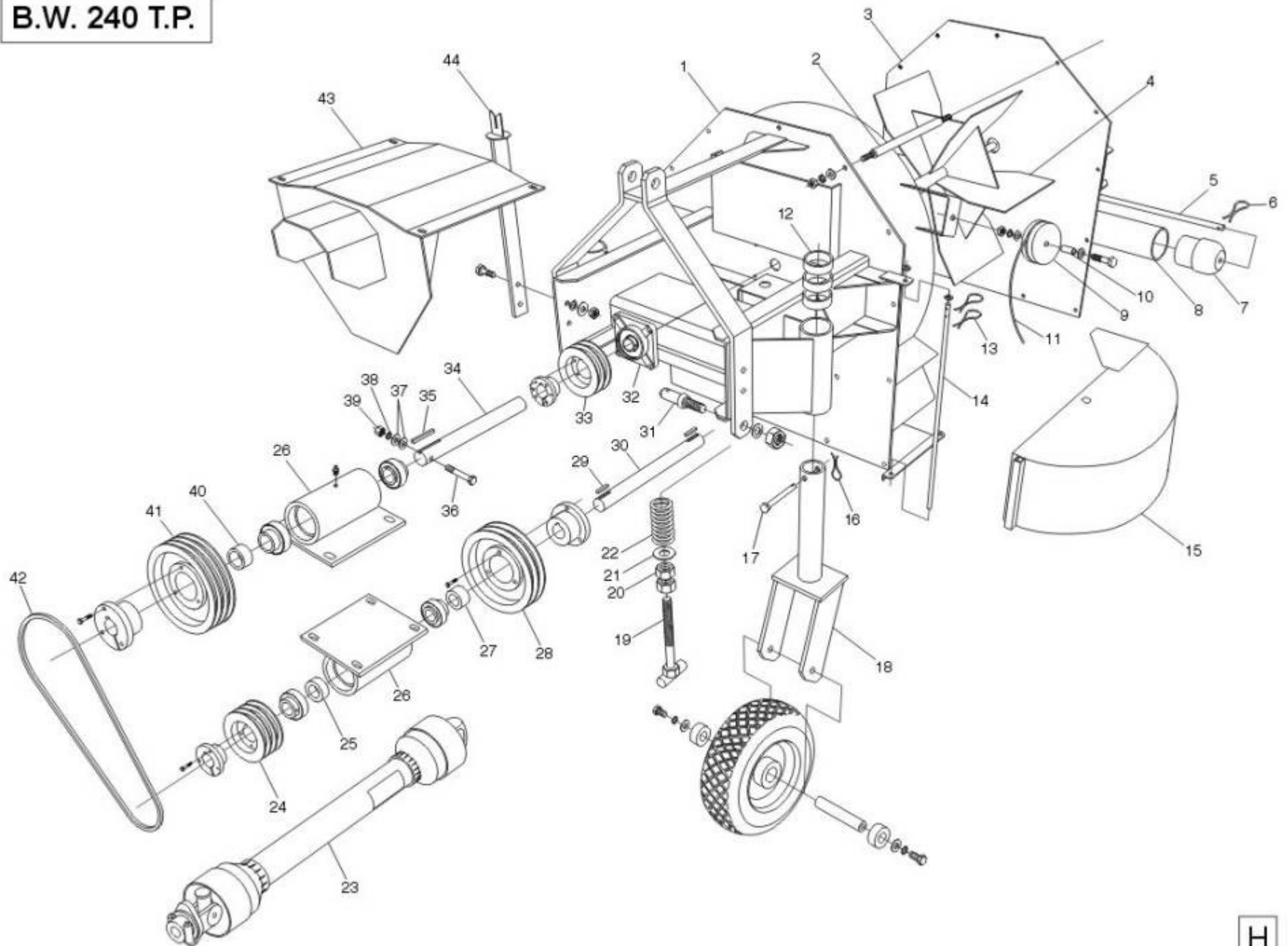
REF.	PART NO.	DESCRIPTION	QTE
27	NC01-69-0463	SPRING PIN 1/4" X 1 3/4" LG	2
28	01-33-0035	FLAT WASHER 1 1/4" Dia. X Ø 3/4" X 10GA	4
29	NC01-63-0026	HITCH PIN CLIPS 5/32" X 3" LG	2
30	12-55-0555	DEFLECTOR LEFT ASSY."STICKER INCLUDED"	1
31	12-13-1050	SLIDE 3/4" Dia. X 20 3/4" LG	2
32	01-41-0910	SQUARE KEY 1/4" X 1/4" X 1 1/2" LG	1
33	01-41-0910	SQUARE KEY 1/4" X 1/4" X 1 1/2" LG	1

N/I	12-51-0015	TURF ROLLER BRACKETS LEFT	1
N/I	12-51-0017	TURF ROLLER BRACKETS RIGTH	1
N/I	12-13-1030	ROLLER SHAFT 3/4" Dia. X 24 1/2" LG	1
N/I	12-55-0515	TURF ROLLER ASSY.	1
N/I	12-11-3515	TURF ROLLER ONLY 4" Dia. X 19 3/8" LG	1
N/I	12-42-0020	NYLON CAP 4" Dia. X 4" LG	2
N/I	NC01-63-0026	HITCH PIN CLIPS 5/32" X 3" LG	1
N/I	12-50-0045	BELT TIGHTENER (8 3/4" LG)	1
N/I	12-55-0600	PTO SHAFT GUARD ASSY."STICKER INCLUDED"	1

STICKER B.W.300 +

REF.	PART NO.	DESCRIPTION	QTE
N/I	12-58-0000	STICKER KIT (BW 360 / BW 300 / BW 300 +)	1
N/I	01-60-0065	STICKER CAUTION. DO NOT STAND IN FRONT OF EXIT DURING OPERATION...	2
N/I	01-60-0070	STICKER WARNING MISSING SHIELD HAZARD...	1
N/I	01-60-0100	STICKER WARNING MOVING PART HAZARD...	2
N/I	01-60-0115	STICKER WARNING ROTATING PART HAZARD...	1
N/I	03-60-0005	STICKER GREASE GUN	9
N/I	06-60-0000	STICKER AGRIMÉTAL INC "MEDIUM"	2
N/I	09-60-0015	STICKER IMPORTANT.(SPRING) 3 3/4" / 95 MM	1
N/I	12-60-0000	STICKER CAUTION. READ OPERATOR,S MANUAL BEFORE USING...	2

B.W. 240 T.P.



B.W.240 T.P.

REF.	PART NO.	DESCRIPTION	QTE
1	12-55-2545	CASING "STICKER INCLUDED"	1
2	12-13-1015	UNION FOR CASING AND COVER 3/4" Dia. X 11" LG	14
3	12-55-2550	COVER "STICKER INCLUDED"	1
4	12-50-1015	IMPELLER	1
N/I	12-51-0015	TURF ROLLER BRACKETS LEFT	1
N/I	12-51-0017	TURF ROLLER BRACKETS RIGTH	1
5	12-13-1035	SHAFT 3/4" Dia. X 20" LG	1
6	NC01-63-0026	HITCH PIN CLIPS 5/32" X 3" LG	1
7	12-55-1050	TURF ROLLER ASSY.	1
N/I	12-42-0020	NYLON CAP 4" Dia. X 4" LG	2
8	12-11-3520	TURF ROLLER ONLY 4" Dia. X 14 7/8" LG	1
9	12-42-0100	U.H.M.W. IDLER PULLEY 4" Dia. X 1 1/4" THICK	1
10	12-09-0100	BUSHING 3/4" Dia. X Ø 1/2" X 1 5/16" LG	1
11	NC17-02-0139	CABLE 57 1/4" LG ASSY.	1
12	12-10-0800	BUSHING 2 3/8" X 2" X 1" LG	3
13	NC01-63-0015	HITCH PIN CLIPS 1/8" X 2 5/8" LG	4
14	12-13-0600	SLIDE FOR CHUTE 1/2" Dia. X 22" LG	2
15	12-55-2530	DEFLECTOR RIGHT "STICKER INCLUDED"	1
16	NC01-63-0015	HITCH PIN CLIPS 1/8" X 2 5/8" LG	2
17	12-30-9950	PIN 1/2" X 6" LG	2
18	12-55-1066	BEFORE -09/01 #22084- SWIVEEL WHEEL CASTER ASSY. (MODEL OLD)	2
N/I	12-55-2555	BEFORE -09/01 #22084- SWIVEL CASTER "STICKER INCLUDED"	1
N/I	NC14-70-0024	BEFORE -09/01 #22084- WHEEL 12 Dia. ASSY.	2
N/I	NC14-70-0047	BEFORE -09/01 #22084- TIRE	1
N/I	NC14-70-0037	BEFORE -09/01 #22084- RIM	1
N/I	NC14-70-0028	BEFORE -09/01 #22084- TUBE	1
N/I	NC14-70-0027	BEFORE -09/01 #22084- ROLLER BEARING	1
N/I	04-13-3400	BEFORE -09/01 #22084- SHOULDER BUSHING 2 3/8" Dia. X Ø 1 1/64" X 1/2" LG	2
N/I	12-13-1405	BEFORE -09/01 #22084- WHEEL AXLE 1" Dia. X 5 5/8" LG	1
N/I	04-42-0135	BEFORE -09/01 #22084- AXLE BUSHING 2" Dia. X 7/8" LG	2
N/I	NC02-22-0012	BEFORE -09/01 #22084- FLAT WASHER ORD. Ø 9/16"	2
N/I	NC02-32-0014	BEFORE -09/01 #22084- LOCK WASHER Ø 1/2"	2
N/I	NC01-17-0247	BEFORE -09/01 #22084- HEX.BOLT 1/2"-13 X 1" LG (GRADE 2)	1
18	12-55-1067	AFTER -09/01 #22084- SWIVEEL WHEEL CASTER ASSY. (MODEL NEW 2001)	2
N/I	12-55-0049	AFTER -09/01 #22084- U.H.M.W. BLACK WHEEL ASSY.	2
N/I	NC14-70-0027	AFTER -09/01 #22084- ROLLER BEARING	2
N/I	12-42-0105	AFTER -09/01 #22084- PLASTIC WHEEL BUSHING (2" DIA. X .420" LG)	2
N/I	12-13-1405	AFTER -09/01 #22084- WHEEL AXLE 1" Dia. X 5 5/8" LG	1
N/I	NC01-17-0247	AFTER -09/01 #22084- HEX.BOLT 1/2"-13 X 1" LG (GRADE 2)	2
N/I	NC02-32-0014	AFTER -09/01 #22084- LOCK WASHER Ø 1/2"	2
N/I	NC02-22-0012	AFTER -09/01 #22084- FLAT WASHER ORD. Ø 9/16"	2
19	12-50-0045	BELT TIGHTENER (8 3/4" LG)	1
20	NC02-07-0024	HEX.NUT 7/8"- 9	2
21	09-04-0050	FLAT WASHER 1 49/64" Dia. X Ø 7/8" X 3/16"	1
22	09-44-0005	SPRING 2" Dia. X 4" LG	1
23	02-34-0045	BEFORE -10/00 #21314- PTO SHAFT (T40) 1 3/8" X 6 SPLINES - Ø 1 1/4" K.W. 5/16" X 35 3/4" LG	1
N/I	12-34-0060	AFTER -10/00 #21314- PTO SHAFT (T40) 1 3/8" X 6 SPLINES - Ø 1 1/4" K.W. 5/16" X 36 5/8" LG	1
24	NC14-62-0097	CAST IRON SHAVE PULLEY 3B4.4	1
N/I	NC14-62-0016	TAPERED QD BUSHING SH Ø 1 1/4" K.W. 1/4"	1
25	12-09-1020	BUSHING 2" X 1 1/4" X 1" LG "PULLEY 3B4.4 & 3B8.0"	1
26	12-55-0510	CASING & BEARING ASSY.	2
N/I	12-50-2030	CASING ONLY	1
N/I	NC14-75-0062	BALL BEARING UC207-20 X Ø 1 1/4"	2
27	12-09-1015	BUSHING 2" X 1 1/4" X 3/4" LG "PULLEY 2B8.0"	1
28	NC14-62-0091	CAST IRON SHAVE PULLEY 2B80 SK	1
N/I	NC14-62-0019	TAPERED QD BUSHING SK Ø 1 1/4" K.W. 1/4" (PTO)	1

B.W.240 T.P.

REF.	PART NO.	DESCRIPTION	QTE
29	01-41-0910	SQUARE KEY 1/4" X 1/4" X 1 1/2" LG	2
30	12-13-1610	JACK SHAFT 1 1/4" Dia. X 12 3/4" LG	1
31	NC01-78-0002	HITCH PIN	2
32	12-38-0001	FLANGE BEARING 4 Ø UCF 207-20 X Ø 1 1/4" (GREASE FITTING 1/4"-28)	2
33	NC14-62-0086	CAST IRON SHAVE PULLEY 2B4.4	1
N/I	NC14-62-0016	TAPERED QD BUSHING SH Ø 1 1/4" K.W. 1/4"	1
34	12-13-1605	INPUT SHAFT 1 1/4" Dia. X 13 1/4" LG	1
35	01-41-0910	SQUARE KEY 1/4" X 1/4" X 1 1/2" LG	1
N/I	12-41-0905	SQUARE KEY 5/16" X 5/16" X 2 1/4" LONG	1
36	NC01-17-0122	HEX.BOLT 3/8"-16 X 3" LONG (GRADE 2)	1
37	01-01-2485	FLAT WASHER 13/16" Dia. X Ø 25/64" X 14GA	2
38	NC02-32-0012	LOCK WASHER Ø 3/8"	1
39	NC02-07-0018	HEX.NUT 3/8"-16	1
40	12-09-1020	BUSHING 2" X 1 1/4" X 1" LG "PULLEY 3B4.4 & 3B8.0"	1
41	NC14-62-0102	CAST IRON SHAVE PULLEY 3B8.0	1
N/I	NC14-62-0019	TAPERED QD BUSHING SK Ø 1 1/4" K.W. 1/4" (PTO)	1
42	NC14-25-0901	V-BELT 6940 (5/8" X 40")	5
43	12-55-2515	BELT GUARD "STICKER INCLUDED"	1
44	12-50-5030	CABLE SQUEEZER SUPPORT	1

STICKER B.W.240 T.P.

REF.	PART NO.	DESCRIPTION	QTE
N/I	12-58-2500	STICKER KIT (BW 240 3 POINTS)	1
N/I	01-60-0040	STICKER MAXIMUM 540 RPM	1
N/I	01-60-0065	STICKER CAUTION. DO NOT STAND IN FRONT OF EXIT DURING OPERATION...	2
N/I	01-60-0070	STICKER WARNING MISSING SHIELD HAZARD...	1
N/I	01-60-0100	STICKER WARNING MOVING PART HAZARD...	2
N/I	01-60-0115	STICKER WARNING ROTATING PART HAZARD...	1
N/I	01-60-0125	STICKER WARNING KEEP ALL GUARDS AND SHIELDS IN PLACE...	1
N/I	03-60-0005	STICKER GREASE GUN	10
N/I	06-60-0000	STICKER AGRIMÉTAL INC "MEDIUM"	2
N/I	09-60-0015	STICKER IMPORTANT.(SPRING) 3 3/4" / 95 MM	1
N/I	12-60-0000	STICKER CAUTION. READ OPERATOR,S MANUAL BEFORE USING...	2