

E

B.W.S.P. 180

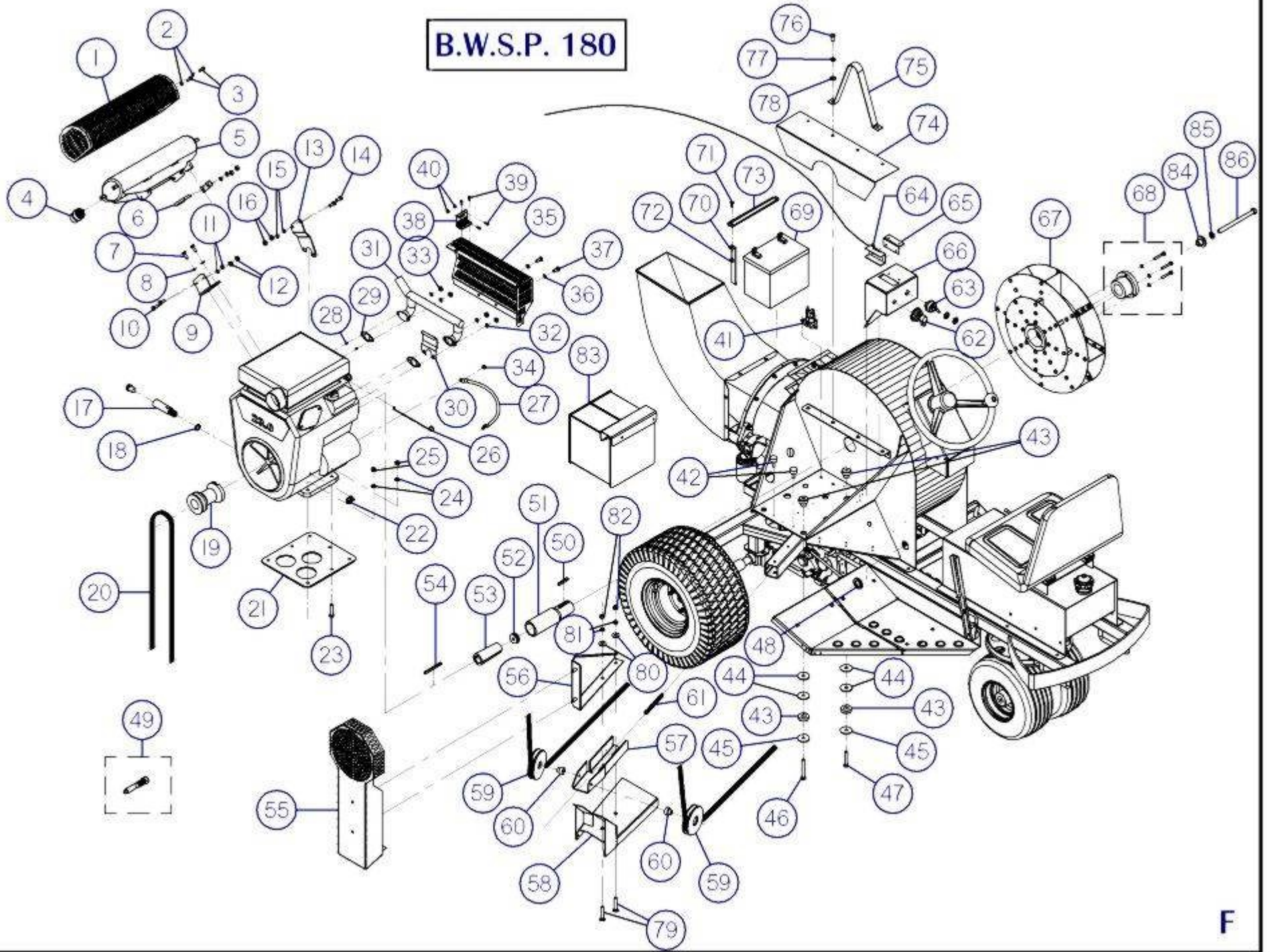
PULL - TYPE LEAF BLOWER BWSP 180

REF.	PART NO.	DESCRIPTION	QTE
1	NC13-80-0200	SEAT	1
2	NC13-80-0201	SEAT TRACK KIT	1
3	26-42-0155	SEAT TRACK STOPPER	1
4	NC13-37-0568	GAS CAP	1
5	26-57-7070	GAS TANK "STICKER INCLUDED"	1
6	NC13-65-0047	90° BRASS EXTRUDED STREET ELBOW 1/4 FEM. NPT X 1/4 MÂLE NPT	1
7	NC01-80-0006	HOSE BARB TO MALE PIPE CONNECTOR	1
8	NC01-65-0201	SPRING-GRIP HOSE CLAMPS 1/2" O.D.	2
9	26-46-0526	GAS HOSE 1/2" DIA.X 1/4" D.I. X 43" LG	1
10	26-57-7000	FRAME ASSY. "STICKER INCLUDED"	1
11	NC14-75-0023	FLANGE BEARING Ø 1" UCF 205-16	2
12	26-50-7035	STEERING SPINDLE	1
13	26-42-0130	DIRECTION PULLEY	2
14	26-21-0070	DIRECTION PULLEY BUSHING	2
15	NC14-70-0276	WHEEL 13 Dia. ASSY.	2
N/I	NC14-70-0278	TIRE 13" Dia. X 5.00-6 4PR	2
N/I	NC14-70-0277	RIM 6" X 4.5"	2
N/I	NC14-70-0282	BEARING 6205 RS C3 X Ø 1"	4
N/I	NC14-70-0283	TUBE TR87	2
16	26-50-7010	BRAKE LEVER	1
17	NC13-15-0009	RUBBER HANDLE	1
18	26-42-0150	BREAKE LEVER SPEACER	1
19	26-50-7055	BREAKE LEVER ROD	1
20	26-50-7030	LEFT TAIL-BOARD	1
21	26-42-0130	DIRECTION PULLEY	2
22	26-21-0075	LEFT DIRECTION PULLEY BUSHING	1
23	26-21-0080	RIGTH DIRECTION PULLEY BUSHING	1
24	26-57-7076	RIGHT TAIL-BOARD ASSY. "STICKER INCLUDED"	1
25	26-01-1135	TAIL-BOARD SUPPORT	1
26	26-01-7745	BEFORE TAIL-BOARD SUPPORT	1
27	26-50-7060	TRANSMISSION CLUTCH	1
28	26-01-1090	TRANSMISSION SUPPORT	1
29	NC01-37-0004	HEX.BOLT 1/4"-28 X 3/4" LG (GRADE 8)	2
30	NC01-97-0004	NYLON INSERT LOCKNUTS 1/4"-28	2
31	26-34-0066	HYDROSTATIC SUPPORT	1
32	26-55-7035	SHIFTING ROD ASSY.	1
N/I	26-13-0305	SHIFTING ROD ONLY	1
N/I	NC02-10-0017	HEX.NUT 5/16"-24	2
N/I	NC01-67-0103	TIE ROD END 5/16"-24	2
33	NC14-75-0037	PILLOW BEARING Ø 1" UCPA 205-16	2
34	26-20-0085	LEFT AXLE EXTENSION	1
35	26-01-2650	NEUTRAL LEVER SUPPORT	1
36	26-01-2655	NEUTRAL LEVER	1
37	26-55-7000	HYDROSTATIC ASSY.	1
38	NC14-70-0299	WHEEL 18" Dia. X 9.50-8 FAST TREKKER TITAN ASSY. (BWSP 180)	2
N/I	NC14-70-0301	WHEEL 18 Dia. X 9.50-8 FAST TREKKER TITAN ONLY. (BWSP 180)	2
N/I	NC14-70-0281	RIM 8" X 7 4/4/2.5	2
N/I	NC14-70-0003	VALVE TBL TR-13	2
38	NC14-70-0279	WHEEL 18" Dia. X 9.50-8 CARLISLE MULTITRAC ASSY. (GOLF GREEN)	2
N/I	NC14-70-0280	TIRE 18" Dia. X 9.50-8 CARLISLE MULTITRAC ONLY (GOLF GREEN)	2
N/I	NC14-70-0281	RIM 8" X 7 4/4/2.5	2
N/I	NC14-70-0003	VALVE TBL TR-13	2
39	NC13-80-0205	AXLE CAP	2
40	NC14-45-0031	WHEEL HEX.NUT 7/16"-14	8
41	NC01-07-0069	CARR.BOLT 5/16"-18 X 3" LONG (GRADE 5)	4
42	NC02-22-0008	FLAT WASHER Ø 5/16"	4

PULL - TYPE LEAF BLOWER BWSP 180

REF.	PART NO.	DESCRIPTION	QTE
43	NC02-32-0011	LOCK WASHER Ø 5/16"	4
44	NC02-07-0017	HEX.NUT 5/16"-18	4
45	NC01-45-0218	METRIC BOLT 10MM X 20MM (GRADE 8.8)	4
46	NC02-32-0012	LOCK WASHER Ø 3/8"	4
47	26-55-7005	DIRECTION SPRING ROD ASSY.	1
48	19-55-0073	STEERING KNOB ASSY.	1
49	26-42-0005	STEERING	1
50	NC01-69-0465	SPRING PIN 1/4" X 2" LG	1
51	NC01-78-0301	STEEL RIVET 3/16" X 7/16" LG	6
52	26-42-0120	STEERING BEARING (TOP)	1
53	26-20-0255	STEERING SHAFT	1
54	26-42-0125	STEERING BEARING (UNDER)	1
55	26-01-3300	STEERING CAP	1
56	NC02-42-0084	METAL SCREWS (PAN HEAD) # 12 X 1/2" L	2
57	26-42-0130	DIRECTION PULLEY	2
58	26-21-0065	DIRECTION PULLEY BUSHING (STEERING)	2
59	26-57-7066	BLOWER CASING " STICKER INCLUDED"	1
60	26-55-2165	ELECTRIC MOTOR 12 VOLTS ASSY.	1
61	NC01-96-0011	NYLON INSERT LOCKNUTS 3/8"-16	2
62	01-01-2485	FLAT WASHER 13/16" Dia. X Ø 25/64" X 14GA	2
63	26-21-0200	ELECTRIC MOTOR SUPPORT	1
64	NC02-51-0580	HEX-SOCKET CAP SCREW 1/4"-28 X 3/4" LG (STAINLESS)	3
65	26-55-3060	COLECTOR SPROCKET	1
66	26-42-0115	DUCT COLECTOR GUIDE	1
67	26-01-3165	12 VOLTS MOTOR GUARD	1
68	NC01-04-0113	CARRIAGE BOLT 3/8"-16 X 2" LG (GRADE 2)	2
69	26-42-0110	DUCT COLECTOR GUIDE	5
70	NC01-05-0005	CARR.BOLT 1/4"-20 X 1" LG (GRADE 5)	10
71	NC01-96-0009	NYLON INSERT LOCKNUTS 1/4"-20	10
72	26-55-3040	COMPLETE DUCT COLECTOR "STICKER INCLUDED"	1
73	NC01-04-0055	CARRAGE BOLT 5/16"-18 X 5/8" LG (GRADE 2)	8
74	NC01-96-0009	NYLON INSERT LOCKNUTS 1/4"-20	8
75	26-50-7065	TIGHTENING HANDLE	2
76	26-21-0095	DEFLECTOR SUPPORT	1
77	NC02-51-0082	HEX-SOCKET CAP SCREW 1/4"-28 X 1" LG	2
78	26-22-2205	ELBOW DEFLECTOR (60°)	1
79	21-01-0950	FLAT WASHER 1.005" Dia. X Ø 25/64"	4
80	NC01-97-0004	NYLON INSERT LOCKNUTS 1/4"-28	2
81	26-22-2200	ALUMINUM AIR INTAKE	1
82	NC01-96-0006	NYLON INSERT LOCKNUTS 10-24	9
83	NC02-40-0079	MACHINE SCREWS SQUARE SOCKET #10-24 X 3/8" LG	9
84	26-55-3000	AIR INTAKE SCREEN	1
85	01-01-2485	FLAT WASHER 13/16" Dia. X Ø 25/64" X 14GA	9
86	NC02-32-0012	LOCK WASHER Ø 3/8"	9
87	NC01-17-0112	HEX.BOLT 3/8"-16 X 3/4" LG (GRADE 2)	9
88	26-57-7140	DUCT ASSY.(60°) "STICKER INCLUDED"	1
89	26-20-0090	RIGHT AXLE EXTENSION	1
90	NC17-02-0294	DRIVE CABLE 126" LG	1

B.W.S.P. 180



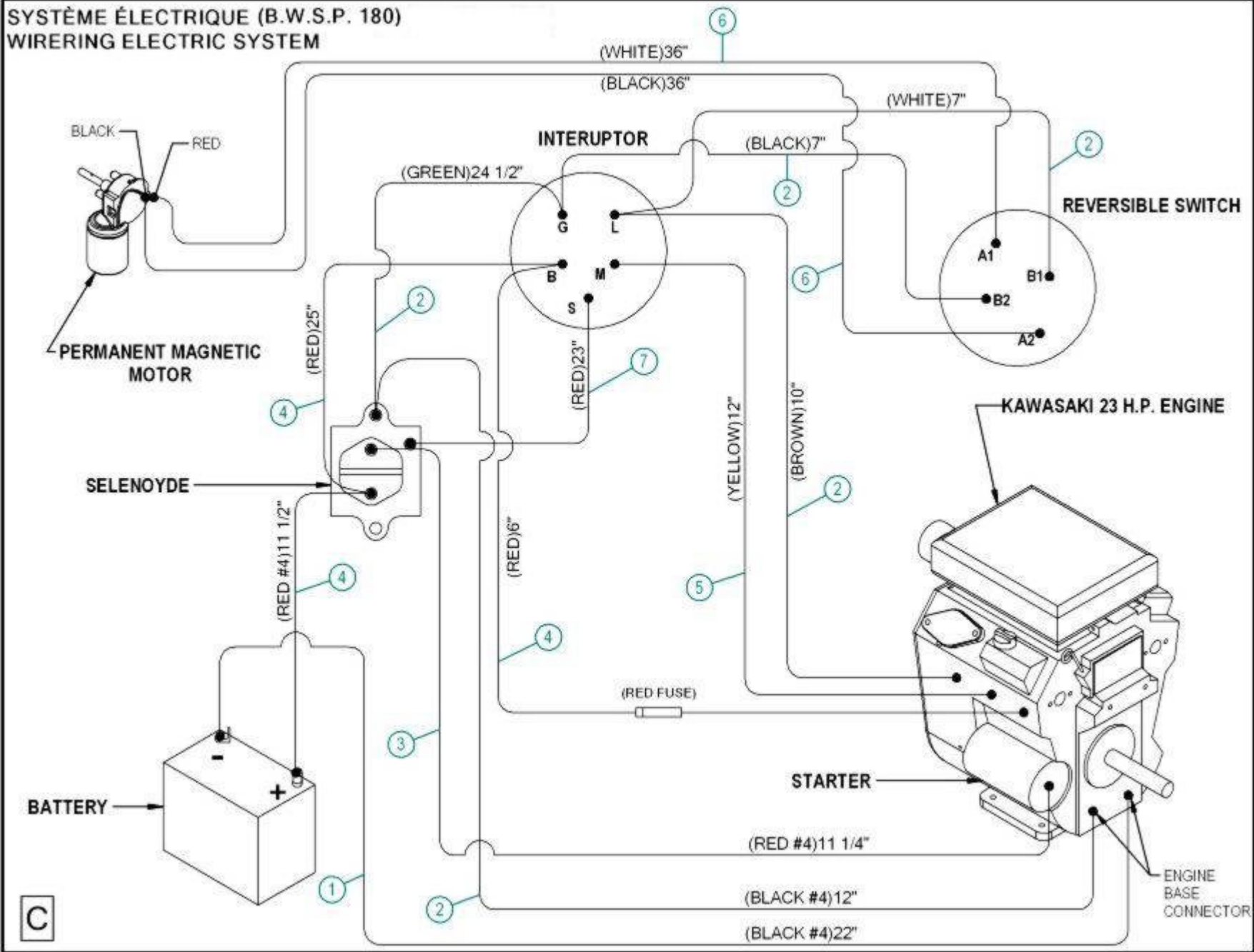
PULL - TYPE LEAF BLOWER BWSP 180

REF.	PART NO.	DESCRIPTION	QTE
1	22-50-1000	MUFFLER GUARD	1
2	NC02-32-0010	LOCK WASHER Ø 1/4"	4
3	NC01-37-0004	HEX.BOLT 1/4"-28 X 3/4" LG (GRADE 8)	4
4	NC13-37-0510	SPARK ARRESTOR FOR 23 HP KAWASAKI	1
5	22-50-1005	MUFFLER	1
7	NC01-45-0186	METRIC BOLT 8MM X 25MM (GRADE 5)	2
8	NC02-32-0011	LOCK WASHER Ø 5/16"	2
9	22-01-0097	MUFFLER BRACKET	1
10	NC01-17-0058	HEX.BOLT 5/16"-18 X 3/4" LG (GR2)	2
11	NC02-32-0011	LOCK WASHER Ø 5/16"	2
12	NC02-07-0017	HEX.NUT 5/16"-18	2
13	22-01-1545	MUFFLER SUPPORT (LEFT)	1
14	NC01-17-0058	HEX.BOLT 5/16"-18 X 3/4" LG (GR2)	2
15	NC02-32-0011	LOCK WASHER Ø 5/16"	2
16	NC02-07-0017	HEX.NUT 5/16"-18	2
17	26-21-0035	OIL DRAIN EXTENSION	1
18	NC13-15-0060	O-RING 13/16" Dia. X Ø 5/8" X 3/32 "	1
19	26-21-0045	MOTOR PULLEY	1
20	NC14-25-1558	V BELT AX-90 (1/2" X 92")	1
21	26-04-0010	ENGINE BASE	1
22	NC13-25-0110	GAS HOSE PROTECTOR CLAMPS	1
23	NC01-17-0117	HEX.BOLT 3/8"-16 X 1 3/4" LG (GRADE 2)	5
24	NC02-32-0012	LOCK WASHER Ø 3/8"	5
25	NC02-07-0018	HEX.NUT 3/8"-16	5
26	NC17-60-0019	CHOKE ROD	1
27	26-55-3105	POSITIVE CABLE ASSY.	1
28	22-13-0110	MANIFOLD STUD SPEACER	2
29	NC13-37-0478	EXHAUST MANIFOLD GASKET	2
30	26-03-3000	CABLE SHIELD	1
31	NC13-37-0481	EXHAUST MANIFOLD	1
32	NC13-37-0492	SPECIAL LOCK WASHER	4
33	NC13-37-0491	METRIC NUT 8 mm	4
34	NC01-96-0009	NYLON INSERT LOCKNUTS 1/4"-20	1
35	26-55-2210	MANIFOLD GUARD ASSY.	1
36	NC02-32-0011	LOCK WASHER Ø 5/16"	2
37	NC01-45-0184	METRIC BOLT 8MM X 20MM (GRADE 8.8)	2
38	26-01-3120	MANIFOLD GUARD BRACKET	1
39	NC02-40-0080	MACHINE SCREWS SQUARE SOCKET #10-24 X 1/2" LG	4
40	NC01-96-0006	NYLON INSERT LOCKNUTS 10-24	4
41	NC13-37-0495	SELENOID	1
42	26-46-4000	RUBBER BASE MOUNT	2
43	NC13-15-0068	RUBBER MOUNT RB1-120	5
44	26-03-4800	FLAT WASHER 1 1/2" DIA. X Ø 25/32"	10
45	01-33-0010	FLAT WASHER 1 1/2" Dia. X Ø 25/64" X 11GA	5
46	NC01-17-0122	HEX.BOLT 3/8"-16 X 3" LONG (GRADE 2)	2
47	NC01-17-0119	HEX.BOLT 3/8"-16 X 2 1/4" LG (GRADE 2)	3
48	NC13-15-0014	RUBBER GROMMETS	2
49	26-20-0065	EXTRACTOR BOLT	1
50	12-41-0915	SQUARE KEY 3/8" X 3/8" X 1 3/4" LG	1
51	26-20-0050	IMPELLER SHAFT	1
52	26-55-3075	EXTRACTOR BOLT BUSHING COMPL.	1
53	26-09-0505	IMPELLER SHAFT CONE	1
54	NC01-65-0093	SQUARE KEY 1/4" X 1/4" X 3 1/4" LG	1
55	26-57-7146	VERTICAL BELT GUARD COMPL. "STICKER INCLUDED"	1
56	26-57-7136	BELT GUARD SUPPORT ASSY. "STICKER INCLUDED"	1
57	26-50-7090	TIGHTENING PULLEY SUPPORT	1

PULL - TYPE LEAF BLOWER BWSP 180

REF.	PART NO.	DESCRIPTION	QTE
58	26-50-7075	HORIZONTAL BELT GUARD	1
59	26-55-7040	IDLER PULLEY ASSY.	2
N/I	26-21-0055	TIGHTENING PULLEY	2
N/I	NC14-75-0068	BEARING #99502H	2
N/I	NC01-64-0142	RETAINING RINGS INTERNAL FOR Ø 1 3/8"	2
60	26-21-0060	IDLER PULLEY BUSHING	2
61	26-31-0100	BELT-TIGHTENER	1
62	NC14-35-0231	REVERSIBLE SWITCH	1
63	NC13-37-0494	ELECTRICAL SWITCH 23 H.P.	1
64	NC13-37-0581	GAS CÂBLE AND CONTROL LEVER (41" LG)	1
65	26-01-3305	THROTTLE-LEVER SUPPORT	1
66	26-57-7116	STARTER CONTROL BOX ASSY. "STICKER INCLUDED"	1
67	26-55-3010	IMPELLER (MOD: B.W.T. 180)	1
68	26-39-0360	TAPERED QD BUSHING SK Ø 1 3/4"	1
69	NC13-12-0001	BATTERY (12 VOLTS)	1
70	26-01-3235	BATTERY RETAINER	1
71	NC01-04-0002	CARR.BOLT 1/4"-20 X 5/8" LG (GRADE 2)	1
72	NC01-96-0009	NYLON INSERT LOCKNUTS 1/4"-20	1
73	26-01-3230	BATTERY HOLDER	1
74	26-01-3225	IMPELLER SHAFT GUARD	1
75	26-01-7695	LIFTING ANCHORAGE	1
76	NC01-17-0112	HEX.BOLT 3/8"-16 X 3/4" LG (GRADE 2)	4
77	NC02-32-0012	LOCK WASHER Ø 3/8"	4
78	01-01-2485	FLAT WASHER 13/16" Dia. X Ø 25/64" X 14GA	4
79	NC01-05-0117	CARR.BOLT 3/8"-16 X 3" LG (GRADE 5)	2
80	21-01-0950	FLAT WASHER 1.005" Dia. X Ø 25/64"	2
81	NC02-32-0012	LOCK WASHER Ø 3/8"	2
82	NC02-07-0018	HEX.NUT 3/8"-16	2
83	26-50-7050	COUNTERWEIGHT	1
84	26-20-0055	IMPELLER SHAFT CAP	1
85	NC02-32-2013	LOCK WASHER Ø 7/16"	1
86	NC01-37-0151	BOLT HEX.7/16"-20 X 5" LONG (GRADE8)	1

SYSTÈME ÉLECTRIQUE (B.W.S.P. 180)
 WIRING ELECTRIC SYSTEM



C

PULL - TYPE LEAF BLOWER BWSP 180

REF.	PART NO.	DESCRIPTION	QTE
1	26-55-3100	ELECTRIC SUPPLY WIRE FROM BATTERY ASSY	1
2	26-55-7115	SUPPLY CABLE FROM CONTACT TO SWITCH ASSY.	1
3	26-55-3105	POSITIVE CABLE ASSY.	1
4	26-55-7120	ELECTRIC SUPPLY WIRE FROM SELENOIL TO ENGINE ASSY.	1
5	26-55-7100	YELLOW WIRE FROM ENGINE TO SELENOIL ASSY.	1
6	26-55-7110	ELECTRIC SUPPLY WIRE FROM SWITCH TO MOTOR ASSY.	1
7	26-55-7105	RED WIRE FROM SWITCH TO SELENOIL ASSY.	1
N/I	NC13-37-0508	20 FUSE CASE AMPS ASSY.	1
N/I	NC13-37-0570	20 AMPS FUSE	1

STICKER BWSP 180

REF.	PART NO.	DESCRIPTION	QTE
N/I	26-58-7000	STICKER KIT (BWP 180 & BWSP 180)	1
N/I	01-60-0060	STICKER DANGER FIRE HAZARD .STOP ENGINE FIVE MINUTES BEFORE...	1
N/I	01-60-0070	STICKER WARNING MISSING SHIELD HAZARD...	1
N/I	01-60-0110	STICKER WARNING ROTATING PART HAZARD...	1
N/I	03-60-0005	STICKER GREASE GUN	2
N/I	06-60-0000	STICKER AGRIMÉTAL INC "MEDIUM"	1
N/I	NC13-33-0143	STOPPING STICKER	1
N/I	NC13-33-0148	STICKER CAUTION 1. READ OPERATOR'S MANUAL BEFORE STARTING...	1
N/I	NC13-33-0110	STICKER DANGER THROWN OBJECT HAZARD...	2
N/I	NC13-33-0144	STICKER FORWARD / BACKWARD)	2
N/I	NC13-33-0111	STICKER LEFT RIGHT	1
N/I	NC13-33-0095	STICKER OFF ON START (2 3/4" X 1 3/8")	1
N/I	NC13-33-0124	STICKER DIRECTION (ARROW)	2