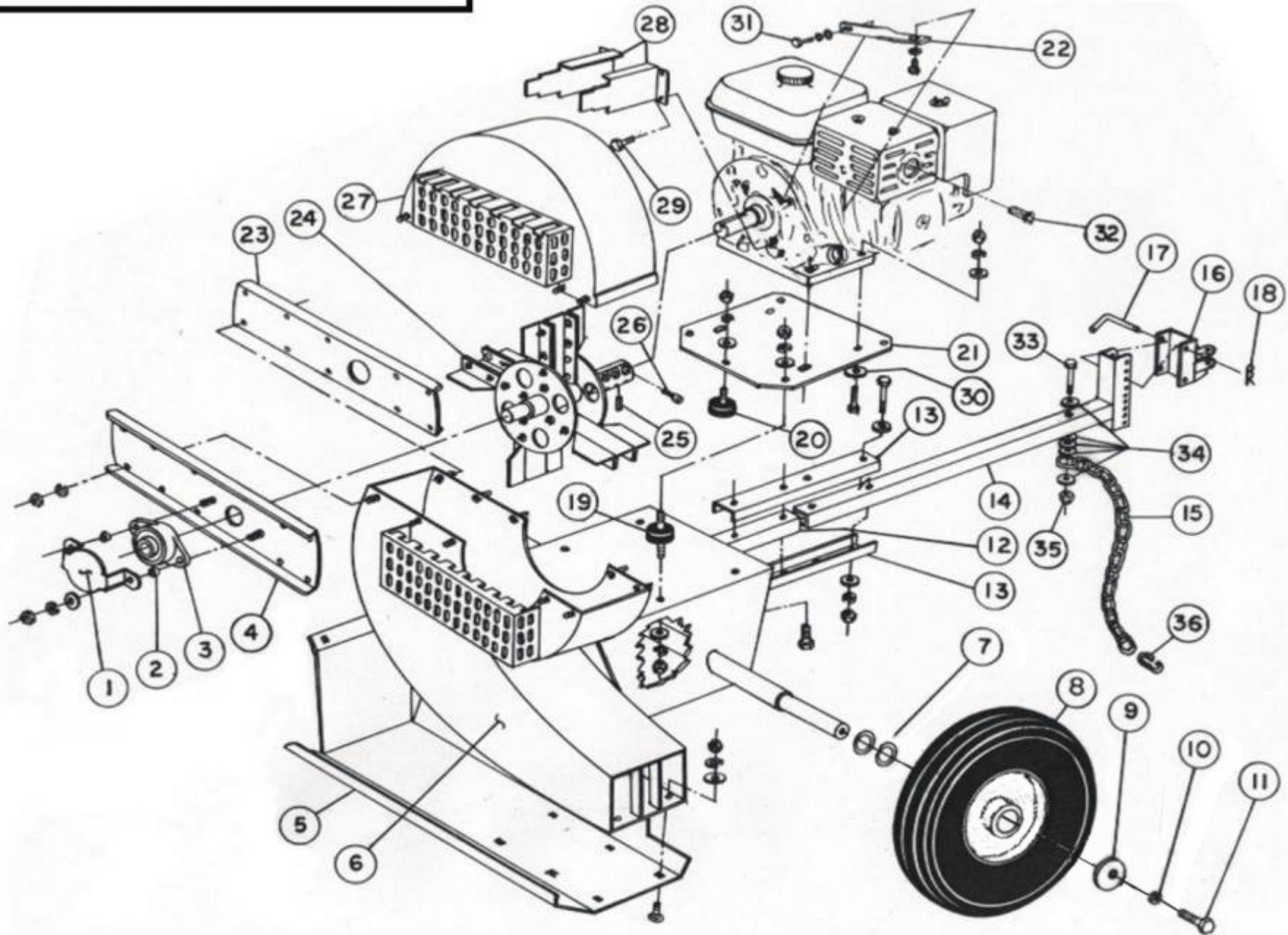


# 26 BWT 140



## PULL - TYPE LEAF BLOWER BWT 140

REF.	PART NO.	DESCRIPTION	QTE
1	26-01-3050	BALL BEARING GUARD	1
2	01-09-0000	ROLLER BEARING BUSHING	2
3	01-38-0000	FLANGE BEARING UCFL 205-16 X Ø 1"	1
4	26-50-0005	BACK UNION CASING	1
5	26-01-7625	PROTECTION SKATE	1
6	26-50-0000	BLOWER CASING "STICKER INCLUDED"	1
7	04-33-0220	FLAT WASHER 1 1/2" Dia. X Ø 1" X 5/64"	4
8	NC14-70-0118	PNEUMATIC WHEEL	2
N/I	NC14-70-0121	TIRE 4.80 / 4.00-8	2
N/I	NC14-70-0120	RIM 8" Dia.	2
N/I	NC14-70-0123	TUBE 400-8	2
N/I	NC14-70-0119	SHOULDER BEARING Ø1"	4
N/I	NC14-70-0122	ROLLER BEARING Ø1"	2
9	01-33-0010	FLAT WASHER 1 1/2" Dia. X Ø 25/64" X 11GA	2
10	NC02-32-0012	LOCK WASHER Ø 3/8"	2
11	NC01-17-0114	HEX.BOLT 3/8"-16 X 1" LG (GRADE2)	2
12	26-07-0800	DRAW BAR	1
13	26-01-0920	DRAW BAR UNION	2
14	26-50-0010	ADJUSTABLE DRAW BAR	1
15	26-41-0000	SAFETY CHAIN "66 LINKS"	1
16	26-50-0015	HITCH	1
17	NC01-25-0126	HEX. BOLT GR5 NC ZINC 3/8-16 X 4	2
N/I	01-01-2485	FLAT WASHER 13/16" Dia. X Ø 25/64" X 14GA	4
N/I	NC02-32-0012	LOCK WASHER Ø 3/8"	2
N/I	NC02-07-0018	HEX.NUT 3/8"-16	2
19	NC13-15-0010	RUBBER BASE MOUNT	4
20	NC13-15-0034	RUBBER ABSORBER	1
21	26-01-0935	ENGINE BASE	1
22	01-03-5405	MUFFLER BRACKET " 9 H.P. MANUAL START"	1
23	26-01-7525	FRONT UNION CASING	1
24	26-57-0016	IMPELLER KIT (MOD: BW 140)	1
27	26-50-0020	BLOWER COVER "STICKER INCLUDED"	1
28	26-01-3000	IMPELLER COUPLER GUARD "STICKER INCLUDED"	2
29	NC01-21-0058	HEX. BOLT 5/16"-24 X 3/4" LG (GRADE 2)	4
30	21-01-0950	FLAT WASHER 1.005" Dia. X Ø 25/64"	4
31	NC01-45-0188	METRIC BOLT 8MM X 35MM (GRADE 5)	1
32	NC13-37-0519	18355-ZE2-010 SPARK ARRESTER	1
33	NC01-29-0121	HEX.BOLTS (GRADE 5) 3/8"-24 X 2 3/4" LG	1
34	01-01-2485	FLAT WASHER 13/16" Dia. X Ø 25/64" X 14GA	6
35	NC01-97-0006	NYLON INSERT LOCKNUTS 3/8"-24	1
36	NC01-75-0014	RAPID LINK 1/4"	1

## STICKER BWT 140

REF.	PART NO.	DESCRIPTION	QTE
N/I	26-58-0000	STICKER "KIT" (BWT 140 & BWT 150)	1
N/I	NC13-33-0110	STICKER DANGER THROWN OBJECT HAZARD...	1
N/I	NC13-33-0112	STICKER DANGER BLOWER BLADE HAZARD...	1
N/I	01-60-0005	STICKER AGRIMÉTAL INC "SMALL"	1
N/I	NC13-33-0108	STICKER CAUTION / READ OPERATOR'S MANUAL BEFORE STARTING...	1
N/I	01-60-0110	STICKER WARNING ROTATING PART HAZARD...	2
N/I	NC13-33-0109	STICKER DANGER FIRE HAZARD NO SMOKING	1