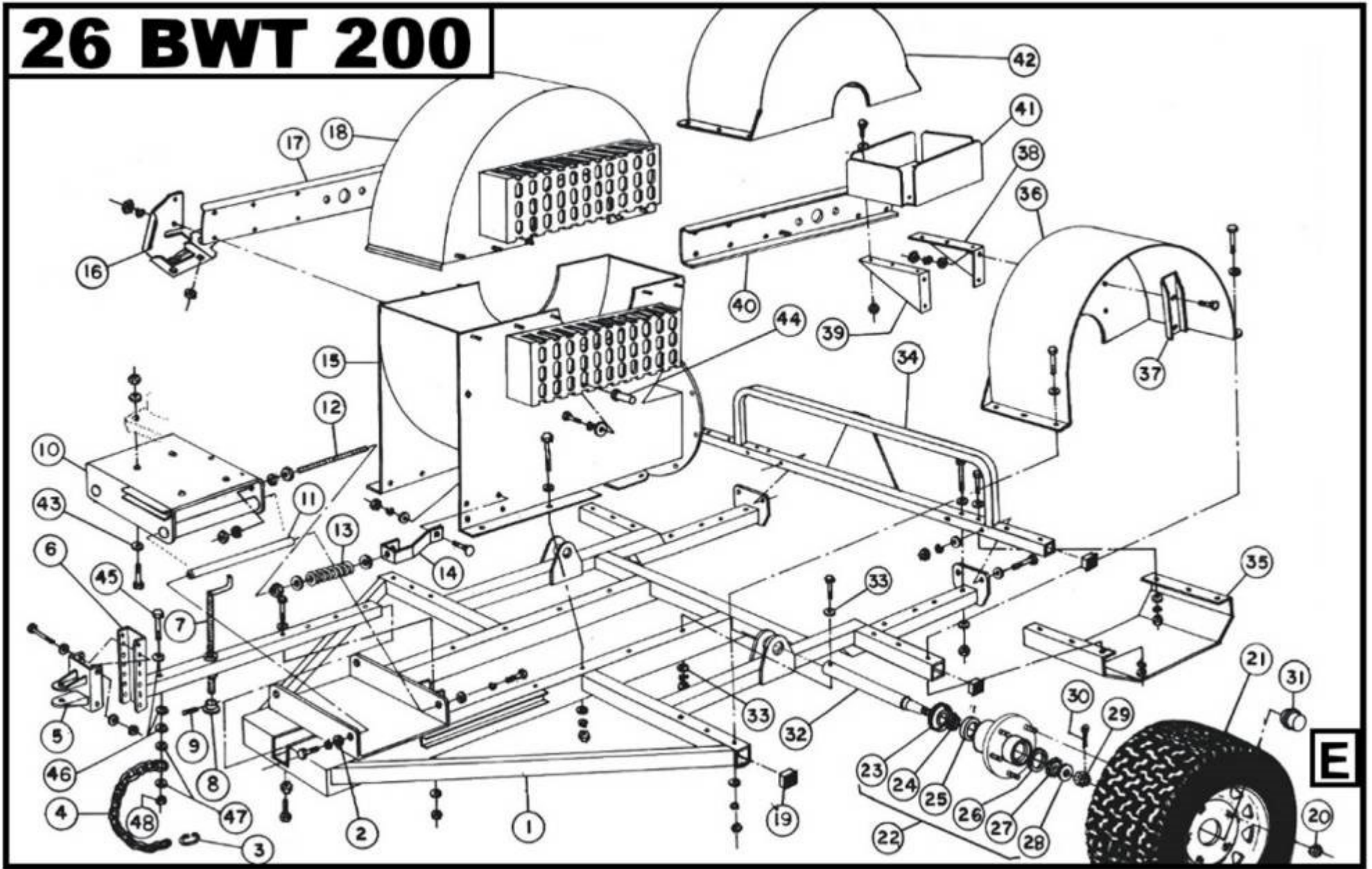


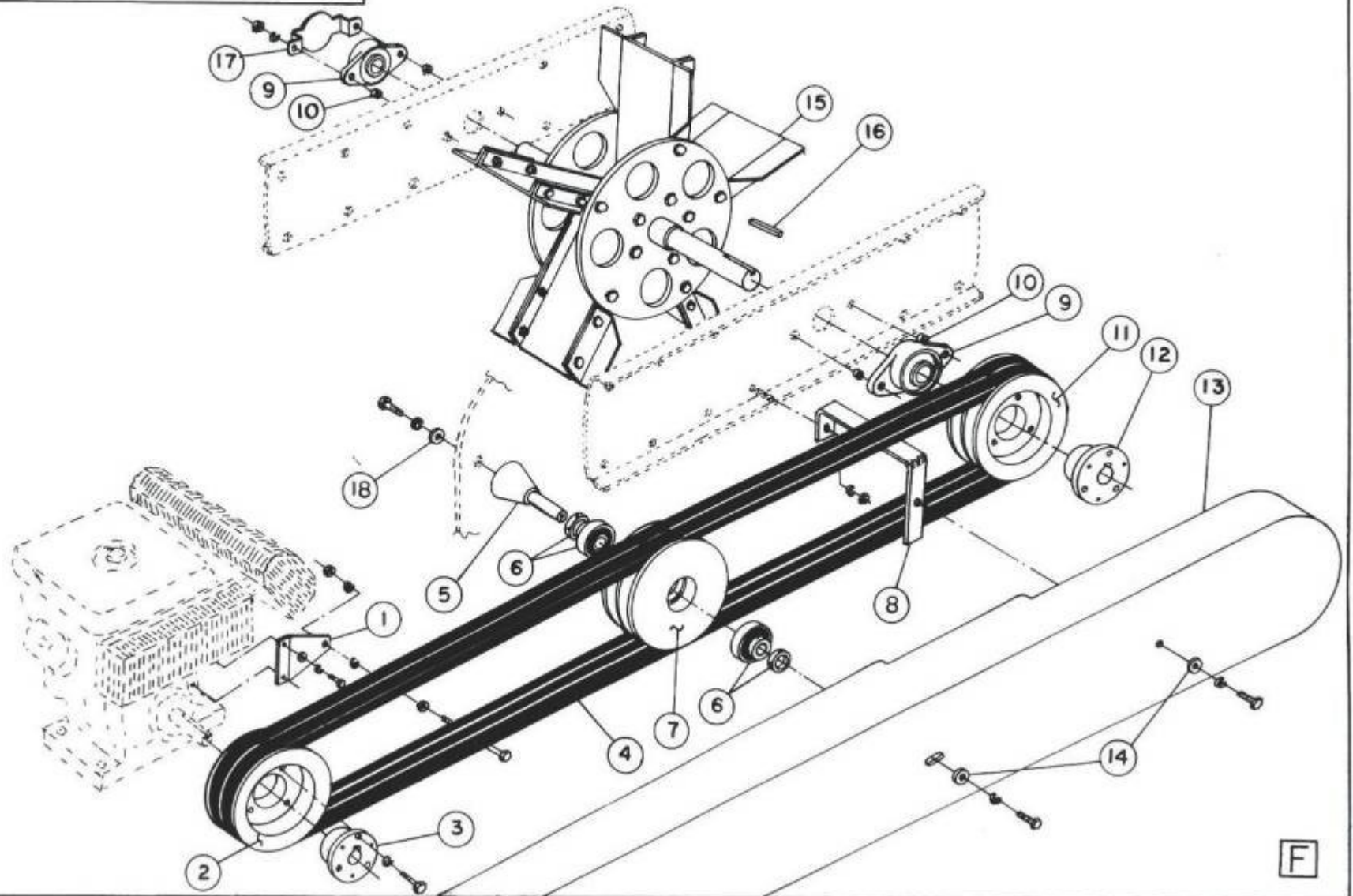
# 26 BWT 200



## PULL - TYPE LEAF BLOWER BWT 200

REF.	PART NO.	DESCRIPTION	QTE
1	26-55-2215	"STICKER INCLUDED" FRAME	1
2	01-01-0925	FLAT WASHER 1 1/64" Dia. X Ø 33/64" X 10GA	4
3	NC01-75-0015	RAPID LINK 5/16"	1
4	21-41-0000	SAFETY CHAIN	1
5	26-50-2035	HITCH	1
6	26-50-2040	TELESCOPING HITCH	1
7	26-50-2135	HITCH JACK	1
8	26-21-0015	JACK'S SHOES	1
9	NC01-69-0423	SPRING PIN 3/16" X 1 1/4" LG	1
10	26-50-2120	ENGINE BASE	1
11	26-20-0250	ENGINE BASE AXLE	2
12	26-31-0250	BELT TIGHTENER	1
13	NC13-86-0068	BLUE SPRING 1 1/4" Dia. X Ø 5/8" X 6" LG	1
14	26-01-0965	SPRING BRACKET	1
15	26-55-2095	BLOWER CASING " STICKER INCLUDED"	1
16	26-55-2200	EXAUXT GAZ DEFLECTOR ASSY.	1
N/I	NC13-15-0055	RUBBER GROMMETS	4
17	26-50-2110	RIGHT SIDE UNION CASING	1
18	26-50-2065	BLOWER COVER	1
19	NC13-80-0189	SQUARE PLASTIC CAP	6
20	NC02-12-0005	WHEEL HEX.NUT 1/2"-20	10
21	NC14-70-0077	23" Dia. WHEEL ASSY.	2
N/I	NC14-70-0071	TIRE ONLY 23 X 10.50-12	2
N/I	NC14-70-0073	RIM 12" Dia.	2
N/I	NC14-70-0003	VALVE TBL TR-13	2
22	26-46-0600	WHEEL HUB ASSY.	2
N/I	26-46-0605	HUB ONLY	2
23	NC14-70-0089	GREASE SEALS	2
24	NC14-70-0094	INNER BEARING CONE L 68149	2
25	NC14-70-0091	INNER BEARING CUP	2
26	NC14-70-0090	OUTER BEARING CUP	2
27	NC14-70-0093	OUTER BEARING CONE L 44649	2
28	NC14-70-0081	SPINDLE WASHERS	2
29	NC14-70-0080	SPINDLE NUT	2
30	NC01-69-0159	SPRING PIN 3/16" X 1 1/2"LG	2
31	NC14-70-0092	GREASE CAP	2
32	26-13-2405	AXLE WHEEL	2
33	01-01-0925	FLAT WASHER 1 1/64" Dia. X Ø 33/64" X 10GA	4
34	26-55-2235	BUMPPER "STICKER INCLUDED"	1
35	26-01-0950	ANTI SCALPE SKATE	2
36	26-55-2060	WHEEL FENDER (LEFT) "STICKER INCLUDED"	1
37	26-01-3100	SIDE BRACKET FENDER	2
38	26-01-2490	GAS TANK SUPPORT BRACKET (RIGHT)	1
39	26-01-2485	GAS TANK SUPPORT BRACKET (LEFT)	1
40	26-50-2105	LEFT SIDE UNION CASING	1
41	26-01-3060	GAS TANK BASE	1
42	26-55-2065	WHEEL FENDER (RIGHT) "STICKER INCLUDED"	1
43	01-33-0010	FLAT WASHER 1 1/2" Dia. X Ø 25/64" X 11GA	4
44	26-13-1400	BELT STOPPER	1
45	NC01-29-0258	HEX.BOLT 1/2"-20 X 3 3/4" LG (GRADE 5)	1
46	01-01-0925	FLAT WASHER 1 1/64" Dia. X Ø 33/64" X 10GA	3
47	21-01-0935	FLAT WASHER 1 1/64" Dia. X Ø 33/64" (SPECIAL)	2
48	NC01-97-0008	NYLON INSERT LOCKNUTS 1/2"-20	1

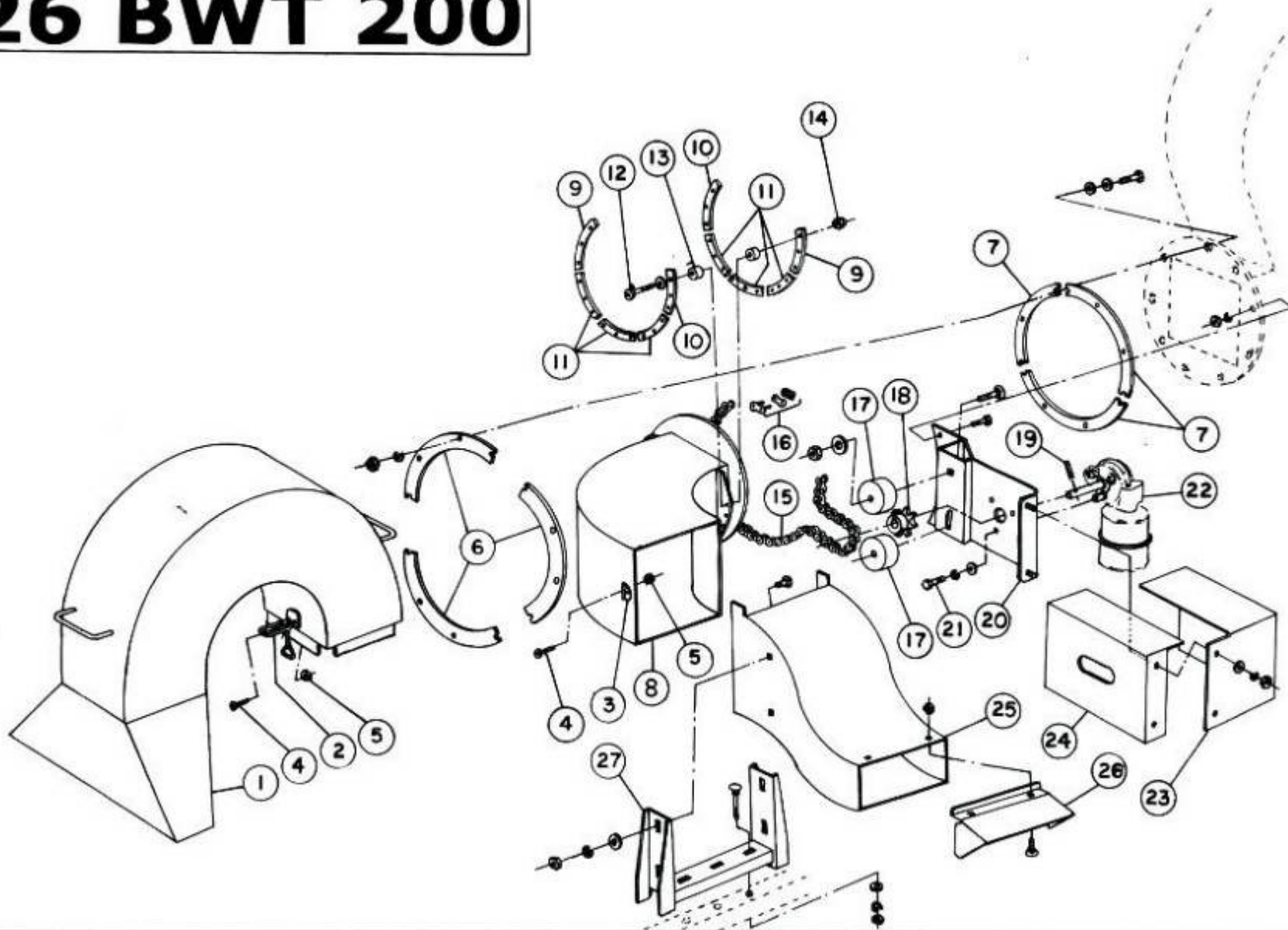
# 26 BWT 200



**PULL - TYPE LEAF BLOWER BWT 200**

<b>REF.</b>	<b>PART NO.</b>	<b>DESCRIPTION</b>	<b>QTE</b>
1	26-01-7630	BELT STOPPER SUPPORT	1
2	NC14-62-0085	CAST IRON SHAVE PULLEY 2B42 SH	1
3	NC14-62-0015	TAPERED QD BUSHING SD 1 1/8" (MOTOR)	1
4	NC14-25-0593	V-BELT B-79 (5/8" X 82")	2
5	26-21-0005	IDLER PULLEY SUPPORT	1
6	NC14-75-0084	BALL BEARING SCA 205-16 Ø 1"	2
7	26-21-0010	IDLER PULLEY 6" Dia.	1
8	26-05-1000	BELT GUARD SUPPORT	1
9	03-38-0005	FLANGE BEARING UCFL 206-18 X Ø 1 1/8"	2
10	NC13-80-0061	BUSHING 5/8" X 1/2" X 3/8"	4
11	NC14-62-0163	CAST IRON SHAVE PULLEY 2B5.4 SDS	1
12	NC14-62-0010	TAPERED QD BUSHING SDS 1 1/8" KW 1/4" (MOTOR)	1
13	26-55-2220	BELT GUARD "STICKER INCLUDED"	1
14	01-33-0010	FLAT WASHER 1 1/2" Dia. X Ø 25/64" X 11GA	2
15	26-50-2025	IMPELLER (B.W.T. 200)	1
16	06-41-0935	SQUARE KEY 1/2" X 1/2" X 1 1/2" LG	1
17	26-01-3055	BALL BEARING GUARD	1
18	01-01-1660	FLAT WASHER 1 1/2 Dia. X Ø 33/64 X 11GA	1

# 26 BWT 200

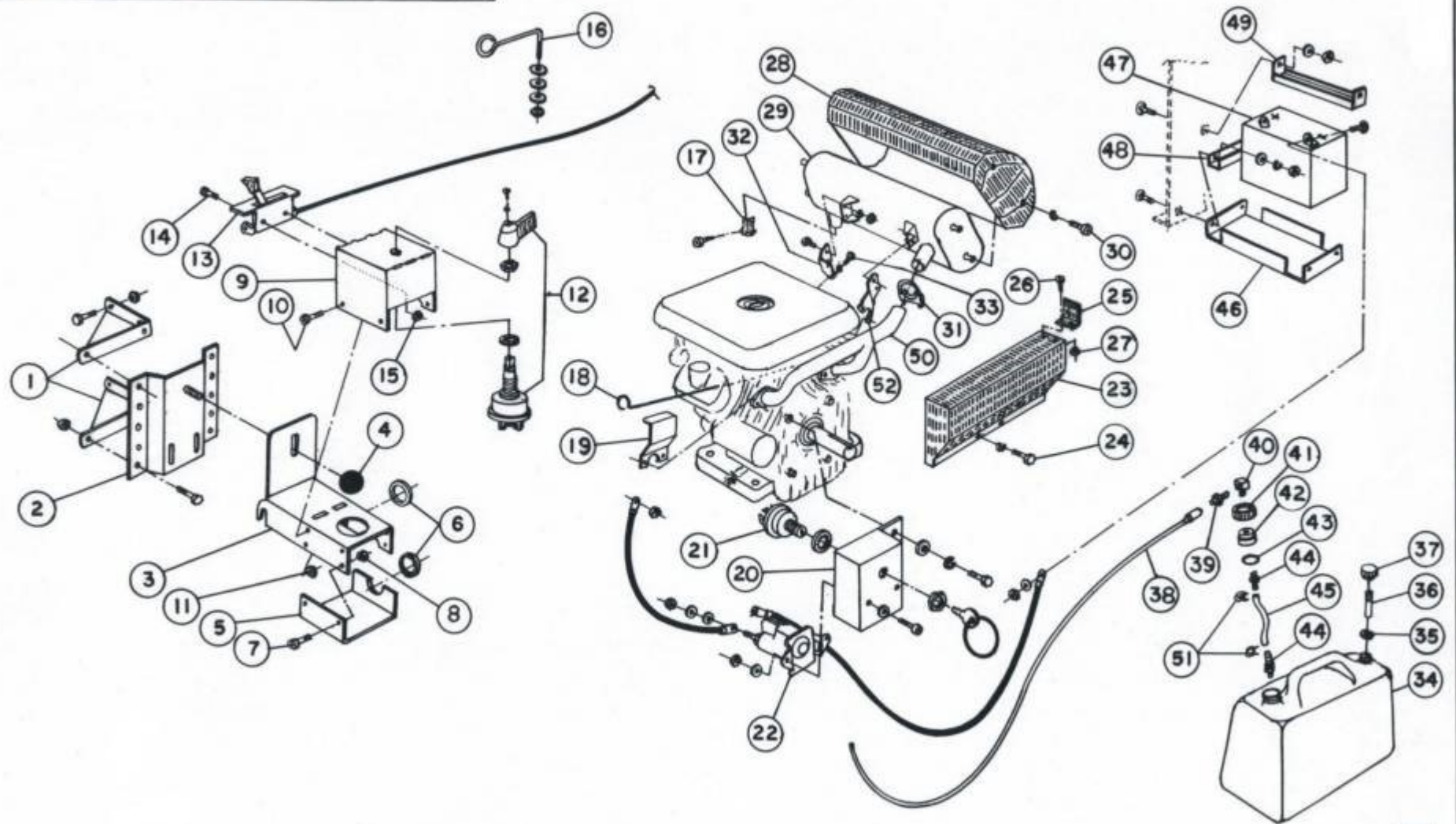




## PULL - TYPE LEAF BLOWER BWT 200

REF.	PART NO.	DESCRIPTION	QTE
1	26-50-2100	CART PATH ELBOW	1
2	NC01-63-0036	ADJUSTABLE LATCH	2
3	NC01-63-0037	LATCH STRIKE	2
4	NC02-36-0110	FLAT HEAD MACHINE SCREW 3/16"-24 X 3/4" LG	10
5	NC01-96-0006	NYLON INSERT LOCKNUTS 10-24	10
6	26-04-6855	DUCT FLANGE SHIM STOPPER	3
7	16-04-0300	FLANGE SHIM	3
8	26-55-2085	DUCT "STICKER INCLUDED"	1
9	26-01-3005	CHAIN GUIDE (LEFT)	2
10	26-01-3010	CHAIN GUIDE (RIGHT)	2
11	26-01-3015	CHAIN GUIDE (CENTER)	6
12	NC02-40-0083	MACHINE SCREWS SQUARE SOCKET #10-24 X 1" LG	15
13	26-21-0000	CHAIN GUIDE BUSHING	30
14	NC01-96-0006	NYLON INSERT LOCKNUTS 10-24	15
15	26-37-2000	CHAIN #35 X 40 1/2 " LONG ASSY.	1
16	NC14-20-0037	LINK # 35	2
17	26-42-0105	CHAIN TIGHTENER	2
18	NC14-55-0232	SPROCKET 35 B 8 X Ø 7/16"	1
19	NC01-69-0377	SPRING PIN 1/8" X 3/4" LG	1
20	26-50-2125	ELECTRIC MOTOR SUPPORT	1
21	NC01-37-0004	HEX.BOLT 1/4"-28 X 3/4" LG (GRADE 8)	3
22	26-55-2165	ELECTRIC MOTOR 12 VOLTS ASSY.	1
23	26-55-2230	MOTOR GUARD 12 VOLTS "STICKER INCLUDED"	1
24	26-55-2225	CHAIN GUARD "STICKER INCLUDED"	1
25	26-55-2240	AIR DEFLECTOR "STICKER INCLUDED"	2
26	26-55-2070	ADJUSTABLE DEFLECTOR "STICKER INCLUDED"	2
27	26-50-2030	AIR DEFLECTOR SUPPORT	2

# 26 BWT 200

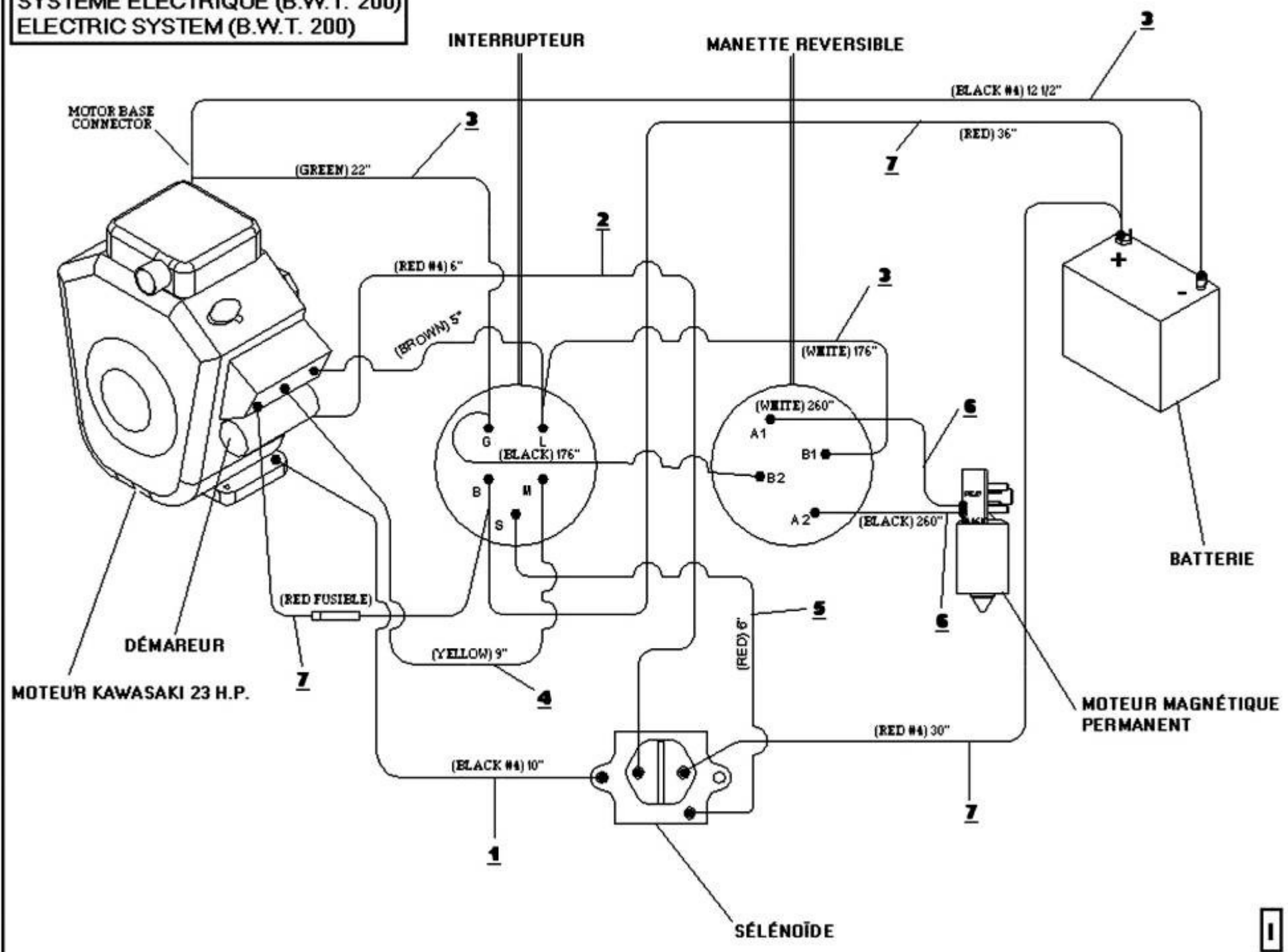


## PULL - TYPE LEAF BLOWER BWT 200

REF.	PART NO.	DESCRIPTION	QTE
1	26-01-3115	CONTROL BRACKET 90°	2
2	22-50-0150	HYDRAULIC CONTROL SUPPORT BASE	1
3	26-01-3080	REMOVABLE CONTROL BASE	1
4	NC01-64-0232	PLASTIC KNOB 1 7/8" Dia.	1
5	26-01-3085	REMOVABLE UNDER BASE CONTROL	1
6	NC13-15-0055	RUBBER GROMMETS	4
7	NC02-40-0080	MACHINE SCREWS SQUARE SOCKET #10-24 X 1/2" LG	4
8	NC01-96-0006	NYLON INSERT LOCKNUTS 10-24	4
9	26-55-2245	REMOVABLE TOP CONTROL BOX	1
10	NC02-40-0080	MACHINE SCREWS SQUARE SOCKET #10-24 X 1/2" LG	4
11	NC01-96-0006	NYLON INSERT LOCKNUTS 10-24	4
12	NC14-35-0231	REVERSIBLE SWITCH	1
13	NC13-37-0376	GAS CÂBLE AND CONTROL LEVER	1
14	NC02-40-0080	MACHINE SCREWS SQUARE SOCKET #10-24 X 1/2" LG	2
15	NC01-96-0006	NYLON INSERT LOCKNUTS 10-24	2
16	26-41-0050	HYDRAULIC WIRE & GAS LINE SUPPORT	1
17	NC13-37-0510	SPARK ARRESTOR FOR 23 HP KAWASAKI	1
18	NC17-60-0019	CHOKE ROD	1
19	26-03-3000	CABLE SHIELD	1
20	26-55-2250	JUNCTION BOX "STICKER INCLUDED"	1
21	NC13-37-0494	ELECTRICAL SWITCH 23 H.P.	1
22	NC13-37-0495	SELENOID	1
23	26-55-2210	MANIFOLD GUARD ASSY.	1
24	NC01-45-0184	METRIC BOLT 8MM X 20MM (GRADE 8.8)	2
25	26-01-3120	MANIFOLD GUARD BRACKET	1
26	NC02-40-0080	MACHINE SCREWS SQUARE SOCKET #10-24 X 1/2" LG	4
27	NC01-96-0006	NYLON INSERT LOCKNUTS 10-24	4
28	22-50-1000	MUFFLER GUARD	1
29	22-50-1005	MUFFLER	1
30	NC01-29-0003	HEX.BOLT.1/4"-28 X 5/8" LG (GRADE 5)	4
32	22-01-0097	MUFFLER BRACKET	1
33	NC01-45-0186	METRIC BOLT 8MM X 25MM (GRADE 5)	2
34	NC13-80-0179	GAS TANK	1
35	NC13-15-0056	O-RING	1
36	26-21-0020	AIR BREADER EXTENTION	1
37	NC13-80-0188	AIR BREADER CAP	1
38	26-55-2175	GAS LINE 1/4" Ø X 65" LG ASSY.	1
39	NC01-80-0003	GAS LINE NIPPLE MALE	1
40	NC13-65-0047	90° BRASS EXTRUDED STREET ELBOW 1/4 FEM. NPT X 1/4 MÂLE NPT	1
41	NC13-80-0062	GAS CAP	1
42	22-42-0110	GAS LINE CAP ADAPTOR	1
43	NC13-15-0050	O-RING	1
44	NC01-80-0006	HOSE BARB TO MALE PIPE CONNECTOR	2
45	22-46-0530	GAS LINE 15" LG "TANK"	1
46	26-01-3020	BATTERY SUPPORT	1
47	NC13-12-0001	BATTERY (12 VOLTS)	1
48	26-01-3095	BATTERY STOPPER	2
49	26-01-3090	BATTERY RETAINER	1
50	NC13-37-0481	EXHAUST MANIFOLD	1
N/I	NC13-37-0478	EXHAUST MANIFOLD GASKET	2
N/I	NC13-37-0492	SPECIAL LOCK WASHER	4
N/I	NC13-37-0491	METRIC NUT 8 mm	4
51	NC01-65-0201	SPRING-GRIP HOSE CLAMPS 1/2" O.D.	2
52	22-01-1545	MUFFLER SUPPORT (LEFT)	1
N/I	22-13-0110	MANIFOLD STUD SPEACER	2



**SYSTÈME ÉLECTRIQUE (B.W.T. 200)**  
**ELECTRIC SYSTEM (B.W.T. 200)**



**PULL - TYPE LEAF BLOWER BWT 200**

<b>REF.</b>	<b>PART NO.</b>	<b>DESCRIPTION</b>	<b>QTE</b>
1	26-55-2105	NEGATIVE SELENOIL CABLE ASSY.	1
2	26-55-2110	POSITIF SELENOIL CABLE ASSY.	1
3	26-55-2115	NEGATIVE SUPPLY CABLE FROM CONTACT TO SWITCH ASSY.	1
4	26-55-2125	YELLOW WIRE FROM ENGINE TO SELENOIL ASSY.	1
5	26-55-2130	RED WIRE FROM SWITCH TO SELENOIL ASSY.	1
6	26-55-2140	ELECTRIC SUPPLY WIRE FROM SWITCH TO MOTOR ASSY.	1
7	26-55-2155	ELECTRIC SUPPLY WIRE FROM SELENOIL TO ENGINE ASSY.	1
N/I	NC13-37-0508	20 FUSE CASE AMPS ASSY.	1
N/I	NC13-37-0570	20 AMPS FUSE	1
N/I	NC13-37-0513	AMPS 20 FUSE	1

## STICKER BWT 200

REF.	PART NO.	DESCRIPTION	QTE
N/I	26-58-2000	STICKER KIT (BWT 200)	1
N/I	NC13-33-0112	STICKER DANGER BLOWER BLADE HAZARD...	2
N/I	NC13-33-0101	STICKER QUIETER DESIGN...	2
N/I	NC13-33-0109	STICKER DANGER FIRE HAZARD NO SMOKING	1
N/I	06-60-0000	STICKER AGRIMÉTAL INC "MEDIUM"	2
N/I	NC13-33-0108	STICKER CAUTION / READ OPERATOR'S MANUAL BEFORE STARTING...	1
N/I	01-60-0070	STICKER WARNING MISSING SHIELD HAZARD...	1
N/I	NC13-33-0104	STICKER IMPORTANT 4 INCHES 100 MM	1
N/I	01-60-0005	STICKER AGRIMÉTAL INC "SMALL"	1
N/I	01-60-0115	STICKER WARNING ROTATING PART HAZARD...	1
N/I	01-60-0110	STICKER WARNING ROTATING PART HAZARD...	2
N/I	NC13-33-0102	STICKER REFLECTOR (TRIANGLE)	1
N/I	NC13-33-0110	STICKER DANGER THROWN OBJECT HAZARD...	2
N/I	NC13-33-0115	STICKER TWO WAY DEFLECTOR	2
N/I	NC13-33-0111	STICKER LEFT RIGHT	1
N/I	NC13-33-0095	STICKER OFF ON START (2 3/4" X 1 3/8")	1