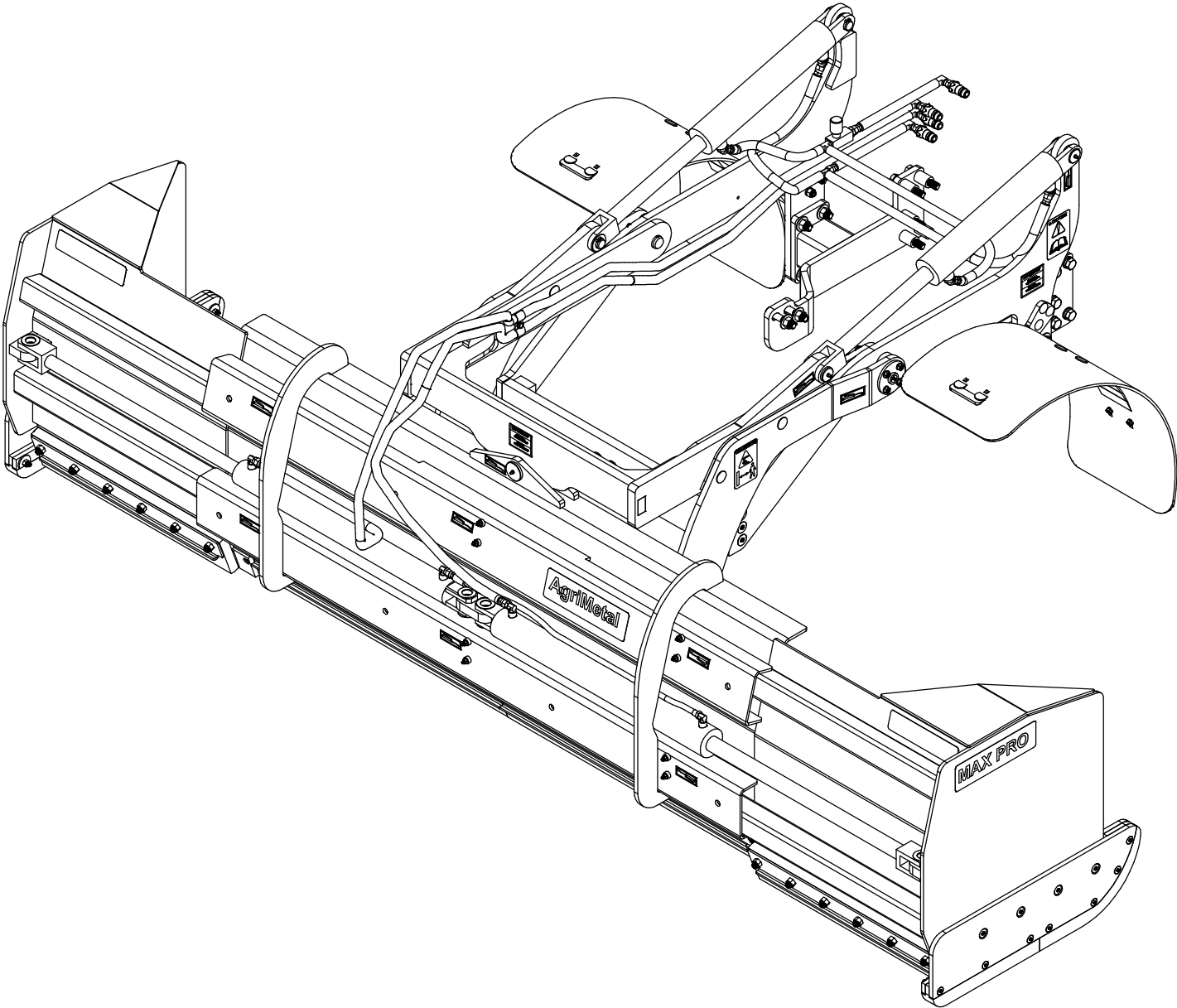


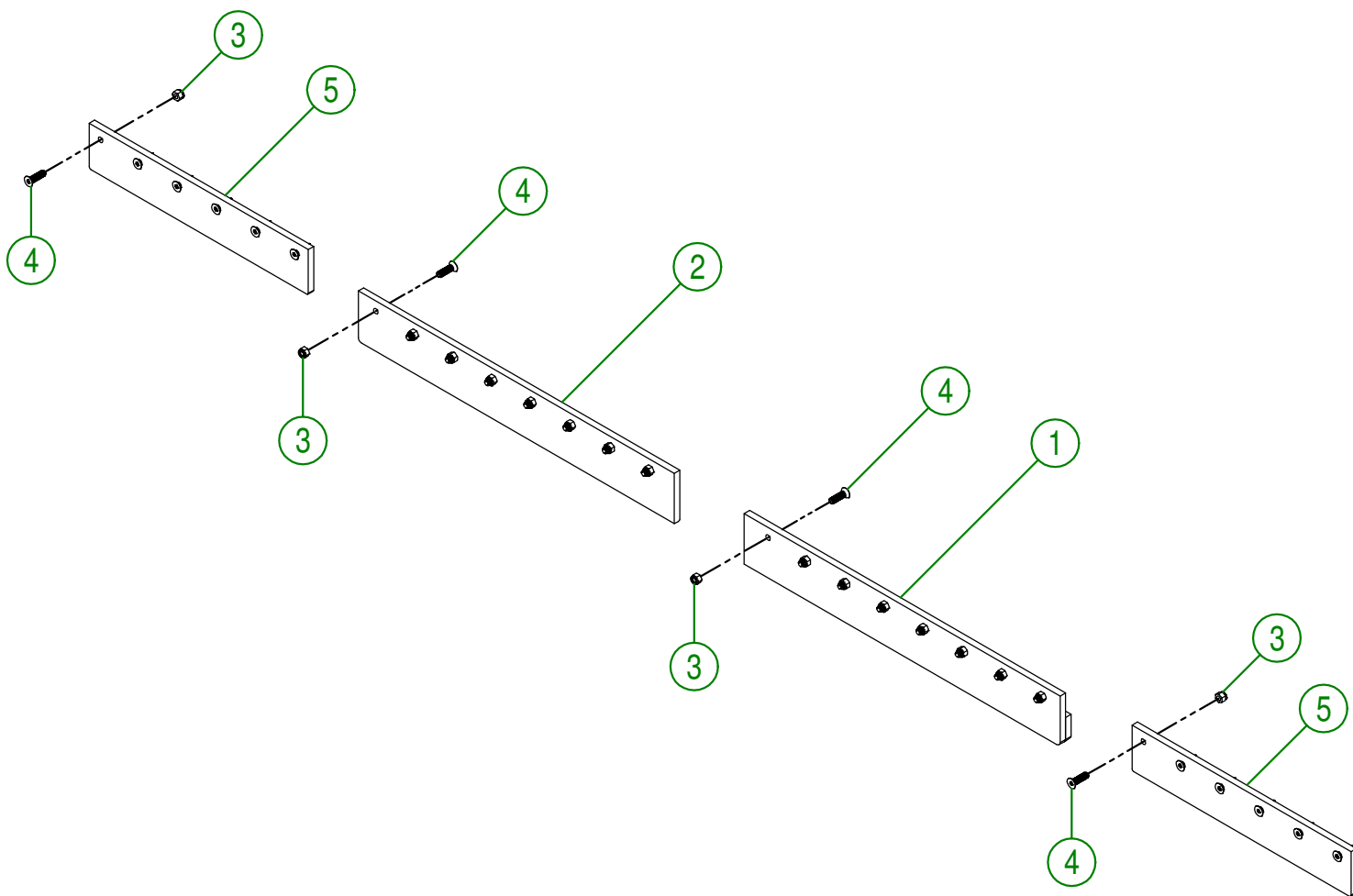
AgriMetal

PARTS LIST



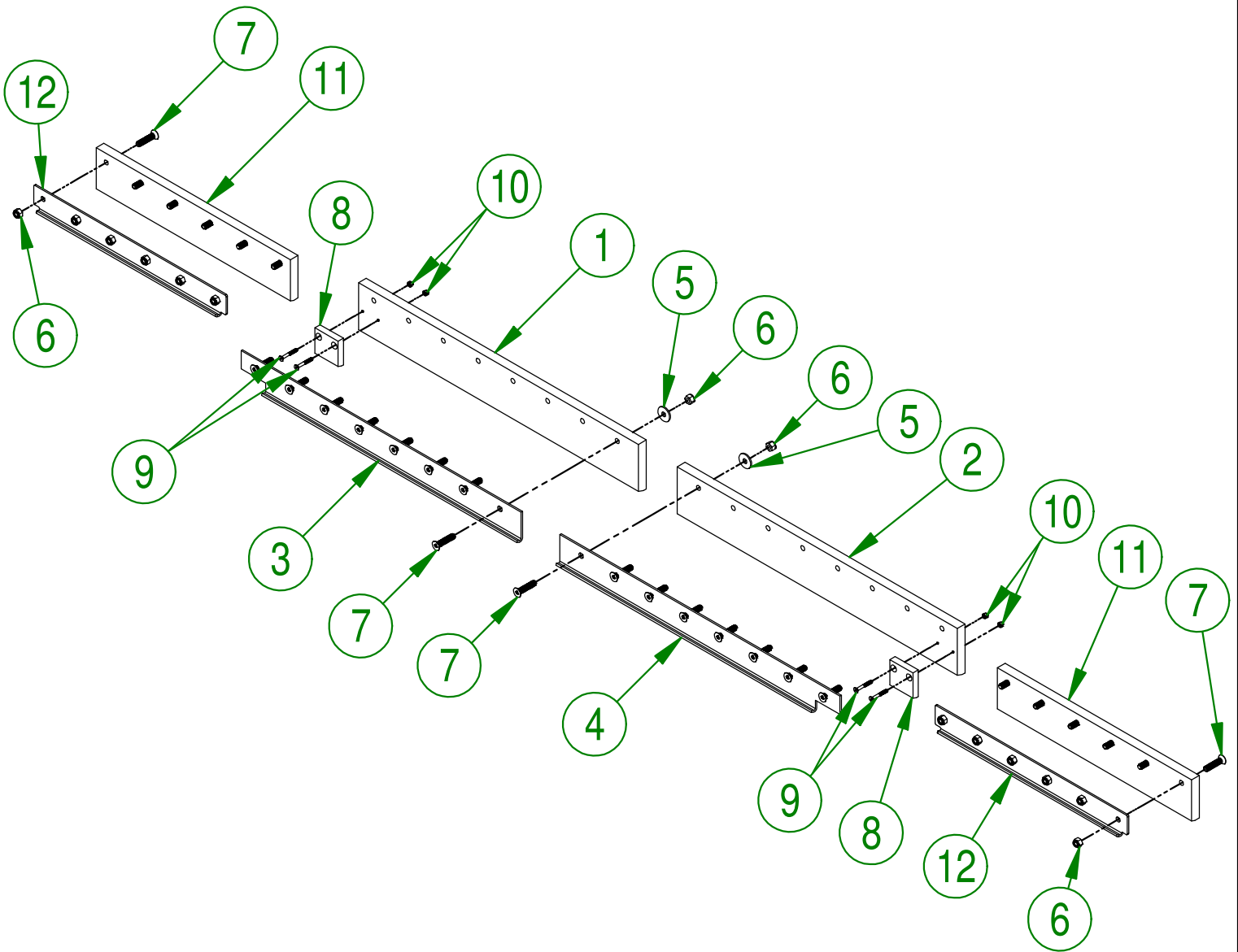
MAX PRO 6-10 (CASE 55C CVT)

#	PART #	Qty	TITLE
1	92-50-0051	1	RIGHT CENTER KNIFE
2	92-50-0056	1	LEFT CENTER KNIFE
3	NC01-96-0014	28	NYLON INSERT LOCKNUT 1/2-13"
4	NC02-48-0547	28	FLAT HEAD SOCKET CAP SCREW STAINLESS 1/2-13 X 1 3/4
5	92-20-0378	2	KNIFE



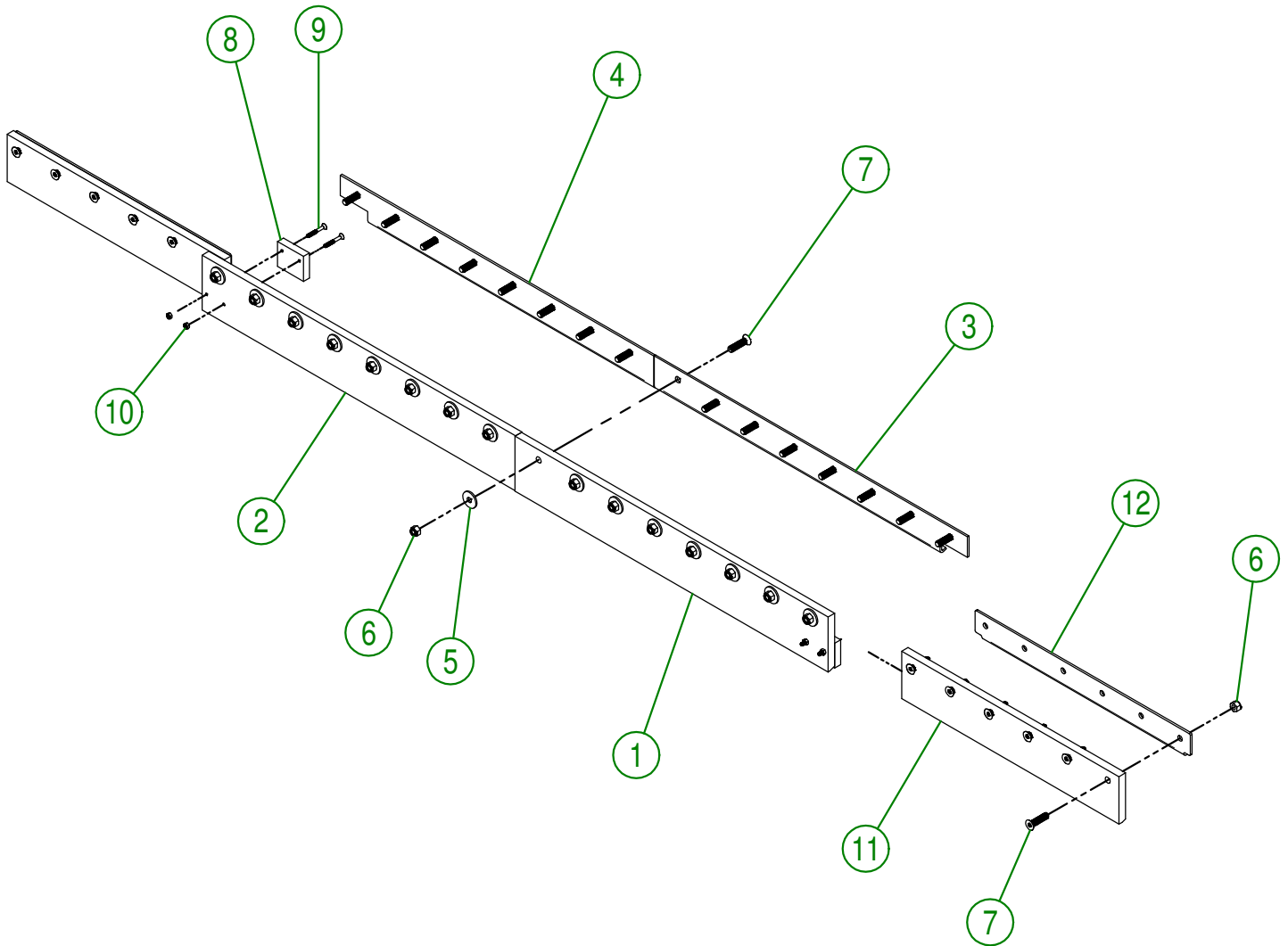
AGRIMETAL	
QT KNIFE GROUP	
CREATION : 10/08/16	ASSEMBLY : 92-57-0200
REVISION : 29/12/17	AUTHOR : Production Page 1 de 11

#	PART #	Qty	TITLE
1	92-42-0132	1	KNIFE (U.H.M.W)
2	92-42-0130	1	KNIFE (U.H.M.W)
3	92-04-0021	1	KNIFE BRACE (RIGHT)
4	92-04-0024	1	KNIFE BRACE (LEFT)
5	91-20-0150	16	WASHER
6	NC01-96-0014	28	NYLON INSERT LOCKNUT 1/2-13"
7	NC02-48-0549	28	STAINLESS FLAT HEAD SOCKET CAP SCREW 1/2-13 X 2 1/4"
8	92-42-0120	2	SNOW GUARD
9	NC02-48-0582	4	FLAT HEAD SOCKET CAP SCREW STAINLESS 1/4-20 X 2"
10	NC01-96-0009	4	NYLON-INSERT LOCKNUT ZINC 1/4-20
11	92-42-0148	2	KNIFE (U.H.M.W)
12	92-04-0016	2	KNIFE BRACE (OUTSIDE)



AGRIMETAL	
UHMW KNIFE GROUP	
CREATION : 10/08/16	ASSEMBLY : 92-57-0205
REVISION : 15/11/18	AUTHOR : Production Page 2 de 11

#	PART #	Qty	TITLE
1	92-42-0003	1	INSIDE RUBBER KNIFE (RIGHT)
2	92-42-0000	1	INSIDE RUBBER KNIFE (LEFT)
3	92-04-0021	1	KNIFE BRACE (RIGHT)
4	92-04-0024	1	KNIFE BRACE (LEFT)
5	91-20-0150	16	WASHER
6	NC01-96-0014	28	NYLON INSERT LOCKNUT 1/2-13"
7	NC02-48-0548	28	FLAT HEAD SOCKET CAP SCREW STAINLESS 1/2-13 X 2"
8	92-42-0121	2	SNOW GUARD
9	NC02-48-0582	4	FLAT HEAD SOCKET CAP SCREW STAINLESS 1/4-20 X 2"
10	NC01-96-0009	4	NYLON-INSERT LOCKNUT ZINC 1/4-20
11	92-42-0005	2	OUTSIDE RUBBER KNIFE
12	92-04-0016	2	KNIFE BRACE (OUTSIDE)



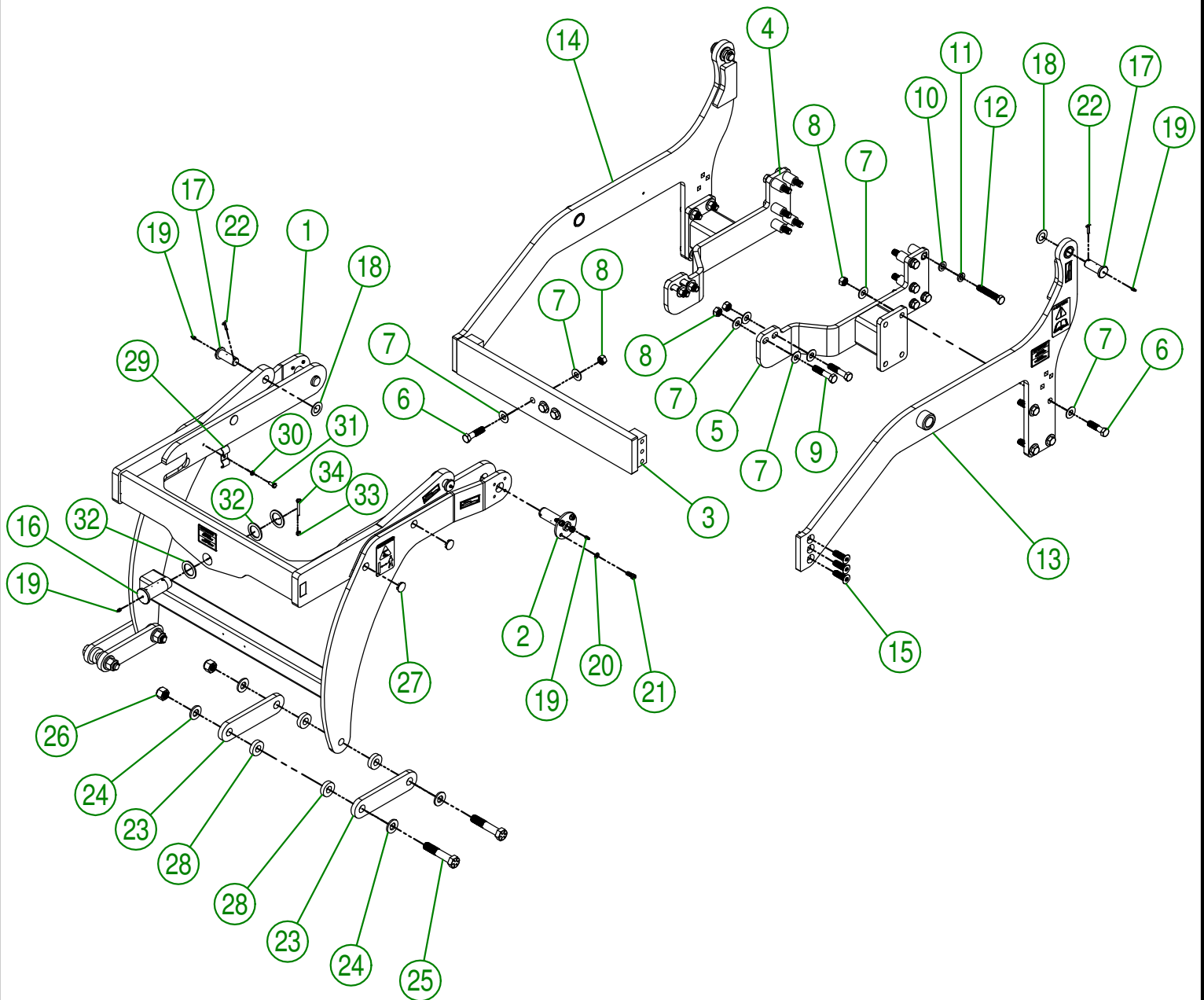
AGRIMETAL
RUBBER KNIFE GROUP

CREATION : 09/05/17
 REVISION : 07/08/18

ASSEMBLY : **92-57-0195**

AUTHOR : J. Houle

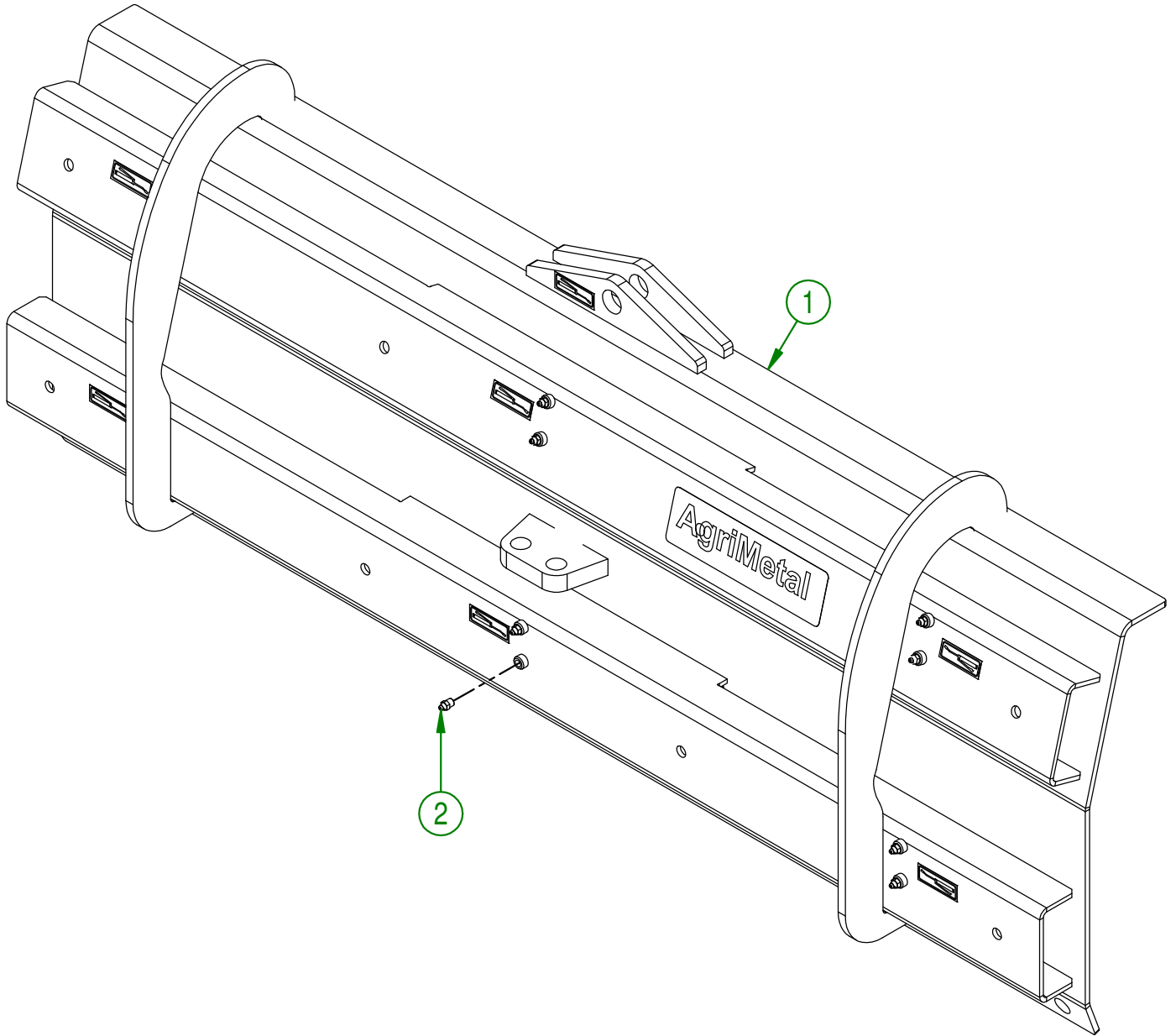
Page 3 de 11



AGRIMETAL	
SUBFRAME GROUP	
CREATION : 15/09/16	ASSEMBLY : 91-57-0230
REVISION : 08/02/19	AUTHOR : J.A.H. Page 4 de 11

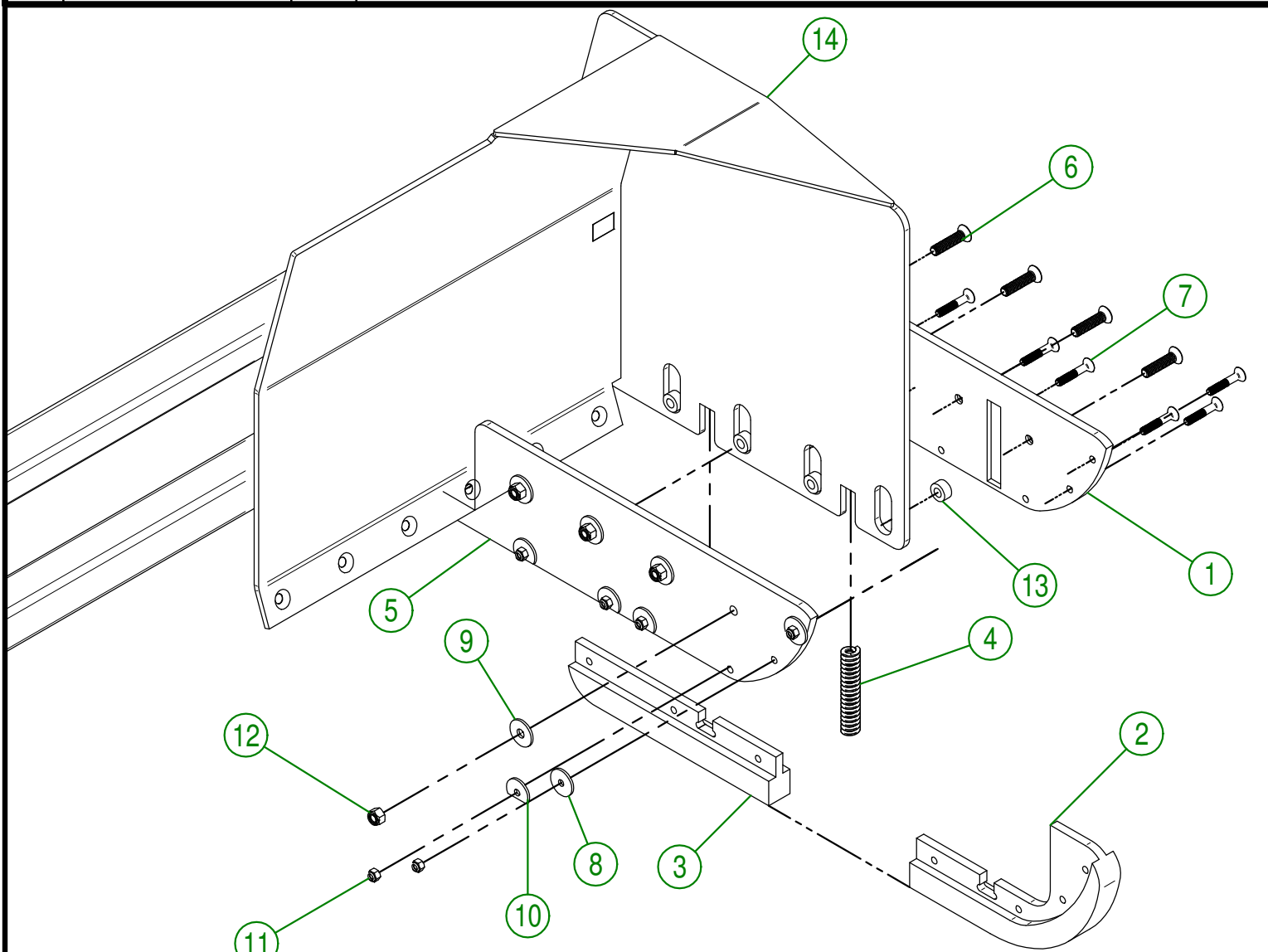
#	PART #	Qty	TITLE
1	91-57-0225	1	MOBILE SUBFRAME GROUP
2	91-50-0030	2	SUBFRAME PIVOT
3	91-50-0075	1	FRONT BUMPER PLATE
4	91-50-0085	1	SUBFRAME REINFORCEMENT SPACER RIGHT
5	91-50-0080	1	SUBFRAME REINFORCEMENT SPACER LEFT
6	NC01-54-0400	11	STAINLESS BOLT 5/8-18- X 2 1/2"
7	NC02-26-0100	30	WASHER STAINLESS 0.688 ID X 1.5 OD
8	NC01-94-0100	15	STAINLESS DISTORTED THREAD LOCKNUT
9	NC01-54-0405	4	STAINLESS BOLT 5/8-18- X 3"
10	NC02-26-0105	10	STAINLESS WASHER M16
11	NC02-32-0105	10	STAINLESS LOCK WASHER M16
12	NC01-51-0003	10	STAINLESS BOLT M16 X 2 X 90MM
13	91-57-0160	1	LEFT SUBFRAME GROUP
14	91-57-0165	1	RIGHT SUBFRAME GROUP
15	NC02-48-0562	6	FLAT HEAD SOCKET CAP SCREW STAINLESS 5/8-11 X 1 1/2"
16	91-13-2800	1	CENTER PIVOT SHAFT
17	91-20-0210	4	CYLINDER PIVOT
18	91-22-2200	4	FLAT WASHER HYDRAULIC CYLINDER
19	NC01-69-0785	7	STRAIGHT GREASE FITTING 1/4-28
20	NC02-32-0012	8	LOCK WASHER ZINC 3/8"
21	NC01-37-0114	8	BOLT GR8 3/8" X 1"
22	NC01-69-0159	4	COTTER PIN ZINC 3/16 X 1 1/2"
23	91-04-1420	4	BLADE CONNECTOR
24	NC17-57-0052	8	FLAT WASHER
25	NC01-33-0506	4	CAP SCREW GR8 NC ZINC 7/8-9 X 4 1/2" LG
26	NC01-96-0018	4	NYLON INSERT NUT 7/8-9
27	NC13-80-0273	8	BLACK CAP 1" DIA
28	NC13-15-0319	8	RUBBER WASHER
29	91-01-0020	1	HYDRAULIC HOSE PROTECTOR
30	NC02-32-0011	1	LOCK WASHER ZINC 5/16"
31	NC01-17-0058	1	HEX. BOLT GR2 ZINC 5/16-18 X 3/4"
32	92-01-0005	3	WASHER 2 1/4" DIA. X 1 9/16"
33	NC01-93-0001	1	HEX. NUT NC ZINC 1/4-20
34	NC01-17-0010	1	HEX. BOLT GR2 NC ZINC 1/4-20 X 2"

#	PART #	Qty	TITLE
1	92-57-0260	1	CENTRAL BLADE MAX PRO 6-10 INCLUDED STICKER GROUP.
2	NC01-69-0791	12	GREASE FITTING 1/8 NPT STRAIGHT



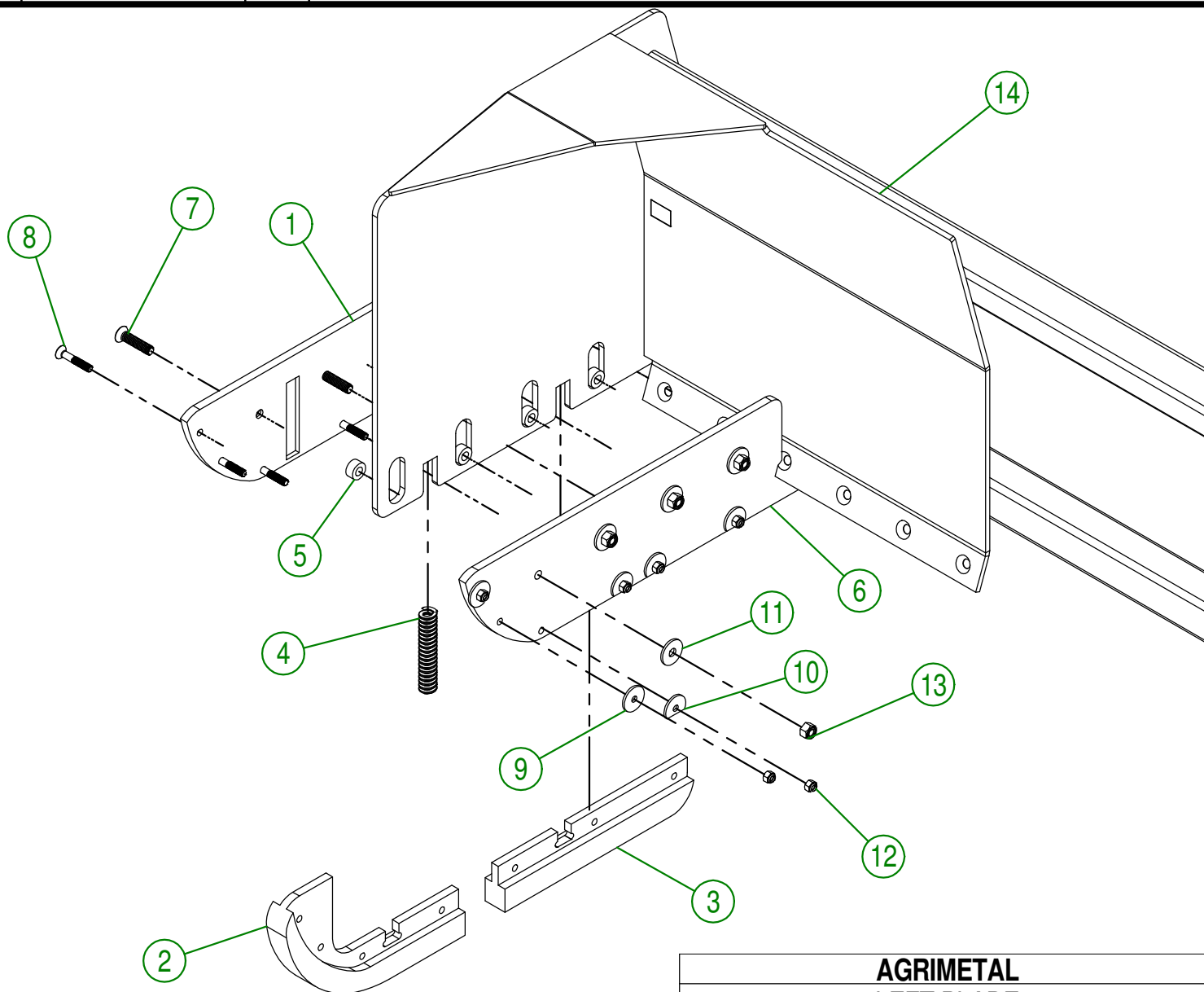
AGRIMETAL	
CENTER BLADE	
CREATION : 20/12/17	ASSEMBLY : 92-57-0040
REVISION : 15/11/18	AUTHOR : J.KABWE Page 6 de 11

#	PART #	Qty	TITLE
1	91-42-0144	1	FLOATING SKATE (RIGHT OUTSIDE)
2	NC13-15-0325	1	FLOATING SKATE (MIDDLE FRONT)
3	NC13-15-0323	1	FLOATING SKATE (MIDDLE BACK)
4	NC13-86-0052	2	SPRING 1/2" ID X 1" OD X 5" LG
5	91-42-0142	1	FLOATING SKATE (RIGHT INSIDE)
6	NC02-48-0549	4	STAINLESS FLAT HEAD SOCKET CAP SCREW 1/2-13 X 2 1/4"
7	NC02-48-0537	7	STAINLESS FLAT HEAD SOCKET CAP SCREW 3/8-16 X 2 1/4"
8	91-20-0163	2	WASHER
9	91-20-0150	4	WASHER
10	91-20-0160	5	WASHER
11	NC01-96-0011	7	NYLON NUT 3/8-16
12	NC01-96-0014	4	NYLON INSERT LOCKNUT 1/2-13"
13	91-09-0000	4	BUSHING
14	92-57-0265	1	RIGHT BLADE



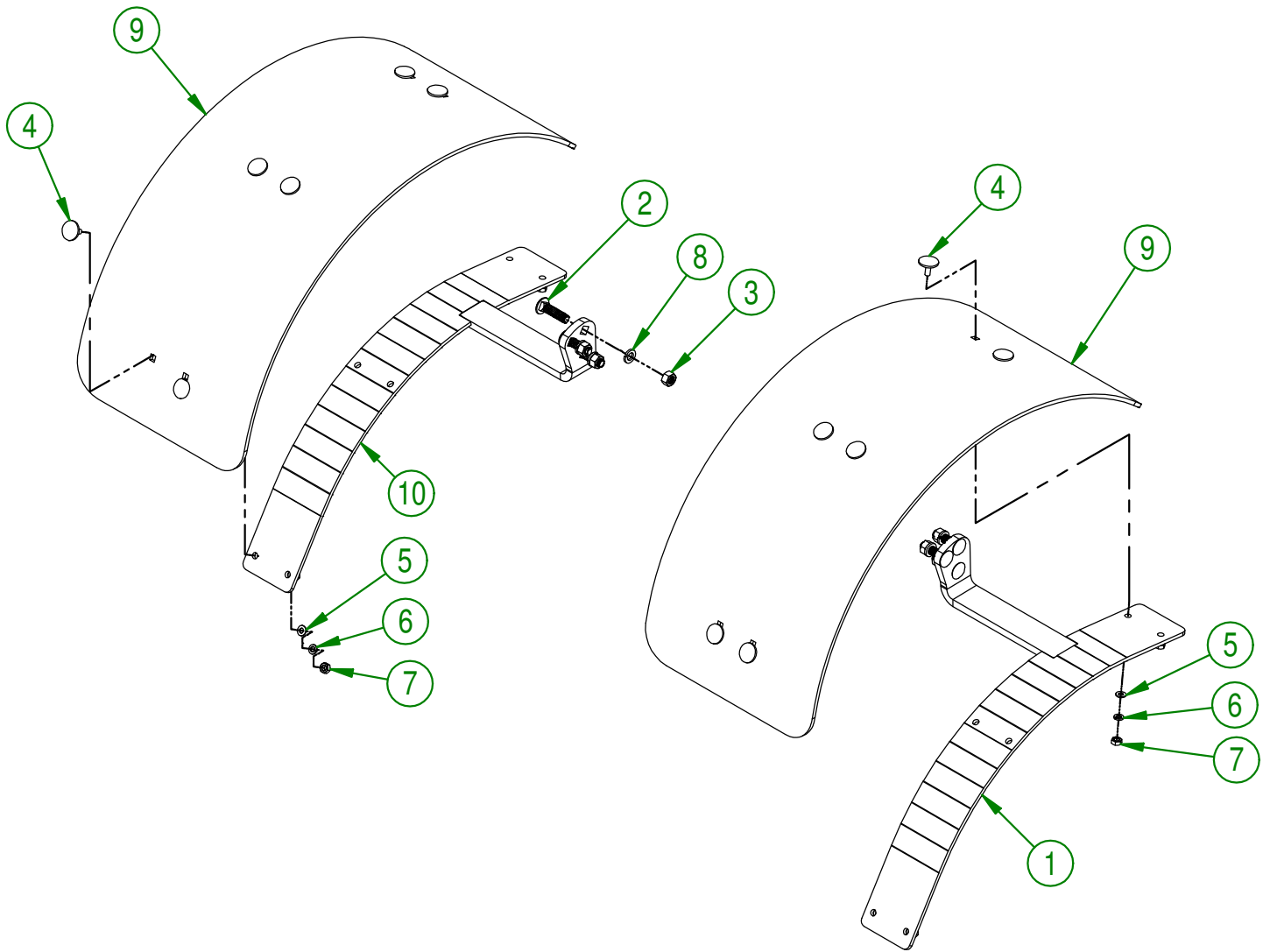
AGRIMETAL	
RIGHT BLADE	
CREATION : 10/08/16	ASSEMBLY : 92-57-0045
REVISION : 15/11/18	AUTHOR : JA. H
	Page 7 de 11

#	PART #	Qty	TITLE
1	91-42-0140	1	FLOATING SKATE (LEFT EXT.)
2	NC13-15-0325	1	FLOATING SKATE (MIDDLE FRONT)
3	NC13-15-0323	1	FLOATING SKATE (MIDDLE BACK)
4	NC13-86-0052	2	SPRING 1/2" ID X 1" OD X 5" LG
5	91-09-0000	4	BUSHING
6	91-42-0136	1	FLOATING SKATE (LEFT INT.)
7	NC02-48-0549	4	STAINLESS FLAT HEAD SOCKET CAP SCREW 1/2-13 X 2 1/4"
8	NC02-48-0537	7	STAINLESS FLAT HEAD SOCKET CAP SCREW 3/8-16 X 2 1/4"
9	91-20-0163	2	WASHER
10	91-20-0160	5	WASHER
11	91-20-0150	4	WASHER
12	NC01-96-0011	7	NYLON NUT 3/8-16
13	NC01-96-0014	4	NYLON INSERT LOCKNUT 1/2-13"
14	92-57-0270	1	LEFT BLADE



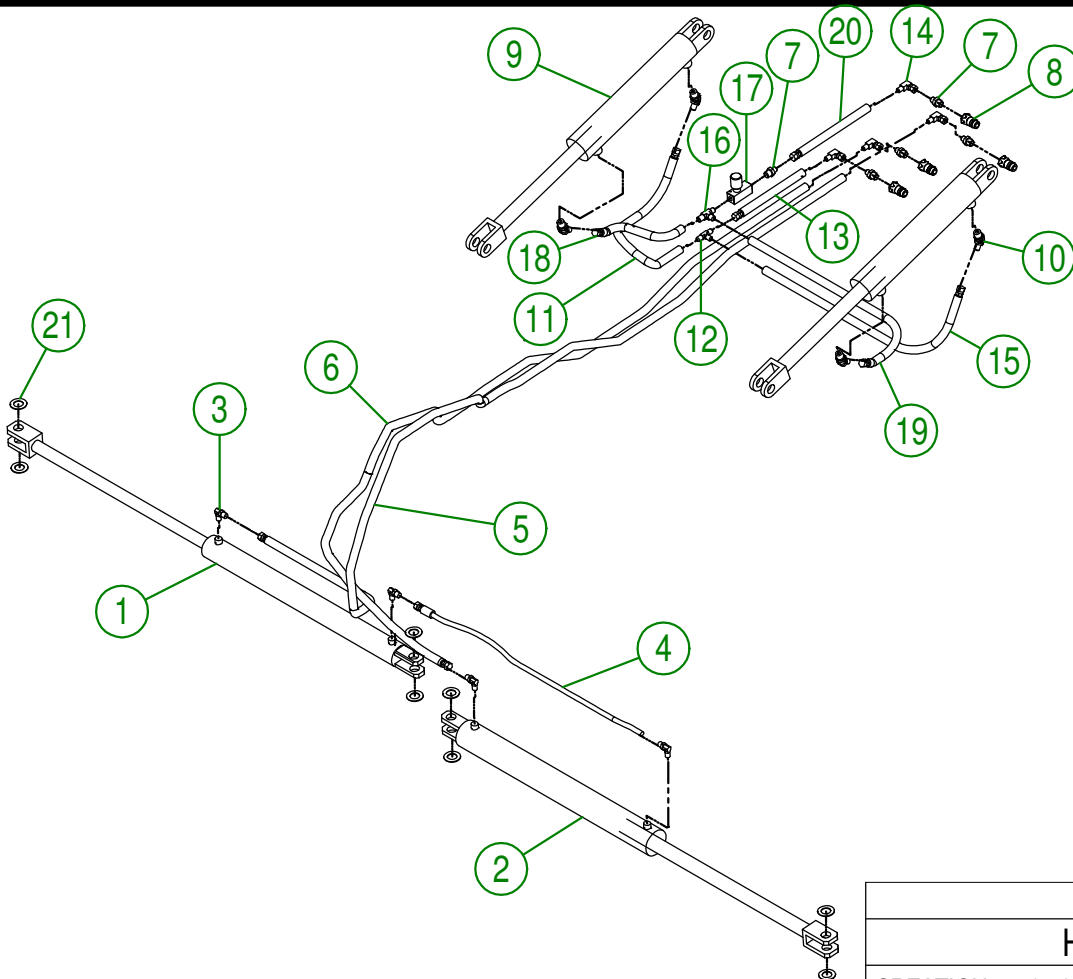
AGRIMETAL	
LEFT BLADE	
CREATION : 10/08/16	ASSEMBLY : 92-57-0050
REVISION : 15/11/18	AUTHOR : JA. H

#	PART #	Qty	TITLE
1	91-50-0065	1	LEFT MUD GUARD BRACKET
2	NC01-54-0200	6	CARR. BOLT STAINLESS 1/2-13 X 2"
3	NC02-14-0100	6	HEX NUT STAINLESS 1/2-13
4	NC01-13-0062	12	ELEVATOR STAINLESS BOLT 5/16-18 X 1"
5	NC02-22-0008	12	WASHER ZINC 5/16"
6	NC02-32-0011	12	LOCK WASHER ZINC 5/16"
7	NC02-07-0017	12	HEX. NUT 5/16-18
8	NC02-32-0100	6	LOCK WASHER STAINLESS 1/2"
9	91-42-0155	2	GUARD
10	91-50-0060	1	RIGHT MUDE GUARD BRACKET



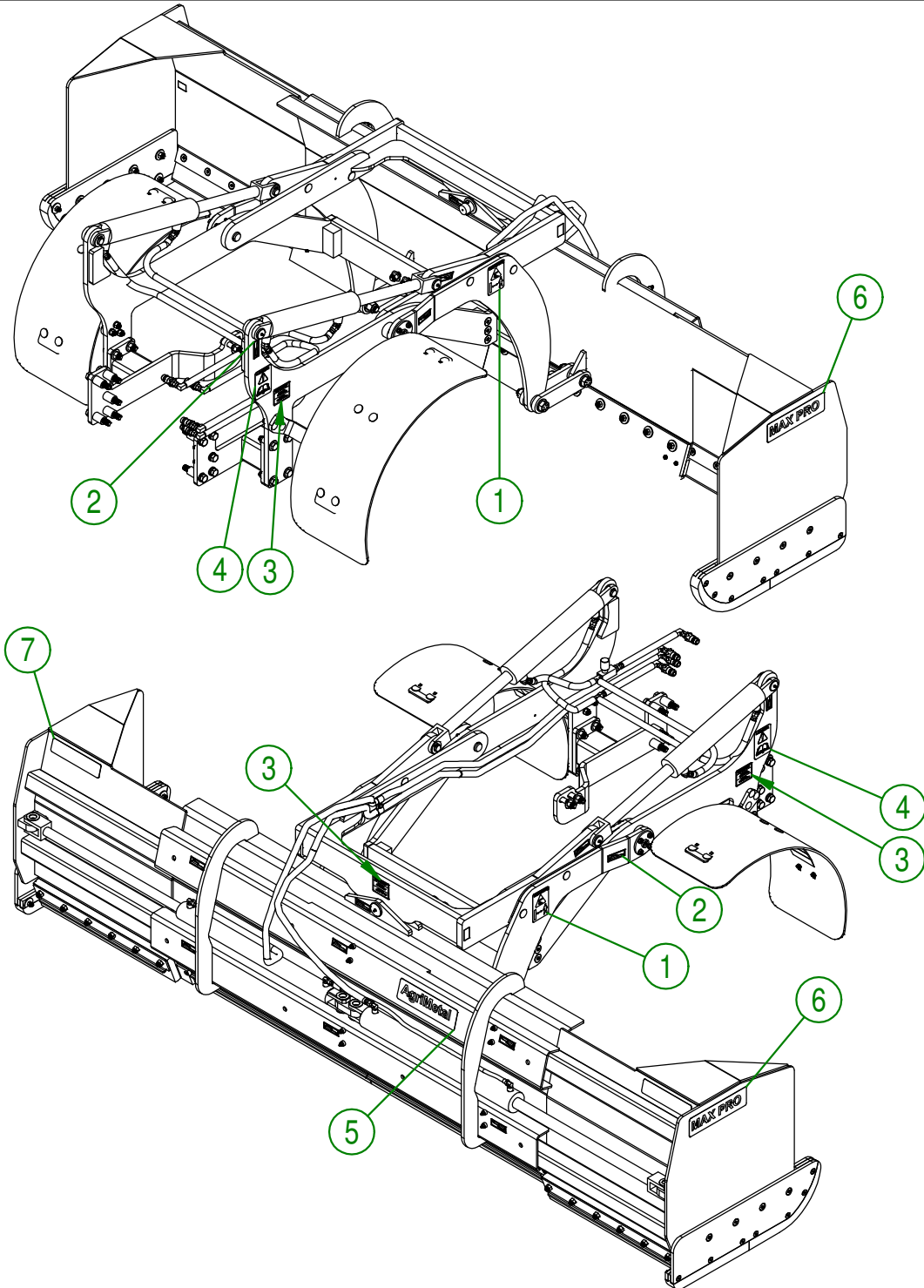
AGRIMETAL			
MUD GUARD GROUP			
CREATION : 09/08/16	ASSEMBLY :	91-57-0210	
REVISION : 11/09/19	AUTHOR : J.H.	Page 9 de 11	

#	PART #	Qty	TITLE
1	NCI3-45-0238	1	HYDRAULIC CYLINDER 2" X 24" STROKE
2	NCI3-45-0237	1	HYDRAULIC CYLINDER 2 1/2" X 24" STROKE
3	NCI3-45-0254	4	90 DEG ELBOW 9/16"-18 MALE SAE6 O RING X 3/8" MALE JIC
4	NCI7-02-0351	1	HYDRAULIC HOSE 34"
5	NCI7-02-0384	1	HYDRAULIC HOSE 107"
6	NCI7-02-0383	1	HYDRAULIC HOSE 105"
7	NCI3-45-0288	5	STRAIGHT FITTING 1/2" MALE JIC X 3/8" MALE NPT
8	NCI3-45-0285	4	QUICK COUPLER 3/8 NPTF
9	NCI3-45-0257	2	HYDRAULIC CYLINDER 2 1/2" X 12" STROKE
10	NCI3-45-0290	4	45 DEG ELBOW
11	NCI7-02-0381	1	HYDRAULIC HOSE 21 1/4"
12	NCI3-45-0289	1	T 3/8 MALE JIC X 3/8 MALE JIC X 3/8 MALE JIC
13	NCI7-02-0379	1	HYDRAULIC HOSE 15"
14	NCI3-45-0173	4	90 DEG ELBOW
15	NCI7-02-0392	1	HYDRAULIC HOSE 46"
16	NCI3-45-0244	1	TEE FITTING 3/8" MALE NPT X 3/8" MALE JIC X 3/8" MAL JIC
17	NCI3-45-0241	1	FLOW CONTROLE 3/8" NPT FEMALE
18	NCI7-02-0378	1	HYDRAULIC HOSE 10 1/2"
19	NCI7-02-0382	1	HYDRAULIC HOSE 57"
20	NCI7-02-0380	1	HYDRAULIC HOSE 20 3/4"
21	91-22-2200	8	FLAT WASHER HYDRAULIC CYLINDER



AGRIMETAL	
HYDRAULIC GROUP	
CREATION : 15/09/16	ASSEMBLY : 91-57-0280
REVISION : 08/02/19	AUTHOR : J.A.H. Page 10 de 11

#	PART #	Qty	TITLE
1	NC13-33-0268	2	STICKER WARNING
2	NC13-33-0024	14	STICKER GREASE HERE
3	NC13-33-0319	3	STICKER IMPORTANT GREASE EVERY 5 HOURS
4	NC13-33-0183	2	STICKER CAUTION OPERATION MANUAL
5	NC13-33-0035	1	STICKER AGRIMETAL
6	NC13-33-0265	2	STICKER MAX PRO
7	28-60-0050	2	STICKER SCOTCHLITE



AGRIMETAL	
MP 6-10 (CASE 55C CVT)	
CREATION : 16-09-2016	ASSEMBLY : 91-99-1000
REVISION : 08-02-2019	AUTHOR : J.A.H. Page 11 de 11