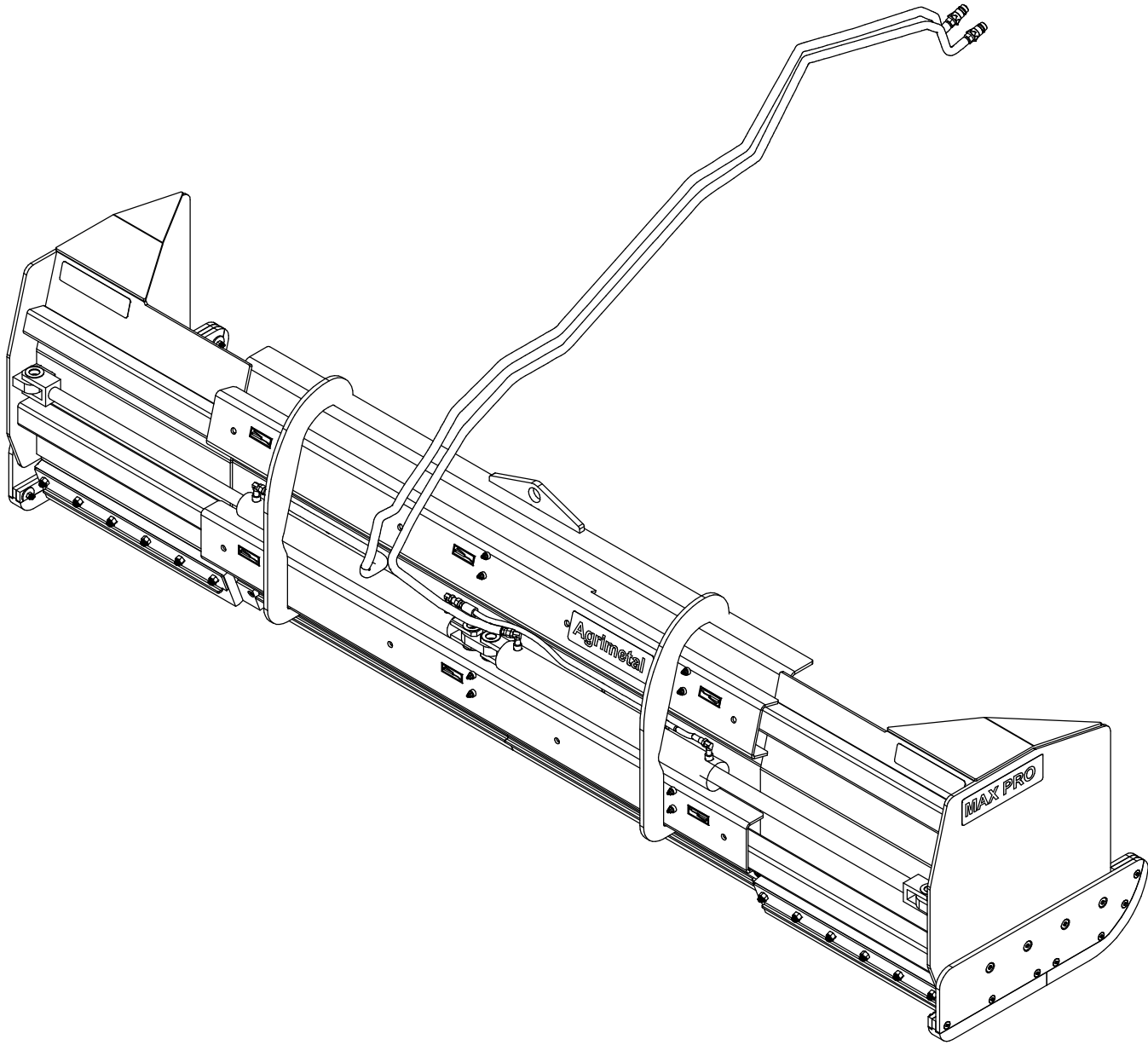


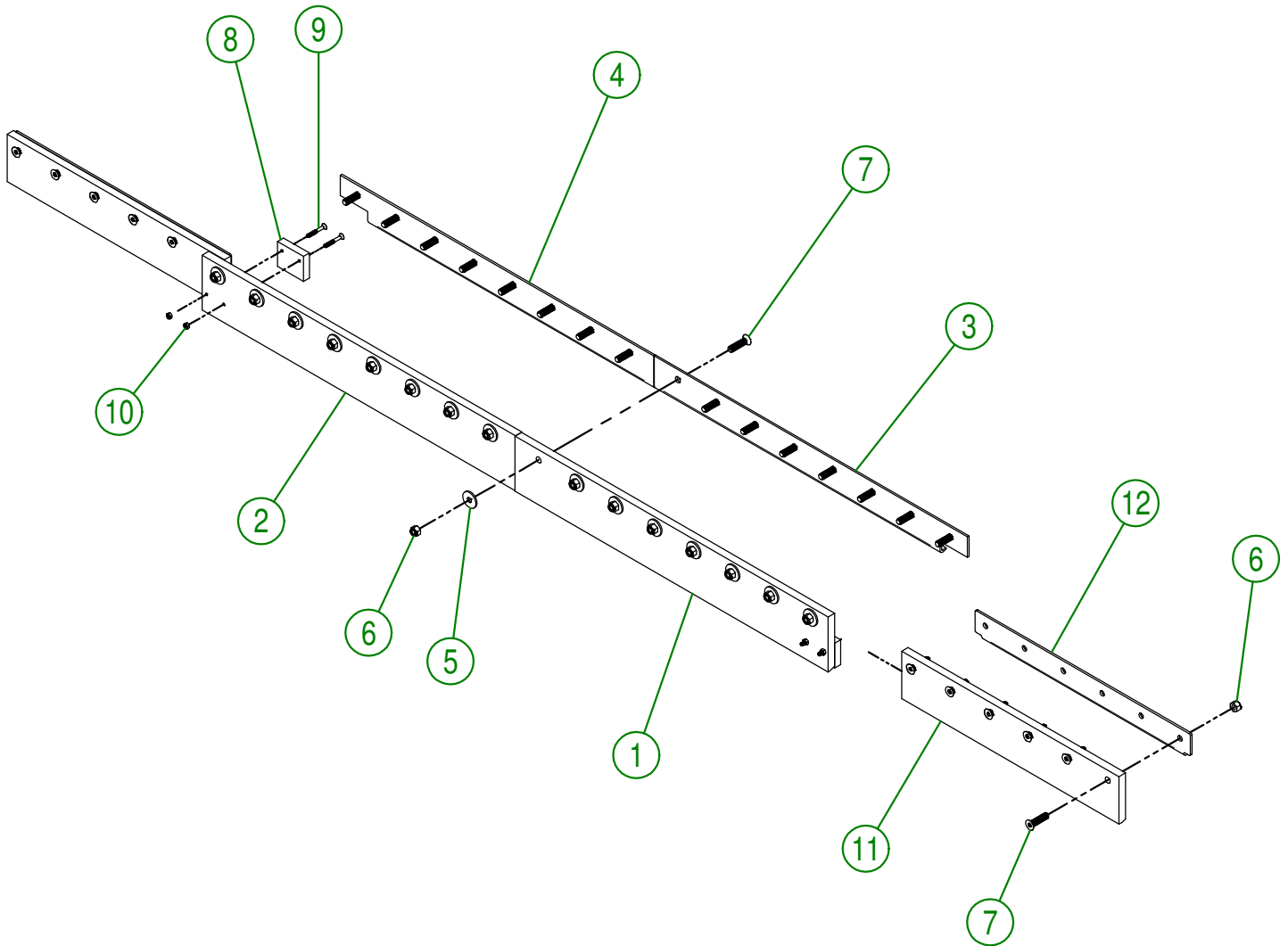
# AgriMetal

## PARTS LIST



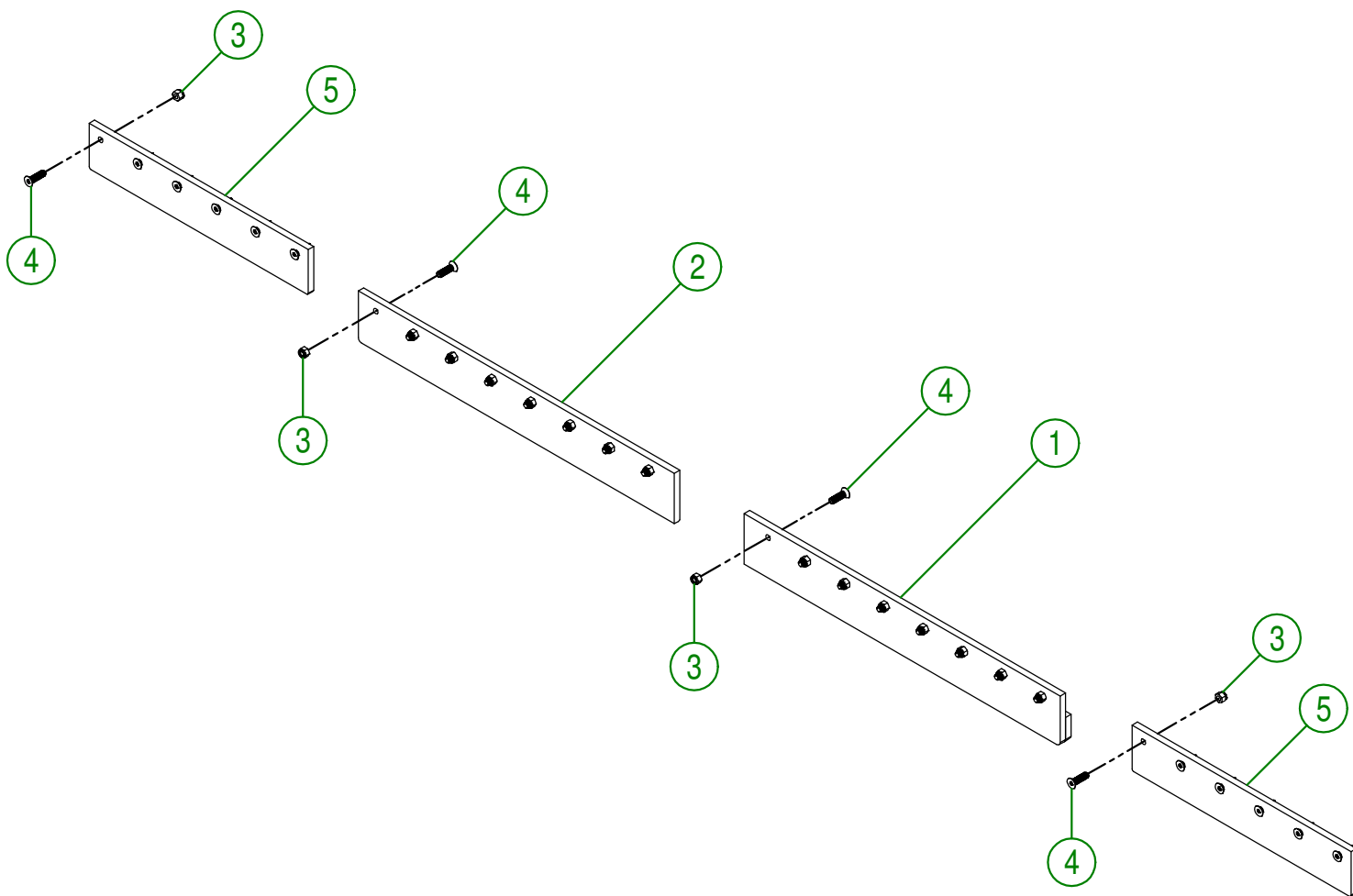
**MAX-PRO 6-10 (SKID-STEER)**

#	PART #	Qty	TITLE
1	92-42-0003	1	INSIDE RUBBER KNIFE (RIGHT)
2	92-42-0000	1	INSIDE RUBBER KNIFE (LEFT)
3	92-04-0021	1	KNIFE BRACE (RIGHT)
4	92-04-0024	1	KNIFE BRACE (LEFT)
5	91-20-0150	16	WASHER
6	NC01-96-0014	28	NYLON INSERT LOCKNUT 1/2-13"
7	NC02-48-0548	28	FLAT HEAD SOCKET CAP SCREW STAINLESS 1/2-13 X 2"
8	92-42-0121	2	SNOW GUARD
9	NC02-48-0582	4	FLAT HEAD SOCKET CAP SCREW STAINLESS 1/4-20 X 2"
10	NC01-96-0009	4	NYLON-INSERT LOCKNUT ZINC 1/4-20
11	92-42-0005	2	OUTSIDE RUBBER KNIFE
12	92-04-0016	2	KNIFE BRACE (OUTSIDE)



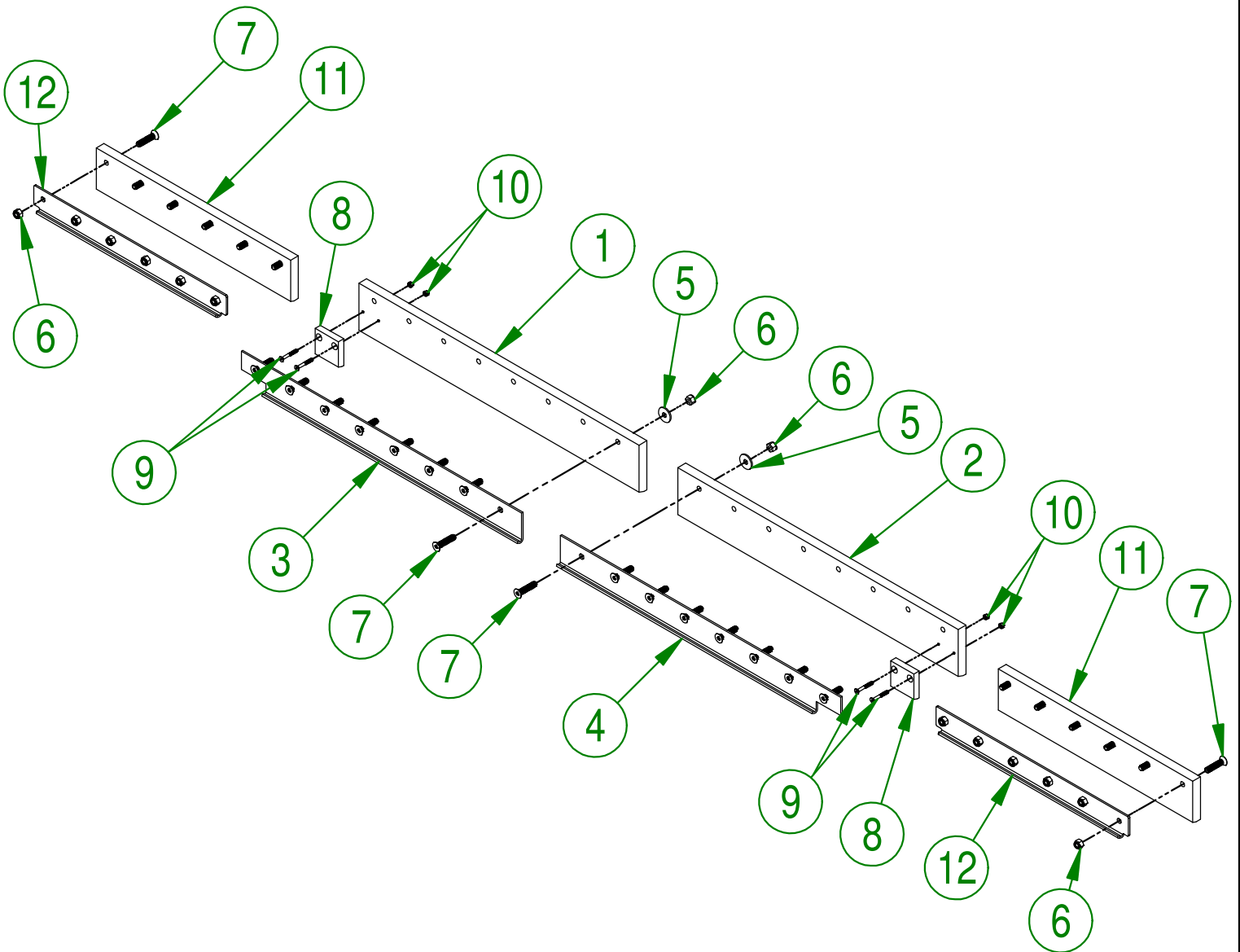
<b>AGRIMETAL</b>	
<b>RUBBER KNIFE GROUP</b>	
CREATION : 09/05/17	ASSEMBLY : <b>92-57-0195</b>
REVISION : 07/08/18	AUTHOR : J. Houle      Page 1 de 8

#	PART #	Qty	TITLE
1	92-50-0051	1	RIGHT CENTER KNIFE
2	92-50-0056	1	LEFT CENTER KNIFE
3	NC01-96-0014	28	NYLON INSERT LOCKNUT 1/2-13"
4	NC02-48-0547	28	FLAT HEAD SOCKET CAP SCREW STAINLESS 1/2-13 X 1 3/4
5	92-20-0378	2	KNIFE



<b>AGRIMETAL</b>	
<b>QT KNIFE GROUP</b>	
CREATION : 10/08/16	ASSEMBLY : 92-57-0200
REVISION : 29/12/17	AUTHOR : Production Page 2 de 8

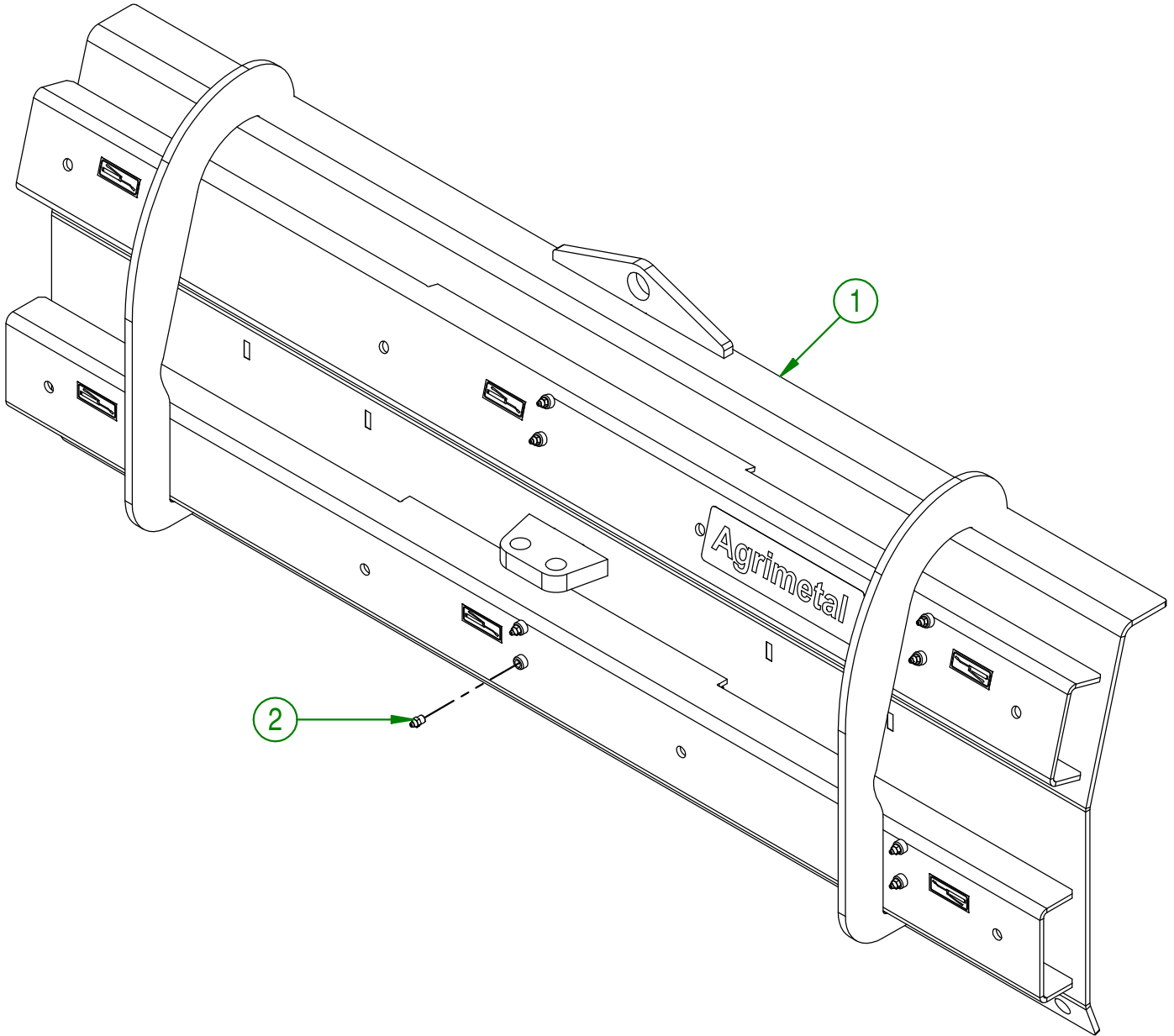
#	PART #	Qty	TITLE
1	92-42-0132	1	KNIFE (U.H.M.W)
2	92-42-0130	1	KNIFE (U.H.M.W)
3	92-04-0021	1	KNIFE BRACE (RIGHT)
4	92-04-0024	1	KNIFE BRACE (LEFT)
5	91-20-0150	16	WASHER
6	NC01-96-0014	28	NYLON INSERT LOCKNUT 1/2-13"
7	NC02-48-0549	28	STAINLESS FLAT HEAD SOCKET CAP SCREW 1/2-13 X 2 1/4"
8	92-42-0120	2	SNOW GUARD
9	NC02-48-0582	4	FLAT HEAD SOCKET CAP SCREW STAINLESS 1/4-20 X 2"
10	NC01-96-0009	4	NYLON-INSERT LOCKNUT ZINC 1/4-20
11	92-42-0148	2	KNIFE (U.H.M.W)
12	92-04-0016	2	KNIFE BRACE (OUTSIDE)



<b>AGRIMETAL</b>	
<b>UHMW KNIFE GROUP</b>	
CREATION : 10/08/16	ASSEMBLY : 92-57-0205
REVISION : 15/11/18	AUTHOR : Production Page 3 de 8

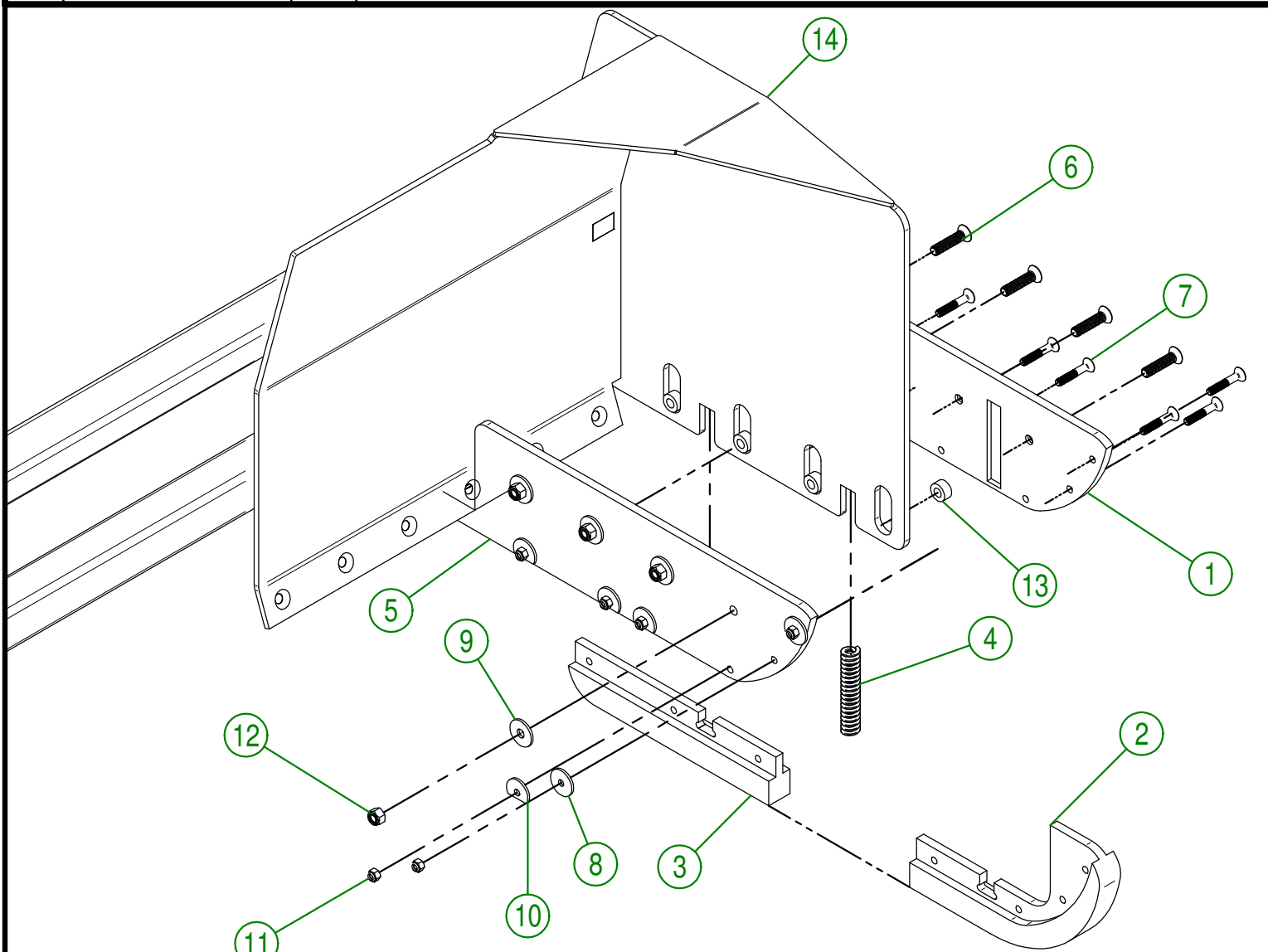
92-57-1040

#	PART #	Qty	TITLE
1	92-57-1260	1	CENTRAL BLADE 6-10 (SKID-STEER) GROUP. "STICKER INCLUDED"
2	NC01-69-0791	12	GREASE FITTING 1/8 NPT STRAIGHT



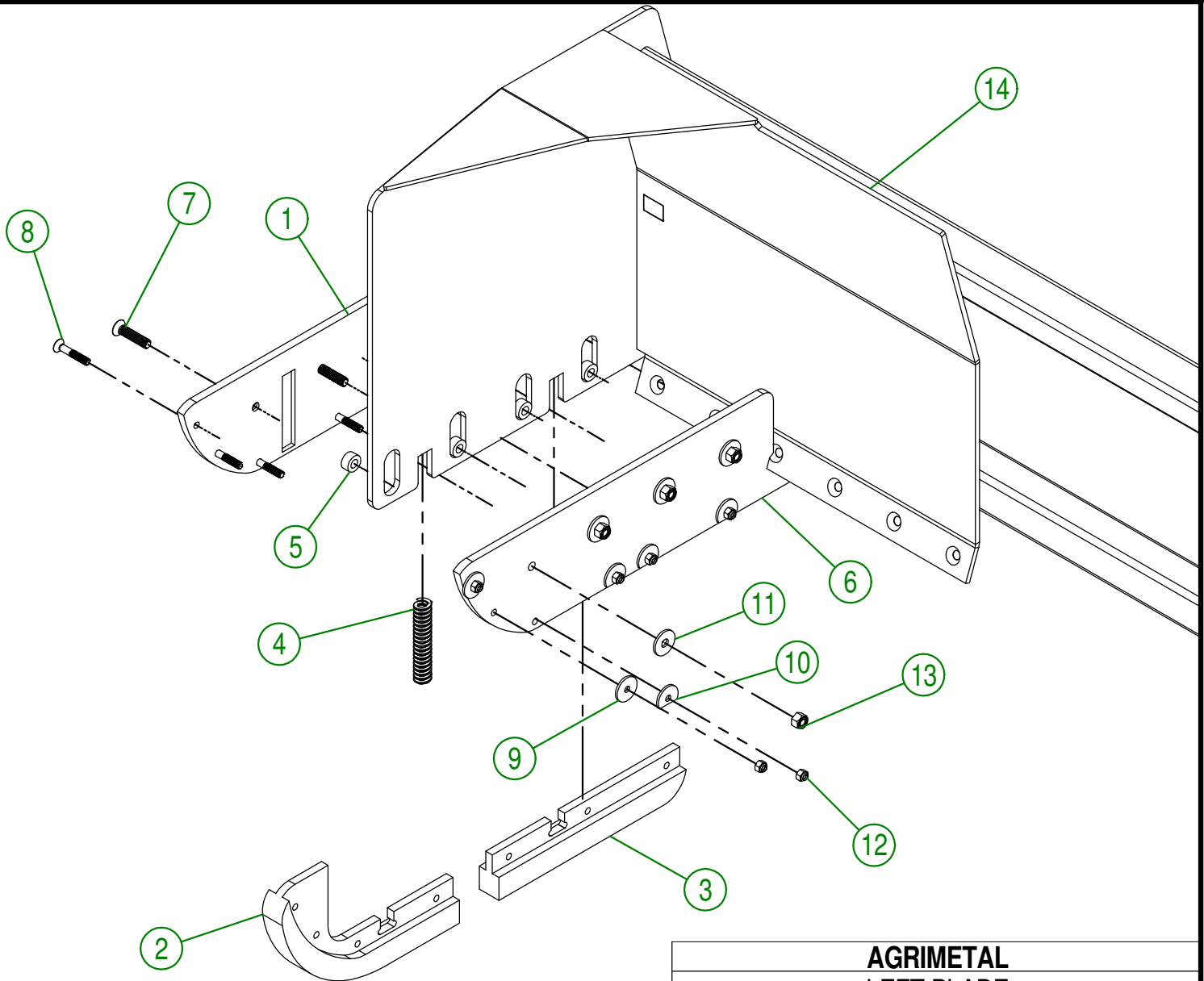
<b>AGRIMETAL</b>	
<b>BLADE 6-10 GROUP (SKID-STEER)</b>	
CREATION : 07/08/18	ASSEMBLY : <b>92-57-1040</b>
REVISION : 17/08/18	AUTHOR : J.KABWE
	Page 4 de 8

#	PART #	Qty	TITLE
1	91-42-0144	1	FLOATING SKATE (RIGHT OUTSIDE)
2	NC13-15-0325	1	FLOATING SKATE (MIDDLE FRONT)
3	NC13-15-0323	1	FLOATING SKATE (MIDDLE BACK)
4	NC13-86-0052	2	SPRING 1/2" ID X 1" OD X 5" LG
5	91-42-0142	1	FLOATING SKATE (RIGHT INSIDE)
6	NC02-48-0549	4	STAINLESS FLAT HEAD SOCKET CAP SCREW 1/2-13 X 2 1/4"
7	NC02-48-0537	7	STAINLESS FLAT HEAD SOCKET CAP SCREW 3/8-16 X 2 1/4"
8	91-20-0163	2	WASHER
9	91-20-0150	4	WASHER
10	91-20-0160	5	WASHER
11	NC01-96-0011	7	NYLON NUT 3/8-16
12	NC01-96-0014	4	NYLON INSERT LOCKNUT 1/2-13"
13	91-09-0000	4	BUSHING
14	92-57-0265	1	RIGHT BLADE



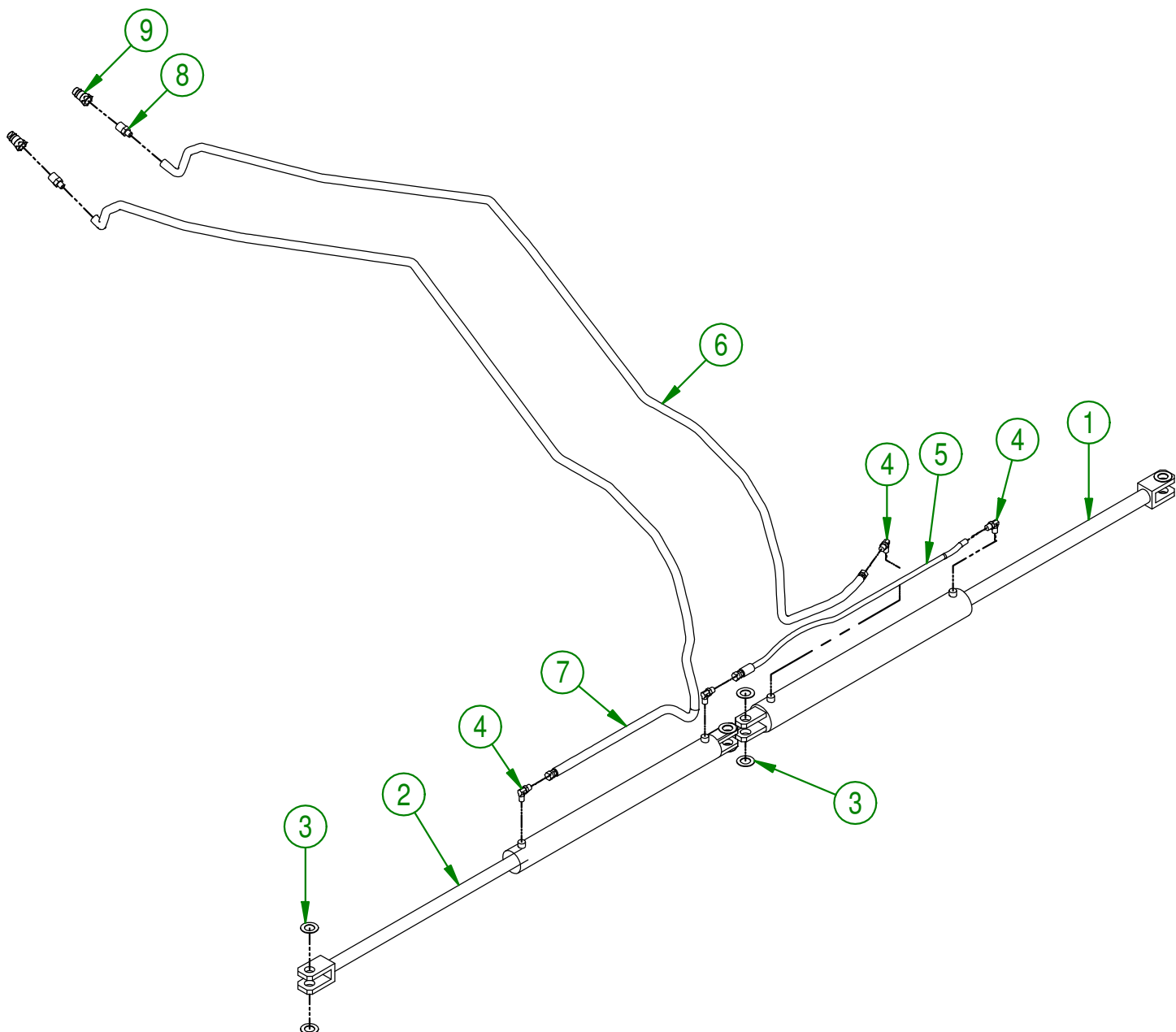
<b>AGRIMETAL</b>	
<b>RIGHT BLADE</b>	
CREATION : 10/08/16	ASSEMBLY : 92-57-0045
REVISION : 15/11/18	AUTHOR : JA. H
	Page 5 de 8

#	PART #	Qty	TITLE
1	91-42-0140	1	FLOATING SKATE (LEFT EXT.)
2	NC13-15-0325	1	FLOATING SKATE (MIDDLE FRONT)
3	NC13-15-0323	1	FLOATING SKATE (MIDDLE BACK)
4	NC13-86-0052	2	SPRING 1/2" ID X 1" OD X 5" LG
5	91-09-0000	4	BUSHING
6	91-42-0136	1	FLOATING SKATE (LEFT INT.)
7	NC02-48-0549	4	STAINLESS FLAT HEAD SOCKET CAP SCREW 1/2-13 X 2 1/4"
8	NC02-48-0537	7	STAINLESS FLAT HEAD SOCKET CAP SCREW 3/8-16 X 2 1/4"
9	91-20-0163	2	WASHER
10	91-20-0160	5	WASHER
11	91-20-0150	4	WASHER
12	NC01-96-0011	7	NYLON NUT 3/8-16
13	NC01-96-0014	4	NYLON INSERT LOCKNUT 1/2-13"
14	92-57-0270	1	LEFT BLADE



<b>AGRIMETAL</b>	
<b>LEFT BLADE</b>	
CREATION : 10/08/16	ASSEMBLY : 92-57-0050
REVISION : 15/11/18	AUTHOR : JA. H   Page 6 de 8

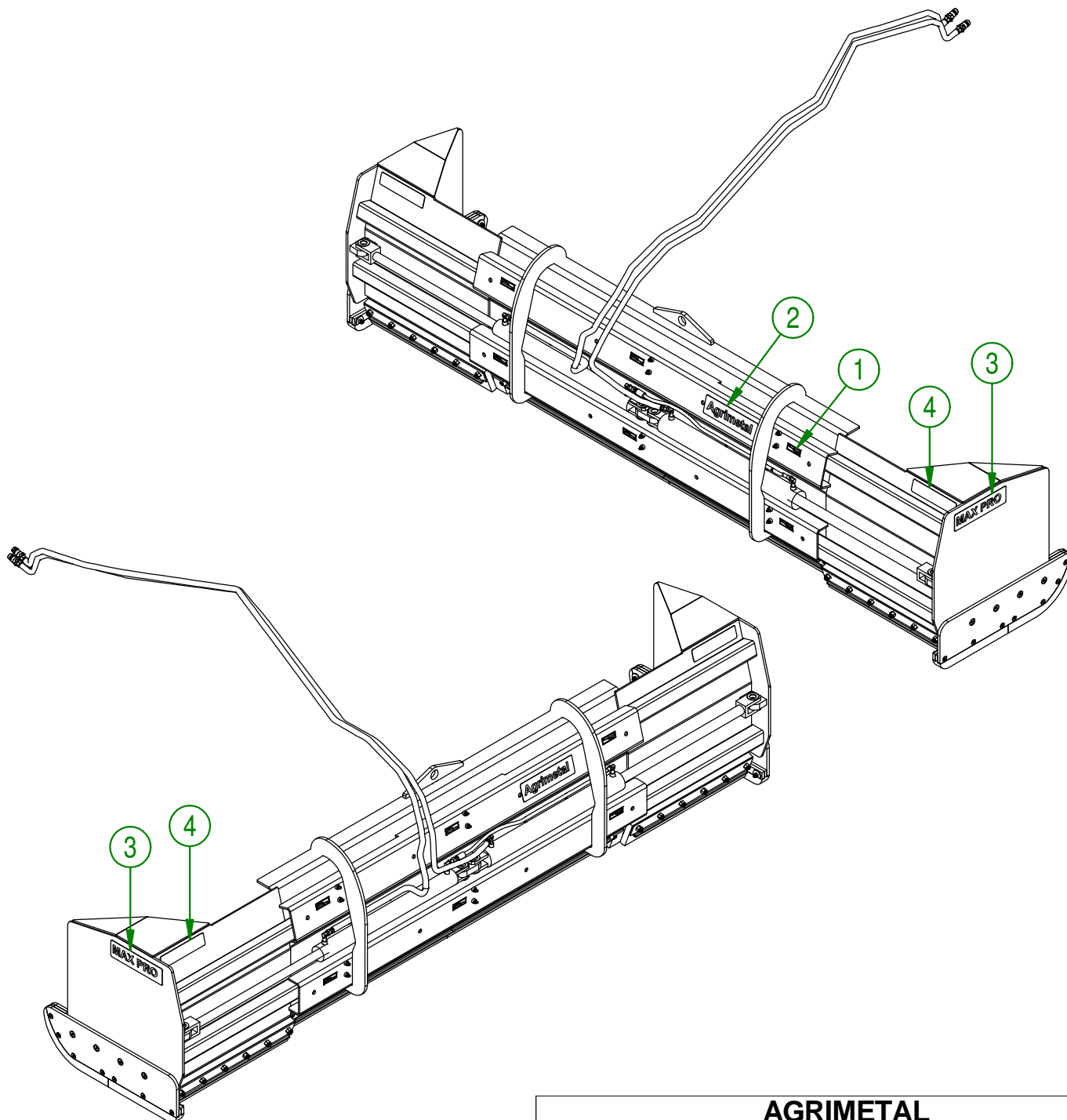
#	PART #	Qty	TITLE
1	NCI3-45-0237	1	HYDRAULIC CYLINDER 2 1/2" X 24" STROKE
2	NCI3-45-0238	1	HYDRAULIC CYLINDER 2" X 24" STROKE
3	91-22-2200	8	FLAT WASHER HYDRAULIC CYLINDER
4	NCI3-45-0254	4	90 DEG ELBOW 9/16"-18 MALE SAE6 O RING X 3/8" MALE JIC
5	NCI7-02-0353	1	HYDRAULIC HOSE 3/8 X 34" 3/8 JIC 37 FEM. X 3/8 JIC 37 FEM.
6	NCI7-02-0404	1	HYDRAULIC HOSE 102"
7	NCI7-02-0403	1	HYDRAULIC HOSE 96"
8	NCI3-45-0247	2	STRAIGHT FITTING 1/2" MALE NPT X 3/8" MALE JIC
9	NCI3-45-0014	2	QUICK COUPLER 1/2-14 NPTF



<b>AGRIMETAL</b>	
<b>HYDRAULIC GROUP</b>	
CREATION : 07/08/18	ASSEMBLY : <b>92-57-0425</b>
REVISION : 07/08/18	AUTHOR : J.KABWE   Page 7 de 8



#	PART #	Qty	TITLE
1	NCI3-33-0024	6	STICKER GREASE HERE
2	NCI3-33-0035	1	STICKER AGRIMETAL
3	NCI3-33-0265	2	STICKER MAX PRO
4	28-60-0050	2	STICKER SCOTCHLITE



<b>AGRIMETAL</b>	
<b>MAX-PRO 6-10 (SKID-STEER)</b>	
CREATION : 07/08/18	ASSEMBLY : <b>92-99-2000</b>
REVISION : 17/08/18	AUTHOR : J.KABWE Page 8 de 8