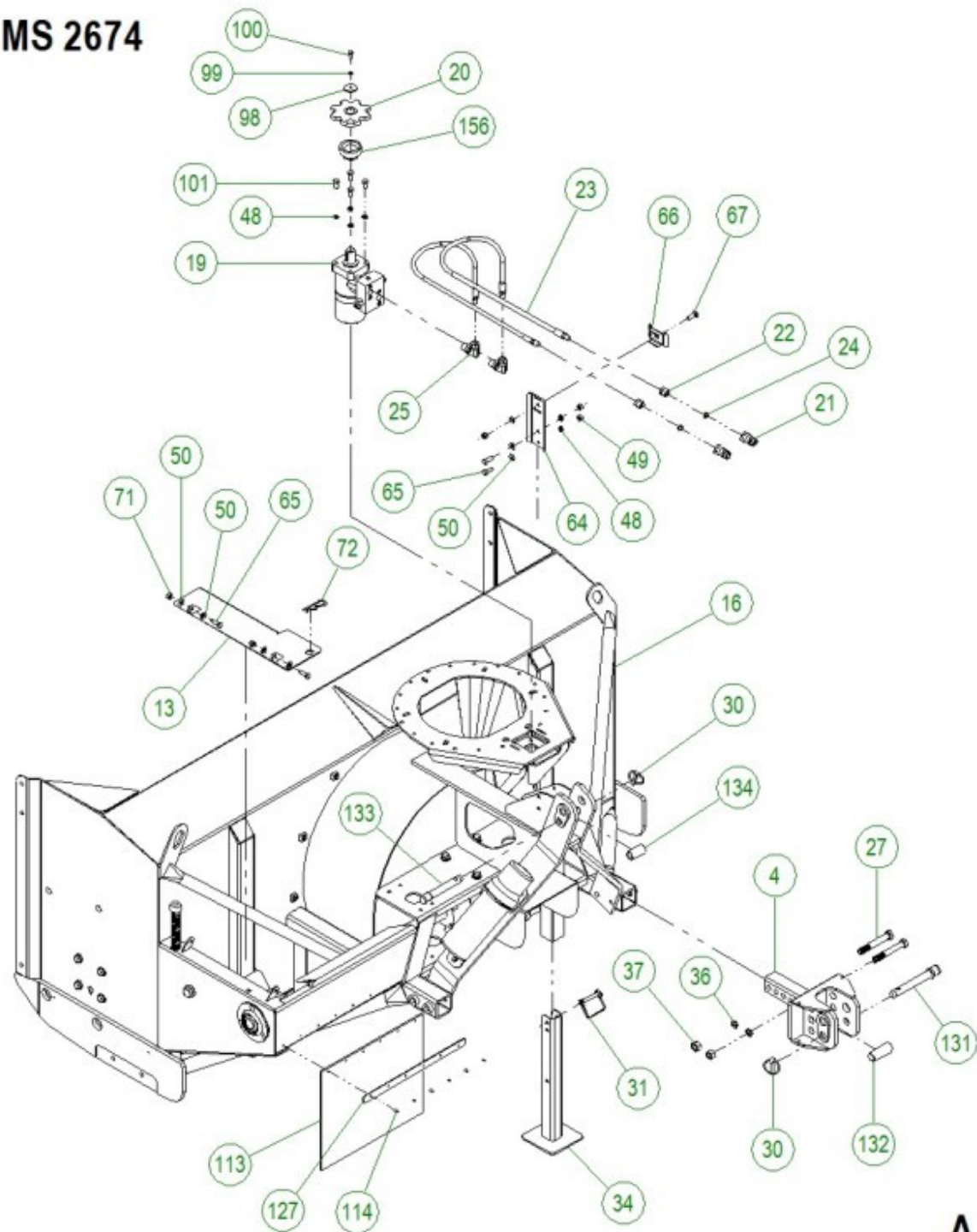
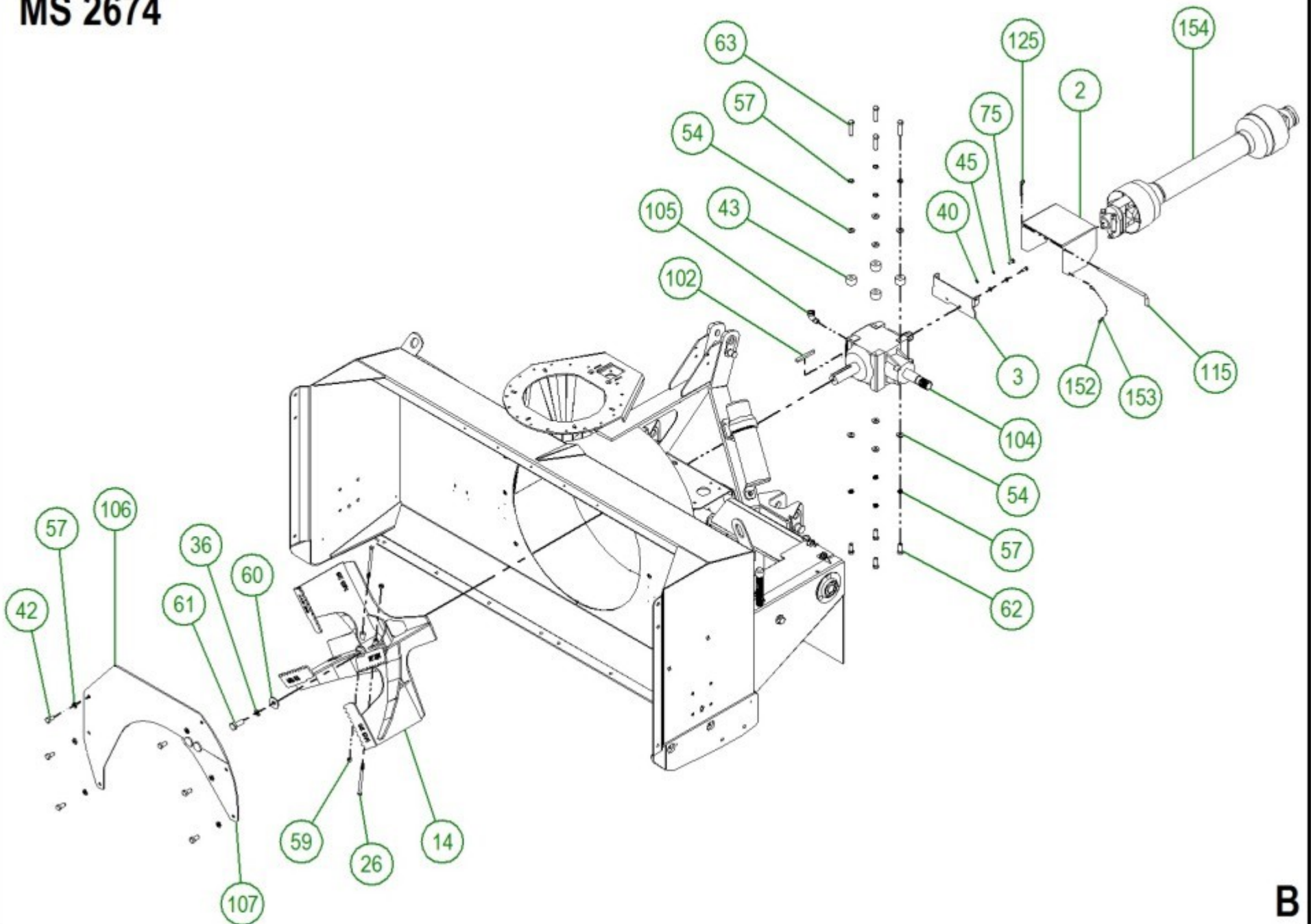


# MS 2674



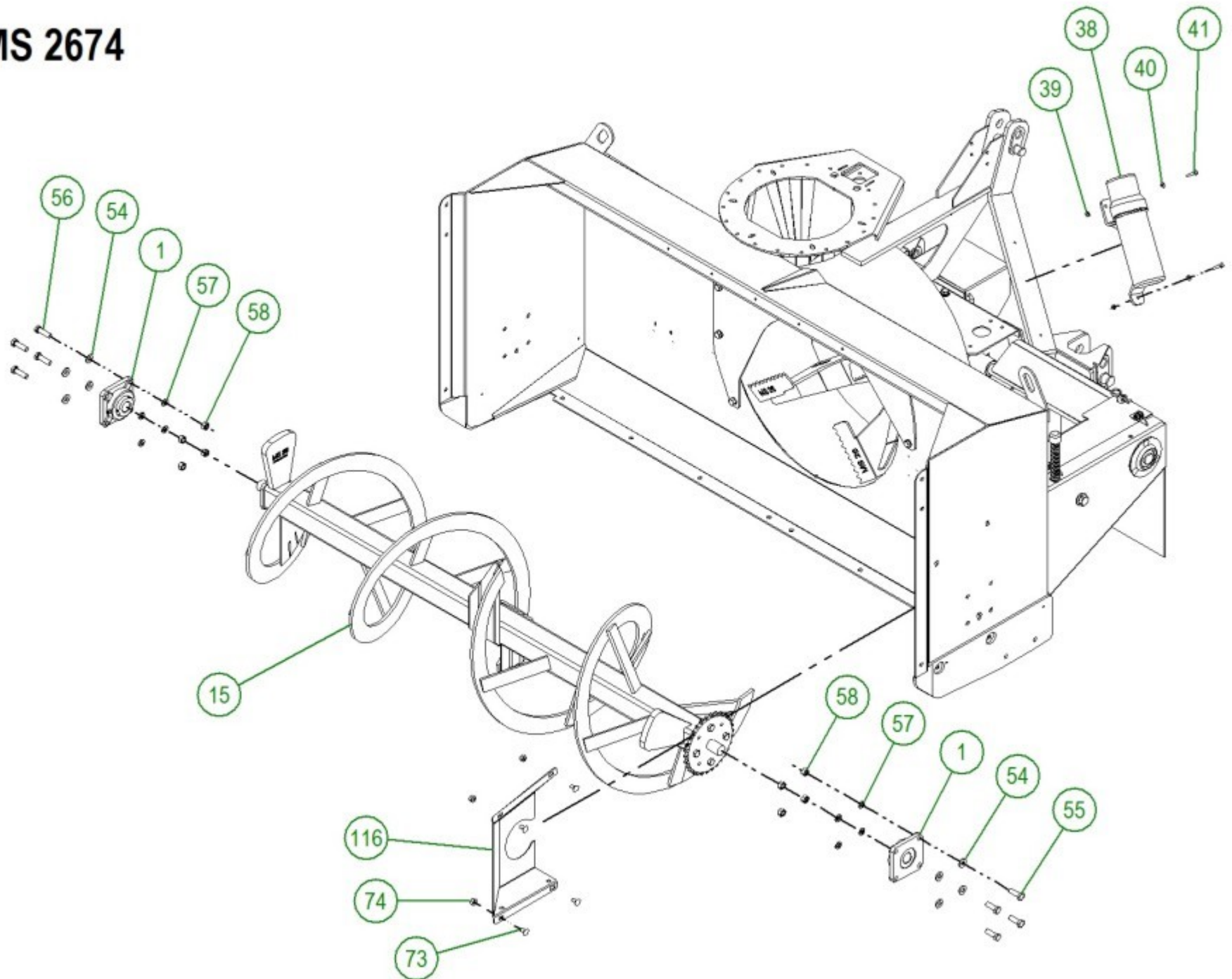
A

# MS 2674

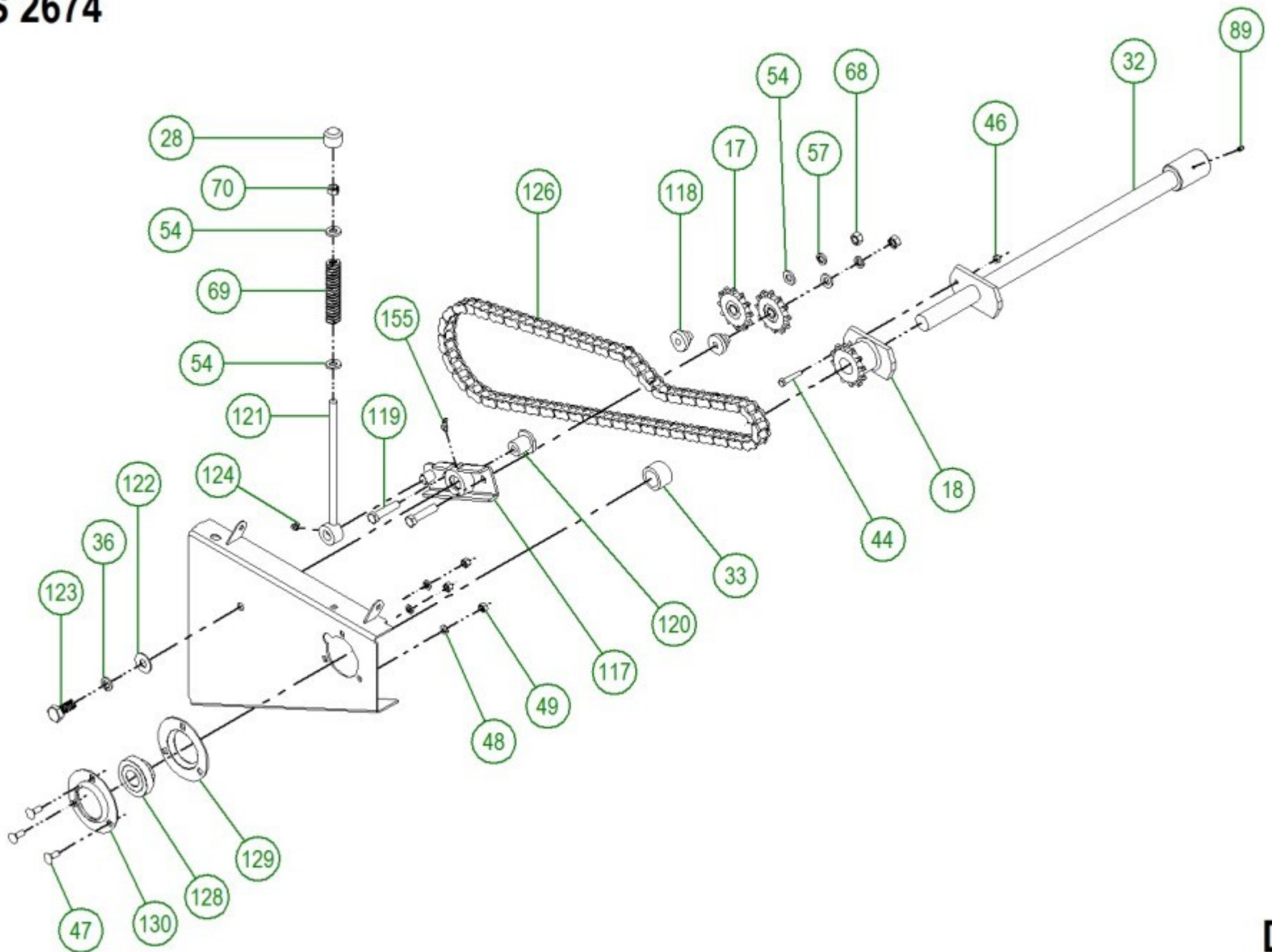


**B**

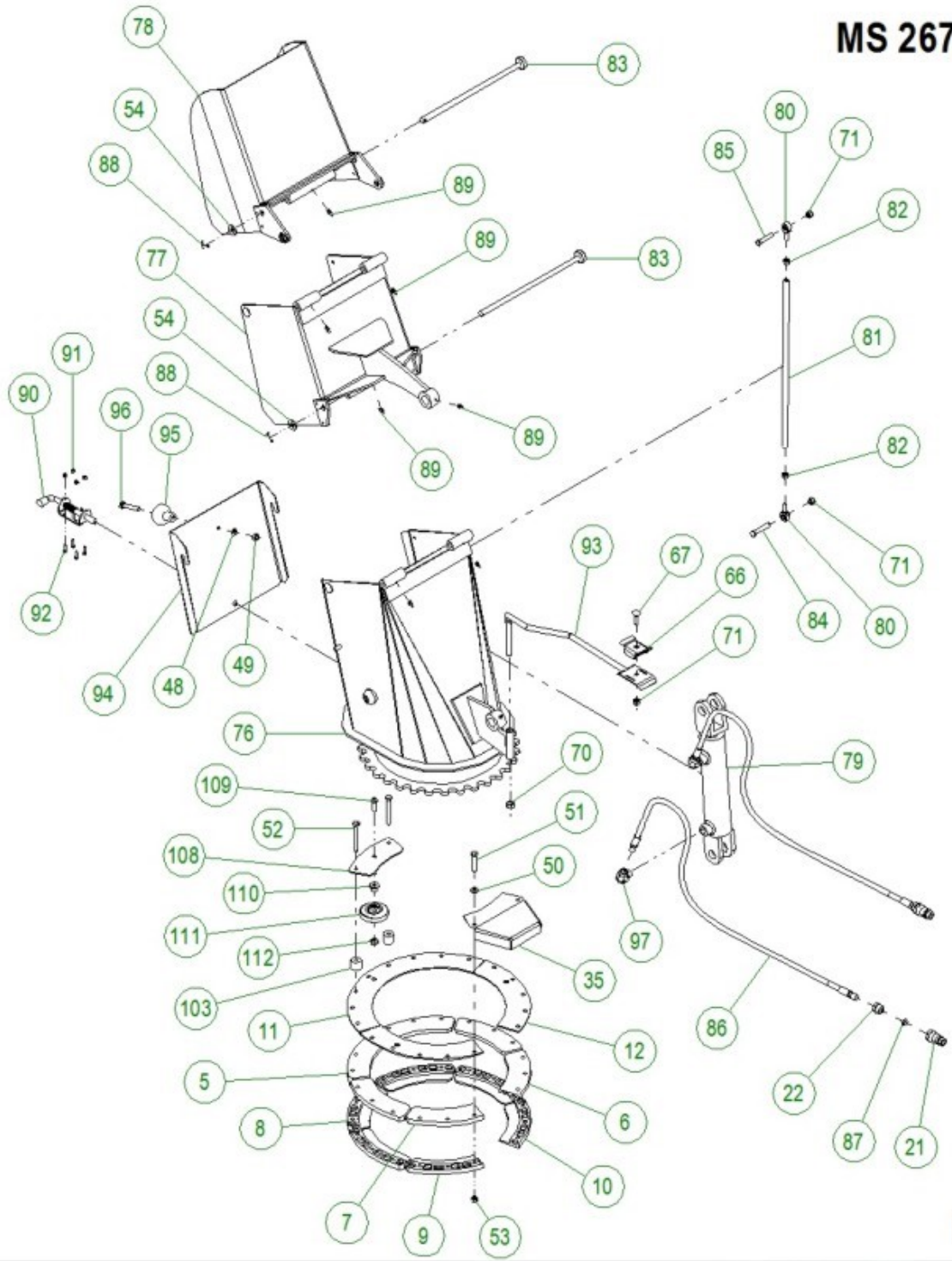
# MS 2674



# MS 2674



MS 2674

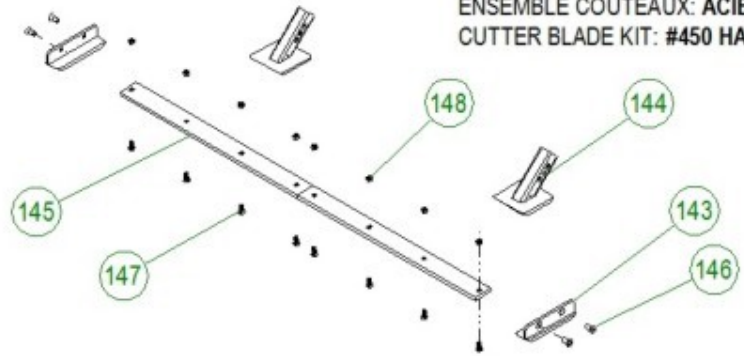


E

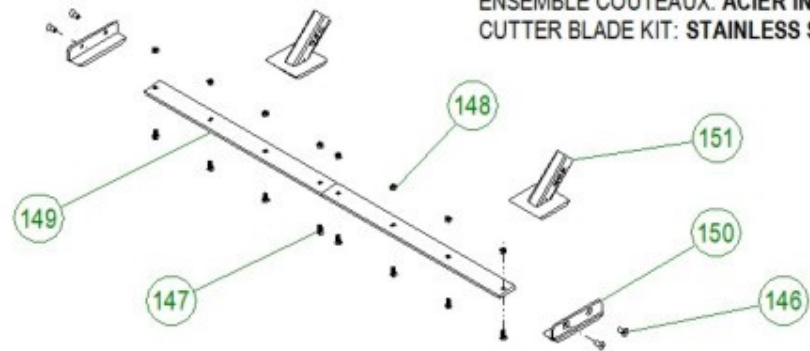
# MS 2674



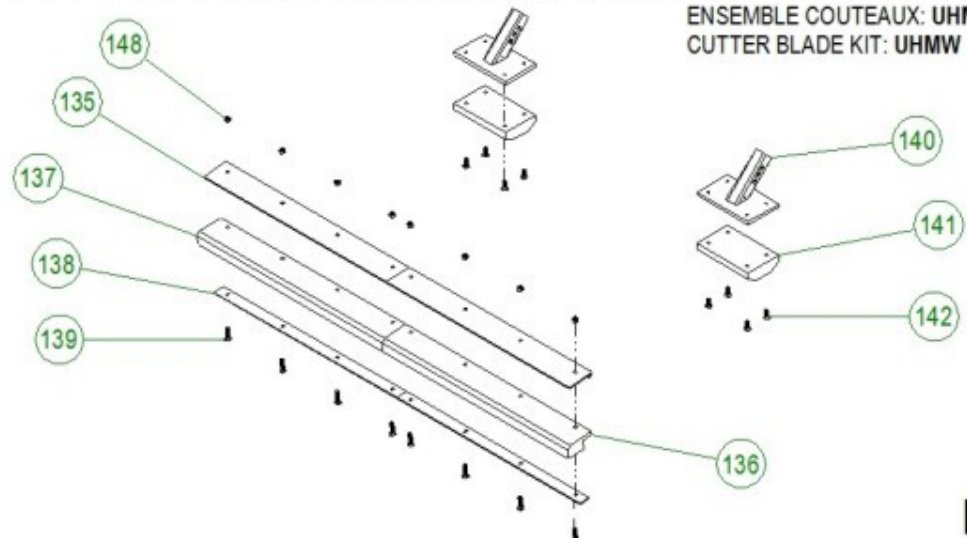
ENSEMBLE COUTEAUX: ACIER 450  
CUTTER BLADE KIT: #450 HARDNESS STEEL



ENSEMBLE COUTEAUX: ACIER INOXYDABLE  
CUTTER BLADE KIT: STAINLESS STEEL



ENSEMBLE COUTEAUX: UHMW  
CUTTER BLADE KIT: UHMW



F

## FRAME (MS-2674)

REF.	PART NO.	DESCRIPTION	QTE
1	NC14-75-0160	FLANGE BEARING	2
2	80-57-0040	PTO GUARD (MS 26 & 26-D)	1
3	80-01-7525	PTO GUARD SUPPORT (MS 26 & 26-D)	1
4	46-50-0100	3-POINTS HITCH	2
5	NC17-46-0028	CROWN CHUTE GUIDE	4
6	80-42-0320	CHUTE GUIDE	1
7	80-42-0315	CHUTE GUIDE	1
8	NC17-46-0027	CROWN CHUTE GUIDE	4
9	80-42-0305	CHUTE GUIDE	1
10	80-42-0310	CHUTE GUIDE	1
11	80-01-1015	BRACE	1
12	80-01-1010	BRACE	2
13	80-57-0036	CHAIN GUARD (MS 26)	1
14	80-50-0050	IMPELLER (MS 26)	1
15	80-50-0080	SPIRAL (MS 2674)	1
N/I	80-36-0500	SPROCKET	1
16	80-57-0000	FRAME(MS 2674)	1
17	NC14-55-0295	SPROCKET	2
18	NC14-55-0293	SPROCKET	1
19	NC14-45-0147	HYDRAULIC MOTOR	1
20	48-50-1025	HYDRAULIC MOTOR SPROCKET	1
21	NC13-45-0014	QUICK DISCON.COUPLER 1/2"-14 NPTF	4
22	NC13-45-0153	HEX.REDUCER 1/4 FEM. NPT X 1/2 MÂLE NPT	4
23	NC17-02-0328	HYDRAULIC HOSE (63" LG)	2
24	32-21-0010	HYDRAULIC RESTRICTOR	2
25	NC13-45-0072	90° 7/8"-14 MALE SAE O RING X 3/8" FEM.TOUR.NPT	2
26	NC01-37-0132	HEX. BOLT NF ZINC 3/8"-24 X 5 1/2" (GRADE 8)	2
27	NC01-33-0406	HEX.BOLT 5/8"-11 X 4 1/2" LG (GRADE 8)	4
28	80-42-0110	CAP	1
29	49-20-0210	PIN	2
30	NC01-69-1100	LINCHPIN 3/8" Dia.	3
31	NC01-69-1306	LOCK PIN 3/8" Dia. X 2 1/2" LG	1
32	80-50-0065	DRIVE SHAFT (MS 2674 & MS 2474-D)	1
33	80-24-0000	BUSHING	1
34	80-50-0093	STAND	1
35	80-01-3000	GEAR GUARD	1
36	NC02-32-0016	LOCK WASHER Ø 5/8"	6
37	NC02-07-0022	HEX. NUT 5/8"-11	4
38	NC13-30-0237	CAPSULE WITH END CAP	1
39	NC01-96-0009	NYLON INSERT LOCKNUTS 1/4"-20	2
40	NC02-22-0008	FLAT WASHER Ø 5/16"	4
41	NC01-17-0007	HEX. BOLT GR2 NC ZINC 1/4"-20 X 1 1/4"	2
42	NC01-25-0247	HEX.BOLT 1/2"-13 X 1" LG (GRADE 5)	6
43	80-21-0010	BUSHING	4
44	NC01-17-0063	HEX.BOLT 5/16"-18 X 1 3/4" LG (GR2)	7
45	NC02-32-0011	LOCK WASHER Ø 5/16"	2
46	NC01-93-0010	STOP NUT 5/16"-18	7
47	NC01-04-0109	CARR.BOLT 3/8"-16 X 1" LG (GRADE 2)	3
48	NC02-32-0012	LOCK WASHER Ø 3/8"	11
49	NC02-07-0018	HEX.NUT 3/8"-16	7
50	01-01-2485	FLAT WASHER 13/16" Dia. X Ø 25/64" X 14GA	15
51	NC01-17-0118	HEX.BOLT 3/8"-16 X 2" LG (GRADE 2)	9
52	NC01-17-0122	HEX.BOLT 3/8"-16 X 3" LONG (GRADE 2)	6
53	NC01-93-0011	STOP NUT 3/8"-16	15
54	NC02-25-0011	FLAT WASHER Ø 17/32"	22
55	NC01-17-0249	HEX.BOLT 1/2"-13 X 1 1/2" (GRADE 2)	4

## FRAME (MS-2674)

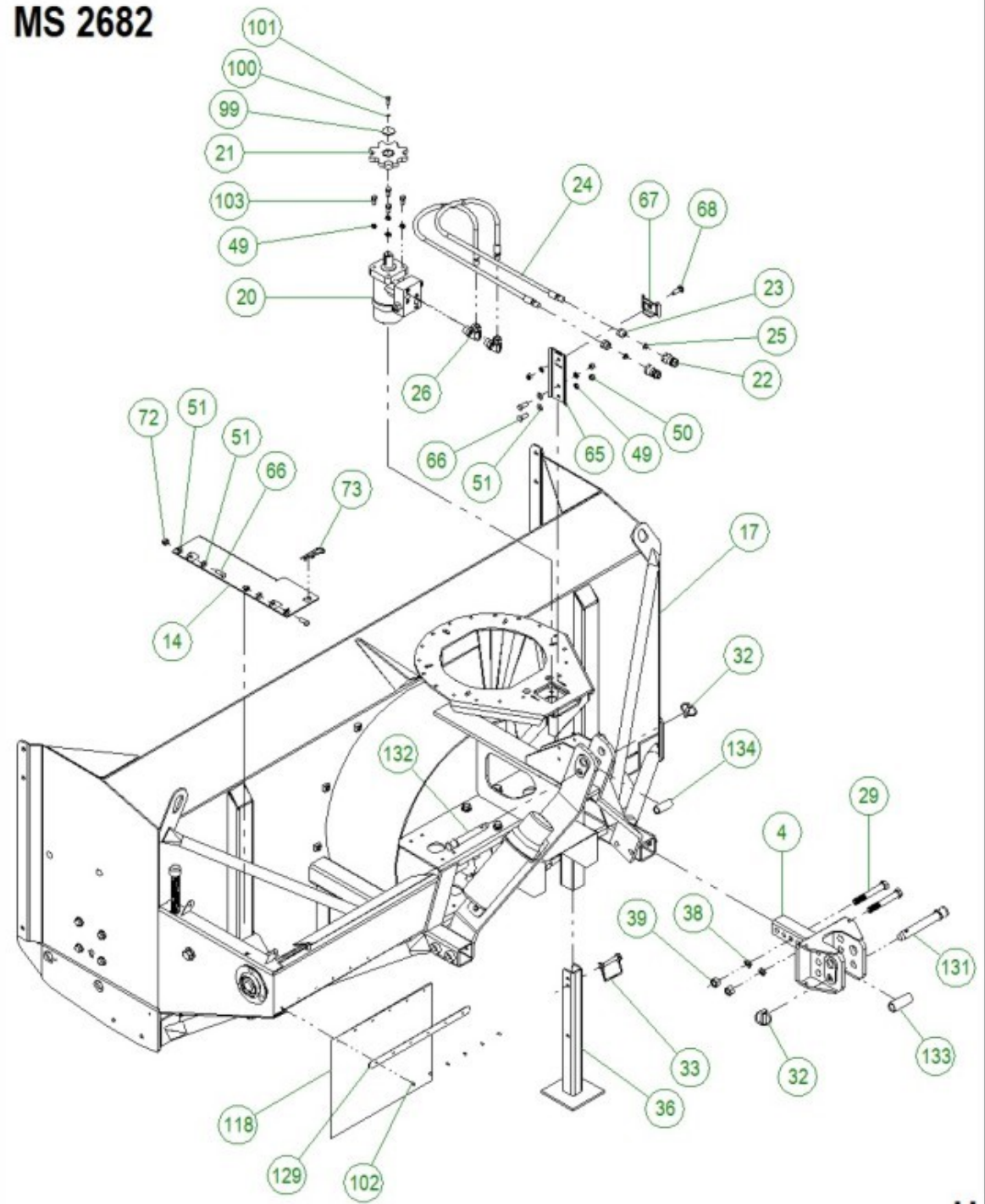
REF.	PART NO.	DESCRIPTION	QTE
56	NC01-17-0250	HEX. BOLT GR2 NC ZINC 1/2"-13 X 1 3/4"	4
57	NC02-32-0014	LOCK WASHER Ø 1/2"	24
58	NC02-07-0020	HEX.NUT 1/2"-13	8
59	NC01-94-0011	LOCKNUTS 3/8"-24	2
60	80-04-0185	WASHER	1
61	NC01-17-0395	HEX. BOLT NC ZINC 5/8-11" X 1 3/4" (GRADE 2)	1
62	NC01-17-0248	HEX.BOLT 1/2"-13 X 1 1/4" LG (GRADE 2)	4
63	NC01-17-0251	HEX.BOLT 1/2"-13 X 2" (GRADE 2)	4
64	80-01-7590	SUPPORT	1
65	NC01-17-0114	HEX.BOLT 3/8"-16 X 1" LG (GRADE2)	4
66	48-01-7530	HYDRAULIC HOSE SUPPORT	2
67	NC01-04-0110	CARRIAGE BOLT 3/8"-16 X 1 1/4" LG (GRADE 2)	2
68	NC02-10-0020	HEX.NUT 1/2"-20	2
69	NC13-86-0052	SPRING	1
70	NC01-96-0014	NYLON INSERT LOCKNUTS 1/2"-13	2
71	NC01-96-0011	NYLON INSERT LOCKNUTS 3/8"-16	7
72	NC01-63-0026	HITCH PIN CLIPS 5/32" X 3" LG	3
73	NC01-04-0107	CARR.BOLT 3/8"-16 X 3/4" LG (GRADE 2)	4
74	NC02-14-0019	FLANGE HEX. LOCKNUTS 3/8"-16 (GRADE B)	4
75	NC01-45-0184	METRIC BOLT 8MM X 20MM (GRADE 8.8)	2
76	80-57-0301	BEFORE 05/2016 CHUTE (BOTTOM SECTION) (MS 26)	1
N/I	80-57-0303	AFTER 05/2016 CHUTE (BOTTOM SECTION) (MS 26)	1
77	80-57-0311	BEFORE 05/2016 CHUTE (MIDDLE SECTION) (MS 26)	1
N/I	80-57-0312	AFTER 05/2016 CHUTE (MIDDLE SECTION) (MS 26)	1
78	80-57-0321	BEFORE 05/2016 CHUTE (TOP SECTION) (MS 26)	1
N/I	80-57-0322	AFTER 05/2016 CHUTE (TOP SECTION) (MS 26)	1
79	NC13-45-0209	HYDRAULIC CYLINDER	1
80	NC01-67-0304	END LINK 3/8"-24	4
81	48-13-0600	CHUTE ROD	2
82	NC02-10-0018	HEX.NUT 3/8"-24	4
83	80-50-0341	BEFORE 05/2016 PIVOT (MS 26)	2
N/I	80-20-0260	AFTER 05/2016 PIVOT (MS 26)	2
84	NC01-07-0113	CARR.BOLT 3/8"-16 X 2" LONG (GRADE 5)	2
85	NC01-25-0117	HEX. BOLT GR5 NC ZINC 3/8"-16 X 1 3/4"	2
86	NC17-02-0329	HYDRAULIC HOSE (87" LG)	2
87	32-21-0010	HYDRAULIC RESTRICTOR	2
88	NC01-69-0139	SPLIT PIN 1/8" X 3/4"	2
89	NC01-69-0785	GREASE FITTING 1/4"-28 (STRAIGHT)	9
90	NC13-80-0213	SPRING-LOCK	1
91	NC01-96-0006	NYLON INSERT LOCKNUTS 10-24	4
92	NC01-54-0110	BOLT 3/16 X 3/4 (STANLESS STEEL)	4
93	48-50-1030	HYDRAULIC HOSE SUPPORT	1
94	80-57-0361	BEFORE 05/2016 CHUTE DOOR (MS 26)	1
N/I	80-57-0353	AFTER 05/2016 CHUTE DOOR (MS 26)	1
95	NC17-46-0018	PLASTIC KNOB	1
96	NC01-17-0119	HEX.BOLT 3/8"-16 X 2 1/4" LG (GRADE 2)	1
97	NC13-45-0038	ELBOW 90° 3/8 FEM.NPT X 3/8 MALE NPT	2
98	39-01-1105	WASHER	1
99	NC02-32-0010	LOCK WASHER Ø 1/4"	1
100	NC01-33-0005	HEX.BOLT 1/4"-20 X 7/8" LG (GRADE 8)	1
101	NC01-17-0112	HEX.BOLT 3/8"-16 X 3/4" LG (GRADE 2)	4
102	80-41-0900	IMPELLER KEY	1
103	80-21-0007	BUSHING	6
104	80-55-0010	GEARBOX	1
105	NC13-65-0003	BRASS ELBOW 90° 3/8 FEM. NPT X 3/8 MALE NPT	1
106	80-50-0111	LEFT SNOW GUARD (MS 26)	1



## FRAME (MS-2674)

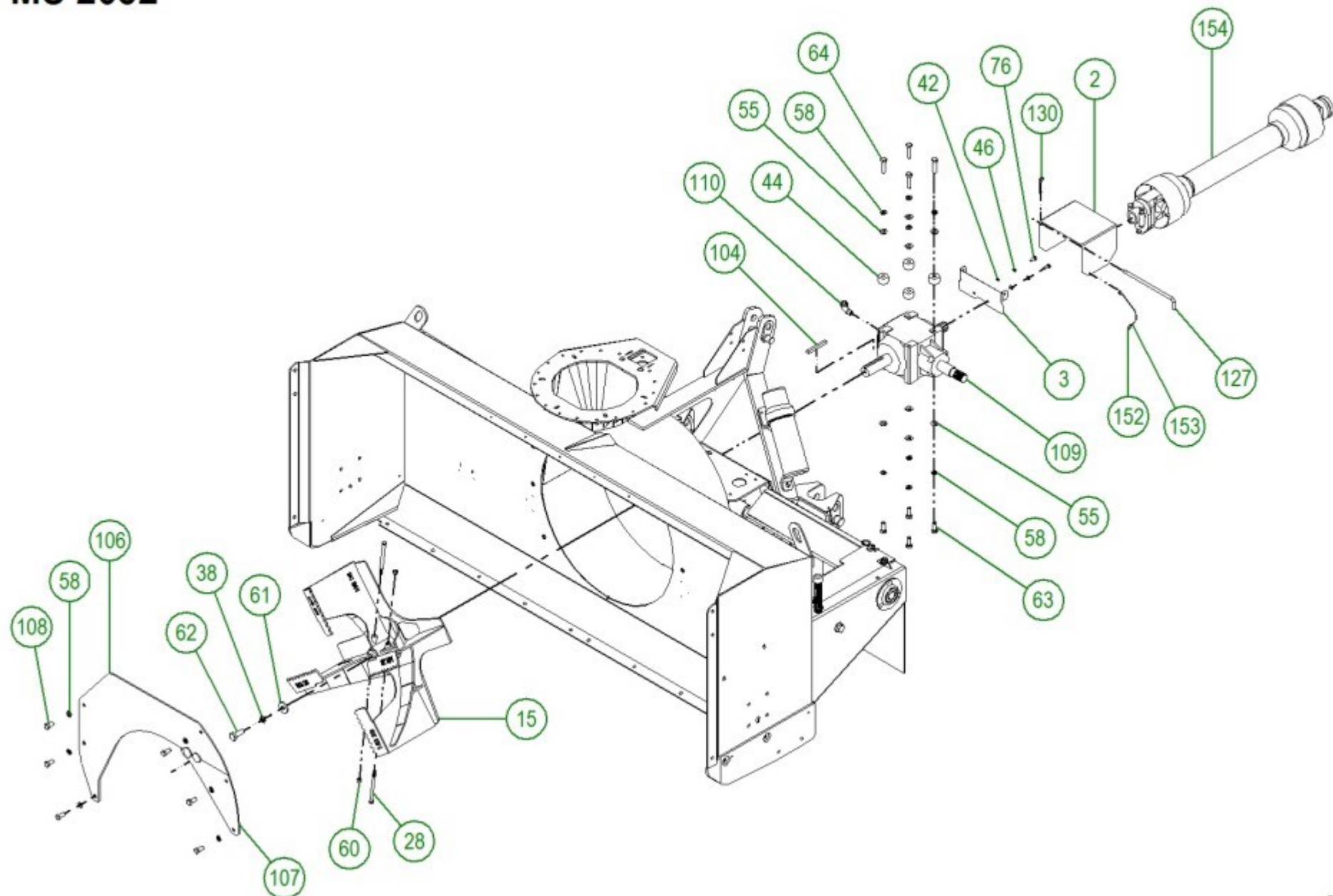
REF.	PART NO.	DESCRIPTION	QTE
107	80-50-0113	RIGHT SNOW GUARD (MS 26)	1
108	80-01-1040	CHUTE SUPPORT	3
109	NC02-45-0634	ALLEN SET SCREW M10 X 1.5 PITCH X 30MM (STAINLESS)	3
110	80-21-0005	BUSHING	3
111	NC17-46-0006	BLACK UHMW WHEEL	3
112	NC02-14-0727	HEX. THIN NUT M10 X 1.5 PITCH (STAINLESS)	3
113	NC13-15-0300	SNOW GUARD	1
114	NC01-78-0016	ALUMINIUM RIVET 3/16" X 5/8" LG	6
115	80-13-0400	PTO GUARD PIVOT	1
116	80-50-0070	CHAIN GUARD (MS 26)	1
117	80-50-0045	CHAIN TENSIONER	1
118	80-21-0020	CHAIN TENSIONER BUSHING (SPROCKET)	2
119	NC01-29-0252	HEX.BOLT 1/2"-20 X 2 1/4" (GRADE 5)	2
120	80-13-2400	CHAIN TENSIONER BUSHING	1
121	80-50-0040	CHAIN TENSIONER (THREADED ROD)	1
122	NC02-22-0013	FLAT WASHER 1 1/2" X Ø 5/8"	1
123	NC01-21-0394	HEX.BOLT 5/8"-18 X 1 1/2" (GRADE 2)	1
124	NC01-69-0787	GREASE FITTING 1/4"-28 X 90°	1
125	NC01-63-0015	HITCH PIN CLIPS 1/8" X 2 5/8" LG	1
126	80-37-1005	CHAIN #60 HD	1
127	80-01-1075	SNOW GUARD REINFORCEMENT	1
128	NC14-75-0162	BEARING	1
129	NC14-75-0094	GREASE FITTING WITH PRESSED STEEL FLANGE	1
130	NC14-75-0093	PRESSED STEEL FLANGE	1
131	48-20-0070	PIN (CAT. 1)	2
132	80-09-1300	BUSHING (CAT.2)	2
133	48-20-0075	PIN (CAT. 1)	1
134	82-09-1210	BUSHING (CAT.2)	1
135	80-50-0200	REINFORCING KNIFE (TOP)	2
136	80-42-0130	RIGHT KNIFE (UHMW)	1
137	80-42-0131	LEFT KNIFE (UHMW)	1
138	80-04-0333	REINFORCING KNIFE (UNDER)	2
139	NC02-48-0548	FLAT HEAD SOCKET CAP SREWS 1/2"-13 X 2" LG (STAINLESS STEEL)	8
140	80-50-0057	ADJUSTABLE SKATE FOR SOLE IN ( UHMW)	2
141	80-42-0125	SOLE (UHMW)	2
142	NC02-48-0545	FLAT HEAD SOCKET CAP SREWS 1/2"-13 X 1 1/4" LG (STAINLESS STEEL)	8
143	80-50-0085	LATERAL SKATE (#450 HARDNESS STEEL)	2
144	80-50-0055	AJUSTABLE SKATE (#450 HARDNESS STEEL)	2
145	80-20-0450	KNIFE (#450 HARDNESS STEEL)	2
146	NC02-48-0052	FLAT HEAD SOCKET CAP SCEW T.FRA 5/8-11" X 1 1/4"	4
147	NC01-09-0029	PLOW BOLT NC.Z 1/2-13" X 1 1/4 "(GRADE 5)	8
148	NC01-93-0014	STOP NUT 1/2"-13	8
149	80-20-0155	KNIFE (STANLESS STEEL)	2
150	80-50-0087	LATERAL SKATE (STANLESS STEEL)	2
151	80-50-0058	AJUSTABLE SKATE (STAINLESS STEEL)	2
152	80-41-0135	STEEL CABLE	1
153	NC01-64-0005	ALUMINUM OVAL SLEEVE	2
154	80-34-0030	PTO SHAFT T60 (540RPM)	1
155	NC01-69-0786	GREASE FITTING 1/4"-28 (45°)	1

# MS 2682

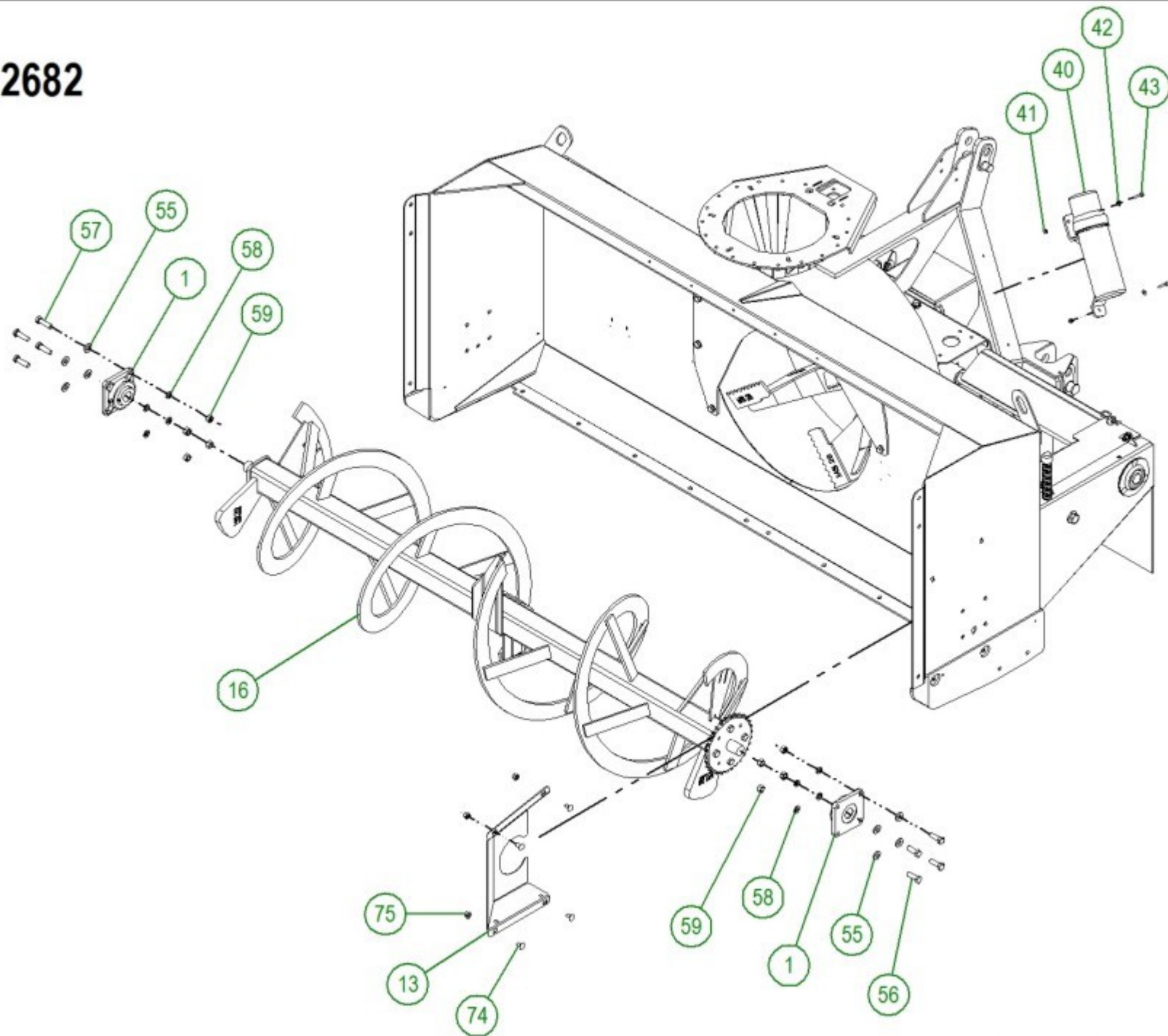


H

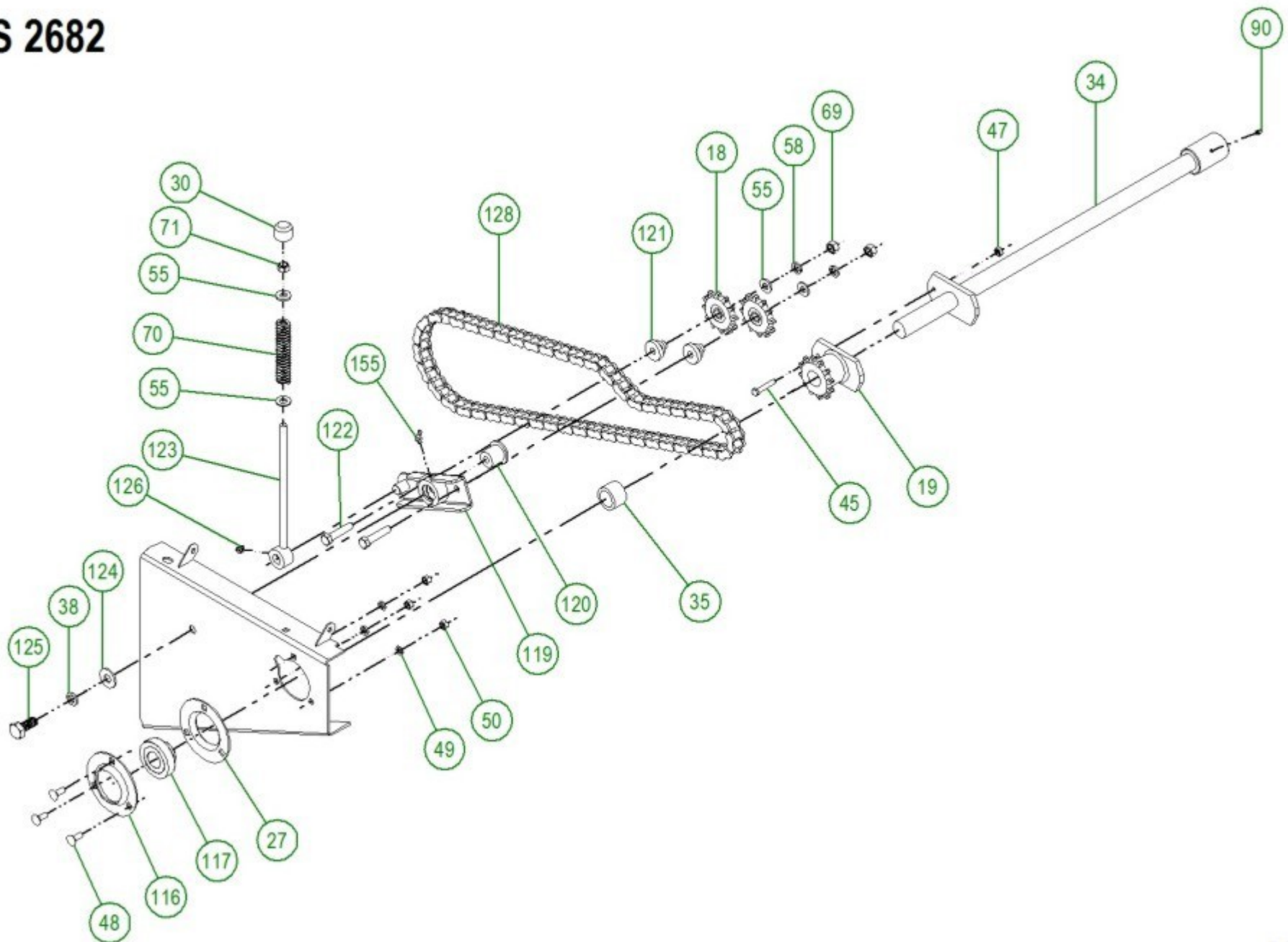
# MS 2682



# MS 2682

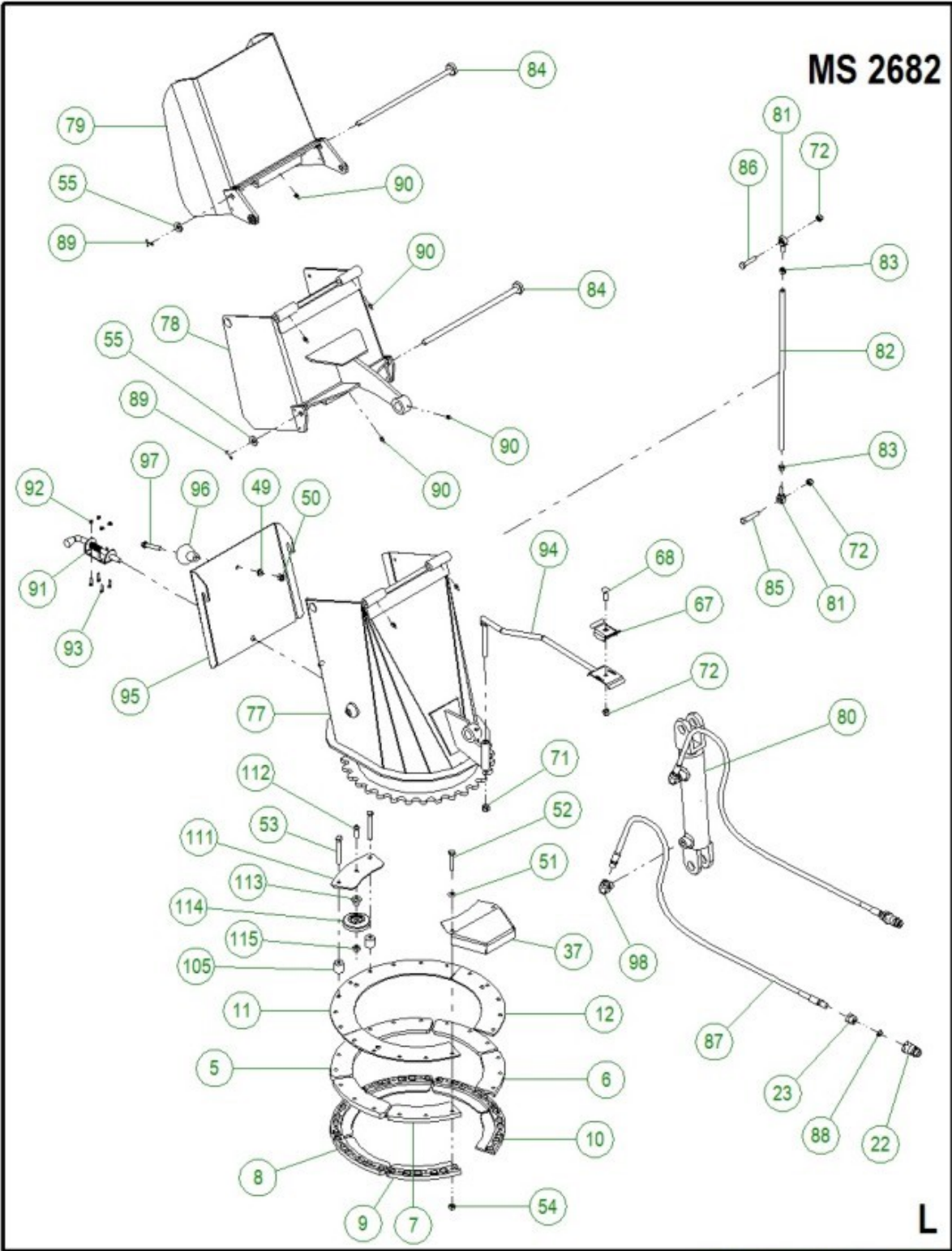


# MS 2682



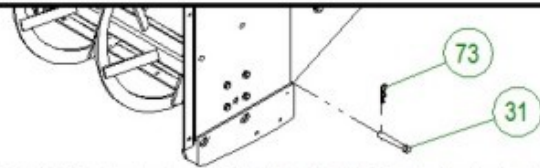
K

MS 2682

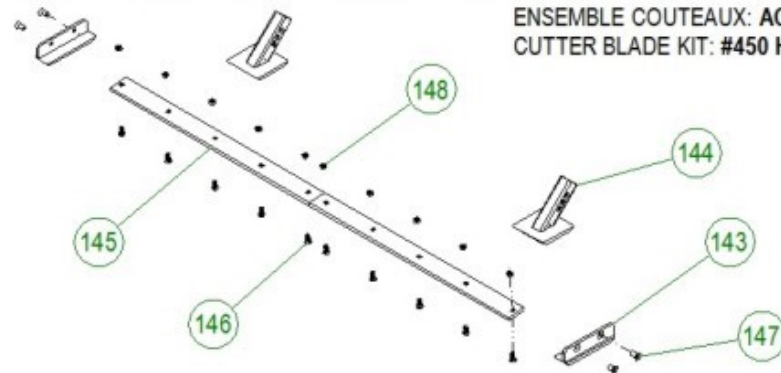


L

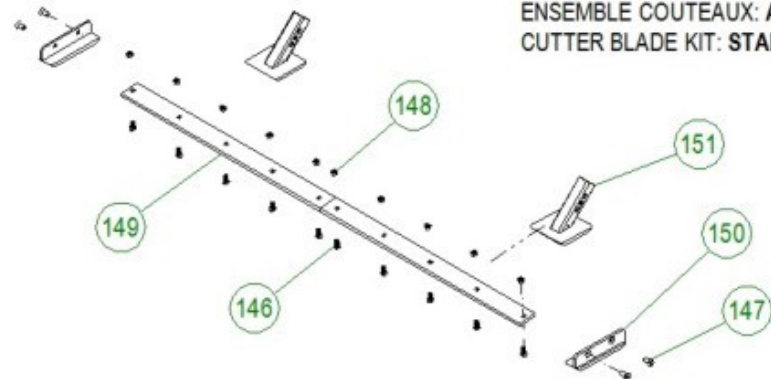
# MS 2682



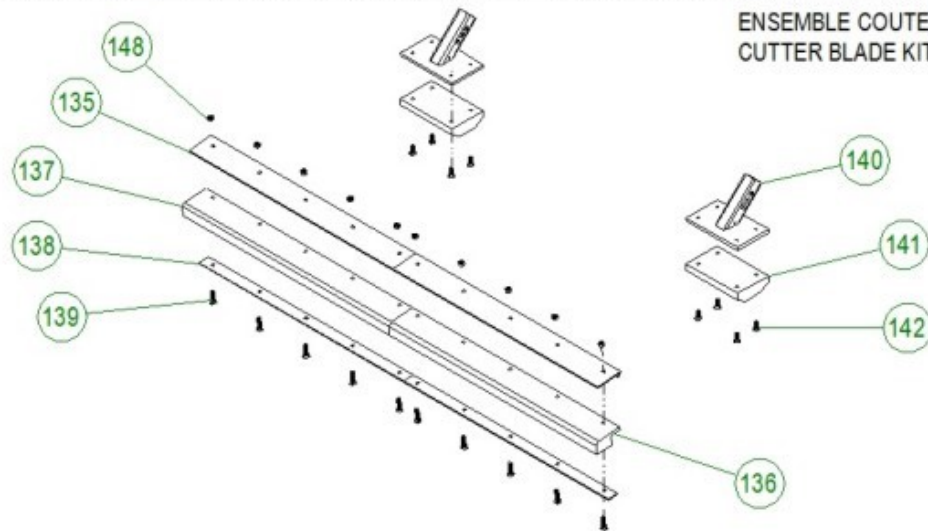
ENSEMBLE COUTEAUX: ACIER 450  
CUTTER BLADE KIT: #450 HARDNESS STEEL



ENSEMBLE COUTEAUX: ACIER INOXYDABLE  
CUTTER BLADE KIT: STAINLESS STEEL



ENSEMBLE COUTEAUX: UHMW  
CUTTER BLADE KIT: UHMW



## FRAME (MS-2682)

REF.	PART NO.	DESCRIPTION	QTE
1	NC14-75-0160	FLANGE BEARING	2
2	80-57-0040	PTO GUARD (MS 26 & 26-D)	1
3	80-01-7525	PTO GUARD SUPPORT (MS 26 & 26-D)	1
4	46-50-0100	3-POINTS HITCH	2
5	NC17-46-0028	CROWN CHUTE GUIDE	4
6	80-42-0320	CHUTE GUIDE	1
7	80-42-0315	CHUTE GUIDE	1
8	NC17-46-0027	CROWN CHUTE GUIDE	4
9	80-42-0305	CHUTE GUIDE	1
10	80-42-0310	CHUTE GUIDE	1
11	80-01-1015	BRACE	1
12	80-01-1010	BRACE	2
13	80-50-0070	CHAIN GUARD (MS 26)	1
14	80-57-0036	CHAIN GUARD (MS 26)	1
15	80-50-0050	IMPELLER (MS 26)	1
16	80-50-0580	SPIRAL (MS 2682)	1
N/I	80-36-0500	SPROCKET	1
17	80-57-0500	FRAME (MS 2682)	1
18	NC14-55-0295	SPROCKET	2
19	NC14-55-0293	SPROCKET	1
20	NC14-45-0147	HYDRAULIC MOTOR	1
21	48-50-1025	HYDRAULIC MOTOR SPROCKET	1
22	NC13-45-0014	QUICK DISCON.COUPLER 1/2"-14 NPTF	4
23	NC13-45-0153	HEX.REDUCER 1/4 FEM. NPT X 1/2 MALE NPT	4
24	NC17-02-0328	HYDRAULIC HOSE (63" LG)	2
25	32-21-0010	HYDRAULIC RESTRICTOR	2
26	NC13-45-0072	90° 7/8"-14 MALE SAE O RING X 3/8" FEM.TOUR.NPT	2
27	NC14-75-0094	GREASE FITTING WITH PRESSED STEEL FLANGE	1
28	NC01-37-0132	HEX. BOLT NF ZINC 3/8"-24 X 5 1/2" (GRADE 8)	2
29	NC01-33-0406	HEX.BOLT 5/8"-11 X 4 1/2" LG (GRADE 8)	4
30	80-42-0110	CAP	1
31	49-20-0210	PIN	2
32	NC01-69-1100	LINCHPIN 3/8" Dia.	3
33	NC01-69-1306	LOCK PIN 3/8" Dia. X 2 1/2" LG	1
34	80-50-0565	DRIVE SHAFT (MS 2682 & MS 2682-D)	1
35	80-24-0000	BUSHING	1
36	80-50-0093	STAND	1
37	80-01-3000	GEAR GUARD	1
38	NC02-32-0016	LOCK WASHER Ø 5/8"	6
39	NC02-07-0022	HEX. NUT 5/8"-11	4
40	NC13-30-0237	CAPSULE WITH END CAP	1
41	NC01-96-0009	NYLON INSERT LOCKNUTS 1/4"-20	2
42	NC02-22-0008	FLAT WASHER Ø 5/16"	4
43	NC01-17-0007	HEX. BOLT GR2 NC ZINC 1/4"-20 X 1 1/4"	2
44	80-21-0010	BUSHING	4
45	NC01-17-0063	HEX.BOLT 5/16"-18 X 1 3/4" LG (GR2)	7
46	NC02-32-0011	LOCK WASHER Ø 5/16"	2
47	NC01-93-0010	STOP NUT 5/16"-18	7
48	NC01-04-0109	CARR.BOLT 3/8"-16 X 1" LG (GRADE 2)	3
49	NC02-32-0012	LOCK WASHER Ø 3/8"	11
50	NC02-07-0018	HEX.NUT 3/8"-16	7
51	01-01-2485	FLAT WASHER 13/16" Dia. X Ø 25/64" X 14GA	15
52	NC01-17-0118	HEX.BOLT 3/8"-16 X 2" LG (GRADE 2)	9
53	NC01-17-0122	HEX.BOLT 3/8"-16 X 3" LONG (GRADE 2)	6
54	NC01-93-0011	STOP NUT 3/8"-16	15
55	NC02-25-0011	FLAT WASHER Ø 17/32"	22



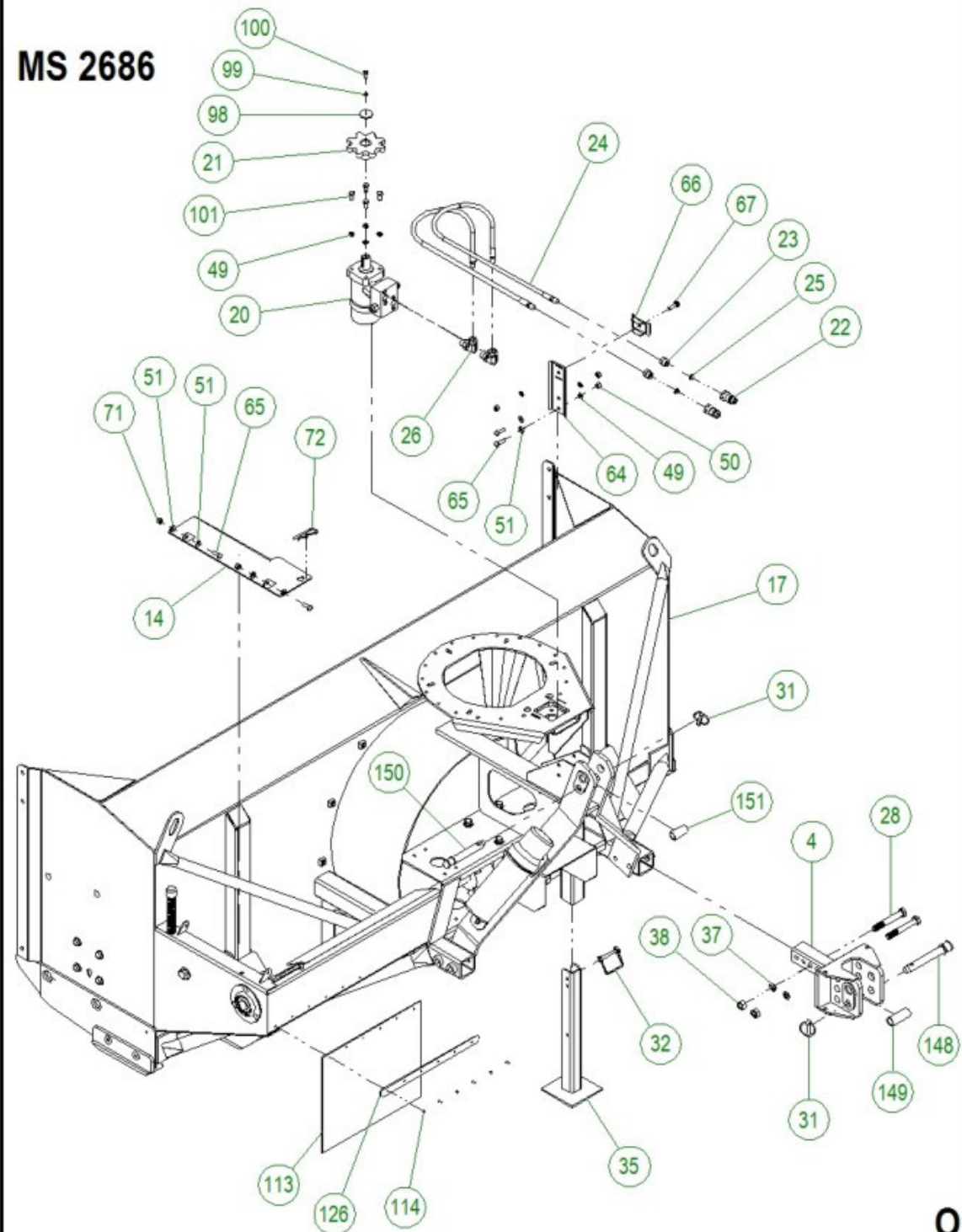
## FRAME (MS-2682)

REF.	PART NO.	DESCRIPTION	QTE
56	NC01-17-0249	HEX.BOLT 1/2"-13 X 1 1/2" (GRADE 2)	4
57	NC01-17-0250	HEX. BOLT GR2 NC ZINC 1/2"-13 X 1 3/4"	4
58	NC02-32-0014	LOCK WASHER Ø 1/2"	24
59	NC02-07-0020	HEX.NUT 1/2"-13	8
60	NC01-94-0011	LOCKNUTS 3/8"-24	2
61	80-04-0185	WASHER	1
62	NC01-17-0395	HEX. BOLT NC ZINC 5/8-11" X 1 3/4" (GRADE 2)	1
63	NC01-17-0248	HEX.BOLT 1/2"-13 X 1 1/4" LG (GRADE 2)	4
64	NC01-17-0251	HEX.BOLT 1/2"-13 X 2" (GRADE 2)	4
65	80-01-7590	SUPPORT	1
66	NC01-17-0114	HEX.BOLT 3/8"-16 X 1" LG (GRADE2)	4
67	48-01-7530	HYDRAULIC HOSE SUPPORT	2
68	NC01-04-0110	CARRIAGE BOLT 3/8"-16 X 1 1/4" LG (GRADE 2)	2
69	NC02-10-0020	HEX.NUT 1/2"-20	2
70	NC13-86-0052	SPRING	1
71	NC01-96-0014	NYLON INSERT LOCKNUTS 1/2"-13	2
72	NC01-96-0011	NYLON INSERT LOCKNUTS 3/8"-16	7
73	NC01-63-0026	HITCH PIN CLIPS 5/32" X 3" LG	3
74	NC01-04-0107	CARR.BOLT 3/8"-16 X 3/4" LG (GRADE 2)	4
75	NC02-14-0019	FLANGE HEX. LOCKNUTS 3/8"-16 (GRADE B)	4
76	NC01-45-0184	METRIC BOLT 8MM X 20MM (GRADE 8.8)	2
77	80-57-0301	BEFORE 05/2016 CHUTE (BOTTOM SECTION) (MS 26)	1
N/I	80-57-0303	AFTER 05/2016 CHUTE (BOTTOM SECTION) (MS 26)	1
78	80-57-0311	BEFORE 05/2016 CHUTE (MIDDLE SECTION) (MS 26)	1
N/I	80-57-0312	AFTER 05/2016 CHUTE (MIDDLE SECTION) (MS 26)	1
79	80-57-0321	BEFORE 02/2016 CHUTE (TOP SECTION) (MS 26)	1
N/I	80-57-0322	AFTER 05/2016 CHUTE (TOP SECTION) (MS 26)	1
80	NC13-45-0209	HYDRAULIC CYLINDER	1
81	NC01-67-0304	END LINK 3/8"-24	4
82	48-13-0600	CHUTE ROD	2
83	NC02-10-0018	HEX.NUT 3/8"-24	4
84	80-50-0341	BEFORE 05/2016 PIVOT (MS 26)	2
N/I	80-20-0260	AFTER 05/2016 PIVOT (MS 26)	2
85	NC01-07-0113	CARR.BOLT 3/8"-16 X 2" LONG (GRADE 5)	2
86	NC01-25-0117	HEX. BOLT GR5 NC ZINC 3/8"-16 X 1 3/4"	2
87	NC17-02-0329	HYDRAULIC HOSE (87" LG)	2
88	32-21-0010	HYDRAULIC RESTRICTOR	2
89	NC01-69-0139	SPLIT PIN 1/8" X 3/4"	2
90	NC01-69-0785	GREASE FITTING 1/4"-28 (STRAIGHT)	9
91	NC13-80-0213	SPRING-LOCK	1
92	NC01-96-0006	NYLON INSERT LOCKNUTS 10-24	4
93	NC01-54-0110	BOLT 3/16 X 3/4 (STANLESS STEEL)	4
94	48-50-1030	HYDRAULIC HOSE SUPPORT	1
95	80-57-0361	BEFORE 05/2016 CHUTE DOOR (MS 26)	1
N/I	80-57-0353	AFTER 05/2016 CHUTE DOOR (MS 26)	1
96	NC17-46-0018	PLASTIC KNOB	1
97	NC01-17-0119	HEX.BOLT 3/8"-16 X 2 1/4" LG (GRADE 2)	1
98	NC13-45-0038	ELBOW 90° 3/8 FEM.NPT X 3/8 MALE NPT	2
99	39-01-1105	WASHER	1
100	NC02-32-0010	LOCK WASHER Ø 1/4"	1
101	NC01-33-0005	HEX.BOLT 1/4"-20 X 7/8" LG (GRADE 8)	1
102	NC01-78-0016	ALUMINIUM RIVET 3/16" X 5/8" LG	6
103	NC01-17-0112	HEX.BOLT 3/8"-16 X 3/4" LG (GRADE 2)	4
104	80-41-0900	IMPELLER KEY	1
105	80-21-0007	BUSHING	6
106	80-50-0111	LEFT SNOW GUARD (MS 26)	1

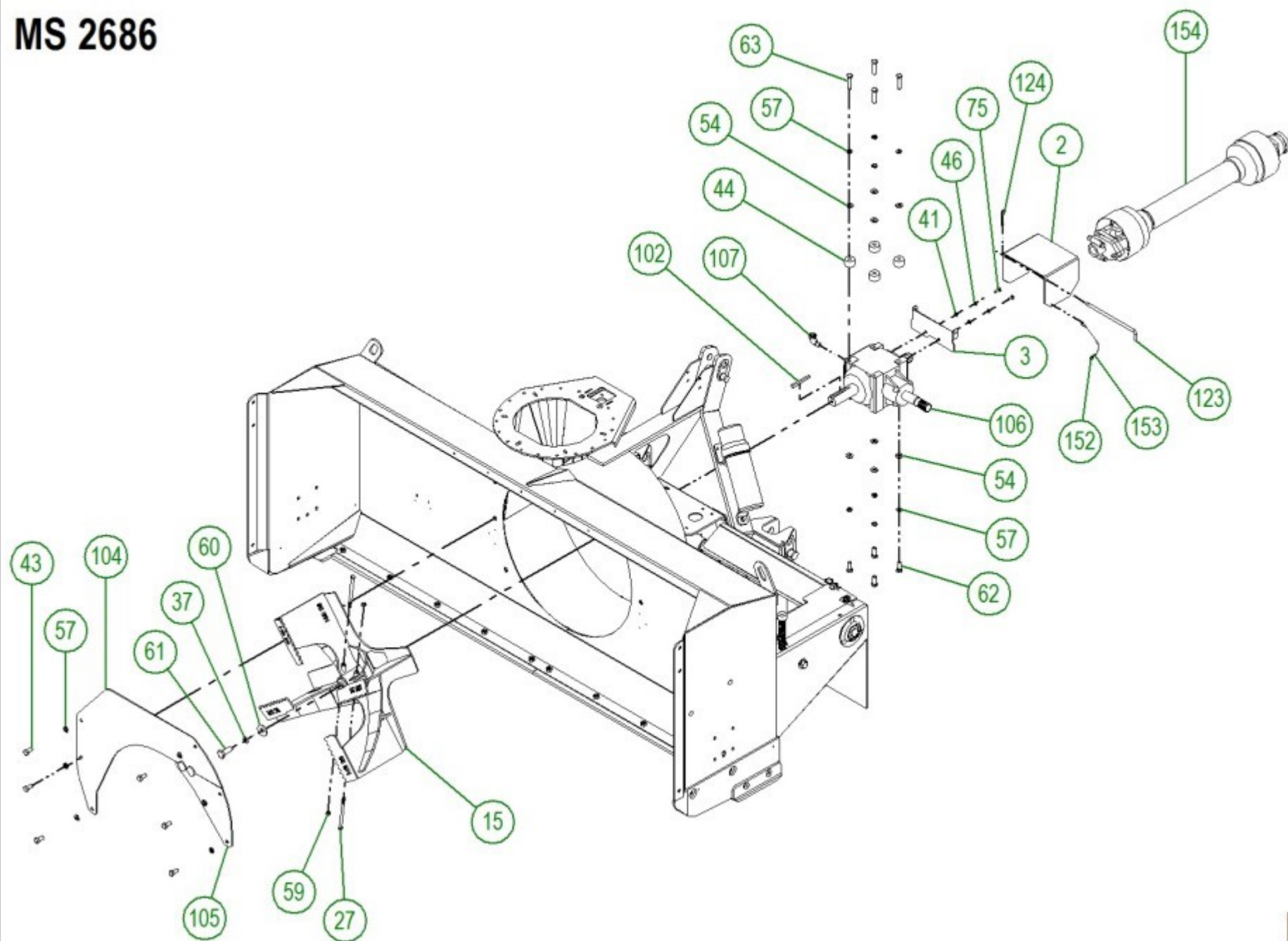
## FRAME (MS-2682)

REF.	PART NO.	DESCRIPTION	QTE
107	80-50-0113	RIGHT SNOW GUARD (MS 26)	1
108	NC01-25-0247	HEX.BOLT 1/2"-13 X 1" LG (GRADE 5)	6
109	80-55-0010	GEARBOX	1
110	NC13-65-0003	BRASS ELBOW 90° 3/8 FEM. NPT X 3/8 MALE NPT	1
111	80-01-1040	CHUTE SUPPORT	3
112	NC02-45-0634	ALLEN SET SCREW M10 X 1.5 PITCH X 30MM (STAINLESS)	3
113	80-21-0005	BUSHING	3
114	NC17-46-0006	BLACK UHMW WHEEL	3
115	NC02-14-0727	HEX. THIN NUT M10 X 1.5 PITCH (STAINLESS)	3
116	NC14-75-0093	PRESSED STEEL FLANGE	1
117	NC14-75-0162	BEARING	1
118	NC13-15-0300	SNOW GUARD	1
119	80-50-0045	CHAIN TENSIONER	1
120	80-13-2400	CHAIN TENSIONER BUSHING	1
121	80-21-0020	CHAIN TENSIONER BUSHING (SPROCKET)	2
122	NC01-29-0252	HEX.BOLT 1/2"-20 X 2 1/4" (GRADE 5)	2
123	80-50-0040	CHAIN TENSIONER (THREADED ROD)	1
124	NC02-22-0013	FLAT WASHER 1 1/2" X Ø 5/8"	1
125	NC01-21-0394	HEX.BOLT 5/8"-18 X 1 1/2" (GRADE 2)	1
126	NC01-69-0787	GREASE FITTING 1/4"-28 X 90°	1
127	80-13-0400	PTO GUARD PIVOT	1
128	80-37-1005	CHAIN #60 HD	1
129	80-01-1075	SNOW GUARD REINFORCEMENT	1
130	NC01-63-0015	HITCH PIN CLIPS 1/8" X 2 5/8" LG	1
131	48-20-0070	PIN (CAT. 1)	2
132	48-20-0075	PIN (CAT. 1)	1
133	80-09-1300	BUSHING (CAT.2)	2
134	82-09-1210	BUSHING (CAT.2)	1
135	80-50-0700	REINFORCING KNIFE (TOP)	2
136	80-42-0135	RIGHT KNIFE (UHMW)	1
137	80-42-0136	LEFT KNIFE (UHMW)	1
138	80-04-0335	REINFORCING KNIFE (UNDER)	2
139	NC02-48-0548	FLAT HEAD SOCKET CAP SREWS 1/2"-13 X 2" LG (STAINLESS STEEL)	10
140	80-50-0057	ADJUSTABLE SKATE FOR SOLE IN ( UHMW)	2
141	80-42-0125	SOLE (UHMW)	2
142	NC02-48-0545	FLAT HEAD SOCKET CAP SREWS 1/2"-13 X 1 1/4" LG (STAINLESS STEEL)	8
143	80-50-0085	LATERAL SKATE (#450 HARDNESS STEEL)	2
144	80-50-0055	AJUSTABLE SKATE (#450 HARDNESS STEEL)	2
145	80-20-0460	KNIFE (#450 HARDNESS STEEL)	2
146	NC01-09-0029	PLOW BOLT NC.Z 1/2"-13" X 1 1/4 "(GRADE 5)	10
147	NC02-48-0052	FLAT HEAD SOCKET CAP SCEW T.FRA 5/8-11" X 1 1/4"	4
148	NC01-93-0014	STOP NUT 1/2"-13	10
149	80-20-0160	KNIFE (STAINLESS)	2
150	80-50-0087	LATERAL SKATE (STANLESS STEEL)	2
151	80-50-0058	AJUSTABLE SKATE (STAINLESS STEEL)	2
152	80-41-0135	STEEL CABLE	1
153	NC01-64-0005	ALUMINUM OVAL SLEEVE	2
154	80-34-0030	PTO SHAFT T60 (540RPM)	1
155	NC01-69-0786	GREASE FITTING 1/4"-28 (45°)	1

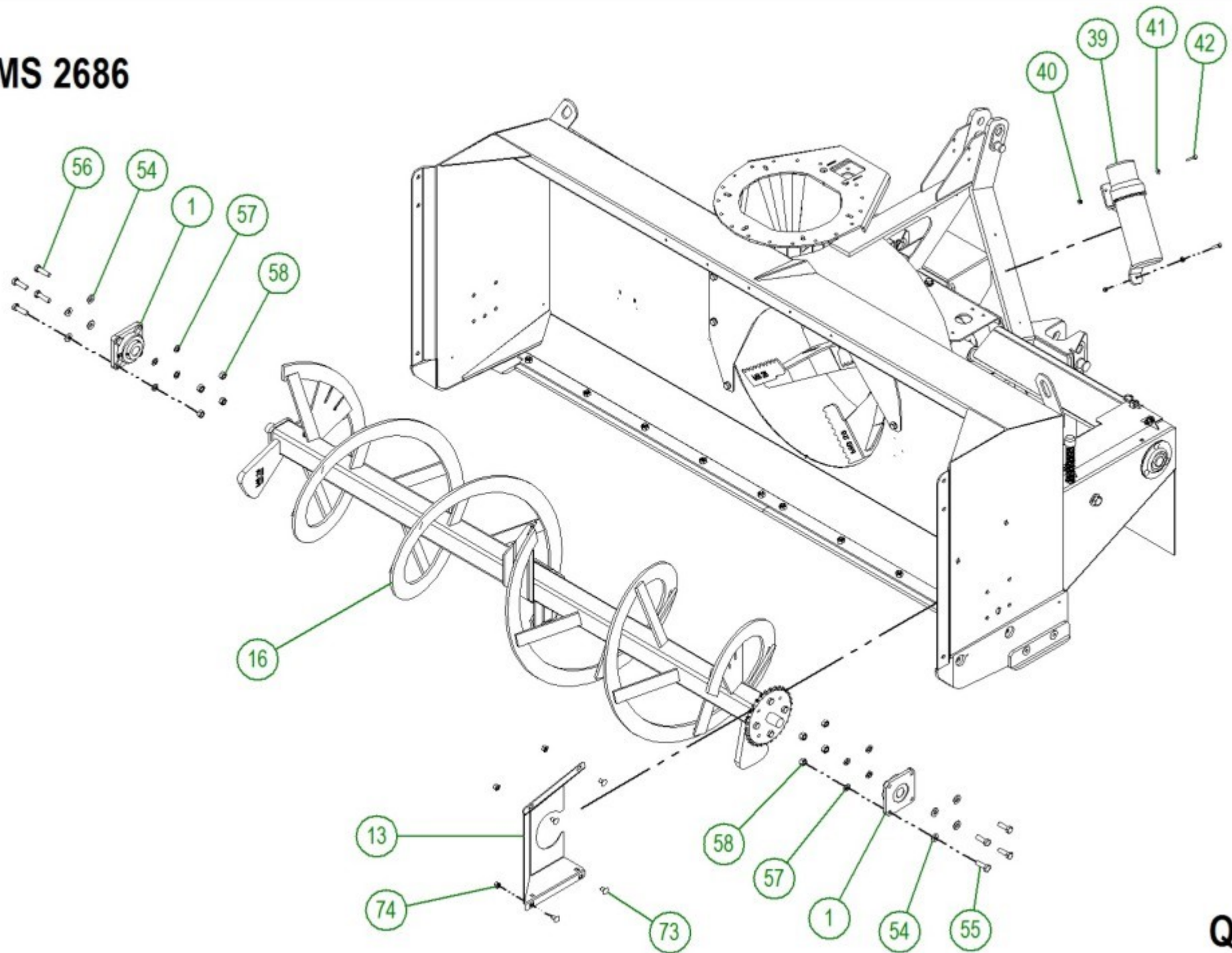
# MS 2686



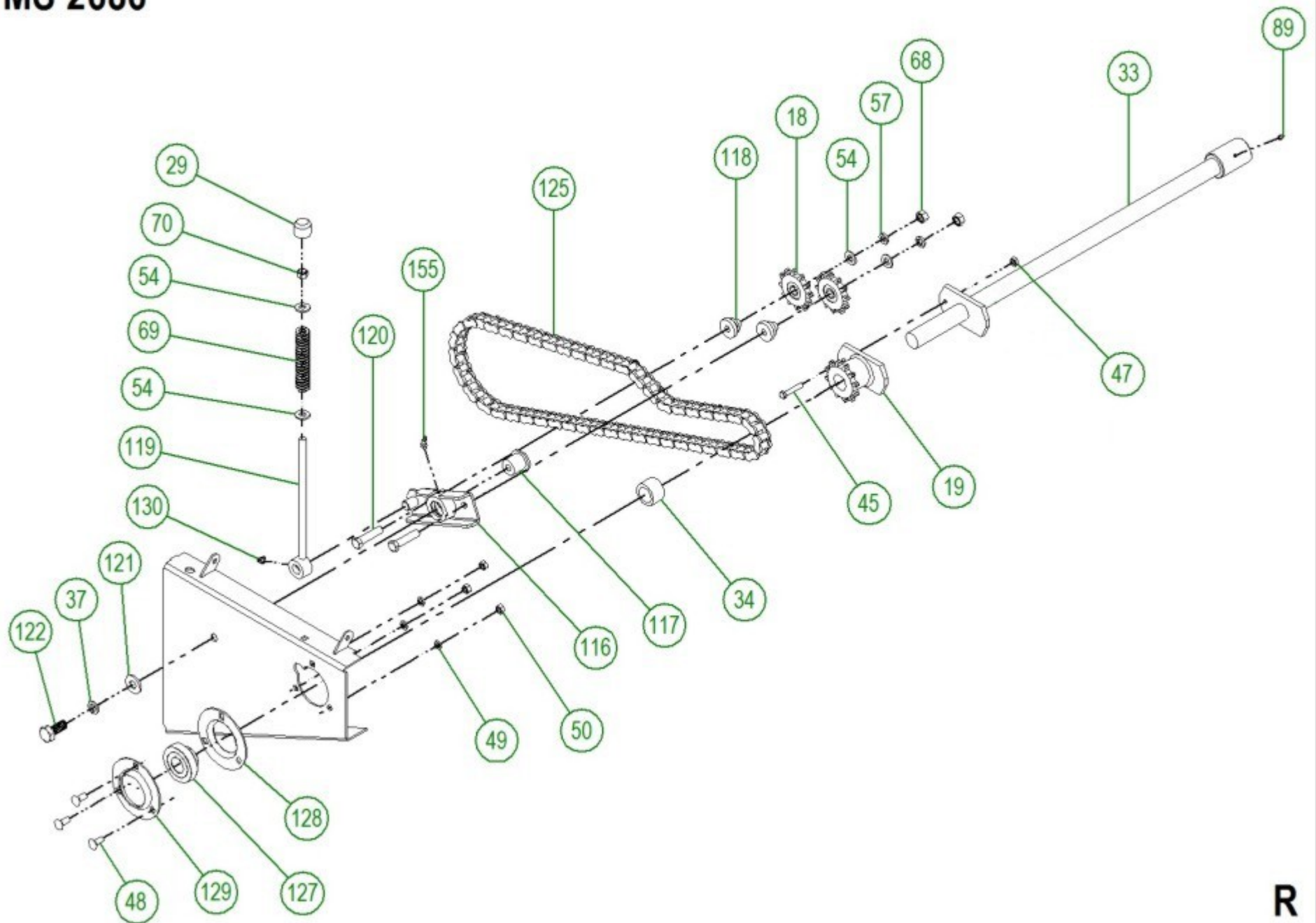
# MS 2686



# MS 2686

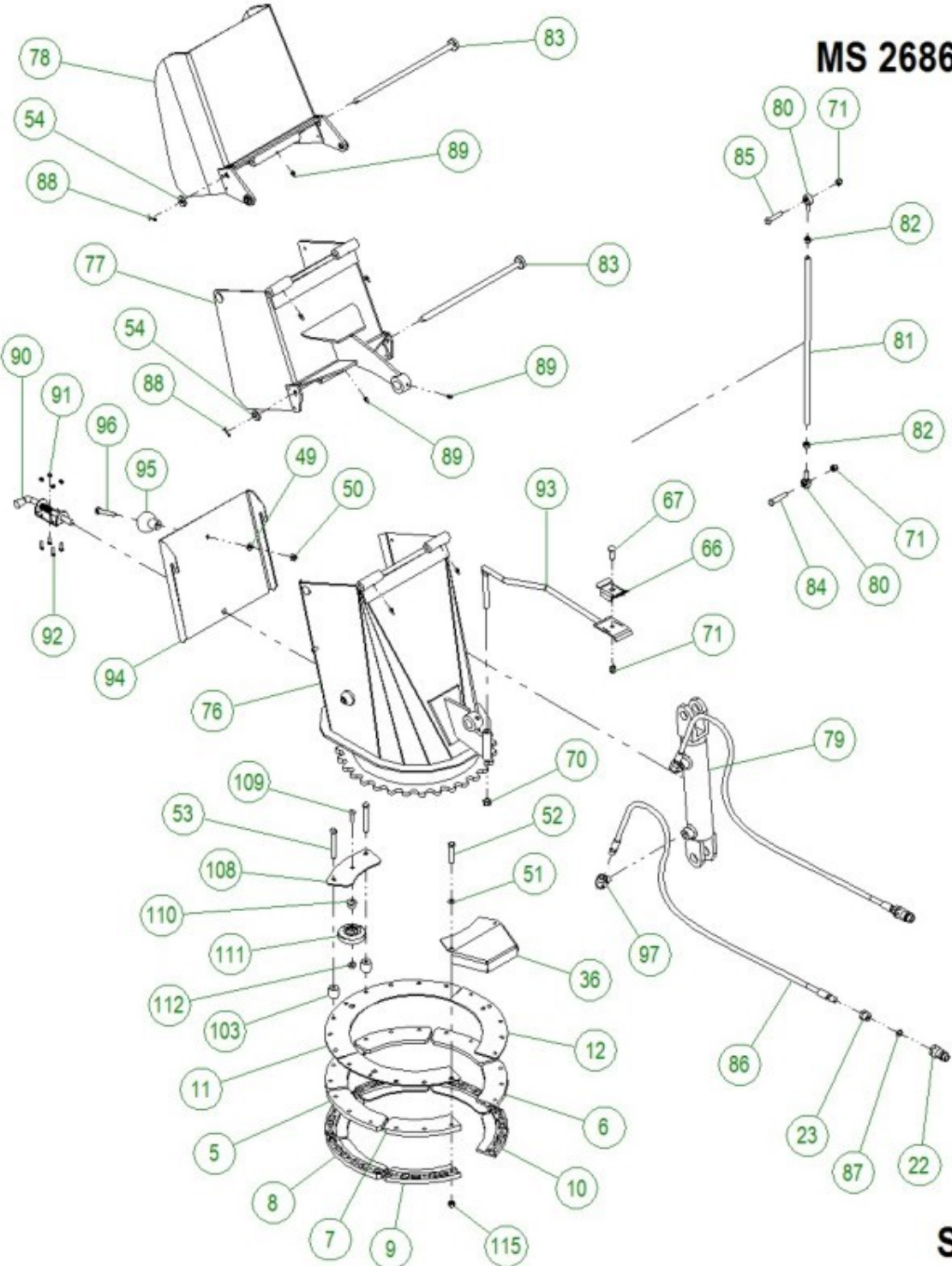


# MS 2686



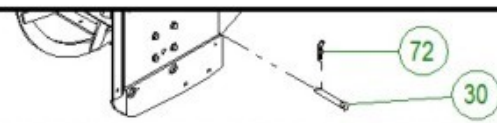
R

MS 2686

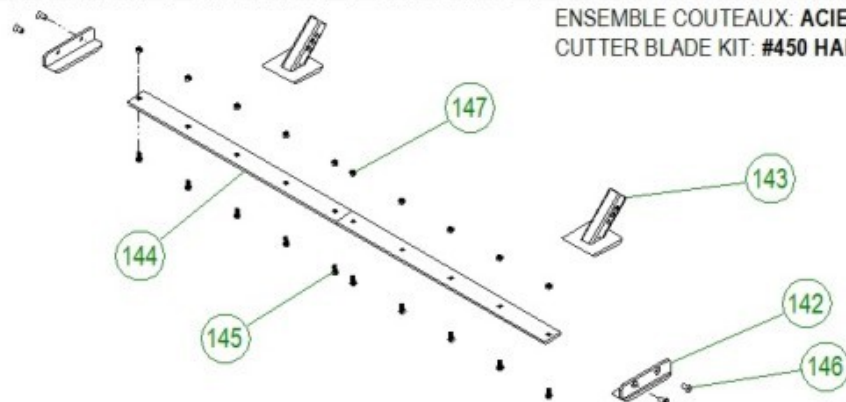


S

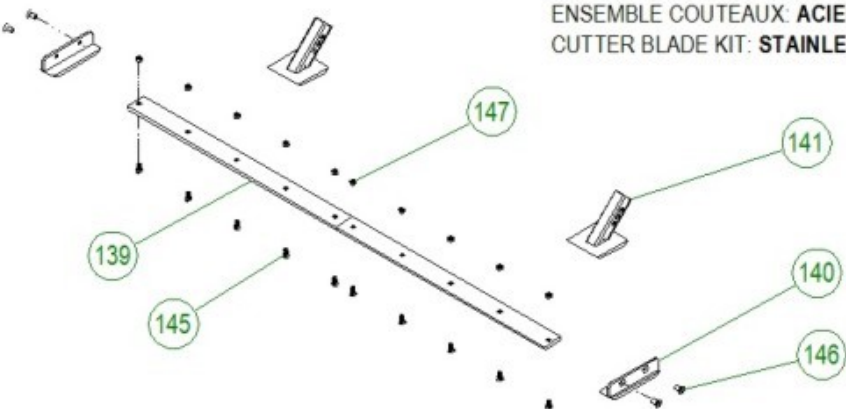
# MS 2686



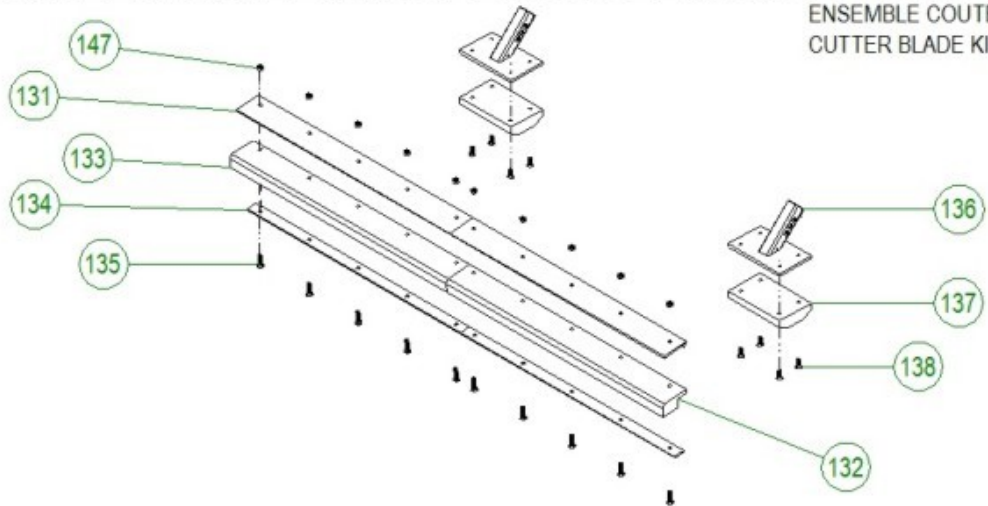
ENSEMBLE COUTEAUX: **ACIER 450**  
CUTTER BLADE KIT: **#450 HARDNESS STEEL**



ENSEMBLE COUTEAUX: **ACIER INOXYDABLE**  
CUTTER BLADE KIT: **STAINLESS STEEL**



ENSEMBLE COUTEAUX: **UHMW**  
CUTTER BLADE KIT: **UHMW**



T



## FRAME (MS-2686)

REF.	PART NO.	DESCRIPTION	QTE
1	NC14-75-0160	FLANGE BEARING	2
2	80-57-0040	PTO GUARD (MS 26 & 26-D)	1
3	80-01-7525	PTO GUARD SUPPORT (MS 26 & 26-D)	1
4	46-50-0100	3-POINTS HITCH	2
5	NC17-46-0028	CROWN CHUTE GUIDE	4
6	80-42-0320	CHUTE GUIDE	1
7	80-42-0315	CHUTE GUIDE	1
8	NC17-46-0027	CROWN CHUTE GUIDE	4
9	80-42-0305	CHUTE GUIDE	1
10	80-42-0310	CHUTE GUIDE	1
11	80-01-1015	BRACE	1
12	80-01-1010	BRACE	2
13	80-50-0070	CHAIN GUARD (MS 26)	1
14	80-57-0036	CHAIN GUARD (MS 26)	1
15	80-50-0050	IMPELLER (MS 26)	1
16	80-50-1080	SPIRAL (MS 2686)	1
N/I	80-36-0500	SPROCKET	1
17	80-57-1000	FRAME (MS 2686)	1
18	NC14-55-0295	SPROCKET	2
19	NC14-55-0293	SPROCKET	1
20	NC14-45-0147	HYDRAULIC MOTOR	1
21	48-50-1025	HYDRAULIC MOTOR SPROCKET	1
22	NC13-45-0014	QUICK DISCON.COUPLER 1/2"-14 NPTF	4
23	NC13-45-0153	HEX.REDUCER 1/4 FEM. NPT X 1/2 MÅLE NPT	4
24	NC17-02-0328	HYDRAULIC HOSE (63" LG)	2
25	32-21-0010	HYDRAULIC RESTRICTOR	2
26	NC13-45-0072	90° 7/8"-14 MALE SAE O RING X 3/8" FEM.TOUR.NPT	2
27	NC01-37-0132	HEX. BOLT NF ZINC 3/8"-24 X 5 1/2" (GRADE 8)	2
28	NC01-33-0406	HEX.BOLT 5/8"-11 X 4 1/2" LG (GRADE 8)	4
29	80-42-0110	CAP	1
30	49-20-0210	PIN	2
31	NC01-69-1100	LINCHPIN 3/8" Dia.	3
32	NC01-69-1306	LOCK PIN 3/8" Dia. X 2 1/2" LG	1
33	80-50-1065	DRIVE SHAFT (MS 2686)	1
34	80-24-0000	BUSHING	1
35	80-50-0093	STAND	1
36	80-01-3000	GEAR GUARD	1
37	NC02-32-0016	LOCK WASHER Ø 5/8"	6
38	NC02-07-0022	HEX. NUT 5/8"-11	4
39	NC13-30-0237	CAPSULE WITH END CAP	1
40	NC01-96-0009	NYLON INSERT LOCKNUTS 1/4"-20	2
41	NC02-22-0008	FLAT WASHER Ø 5/16"	4
42	NC01-17-0007	HEX. BOLT GR2 NC ZINC 1/4"-20 X 1 1/4"	2
43	NC01-25-0247	HEX.BOLT 1/2"-13 X 1" LG (GRADE 5)	6
44	80-21-0010	BUSHING	4
45	NC01-17-0063	HEX.BOLT 5/16"-18 X 1 3/4" LG (GR2)	7
46	NC02-32-0011	LOCK WASHER Ø 5/16"	2
47	NC01-93-0010	STOP NUT 5/16"-18	7
48	NC01-04-0109	CARR.BOLT 3/8"-16 X 1" LG (GRADE 2)	3
49	NC02-32-0012	LOCK WASHER Ø 3/8"	11
50	NC02-07-0018	HEX.NUT 3/8"-16	7
51	01-01-2485	FLAT WASHER 13/16" Dia. X Ø 25/64" X 14GA	15
52	NC01-17-0118	HEX.BOLT 3/8"-16 X 2" LG (GRADE 2)	9
53	NC01-17-0122	HEX.BOLT 3/8"-16 X 3" LONG (GRADE 2)	6
54	NC02-25-0011	FLAT WASHER Ø 17/32"	22
55	NC01-17-0249	HEX.BOLT 1/2"-13 X 1 1/2" (GRADE 2)	4

## FRAME (MS-2686)

REF.	PART NO.	DESCRIPTION	QTE
56	NC01-17-0250	HEX. BOLT GR2 NC ZINC 1/2"-13 X 1 3/4"	4
57	NC02-32-0014	LOCK WASHER Ø 1/2"	24
58	NC02-07-0020	HEX.NUT 1/2"-13	8
59	NC01-94-0011	LOCKNUTS 3/8"-24	2
60	80-04-0185	WASHER	1
61	NC01-17-0395	HEX. BOLT NC ZINC 5/8-11" X 1 3/4" (GRADE 2)	1
62	NC01-17-0248	HEX.BOLT 1/2"-13 X 1 1/4" LG (GRADE 2)	4
63	NC01-17-0251	HEX.BOLT 1/2"-13 X 2" (GRADE 2)	4
64	80-01-7590	SUPPORT	1
65	NC01-17-0114	HEX.BOLT 3/8"-16 X 1" LG (GRADE2)	4
66	48-01-7530	HYDRAULIC HOSE SUPPORT	2
67	NC01-04-0110	CARRIAGE BOLT 3/8"-16 X 1 1/4" LG (GRADE 2)	2
68	NC02-10-0020	HEX.NUT 1/2"-20	2
69	NC13-86-0052	SPRING	1
70	NC01-96-0014	NYLON INSERT LOCKNUTS 1/2"-13	2
71	NC01-96-0011	NYLON INSERT LOCKNUTS 3/8"-16	7
72	NC01-63-0026	HITCH PIN CLIPS 5/32" X 3" LG	3
73	NC01-04-0107	CARR.BOLT 3/8"-16 X 3/4" LG (GRADE 2)	4
74	NC02-14-0019	FLANGE HEX. LOCKNUTS 3/8"-16 (GRADE B)	4
75	NC01-45-0184	METRIC BOLT 8MM X 20MM (GRADE 8.8)	2
76	80-57-0301	BEFORE 05/2016 CHUTE (BOTTOM SECTION) (MS 26)	1
N/I	80-57-0303	AFTER 05/2016 CHUTE (BOTTOM SECTION) (MS 26)	1
77	80-57-0311	BEFORE 05/2016 CHUTE (MIDDLE SECTION) (MS 26)	1
N/I	80-57-0312	AFTER 05/2016 CHUTE (MIDDLE SECTION) (MS 26)	1
78	80-57-0321	BEFORE 05/2016 CHUTE (TOP SECTION) (MS 26)	1
N/I	80-57-0322	AFTER 05/2016 CHUTE (TOP SECTION) (MS 26)	1
79	NC13-45-0209	HYDRAULIC CYLINDER	1
80	NC01-67-0304	END LINK 3/8"-24	4
81	48-13-0600	CHUTE ROD	2
82	NC02-10-0018	HEX.NUT 3/8"-24	4
83	80-50-0341	BEFORE 05/2016 PIVOT (MS 26)	2
N/I	80-20-0260	AFTER 05/2016 PIVOT (MS 26)	2
84	NC01-07-0113	CARR.BOLT 3/8"-16 X 2" LONG (GRADE 5)	2
85	NC01-25-0117	HEX. BOLT GR5 NC ZINC 3/8"-16 X 1 3/4"	2
86	NC17-02-0329	HYDRAULIC HOSE (87" LG)	2
87	32-21-0010	HYDRAULIC RESTRICTOR	2
88	NC01-69-0139	SPLIT PIN 1/8" X 3/4"	2
89	NC01-69-0785	GREASE FITTING 1/4"-28 (STRAIGHT)	9
90	NC13-80-0213	SPRING-LOCK	1
91	NC01-96-0006	NYLON INSERT LOCKNUTS 10-24	4
92	NC01-54-0110	BOLT 3/16 X 3/4 (STANLESS STEEL)	4
93	48-50-1030	HYDRAULIC HOSE SUPPORT	1
94	80-57-0361	BEFORE 05/2016 CHUTE DOOR (MS 26)	1
N/I	80-57-0353	AFTER 05/2016 CHUTE DOOR (MS 26)	1
95	NC17-46-0018	PLASTIC KNOB	1
96	NC01-17-0119	HEX.BOLT 3/8"-16 X 2 1/4" LG (GRADE 2)	1
97	NC13-45-0038	ELBOW 90° 3/8 FEM.NPT X 3/8 MALE NPT	2
98	39-01-1105	WASHER	1
99	NC02-32-0010	LOCK WASHER Ø 1/4"	1
100	NC01-33-0005	HEX.BOLT 1/4"-20 X 7/8" LG (GRADE 8)	1
101	NC01-17-0112	HEX.BOLT 3/8"-16 X 3/4" LG (GRADE 2)	4
102	80-41-0900	IMPELLER KEY	1
103	80-21-0007	BUSHING	6
104	80-50-0111	LEFT SNOW GUARD (MS 26)	1
105	80-50-0113	RIGHT SNOW GUARD (MS 26)	1
106	80-55-0010	GEARBOX	1

## FRAME (MS-2686)

REF.	PART NO.	DESCRIPTION	QTE
107	NC13-65-0003	BRASS ELBOW 90° 3/8 FEM. NPT X 3/8 MALE NPT	1
108	80-01-1040	CHUTE SUPPORT	3
109	NC02-45-0634	ALLEN SET SCREW M10 X 1.5 PITCH X 30MM (STAINLESS)	3
110	80-21-0005	BUSHING	3
111	NC17-46-0006	BLACK UHMW WHEEL	3
112	NC02-14-0727	HEX. THIN NUT M10 X 1.5 PITCH (STAINLESS)	3
113	NC13-15-0300	SNOW GUARD	1
114	NC01-78-0016	ALUMINIUM RIVET 3/16" X 5/8" LG	6
115	NC01-93-0011	STOP NUT 3/8"-16	15
116	80-50-0045	CHAIN TENSIONER	1
117	80-13-2400	CHAIN TENSIONER BUSHING	1
118	80-21-0020	CHAIN TENSIONER BUSHING (SPROCKET)	2
119	80-50-0040	CHAIN TENSIONER (THREADED ROD)	1
120	NC01-29-0252	HEX.BOLT 1/2"-20 X 2 1/4" (GRADE 5)	2
121	NC02-22-0013	FLAT WASHER 1 1/2" X Ø 5/8"	1
122	NC01-21-0394	HEX.BOLT 5/8"-18 X 1 1/2" (GRADE 2)	1
123	80-13-0400	PTO GUARD PIVOT	1
124	NC01-63-0015	HITCH PIN CLIPS 1/8" X 2 5/8" LG	1
125	80-37-1005	CHAIN #60 HD	1
126	80-01-1075	SNOW GUARD REINFORCEMENT	1
127	NC14-75-0162	BEARING	1
128	NC14-75-0094	GREASE FITTING WITH PRESSED STEEL FLANGE	1
129	NC14-75-0093	PRESSED STEEL FLANGE	1
130	NC01-69-0787	GREASE FITTING 1/4"-28 X 90°	1
131	80-50-1200	REINFORCING KNIFE (TOP)	2
132	80-42-0140	RIGHT KNIFE (UHMW)	1
133	80-42-0141	LEFT KNIFE (UHMW)	1
134	80-04-0337	REINFORCING KNIFE (UNDER)	2
135	NC02-48-0548	FLAT HEAD SOCKET CAP SREWS 1/2"-13 X 2" LG (STAINLESS STEEL)	10
136	80-50-0057	ADJUSTABLE SKATE FOR SOLE IN ( UHMW)	2
137	80-42-0125	SOLE (UHMW)	2
138	NC02-48-0545	FLAT HEAD SOCKET CAP SREWS 1/2"-13 X 1 1/4" LG (STAINLESS STEEL)	8
139	80-20-0165	KNIFE (STAINLESS)	2
140	80-50-0087	LATERAL SKATE (STAINLESS STEEL)	2
141	80-50-0058	AJUSTABLE SKATE (STAINLESS STEEL)	2
142	80-50-0085	LATERAL SKATE (#450 HARDNESS STEEL)	2
143	80-50-0055	AJUSTABLE SKATE (#450 HARDNESS STEEL)	2
144	80-20-0455	KNIFE (#450 HARDNESS STEEL)	2
145	NC01-09-0029	PLOW BOLT NC.Z 1/2-13" X 1 1/4 "(GRADE 5)	10
146	NC02-48-0052	FLAT HEAD SOCKET CAP SCEW T.FRA 5/8-11" X 1 1/4"	4
147	NC01-93-0014	STOP NUT 1/2"-13	10
148	48-20-0070	PIN (CAT. 1)	2
149	80-09-1300	BUSHING (CAT.2)	2
150	48-20-0075	PIN (CAT. 1)	1
151	82-09-1210	BUSHING (CAT.2)	1
152	80-41-0135	STEEL CABLE	1
153	NC01-64-0005	ALUMINUM OVAL SLEEVE	2
154	80-34-0030	PTO SHAFT T60 (540RPM)	1
155	NC01-69-0786	GREASE FITTING 1/4"-28 (45°)	1