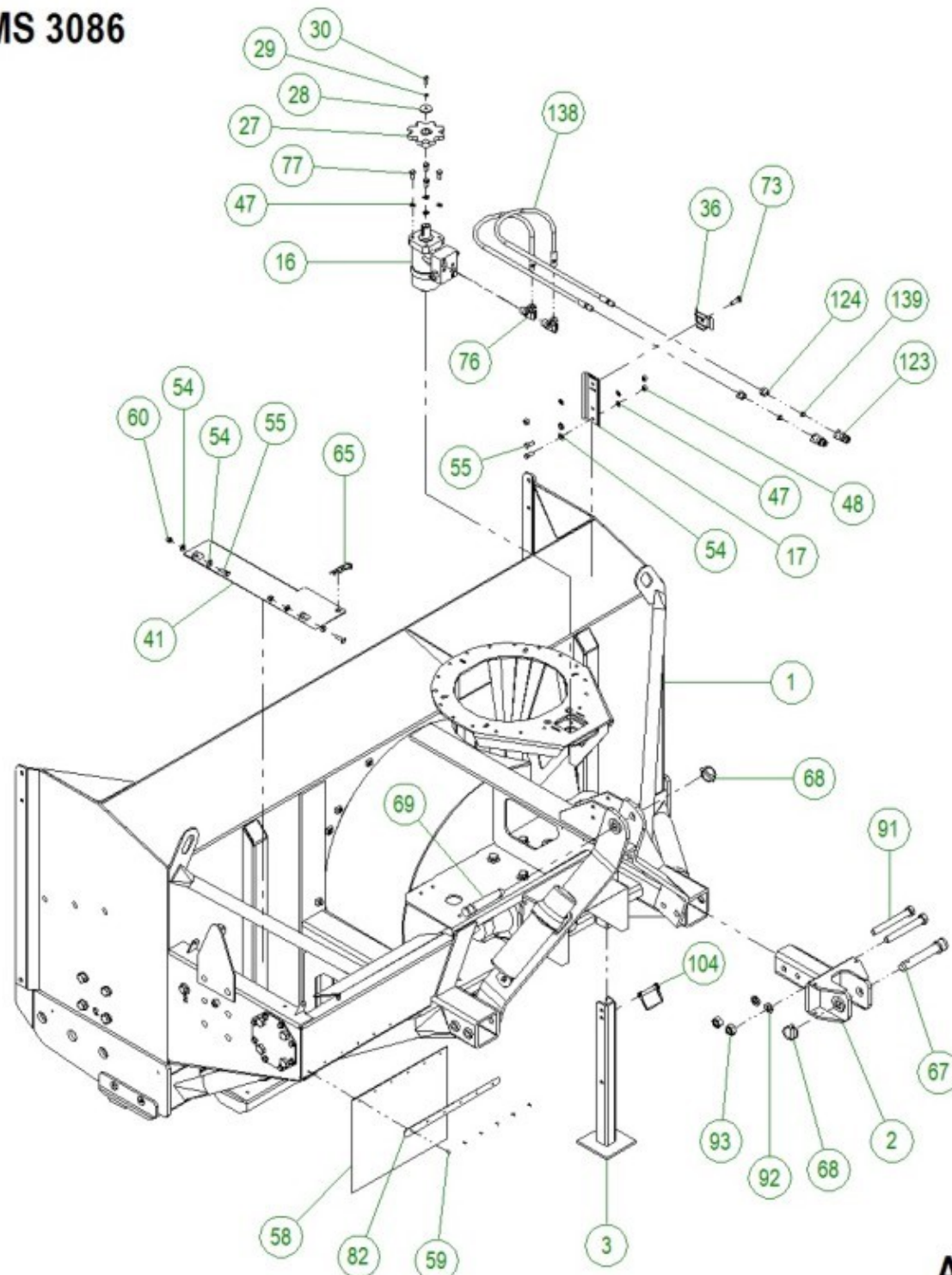
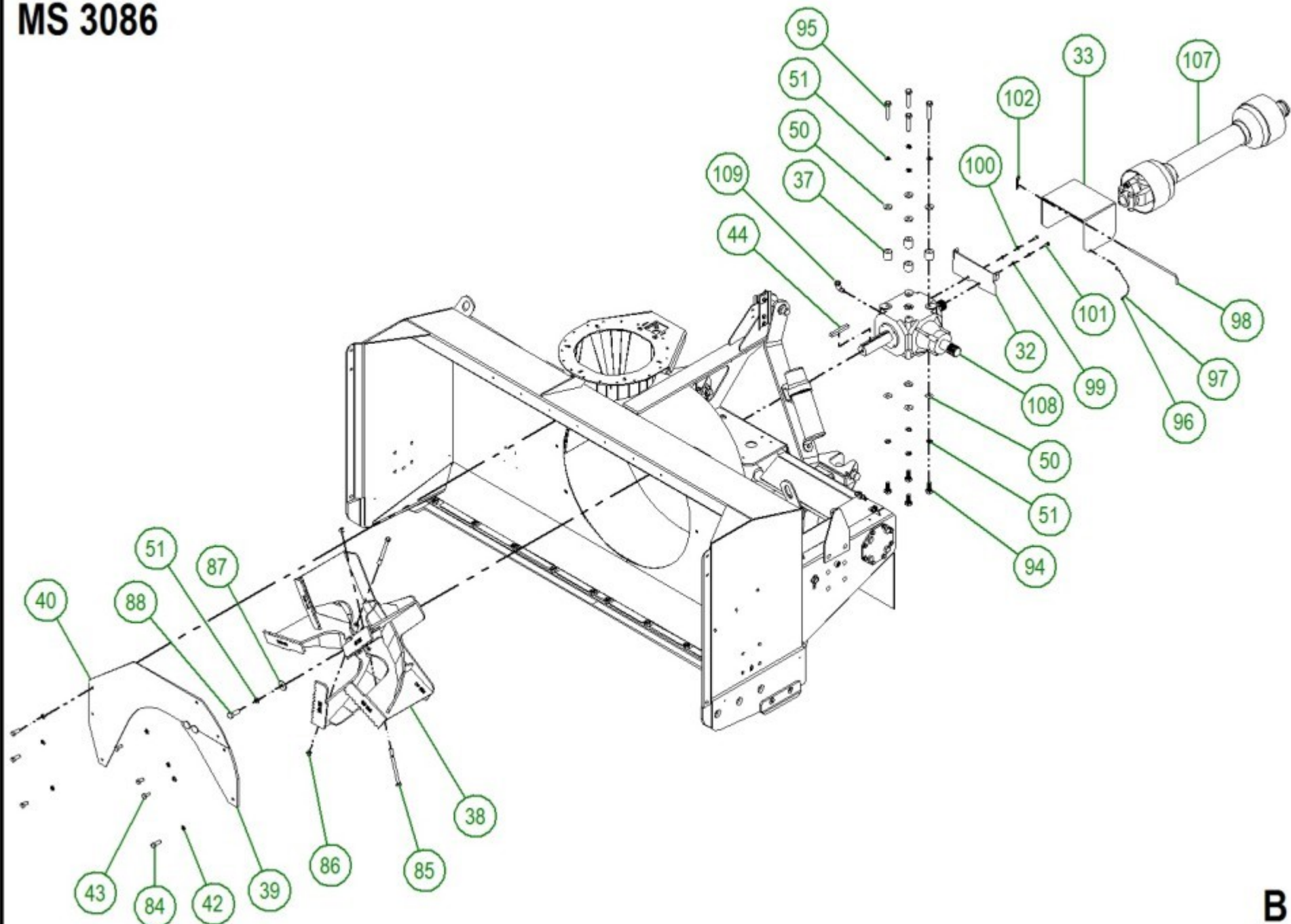


MS 3086



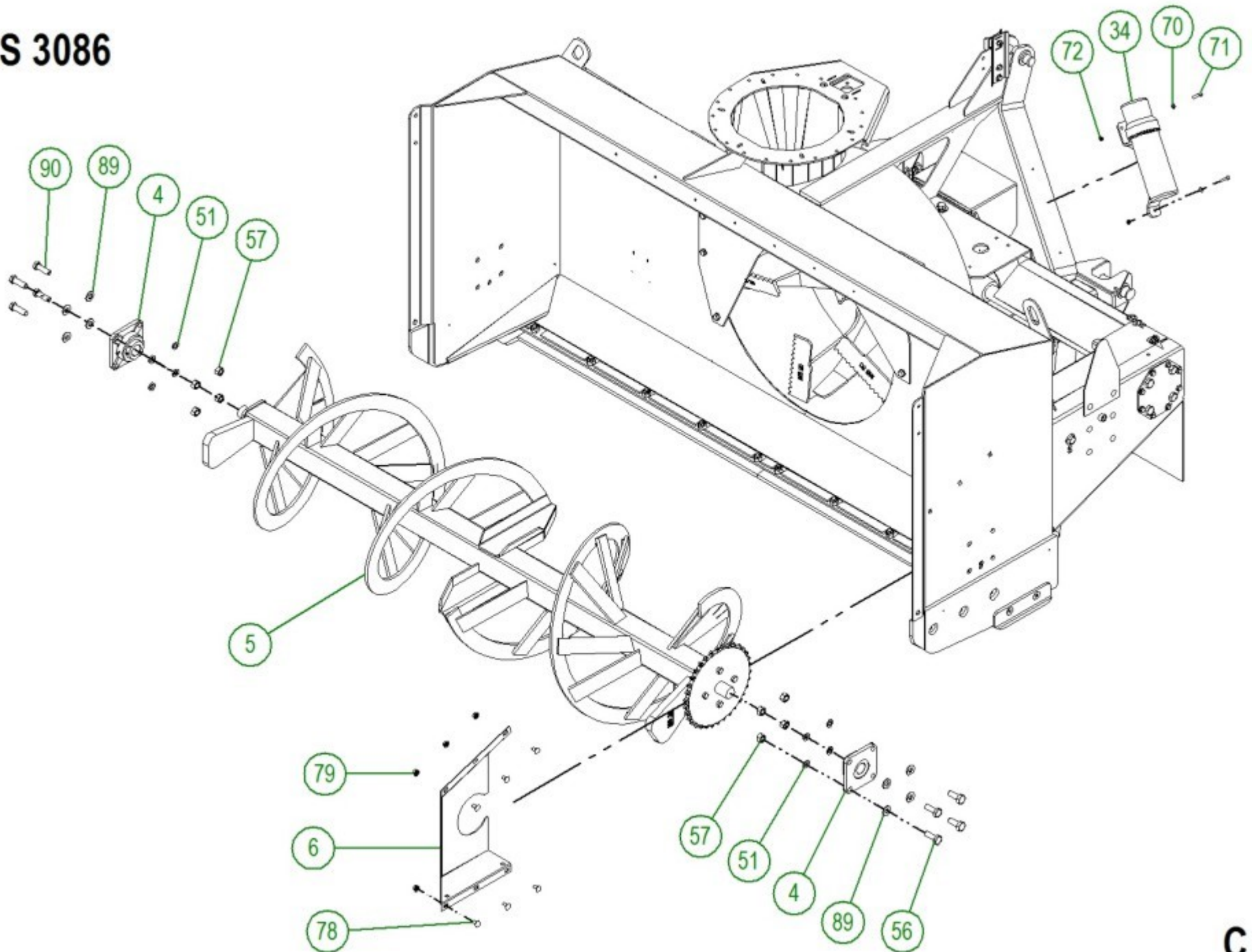
A

MS 3086



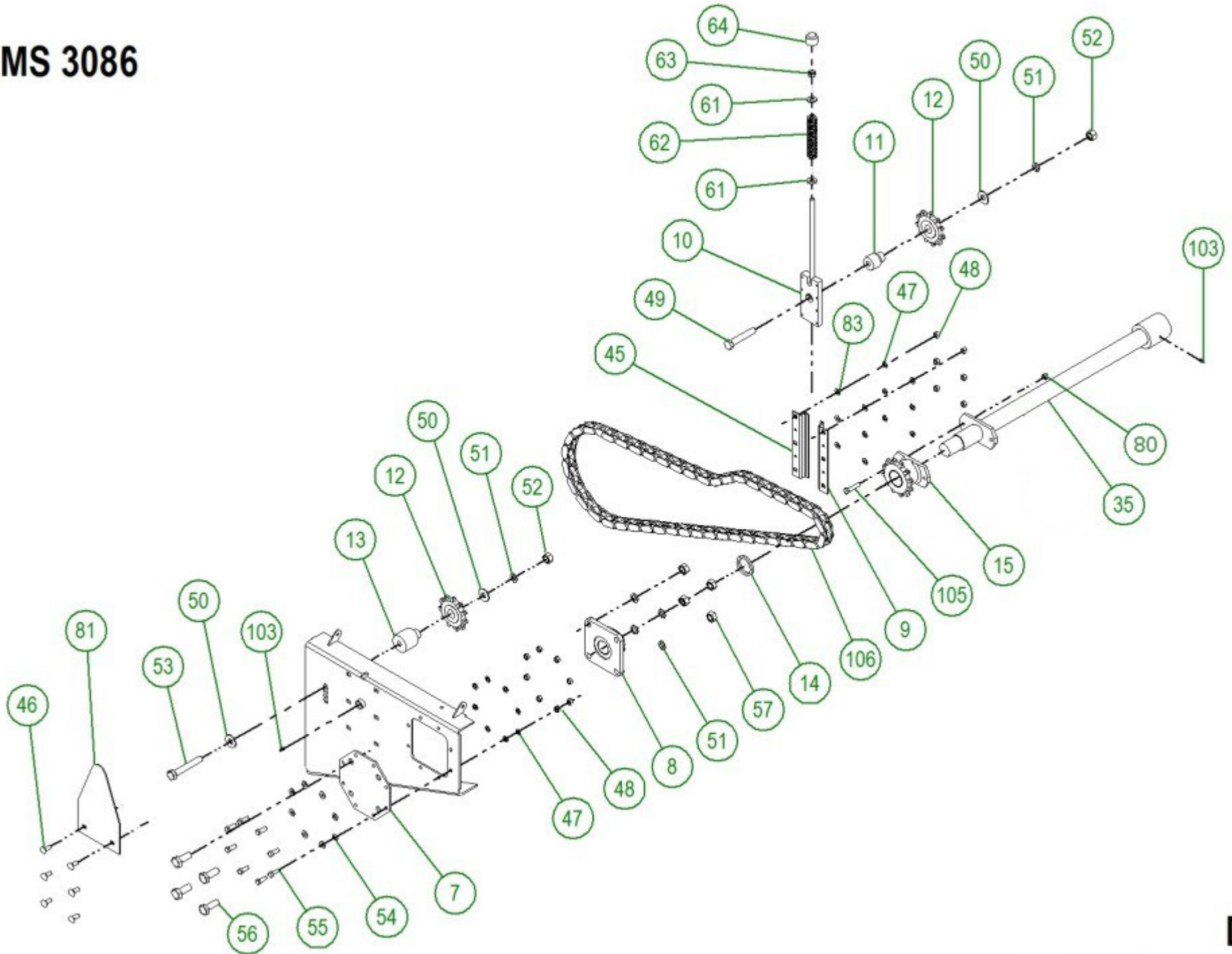
B

MS 3086

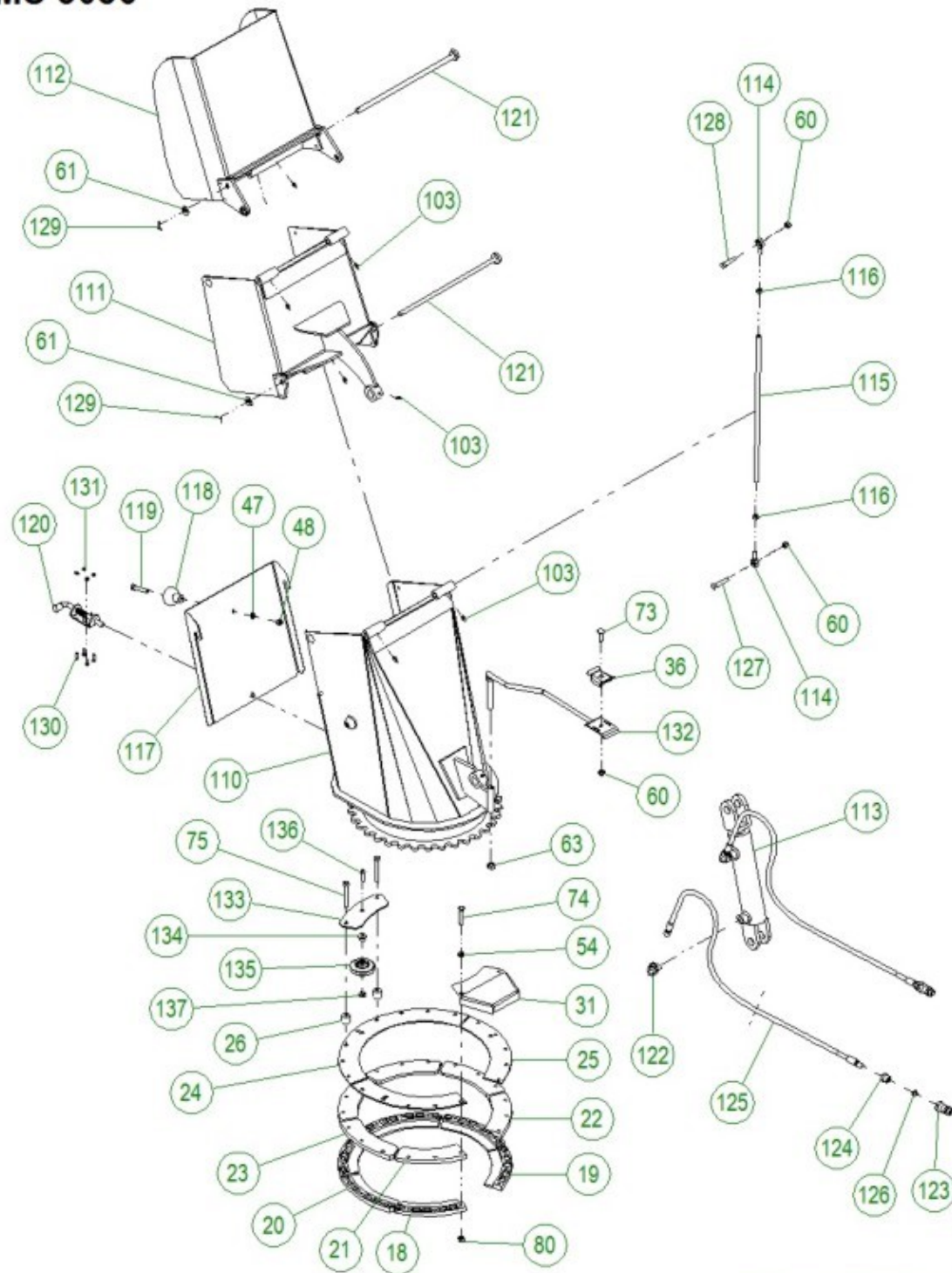


C

MS 3086

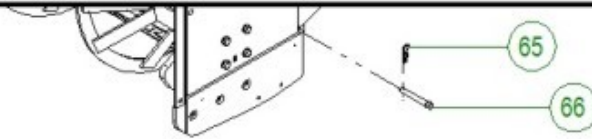


MS 3086

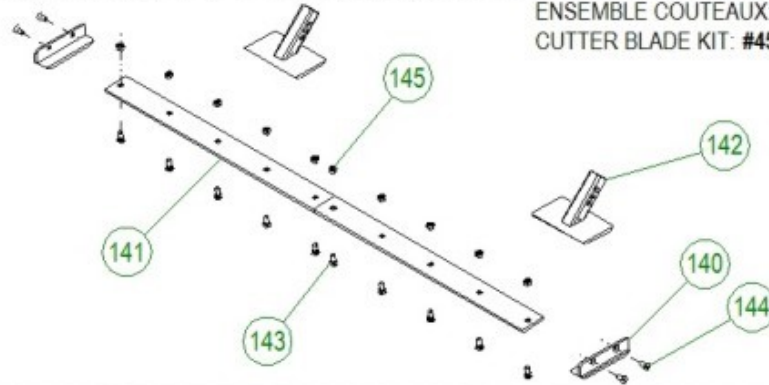


E

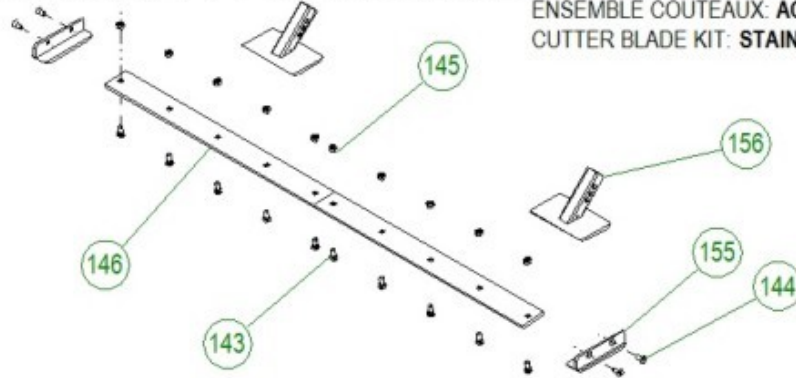
MS 3086



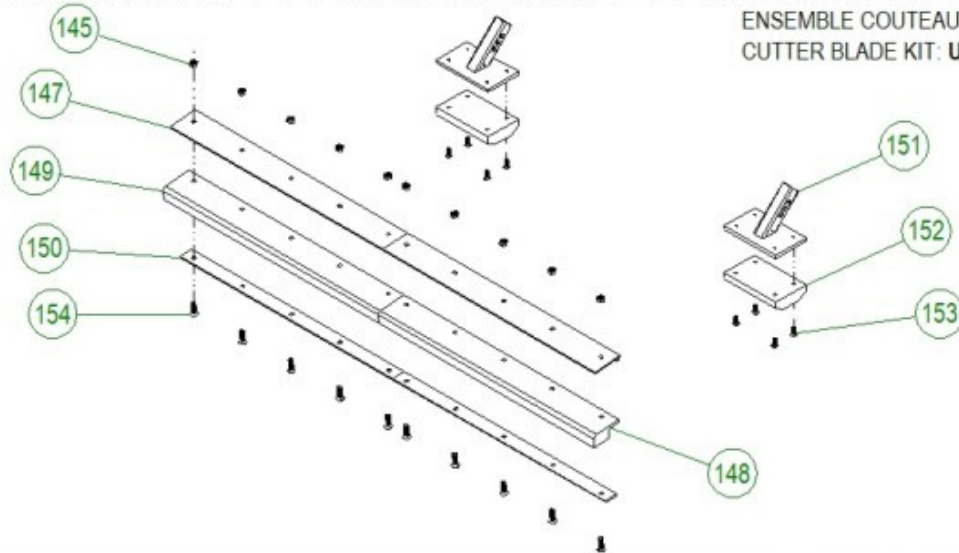
ENSEMBLE COUTEAUX: ACIER 450
CUTTER BLADE KIT: #450 HARDNESS STEEL



ENSEMBLE COUTEAUX: ACIER INOXYDABLE
CUTTER BLADE KIT: STAINLESS STEEL



ENSEMBLE COUTEAUX: UHMW
CUTTER BLADE KIT: UHMW



FRAME (MS-3086)

REF.	PART NO.	DESCRIPTION	QTE
1	83-57-0000	FRAME (MS 3086)	1
2	81-50-0100	3-POINTS HITCH (MS 28-30)	2
3	81-50-0090	STAND	1
4	NC14-75-0161	FLANGE BEARING	2
5	81-50-0080	SPIRAL (MS 2886-3086)	1
N/I	NC14-55-0275	80A34 X 1 1/2 4Ø 33/64 SPROCKET	1
6	81-50-0070	CHAIN GUARD	1
7	81-04-0010	FLANGE SUPPORT	1
8	NC14-75-0025	FLANGE BEARING	1
9	81-01-0927	CHAIN TENSIONER SUPPORT	1
10	81-50-0078	CHAIN TENSIONER (THREADED ROD)	1
11	81-21-0003	BUSHING	1
12	NC14-55-0292	SPROCKET	2
13	81-21-0002	BUSHING	1
14	81-21-0010	BUSHING	1
15	81-36-0600	SPROCKET	1
16	NC14-45-0147	HYDRAULIC MOTOR	1
17	80-01-7590	SUPPORT	1
18	48-42-0305	DUCT COLECTOR GUIDE (UNDER RIGHT)	1
19	48-42-0310	DUCT COLECTOR GUIDE (UNDER LEFT)	1
20	NC17-46-0025	DUCT COLECTOR GUIDE (UNDER)	4
21	48-42-0315	DUCT COLECTOR GUIDE (TOP RIGHT)	1
22	48-42-0320	DUCT COLECTOR GUIDE (TOP LEFT)	1
23	NC17-46-0026	DUCT COLECTOR GUIDE (TOP)	4
24	48-01-1167	BRACE	1
25	48-01-1165	BRACE	2
26	80-21-0007	BUSHING	6
27	48-50-1025	HYDRAULIC MOTOR SPROCKET	1
28	39-01-1105	WASHER	1
29	NC02-32-0010	LOCK WASHER Ø 1/4"	1
30	NC01-33-0005	HEX.BOLT 1/4"-20 X 7/8" LG (GRADE 8)	1
31	80-01-3000	GEAR GUARD	1
32	81-01-0920	PTO GUARD SUPPORT	1
33	81-57-0040	PTO GUARD	1
34	NC13-30-0237	CAPSULE WITH END CAP	1
35	83-50-0065	DRIVE SHAFT (MS 3086)	1
36	48-01-7530	HYDRAULIC HOSE SUPPORT	2
37	83-21-0000	BUSHING	4
38	83-50-0050	IMPELLER	1
39	83-50-0113	SNOW GUARD (RIGHT SECTION)	1
40	83-50-0111	SNOW GUARD (LEFT SECTION)	1
41	83-57-0035	CHAINE GUARD	1
42	NC02-32-0014	LOCK WASHER Ø 1/2"	7
43	NC01-25-0247	HEX.BOLT 1/2"-13 X 1" LG (GRADE 5)	4
44	83-41-0900	IMPELLER KEY 1/2" X 1/2" X 4"	1
45	81-01-0928	CHAIN TENSIONER SUPPORT	1
46	NC01-04-0109	CARR.BOLT 3/8"-16 X 1" LG (GRADE 2)	6
47	NC02-32-0012	LOCK WASHER Ø 3/8"	22
48	NC02-07-0018	HEX.NUT 3/8"-16	18
49	NC01-29-0402	HEX.BOLT 5/8"-18 X 3 1/2" LG (GRADE 5)	1
50	NC02-22-0013	FLAT WASHER 1 1/2" X Ø 5/8"	11
51	NC02-32-0016	LOCK WASHER Ø 5/8"	23
52	NC02-10-0022	HEX.NUT 5/8"-18	2
53	NC01-29-0404	HEX.BOLT 5/8"-18 X 4" LG (GRADE 5)	1
54	01-01-2485	FLAT WASHER 13/16" Dia. X Ø 25/64" X 14GA	23
55	NC01-17-0114	HEX.BOLT 3/8"-16 X 1" LG (GRADE2)	12

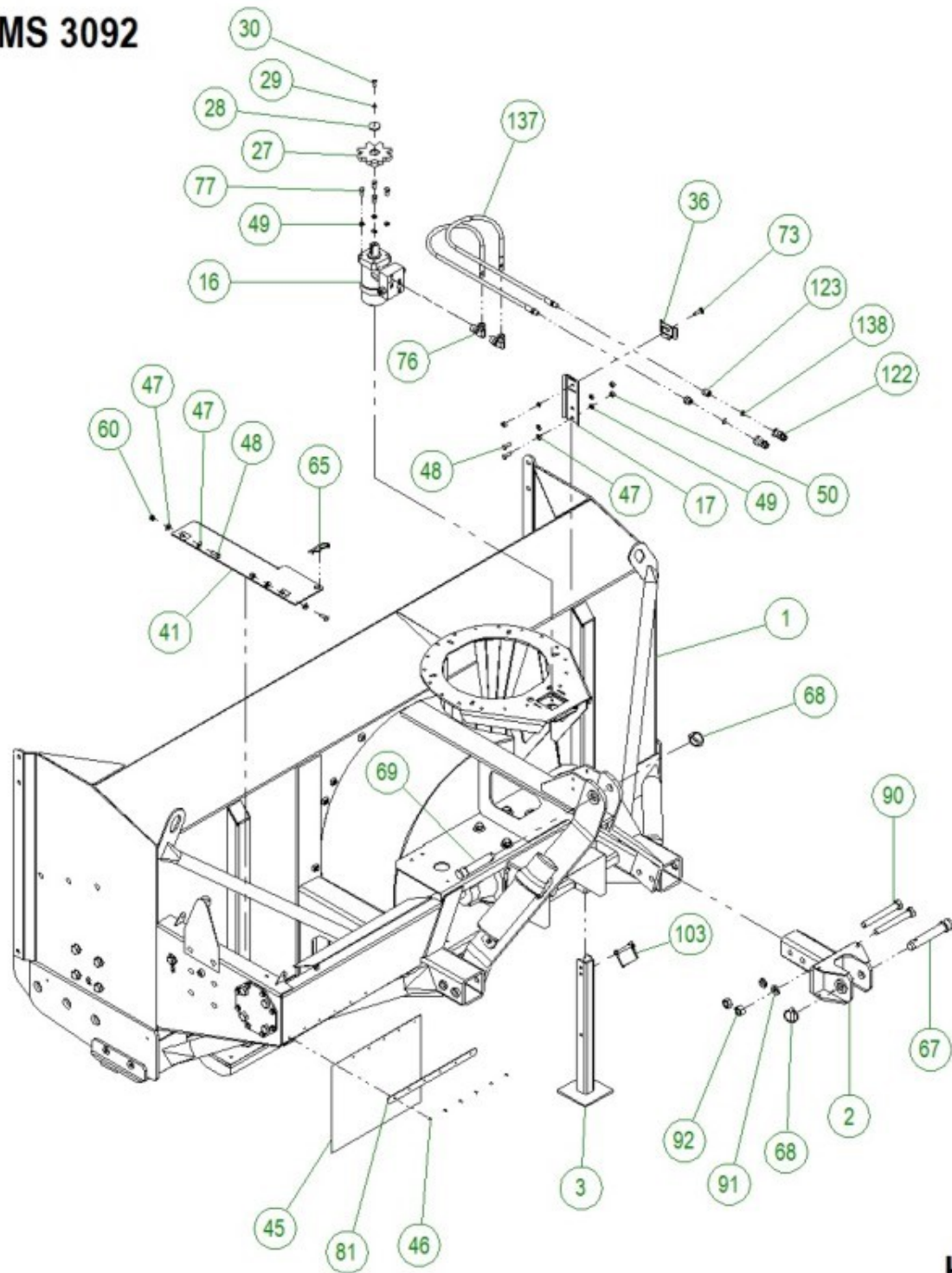
FRAME (MS-3086)

REF.	PART NO.	DESCRIPTION	QTE
56	NC01-17-0395	HEX. BOLT NC ZINC 5/8-11" X 1 3/4" (GRADE 2)	8
57	NC02-07-0022	HEX. NUT 5/8"-11	12
58	NC13-15-0300	SNOW GUARD	1
59	NC01-78-0016	ALUMINIUM RIVET 3/16" X 5/8" LG	6
60	NC01-96-0011	NYLON INSERT LOCKNUTS 3/8"-16	7
61	NC02-25-0011	FLAT WASHER Ø 17/32"	4
62	NC13-86-0149	SPRING	1
63	NC01-96-0014	NYLON INSERT LOCKNUTS 1/2"-13	2
64	80-42-0110	CAP	1
65	NC01-63-0026	HITCH PIN CLIPS 5/32" X 3" LG	3
66	49-20-0210	PIN	2
67	48-20-0065	HITCH PIN (CAT. 2)	2
68	NC01-69-1100	LINCHPIN 3/8" Dia.	3
69	48-20-0060	HITCH PIN (CAT. 2)	1
70	NC02-25-0007	FLAT WASHER 5/8" Dia. X Ø 9/32"	2
71	NC01-17-0007	HEX. BOLT GR2 NC ZINC 1/4"-20 X 1 1/4"	2
72	NC01-96-0009	NYLON INSERT LOCKNUTS 1/4"-20	2
73	NC01-04-0110	CARRIAGE BOLT 3/8"-16 X 1 1/4" LG (GRADE 2)	2
74	NC01-17-0118	HEX.BOLT 3/8"-16 X 2" LG (GRADE 2)	9
75	NC01-17-0122	HEX.BOLT 3/8"-16 X 3" LONG (GRADE 2)	6
76	NC13-45-0072	90° 7/8"-14 MALE SAE O RING X 3/8" FEM.TOUR.NPT	2
77	NC01-17-0112	HEX.BOLT 3/8"-16 X 3/4" LG (GRADE 2)	4
78	NC01-04-0107	CARR.BOLT 3/8"-16 X 3/4" LG (GRADE 2)	6
79	NC02-14-0019	FLANGE HEX. LOCKNUTS 3/8"-16 (GRADE B)	6
80	NC01-93-0011	STOP NUT 3/8"-16	22
81	81-01-0965	SPRING GUARD	1
82	80-01-1075	SNOW GUARD REINFORCEMENT	1
83	21-01-0950	FLAT WASHER 1.005" Dia. X Ø 25/64"	6
84	NC01-25-0249	HEX.BOLT 1/2"-13 X 1 1/2" LG (GRADE 5)	3
85	NC01-37-0269	HEX.BOLT 1/2"-20 X 6 1/2" LG (GRADE 8)	2
86	NC01-94-0013	LOCKNUTS 1/2-20	2
87	80-04-0185	WASHER	1
88	NC01-25-0395	HEX.BOLT 5/8"-11 X 1 3/4" LG (GRADE 5)	1
89	NC02-25-0013	FLAT WASHER 1 5/16" Dia. X Ø 21/32" X 3/32"	8
90	NC01-17-0396	BOLT HEX. 5/8"-11 X 2" LG (GRADE2)	4
91	NC01-33-0482	HEX. BOLT 3/4"-10 X 6" LG (GRADE 8)	4
92	NC02-32-0017	LOCK WASHER Ø 3/4"	4
93	NC02-07-0023	HEX.NUT 3/4"-10	4
94	NC01-17-0394	HEX. BOLT 5/8"-11 X 1 1/2" LONG (GRADE 2)	4
95	NC01-17-0400	HEX. BOLT 5/8"-11 X 3" LONG (GRADE 2)	4
96	80-41-0135	STEEL CABLE	1
97	NC01-64-0005	ALUMINUM OVAL SLEEVE	2
98	81-13-0400	PTO GUARD PIVOT	1
99	NC02-22-0008	FLAT WASHER Ø 5/16"	2
100	NC02-32-0011	LOCK WASHER Ø 5/16"	2
101	NC01-45-0184	METRIC BOLT 8MM X 20MM (GRADE 8.8)	2
102	NC01-63-0015	HITCH PIN CLIPS 1/8" X 2 5/8" LG	1
103	NC01-69-0785	GREASE FITTING 1/4"-28 (STRAIGHT)	10
104	NC01-69-1306	LOCK PIN 3/8" Dia. X 2 1/2" LG	1
105	NC01-25-0116	HEX. BOLT 3/8"-16 X 1 1/2" LG (GRADE 5)	7
106	83-37-1000	CHAIN	1
107	83-34-0030	PTO SHAFT T90 (540RPM)	1
108	NC14-10-0138	GEAR BOX	1
109	NC13-65-0003	BRASS ELBOW 90° 3/8 FEM. NPT X 3/8 MALE NPT	1
110	81-57-0300	BEFORE 05/2016 CHUTE (BOTTOM SECTION) (MS 28-30)	1
N/I	81-57-0301	AFTER 05/2016 CHUTE (BOTTOM SECTION) (MS 28-30)	1

FRAME (MS-3086)

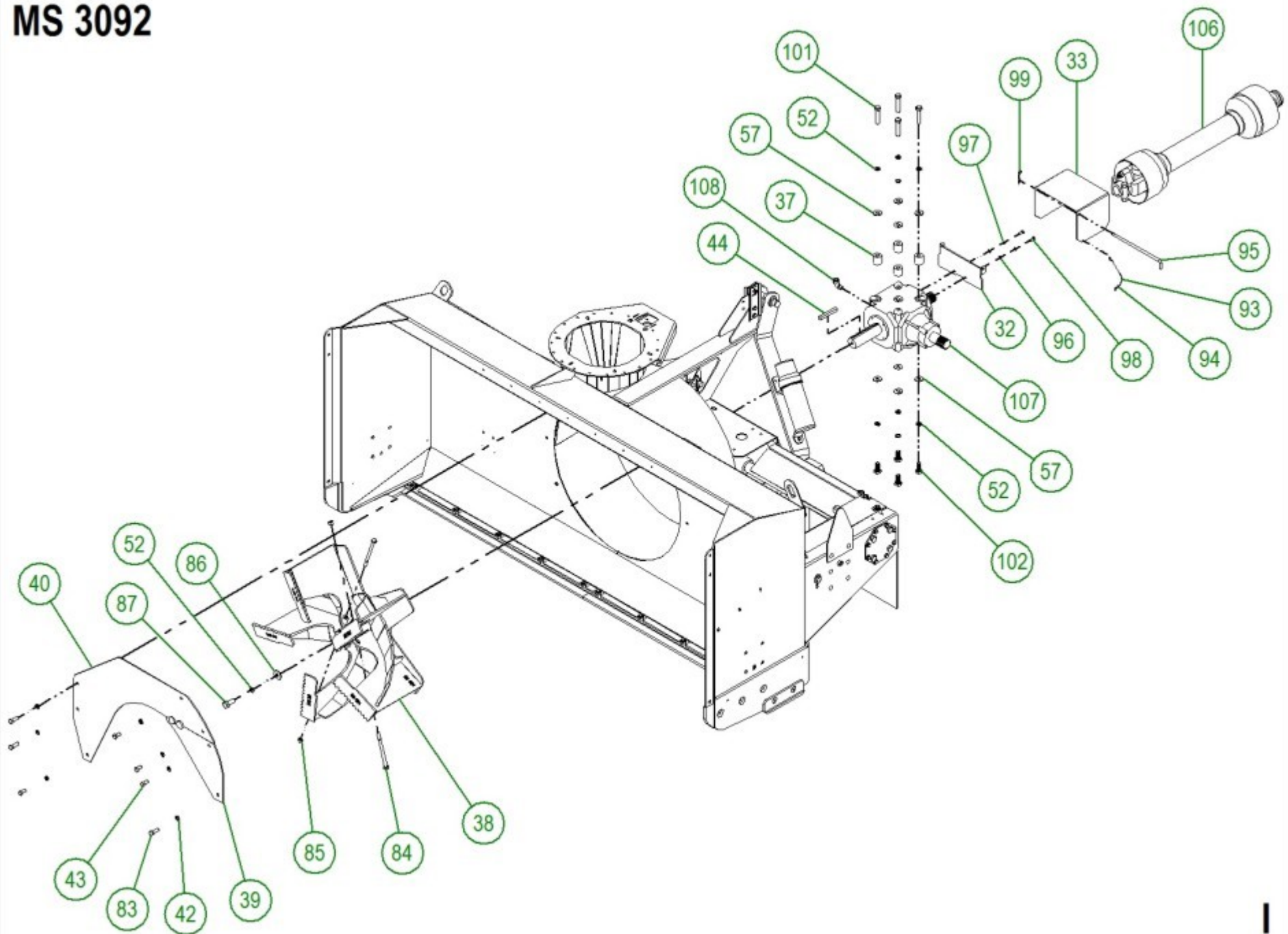
REF.	PART NO.	DESCRIPTION	QTE
111	81-57-0310	BEFORE 05/2016 CHUTE (MIDDEL SECTION) (MS 28-30)	1
N/I	81-57-0311	AFTER 05/2016 CHUTE (MIDDEL SECTION) (MS 28-30)	1
112	81-57-0320	BEFORE 05/2016 CHUTE (TOP SECTION) (MS 28-30)	1
N/I	81-57-0321	AFTER 05/2016 CHUTE (TOP SECTION) (MS 28-30)	1
113	NC13-45-0209	HYDRAULIC CYLINDER	1
114	NC01-67-0304	END LINK 3/8"-24	4
115	48-13-0600	CHUTE ROD	2
116	NC02-10-0018	HEX.NUT 3/8"-24	4
117	81-57-0360	BEFORE 05/2016 CHUTE DOOR (MS 28-30)	1
N/I	81-57-0352	AFTER 05/2016 CHUTE DOOR (MS 28-30)	1
118	NC17-46-0018	PLASTIC KNOB	1
119	NC01-17-0119	HEX.BOLT 3/8"-16 X 2 1/4" LG (GRADE 2)	1
120	NC13-80-0213	SPRING-LOCK	1
121	81-50-0340	BEFORE 05/2016 PIVOT (MS 28-30)	2
N/I	81-20-0250	AFTER 05/2016 PIVOT (MS 28-30)	2
122	NC13-45-0038	ELBOW 90° 3/8 FEM.NPT X 3/8 MALE NPT	2
123	NC13-45-0014	QUICK DISCON.COUPLER 1/2"-14 NPTF	4
124	NC13-45-0153	HEX.REDUCER 1/4 FEM. NPT X 1/2 MÅLE NPT	4
125	NC17-02-0347	HYDRAULIC HOSE (111" LG)	2
126	32-21-0010	HYDRAULIC RESTRICTOR	2
127	NC01-07-0113	CARR.BOLT 3/8"-16 X 2" LONG (GRADE 5)	2
128	NC01-25-0117	HEX. BOLT GR5 NC ZINC 3/8"-16 X 1 3/4"	2
129	NC01-69-0139	SPLIT PIN 1/8" X 3/4"	2
130	NC01-54-0110	BOLT 3/16 X 3/4 (STANLESS STEEL)	4
131	NC01-96-0006	NYLON INSERT LOCKNUTS 10-24	4
132	48-50-1030	HYDRAULIC HOSE SUPPORT	1
133	80-01-1040	CHUTE SUPPORT	3
134	80-21-0005	BUSHING	3
135	NC17-46-0006	BLACK UHMW WHEEL	3
136	NC02-45-0634	ALLEN SET SCREW M10 X 1.5 PITCH X 30MM (STAINLESS)	3
137	NC02-14-0727	HEX. THIN NUT M10 X 1.5 PITCH (STAINLESS)	3
138	NC17-02-0328	HYDRAULIC HOSE (63" LG)	2
139	32-21-0010	HYDRAULIC RESTRICTOR	2
140	80-50-0085	LATERAL SKATE (#450 HARDNESS STEEL)	2
141	81-20-0450	KNIFE (QT-450) (MS 2886-3086)	2
142	81-50-0055	AJUSTABLE SKATE (#450 HARDNESS STEEL)	2
143	NC01-09-0039	PLOW BOLT NC.Z 5/8-11" X 1 1/2 "(GRADE 5)	10
144	NC02-48-0052	FLAT HEAD SOCKET CAP SCEW T.FRA 5/8-11" X 1 1/4"	4
145	NC01-93-0016	STOP NUT 5/8"-11	10
146	81-20-0150	KNIFE (STAINLESS STEEL) (MS 2886)	2
147	81-50-0200	REINFORCING KNIFE (TOP)	2
148	81-42-0100	RIGHT KNIFE (UHMW)	1
149	81-42-0101	LEFT KNIFE (UHMW)	1
150	81-04-0355	REINFORCING KNIFE (UNDER)	2
151	80-50-0057	ADJUSTABLE SKATE FOR SOLE IN (UHMW)	2
152	80-42-0125	SOLE (UHMW)	2
153	NC02-48-0545	FLAT HEAD SOCKET CAP SREWS 1/2"-13 X 1 1/4" LG (STAINLESS STEEL)	8
154	NC02-48-0564	FLAT HEAD SOCKET CAP SREWS 5/8"-11 X 2" LG (STAINLESS STEEL)	10
155	80-50-0087	LATERAL SKATE (STANLESS STEEL)	2
156	81-50-0058	AJUSTABLE SKATE (STAINLESS STEEL)	2

MS 3092

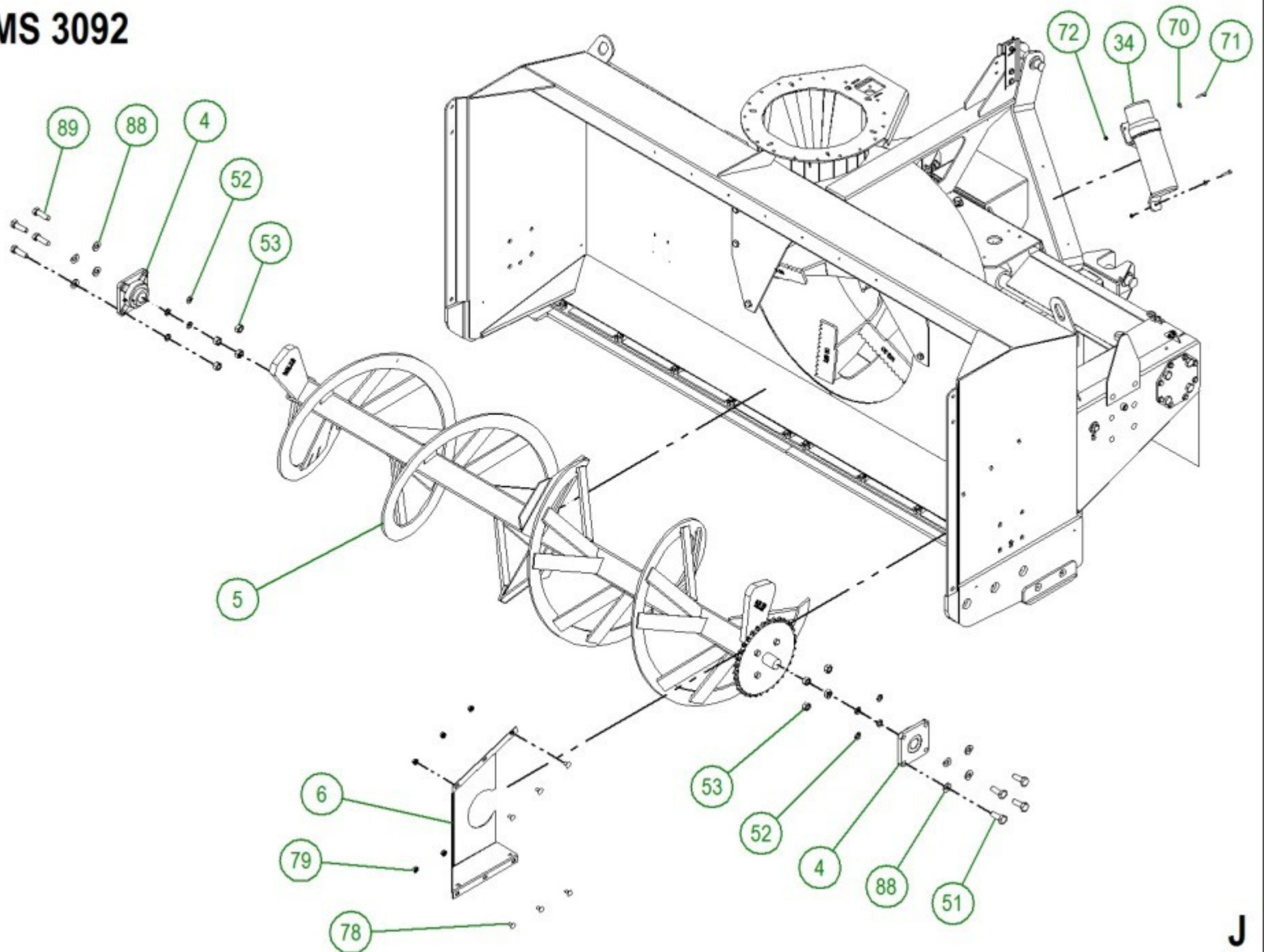


H

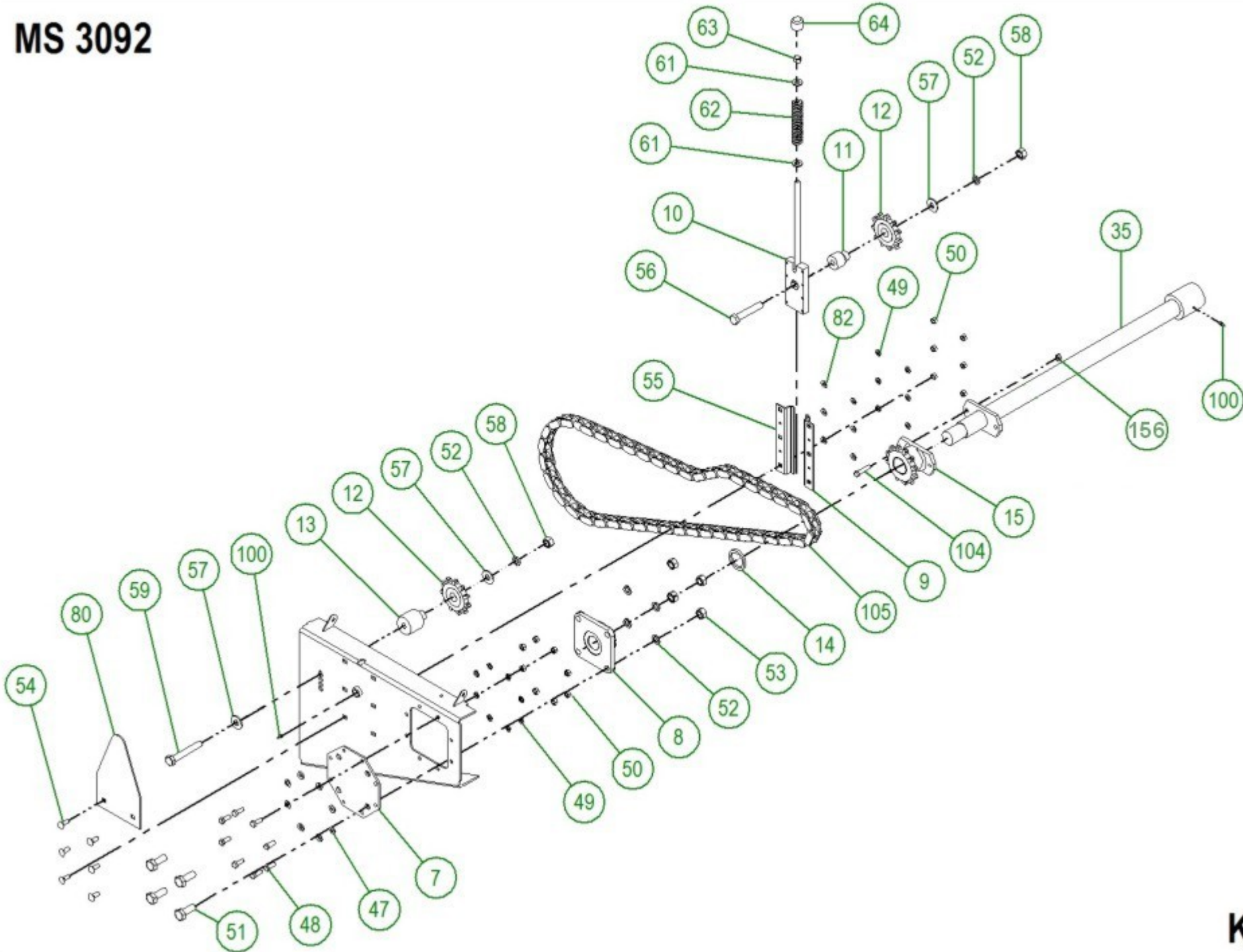
MS 3092



MS 3092

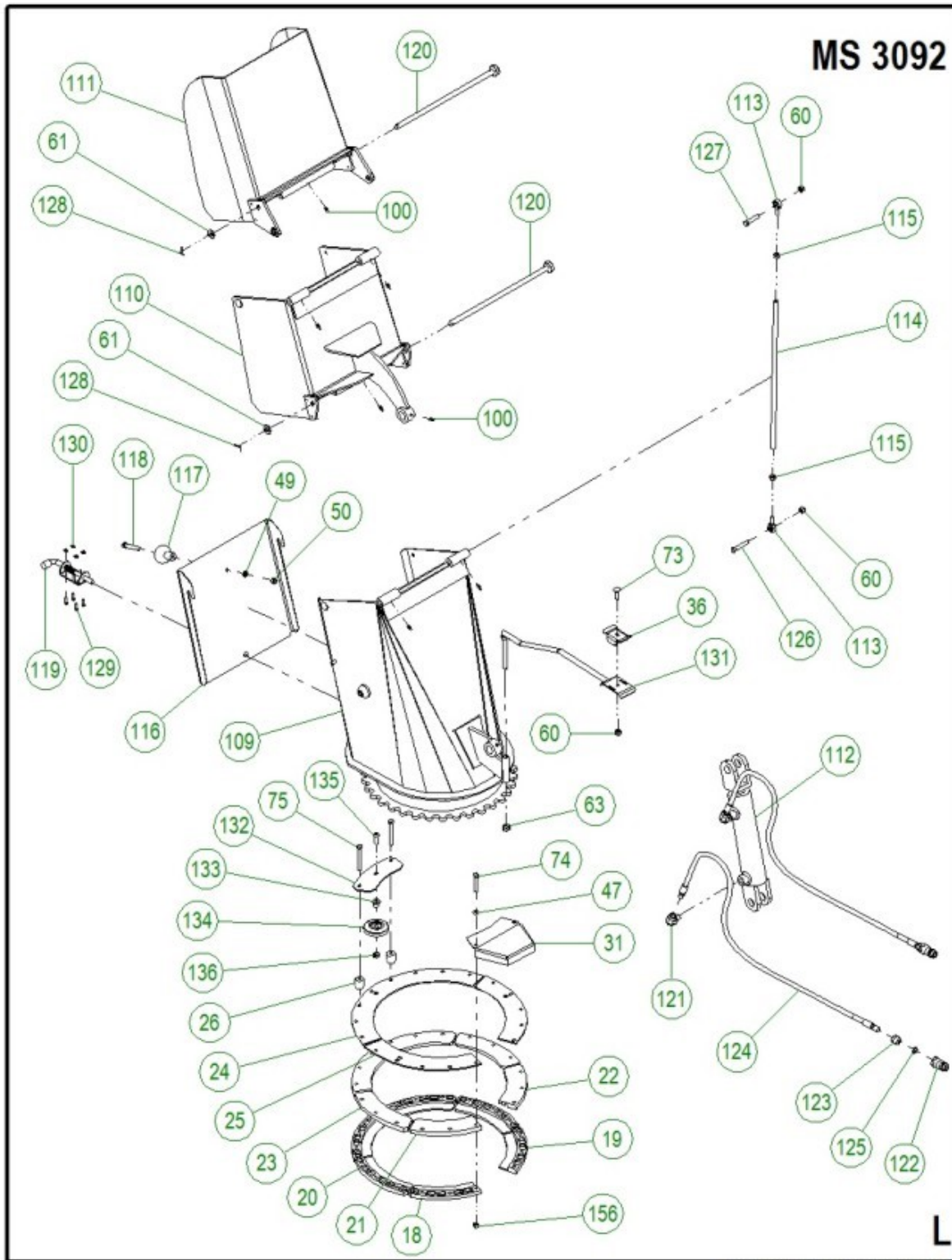


MS 3092



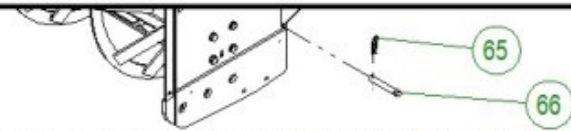
K

MS 3092

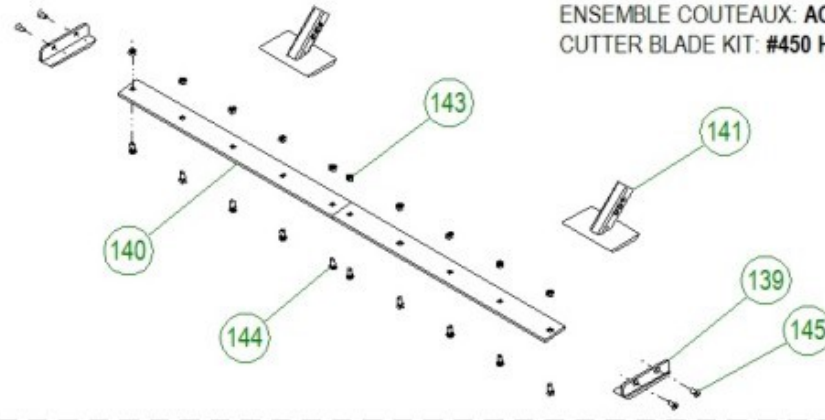


L

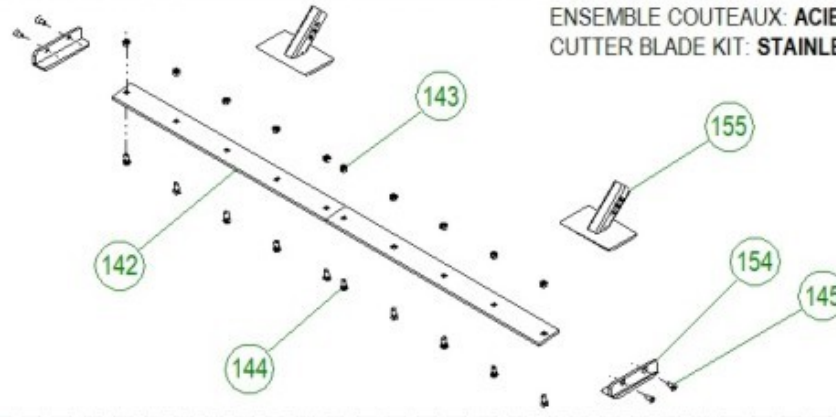
MS 3092



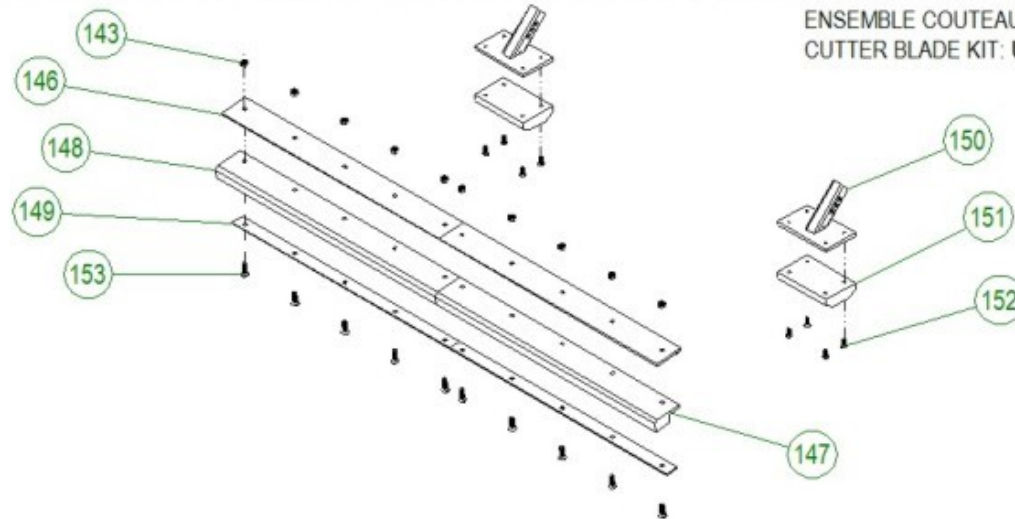
ENSEMBLE COUTEAUX: ACIER 450
CUTTER BLADE KIT: #450 HARDNESS STEEL



ENSEMBLE COUTEAUX: ACIER INOXYDABLE
CUTTER BLADE KIT: STAINLESS STEEL



ENSEMBLE COUTEAUX: UHMW
CUTTER BLADE KIT: UHMW



M

FRAME (MS-3092)

REF.	PART NO.	DESCRIPTION	QTE
1	83-57-0500	FRAME (MS 3092)	1
2	81-50-0100	3-POINTS HITCH (MS 28-30)	2
3	81-50-0090	STAND	1
4	NC14-75-0161	FLANGE BEARING	2
5	81-50-0580	SPIRAL (MS 2892-3092)	1
N/I	NC14-55-0275	80A34 X 1 1/2 4Ø 33/64 SPROCKET	1
6	81-50-0070	CHAIN GUARD	1
7	81-04-0010	FLANGE SUPPORT	1
8	NC14-75-0025	FLANGE BEARING	1
9	81-01-0927	CHAIN TENSIONER SUPPORT	1
10	81-50-0078	CHAIN TENSIONER (THREADED ROD)	1
11	81-21-0003	BUSHING	1
12	NC14-55-0292	SPROCKET	2
13	81-21-0002	BUSHING	1
14	81-21-0010	BUSHING	1
15	81-36-0600	SPROCKET	1
16	NC14-45-0147	HYDRAULIC MOTOR	1
17	80-01-7590	SUPPORT	1
18	48-42-0305	DUCT COLECTOR GUIDE (UNDER RIGHT)	1
19	48-42-0310	DUCT COLECTOR GUIDE (UNDER LEFT)	1
20	NC17-46-0025	DUCT COLECTOR GUIDE (UNDER)	4
21	48-42-0315	DUCT COLECTOR GUIDE (TOP RIGHT)	1
22	48-42-0320	DUCT COLECTOR GUIDE (TOP LEFT)	1
23	NC17-46-0026	DUCT COLECTOR GUIDE (TOP)	4
24	48-01-1167	BRACE	1
25	48-01-1165	BRACE	2
26	80-21-0007	BUSHING	6
27	48-50-1025	HYDRAULIC MOTOR SPROCKET	1
28	39-01-1105	WASHER	1
29	NC02-32-0010	LOCK WASHER Ø 1/4"	1
30	NC01-33-0005	HEX.BOLT 1/4"-20 X 7/8" LG (GRADE 8)	1
31	80-01-3000	GEAR GUARD	1
32	81-01-0920	PTO GUARD SUPPORT	1
33	81-57-0040	PTO GUARD	1
34	NC13-30-0237	CAPSULE WITH END CAP	1
35	83-50-0565	DRIVE SHAFT (MS 3092)	1
36	48-01-7530	HYDRAULIC HOSE SUPPORT	2
37	83-21-0000	BUSHING	4
38	83-50-0050	IMPELLER	1
39	83-50-0113	SNOW GUARD (RIGHT SECTION)	1
40	83-50-0111	SNOW GUARD (LEFT SECTION)	1
41	83-57-0035	CHAIINE GUARD	1
42	NC02-32-0014	LOCK WASHER Ø 1/2"	7
43	NC01-25-0247	HEX.BOLT 1/2"-13 X 1" LG (GRADE 5)	4
44	83-41-0900	IMPELLER KEY 1/2" X 1/2" X 4"	1
45	NC13-15-0300	SNOW GUARD	1
46	NC01-78-0016	ALUMINIUM RIVET 3/16" X 5/8" LG	6
47	01-01-2485	FLAT WASHER 13/16" Dia. X Ø 25/64" X 14GA	23
48	NC01-17-0114	HEX.BOLT 3/8"-16 X 1" LG (GRADE2)	12
49	NC02-32-0012	LOCK WASHER Ø 3/8"	22
50	NC02-07-0018	HEX.NUT 3/8"-16	18
51	NC01-17-0395	HEX. BOLT NC ZINC 5/8-11" X 1 3/4" (GRADE 2)	8
52	NC02-32-0016	LOCK WASHER Ø 5/8"	23
53	NC02-07-0022	HEX. NUT 5/8"-11	12
54	NC01-04-0109	CARR.BOLT 3/8"-16 X 1" LG (GRADE 2)	6
55	81-01-0928	CHAIN TENSIONER SUPPORT	1

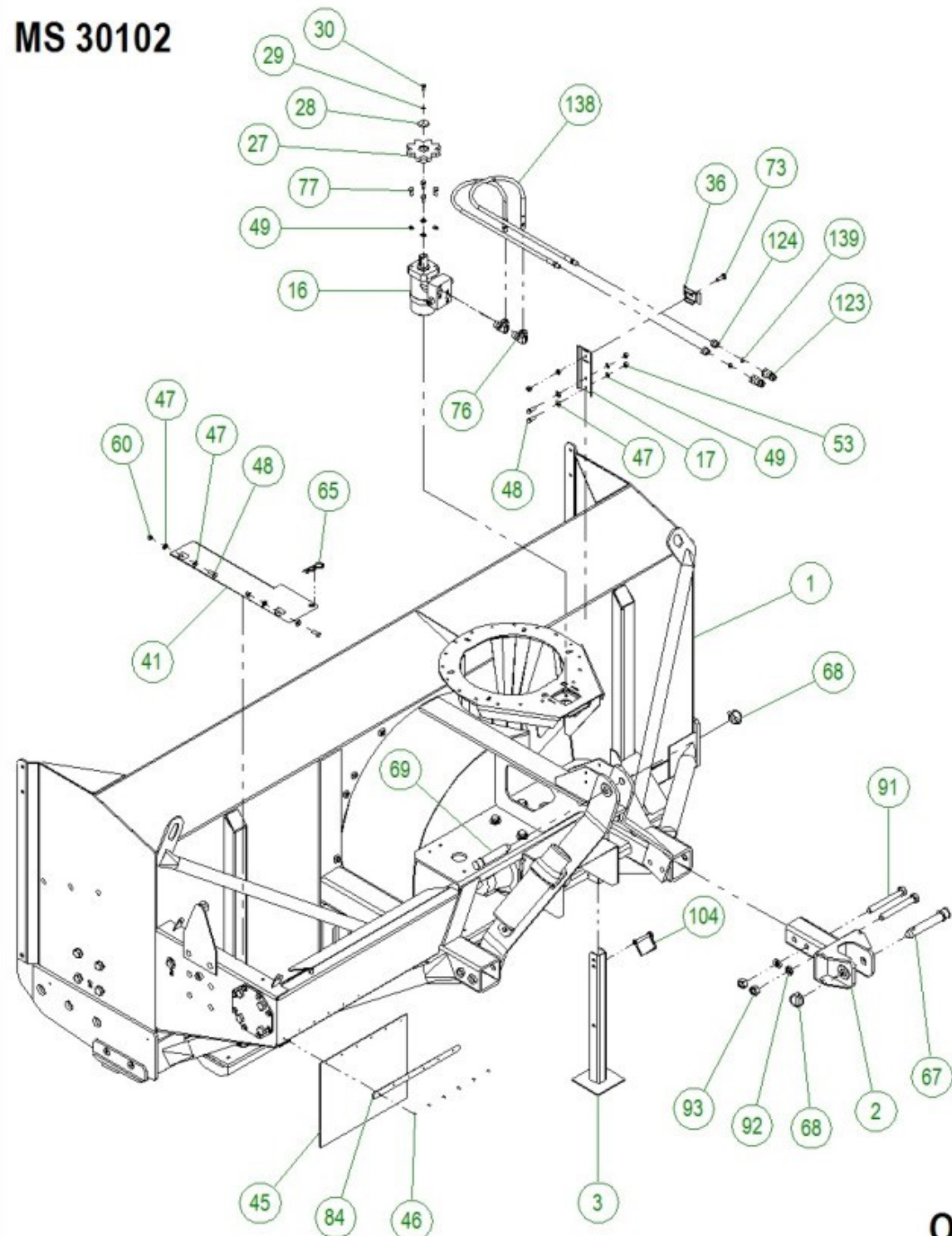
FRAME (MS-3092)

REF.	PART NO.	DESCRIPTION	QTE
56	NC01-29-0402	HEX.BOLT 5/8"-18 X 3 1/2" LG (GRADE 5)	1
57	NC02-22-0013	FLAT WASHER 1 1/2" X Ø 5/8"	11
58	NC02-10-0022	HEX.NUT 5/8"-18	2
59	NC01-29-0404	HEX.BOLT 5/8"-18 X 4" LG (GRADE 5)	1
60	NC01-96-0011	NYLON INSERT LOCKNUTS 3/8"-16	7
61	NC02-25-0011	FLAT WASHER Ø 17/32"	4
62	NC13-86-0149	SPRING	1
63	NC01-96-0014	NYLON INSERT LOCKNUTS 1/2"-13	2
64	80-42-0110	CAP	1
65	NC01-63-0026	HITCH PIN CLIPS 5/32" X 3" LG	3
66	49-20-0210	PIN	2
67	48-20-0065	HITCH PIN (CAT. 2)	2
68	NC01-69-1100	LINCHPIN 3/8" Dia.	3
69	48-20-0060	HITCH PIN (CAT. 2)	1
70	NC02-25-0007	FLAT WASHER 5/8" Dia. X Ø 9/32"	2
71	NC01-17-0007	HEX. BOLT GR2 NC ZINC 1/4"-20 X 1 1/4"	2
72	NC01-96-0009	NYLON INSERT LOCKNUTS 1/4"-20	2
73	NC01-04-0110	CARRIAGE BOLT 3/8"-16 X 1 1/4" LG (GRADE 2)	2
74	NC01-17-0118	HEX.BOLT 3/8"-16 X 2" LG (GRADE 2)	9
75	NC01-17-0122	HEX.BOLT 3/8"-16 X 3" LONG (GRADE 2)	6
76	NC13-45-0072	90° 7/8"-14 MALE SAE O RING X 3/8" FEM.TOUR.NPT	2
77	NC01-17-0112	HEX.BOLT 3/8"-16 X 3/4" LG (GRADE 2)	4
78	NC01-04-0107	CARR.BOLT 3/8"-16 X 3/4" LG (GRADE 2)	6
79	NC02-14-0019	FLANGE HEX. LOCKNUTS 3/8"-16 (GRADE B)	6
80	81-01-0965	SPRING GUARD	1
81	80-01-1075	SNOW GUARD REINFORCEMENT	1
82	21-01-0950	FLAT WASHER 1.005" Dia. X Ø 25/64"	6
83	NC01-25-0249	HEX.BOLT 1/2"-13 X 1 1/2" LG (GRADE 5)	3
84	NC01-37-0269	HEX.BOLT 1/2"-20 X 6 1/2" LG (GRADE 8)	2
85	NC01-94-0013	LOCKNUTS 1/2-20	2
86	80-04-0185	WASHER	1
87	NC01-25-0395	HEX.BOLT 5/8"-11 X 1 3/4" LG (GRADE 5)	1
88	NC02-25-0013	FLAT WASHER 1 5/16" Dia. X Ø 21/32" X 3/32"	8
89	NC01-17-0396	BOLT HEX. 5/8"-11 X 2" LG (GRADE2)	4
90	NC01-33-0482	HEX. BOLT 3/4"-10 X 6" LG (GRADE 8)	4
91	NC02-32-0017	LOCK WASHER Ø 3/4"	4
92	NC02-07-0023	HEX.NUT 3/4"-10	4
93	80-41-0135	STEEL CABLE	1
94	NC01-64-0005	ALUMINUM OVAL SLEEVE	2
95	81-13-0400	PTO GUARD PIVOT	1
96	NC02-22-0008	FLAT WASHER Ø 5/16"	2
97	NC02-32-0011	LOCK WASHER Ø 5/16"	2
98	NC01-45-0184	METRIC BOLT 8MM X 20MM (GRADE 8.8)	2
99	NC01-63-0015	HITCH PIN CLIPS 1/8" X 2 5/8" LG	1
100	NC01-69-0785	GREASE FITTING 1/4"-28 (STRAIGHT)	10
101	NC01-17-0400	HEX. BOLT 5/8"-11 X 3" LONG (GRADE 2)	4
102	NC01-17-0394	HEX. BOLT 5/8"-11 X 1 1/2" LONG (GRADE 2)	4
103	NC01-69-1306	LOCK PIN 3/8" Dia. X 2 1/2" LG	1
104	NC01-25-0116	HEX. BOLT 3/8"-16 X 1 1/2" LG (GRADE 5)	7
105	83-37-1000	CHAIN	1
106	83-34-0030	PTO SHAFT T90 (540RPM)	1
107	NC14-10-0138	GEAR BOX	1
108	NC13-65-0003	BRASS ELBOW 90° 3/8 FEM. NPT X 3/8 MALE NPT	1
109	81-57-0300	BEFORE 05/2016 CHUTE (BOTTOM SECTION) (MS 28-30)	1
N/I	81-57-0301	AFTER 05/2016 CHUTE (BOTTOM SECTION) (MS 28-30)	1
110	81-57-0310	BEFORE 05/2016 CHUTE (MIDDEL SECTION) (MS 28-30)	1

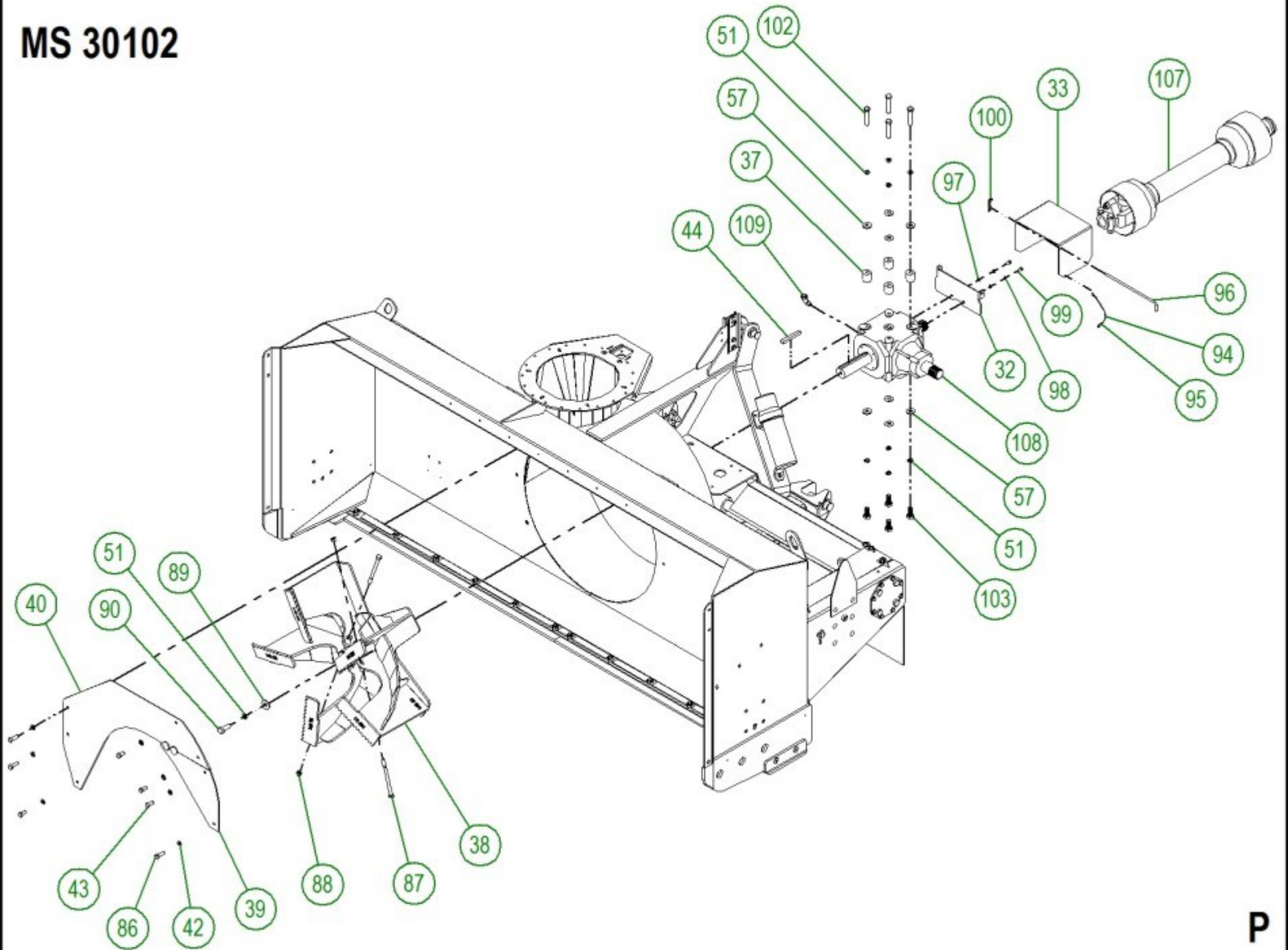
FRAME (MS-3092)

REF.	PART NO.	DESCRIPTION	QTE
N/I	81-57-0311	AFTER 05/2016 CHUTE (MIDDEL SECTION) (MS 28-30)	1
111	81-57-0320	BEFORE 05/2016 CHUTE (TOP SECTION) (MS 28-30)	1
N/I	81-57-0321	AFTER 05/2016 CHUTE (TOP SECTION) (MS 28-30)	1
112	NC13-45-0209	HYDRAULIC CYLINDER	1
113	NC01-67-0304	END LINK 3/8"-24	4
114	48-13-0600	CHUTE ROD	2
115	NC02-10-0018	HEX.NUT 3/8"-24	4
116	81-57-0360	BEFORE 05/2016 CHUTE DOOR (MS 28-30)	1
N/I	81-57-0352	AFTER 05/2016 CHUTE DOOR (MS 28-30)	1
117	NC17-46-0018	PLASTIC KNOB	1
118	NC01-17-0119	HEX.BOLT 3/8"-16 X 2 1/4" LG (GRADE 2)	1
119	NC13-80-0213	SPRING-LOCK	1
120	81-50-0340	BEFORE 05/2016 PIVOT (MS 28-30)	2
N/I	81-20-0250	AFTER 05/2016 PIVOT (MS 28-30)	2
121	NC13-45-0038	ELBOW 90° 3/8 FEM.NPT X 3/8 MALE NPT	2
122	NC13-45-0014	QUICK DISCON.COUPLER 1/2"-14 NPTF	4
123	NC13-45-0153	HEX.REDUCER 1/4 FEM. NPT X 1/2 MÅLE NPT	4
124	NC17-02-0347	HYDRAULIC HOSE (111" LG)	2
125	32-21-0010	HYDRAULIC RESTRICTOR	2
126	NC01-07-0113	CARR.BOLT 3/8"-16 X 2" LONG (GRADE 5)	2
127	NC01-25-0117	HEX. BOLT GR5 NC ZINC 3/8"-16 X 1 3/4"	2
128	NC01-69-0139	SPLIT PIN 1/8" X 3/4"	2
129	NC01-54-0110	BOLT 3/16 X 3/4 (STANLESS STEEL)	4
130	NC01-96-0006	NYLON INSERT LOCKNUTS 10-24	4
131	48-50-1030	HYDRAULIC HOSE SUPPORT	1
132	80-01-1040	CHUTE SUPPORT	3
133	80-21-0005	BUSHING	3
134	NC17-46-0006	BLACK UHMW WHEEL	3
135	NC02-45-0634	ALLEN SET SCREW M10 X 1.5 PITCH X 30MM (STAINLESS)	3
136	NC02-14-0727	HEX. THIN NUT M10 X 1.5 PITCH (STAINLESS)	3
137	NC17-02-0328	HYDRAULIC HOSE (63" LG)	2
138	32-21-0010	HYDRAULIC RESTRICTOR	2
139	80-50-0085	LATERAL SKATE (#450 HARDNESS STEEL)	2
140	81-20-0455	KNIFE (QT-450) (MS 2892-3092)	2
141	81-50-0055	AJUSTABLE SKATE (#450 HARDNESS STEEL)	2
142	81-20-0155	KNIFE (STAINLESS STEEL) (MS 2892)	2
143	NC01-93-0016	STOP NUT 5/8"-11	10
144	NC01-09-0039	PLOW BOLT NC.Z 5/8-11" X 1 1/2 "(GRADE 5)	10
145	NC02-48-0052	FLAT HEAD SOCKET CAP SCEW T.FRA 5/8-11" X 1 1/4"	4
146	81-50-0700	REINFORCING KNIFE (TOP)	2
147	81-42-0105	RIGHT KNIFE (UHMW)	1
148	81-42-0106	LEFT KNIFE (UHMW)	1
149	81-04-0350	REINFORCING KNIFE (UNDER)	2
150	80-50-0057	ADJUSTABLE SKATE FOR SOLE IN (UHMW)	2
151	80-42-0125	SOLE (UHMW)	2
152	NC02-48-0545	FLAT HEAD SOCKET CAP SREWS 1/2"-13 X 1 1/4" LG (STAINLESS STEEL)	8
153	NC02-48-0564	FLAT HEAD SOCKET CAP SREWS 5/8"-11 X 2" LG (STAINLESS STEEL)	10
154	80-50-0087	LATERAL SKATE (STANLESS STEEL)	2
155	81-50-0058	AJUSTABLE SKATE (STAINLESS STEEL)	2
156	NC01-93-0011	STOP NUT 3/8"-16	22

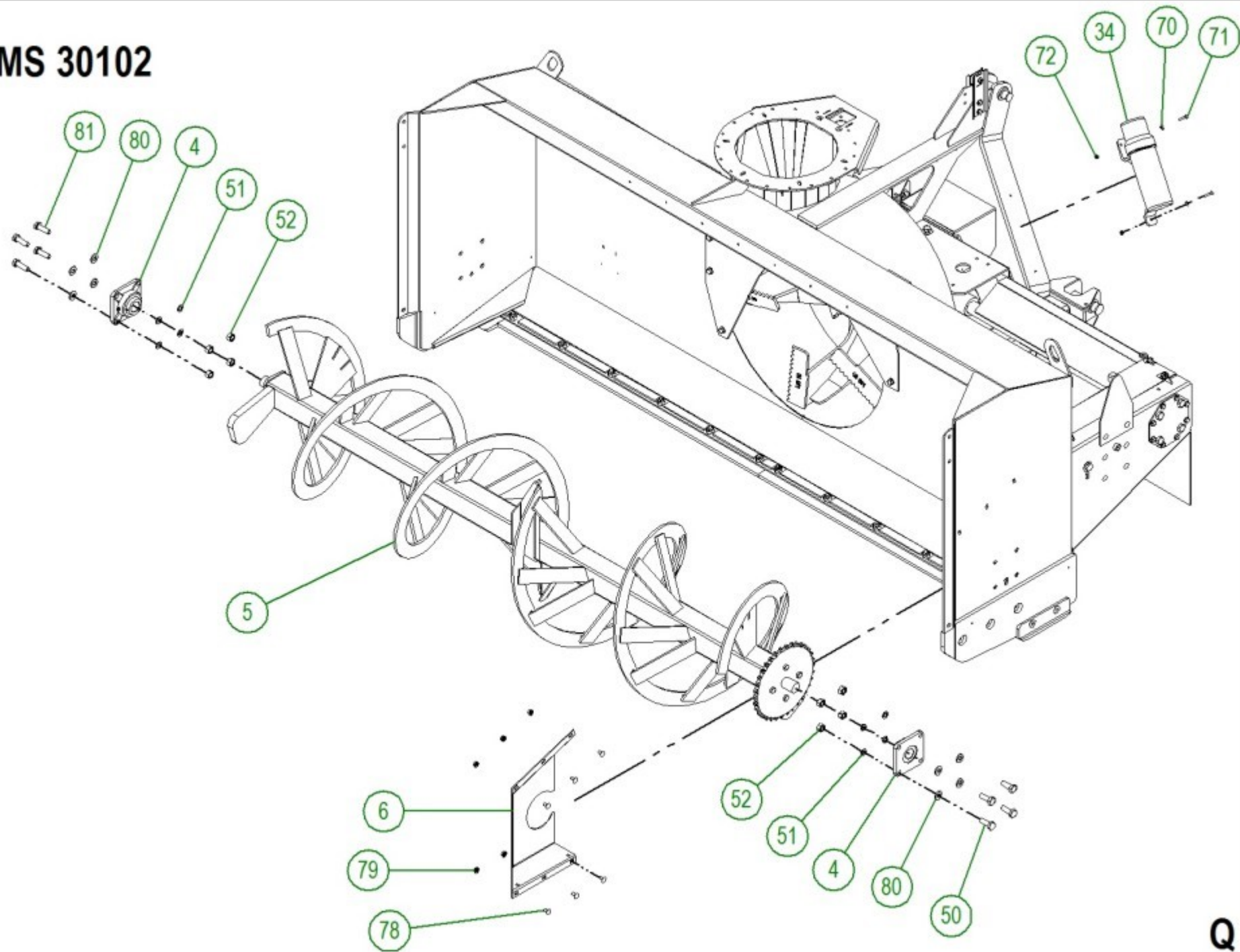
MS 30102



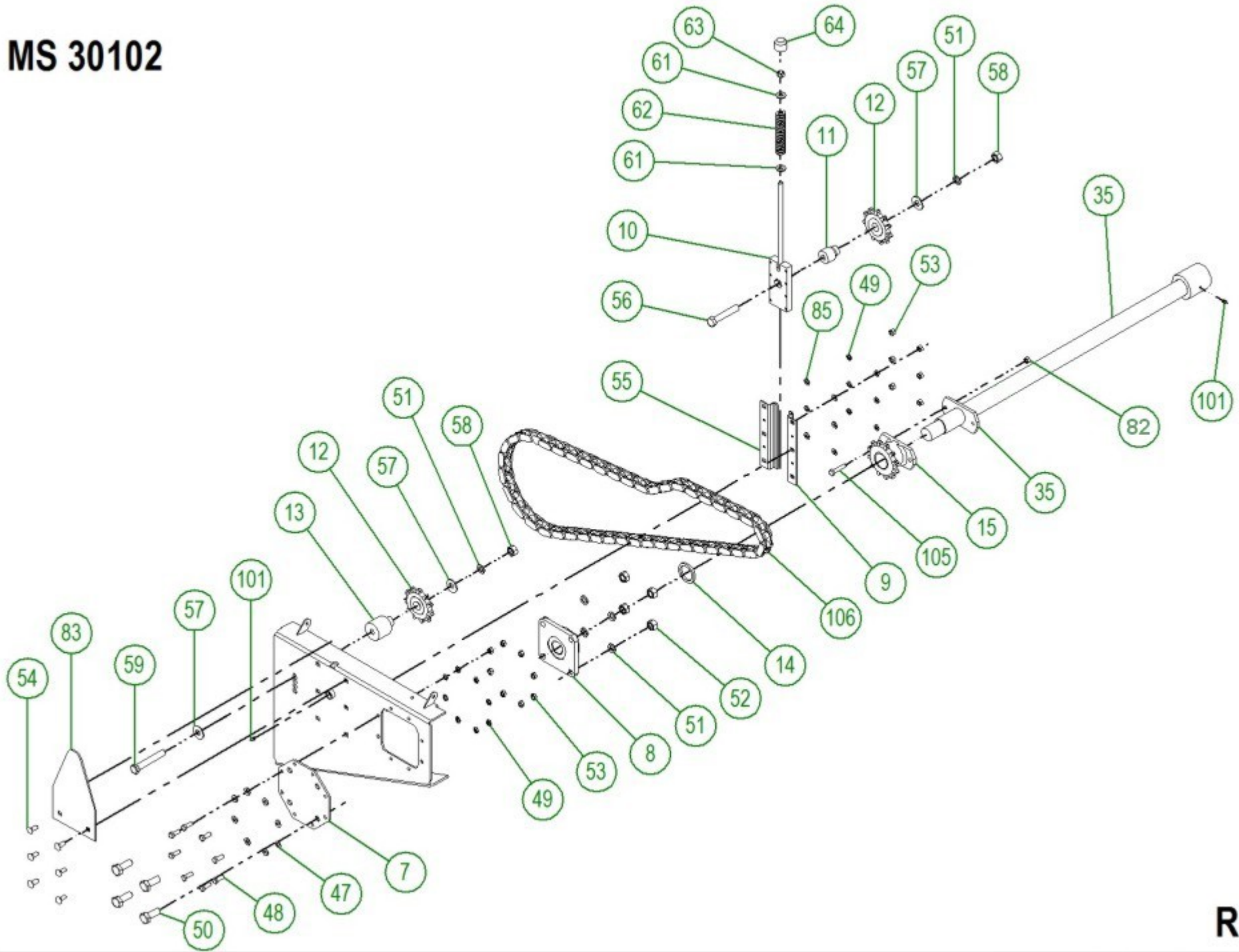
MS 30102



MS 30102

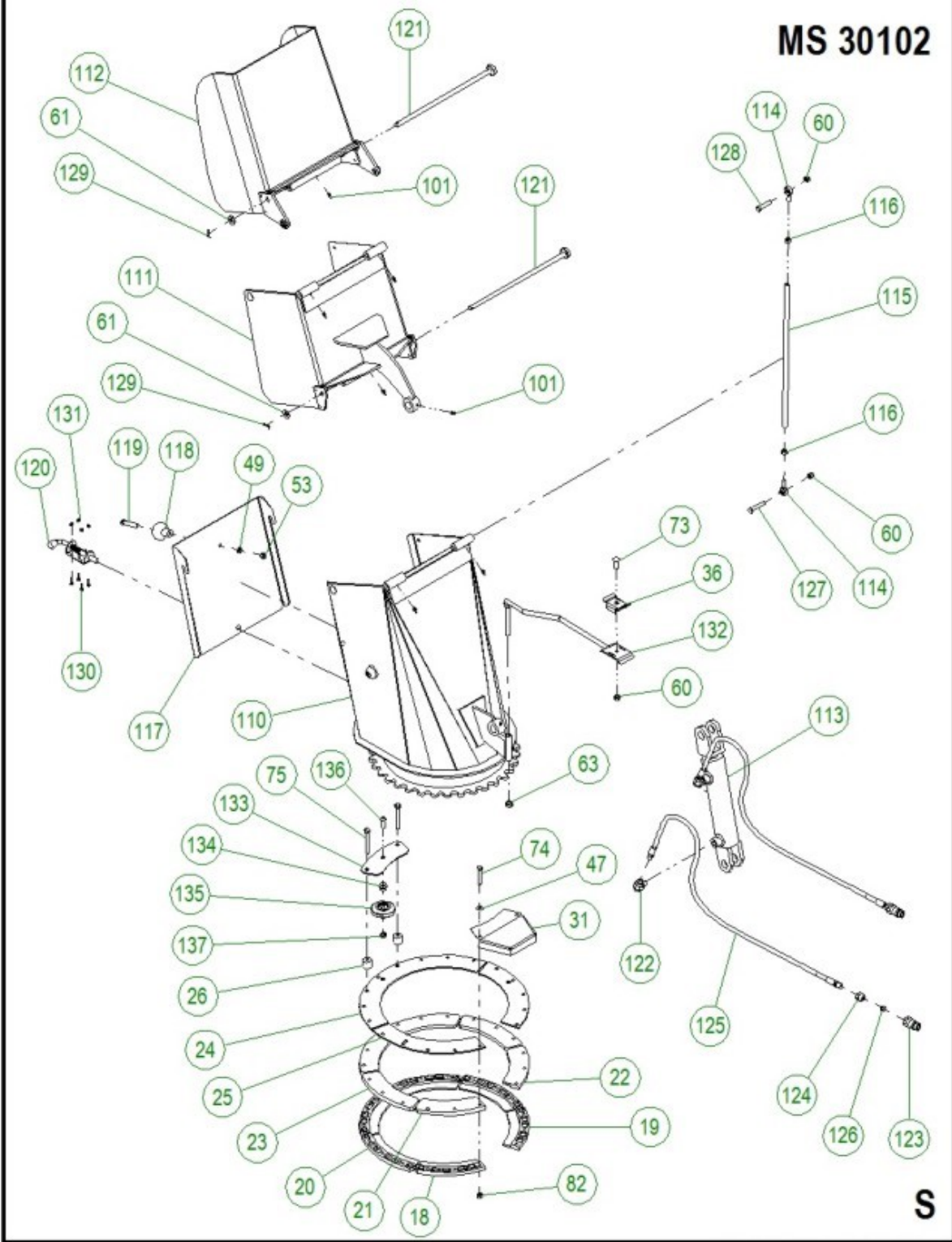


MS 30102

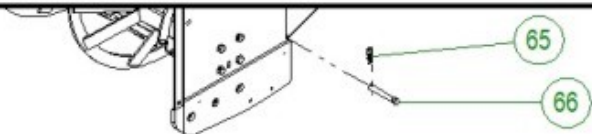


R

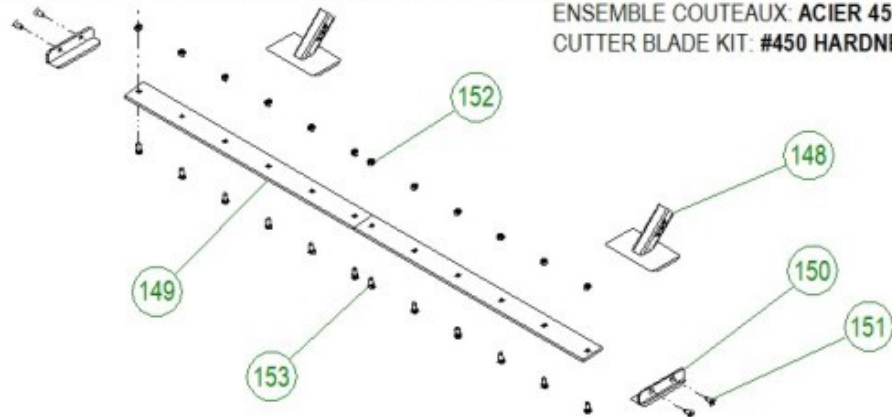
MS 30102



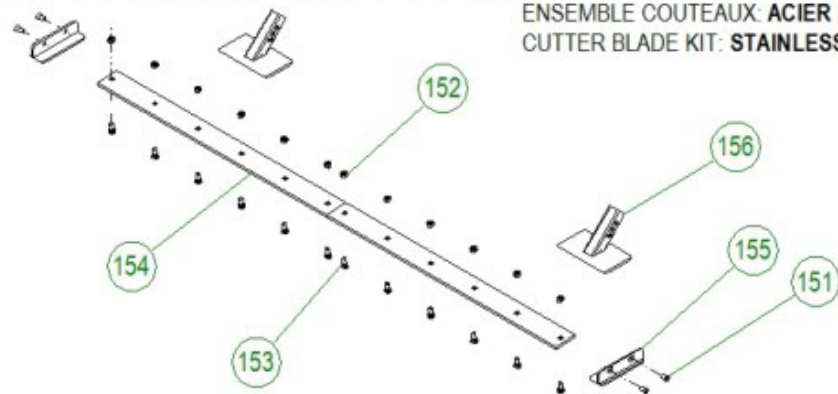
MS 30102



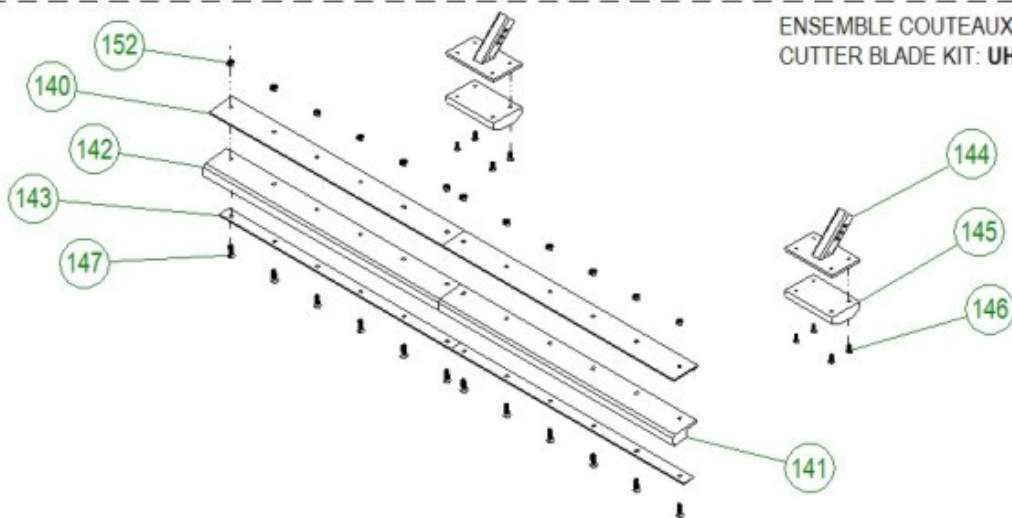
ENSEMBLE COUTEAUX: ACIER 450
CUTTER BLADE KIT: #450 HARDNESS STEEL



ENSEMBLE COUTEAUX: ACIER INOXYDABLE
CUTTER BLADE KIT: STAINLESS STEEL



ENSEMBLE COUTEAUX: UHMW
CUTTER BLADE KIT: UHMW



FRAME (MS-30102)

REF.	PART NO.	DESCRIPTION	QTE
1	83-57-1000	FRAME (MS 30102)	1
2	81-50-0100	3-POINTS HITCH (MS 28-30)	2
3	81-50-0090	STAND	1
4	NC14-75-0161	FLANGE BEARING	2
5	83-50-1080	SPIRAL (MS 30102)	1
N/I	NC14-55-0275	80A34 X 1 1/2 4Ø 33/64 SPROCKET	1
6	81-50-0070	CHAIN GUARD	1
7	81-04-0010	FLANGE SUPPORT	1
8	NC14-75-0025	FLANGE BEARING	1
9	81-01-0927	CHAIN TENSIONER SUPPORT	1
10	81-50-0078	CHAIN TENSIONER (THREADED ROD)	1
11	81-21-0003	BUSHING	1
12	NC14-55-0292	SPROCKET	2
13	81-21-0002	BUSHING	1
14	81-21-0010	BUSHING	1
15	81-36-0600	SPROCKET	1
16	NC14-45-0147	HYDRAULIC MOTOR	1
17	80-01-7590	SUPPORT	1
18	48-42-0305	DUCT COLECTOR GUIDE (UNDER RIGHT)	1
19	48-42-0310	DUCT COLECTOR GUIDE (UNDER LEFT)	1
20	NC17-46-0025	DUCT COLECTOR GUIDE (UNDER)	4
21	48-42-0315	DUCT COLECTOR GUIDE (TOP RIGHT)	1
22	48-42-0320	DUCT COLECTOR GUIDE (TOP LEFT)	1
23	NC17-46-0026	DUCT COLECTOR GUIDE (TOP)	4
24	48-01-1167	BRACE	1
25	48-01-1165	BRACE	2
26	80-21-0007	BUSHING	6
27	48-50-1025	HYDRAULIC MOTOR SPROCKET	1
28	39-01-1105	WASHER	1
29	NC02-32-0010	LOCK WASHER Ø 1/4"	1
30	NC01-33-0005	HEX.BOLT 1/4"-20 X 7/8" LG (GRADE 8)	1
31	80-01-3000	GEAR GUARD	1
32	81-01-0920	PTO GUARD SUPPORT	1
33	81-57-0040	PTO GUARD	1
34	NC13-30-0237	CAPSULE WITH END CAP	1
35	83-50-1065	DRIVE SHAFT (MS 30102)	1
36	48-01-7530	HYDRAULIC HOSE SUPPORT	2
37	83-21-0000	BUSHING	4
38	83-50-0050	IMPELLER	1
39	83-50-0113	SNOW GUARD (RIGHT SECTION)	1
40	83-50-0111	SNOW GUARD (LEFT SECTION)	1
41	83-57-0035	CHAIINE GUARD	1
42	NC02-32-0014	LOCK WASHER Ø 1/2"	7
43	NC01-25-0247	HEX.BOLT 1/2"-13 X 1" LG (GRADE 5)	4
44	83-41-0900	IMPELLER KEY 1/2" X 1/2" X 4"	1
45	NC13-15-0300	SNOW GUARD	1
46	NC01-78-0016	ALUMINIUM RIVET 3/16" X 5/8" LG	6
47	01-01-2485	FLAT WASHER 13/16" Dia. X Ø 25/64" X 14GA	23
48	NC01-17-0114	HEX.BOLT 3/8"-16 X 1" LG (GRADE2)	12
49	NC02-32-0012	LOCK WASHER Ø 3/8"	22
50	NC01-17-0395	HEX. BOLT NC ZINC 5/8"-11" X 1 3/4" (GRADE 2)	8
51	NC02-32-0016	LOCK WASHER Ø 5/8"	23
52	NC02-07-0022	HEX. NUT 5/8"-11	12
53	NC02-07-0018	HEX.NUT 3/8"-16	18
54	NC01-04-0109	CARR.BOLT 3/8"-16 X 1" LG (GRADE 2)	6
55	81-01-0928	CHAIN TENSIONER SUPPORT	1

FRAME (MS-30102)

REF.	PART NO.	DESCRIPTION	QTE
56	NC01-29-0402	HEX.BOLT 5/8"-18 X 3 1/2" LG (GRADE 5)	1
57	NC02-22-0013	FLAT WASHER 1 1/2" X Ø 5/8"	11
58	NC02-10-0022	HEX.NUT 5/8"-18	2
59	NC01-29-0404	HEX.BOLT 5/8"-18 X 4" LG (GRADE 5)	1
60	NC01-96-0011	NYLON INSERT LOCKNUTS 3/8"-16	7
61	NC02-25-0011	FLAT WASHER Ø 17/32"	4
62	NC13-86-0149	SPRING	1
63	NC01-96-0014	NYLON INSERT LOCKNUTS 1/2"-13	2
64	80-42-0110	CAP	1
65	NC01-63-0026	HITCH PIN CLIPS 5/32" X 3" LG	3
66	49-20-0210	PIN	2
67	48-20-0065	HITCH PIN (CAT. 2)	2
68	NC01-69-1100	LINCHPIN 3/8" Dia.	3
69	48-20-0060	HITCH PIN (CAT. 2)	1
70	NC02-25-0007	FLAT WASHER 5/8" Dia. X Ø 9/32"	2
71	NC01-17-0007	HEX. BOLT GR2 NC ZINC 1/4"-20 X 1 1/4"	2
72	NC01-96-0009	NYLON INSERT LOCKNUTS 1/4"-20	2
73	NC01-04-0110	CARRIAGE BOLT 3/8"-16 X 1 1/4" LG (GRADE 2)	2
74	NC01-17-0118	HEX.BOLT 3/8"-16 X 2" LG (GRADE 2)	9
75	NC01-17-0122	HEX.BOLT 3/8"-16 X 3" LONG (GRADE 2)	6
76	NC13-45-0072	90° 7/8"-14 MALE SAE O RING X 3/8" FEM.TOUR.NPT	2
77	NC01-17-0112	HEX.BOLT 3/8"-16 X 3/4" LG (GRADE 2)	4
78	NC01-04-0107	CARR.BOLT 3/8"-16 X 3/4" LG (GRADE 2)	6
79	NC02-14-0019	FLANGE HEX. LOCKNUTS 3/8"-16 (GRADE B)	6
80	NC02-25-0013	FLAT WASHER 1 5/16" Dia. X Ø 21/32" X 3/32"	8
81	NC01-17-0396	BOLT HEX. 5/8"-11 X 2" LG (GRADE2)	4
82	NC01-93-0011	STOP NUT 3/8"-16	22
83	81-01-0965	SPRING GUARD	1
84	80-01-1075	SNOW GUARD REINFORCEMENT	1
85	21-01-0950	FLAT WASHER 1.005" Dia. X Ø 25/64"	6
86	NC01-25-0249	HEX.BOLT 1/2"-13 X 1 1/2" LG (GRADE 5)	3
87	NC01-37-0269	HEX.BOLT 1/2"-20 X 6 1/2" LG (GRADE 8)	2
88	NC01-94-0013	LOCKNUTS 1/2-20	2
89	80-04-0185	WASHER	1
90	NC01-25-0395	HEX.BOLT 5/8"-11 X 1 3/4" LG (GRADE 5)	1
91	NC01-33-0482	HEX. BOLT 3/4"-10 X 6" LG (GRADE 8)	4
92	NC02-32-0017	LOCK WASHER Ø 3/4"	4
93	NC02-07-0023	HEX.NUT 3/4"-10	4
94	80-41-0135	STEEL CABLE	1
95	NC01-64-0005	ALUMINUM OVAL SLEEVE	2
96	81-13-0400	PTO GUARD PIVOT	1
97	NC02-22-0008	FLAT WASHER Ø 5/16"	2
98	NC02-32-0011	LOCK WASHER Ø 5/16"	2
99	NC01-45-0184	METRIC BOLT 8MM X 20MM (GRADE 8.8)	2
100	NC01-63-0015	HITCH PIN CLIPS 1/8" X 2 5/8" LG	1
101	NC01-69-0785	GREASE FITTING 1/4"-28 (STRAIGHT)	10
102	NC01-17-0400	HEX. BOLT 5/8"-11 X 3" LONG (GRADE 2)	4
103	NC01-17-0394	HEX. BOLT 5/8"-11 X 1 1/2" LONG (GRADE 2)	4
104	NC01-69-1306	LOCK PIN 3/8" Dia. X 2 1/2" LG	1
105	NC01-25-0116	HEX. BOLT 3/8"-16 X 1 1/2" LG (GRADE 5)	7
106	83-37-1000	CHAIN	1
107	83-34-0030	PTO SHAFT T90 (540RPM)	1
108	NC14-10-0138	GEAR BOX	1
109	NC13-65-0003	BRASS ELBOW 90° 3/8 FEM. NPT X 3/8 MALE NPT	1
110	81-57-0300	BEFORE 05/2016 CHUTE (BOTTOM SECTION) (MS 28-30)	1
N/I	81-57-0301	AFTER 05/2016 CHUTE (BOTTOM SECTION) (MS 28-30)	1

FRAME (MS-30102)

REF.	PART NO.	DESCRIPTION	QTE
111	81-57-0310	BEFORE 05/2016 CHUTE (MIDDEL SECTION) (MS 28-30)	1
N/I	81-57-0311	AFTER 05/2016 CHUTE (MIDDEL SECTION) (MS 28-30)	1
112	81-57-0320	BEFORE 05/2016 CHUTE (TOP SECTION) (MS 28-30)	1
N/I	81-57-0321	AFTER 05/2016 CHUTE (TOP SECTION) (MS 28-30)	1
113	NC13-45-0209	HYDRAULIC CYLINDER	1
114	NC01-67-0304	END LINK 3/8"-24	4
115	48-13-0600	CHUTE ROD	2
116	NC02-10-0018	HEX.NUT 3/8"-24	4
117	81-57-0360	BEFORE 05/2016 CHUTE DOOR (MS 28-30)	1
N/I	81-57-0352	AFTER 05/2016 CHUTE DOOR (MS 28-30)	1
118	NC17-46-0018	PLASTIC KNOB	1
119	NC01-17-0119	HEX.BOLT 3/8"-16 X 2 1/4" LG (GRADE 2)	1
120	NC13-80-0213	SPRING-LOCK	1
121	81-50-0340	BEFORE 05/2016 PIVOT (MS 28-30)	2
N/I	81-20-0250	AFTER 05/2016 PIVOT (MS 28-30)	2
122	NC13-45-0038	ELBOW 90° 3/8 FEM.NPT X 3/8 MALE NPT	2
123	NC13-45-0014	QUICK DISCON.COUPLER 1/2"-14 NPTF	4
124	NC13-45-0153	HEX.REDUCER 1/4 FEM. NPT X 1/2 MÅLE NPT	4
125	NC17-02-0347	HYDRAULIC HOSE (111" LG)	2
126	32-21-0010	HYDRAULIC RESTRICTOR	2
127	NC01-07-0113	CARR.BOLT 3/8"-16 X 2" LONG (GRADE 5)	2
128	NC01-25-0117	HEX. BOLT GR5 NC ZINC 3/8"-16 X 1 3/4"	2
129	NC01-69-0139	SPLIT PIN 1/8" X 3/4"	2
130	NC01-54-0110	BOLT 3/16 X 3/4 (STANLESS STEEL)	4
131	NC01-96-0006	NYLON INSERT LOCKNUTS 10-24	4
132	48-50-1030	HYDRAULIC HOSE SUPPORT	1
133	80-01-1040	CHUTE SUPPORT	3
134	80-21-0005	BUSHING	3
135	NC17-46-0006	BLACK UHMW WHEEL	3
136	NC02-45-0634	ALLEN SET SCREW M10 X 1.5 PITCH X 30MM (STAINLESS)	3
137	NC02-14-0727	HEX. THIN NUT M10 X 1.5 PITCH (STAINLESS)	3
138	NC17-02-0328	HYDRAULIC HOSE (63" LG)	2
139	32-21-0010	HYDRAULIC RESTRICTOR	2
140	83-50-1200	REINFORCING KNIFE (TOP)	2
141	83-42-0100	RIGHT KNIFE (UHMW)	1
142	83-42-0101	LEFT KNIFE (UHMW)	1
143	83-04-0300	REINFORCING KNIFE (UNDER)	2
144	80-50-0057	ADJUSTABLE SKATE FOR SOLE IN (UHMW)	2
145	80-42-0125	SOLE (UHMW)	2
146	NC02-48-0545	FLAT HEAD SOCKET CAP SREWS 1/2"-13 X 1 1/4" LG (STAINLESS STEEL)	8
147	NC02-48-0564	FLAT HEAD SOCKET CAP SREWS 5/8"-11 X 2" LG (STAINLESS STEEL)	12
148	81-50-0055	AJUSTABLE SKATE (#450 HARDNESS STEEL)	2
149	83-20-0450	KNIFE (QT-450) (MS 30102)	2
150	80-50-0085	LATERAL SKATE (#450 HARDNESS STEEL)	2
151	NC02-48-0052	FLAT HEAD SOCKET CAP SCEW T.FRA 5/8-11" X 1 1/4"	4
152	NC01-93-0016	STOP NUT 5/8"-11	12
153	NC01-09-0039	PLOW BOLT NC.Z 5/8-11" X 1 1/2 "(GRADE 5)	12
154	83-20-0150	KNIFE (STAINLESS STEEL) (MS 30102)	2
155	80-50-0087	LATERAL SKATE (STANLESS STEEL)	2
156	81-50-0058	AJUSTABLE SKATE (STAINLESS STEEL)	2