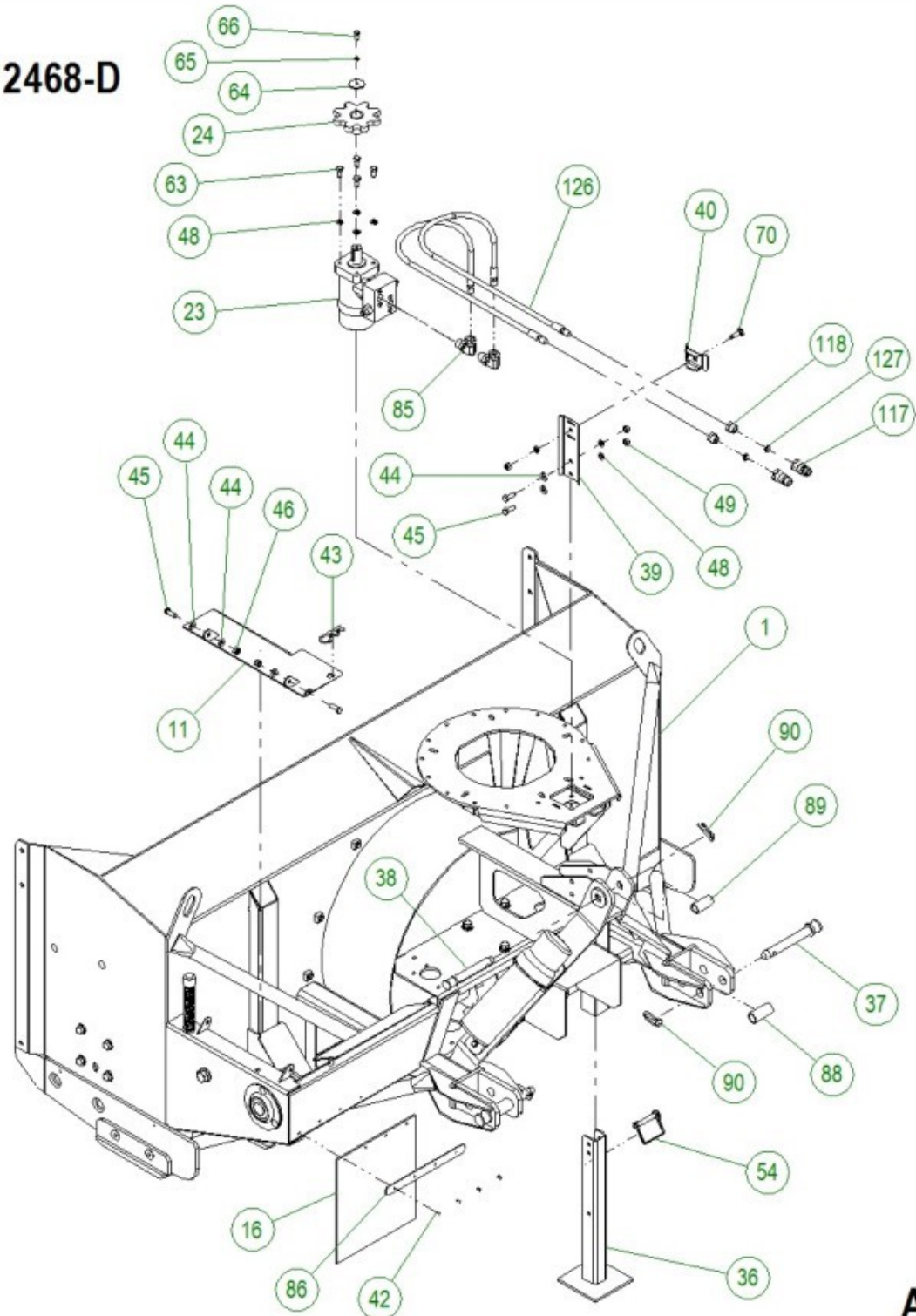
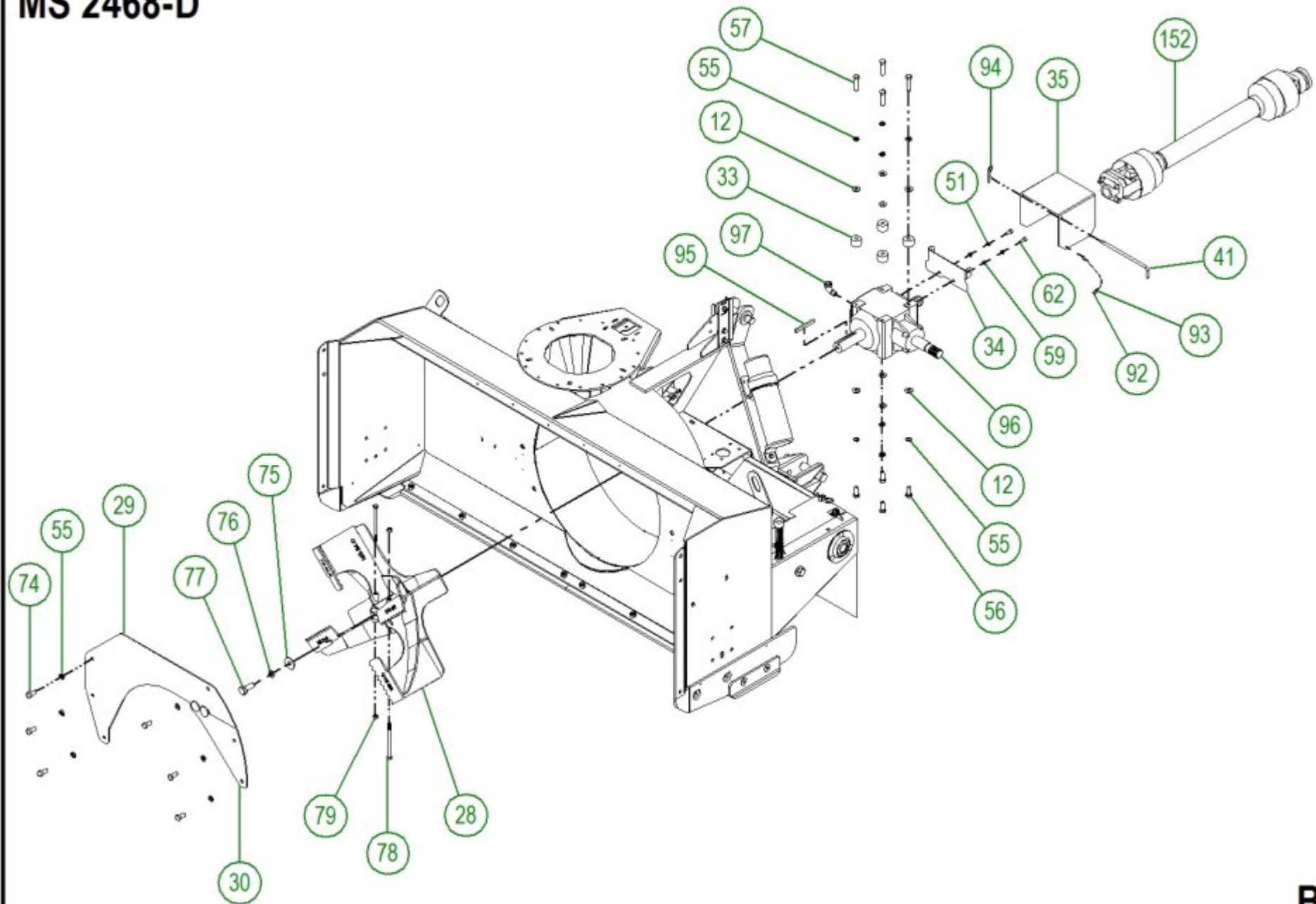


MS 2468-D



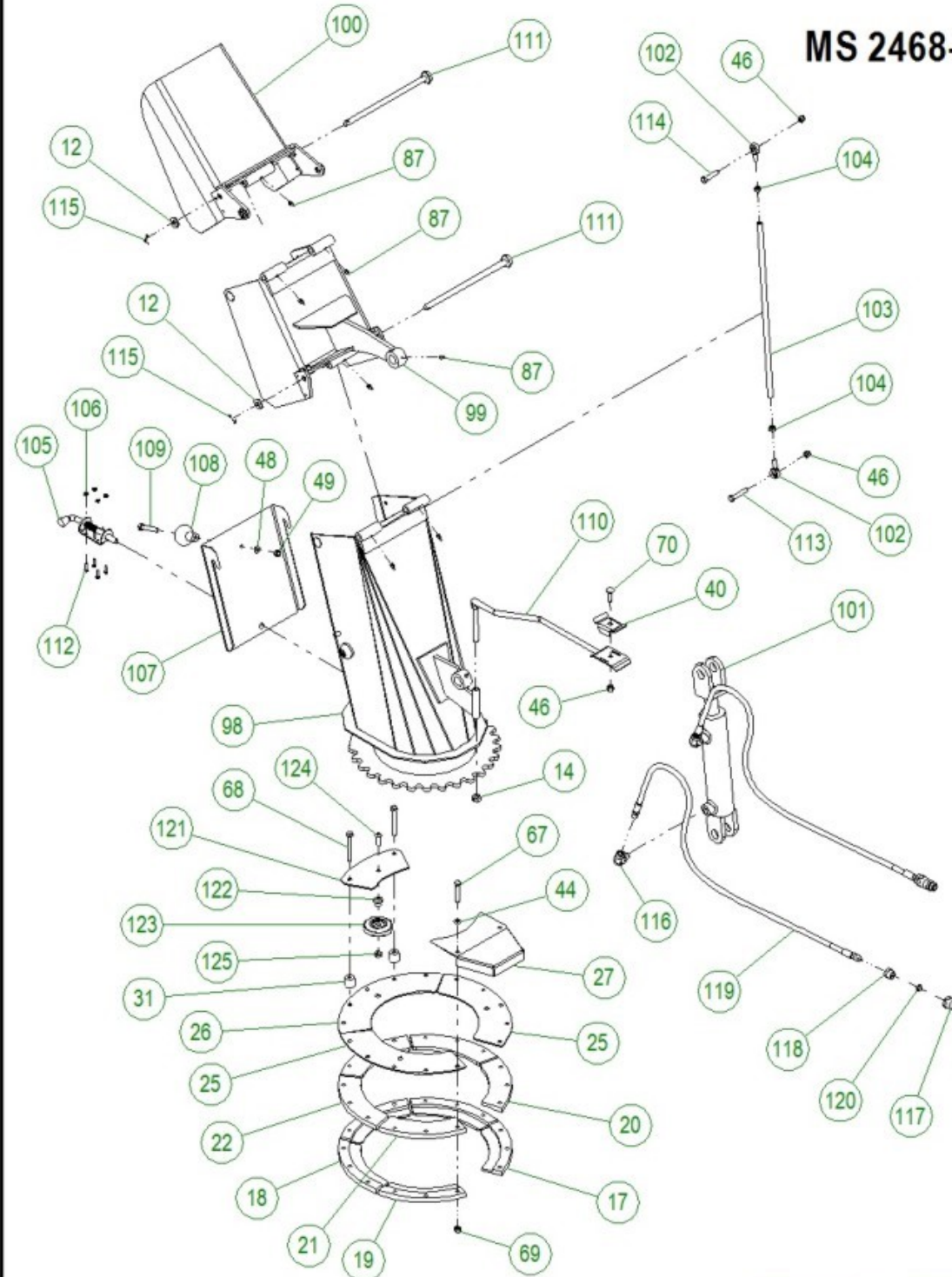
A

MS 2468-D



B

MS 2468-D



E

FRAME (MS-2468-D)

REF.	PART NO.	DESCRIPTION	QTE
1	82-57-0001	FRAME (MS 2468-D)	1
2	NC14-75-0160	FLANGE BEARING	2
3	82-50-0080	SPIRAL (MS 2468-D)	1
N/I	80-36-0500	SPROCKET	1
4	80-50-0040	CHAIN TENSIONER (THREADED ROD)	1
5	NC14-75-0094	GREASE FITTING WITH PRESSED STEEL FLANGE	1
6	NC14-75-0093	PRESSED STEEL FLANGE	1
7	NC14-75-0162	BEARING	1
8	80-24-0000	BUSHING	1
9	NC14-55-0293	SPROCKET	1
10	82-50-0065	DRIVE SHAFT (MS 2468-D)	1
11	82-57-0036	CHAIN GUARD (MS 24-D)	1
12	NC02-25-0011	FLAT WASHER Ø 17/32"	22
13	NC13-86-0052	SPRING	1
14	NC01-96-0014	NYLON INSERT LOCKNUTS 1/2"-13	2
15	80-42-0110	CAP	1
16	NC13-15-0315	SNOW GUARD	1
17	46-42-0107	CHUTE GUIE (BOTTOM LEFT)	1
18	46-42-0105	CHUTE GUIE (BOTTOM)	3
19	46-42-0106	CHUTE GUIE (BOTTOM RIGHT)	1
20	46-42-0102	CHUTE GUIDE (TOP)	1
21	46-42-0101	CHUTE GUIDE (TOP)	1
22	46-42-0100	CHUTE GUIDE (TOP)	3
23	NC14-45-0147	HYDRAULIC MOTOR	1
24	48-50-1025	HYDRAULIC MOTOR SPROCKET	1
25	82-01-0965	BRACE	2
26	82-01-0955	BRACE	1
27	82-01-3005	SPROCKET GUARD	1
28	82-50-0051	IMPELLER	1
29	82-50-0110	TOP SNOW GUARD	1
30	82-50-0113	RIGHT SNOW GUARD	1
31	80-21-0007	BUSHING	6
32	82-50-0071	CHAINE GUARD	1
33	80-21-0010	BUSHING	4
34	82-01-7510	PTO GUARD SUPPORT	1
35	82-57-0040	PTO GUARD	1
36	80-50-0093	STAND	1
37	48-20-0070	PIN (CAT. 1)	2
38	48-20-0075	PIN (CAT. 1)	1
39	80-01-7590	SUPPORT	1
40	48-01-7530	HYDRAULIC HOSE SUPPORT	2
41	82-13-0400	PTO GUARD PIVOT	1
42	NC01-78-0016	ALUMINIUM RIVET 3/16" X 5/8" LG	4
43	NC01-63-0026	HITCH PIN CLIPS 5/32" X 3" LG	3
44	01-01-2485	FLAT WASHER 13/16" Dia. X Ø 25/64" X 14GA	12
45	NC01-17-0114	HEX.BOLT 3/8"-16 X 1" LG (GRADE2)	4
46	NC01-96-0011	NYLON INSERT LOCKNUTS 3/8"-16	7
47	NC01-04-0109	CARR.BOLT 3/8"-16 X 1" LG (GRADE 2)	3
48	NC02-32-0012	LOCK WASHER Ø 3/8"	11
49	NC02-07-0018	HEX.NUT 3/8"-16	7
50	NC01-17-0063	HEX.BOLT 5/16"-18 X 1 3/4" LG (GR2)	7
51	NC02-32-0011	LOCK WASHER Ø 5/16"	2
52	NC01-93-0010	STOP NUT 5/16"-18	7
53	49-20-0210	PIN	2
54	NC01-69-1306	LOCK PIN 3/8" Dia. X 2 1/2" LG	1
55	NC02-32-0014	LOCK WASHER Ø 1/2"	24

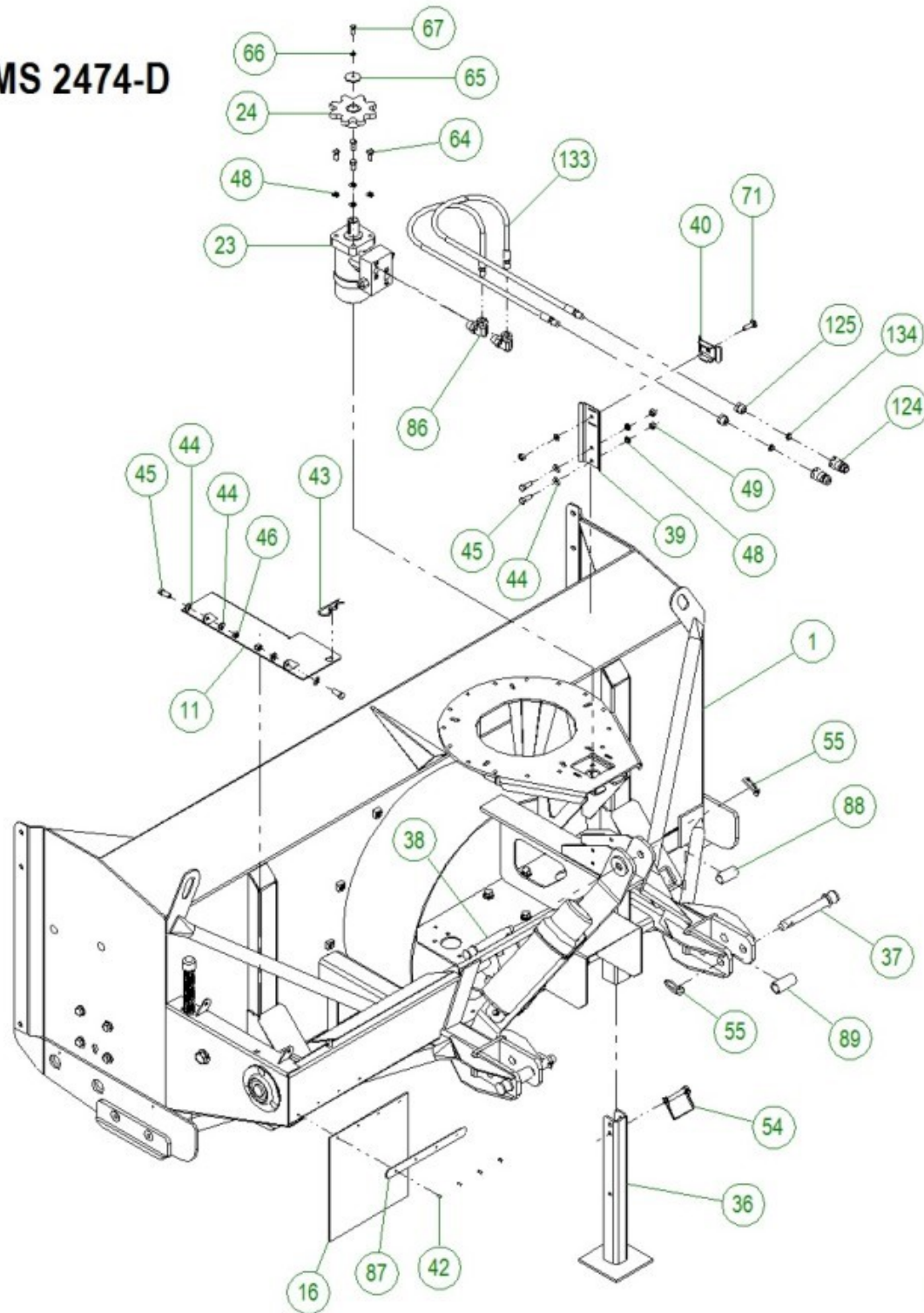
FRAME (MS-2468-D)

REF.	PART NO.	DESCRIPTION	QTE
56	NC01-17-0248	HEX.BOLT 1/2"-13 X 1 1/4" LG (GRADE 2)	4
57	NC01-17-0251	HEX.BOLT 1/2"-13 X 2" (GRADE 2)	4
58	NC13-30-0237	CAPSULE WITH END CAP	1
59	NC02-22-0008	FLAT WASHER Ø 5/16"	4
60	NC01-17-0007	HEX. BOLT GR2 NC ZINC 1/4"-20 X 1 1/4"	2
61	NC01-96-0009	NYLON INSERT LOCKNUTS 1/4"-20	2
62	NC01-45-0184	METRIC BOLT 8MM X 20MM (GRADE 8.8)	2
63	NC01-17-0112	HEX.BOLT 3/8"-16 X 3/4" LG (GRADE 2)	4
64	39-01-1105	WASHER	1
65	NC02-32-0010	LOCK WASHER Ø 1/4"	1
66	NC01-33-0005	HEX.BOLT 1/4"-20 X 7/8" LG (GRADE 8)	1
67	NC01-17-0118	HEX.BOLT 3/8"-16 X 2" LG (GRADE 2)	6
68	NC01-17-0122	HEX.BOLT 3/8"-16 X 3" LONG (GRADE 2)	6
69	NC01-93-0011	STOP NUT 3/8"-16	12
70	NC01-04-0110	CARRIAGE BOLT 3/8"-16 X 1 1/4" LG (GRADE 2)	2
71	NC01-17-0249	HEX.BOLT 1/2"-13 X 1 1/2" (GRADE 2)	4
72	NC01-17-0250	HEX. BOLT GR2 NC ZINC 1/2"-13 X 1 3/4"	4
73	NC02-07-0020	HEX.NUT 1/2"-13	8
74	NC01-25-0247	HEX.BOLT 1/2"-13 X 1" LG (GRADE 5)	6
75	80-04-0185	WASHER	1
76	NC02-32-0016	LOCK WASHER Ø 5/8"	2
77	NC01-17-0395	HEX. BOLT NC ZINC 5/8-11" X 1 3/4" (GRADE 2)	1
78	NC01-37-0132	HEX. BOLT NF ZINC 3/8"-24 X 5 1/2" (GRADE 8)	2
79	NC01-94-0011	LOCKNUTS 3/8"-24	2
80	NC01-04-0107	CARR.BOLT 3/8"-16 X 3/4" LG (GRADE 2)	4
81	NC02-14-0019	FLANGE HEX. LOCKNUTS 3/8"-16 (GRADE B)	4
82	NC02-22-0013	FLAT WASHER 1 1/2" X Ø 5/8"	1
83	NC01-21-0394	HEX.BOLT 5/8"-18 X 1 1/2" (GRADE 2)	1
84	NC01-69-0787	GREASE FITTING 1/4"-28 X 90°	1
85	NC13-45-0072	90° 7/8"-14 MALE SAE O RING X 3/8" FEM.TOUR.NPT	2
86	82-01-0970	SNOW GUARD REINFORCEMENT	1
87	NC01-69-0785	GREASE FITTING 1/4"-28 (STRAIGHT)	9
88	82-09-1300	BUSHING (CAT.2)	2
89	82-09-1210	BUSHING (CAT.2)	1
90	NC01-69-1100	LINCHPIN 3/8" Dia.	3
91	82-37-1005	CHAINE #60 HD	1
92	80-41-0135	STEEL CABLE	1
93	NC01-64-0005	ALUMINUM OVAL SLEEVE	2
94	NC01-63-0015	HITCH PIN CLIPS 1/8" X 2 5/8" LG	1
95	80-41-0900	IMPELLER KEY	1
96	NC14-10-0136	GEARBOX	1
97	NC13-65-0003	BRASS ELBOW 90° 3/8 FEM. NPT X 3/8 MALE NPT	1
98	82-57-0301	BEFORE 05/2016 CHUTE (BOTTOM SECTION) (MS 24-D)	1
N/I	82-57-0302	AFTER 05/2016 CHUTE (BOTTOM SECTION) (MS 24-D)	1
99	82-57-0311	CHUTE (MIDDEL SECTION) (MS 24-D)	1
100	82-57-0321	CHUTE (TOP SECTION) (MS 24-D)	1
101	NC13-45-0209	HYDRAULIC CYLINDER	1
102	NC01-67-0304	END LINK 3/8"-24	4
103	48-13-0600	CHUTE ROD	2
104	NC02-10-0018	HEX.NUT 3/8"-24	4
105	NC13-80-0213	SPRING-LOCK	1
106	NC01-96-0006	NYLON INSERT LOCKNUTS 10-24	4
107	82-57-0361	BEFORE 05/2016 CHUTE DOOR (MS 24-D)	1
N/I	82-57-0352	AFTER 05/2016 CHUTE DOOR (MS 24-D)	1
108	NC17-46-0018	PLASTIC KNOB	1
109	NC01-17-0119	HEX.BOLT 3/8"-16 X 2 1/4" LG (GRADE 2)	1

FRAME (MS-2468-D)

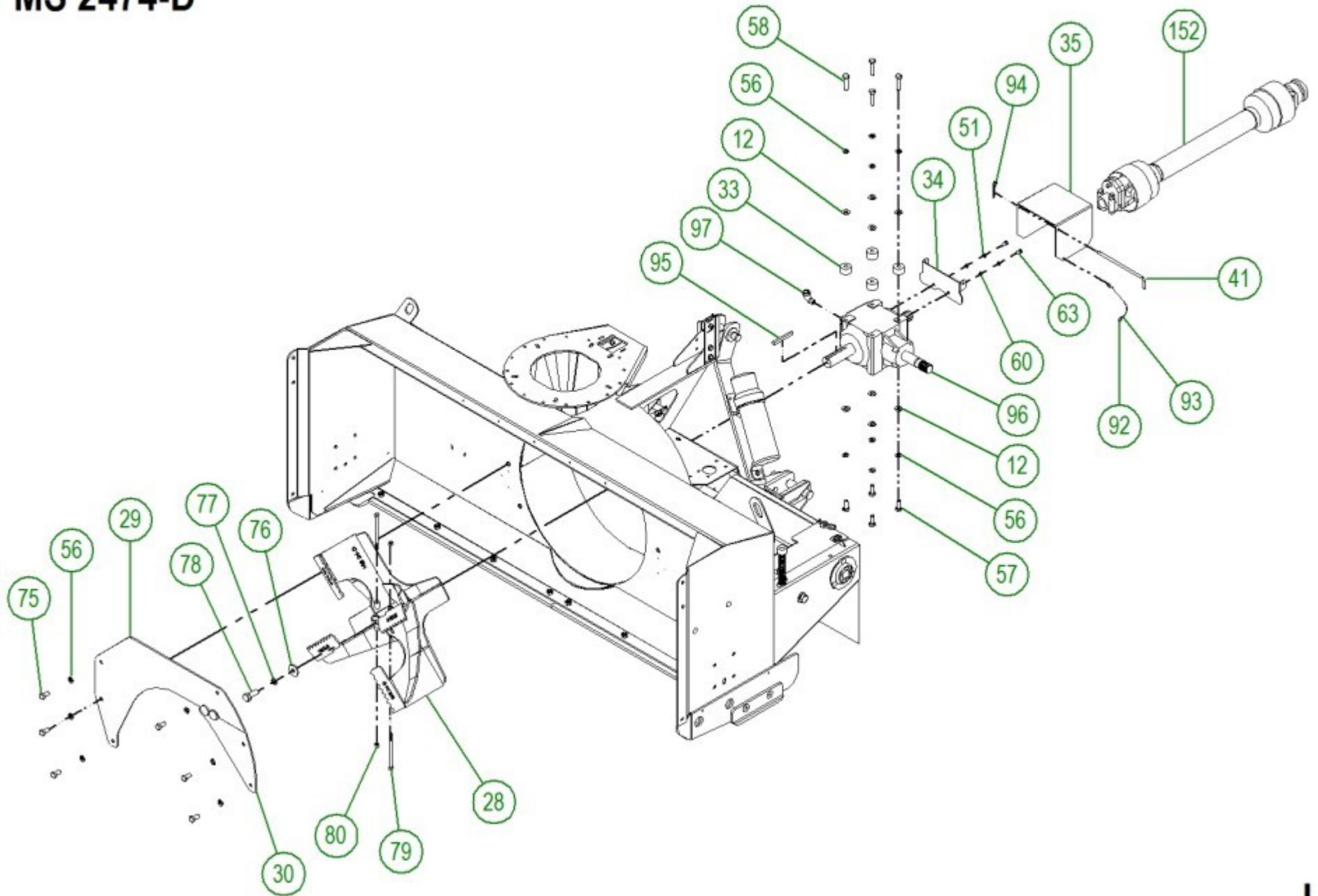
REF.	PART NO.	DESCRIPTION	QTE
110	48-50-1030	HYDRAULIC HOSE SUPPORT	1
111	82-50-0341	BEFORE 05/2016 PIVOT (MS 24-D)	2
N/I	82-20-0250	AFTER 05/2016 PIVOT (MS 24-D)	2
112	NC01-54-0110	BOLT 3/16 X 3/4 (STAINLESS STEEL)	4
113	NC01-07-0113	CARR.BOLT 3/8"-16 X 2" LONG (GRADE 5)	2
114	NC01-25-0117	HEX. BOLT GR5 NC ZINC 3/8"-16 X 1 3/4"	2
115	NC01-69-0139	SPLIT PIN 1/8" X 3/4"	2
116	NC13-45-0038	ELBOW 90° 3/8 FEM.NPT X 3/8 MALE NPT	2
117	NC13-45-0014	QUICK DISCON.COUPLER 1/2"-14 NPTF	4
118	NC13-45-0153	HEX.REDUCER 1/4 FEM. NPT X 1/2 MÅLE NPT	4
119	NC17-02-0329	HYDRAULIC HOSE (87" LG)	2
120	32-21-0010	HYDRAULIC RESTRICTOR	2
121	82-01-0951	CHUTE SUPPORT (MS 24-D)	3
122	80-21-0005	BUSHING	3
123	NC17-46-0006	BLACK UHMW WHEEL	3
124	NC02-45-0634	ALLEN SET SCREW M10 X 1.5 PITCH X 30MM (STAINLESS)	3
125	NC02-14-0727	HEX. THIN NUT M10 X 1.5 PITCH (STAINLESS)	3
126	NC17-02-0328	HYDRAULIC HOSE (63" LG)	2
127	32-21-0010	HYDRAULIC RESTRICTOR	2
128	82-50-0200	REINFORCING KNIFE (TOP)	2
129	82-42-0100	RIGHT KNIFE (UHMW)	1
130	82-42-0101	LEFT KNIFE (UHMW)	1
131	82-04-0300	REINFORCING KNIFE (UNDER)	2
132	80-50-0057	ADJUSTABLE SKATE FOR SOLE IN (UHMW)	2
133	80-42-0125	SOLE (UHMW)	2
134	NC02-48-0548	FLAT HEAD SOCKET CAP SREWS 1/2"-13 X 2" LG (STAINLESS STEEL)	8
135	NC02-48-0545	FLAT HEAD SOCKET CAP SREWS 1/2"-13 X 1 1/4" LG (STAINLESS STEEL)	8
136	80-50-0087	LATERAL SKATE (STAINLESS STEEL)	2
137	82-20-0150	KNIFE (STAINLESS STEEL) (MS 2468)	2
138	80-50-0058	AJUSTABLE SKATE (STAINLESS STEEL)	2
139	82-20-0450	KNIFE QT-450 (MS 2468-D)	2
140	80-50-0085	LATERAL SKATE (#450 HARDNESS STEEL)	2
141	80-50-0055	AJUSTABLE SKATE (#450 HARDNESS STEEL)	2
142	NC02-48-0052	FLAT HEAD SOCKET CAP SCEW T.FRA 5/8-11" X 1 1/4"	4
143	NC01-09-0029	PLOW BOLT NC.Z 1/2"-13" X 1 1/4 "(GRADE 5)	8
144	NC01-93-0014	STOP NUT 1/2"-13	8
145	80-50-0045	CHAIN TENSIONER	1
146	80-21-0020	CHAIN TENSIONER BUSHING (SPROCKET)	2
147	NC14-55-0295	SPROCKET	2
148	80-13-2400	CHAIN TENSIONER BUSHING	1
149	NC01-29-0252	HEX.BOLT 1/2"-20 X 2 1/4" (GRADE 5)	2
150	NC02-10-0020	HEX.NUT 1/2"-20	2
151	NC01-69-0786	GREASE FITTING 1/4"-28 (45°)	1
152	82-34-0030	PTO SHAFT T40 (540RPM)	1

MS 2474-D

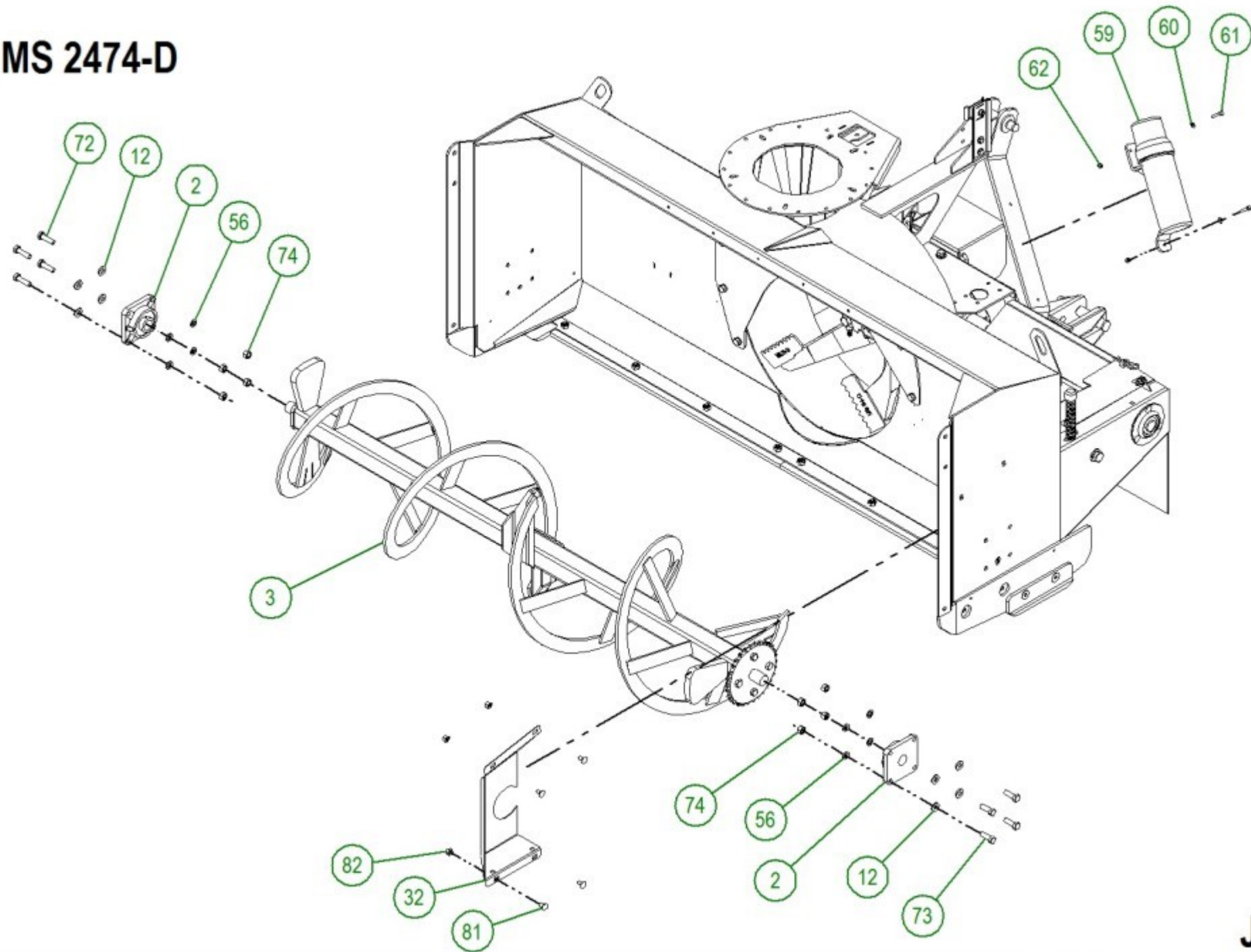


H

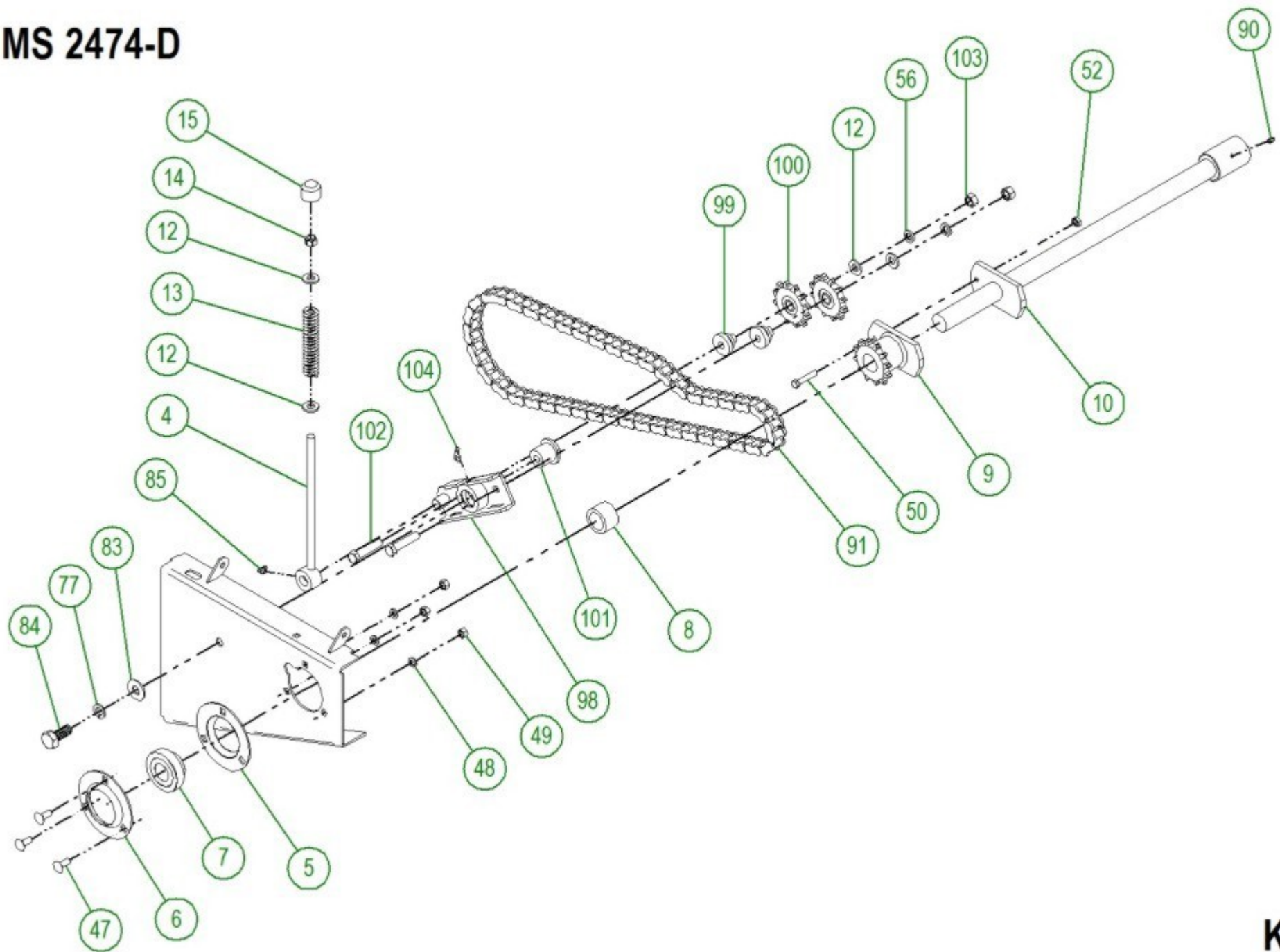
MS 2474-D



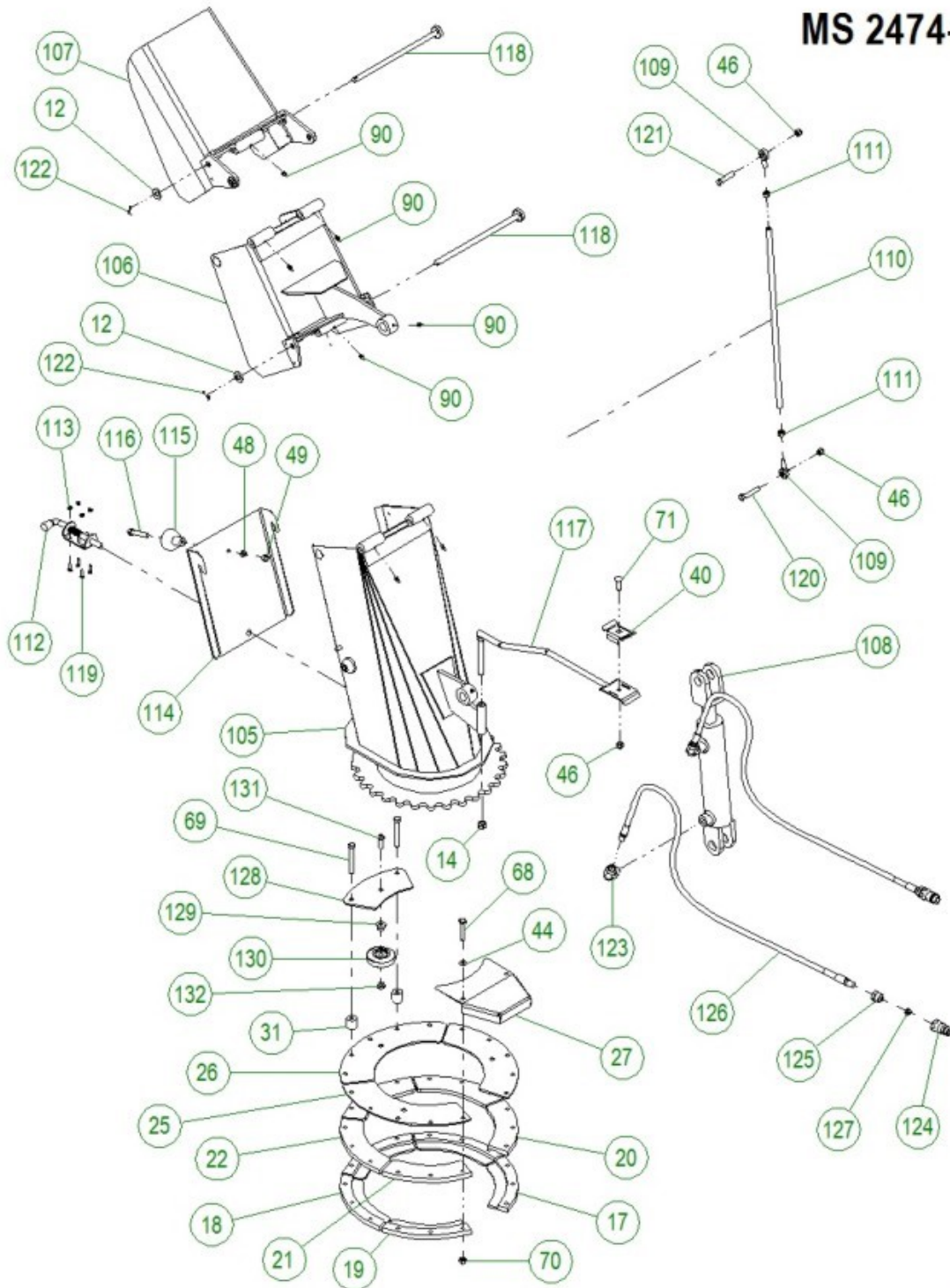
MS 2474-D



MS 2474-D



MS 2474-D

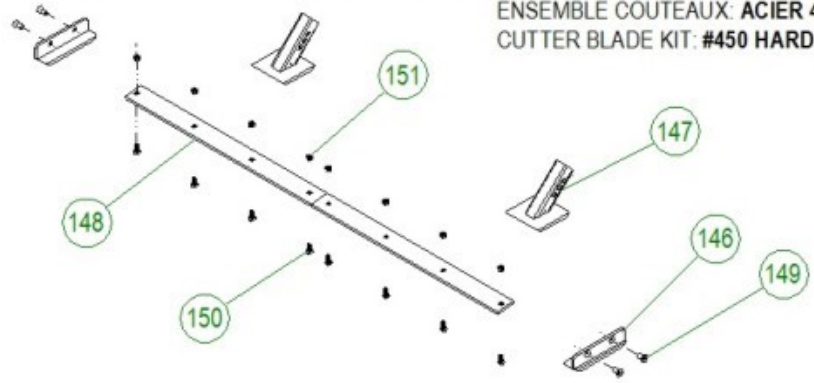


L

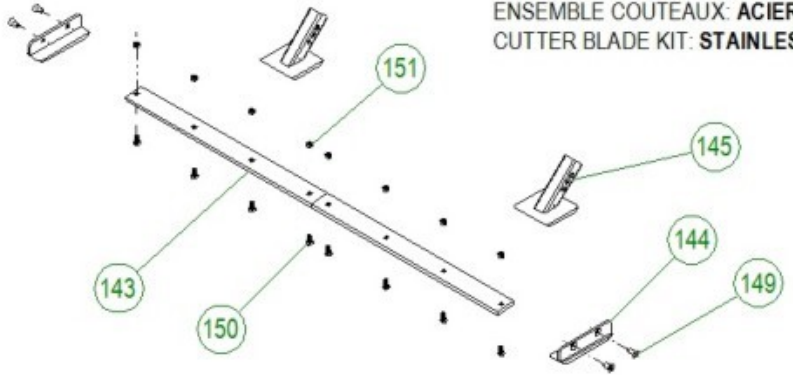
MS 2474-D



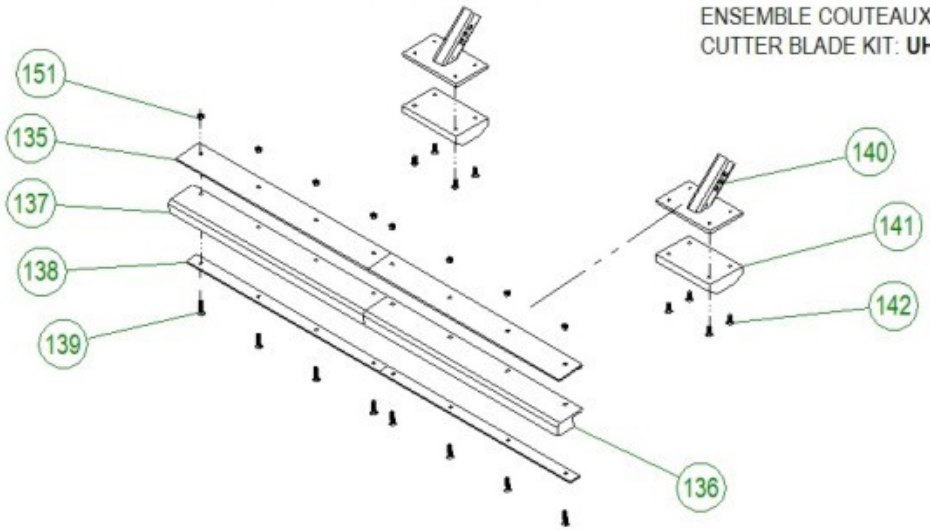
ENSEMBLE COUTEAUX: ACIER 450
CUTTER BLADE KIT: #450 HARDNESS STEEL



ENSEMBLE COUTEAUX: ACIER INOXYDABLE
CUTTER BLADE KIT: STAINLESS STEEL



ENSEMBLE COUTEAUX: UHMW
CUTTER BLADE KIT: UHMW



FRAME (MS-2474-D)

REF.	PART NO.	DESCRIPTION	QTE
1	82-57-0501	FRAME (MS 2474-D)	1
2	NC14-75-0160	FLANGE BEARING	2
3	82-50-0580	SPIRAL (MS 2474-D)	1
N/I	80-36-0500	SPROCKET	1
4	80-50-0040	CHAIN TENSIONER (THREADED ROD)	1
5	NC14-75-0094	GREASE FITTING WITH PRESSED STEEL FLANGE	1
6	NC14-75-0093	PRESSED STEEL FLANGE	1
7	NC14-75-0162	BEARING	1
8	80-24-0000	BUSHING	1
9	NC14-55-0293	SPROCKET	1
10	80-50-0065	DRIVE SHAFT (MS 2674 & MS 2474-D)	1
11	82-57-0036	CHAIN GUARD (MS 24-D)	1
12	NC02-25-0011	FLAT WASHER Ø 17/32"	22
13	NC13-86-0052	SPRING	1
14	NC01-96-0014	NYLON INSERT LOCKNUTS 1/2"-13	2
15	80-42-0110	CAP	1
16	NC13-15-0315	SNOW GUARD	1
17	46-42-0107	CHUTE GUIITE (BOTTOM LEFT)	1
18	46-42-0105	CHUTE GUIITE (BOTTOM)	3
19	46-42-0106	CHUTE GUIITE (BOTTOM RIGHT)	1
20	46-42-0102	CHUTE GUIDE (TOP)	1
21	46-42-0101	CHUTE GUIDE (TOP)	1
22	46-42-0100	CHUTE GUIDE (TOP)	3
23	NC14-45-0147	HYDRAULIC MOTOR	1
24	48-50-1025	HYDRAULIC MOTOR SPROCKET	1
25	82-01-0965	BRACE	2
26	82-01-0955	BRACE	1
27	82-01-3005	SPROCKET GUARD	1
28	82-50-0051	IMPELLER	1
29	82-50-0110	TOP SNOW GUARD	1
30	82-50-0113	RIGHT SNOW GUARD	1
31	80-21-0007	BUSHING	6
32	82-50-0071	CHAINE GUARD	1
33	80-21-0010	BUSHING	4
34	82-01-7510	PTO GUARD SUPPORT	1
35	82-57-0040	PTO GUARD	1
36	80-50-0093	STAND	1
37	48-20-0070	PIN (CAT. 1)	2
38	48-20-0075	PIN (CAT. 1)	1
39	80-01-7590	SUPPORT	1
40	48-01-7530	HYDRAULIC HOSE SUPPORT	2
41	82-13-0400	PTO GUARD PIVOT	1
42	NC01-78-0016	ALUMINIUM RIVET 3/16" X 5/8" LG	4
43	NC01-63-0026	HITCH PIN CLIPS 5/32" X 3" LG	3
44	01-01-2485	FLAT WASHER 13/16" Dia. X Ø 25/64" X 14GA	12
45	NC01-17-0114	HEX.BOLT 3/8"-16 X 1" LG (GRADE2)	4
46	NC01-96-0011	NYLON INSERT LOCKNUTS 3/8"-16	7
47	NC01-04-0109	CARR.BOLT 3/8"-16 X 1" LG (GRADE 2)	3
48	NC02-32-0012	LOCK WASHER Ø 3/8"	11
49	NC02-07-0018	HEX.NUT 3/8"-16	7
50	NC01-17-0063	HEX.BOLT 5/16"-18 X 1 3/4" LG (GR2)	7
51	NC02-32-0011	LOCK WASHER Ø 5/16"	2
52	NC01-93-0010	STOP NUT 5/16"-18	7
53	49-20-0210	PIN	2
54	NC01-69-1306	LOCK PIN 3/8" Dia. X 2 1/2" LG	1
55	NC01-69-1100	LINCHPIN 3/8" Dia.	3

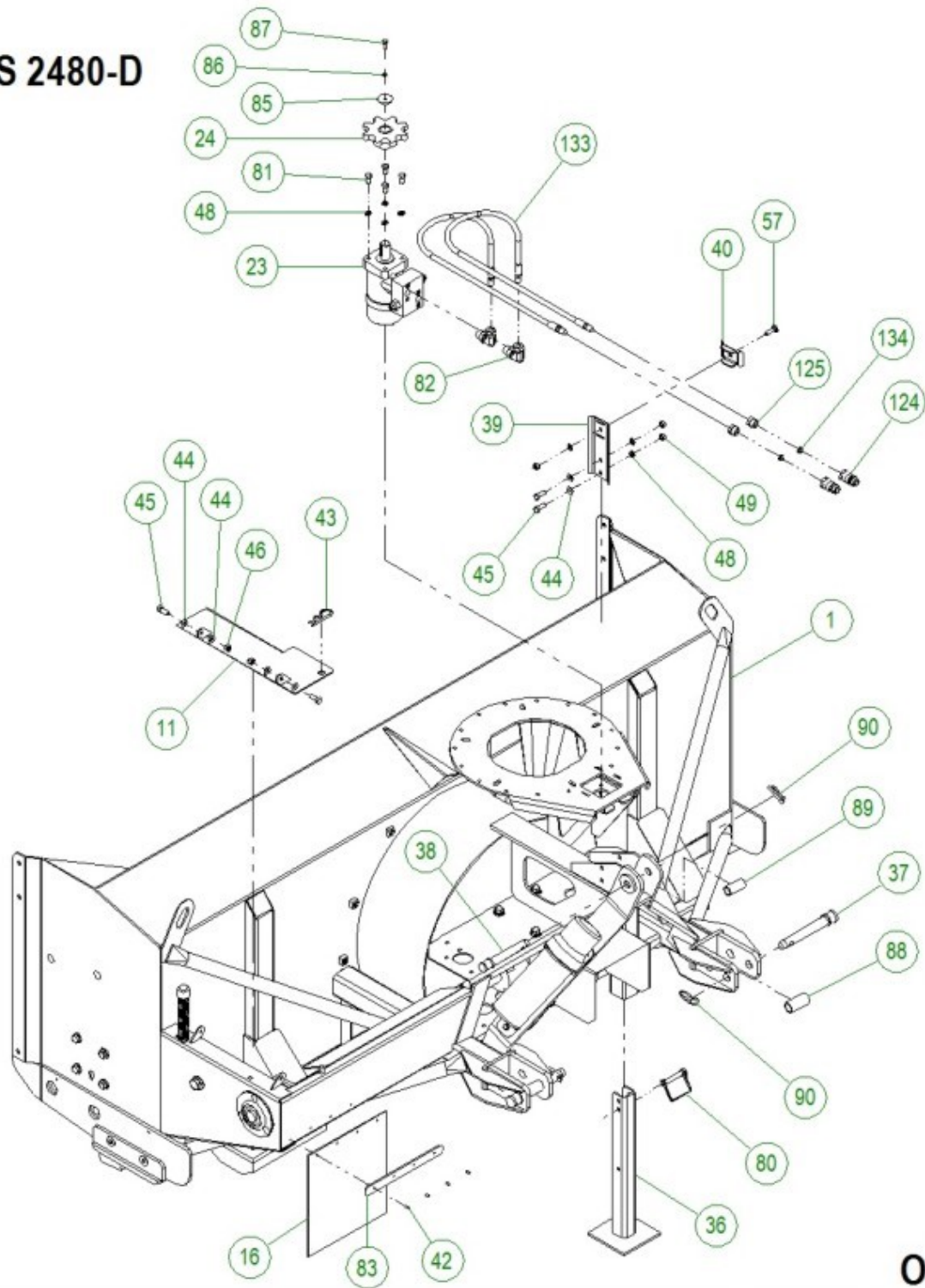
FRAME (MS-2474-D)

REF.	PART NO.	DESCRIPTION	QTE
56	NC02-32-0014	LOCK WASHER Ø 1/2"	24
57	NC01-17-0248	HEX.BOLT 1/2"-13 X 1 1/4" LG (GRADE 2)	4
58	NC01-17-0251	HEX.BOLT 1/2"-13 X 2" (GRADE 2)	4
59	NC13-30-0237	CAPSULE WITH END CAP	1
60	NC02-22-0008	FLAT WASHER Ø 5/16"	4
61	NC01-17-0007	HEX. BOLT GR2 NC ZINC 1/4"-20 X 1 1/4"	2
62	NC01-96-0009	NYLON INSERT LOCKNUTS 1/4"-20	2
63	NC01-45-0184	METRIC BOLT 8MM X 20MM (GRADE 8.8)	2
64	NC01-17-0112	HEX.BOLT 3/8"-16 X 3/4" LG (GRADE 2)	4
65	39-01-1105	WASHER	1
66	NC02-32-0010	LOCK WASHER Ø 1/4"	1
67	NC01-33-0005	HEX.BOLT 1/4"-20 X 7/8" LG (GRADE 8)	1
68	NC01-17-0118	HEX.BOLT 3/8"-16 X 2" LG (GRADE 2)	6
69	NC01-17-0122	HEX.BOLT 3/8"-16 X 3" LONG (GRADE 2)	6
70	NC01-93-0011	STOP NUT 3/8"-16	12
71	NC01-04-0110	CARRIAGE BOLT 3/8"-16 X 1 1/4" LG (GRADE 2)	2
72	NC01-17-0250	HEX. BOLT GR2 NC ZINC 1/2"-13 X 1 3/4"	4
73	NC01-17-0249	HEX.BOLT 1/2"-13 X 1 1/2" (GRADE 2)	4
74	NC02-07-0020	HEX.NUT 1/2"-13	8
75	NC01-25-0247	HEX.BOLT 1/2"-13 X 1" LG (GRADE 5)	6
76	80-04-0185	WASHER	1
77	NC02-32-0016	LOCK WASHER Ø 5/8"	2
78	NC01-17-0395	HEX. BOLT NC ZINC 5/8-11" X 1 3/4" (GRADE 2)	1
79	NC01-37-0132	HEX. BOLT NF ZINC 3/8"-24 X 5 1/2" (GRADE 8)	2
80	NC01-94-0011	LOCKNUTS 3/8"-24	2
81	NC01-04-0107	CARR.BOLT 3/8"-16 X 3/4" LG (GRADE 2)	4
82	NC02-14-0019	FLANGE HEX. LOCKNUTS 3/8"-16 (GRADE B)	4
83	NC02-22-0013	FLAT WASHER 1 1/2" X Ø 5/8"	1
84	NC01-21-0394	HEX.BOLT 5/8"-18 X 1 1/2" (GRADE 2)	1
85	NC01-69-0787	GREASE FITTING 1/4"-28 X 90°	1
86	NC13-45-0072	90° 7/8"-14 MALE SAE O RING X 3/8" FEM.TOUR.NPT	2
87	82-01-0970	SNOW GUARD REINFORCEMENT	1
88	82-09-1210	BUSHING (CAT.2)	1
89	82-09-1300	BUSHING (CAT.2)	2
90	NC01-69-0785	GREASE FITTING 1/4"-28 (STRAIGHT)	9
91	82-37-1005	CHAINE #60 HD	1
92	80-41-0135	STEEL CABLE	1
93	NC01-64-0005	ALUMINUM OVAL SLEEVE	2
94	NC01-63-0015	HITCH PIN CLIPS 1/8" X 2 5/8" LG	1
95	80-41-0900	IMPELLER KEY	1
96	NC14-10-0136	GEARBOX	1
97	NC13-65-0003	BRASS ELBOW 90° 3/8 FEM. NPT X 3/8 MALE NPT	1
98	80-50-0045	CHAIN TENSIONER	1
99	80-21-0020	CHAIN TENSIONER BUSHING (SPROCKET)	2
100	NC14-55-0295	SPROCKET	2
101	80-13-2400	CHAIN TENSIONER BUSHING	1
102	NC01-29-0252	HEX.BOLT 1/2"-20 X 2 1/4" (GRADE 5)	2
103	NC02-10-0020	HEX.NUT 1/2"-20	2
104	NC01-69-0786	GREASE FITTING 1/4"-28 (45°)	1
105	82-57-0301	BEFORE 05/2016 CHUTE (BOTTOM SECTION) (MS 24-D)	1
N/I	82-57-0302	AFTER 05/2016 CHUTE (BOTTOM SECTION) (MS 24-D)	1
106	82-57-0311	CHUTE (MIDDEL SECTION) (MS 24-D)	1
107	82-57-0321	CHUTE (TOP SECTION) (MS 24-D)	1
108	NC13-45-0209	HYDRAULIC CYLINDER	1
109	NC01-67-0304	END LINK 3/8"-24	4
110	48-13-0600	CHUTE ROD	2

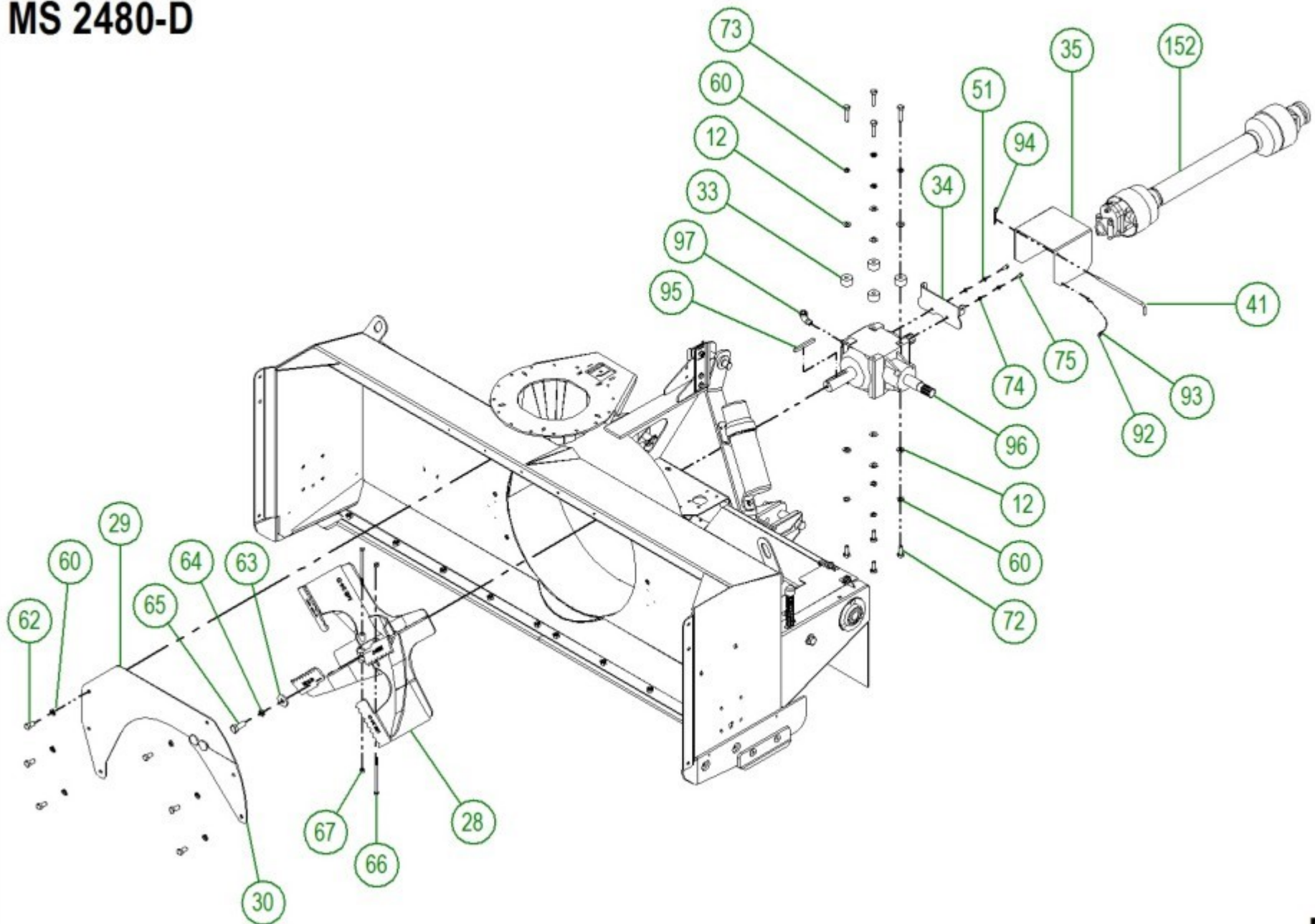
FRAME (MS-2474-D)

REF.	PART NO.	DESCRIPTION	QTE
111	NC02-10-0018	HEX.NUT 3/8"-24	4
112	NC13-80-0213	SPRING-LOCK	1
113	NC01-96-0006	NYLON INSERT LOCKNUTS 10-24	4
114	82-57-0361	BEFORE 05/2016 CHUTE DOOR (MS 24-D)	1
N/I	82-57-0352	AFTER 05/2016 CHUTE DOOR (MS 24-D)	1
115	NC17-46-0018	PLASTIC KNOB	1
116	NC01-17-0119	HEX.BOLT 3/8"-16 X 2 1/4" LG (GRADE 2)	1
117	48-50-1030	HYDRAULIC HOSE SUPPORT	1
118	82-50-0341	BEFORE 05/2016 PIVOT (MS 24-D)	2
N/I	82-20-0250	AFTER 05/2016 PIVOT (MS 24-D)	2
119	NC01-54-0110	BOLT 3/16 X 3/4 (STAINLESS STEEL)	4
120	NC01-07-0113	CARR.BOLT 3/8"-16 X 2" LONG (GRADE 5)	2
121	NC01-25-0117	HEX. BOLT GR5 NC ZINC 3/8"-16 X 1 3/4"	2
122	NC01-69-0139	SPLIT PIN 1/8" X 3/4"	2
123	NC13-45-0038	ELBOW 90° 3/8 FEM.NPT X 3/8 MALE NPT	2
124	NC13-45-0014	QUICK DISCON.COUPLER 1/2"-14 NPTF	4
125	NC13-45-0153	HEX.REDUCER 1/4 FEM. NPT X 1/2 MÅLE NPT	4
126	NC17-02-0329	HYDRAULIC HOSE (87" LG)	2
127	32-21-0010	HYDRAULIC RESTRICTOR	2
128	82-01-0951	CHUTE SUPPORT (MS 24-D)	3
129	80-21-0005	BUSHING	3
130	NC17-46-0006	BLACK UHMW WHEEL	3
131	NC02-45-0634	ALLEN SET SCREW M10 X 1.5 PITCH X 30MM (STAINLESS)	3
132	NC02-14-0727	HEX. THIN NUT M10 X 1.5 PITCH (STAINLESS)	3
133	NC17-02-0328	HYDRAULIC HOSE (63" LG)	2
134	32-21-0010	HYDRAULIC RESTRICTOR	2
135	80-50-0200	REINFORCING KNIFE (TOP)	2
136	80-42-0130	RIGHT KNIFE (UHMW)	1
137	80-42-0131	LEFT KNIFE (UHMW)	1
138	80-04-0333	REINFORCING KNIFE (UNDER)	2
139	NC02-48-0548	FLAT HEAD SOCKET CAP SREWS 1/2"-13 X 2" LG (STAINLESS STEEL)	8
140	80-50-0057	ADJUSTABLE SKATE FOR SOLE IN (UHMW)	2
141	80-42-0125	SOLE (UHMW)	2
142	NC02-48-0545	FLAT HEAD SOCKET CAP SREWS 1/2"-13 X 1 1/4" LG (STAINLESS STEEL)	8
143	80-20-0155	KNIFE (STAINLESS STEEL)	2
144	80-50-0087	LATERAL SKATE (STAINLESS STEEL)	2
145	80-50-0058	AJUSTABLE SKATE (STAINLESS STEEL)	2
146	80-50-0085	LATERAL SKATE (#450 HARDNESS STEEL)	2
147	80-50-0055	AJUSTABLE SKATE (#450 HARDNESS STEEL)	2
148	80-20-0450	KNIFE (#450 HARDNESS STEEL)	2
149	NC02-48-0052	FLAT HEAD SOCKET CAP SCEW T.FRA 5/8-11" X 1 1/4"	4
150	NC01-09-0029	PLOW BOLT NC.Z 1/2-13" X 1 1/4 "(GRADE 5)	8
151	NC01-93-0014	STOP NUT 1/2"-13	8
152	82-34-0030	PTO SHAFT T40 (540RPM)	1

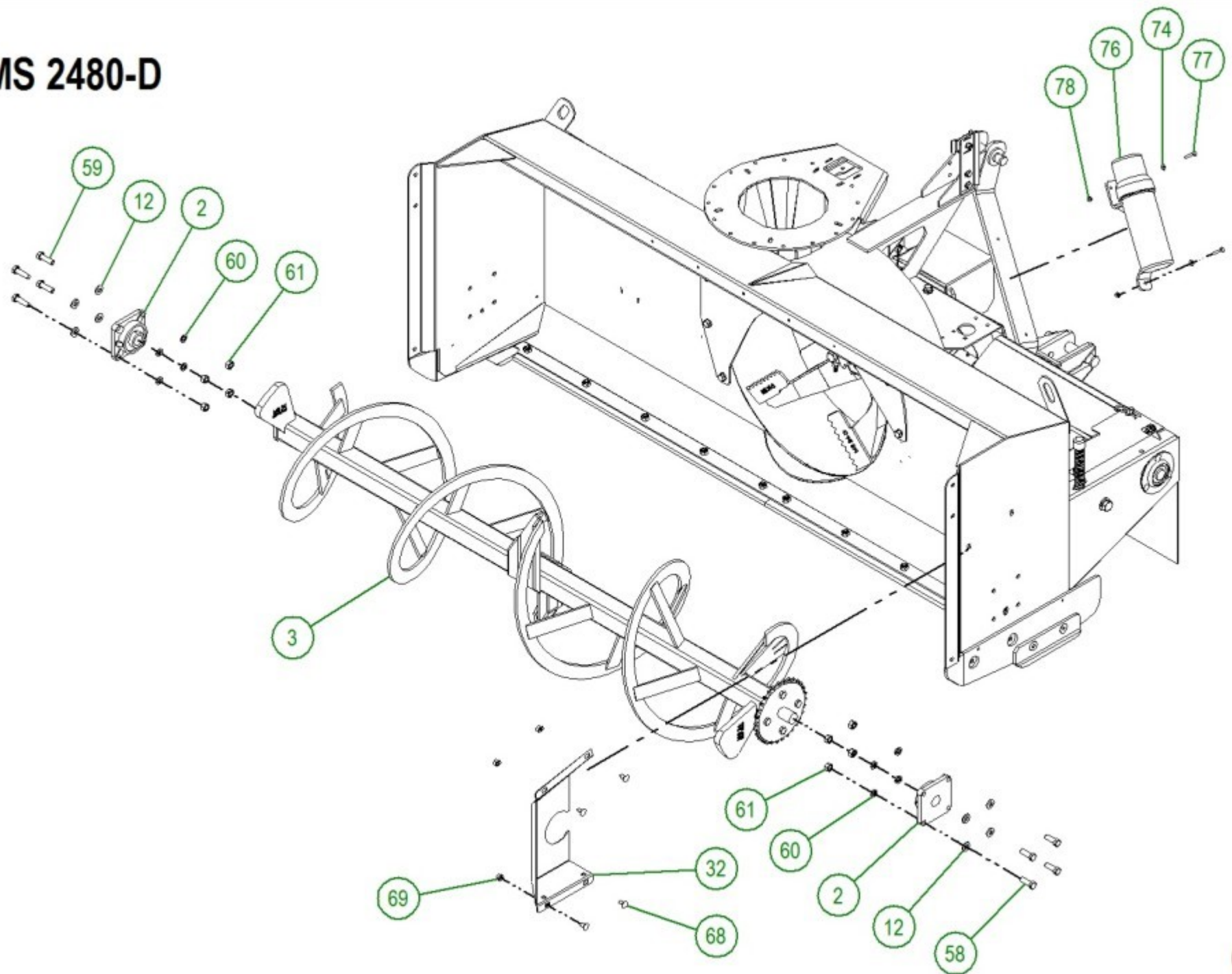
MS 2480-D



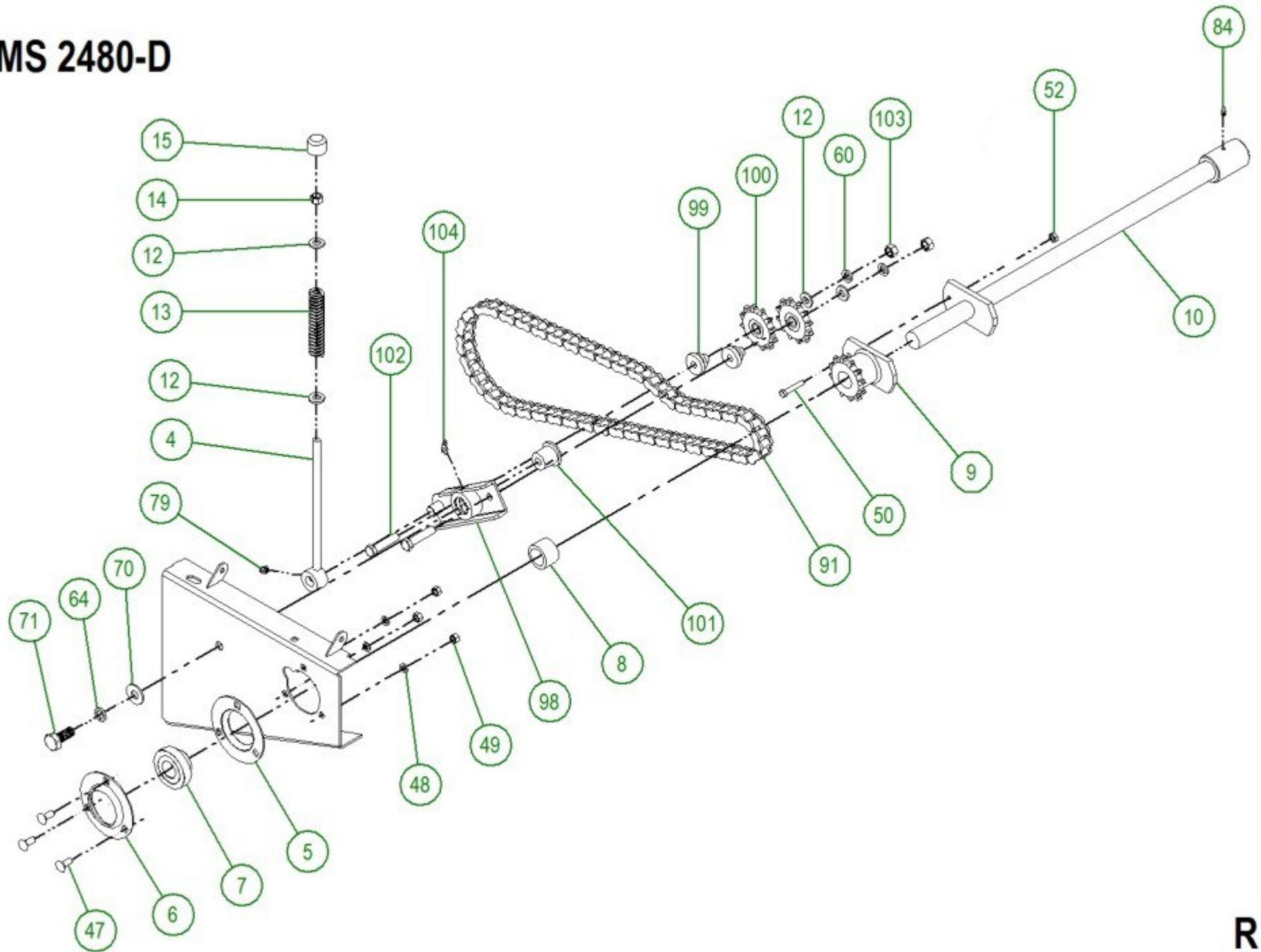
MS 2480-D



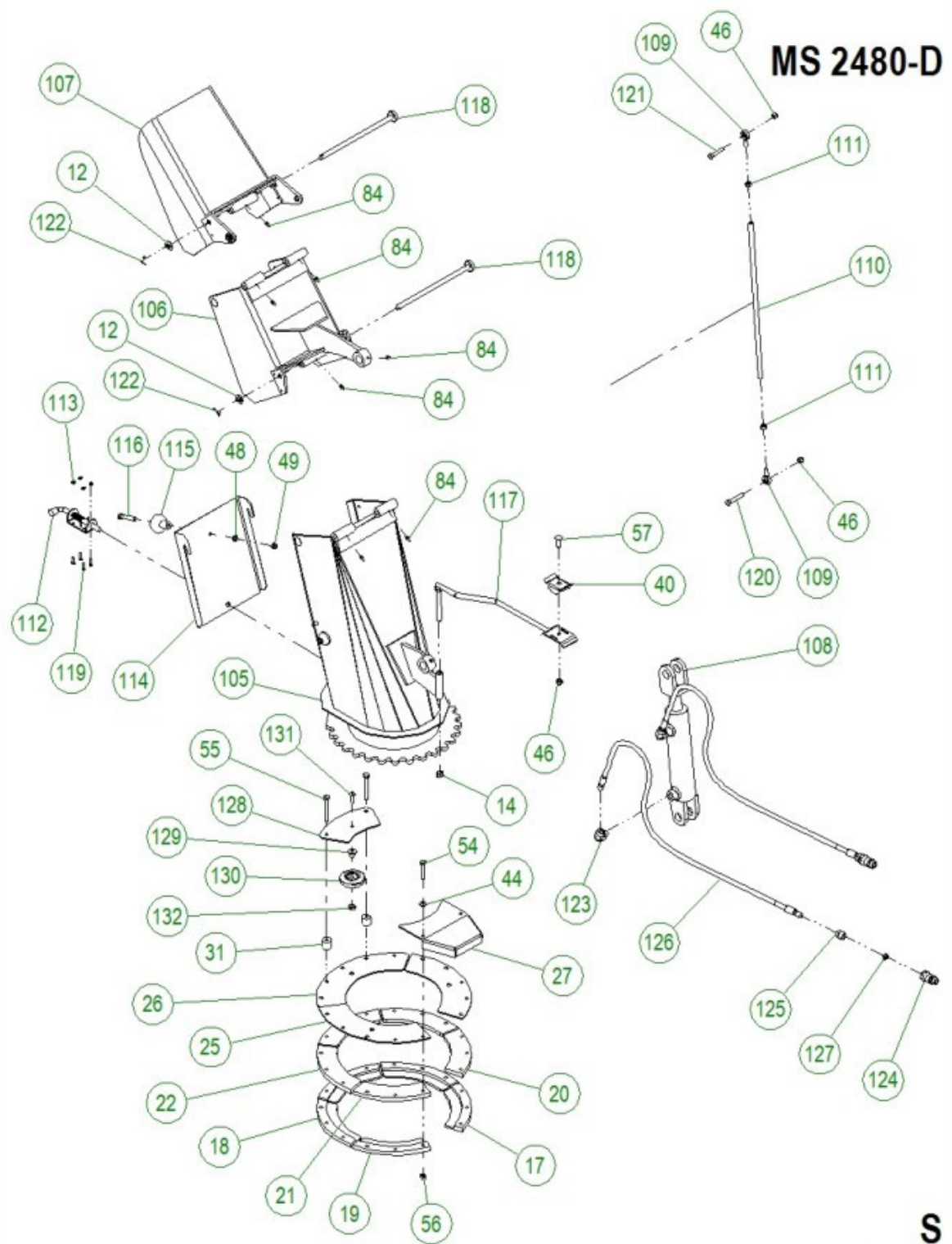
MS 2480-D



MS 2480-D



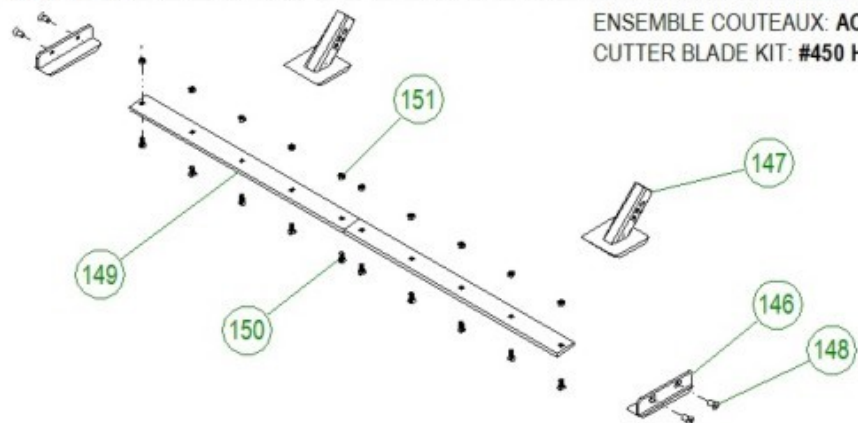
MS 2480-D



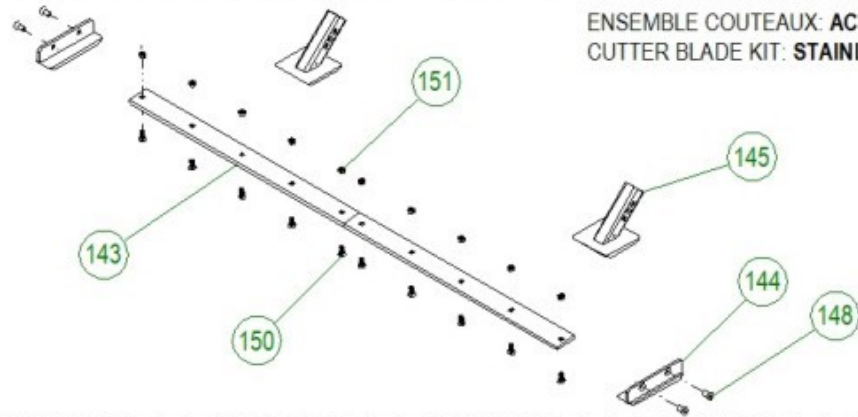
MS 2480-D



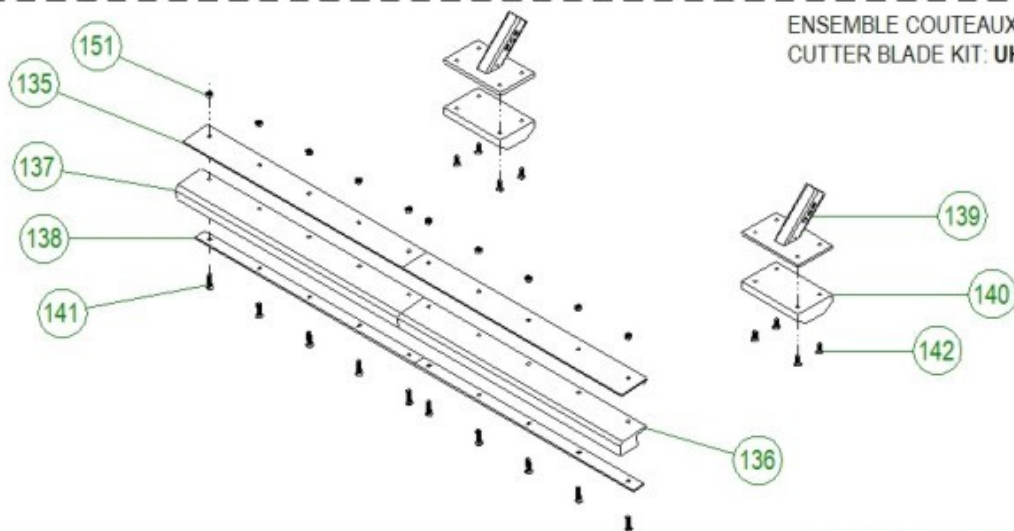
ENSEMBLE COUTEAUX: **ACIER 450**
CUTTER BLADE KIT: **#450 HARDNESS STEEL**



ENSEMBLE COUTEAUX: **ACIER INOXYDABLE**
CUTTER BLADE KIT: **STAINLESS STEEL**



ENSEMBLE COUTEAUX: **UHMW**
CUTTER BLADE KIT: **UHMW**



T

FRAME (MS-2480-D)

REF.	PART NO.	DESCRIPTION	QTE
1	82-57-1001	FRAME (MS 2480-D)	1
2	NC14-75-0160	FLANGE BEARING	2
3	82-50-1080	SPIRAL (MS 2480-D)	1
N/I	80-36-0500	SPROCKET	1
4	80-50-0040	CHAIN TENSIONER (THREADED ROD)	1
5	NC14-75-0094	GREASE FITTING WITH PRESSED STEEL FLANGE	1
6	NC14-75-0093	PRESSED STEEL FLANGE	1
7	NC14-75-0162	BEARING	1
8	80-24-0000	BUSHING	1
9	NC14-55-0293	SPROCKET	1
10	82-50-1065	DRIVE SHAFT (MS 2480-D)	1
11	82-57-0036	CHAIN GUARD (MS 24-D)	1
12	NC02-25-0011	FLAT WASHER Ø 17/32"	22
13	NC13-86-0052	SPRING	1
14	NC01-96-0014	NYLON INSERT LOCKNUTS 1/2"-13	2
15	80-42-0110	CAP	1
16	NC13-15-0315	SNOW GUARD	1
17	46-42-0107	CHUTE GUIITE (BOTTOM LEFT)	1
18	46-42-0105	CHUTE GUIITE (BOTTOM)	3
19	46-42-0106	CHUTE GUIITE (BOTTOM RIGHT)	1
20	46-42-0102	CHUTE GUIDE (TOP)	1
21	46-42-0101	CHUTE GUIDE (TOP)	1
22	46-42-0100	CHUTE GUIDE (TOP)	3
23	NC14-45-0147	HYDRAULIC MOTOR	1
24	48-50-1025	HYDRAULIC MOTOR SPROCKET	1
25	82-01-0965	BRACE	2
26	82-01-0955	BRACE	1
27	82-01-3005	SPROCKET GUARD	1
28	82-50-0051	IMPELLER	1
29	82-50-0110	TOP SNOW GUARD	1
30	82-50-0113	RIGHT SNOW GUARD	1
31	80-21-0007	BUSHING	6
32	82-50-0071	CHAINE GUARD	1
33	80-21-0010	BUSHING	4
34	82-01-7510	PTO GUARD SUPPORT	1
35	82-57-0040	PTO GUARD	1
36	80-50-0093	STAND	1
37	48-20-0070	PIN (CAT. 1)	2
38	48-20-0075	PIN (CAT. 1)	1
39	80-01-7590	SUPPORT	1
40	48-01-7530	HYDRAULIC HOSE SUPPORT	2
41	82-13-0400	PTO GUARD PIVOT	1
42	NC01-78-0016	ALUMINIUM RIVET 3/16" X 5/8" LG	4
43	NC01-63-0026	HITCH PIN CLIPS 5/32" X 3" LG	3
44	01-01-2485	FLAT WASHER 13/16" Dia. X Ø 25/64" X 14GA	12
45	NC01-17-0114	HEX.BOLT 3/8"-16 X 1" LG (GRADE2)	4
46	NC01-96-0011	NYLON INSERT LOCKNUTS 3/8"-16	7
47	NC01-04-0109	CARR.BOLT 3/8"-16 X 1" LG (GRADE 2)	3
48	NC02-32-0012	LOCK WASHER Ø 3/8"	11
49	NC02-07-0018	HEX.NUT 3/8"-16	7
50	NC01-17-0063	HEX.BOLT 5/16"-18 X 1 3/4" LG (GR2)	7
51	NC02-32-0011	LOCK WASHER Ø 5/16"	2
52	NC01-93-0010	STOP NUT 5/16"-18	7
53	49-20-0210	PIN	2
54	NC01-17-0118	HEX.BOLT 3/8"-16 X 2" LG (GRADE 2)	6
55	NC01-17-0122	HEX.BOLT 3/8"-16 X 3" LONG (GRADE 2)	6

FRAME (MS-2480-D)

REF.	PART NO.	DESCRIPTION	QTE
56	NC01-93-0011	STOP NUT 3/8"-16	12
57	NC01-04-0110	CARRIAGE BOLT 3/8"-16 X 1 1/4" LG (GRADE 2)	2
58	NC01-17-0249	HEX.BOLT 1/2"-13 X 1 1/2" (GRADE 2)	4
59	NC01-17-0250	HEX. BOLT GR2 NC ZINC 1/2"-13 X 1 3/4"	4
60	NC02-32-0014	LOCK WASHER Ø 1/2"	24
61	NC02-07-0020	HEX.NUT 1/2"-13	8
62	NC01-25-0247	HEX.BOLT 1/2"-13 X 1" LG (GRADE 5)	6
63	80-04-0185	WASHER	1
64	NC02-32-0016	LOCK WASHER Ø 5/8"	2
65	NC01-17-0395	HEX. BOLT NC ZINC 5/8"-11" X 1 3/4" (GRADE 2)	1
66	NC01-37-0132	HEX. BOLT NF ZINC 3/8"-24 X 5 1/2" (GRADE 8)	2
67	NC01-94-0011	LOCKNUTS 3/8"-24	2
68	NC01-04-0107	CARR.BOLT 3/8"-16 X 3/4" LG (GRADE 2)	4
69	NC02-14-0019	FLANGE HEX. LOCKNUTS 3/8"-16 (GRADE B)	4
70	NC02-22-0013	FLAT WASHER 1 1/2" X Ø 5/8"	1
71	NC01-21-0394	HEX.BOLT 5/8"-18 X 1 1/2" (GRADE 2)	1
72	NC01-17-0248	HEX.BOLT 1/2"-13 X 1 1/4" LG (GRADE 2)	4
73	NC01-17-0251	HEX.BOLT 1/2"-13 X 2" (GRADE 2)	4
74	NC02-22-0008	FLAT WASHER Ø 5/16"	4
75	NC01-45-0184	METRIC BOLT 8MM X 20MM (GRADE 8.8)	2
76	NC13-30-0237	CAPSULE WITH END CAP	1
77	NC01-17-0007	HEX. BOLT GR2 NC ZINC 1/4"-20 X 1 1/4"	2
78	NC01-96-0009	NYLON INSERT LOCKNUTS 1/4"-20	2
79	NC01-69-0787	GREASE FITTING 1/4"-28 X 90°	1
80	NC01-69-1306	LOCK PIN 3/8" Dia. X 2 1/2" LG	1
81	NC01-17-0112	HEX.BOLT 3/8"-16 X 3/4" LG (GRADE 2)	4
82	NC13-45-0072	90° 7/8"-14 MALE SAE O RING X 3/8" FEM.TOUR.NPT	2
83	82-01-0970	SNOW GUARD REINFORCEMENT	1
84	NC01-69-0785	GREASE FITTING 1/4"-28 (STRAIGHT)	9
85	39-01-1105	WASHER	1
86	NC02-32-0010	LOCK WASHER Ø 1/4"	1
87	NC01-33-0005	HEX.BOLT 1/4"-20 X 7/8" LG (GRADE 8)	1
88	82-09-1300	BUSHING (CAT.2)	2
89	82-09-1210	BUSHING (CAT.2)	1
90	NC01-69-1100	LINCHPIN 3/8" Dia.	3
91	82-37-1005	CHAINE #60 HD	1
92	80-41-0135	STEEL CABLE	1
93	NC01-64-0005	ALUMINUM OVAL SLEEVE	2
94	NC01-63-0015	HITCH PIN CLIPS 1/8" X 2 5/8" LG	1
95	80-41-0900	IMPELLER KEY	1
96	NC14-10-0136	GEARBOX	1
97	NC13-65-0003	BRASS ELBOW 90° 3/8 FEM. NPT X 3/8 MALE NPT	1
98	80-50-0045	CHAIN TENSIONER	1
99	80-21-0020	CHAIN TENSIONER BUSHING (SPROCKET)	2
100	NC14-55-0295	SPROCKET	2
101	80-13-2400	CHAIN TENSIONER BUSHING	1
102	NC01-29-0252	HEX.BOLT 1/2"-20 X 2 1/4" (GRADE 5)	2
103	NC02-10-0020	HEX.NUT 1/2"-20	2
104	NC01-69-0786	GREASE FITTING 1/4"-28 (45°)	1
105	82-57-0301	BEFORE 05/2016 CHUTE (BOTTOM SECTION) (MS 24-D)	1
N/I	82-57-0302	AFTER 05/2016 CHUTE (BOTTOM SECTION) (MS 24-D)	1
106	82-57-0311	CHUTE (MIDDEL SECTION) (MS 24-D)	1
107	82-57-0321	CHUTE (TOP SECTION) (MS 24-D)	1
108	NC13-45-0209	HYDRAULIC CYLINDER	1
109	NC01-67-0304	END LINK 3/8"-24	4
110	48-13-0600	CHUTE ROD	2

FRAME (MS-2480-D)

REF.	PART NO.	DESCRIPTION	QTE
111	NC02-10-0018	HEX.NUT 3/8"-24	4
112	NC13-80-0213	SPRING-LOCK	1
113	NC01-96-0006	NYLON INSERT LOCKNUTS 10-24	4
114	82-57-0361	BEFORE 05/2016 CHUTE DOOR (MS 24-D)	1
N/I	82-57-0352	AFTER 05/2016 CHUTE DOOR (MS 24-D)	1
115	NC17-46-0018	PLASTIC KNOB	1
116	NC01-17-0119	HEX.BOLT 3/8"-16 X 2 1/4" LG (GRADE 2)	1
117	48-50-1030	HYDRAULIC HOSE SUPPORT	1
118	82-50-0341	BEFORE 05/2016 PIVOT (MS 24-D)	2
N/I	82-20-0250	AFTER 05/2016 PIVOT (MS 24-D)	2
119	NC01-54-0110	BOLT 3/16 X 3/4 (STAINLESS STEEL)	4
120	NC01-07-0113	CARR.BOLT 3/8"-16 X 2" LONG (GRADE 5)	2
121	NC01-25-0117	HEX. BOLT GR5 NC ZINC 3/8"-16 X 1 3/4"	2
122	NC01-69-0139	SPLIT PIN 1/8" X 3/4"	2
123	NC13-45-0038	ELBOW 90° 3/8 FEM.NPT X 3/8 MALE NPT	2
124	NC13-45-0014	QUICK DISCON.COUPLER 1/2"-14 NPTF	4
125	NC13-45-0153	HEX.REDUCER 1/4 FEM. NPT X 1/2 MÂLE NPT	4
126	NC17-02-0329	HYDRAULIC HOSE (87" LG)	2
127	32-21-0010	HYDRAULIC RESTRICTOR	2
128	82-01-0951	CHUTE SUPPORT (MS 24-D)	3
129	80-21-0005	BUSHING	3
130	NC17-46-0006	BLACK UHMW WHEEL	3
131	NC02-45-0634	ALLEN SET SCREW M10 X 1.5 PITCH X 30MM (STAINLESS)	3
132	NC02-14-0727	HEX. THIN NUT M10 X 1.5 PITCH (STAINLESS)	3
133	NC17-02-0328	HYDRAULIC HOSE (63" LG)	2
134	32-21-0010	HYDRAULIC RESTRICTOR	2
135	82-50-1200	REINFORCING KNIFE (TOP)	2
136	82-42-0105	RIGHT KNIFE (UHMW)	1
137	82-42-0106	RIGHT KNIFE (UHMW)	1
138	82-04-0310	REINFORCING KNIFE (UNDER)	2
139	80-50-0057	ADJUSTABLE SKATE FOR SOLE IN (UHMW)	2
140	80-42-0125	SOLE (UHMW)	2
141	NC02-48-0548	FLAT HEAD SOCKET CAP SREWS 1/2"-13 X 2" LG (STAINLESS STEEL)	10
142	NC02-48-0545	FLAT HEAD SOCKET CAP SREWS 1/2"-13 X 1 1/4" LG (STAINLESS STEEL)	8
143	82-20-0155	KNIFE (STAINLESS STEEL) (MS 2480-D)	2
144	80-50-0087	LATERAL SKATE (STAINLESS STEEL)	2
145	80-50-0058	AJUSTABLE SKATE (STAINLESS STEEL)	2
146	80-50-0085	LATERAL SKATE (#450 HARDNESS STEEL)	2
147	80-50-0055	AJUSTABLE SKATE (#450 HARDNESS STEEL)	2
148	NC02-48-0052	FLAT HEAD SOCKET CAP SCEW T.FRA 5/8-11" X 1 1/4"	4
149	82-20-0455	KNIFE QT-450 (MS 2480-D)	2
150	NC01-09-0029	PLOW BOLT NC.Z 1/2-13" X 1 1/4 "(GRADE 5)	10
151	NC01-93-0014	STOP NUT 1/2"-13	10
152	82-34-0030	PTO SHAFT T40 (540RPM)	1