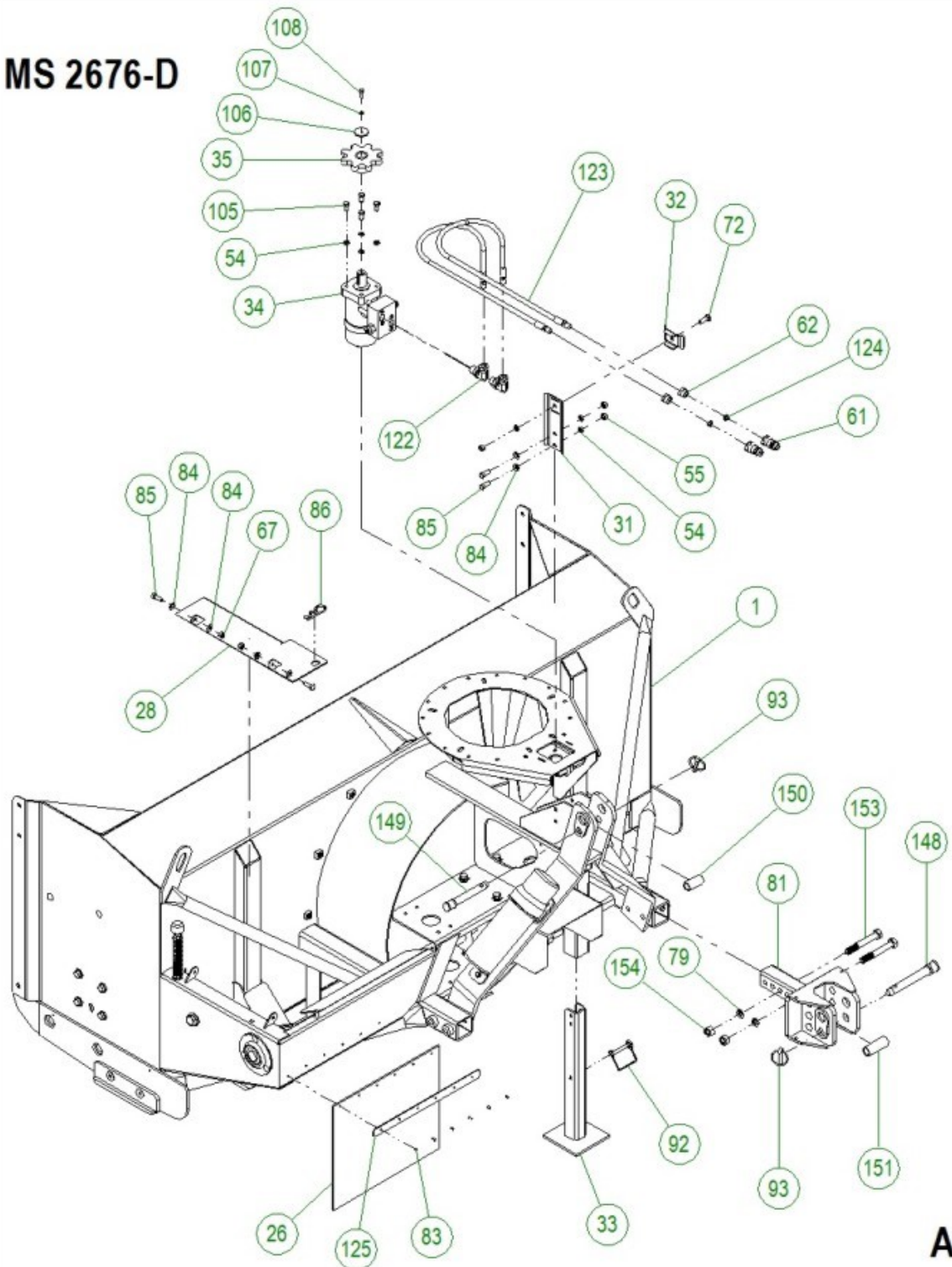
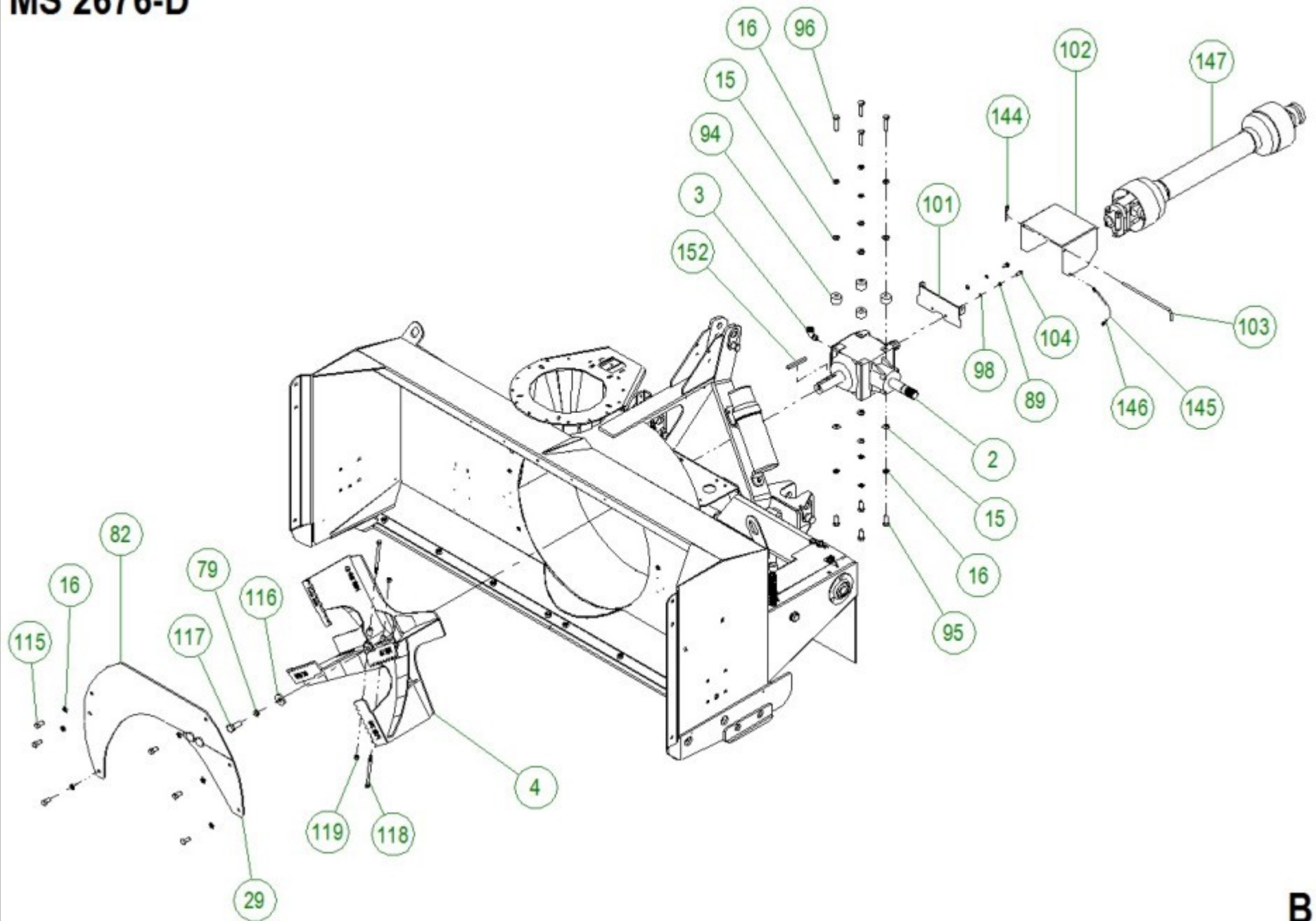


# MS 2676-D



A

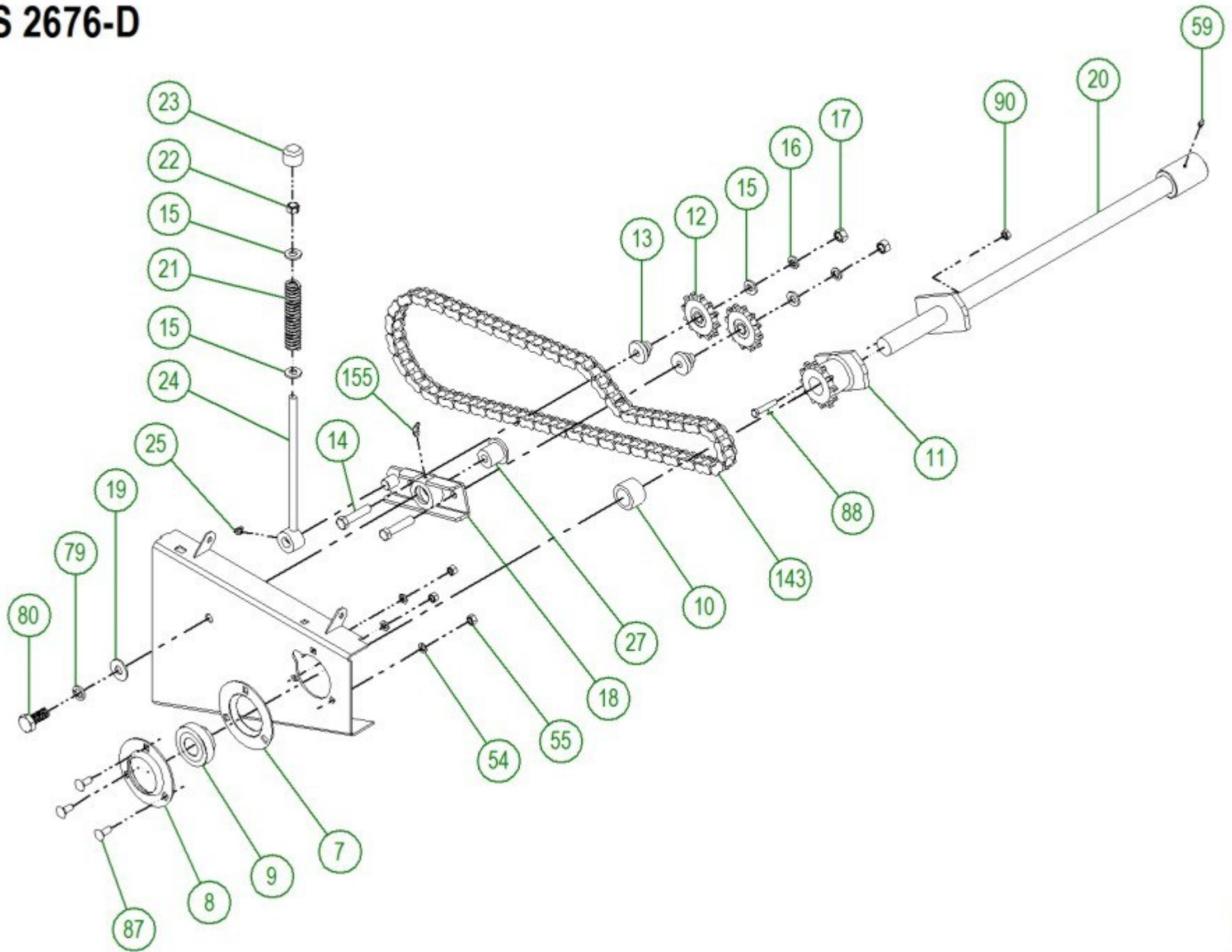
# MS 2676-D



**B**

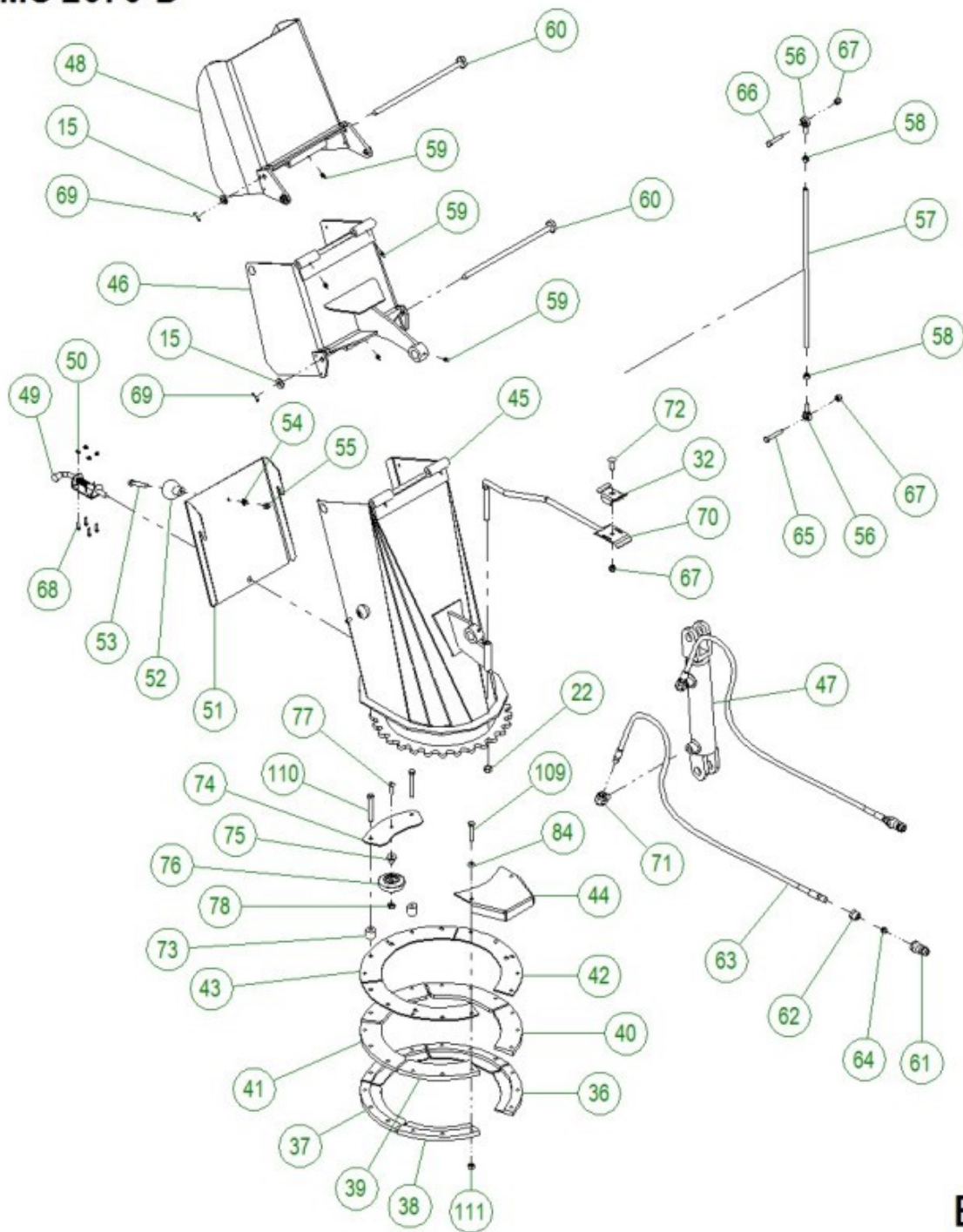


# MS 2676-D



D

# MS 2676-D



E



## FRAME (MS-2676-D)

REF.	PART NO.	DESCRIPTION	QTE
1	80-57-5000	FRAME (MS 2676-D)	1
2	NC14-10-0136	GEARBOX	1
3	NC13-65-0003	BRASS ELBOW 90° 3/8 FEM. NPT X 3/8 MALE NPT	1
4	80-50-5050	IMPELLER (MS 26-D)	1
5	NC14-75-0160	FLANGE BEARING	2
6	80-50-5080	SPIRAL (MS 2676-D)	1
N/I	80-36-0500	SPROCKET	1
7	NC14-75-0094	GREASE FITTING WITH PRESSED STEEL FLANGE	1
8	NC14-75-0093	PRESSED STEEL FLANGE	1
9	NC14-75-0162	BEARING	1
10	80-24-0000	BUSHING	1
11	NC14-55-0293	SPROCKET	1
12	NC14-55-0295	SPROCKET	2
13	80-21-0020	CHAIN TENSIONER BUSHING (SPROCKET)	2
14	NC01-29-0252	HEX.BOLT 1/2"-20 X 2 1/4" (GRADE 5)	2
15	NC02-25-0011	FLAT WASHER Ø 17/32"	22
16	NC02-32-0014	LOCK WASHER Ø 1/2"	24
17	NC02-10-0020	HEX.NUT 1/2"-20	2
18	80-50-0045	CHAIN TENSIONER	1
19	NC02-22-0013	FLAT WASHER 1 1/2" X Ø 5/8"	1
20	80-50-5065	DRIVE SHAFT (MS 2676-D)	1
21	NC13-86-0052	SPRING	1
22	NC01-96-0014	NYLON INSERT LOCKNUTS 1/2"-13	2
23	80-42-0110	CAP	1
24	80-50-0040	CHAIN TENSIONER (THREADED ROD)	1
25	NC01-69-0787	GREASE FITTING 1/4"-28 X 90°	1
26	NC13-15-0300	SNOW GUARD	1
27	80-13-2400	CHAIN TENSIONER BUSHING	1
28	80-57-5036	CHAIN GUARD (MS 26-D)	1
29	80-50-5113	RIGHT SNOW GUARD (MS 26-D)	1
30	80-50-5070	CHAIN GUARD (MS 26-D)	1
31	80-01-7590	SUPPORT	1
32	48-01-7530	HYDRAULIC HOSE SUPPORT	2
33	80-50-0093	STAND	1
34	NC14-45-0147	HYDRAULIC MOTOR	1
35	48-50-1025	HYDRAULIC MOTOR SPROCKET	1
36	46-42-0107	CHUTE GUTE (BOTTOM LEFT)	1
37	46-42-0105	CHUTE GUTE (BOTTOM)	3
38	46-42-0106	CHUTE GUTE (BOTTOM RIGHT)	1
39	46-42-0101	CHUTE GUIDE (TOP)	1
40	46-42-0102	CHUTE GUIDE (TOP)	1
41	46-42-0100	CHUTE GUIDE (TOP)	3
42	46-01-0955	BRACE	2
43	46-01-0960	BRACE	1
44	80-01-3000	GEAR GUARD	1
45	80-57-5300	BEFORE 05/2016 CHUTE (BOTTOM SECTION) (MS 26-D)	1
N/I	80-57-5301	AFTER 05/2016 CHUTE (BOTTOM SECTION) (MS 26-D)	1
46	80-57-5310	CHUTE (MIDDLE SECTION) (MS 26-D)	1
47	NC13-45-0209	HYDRAULIC CYLINDER	1
48	80-57-5320	CHUTE (TOP SECTION) (MS 26-D)	1
49	NC13-80-0213	SPRING-LOCK	1
50	NC01-96-0006	NYLON INSERT LOCKNUTS 10-24	4
51	80-57-5360	BEFORE 05/2016 CHUTE DOOR (MS 26-D)	1
N/I	80-57-5352	AFTER 05/2016 CHUTE DOOR (MS 26-D)	1
52	NC17-46-0018	PLASTIC KNOB	1
53	NC01-17-0119	HEX.BOLT 3/8"-16 X 2 1/4" LG (GRADE 2)	1

## FRAME (MS-2676-D)

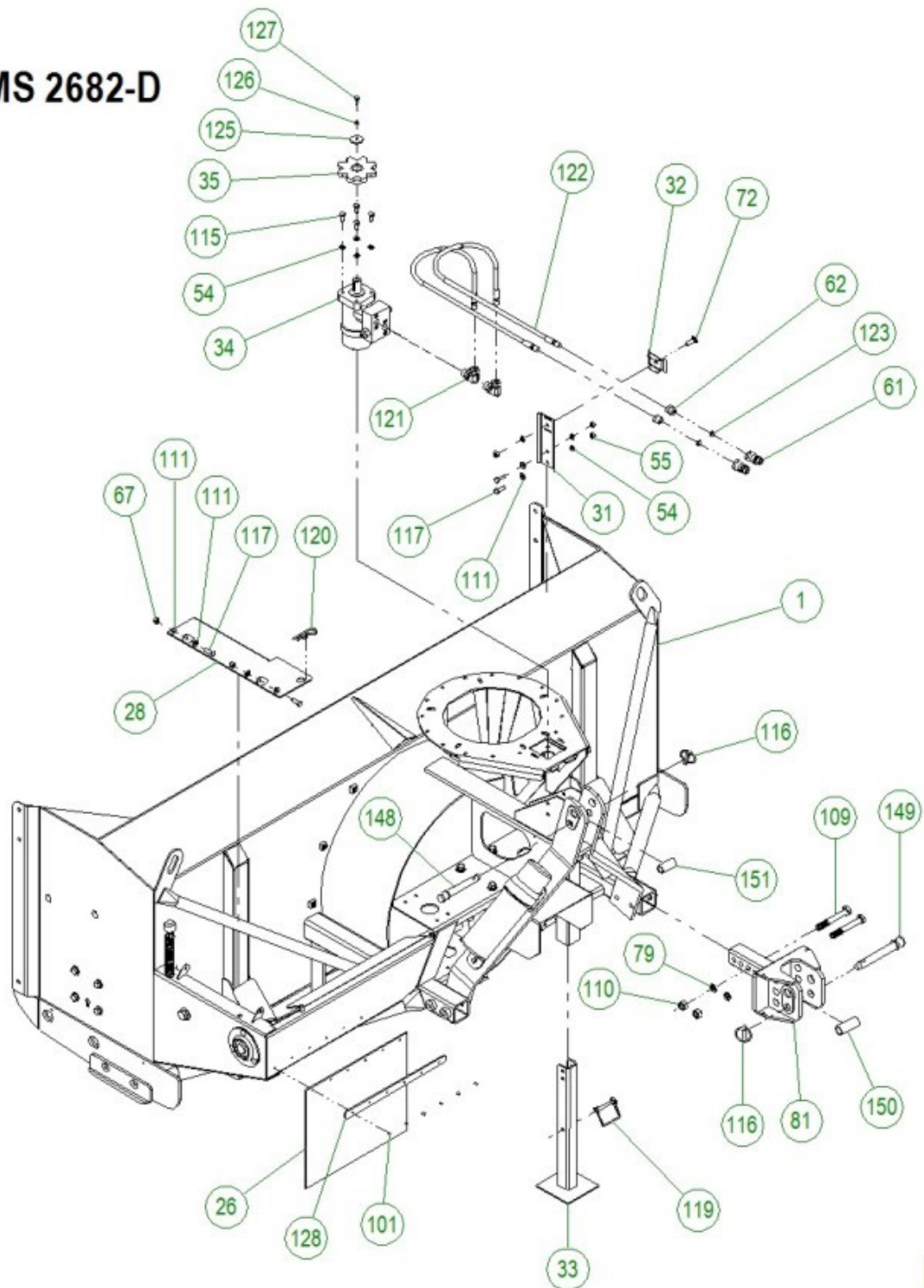
REF.	PART NO.	DESCRIPTION	QTE
54	NC02-32-0012	LOCK WASHER Ø 3/8"	11
55	NC02-07-0018	HEX.NUT 3/8"-16	7
56	NC01-67-0304	END LINK 3/8"-24	4
57	48-13-0600	CHUTE ROD	2
58	NC02-10-0018	HEX.NUT 3/8"-24	4
59	NC01-69-0785	GREASE FITTING 1/4"-28 (STRAIGHT)	9
60	80-50-5340	BEFORE 05/2016 PIVOT (MS 26-D)	2
N/I	80-20-0255	AFTER 05/2016 PIVOT (MS 26-D)	2
61	NC13-45-0014	QUICK DISCON.COUPLER 1/2"-14 NPTF	4
62	NC13-45-0153	HEX.REDUCER 1/4 FEM. NPT X 1/2 MÂLE NPT	4
63	NC17-02-0329	HYDRAULIC HOSE (87" LG)	2
64	32-21-0010	HYDRAULIC RESTRICTOR	2
65	NC01-07-0113	CARR.BOLT 3/8"-16 X 2" LONG (GRADE 5)	2
66	NC01-25-0117	HEX. BOLT GR5 NC ZINC 3/8"-16 X 1 3/4"	2
67	NC01-96-0011	NYLON INSERT LOCKNUTS 3/8"-16	7
68	NC01-54-0110	BOLT 3/16 X 3/4 (STANLESS STEEL)	4
69	NC01-69-0139	SPLIT PIN 1/8" X 3/4"	2
70	48-50-1030	HYDRAULIC HOSE SUPPORT	1
71	NC13-45-0038	ELBOW 90° 3/8 FEM.NPT X 3/8 MALE NPT	2
72	NC01-04-0110	CARRIAGE BOLT 3/8"-16 X 1 1/4" LG (GRADE 2)	2
73	80-21-0007	BUSHING	6
74	80-01-1040	CHUTE SUPPORT	3
75	80-21-0005	BUSHING	3
76	NC17-46-0006	BLACK UHMW WHEEL	3
77	NC02-45-0634	ALLEN SET SCREW M10 X 1.5 PITCH X 30MM (STAINLESS)	3
78	NC02-14-0727	HEX. THIN NUT M10 X 1.5 PITCH (STAINLESS)	3
79	NC02-32-0016	LOCK WASHER Ø 5/8"	6
80	NC01-21-0394	HEX.BOLT 5/8"-18 X 1 1/2" (GRADE 2)	1
81	46-50-0100	3-POINTS HITCH	2
82	80-50-5111	LEFT SNOW GUARD (MS 26-D)	1
83	NC01-78-0016	ALUMINIUM RIVET 3/16" X 5/8" LG	6
84	01-01-2485	FLAT WASHER 13/16" Dia. X Ø 25/64" X 14GA	12
85	NC01-17-0114	HEX.BOLT 3/8"-16 X 1" LG (GRADE2)	4
86	NC01-63-0026	HITCH PIN CLIPS 5/32" X 3" LG	3
87	NC01-04-0109	CARR.BOLT 3/8"-16 X 1" LG (GRADE 2)	3
88	NC01-17-0063	HEX.BOLT 5/16"-18 X 1 3/4" LG (GR2)	7
89	NC02-32-0011	LOCK WASHER Ø 5/16"	2
90	NC01-93-0010	STOP NUT 5/16"-18	7
91	49-20-0210	PIN	2
92	NC01-69-1306	LOCK PIN 3/8" Dia. X 2 1/2" LG	1
93	NC01-69-1100	LINCHPIN 3/8" Dia.	3
94	80-21-0010	BUSHING	4
95	NC01-17-0248	HEX.BOLT 1/2"-13 X 1 1/4" LG (GRADE 2)	4
96	NC01-17-0251	HEX.BOLT 1/2"-13 X 2" (GRADE 2)	4
97	NC13-30-0237	CAPSULE WITH END CAP	1
98	NC02-22-0008	FLAT WASHER Ø 5/16"	4
99	NC01-17-0007	HEX. BOLT GR2 NC ZINC 1/4"-20 X 1 1/4"	2
100	NC01-96-0009	NYLON INSERT LOCKNUTS 1/4"-20	2
101	80-01-7525	PTO GUARD SUPPORT (MS 26 & 26-D)	1
102	80-57-0040	PTO GUARD (MS 26 & 26-D)	1
103	80-13-0400	PTO GUARD PIVOT	1
104	NC01-45-0184	METRIC BOLT 8MM X 20MM (GRADE 8.8)	2
105	NC01-17-0112	HEX.BOLT 3/8"-16 X 3/4" LG (GRADE 2)	4
106	39-01-1105	WASHER	1
107	NC02-32-0010	LOCK WASHER Ø 1/4"	1
108	NC01-33-0005	HEX.BOLT 1/4"-20 X 7/8" LG (GRADE 8)	1



## FRAME (MS-2676-D)

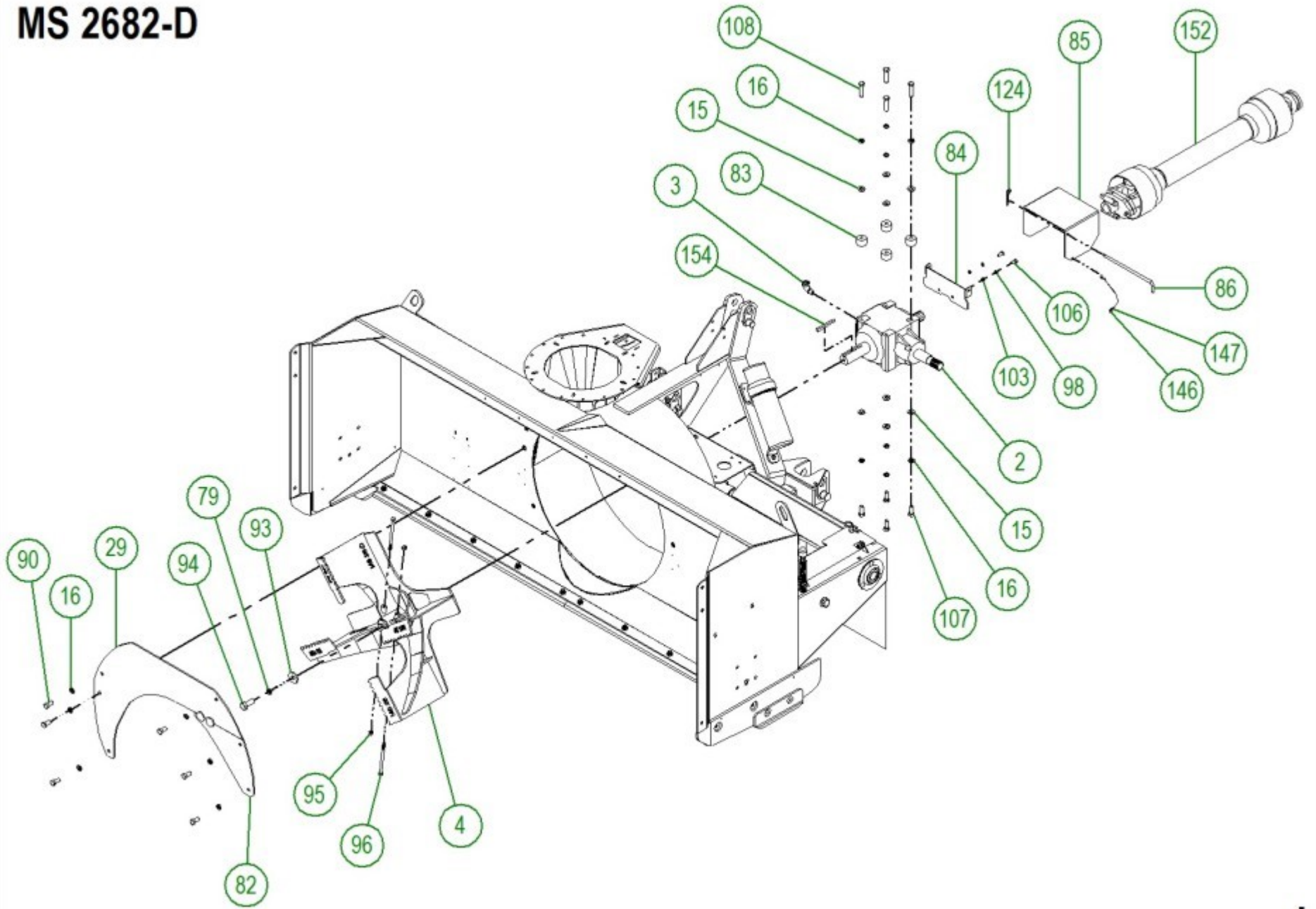
REF.	PART NO.	DESCRIPTION	QTE
109	NC01-17-0118	HEX.BOLT 3/8"-16 X 2" LG (GRADE 2)	6
110	NC01-17-0122	HEX.BOLT 3/8"-16 X 3" LONG (GRADE 2)	6
111	NC01-93-0011	STOP NUT 3/8"-16	12
112	NC01-17-0250	HEX. BOLT GR2 NC ZINC 1/2"-13 X 1 3/4"	4
113	NC01-17-0249	HEX.BOLT 1/2"-13 X 1 1/2" (GRADE 2)	4
114	NC02-07-0020	HEX.NUT 1/2"-13	8
115	NC01-25-0247	HEX.BOLT 1/2"-13 X 1" LG (GRADE 5)	6
116	80-04-0185	WASHER	1
117	NC01-17-0395	HEX. BOLT NC ZINC 5/8"-11" X 1 3/4" (GRADE 2)	1
118	NC01-37-0132	HEX. BOLT NF ZINC 3/8"-24 X 5 1/2" (GRADE 8)	2
119	NC01-94-0011	LOCKNUTS 3/8"-24	2
120	NC01-04-0107	CARR.BOLT 3/8"-16 X 3/4" LG (GRADE 2)	4
121	NC02-14-0019	FLANGE HEX. LOCKNUTS 3/8"-16 (GRADE B)	4
122	NC13-45-0072	90° 7/8"-14 MALE SAE O RING X 3/8" FEM.TOUR.NPT	2
123	NC17-02-0328	HYDRAULIC HOSE (63" LG)	2
124	32-21-0010	HYDRAULIC RESTRICTOR	2
125	80-01-1075	SNOW GUARD REINFORCEMENT	1
126	80-50-5200	REINFORCING KNIFE (TOP)	2
127	80-42-0145	RIGHT KNIFE (UHMW)	1
128	80-42-0146	LEFT KNIFE (UHMW)	1
129	80-04-0370	REINFORCING KNIFE (UNDER)	2
130	80-50-0057	ADJUSTABLE SKATE FOR SOLE IN ( UHMW)	2
131	80-42-0125	SOLE (UHMW)	2
132	NC02-48-0548	FLAT HEAD SOCKET CAP SREWS 1/2"-13 X 2" LG (STAINLESS STEEL)	8
133	NC02-48-0545	FLAT HEAD SOCKET CAP SREWS 1/2"-13 X 1 1/4" LG (STAINLESS STEEL)	8
134	80-20-0175	KNIFE (STANLESS STEEL)	2
135	80-50-0087	LATERAL SKATE (STANLESS STEEL)	2
136	80-50-0058	AJUSTABLE SKATE (STAINLESS STEEL)	2
137	80-50-0085	LATERAL SKATE (#450 HARDNESS STEEL)	2
138	80-20-0470	KNIFE (#450 HARDNESS STEEL)	2
139	80-50-0055	AJUSTABLE SKATE (#450 HARDNESS STEEL)	2
140	NC02-48-0052	FLAT HEAD SOCKET CAP SCEW T.FRA 5/8"-11" X 1 1/4"	4
141	NC01-09-0029	PLOW BOLT NC.Z 1/2"-13" X 1 1/4 "(GRADE 5)	8
142	NC01-93-0014	STOP NUT 1/2"-13	8
143	80-37-1010	CHAIN #60 HD	1
144	NC01-63-0015	HITCH PIN CLIPS 1/8" X 2 5/8" LG	1
145	80-41-0135	STEEL CABLE	1
146	NC01-64-0005	ALUMINUM OVAL SLEEVE	2
147	80-34-0030	PTO SHAFT T60 (540RPM)	1
148	48-20-0070	PIN (CAT. 1)	2
149	48-20-0075	PIN (CAT. 1)	1
150	82-09-1210	BUSHING (CAT.2)	1
151	80-09-1300	BUSHING (CAT.2)	2
152	80-41-0900	IMPELLER KEY	1
153	NC01-33-0406	HEX.BOLT 5/8"-11 X 4 1/2" LG (GRADE 8)	4
154	NC02-07-0022	HEX. NUT 5/8"-11	4
155	NC01-69-0786	GREASE FITTING 1/4"-28 (45°)	1

# MS 2682-D



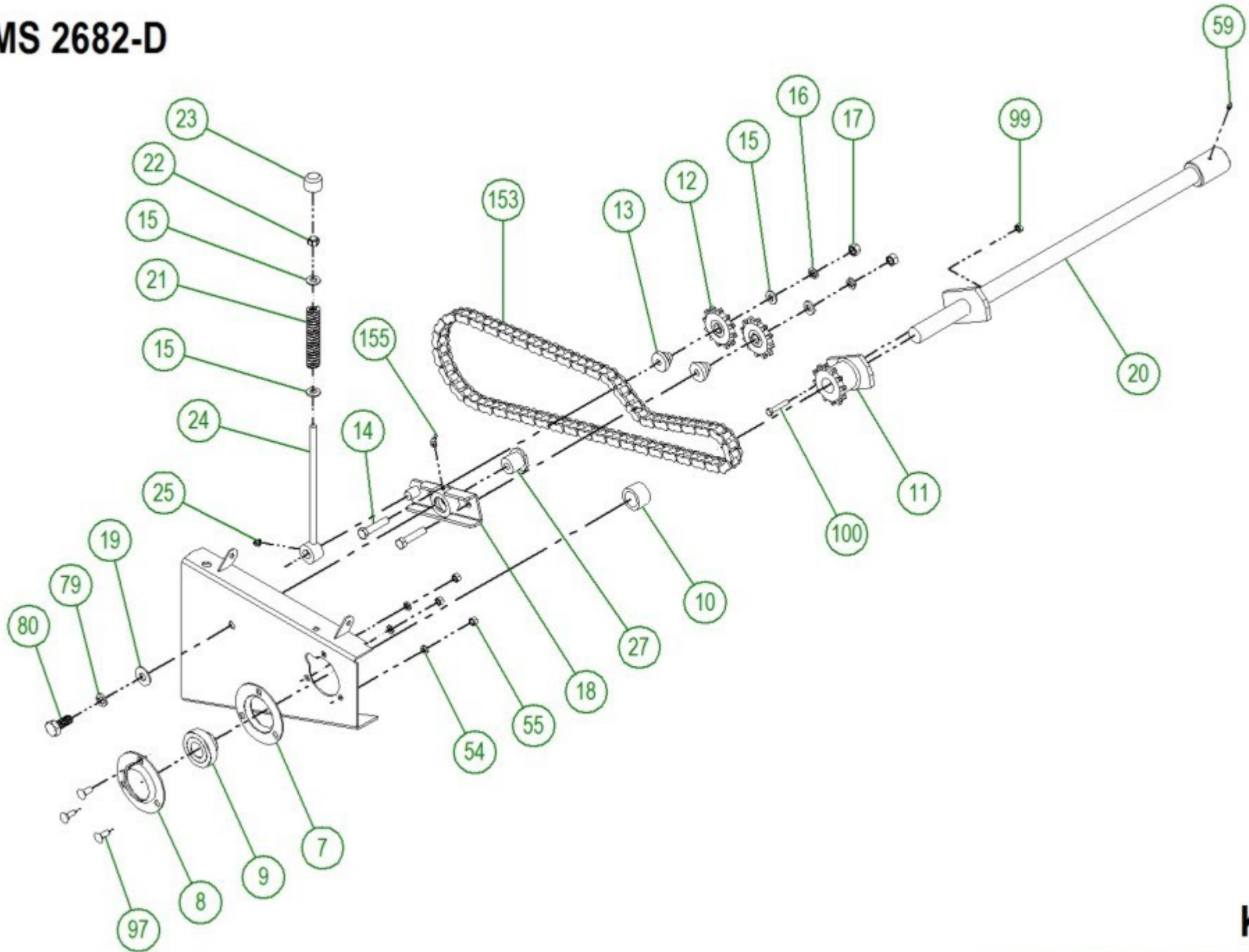
H

# MS 2682-D





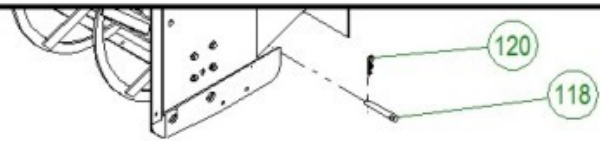
# MS 2682-D



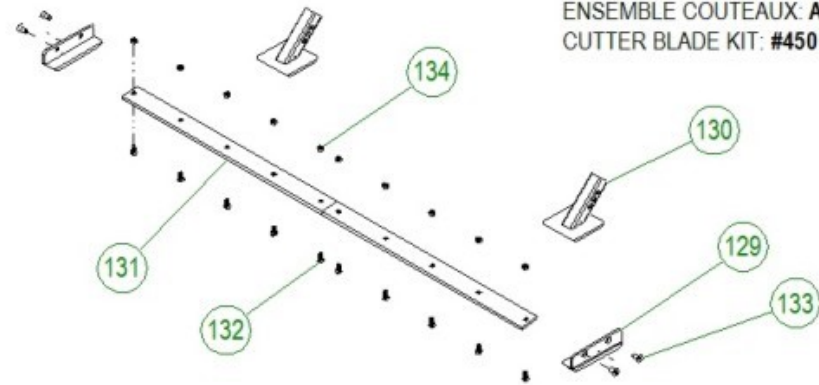
K



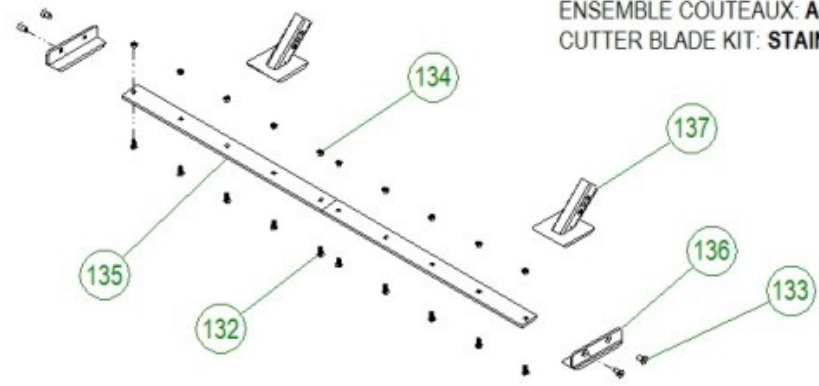
# MS 2682-D



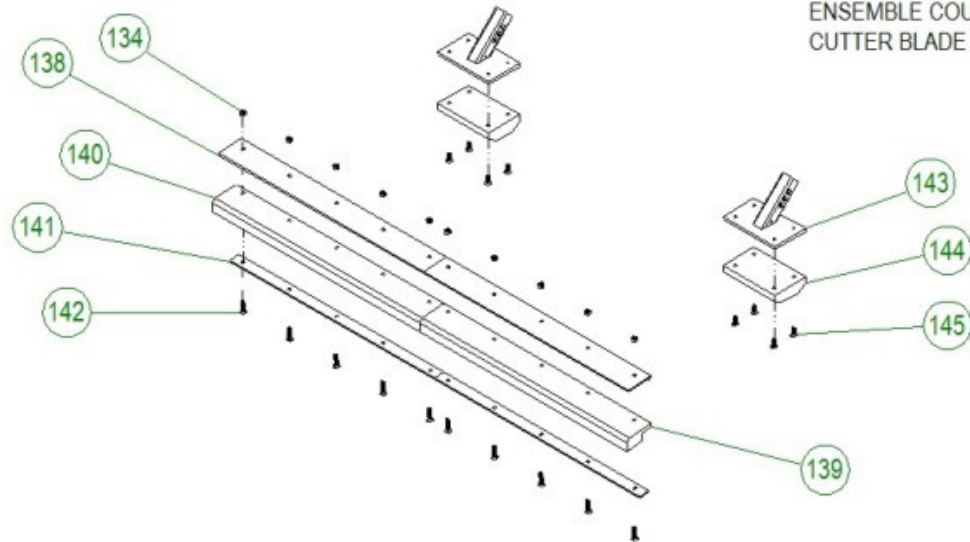
ENSEMBLE COUTEAUX: **ACIER 450**  
CUTTER BLADE KIT: **#450 HARDNESS STEEL**



ENSEMBLE COUTEAUX: **ACIER INOXYDABLE**  
CUTTER BLADE KIT: **STAINLESS STEEL**



ENSEMBLE COUTEAUX: **UHMW**  
CUTTER BLADE KIT: **UHMW**



**M**

## FRAME (MS-2682-D)

REF.	PART NO.	DESCRIPTION	QTE
1	80-57-5500	FRAME (MS 2682-D)	1
2	NC14-10-0136	GEARBOX	1
3	NC13-65-0003	BRASS ELBOW 90° 3/8 FEM. NPT X 3/8 MALE NPT	1
4	80-50-5050	IMPELLER (MS 26-D)	1
5	NC14-75-0160	FLANGE BEARING	2
6	80-50-5580	SPIRAL (MS 2682-D)	1
N/I	80-36-0500	SPROCKET	1
7	NC14-75-0094	GREASE FITTING WITH PRESSED STEEL FLANGE	1
8	NC14-75-0093	PRESSED STEEL FLANGE	1
9	NC14-75-0162	BEARING	1
10	80-24-0000	BUSHING	1
11	NC14-55-0293	SPROCKET	1
12	NC14-55-0295	SPROCKET	2
13	80-21-0020	CHAIN TENSIONER BUSHING (SPROCKET)	2
14	NC01-29-0252	HEX.BOLT 1/2"-20 X 2 1/4" (GRADE 5)	2
15	NC02-25-0011	FLAT WASHER Ø 17/32"	22
16	NC02-32-0014	LOCK WASHER Ø 1/2"	24
17	NC02-10-0020	HEX.NUT 1/2"-20	2
18	80-50-0045	CHAIN TENSIONER	1
19	NC02-22-0013	FLAT WASHER 1 1/2" X Ø 5/8"	1
20	80-50-0565	DRIVE SHAFT (MS 2682 & MS 2682-D)	1
21	NC13-86-0052	SPRING	1
22	NC01-96-0014	NYLON INSERT LOCKNUTS 1/2"-13	2
23	80-42-0110	CAP	1
24	80-50-0040	CHAIN TENSIONER (THREADED ROD)	1
25	NC01-69-0787	GREASE FITTING 1/4"-28 X 90°	1
26	NC13-15-0300	SNOW GUARD	1
27	80-13-2400	CHAIN TENSIONER BUSHING	1
28	80-57-5036	CHAIN GUARD (MS 26-D)	1
29	80-50-5111	LEFT SNOW GUARD (MS 26-D)	1
30	80-50-5070	CHAIN GUARD (MS 26-D)	1
31	80-01-7590	SUPPORT	1
32	48-01-7530	HYDRAULIC HOSE SUPPORT	2
33	80-50-0093	STAND	1
34	NC14-45-0147	HYDRAULIC MOTOR	1
35	48-50-1025	HYDRAULIC MOTOR SPROCKET	1
36	46-42-0107	CHUTE GUTE (BOTTOM LEFT)	1
37	46-42-0105	CHUTE GUTE (BOTTOM)	3
38	46-42-0106	CHUTE GUTE (BOTTOM RIGHT)	1
39	46-42-0101	CHUTE GUIDE (TOP)	1
40	46-42-0102	CHUTE GUIDE (TOP)	1
41	46-42-0100	CHUTE GUIDE (TOP)	3
42	46-01-0955	BRACE	2
43	46-01-0960	BRACE	1
44	80-01-3000	GEAR GUARD	1
45	80-57-5300	BEFORE 05/2016 CHUTE (BOTTOM SECTION) (MS 26-D)	1
N/I	80-57-5301	AFTER 05/2016 CHUTE (BOTTOM SECTION) (MS 26-D)	1
46	80-57-5310	CHUTE (MIDDLE SECTION) (MS 26-D)	1
47	NC13-45-0209	HYDRAULIC CYLINDER	1
48	80-57-5320	CHUTE (TOP SECTION) (MS 26-D)	1
49	NC13-80-0213	SPRING-LOCK	1
50	NC01-96-0006	NYLON INSERT LOCKNUTS 10-24	4
51	80-57-5360	BEFORE 05/2016 CHUTE DOOR (MS 26-D)	1
N/I	80-57-5352	AFTER 05/2016 CHUTE DOOR (MS 26-D)	1
52	NC17-46-0018	PLASTIC KNOB	1
53	NC01-17-0119	HEX.BOLT 3/8"-16 X 2 1/4" LG (GRADE 2)	1



## FRAME (MS-2682-D)

REF.	PART NO.	DESCRIPTION	QTE
54	NC02-32-0012	LOCK WASHER Ø 3/8"	11
55	NC02-07-0018	HEX.NUT 3/8"-16	7
56	NC01-67-0304	END LINK 3/8"-24	4
57	48-13-0600	CHUTE ROD	2
58	NC02-10-0018	HEX.NUT 3/8"-24	4
59	NC01-69-0785	GREASE FITTING 1/4"-28 (STRAIGHT)	9
60	80-50-5340	BEFORE 05/2016 PIVOT (MS 26-D)	2
N/I	80-20-0255	AFTER 05/2016 PIVOT (MS 26-D)	2
61	NC13-45-0014	QUICK DISCON.COUPLER 1/2"-14 NPTF	4
62	NC13-45-0153	HEX.REDUCER 1/4 FEM. NPT X 1/2 MÂLE NPT	4
63	NC17-02-0329	HYDRAULIC HOSE (87" LG)	2
64	32-21-0010	HYDRAULIC RESTRICTOR	2
65	NC01-07-0113	CARR.BOLT 3/8"-16 X 2" LONG (GRADE 5)	2
66	NC01-25-0117	HEX. BOLT GR5 NC ZINC 3/8"-16 X 1 3/4"	2
67	NC01-96-0011	NYLON INSERT LOCKNUTS 3/8"-16	7
68	NC01-54-0110	BOLT 3/16 X 3/4 (STANLESS STEEL)	4
69	NC01-69-0139	SPLIT PIN 1/8" X 3/4"	2
70	48-50-1030	HYDRAULIC HOSE SUPPORT	1
71	NC13-45-0038	ELBOW 90° 3/8 FEM.NPT X 3/8 MALE NPT	2
72	NC01-04-0110	CARRIAGE BOLT 3/8"-16 X 1 1/4" LG (GRADE 2)	2
73	80-21-0007	BUSHING	6
74	80-01-1040	CHUTE SUPPORT	3
75	80-21-0005	BUSHING	3
76	NC17-46-0006	BLACK UHMW WHEEL	3
77	NC02-45-0634	ALLEN SET SCREW M10 X 1.5 PITCH X 30MM (STAINLESS)	3
78	NC02-14-0727	HEX. THIN NUT M10 X 1.5 PITCH (STAINLESS)	3
79	NC02-32-0016	LOCK WASHER Ø 5/8"	6
80	NC01-21-0394	HEX.BOLT 5/8"-18 X 1 1/2" (GRADE 2)	1
81	46-50-0100	3-POINTS HITCH	2
82	80-50-5113	RIGHT SNOW GUARD (MS 26-D)	1
83	80-21-0010	BUSHING	4
84	80-01-7525	PTO GUARD SUPPORT (MS 26 & 26-D)	1
85	80-57-0040	PTO GUARD (MS 26 & 26-D)	1
86	80-13-0400	PTO GUARD PIVOT	1
87	NC01-17-0249	HEX.BOLT 1/2"-13 X 1 1/2" (GRADE 2)	4
88	NC01-17-0250	HEX. BOLT GR2 NC ZINC 1/2"-13 X 1 3/4"	4
89	NC02-07-0020	HEX.NUT 1/2"-13	8
90	NC01-25-0247	HEX.BOLT 1/2"-13 X 1" LG (GRADE 5)	6
91	NC01-04-0107	CARR.BOLT 3/8"-16 X 3/4" LG (GRADE 2)	4
92	NC02-14-0019	FLANGE HEX. LOCKNUTS 3/8"-16 (GRADE B)	4
93	80-04-0185	WASHER	1
94	NC01-17-0395	HEX. BOLT NC ZINC 5/8"-11" X 1 3/4" (GRADE 2)	1
95	NC01-94-0011	LOCKNUTS 3/8"-24	2
96	NC01-37-0132	HEX. BOLT NF ZINC 3/8"-24 X 5 1/2" (GRADE 8)	2
97	NC01-04-0109	CARR.BOLT 3/8"-16 X 1" LG (GRADE 2)	3
98	NC02-32-0011	LOCK WASHER Ø 5/16"	2
99	NC01-93-0010	STOP NUT 5/16"-18	7
100	NC01-17-0063	HEX.BOLT 5/16"-18 X 1 3/4" LG (GR2)	7
101	NC01-78-0016	ALUMINIUM RIVET 3/16" X 5/8" LG	6
102	NC13-30-0237	CAPSULE WITH END CAP	1
103	NC02-22-0008	FLAT WASHER Ø 5/16"	4
104	NC01-17-0007	HEX. BOLT GR2 NC ZINC 1/4"-20 X 1 1/4"	2
105	NC01-96-0009	NYLON INSERT LOCKNUTS 1/4"-20	2
106	NC01-45-0184	METRIC BOLT 8MM X 20MM (GRADE 8.8)	2
107	NC01-17-0248	HEX.BOLT 1/2"-13 X 1 1/4" LG (GRADE 2)	4
108	NC01-17-0251	HEX.BOLT 1/2"-13 X 2" (GRADE 2)	4

## FRAME (MS-2682-D)

REF.	PART NO.	DESCRIPTION	QTE
109	NC01-33-0406	HEX.BOLT 5/8"-11 X 4 1/2" LG (GRADE 8)	4
110	NC02-07-0022	HEX. NUT 5/8"-11	4
111	01-01-2485	FLAT WASHER 13/16" Dia. X Ø 25/64" X 14GA	12
112	NC01-93-0011	STOP NUT 3/8"-16	12
113	NC01-17-0118	HEX.BOLT 3/8"-16 X 2" LG (GRADE 2)	6
114	NC01-17-0122	HEX.BOLT 3/8"-16 X 3" LONG (GRADE 2)	6
115	NC01-17-0112	HEX.BOLT 3/8"-16 X 3/4" LG (GRADE 2)	4
116	NC01-69-1100	LINCHPIN 3/8" Dia.	3
117	NC01-17-0114	HEX.BOLT 3/8"-16 X 1" LG (GRADE2)	4
118	49-20-0210	PIN	2
119	NC01-69-1306	LOCK PIN 3/8" Dia. X 2 1/2" LG	1
120	NC01-63-0026	HITCH PIN CLIPS 5/32" X 3" LG	3
121	NC13-45-0072	90° 7/8"-14 MALE SAE O RING X 3/8" FEM.TOUR.NPT	2
122	NC17-02-0328	HYDRAULIC HOSE (63" LG)	2
123	32-21-0010	HYDRAULIC RESTRICTOR	2
124	NC01-63-0015	HITCH PIN CLIPS 1/8" X 2 5/8" LG	1
125	39-01-1105	WASHER	1
126	NC02-32-0010	LOCK WASHER Ø 1/4"	1
127	NC01-33-0005	HEX.BOLT 1/4"-20 X 7/8" LG (GRADE 8)	1
128	80-01-1075	SNOW GUARD REINFORCEMENT	1
129	80-50-0085	LATERAL SKATE (#450 HARDNESS STEEL)	2
130	80-50-0055	AJUSTABLE SKATE (#450 HARDNESS STEEL)	2
131	80-20-0460	KNIFE (#450 HARDNESS STEEL)	2
132	NC01-09-0029	PLOW BOLT NC.Z 1/2-13" X 1 1/4" (GRADE 5)	10
133	NC02-48-0052	FLAT HEAD SOCKET CAP SCEW T.FRA 5/8-11" X 1 1/4"	4
134	NC01-93-0014	STOP NUT 1/2"-13	10
135	80-20-0160	KNIFE (STAINLESS)	2
136	80-50-0087	LATERAL SKATE (STAINLESS STEEL)	2
137	80-50-0058	AJUSTABLE SKATE (STAINLESS STEEL)	2
138	80-50-0700	REINFORCING KNIFE (TOP)	2
139	80-42-0135	RIGHT KNIFE (UHMW)	1
140	80-42-0136	LEFT KNIFE (UHMW)	1
141	80-04-0335	REINFORCING KNIFE (UNDER)	2
142	NC02-48-0548	FLAT HEAD SOCKET CAP SREWS 1/2"-13 X 2" LG (STAINLESS STEEL)	10
143	80-50-0057	ADJUSTABLE SKATE FOR SOLE IN ( UHMW)	2
144	80-42-0125	SOLE (UHMW)	2
145	NC02-48-0545	FLAT HEAD SOCKET CAP SREWS 1/2"-13 X 1 1/4" LG (STAINLESS STEEL)	8
146	80-41-0135	STEEL CABLE	1
147	NC01-64-0005	ALUMINUM OVAL SLEEVE	2
148	48-20-0075	PIN (CAT. 1)	1
149	48-20-0070	PIN (CAT. 1)	2
150	80-09-1300	BUSHING (CAT.2)	2
151	82-09-1210	BUSHING (CAT.2)	1
152	80-34-0030	PTO SHAFT T60 (540RPM)	1
153	80-37-1010	CHAIN #60 HD	1
154	80-41-0900	IMPELLER KEY	1
155	NC01-69-0786	GREASE FITTING 1/4"-28 (45°)	1