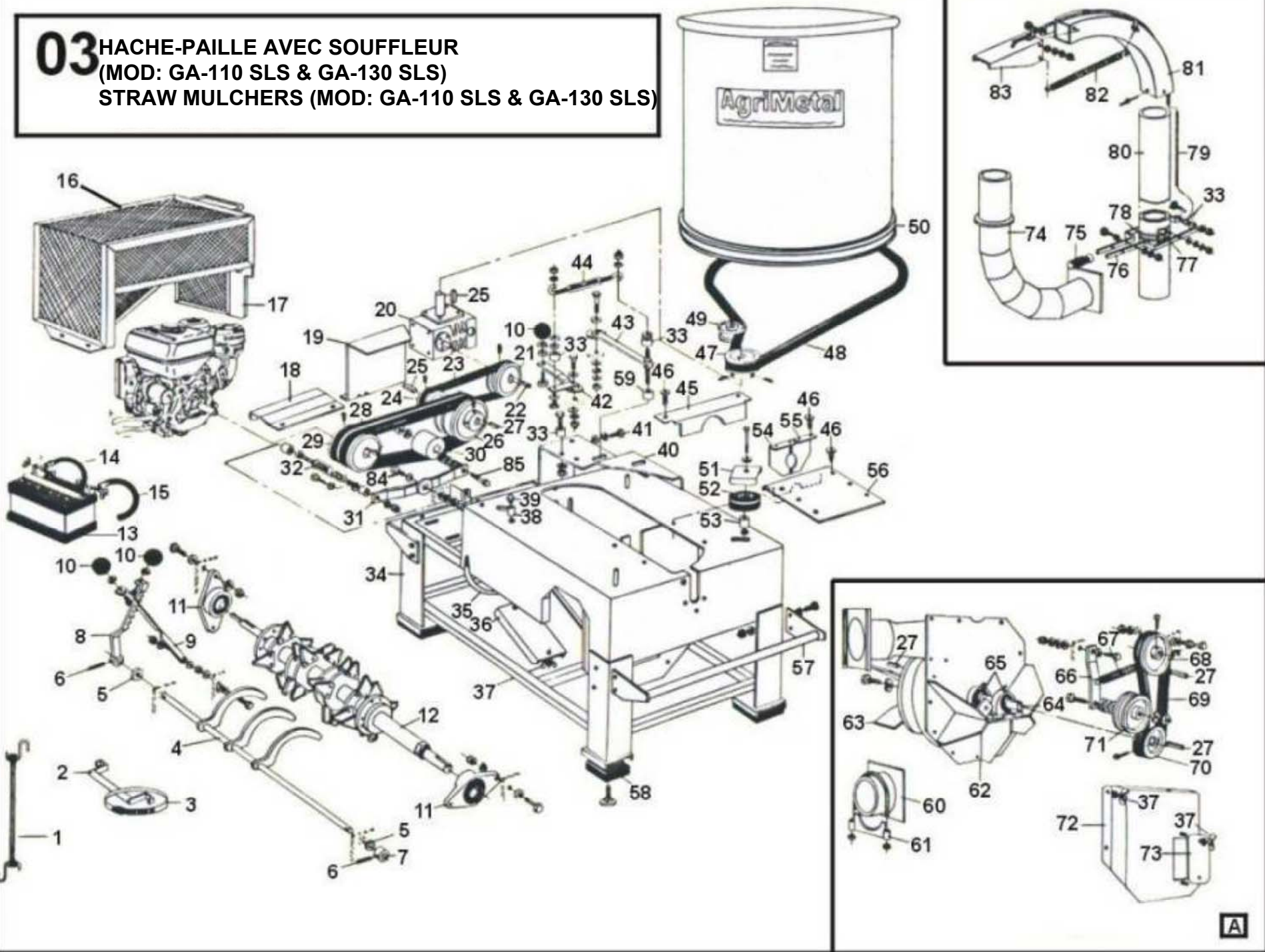


**03** HACHE-PAILLE AVEC SOUFFLEUR  
 (MOD: GA-110 SLS & GA-130 SLS)  
 STRAW MULCHERS (MOD: GA-110 SLS & GA-130 SLS)



## STRAW MULCHERS WITH BLOWER MOD: GA-110 SLS / GA-130 SLS

REF.	PART NO.	DESCRIPTION	QTE
1	NC13-15-0008	RUBBER STRAP 12" LG	1
2	03-50-0070	FLEXIBLE HOSE HANDLE	1
3	NC01-65-0076	COLLAR (HAS116)	2
4	03-50-0005	GRILL (3 FINGERS)	1
5	01-33-0035	FLAT WASHER 1 1/4" Dia. X Ø 3/4" X 10GA	2
N/I	01-33-0036	FLAT WASHER 1 1/4" DIA. X Ø 3/4" X 14GA	2
6	NC01-69-0463	SPRING PIN 1/4" X 1 3/4" LG	2
7	NC01-65-0086	COLLAR Ø 3/4" Dia.	1
8	01-50-0025	TEETH ARM	1
9	01-05-0500	ADJUSTABLE ARM	1
10	NC17-46-0018	PLASTIC KNOB	3
11	01-38-0005	FLANGE BEARING 205-16 X Ø 1" (SPECIAL)	2
12	03-55-0005	BEFORE -03/93 #00000- ROTOR ASSY. (HALF SECTION RIVETED KNIVES)	1
N/I	03-50-0001	BEFORE -03/93 #00000- HEXAGONE ROTOR SHAFT 35 1/4" LG	1
N/I	03-11-3505	BEFORE -03/93 #00000- SPACER 3 1/2" Dia. X 11GA X 2 7/8" LG	3
N/I	01-11-3500	BEFORE -03/93 #00000- SPACER 3 1/2" Dia. X 11GA X 1 3/8" LG	4
N/I	03-11-3510	BEFORE -03/93 #00000- SPACER 2" Dia. X 11GA X 9.312" LONG	1
N/I	NC17-30-0002	BEFORE -03/93 #00000- HALF SECTION KNIVES	2
N/I	01-55-0005	BEFORE -03/93 #00000- HALF SECTION RIVETED KNIVES ASSY.	14
N/I	NC01-98-0021	BEFORE -03/93 #00000- NYLON INSERT LOCKNUTS 1 1/4"-18	1
12	03-55-0015	AFTER -03/93 #00000- ROTOR ASSY. (BOLT KNIVES AND HEX.WASHER )	1
N/I	03-50-0001	AFTER -03/93 #00000- HEXAGONE ROTOR SHAFT 35 1/4" LG	1
N/I	01-11-3520	AFTER -03/93 #00000- SPACER 2" Dia. X 11GA X 1.310" LG	4
N/I	03-11-3510	AFTER -03/93 #00000- SPACER 2" Dia. X 11GA X 9.312" LONG	1
N/I	01-11-3515	AFTER -03/93 #00000- SPACER 2" Dia. X 11GA X 2.810" LG	3
N/I	01-57-0045	AFTER -03/93 #00000- ROTOR ADJUSTMENT SPACER KIT	1
N/I	03-20-0005	AFTER -03/93 #00000- HEX. WASHER 5 1/2" Dia.	1
N/I	01-55-0007	AFTER -03/93 #00000- BOLTED KNIFE AND HEX. WASHER ASSY.	7
N/I	NC13-22-0001	AFTER -03/93 #00000- SIMPLE KNIVES	28
N/I	NC01-29-0003	AFTER -03/93 #00000- HEX.BOLT.1/4"-28 X 5/8" LG (GRADE 5)	56
N/I	NC01-97-0004	AFTER -03/93 #00000- NYLON INSERT LOCKNUTS 1/4"-28	56
N/I	NC01-98-0021	AFTER -03/93 #00000- NYLON INSERT LOCKNUTS 1 1/4"-18	1
13	NC13-12-0001	BATTERY (12 VOLTS)	1
14	03-55-0127	POSITIVE CABLE (36" LG)	1
15	03-55-0126	NEGATIVE CABLE (34" LG)	1
16	03-55-0129	MOTOR,S HOODS ASSY.. "STICKER INCLUDED"	1
17	03-55-0050	MUFFLEUR HOODS ASSY.	1
18	01-55-0039	ENGINE BELT GUARD "STICKER INCLUDED"	1
19	01-55-0037	ROTOR BELT GUARD "STICKER INCLUDED"	1
20	NC14-10-0012	SPEED REDUCER BH40-L-10:1	1
21	NC14-62-0034	BEFORE -06/05 #00000- PULLEY 1MA40 X Ø 1/2" KW 1/8"	1
N/I	03-39-0005	AFTER -06/05 #00000- SPECIAL PULLEY 1MA40 X Ø 1/2" KW 1/8" 2SS 5/16"-18	1
22	01-41-0900	SQUARE KEY 1/8" X 1/8" X 1" LG	1
23	NC14-25-0083	V-BELT 4L270 (1/2" X 27")	1
24	NC14-62-0029	BEFORE -10/94 #14019- PULLEY 1MA30 X Ø 5/8" KW 3/16" 2SS 5/16"-18	1
N/I	NC14-62-0031	AFTER -10/94 #14019- PULLEY 1MA30 X Ø 1" KW 1/4" 2SS 5/16"-18	1
25	01-41-0905	BEFORE -10/94 #14019- SQUARE KEY 3/16" X 3/16" X 1 1/4" LG	1
N/I	01-41-0925	AFTER -10/94 #14019- SQUARE KEY 1/4" X 1/4" X 2 3/4" LG	1
26	NC14-62-0127	BEFORE -00/00 #00000- TIMING PULLEYS 32H100	1
N/I	NC14-62-0017	BEFORE -00/00 #00000- TAPERED QD BUSHING SK 1"	1
N/I	NC14-62-0073	BEFORE -10/94 #14019- PULLEY 2MB50 X Ø 1" KW 1/4" 2SS 5/16"-18	1
N/I	NC14-62-0087	AFTER -10/94 #14019- CAST IRON SHAVE PULLEY 2B48 SDS	1
N/I	NC14-62-0009	AFTER -10/94 #14019- TAPERED QD BUSHING SDS 1" KW 1/4"	1
27	01-41-0910	SQUARE KEY 1/4" X 1/4" X 1 1/2" LG	3

## STRAW MULCHERS WITH BLOWER MOD: GA-110 SLS / GA-130 SLS

REF.	PART NO.	DESCRIPTION	QTE
28	NC14-25-1183	BEFORE -00/00 #00000- TIMING BELTS 390H100	1
N/I	NC14-25-0187	AFTER -00/00 #00000- V-BELT 5L400 (5/8" X 40")	2
29	NC14-62-0128	BEFORE -00/00 #00000- TIMING PULLEYS 26H100	1
N/I	NC14-62-0009	BEFORE -00/00 #00000- TAPERED QD BUSHING SDS 1" KW 1/4"	1
N/I	NC14-62-0069	AFTER -00/00 #00000- PULLEY 2MB40 X Ø 1" KW 1/4" 2SS 5/16"-18	1
30	03-55-0044	BEFORE -00/00 #00000- IDLER PULLEY 3" Dia. X 1 1/4" LG ASSY. (TIMING BELTS)	1
N/I	03-21-0000	BEFORE -00/00 #00000- IDLER PULLEY 3" ALUMINIUM ONLY (TIMING BELTS)	1
N/I	NC14-75-0068	BEFORE -00/00 #00000- BEARING #99502H	1
N/I	NC13-80-0061	BEFORE -00/00 #00000- BUSHING 5/8" X 1/2" X 3/8"	1
N/I	NC01-64-0142	BEFORE -00/00 #00000- RETAINING RINGS INTERNAL FOR Ø 1 3/8"	1
N/I	03-55-0045	AFTER -00/00 #00000- IDLER PULLEY 3" Dia. X 1 3/4" LG ASSY. (STANDARD)	1
N/I	03-21-0005	AFTER -00/00 #00000- IDLER PULLEY ALUMINIUM ONLY (STANDARD)	1
N/I	NC14-75-0068	AFTER -00/00 #00000- BEARING #99502H	2
N/I	NC13-80-0061	AFTER -00/00 #00000- BUSHING 5/8" X 1/2" X 3/8"	2
N/I	NC01-64-0142	AFTER -00/00 #00000- RETAINING RINGS INTERNAL FOR Ø 1 3/8"	1
31	03-55-0138	ROTOR BELT TIGHTENER ASSY.	1
N/I	03-50-0010	ROTOR BELT TIGHTENER	1
32	NC01-82-0006	TURNBUCKLES 3/8"-16	1
33	01-09-0000	ROLLER BEARING BUSHING	3
34	03-50-0015	BODY (BLOWER MODEL)	1
35	03-45-0400	GREASE HOSE 1/4-H ASS. X 22" LG	2
36	03-55-0177	ACCESS DOOR "STICKER INCLUDED"	1
37	NC02-16-0008	WING NUT 3/8"-16	2
38	NC13-65-0001	BRASS COUPLING 1/4 NPT X 7/8" LG	2
39	NC01-69-0798	GREASE FITTING 1/4 NPT (STRAIGHT)	2
40	01-55-0079	SPEED REDUCER BOX "STICKER INCLUDED"	1
N/I	01-11-2500	BUSHING 5/8" Dia. X 14GA X 2 3/4" LG	1
41	NC01-45-0184	METRIC BOLT 8MM X 20MM (GRADE 8.8)	4
42	01-50-0050	TUB ARM CONTROL	1
43	01-50-0045	TUB BELT TIGHTENER	1
44	01-41-0055	TURNBUCKLE 5/16"-18	1
45	03-03-4205	ROTOR BEARING SHIELD	1
46	NC02-42-0084	METAL SCREWS (PAN HEAD) # 12 X 1/2" L	12
47	NC14-62-0027	PULLEY 1MA25 X Ø 5/8" KW 3/16" 2SS 5/16"-18	1
48	NC14-25-0328	V-BELT A-105 (1/2" X 107")	1
49	01-39-0600	IDLER PULLEY PI-300 " BUSHING INCLUDED "	1
N/I	01-09-0100	BUSHING 3/4" X 1/2" X 1/2" LG	1
50	01-55-0056	ROUND TUB "STICKER INCLUDED"	1
51	01-01-2415	TUB BEARING GUARD	3
52	01-38-0016	PLASTIC WHEEL	4
53	01-09-0105	BUSHING 1" Dia. X 1/2" X 1 1/8" LG	4
N/I	01-01-0925	FLAT WASHER 1 1/64" Dia. X Ø 33/64" X 10GA	4
54	03-03-4220	RIGHT ROTOR SHIELD	1
55	03-03-4215	LEFT ROTOR SHIELD	1
56	03-03-4200	TOP ROTOR SHIELD	1
57	03-50-0020	HANDLE	2
58	03-42-0070	SQUARE RUBBER	4
59	01-09-0100	BUSHING 3/4" X 1/2" X 1/2" LG	1
60	03-50-0090	OUTLET QUICK DISCONNECT	1
61	03-55-0020	CLAMP ASSY.	1
N/I	03-50-0075	CLAMP FITTING	1
N/I	03-31-0050	U-BOLT	1
N/I	NC02-07-0017	HEX.NUT 5/16"-18	2
62	03-50-0030	BLOWER HOUSING	1

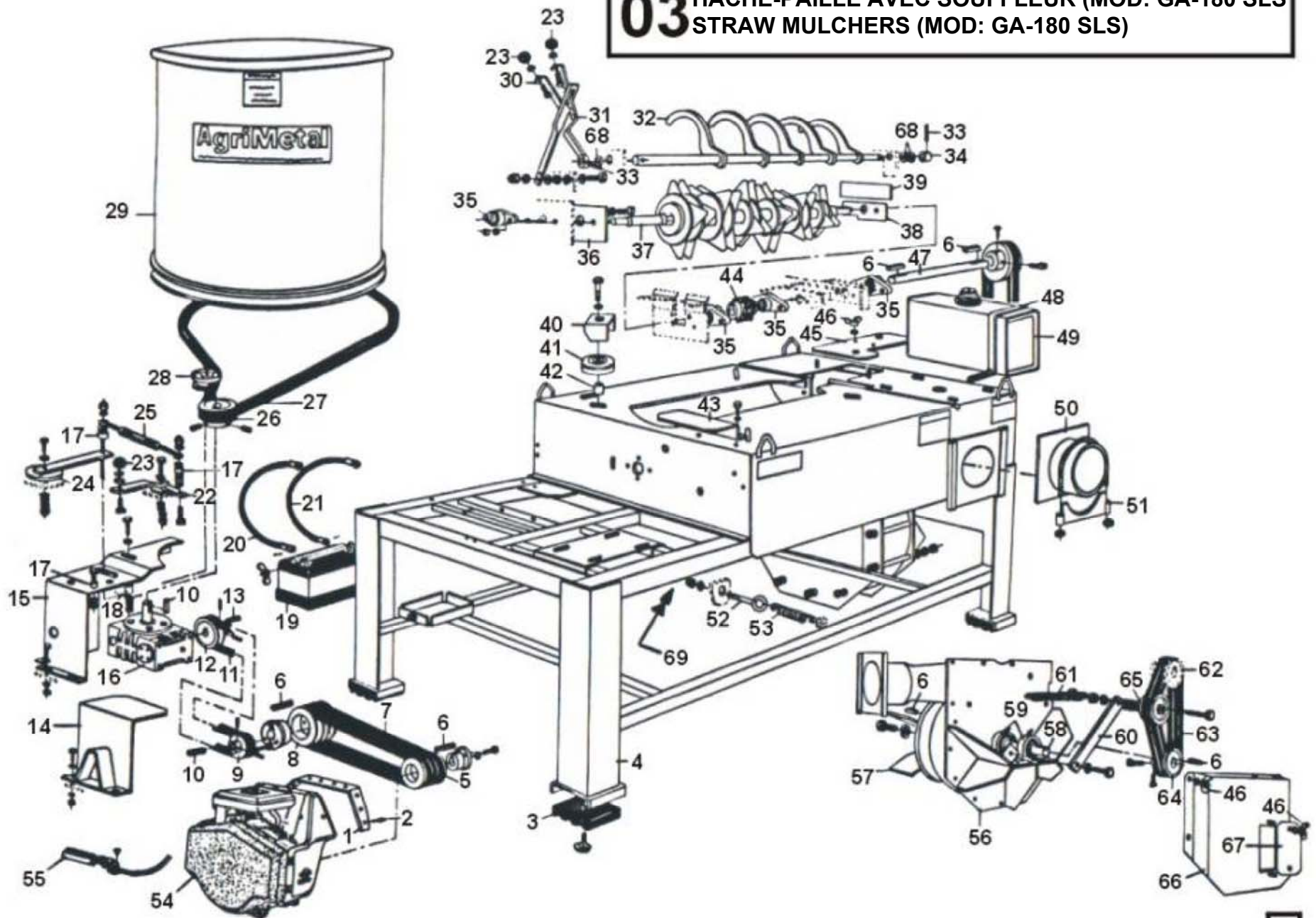
**STRAW MULCHERS WITH BLOWER MOD: GA-110 SLS / GA-130 SLS**

REF.	PART NO.	DESCRIPTION	QTE
63	03-50-0025	IMPELLER	1
64	03-20-0100	IMPELLER SHAFT 1" Dia. X 9" LG	1
65	NC14-75-0033	PILLOW BLOC BEARING	2
66	03-05-1500	BLOWER BELT TIGHTENER	1
67	NC13-85-0008	SPRING 7/8" Dia. X 5" LG	1
68	NC14-62-0044	PULLEY 2MA50 X Ø 1" KW 1/4" 2SS 5/16"-18	1
69	NC14-25-0261	V-BELT A-34 (1/2" X 36")	2
70	03-39-0155	PULLEY 2MA40 X Ø 1" KW 1/4" 2SS 5/16"-18	1
71	02-39-0605	IDLER PULLEY PI-400 COMPL.	1
72	03-55-0144	BLOWER BELT GUARD "STICKER INCLUDED"	1
73	03-55-0146	ACCESS DOOR "STICKER INCLUDED"	1
74	03-50-0041	OPT.Steel elbow 90° for rigid pipe 6" Dia.	1
75	NC13-15-0009	RUBBER HANDLE	1
76	03-05-1000	CONTROL HANDLE	2
77	03-50-0045	CONTROLE HANDLE SUPPORT	2
78	NC01-65-0076	COLLAR (HAS116)	2
79	03-55-0185	DEFLECTOR CABLE 3/8" Dia. ASSY.	1
80	03-42-0015	RIGID PVC PIPE 6" Dia. X 48" LG	1
81	03-55-0183	GALV. SQUARE STEEL ELBOW 90 Deg. ASSY.	1
82	NC13-85-0017	GALV.SPRING 5/8" Dia. X 5 1/4" LG	2
83	03-55-0181	GALV.DEFLECTOR ASSY.	1
84	04-30-9950	SPECIAL BOLT 1/2"-13 X 2" LG	1
85	03-30-9950	SPECIAL BOLT 1/2"-13 X 2 1/2" LG	1
	-----		
N/I	01-22-3400	MUFFLER COVER	1
N/I	01-03-5400	MUFFLER BRACKET	1

**STICKER MOD: GA-110 SLS / GA-130 SLS**

REF.	PART NO.	DESCRIPTION	QTE
N/I	03-58-0000	STICKER KIT (GA110 SLS / GA130 SLS)	1
N/I	01-60-0000	STICKER AGRIMÉTAL INC "LARGE"	2
N/I	01-60-0005	STICKER AGRIMÉTAL INC "SMALL"	2
N/I	01-60-0015	STICKER OIL LEVEL	1
N/I	01-60-0065	STICKER CAUTION. DO NOT STAND IN FRONT OF EXIT DURING OPERATION...	1
N/I	01-60-0070	STICKER WARNING MISSING SHIELD HAZARD...	1
N/I	01-60-0075	STICKER CAUTION 1.READ OPERATOR'S MANUAL BEFORE STARTING...	1
N/I	01-60-0090	STICKER TUB OFF ON	1
N/I	01-60-0095	STICKER GRATE OFF ON	1
N/I	01-60-0100	STICKER WARNING MOVING PART HAZARD...	2
N/I	01-60-0110	STICKER WARNING ROTATING PART HAZARD...	4
N/I	01-60-0120	STICKER WARNING TUB HAZARD DO NOT CLIMB INTO MACHINE WHEN...	1
N/I	01-60-0140	STICKER OIL DRAIN EXTENSION	1
N/I	03-60-0005	STICKER GREASE GUN	3
N/I	03-60-0010	STICKER CAUTION USE THE DISCHARGE HOSE TO BLOW...	1

# 03 HACHE-PAILLE AVEC SOUFFLEUR (MOD: GA-180 SLS) STRAW MULCHERS (MOD: GA-180 SLS)



## STRAW MULCHERS MOD: GA-180 SLS

REF.	PART NO.	DESCRIPTION	QTE
1	03-02-4200	MUFFLER GUARD	1
2	NC01-78-0055	STEEL 'POP' RIVET .125 X .515 LG	14
3	03-42-0070	SQUARE RUBBER	4
4	03-50-0016	BODY (MOD:GA-180 SLS)	1
5	NC14-62-0095	CAST IRON SHAVE PULLEY 3B3.8 SH	1
N/I	NC14-62-0014	TAPERED QD BUSHING SH 1" KW 1/4"	1
6	01-41-0910	SQUARE KEY 1/4" X 1/4" X 1 1/2" LG	7
7	NC14-25-0898	V-BELT 6937 (5/8" X 37")	3
8	NC14-62-0098	CAST IRON SHAVE PULLEY 3B4.8 SD	1
N/I	NC14-62-0004	TAPERED QD BUSHING SD 1 1/8" KW 1/4"	1
9	NC14-62-0029	BEFORE -10/94 #13930- PULLEY 1MA30 X Ø 5/8" KW 3/16" 2SS 5/16"-18	1
N/I	NC14-62-0031	AFTER -10/94 #13930- PULLEY 1MA30 X Ø 1" KW 1/4" 2SS 5/16"-18	1
10	01-41-0920	SQUARE KEY 1/4" X 1/4" X 2" LG	1
11	NC14-25-0083	V-BELT 4L270 (1/2" X 27")	1
12	NC14-62-0034	BEFORE -06/05 #00000- PULLEY 1MA40 X Ø 1/2" KW 1/8"	1
N/I	03-39-0000	AFTER -06/05 #00000- PULLEY SPECIAL 1MA40 X Ø 1/2" KW 1/8"	1
13	01-41-0900	SQUARE KEY 1/8" X 1/8" X 1" LG	1
14	03-55-0158	ROTOR BELT GUARD "STICKER INCLUDED"	1
15	01-55-0079	SPEED REDUCER BOX "STICKER INCLUDED"	1
16	NC14-10-0012	SPEED REDUCER BH40-L-10:1	1
17	01-09-0000	ROLLER BEARING BUSHING	3
18	01-11-2500	BUSHING 5/8" Dia. X 14GA X 2 3/4" LG	1
19	NC13-12-0001	BATTERY (12 VOLTS)	1
20	03-55-0128	POSITIF CABLE (44" LG)	1
21	03-55-0125	NEGATIF CABLE (21" LG)	1
22	01-50-0050	TUB ARM CONTROL	1
23	NC17-46-0018	PLASTIC KNOB	3
24	01-50-0045	TUB BELT TIGHTENER	1
25	01-41-0055	TURNBUCKLE 5/16"-18	1
26	NC14-62-0027	PULLEY 1MA25 X Ø 5/8" KW 3/16" 2SS 5/16"-18	1
27	NC14-25-0328	V-BELT A-105 (1/2" X 107")	1
28	01-39-0600	IDLER PULLEY PI-300 " BUSHING INCLUDED "	1
N/I	01-09-0100	BUSHING 3/4" X 1/2" X 1/2" LG	1
29	01-55-0056	ROUND TUB "STICKER INCLUDED"	1
30	03-50-0085	AJUSTABLE ARM	1
31	01-50-0025	TEETH ARM	1
32	03-50-1010	GRILL (5 FINGERS)	1
33	NC01-69-0463	SPRING PIN 1/4" X 1 3/4" LG	2
34	NC01-65-0086	COLLAR Ø 3/4" Dia.	1
35	03-38-0005	FLANGE BEARING UCFL 206-18 X Ø 1 1/8"	4
36	03-01-1610	BEARING SHIELD	1
37	03-55-0024	BEFORE -10/94 #13930- ROTOR ASSY. (HALF SECTION RIVETED KNIVES)	1
N/I	03-50-0003	BEFORE -10/94 #13930- HEXAGONE ROTOR SHAFT 38 3/4" LG	1
N/I	03-11-3505	BEFORE -10/94 #13930- SPACER 3 1/2" Dia. X 11GA X 2 7/8" LG	5
N/I	01-11-3500	BEFORE -10/94 #13930- SPACER 3 1/2" Dia. X 11GA X 1 3/8" LG	6
N/I	01-55-0005	BEFORE -10/94 #13930- HALF SECTION RIVETED KNIVES ASSY.	24
N/I	NC01-98-0021	BEFORE -10/94 #13930- NYLON INSERT LOCKNUTS 1 1/4"-18	1
37	03-55-0025	AFTER -10/94 #13930- ROTOR ASSY. (BOLT KNIVES AND HEX.WASHER )	1
N/I	03-50-0003	AFTER -10/94 #13930- HEXAGONE ROTOR SHAFT 38 3/4" LG	1
N/I	01-11-3520	AFTER -10/94 #13930- SPACER 2" Dia. X 11GA X 1.310" LG	6
N/I	01-11-3515	AFTER -10/94 #13930- SPACER 2" Dia. X 11GA X 2.810" LG	5
N/I	01-57-0045	AFTER -10/94 #13930- ROTOR ADJUSTMENT SPACER KIT	1
N/I	01-55-0007	AFTER -10/94 #13930- BOLTED KNIFE AND HEX. WASHER ASSY.	12
N/I	NC13-22-0001	AFTER -10/94 #13930- SIMPLE KNIVES	48
N/I	NC01-98-0021	AFTER -10/94 #13930- NYLON INSERT LOCKNUTS 1 1/4"-18	1
38	03-01-1615	BEARING SHIELD	1

## STRAW MULCHERS MOD: GA-180 SLS

REF.	PART NO.	DESCRIPTION	QTE
39	03-01-1605	BEARING SHIELD	1
40	01-01-2415	TUB BEARING GUARD	3
41	01-38-0016	PLASTIC WHEEL	4
42	01-09-0105	BUSHING 1" Dia. X 1/2" X 1 1/8" LG	4
N/I	01-01-0925	FLAT WASHER 1 1/64" Dia. X Ø 33/64" X 10GA	4
43	03-55-0174	ENGINE BELT GUARD "STICKER INCLUDED"	1
44	03-55-0030	CHAIN COUPLING #4016 X Ø 1 1/8" ASSY.	1
N/I	NC14-55-0155	CHAIN COUPLING #4016 X Ø 1 1/8"	2
N/I	NC14-20-0030	DOUBLE CHAIN #4016	1
N/I	NC14-20-0033	DOUBLE CONNECTING LINK #4016	1
N/I	NC02-44-0103	ALLENS SET SCREW 5/16"-18 X 3/8" LG	2
N/I	NC02-44-0103	ALLENS SET SCREW 5/16"-18 X 3/8" LG	2
45	03-55-0167	ACCESS DOOR "STICKER INCLUDED"	1
46	NC02-16-0008	WING NUT 3/8"-16	2
47	03-20-0106	EXTENSION SHAFT 1 1/8" Dia. X 11 1/4" LONG	1
48	NC01-65-0076	COLLAR (HAS116)	2
49	03-55-0176	FUEL TANK "STICKER INCLUDED"	1
N/I	25-46-3750	GAS CAP	1
N/I	NC13-65-0032	NEEDLE VALVE 1/8 NPT FEM X 1/8 NPT FEM	1
N/I	NC13-65-0033	HOSE FEETING 3/8" OD X 1/8 NPT MALE	1
N/I	03-46-0525	GAS HOSE 3/8" Dia. X 80" LG	1
N/I	NC01-65-0053	COLLAR (MH4)	2
50	03-50-0090	OUTLET QUICK DISCONNECT	1
51	03-55-0020	CLAMP ASSY.	1
N/I	03-31-0050	U-BOLT	1
N/I	03-50-0075	CLAMP FITTING	1
N/I	NC02-07-0017	HEX.NUT 5/16"-18	2
52	NC01-52-0014	EYE BOLT 3/8"-16 X 5" LG	2
53	NC13-85-0010	GALV.SPRING 1" Dia. X 5 1/2" LG	2
54	03-55-0150	ENGINE BRIGGS & STRATTON (18 H.P.) STARTER ASSY.	1
N/I	NC13-37-0122	DEBRIS GUARD	1
55	03-55-0173	GAS CÂBLE AND CONTROL LEVER ASSY.	1
N/I	NC13-37-0119	CONTROL LEVER	1
N/I	03-55-0141	GAZ CABLE ASSY.	1
N/I	03-46-0190	WIRE 34" LG	1
N/I	03-46-0185	CASING WIRE 28" LG	1
56	03-50-0031	BLOWER HOUSING	1
57	03-50-0026	IMPELLER	1
58	03-20-0110	IMPALLER SHAFT 1 1/4" Dia. X 11 9/16" LONG	1
59	01-38-0010	PILLOW BEARING UCP 207-20 X Ø 1 1/4"	2
60	03-05-2000	BELT TIGHTENER	1
61	NC13-85-0014	SPRING 1" DIA. X 9" LG	1
62	NC14-62-0074	PULLEY 2MB50 X Ø 1 1/8" KW 1/4 2SS 5/16"-18	1
63	NC14-25-0352	V-BELT B-39	2
64	03-39-0339	PULLEY 2MB40 X Ø 1 1/4" KW 1/4" 2SS 5/16"-18	1
65	03-39-0600	IDLER PULLEY PI-400 ASSY. " BUSHING INCLUDED "	1
66	03-55-0169	BLOWER BELT GUARD "STICKER INCLUDED"	1
67	03-55-0146	ACCESS DOOR "STICKER INCLUDED"	1
68	01-33-0035	FLAT WASHER 1 1/4" Dia. X Ø 3/4" X 10GA	2
N/I	01-33-0036	FLAT WASHER 1 1/4" DIA. X Ø 3/4" X 14GA	2
69	03-55-0177	ACCESS DOOR "STICKER INCLUDED"	1



**STICKER MOD: GA-180 SLS**

<b>REF.</b>	<b>PART NO.</b>	<b>DESCRIPTION</b>	<b>QTE</b>
N/I	03-58-0005	STICKER KIT (GA180 SLS)	1
N/I	01-60-0000	STICKER AGRIMÉ TAL INC "LARGE"	2
N/I	01-60-0005	STICKER AGRIMÉ TAL INC "SMALL"	1
N/I	01-60-0015	STICKER OIL LEVEL	1
N/I	01-60-0060	STICKER DANGER FIRE HAZARD .STOP ENGINE FIVE MINUTES BEFORE...	1
N/I	01-60-0065	STICKER CAUTION. DO NOT STAND IN FRONT OF EXIT DURING OPERATION...	1
N/I	01-60-0070	STICKER WARNING MISSING SHIELD HAZARD...	1
N/I	01-60-0075	STICKER CAUTION 1.READ OPERATOR'S MANUAL BEFORE STARTING...	1
N/I	01-60-0090	STICKER TUB OFF ON	1
N/I	01-60-0095	STICKER GRATE OFF ON	1
N/I	01-60-0100	STICKER WARNING MOVING PART HAZARD...	2
N/I	01-60-0110	STICKER WARNING ROTATING PART HAZARD...	4
N/I	01-60-0120	STICKER WARNING TUB HAZARD DO NOT CLIMB INTO MACHINE WHEN...	1
N/I	03-60-0005	STICKER GREASE GUN	5
N/I	06-60-0000	STICKER AGRIMÉ TAL INC "MEDIUM"	1