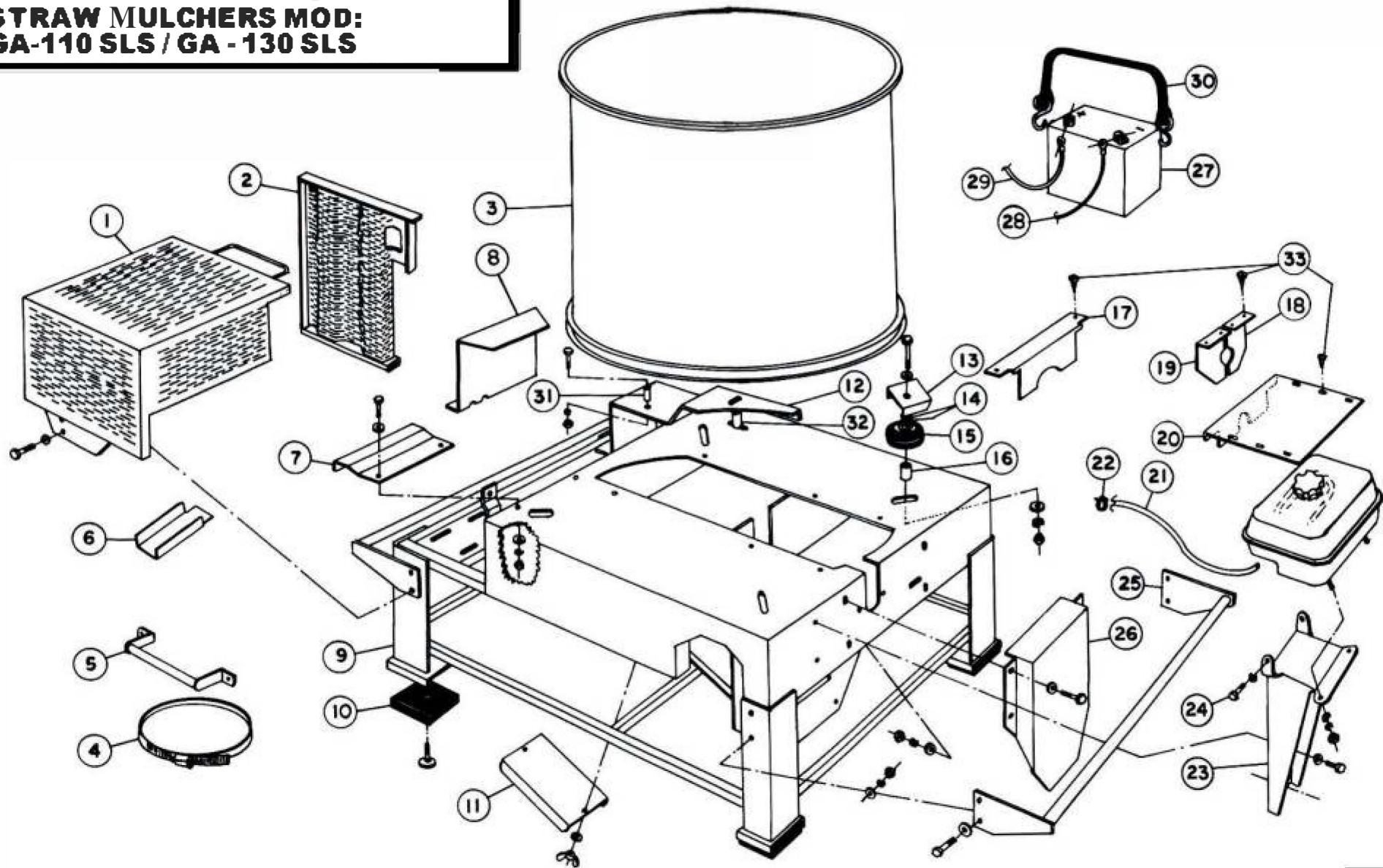


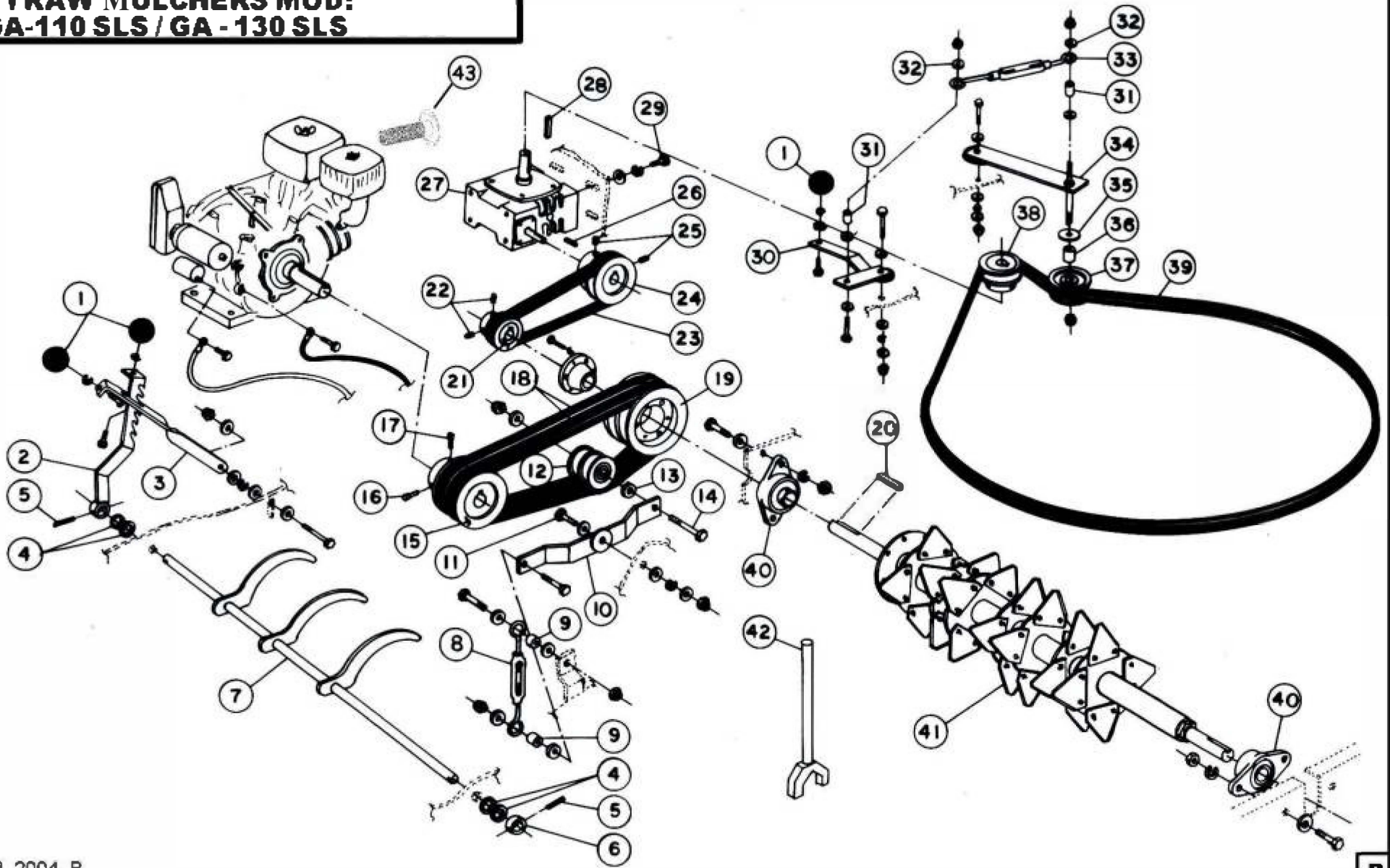
HACHE-PAILLE AVEC SOUFFLEUR
STRAW MULCHERS MOD:
GA-110 SLS / GA - 130 SLS



STRAW MULCHERS WITH BLOWER MOD: GA-110 SLS / GA-130 SLS

REF.	PART NO.	DESCRIPTION	QTE
1	03-55-0129	MOTOR,S HOODS ASSY.. "STICKER INCLUDED"	1
2	03-55-0050	MUFFLEUR HOODS ASSY.	1
3	01-55-0056	ROUND TUB "STICKER INCLUDED"	1
4	NC01-65-0076	COLLAR (HAS116)	2
5	03-50-0070	FLEXIBLE HOSE HANDLE	1
6	01-55-0030	DRAIN OIL SLAB "STICKER INCLUDED"	1
7	01-55-0039	ENGINE BELT GUARD "STICKER INCLUDED"	1
8	01-55-0037	ROTOR BELT GUARD "STICKER INCLUDED"	1
9	03-55-0060	BODY "STICKER INCLUDED"	1
10	03-42-0070	SQUARE RUBBER	4
11	03-55-0177	ACCESS DOOR "STICKER INCLUDED"	1
12	01-55-0079	SPEED REDUCER BOX "STICKER INCLUDED"	1
13	01-01-2415	TUB BEARING GUARD	3
14	01-01-0925	FLAT WASHER 1 1/64" Dia. X Ø 33/64" X 10GA	6
15	01-38-0016	PLASTIC WHEEL	4
16	01-09-0105	BUSHING 1" Dia. X 1/2" X 1 1/8" LG	4
17	03-03-4205	ROTOR BEARING SHIELD	1
18	03-03-4215	LEFT ROTOR SHIELD	1
19	03-03-4220	RIGHT ROTOR SHIELD	1
20	03-03-4200	TOP ROTOR SHIELD	1
21	03-46-0530	BEFORE -04/07 #00000- GAZ HOSE 5/16" Dia. X 82" LG	1
N/I	03-46-0529	AFTER -04/07 #00000- GAZ HOSE 5/16" Dia. X 76" LG	1
N/I	03-46-0531	AFTER -04/07 #00000- GAZ HOSE 5/16" Dia. X 6" LG	1
N/I	NC13-37-0589	AFTER -07/04 #00000- GAZ VALVE	1
22	NC01-65-0053	BEFORE -07/04 #00000- COLLAR (MH4)	2
N/I	NC01-65-0200	AFTER -07/04 #00000- SPRING-GRIP HOSE CLAMPS 3/8" O.D.	2
23	03-50-0080	GAZ TANK SUPPORT	1
24	NC01-45-0184	METRIC BOLT 8MM X 20MM (GRADE 8.8)	2
25	03-50-0020	HANDLE	2
26	03-55-0144	BLOWER BELT GUARD "STICKER INCLUDED"	1
27	NC13-12-0001	BATTERY (12 VOLTS)	1
28	03-55-0126	NEGATIVE CABLE (34" LG)	1
29	03-55-0127	POSITIVE CABLE (36" LG)	1
30	NC13-15-0008	RUBBER STRAP 12" LG	1
31	01-09-0000	ROLLER BEARING BUSHING	1
32	01-11-2500	BUSHING 5/8" Dia. X 14GA X 2 3/4" LG	1
33	NC02-42-0084	METAL SCREWS (PAN HEAD) # 12 X 1/2" L	12

HACHE-PAILLE AVEC SOUFFLEUR
STRAW MULCHERS MOD:
GA-110 SLS / GA -130 SLS



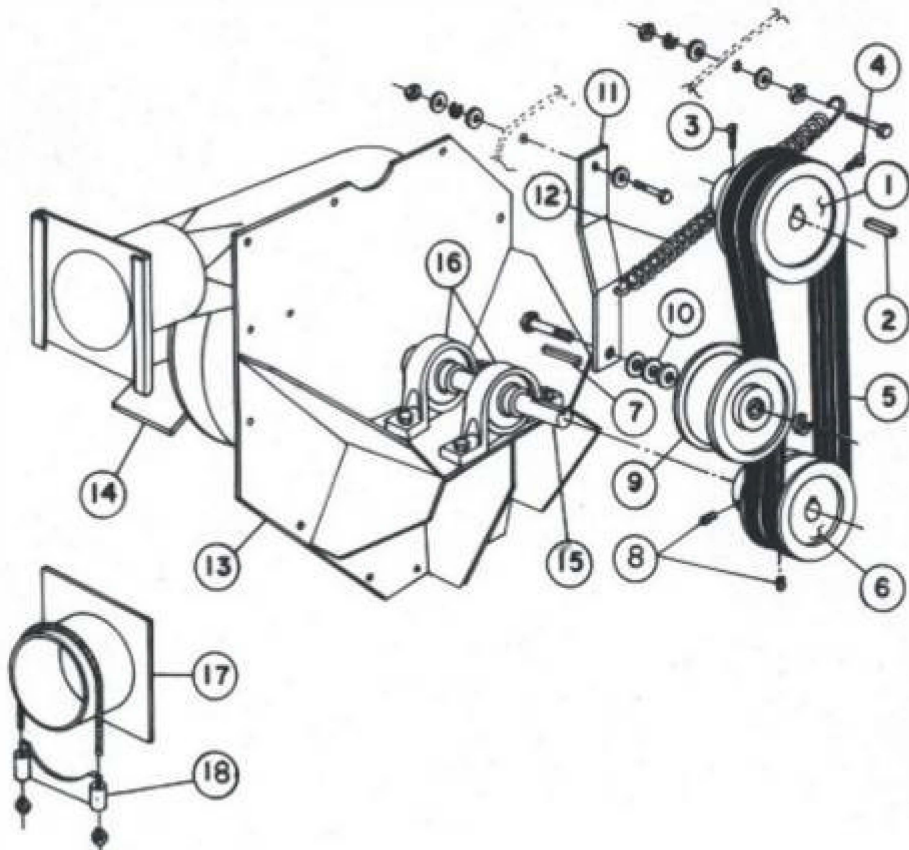
STRAW MULCHERS WITH BLOWER MOD: GA-110 SLS / GA-130 SLS

REF.	PART NO.	DESCRIPTION	QTE
1	NC17-46-0018	PLASTIC KNOB	3
2	01-50-0025	TEETH ARM	1
3	01-05-0500	ADJUSTABLE ARM	1
4	01-33-0035	FLAT WASHER 1 1/4" Dia. X Ø 3/4" X 10GA	2
N/I	01-33-0036	FLAT WASHER 1 1/4" DIA. X Ø 3/4" X 14GA	2
5	NC01-69-0463	SPRING PIN 1/4" X 1 3/4" LG	2
6	NC01-65-0086	COLLAR Ø 3/4" Dia.	1
7	03-50-0005	GRILL (3 FINGERS)	1
8	03-41-0055	TURNBUCKLES 3/8"-16	1
9	NC13-80-0061	BUSHING 5/8" X 1/2" X 3/8"	2
10	03-50-0010	ROTOR BELT TIGHTENER	1
11	04-30-9950	SPECIAL BOLT 1/2"-13 X 2" LG	1
12	03-55-0045	IDLER PULLEY 3" Dia. X 1 3/4" LG ASSY.	1
N/I	03-21-0005	IDLER PULLEY ALUMINIUM ONLY	1
N/I	NC14-75-0068	BEARING #99502H	2
N/I	NC01-64-0142	RETAINING RINGS INTERNAL FOR Ø 1 3/8"	1
N/I	NC13-80-0061	BUSHING 5/8" X 1/2" X 3/8"	2
13	01-01-0925	FLAT WASHER 1 1/64" Dia. X Ø 33/64" X 10GA	5
14	03-30-9950	SPECIAL BOLT 1/2"-13 X 2 1/2" LG	1
15	NC14-62-0069	PULLEY 2MB40 X Ø 1" KW 1/4" 2SS 5/16"-18	1
16	NC02-44-0103	ALLENS SET SCREW 5/16"-18 X 3/8" LG	1
17	NC02-44-0103	ALLENS SET SCREW 5/16"-18 X 3/8" LG	1
18	NC14-25-0187	V-BELT 5L400 (5/8" X 40")	2
19	NC14-62-0087	CAST IRON SHAVE PULLEY 2B48 SDS	1
N/I	NC14-62-0009	TAPERED QD BUSHING SDS 1" KW 1/4"	1
20	01-41-0925	SQUARE KEY 1/4" X 1/4" X 2 3/4" LG	1
21	NC14-62-0031	PULLEY 1MA30 X Ø 1" KW 1/4" 2SS 5/16"-18	1
22	NC02-44-0103	ALLENS SET SCREW 5/16"-18 X 3/8" LG	2
23	NC14-25-0083	V-BELT 4L270 (1/2" X 27")	1
24	NC14-62-0034	BEFORE -06/05 #00000- PULLEY 1MA40 X Ø 1/2" KW 1/8"	1
N/I	03-39-0005	AFTER -06/05 #00000- SPECIAL PULLEY 1MA40 X Ø 1/2" KW 1/8" 2SS 5/16"-18	1
25	NC02-44-0103	ALLENS SET SCREW 5/16"-18 X 3/8" LG	2
26	01-41-0900	SQUARE KEY 1/8" X 1/8" X 1" LG	1
27	NC14-10-0012	SPEED REDUCER BH40-L-10:1	1
28	01-41-0905	SQUARE KEY 3/16" X 3/16" X 1 1/4" LG	1
29	NC01-45-0184	METRIC BOLT 8MM X 20MM (GRADE 8.8)	4
30	01-50-0050	TUB ARM CONTROL	1
31	01-09-0000	ROLLER BEARING BUSHING	2
32	01-09-0005	BUSHING	2
33	01-41-0055	TURNBUCKLE 5/16"-18	1
34	01-50-0045	TUB BELT TIGHTENER	1
35	01-01-1660	FLAT WASHER 1 1/2 Dia. X Ø 33/64 X 11GA	1
36	01-09-0100	BUSHING 3/4" X 1/2" X 1/2" LG	1
37	01-39-0600	IDLER PULLEY PI-300 " BUSHING INCLUDED "	1
38	NC14-62-0027	PULLEY 1MA25 X Ø 5/8" KW 3/16" 2SS 5/16"-18	1
39	NC14-25-0328	V-BELT A-105 (1/2" X 107")	1
40	01-38-0000	FLANGE BEARING UCFL 205-16 X Ø 1"	2
41	03-55-0015	ROTOR ASSY. (BOLT KNIVES AND HEX.WASHER)	1
N/I	03-50-0001	HEXAGONE ROTOR SHAFT 35 1/4" LG	1
N/I	01-11-3520	SPACER 2" Dia. X 11GA X 1.310" LG	4
N/I	03-11-3510	SPACER 2" Dia. X 11GA X 9.312" LONG	1
N/I	01-11-3515	SPACER 2" Dia. X 11GA X 2.810" LG	3
N/I	01-57-0045	ROTOR ADJUSTMENT SPACER KIT	1
N/I	03-20-0005	HEX. WASHER 5 1/2" Dia.	1
N/I	01-55-0007	BOLTED KNIFE AND HEX. WASHER ASSY.	7
N/I	NC13-22-0001	SIMPLE KNIVES	28

STRAW MULCHERS WITH BLOWER MOD: GA-110 SLS / GA-130 SLS

REF.	PART NO.	DESCRIPTION	QTE
N/I	NC01-29-0003	HEX.BOLT.1/4"-28 X 5/8" LG (GRADE 5)	56
N/I	NC01-97-0004	NYLON INSERT LOCKNUTS 1/4"-28	56
N/I	NC01-98-0021	NYLON INSERT LOCKNUTS 1 1/4"-18	1
42	01-50-0100	ROTOR WRENCH	1
43	NC13-37-0020	18355-ZE2-W00 SPARK ARRESTER	1
N/I	01-03-5400	MUFFLER BRACKET	1

HACHE-PAILLE AVEC SOUFFLEUR
STRAW MULCHERS MOD:
GA-110 SLS / GA - 130 SLS

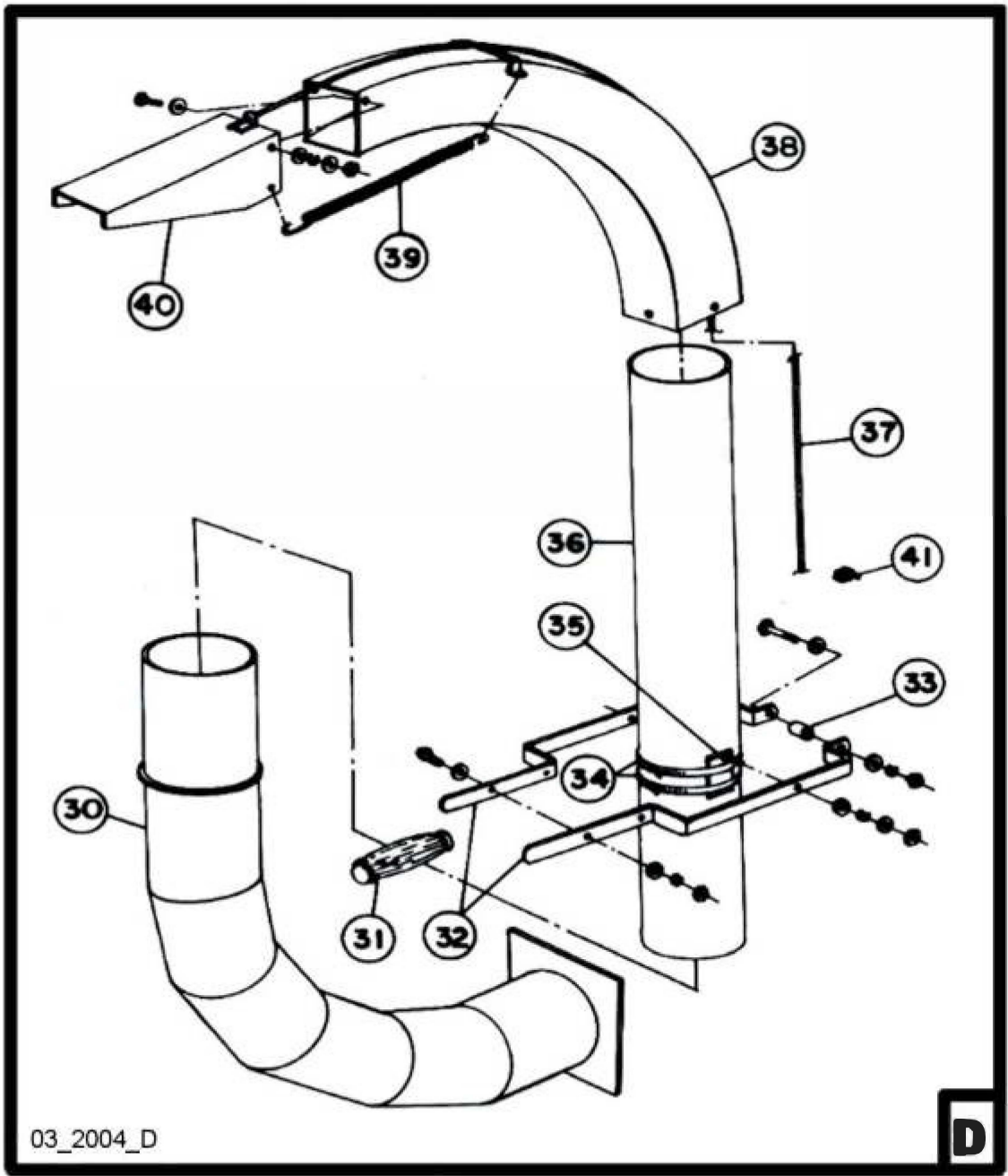


03/2004_C

C

STRAW MULCHERS WITH BLOWER MOD: GA-110 SLS / GA-130 SLS

REF.	PART NO.	DESCRIPTION	QTE
1	NC14-62-0044	PULLEY 2MA50 X Ø 1" KW 1/4" 2SS 5/16"-18	1
2	01-41-0910	SQUARE KEY 1/4" X 1/4" X 1 1/2" LG	1
3	NC02-44-0103	ALLENS SET SCREW 5/16"-18 X 3/8" LG	1
4	NC02-44-0103	ALLENS SET SCREW 5/16"-18 X 3/8" LG	1
5	NC14-25-0261	V-BELT A-34 (1/2" X 36")	2
6	03-39-0155	PULLEY 2MA40 X Ø 1" KW 1/4" 2SS 5/16"-18	1
7	01-41-0910	SQUARE KEY 1/4" X 1/4" X 1 1/2" LG	1
8	NC02-44-0103	ALLENS SET SCREW 5/16"-18 X 3/8" LG	2
9	02-39-0605	IDLER PULLEY PI-400 COMPL.	1
10	01-01-0925	FLAT WASHER 1 1/64" Dia. X Ø 33/64" X 10GA	6
11	03-05-1500	BLOWER BELT TIGHTENER	1
12	NC13-85-0008	SPRING 7/8" Dia. X 5" LG	1
13	03-50-0030	BLOWER HOUSING	1
14	03-50-0025	IMPELLER	1
15	03-20-0100	IMPELLER SHAFT 1" Dia. X 9" LG	1
16	NC14-75-0033	PILLOW BLOC BEARING	2
17	03-50-0090	OUTLET QUICK DISCONNECT	1
18	03-50-0020	HANDLE	1
N/I	03-50-0075	CLAMP FITTING	1
N/I	03-31-0050	U-BOLT	1



03_2004_D

D

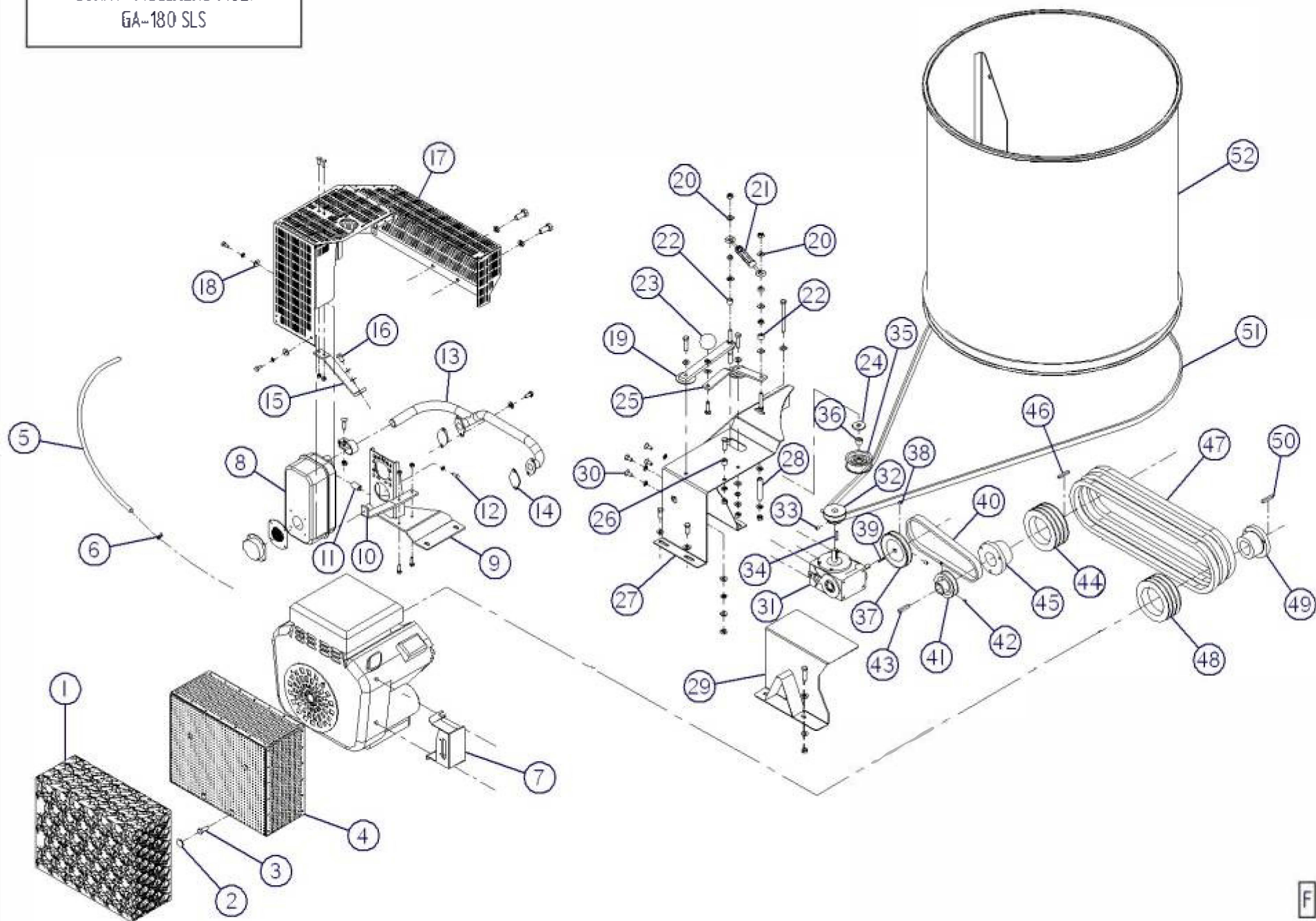
STRAW MULCHERS WITH BLOWER MOD: GA-110 SLS / GA-130 SLS

REF.	PART NO.	DESCRIPTION	QTE
30	03-50-0041	OPT.Steel elbow 90° for rigid pipe 6" Dia.	1
31	NC13-15-0009	RUBBER HANDLE	1
32	03-05-1000	CONTROL HANDLE	2
33	01-09-0000	ROLLER BEARING BUSHING	1
34	NC01-65-0076	COLLAR (HAS116)	2
35	03-50-0045	CONTROLE HANDLE SUPPORT	2
36	03-42-0015	RIGID PVC PIPE 6" Dia. X 48" LG	1
37	03-55-0185	DEFLECTOR CABLE 3/8" Dia. ASSY.	1
38	03-55-0183	GALV. SQUARE STEEL ELBOW 90 Deg. ASSY.	1
39	NC13-85-0017	GALV.SPRING 5/8" Dia. X 5 1/4" LG	2
40	03-55-0181	GALV.DEFLECTOR ASSY.	1
41	NC01-65-0053	COLLAR (MH4)	1

STICKER MOD: GA-110 SLS / GA-130 SLS

REF.	PART NO.	DESCRIPTION	QTE
N/I	03-58-0001	STICKER KIT (GA110 SLS / GA130 SLS)	1
N/I	01-60-0000	STICKER AGRIMÉ TAL INC "LARGE"	1
N/I	06-60-0000	STICKER AGRIMÉ TAL INC "MEDIUM"	1
N/I	01-60-0015	STICKER OIL LEVEL	1
N/I	03-60-0010	STICKER CAUTION USE THE DISCHARGE HOSE TO BLOW...	1
N/I	01-60-0090	STICKER TUB OFF ON	1
N/I	01-60-0110	STICKER WARNING ROTATING PART HAZARD...	2
N/I	01-60-0005	STICKER AGRIMÉ TAL INC "SMALL"	2
N/I	01-60-0095	STICKER GRATE OFF ON	1
N/I	01-60-0140	STICKER OIL DRAIN EXTENSION	1
N/I	01-60-0070	STICKER WARNING MISSING SHIELD HAZARD...	3
N/I	01-60-0115	STICKER WARNING ROTATING PART HAZARD...	1
N/I	NC13-33-0109	STICKER DANGER FIRE HAZARD NO SMOKING	1
N/I	NC13-33-0112	STICKER DANGER BLOWER BLADE HAZARD...	2
N/I	NC13-33-0110	STICKER DANGER THROWN OBJECT HAZARD...	1
N/I	NC13-33-0108	STICKER CAUTION / READ OPERATOR'S MANUAL BEFORE STARTING...	2
N/I	NC13-33-0127	STICKER DANGER TUB ROTOR HAZARD FOR LS	1
N/I	NC13-33-0151	STICKER IMPORTANT TO PREVENT ENGINE FAILURE ALWAYS...	1

HACHE-PAILLE AVEC SOUFFLEUR
STRAW MULCHERS MOD.
GA-180 SLS



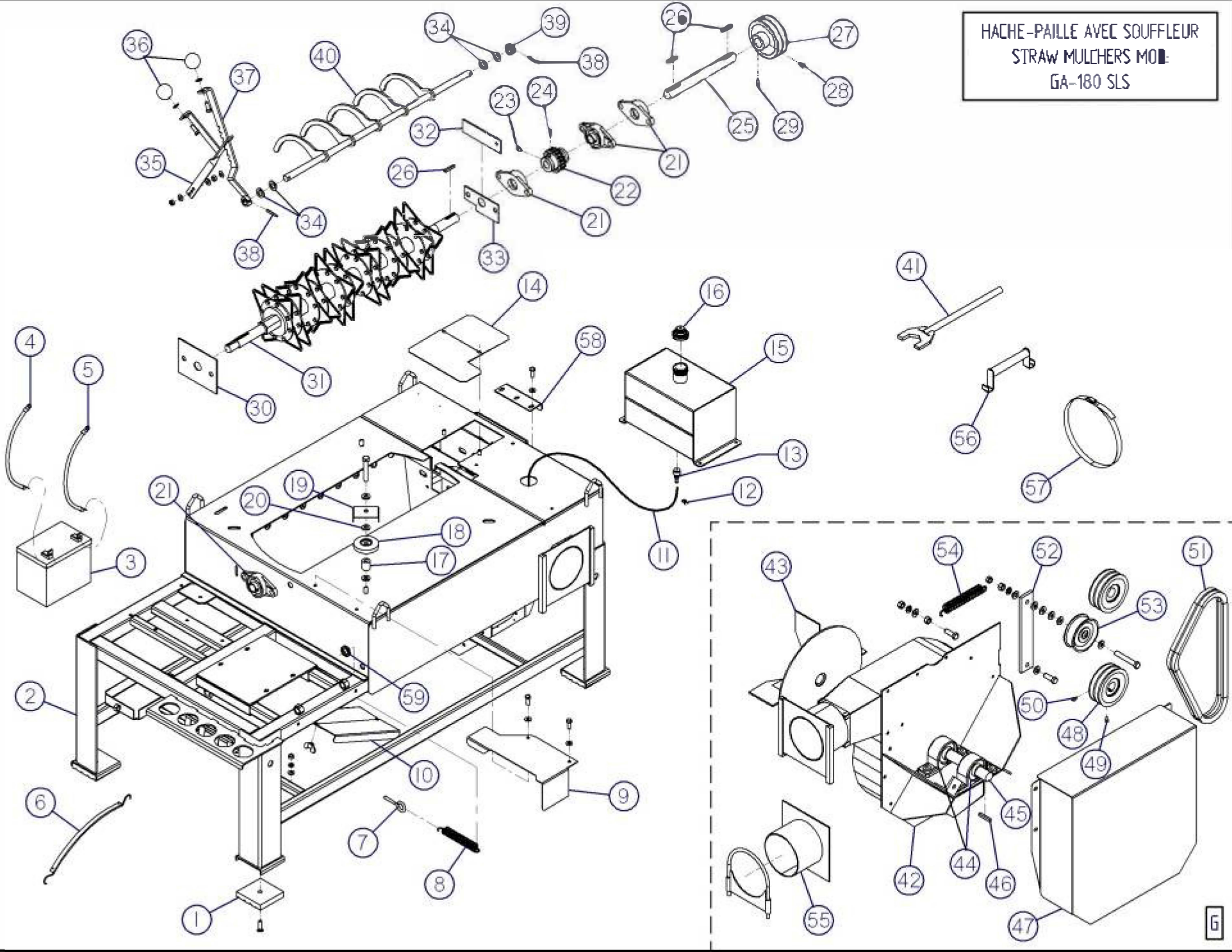
STRAW MULCHERS WITH BLOWER MOD: GA-180 SLS

REF.	PART NO.	DESCRIPTION	QTE
1	NC17-11-0007	CLOTH MESH FILTER	1
2	NC13-80-0192	BLACK ROND PLASTIC CAP	4
3	NC01-51-0001	FLANGE BOLT HEX. 6MM X 10MM	4
4	03-55-0226	AIR INTAKE GUARD (MODEL NEW)	1
5	03-46-0527	BEFORE -04/07 #00000- GAS HOSE 3/8" Dia. X 76" LG	1
N/I	03-46-0533	AFTER -04/07 #00000- GAZ HOSE 3/8" Dia. X 22" LG	1
N/I	03-46-0532	AFTER -04/07 #00000- GAZ HOSE 3/8" Dia. X 34" LG	1
N/I	NC13-37-0589	AFTER -04/07 #00000- GAZ VALVE	1
6	NC01-65-0200	SPRING-GRIP HOSE CLAMPS 3/8" O.D.	2
7	03-55-0380	THROTTLE-LEVER SUPPORT COMPL.	1
8	03-55-0375	BRIGGS & STRATTON MUFFLER	1
N/I	NC13-37-0573	BRIGGS & STRATTON SPARK ARRESTER	1
N/I	NC13-37-0579	BRIGGS & STRATTON DEFLECTOR MUFFLER	1
9	03-50-0200	MUFFLER SUPPORT	1
10	03-05-1020	MUFFLER GUARD SUPPORT (FLAT BAR)	1
11	03-21-0010	MUFFLER GUARD SUPPORT (SHAFT)	1
12	NC01-37-0003	HEX.BOLT 1/4"-28 X 5/8" LG (GRADE 8)	1
13	03-50-0205	EXHAUST PIPE BRIGGS & STRATTON	1
14	NC13-37-0580	EXHAUST PIPE GASKET BRIGGS & STRATTON	2
15	03-05-1015	MUFFLER GUARD SUPPORT	1
16	NC01-45-0184	METRIC BOLT 8MM X 20MM (GRADE 8.8)	2
17	03-55-0365	MUFFLER GUARD	1
18	36-01-2430	FLAT WASHER 13/16" Dia. X Ø 17/64"	1
19	01-50-0045	TUB BELT TIGHTENER	1
20	01-09-0005	BUSHING	2
21	01-41-0055	TURNBUCKLE 5/16"-18	1
22	01-09-0000	ROLLER BEARING BUSHING	2
23	NC17-46-0018	PLASTIC KNOB	3
24	01-01-1660	FLAT WASHER 1 1/2 Dia. X Ø 33/64 X 11GA	1
25	01-50-0050	TUB ARM CONTROL	1
26	01-09-0000	ROLLER BEARING BUSHING	1
27	01-55-0079	SPEED REDUCER BOX "STICKER INCLUDED"	1
28	01-11-2500	BUSHING 5/8" Dia. X 14GA X 2 3/4" LG	1
29	03-55-0158	ROTOR BELT GUARD "STICKER INCLUDED"	1
30	NC01-45-0184	METRIC BOLT 8MM X 20MM (GRADE 8.8)	4
31	NC14-10-0012	SPEED REDUCER BH40-L-10:1	1
32	NC14-62-0027	PULLEY 1MA25 X Ø 5/8" KW 3/16" 2SS 5/16"-18	1
33	NC02-44-0103	ALLENS SET SCREW 5/16"-18 X 3/8" LG	2
34	01-41-0905	SQUARE KEY 3/16" X 3/16" X 1 1/4" LG	1
35	01-39-0600	IDLER PULLEY PI-300 " BUSHING INCLUDED "	1
36	01-09-0100	BUSHING 3/4" X 1/2" X 1/2" LG	1
37	NC14-62-0034	BEFORE -06/05 #00000- PULLEY 1MA40 X Ø 1/2" KW 1/8"	1
N/I	03-39-0000	AFTER -06/05 #00000- PULLEY SPECIAL 1MA40 X Ø 1/2" KW 1/8"	1
38	NC02-44-0103	ALLENS SET SCREW 5/16"-18 X 3/8" LG	2
39	01-41-0900	SQUARE KEY 1/8" X 1/8" X 1" LG	1
40	NC14-25-0083	V-BELT 4L270 (1/2" X 27")	1
41	NC14-62-0031	PULLEY 1MA30 X Ø 1" KW 1/4" 2SS 5/16"-18	1
42	NC02-44-0103	ALLENS SET SCREW 5/16"-18 X 3/8" LG	2
43	01-41-0910	SQUARE KEY 1/4" X 1/4" X 1 1/2" LG	1
44	NC14-62-0098	CAST IRON SHAVE PULLEY 3B4.8 SD	1
45	NC14-62-0004	TAPERED QD BUSHING SD 1 1/8" KW 1/4"	1
46	01-41-0910	SQUARE KEY 1/4" X 1/4" X 1 1/2" LG	1
47	NC14-25-0898	V-BELT 6937 (5/8" X 37")	3
48	NC14-62-0095	CAST IRON SHAVE PULLEY 3B3.8 SH	1
49	NC14-62-0014	TAPERED QD BUSHING SH 1" KW 1/4"	1
50	01-41-0910	SQUARE KEY 1/4" X 1/4" X 1 1/2" LG	1

STRAW MULCHERS WITH BLOWER MOD: GA-180 SLS

REF.	PART NO.	DESCRIPTION	QTE
51	NC14-25-0328	V-BELT A-105 (1/2" X 107")	1
52	01-55-0056	ROUND TUB "STICKER INCLUDED"	1

HACHE-PAILLE AVEC SOUFFLEUR
 STRAW MULCHERS MOD.
 GA-180 SLS

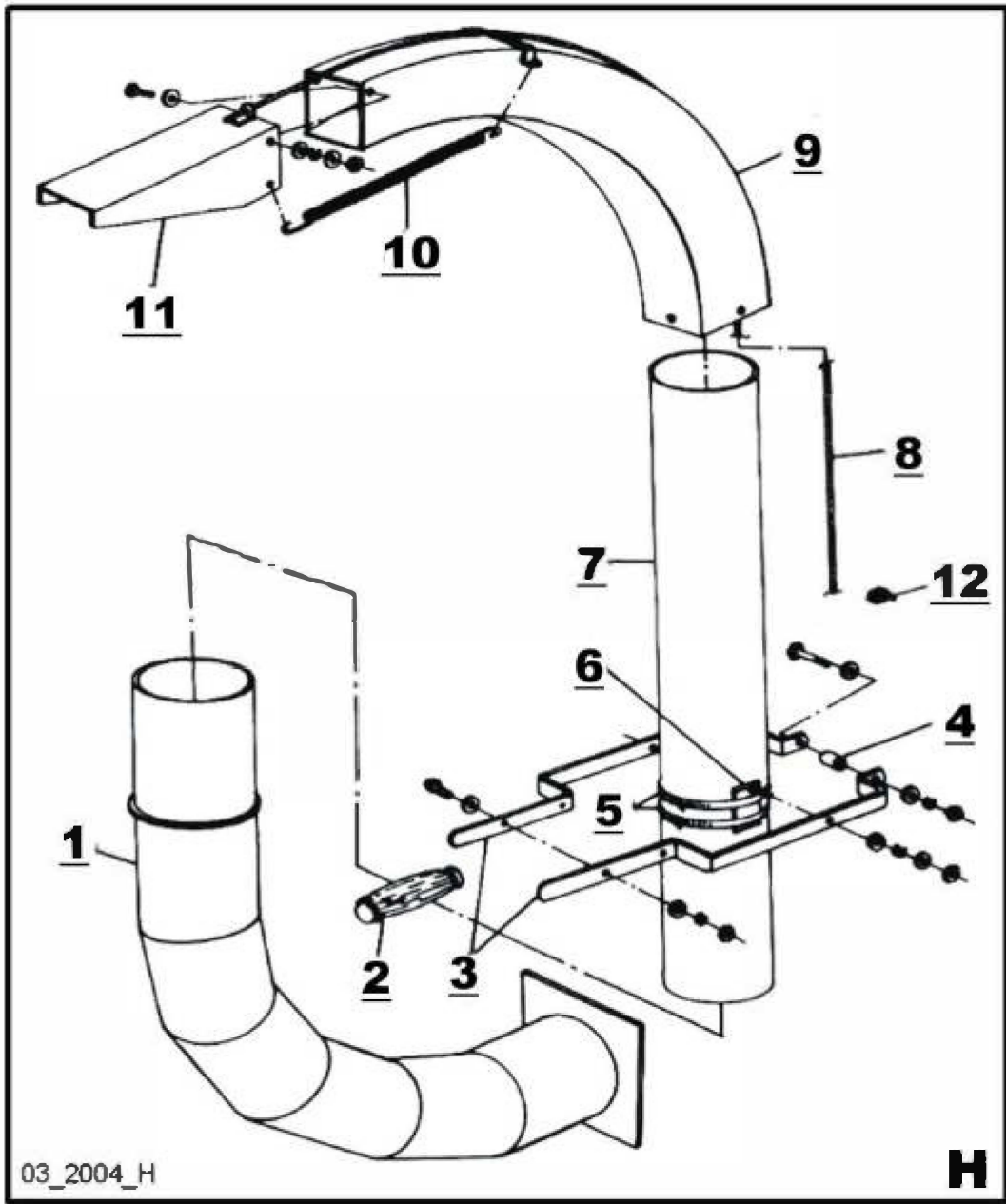


STRAW MULCHERS WITH BLOWER MOD: GA-180 SLS

REF.	PART NO.	DESCRIPTION	QTE
1	03-42-0070	SQUARE RUBBER	4
2	03-55-0070	BODY "STICKER INCLUDED"	1
3	NC13-12-0001	BATTERY (12 VOLTS)	1
4	03-55-0120	POSITIVE CABLE (41" LG)	1
5	03-55-0123	NEGATIVE CABLE (44" LG)	1
6	NC13-15-0008	RUBBER STRAP 12" LG	1
7	NC01-52-0014	EYE BOLT 3/8"-16 X 5" LG	2
8	NC13-85-0010	GALV.SPRING 1" Dia. X 5 1/2" LG	2
9	03-55-0215	MOTOR BELT GUARD "STICKER INCLUDED"	1
10	03-55-0177	ACCESS DOOR "STICKER INCLUDED"	1
11	03-46-0525	BEFORE -09/06 #27519- GAS HOSE 3/8" Dia. X 80" LG	1
N/I	03-46-0528	AFTER -09/06 #27519- GAS HOSE 3/8" Dia. X 60" LG	1
12	NC01-65-0200	SPRING-GRIP HOSE CLAMPS 3/8" O.D.	2
13	NC01-80-0006	HOSE BARB TO MALE PIPE CONNECTOR	1
14	03-55-0167	ACCESS DOOR "STICKER INCLUDED"	1
15	03-55-0197	GAZ TANK "STICKER INCLUDED"	1
16	NC13-37-0121	GAZ TANK CAP	1
17	01-09-0105	BUSHING 1" Dia. X 1/2" X 1 1/8" LG	4
18	01-38-0016	PLASTIC WHEEL	4
19	01-01-2415	TUB BEARING GUARD	3
20	01-01-0925	FLAT WASHER 1 1/64" Dia. X Ø 33/64" X 10GA	6
21	03-38-0005	FLANGE BEARING UCFL 206-18 X Ø 1 1/8"	4
22	03-55-0030	CHAIN COUPLING #4016 X Ø 1 1/8" ASSY.	1
N/I	NC14-55-0155	CHAIN COUPLING #4016 X Ø 1 1/8"	2
N/I	NC14-20-0030	DOUBLE CHAIN #4016	1
N/I	NC14-20-0033	DOUBLE CONNECTING LINK #4016	1
23	NC02-44-0103	ALLENS SET SCREW 5/16"-18 X 3/8" LG	2
24	NC02-44-0103	ALLENS SET SCREW 5/16"-18 X 3/8" LG	2
25	03-20-0106	EXTENSION SHAFT 1 1/8" Dia. X 11 1/4" LONG	1
26	01-41-0910	SQUARE KEY 1/4" X 1/4" X 1 1/2" LG	3
27	NC14-62-0074	PULLEY 2MB50 X Ø 1 1/8" KW 1/4 2SS 5/16"-18	1
28	NC02-44-0103	ALLENS SET SCREW 5/16"-18 X 3/8" LG	1
29	NC02-44-0103	ALLENS SET SCREW 5/16"-18 X 3/8" LG	1
30	03-01-1610	BEARING SHIELD	1
31	03-55-0025	ROTOR ASSY. (BOLT KNIVES AND HEX.WASHER)	1
N/I	03-50-0003	HEXAGONE ROTOR SHAFT 38 3/4" LG	1
N/I	01-11-3520	SPACER 2" Dia. X 11GA X 1.310" LG	6
N/I	01-11-3515	SPACER 2" Dia. X 11GA X 2.810" LG	5
N/I	01-57-0045	ROTOR ADJUSTMENT SPACER KIT	1
N/I	01-55-0007	BOLTED KNIFE AND HEX. WASHER ASSY.	12
N/I	NC13-22-0001	SIMPLE KNIVES	48
N/I	NC01-98-0021	NYLON INSERT LOCKNUTS 1 1/4"-18	1
32	03-01-1605	BEARING SHIELD	1
33	03-01-1615	BEARING SHIELD	1
34	01-33-0035	FLAT WASHER 1 1/4" Dia. X Ø 3/4" X 10GA	2
N/I	01-33-0036	FLAT WASHER 1 1/4" DIA. X Ø 3/4" X 14GA	2
35	03-50-0085	AJUSTABLE ARM	1
36	NC17-46-0018	PLASTIC KNOB	3
37	03-50-0083	TEETH ARM	1
38	NC01-69-0463	SPRING PIN 1/4" X 1 3/4" LG	2
39	NC01-65-0086	COLLAR Ø 3/4" Dia.	1
40	03-50-1010	GRILL (5 FINGERS)	1
41	01-50-0100	ROTOR WRENCH	1
42	03-50-0031	BLOWER HOUSING	1
43	03-50-0026	IMPELLER	1
44	01-38-0010	PILLOW BEARING UCP 207-20 X Ø 1 1/4"	2

STRAW MULCHERS WITH BLOWER MOD: GA-180 SLS

REF.	PART NO.	DESCRIPTION	QTE
45	03-20-0110	IMPALLER SHAFT 1 1/4" Dia. X 11 9/16" LONG	1
46	01-41-0910	SQUARE KEY 1/4" X 1/4" X 1 1/2" LG	1
47	03-55-0169	BLOWER BELT GUARD "STICKER INCLUDED"	1
48	03-39-0339	PULLEY 2MB40 X Ø 1 1/4" KW 1/4" 2SS 5/16"-18	1
49	NC02-44-0103	ALLENS SET SCREW 5/16"-18 X 3/8" LG	1
50	NC02-44-0103	ALLENS SET SCREW 5/16"-18 X 3/8" LG	1
51	NC14-25-0352	V-BELT B-39	2
52	03-05-2000	BELT TIGHTENER	1
53	03-39-0600	IDLER PULLEY PI-400 ASSY. " BUSHING INCLUDED "	1
54	NC13-85-0014	SPRING 1" DIA. X 9" LG	1
55	03-55-0130	OUTLET QUICK DISCONNECT COMPL.	1
N/I	03-50-0090	OUTLET QUICK DISCONNECT	1
N/I	03-55-0020	CLAMP ASSY.	1
N/I	03-31-0050	U-BOLT	1
N/I	03-50-0075	CLAMP FITTING	1
56	03-50-0070	FLEXIBLE HOSE HANDLE	1
57	NC01-65-0076	COLLAR (HAS116)	2
58	03-01-1600	BELT TIGHTENER SUPPORT	1
59	NC13-15-0055	RUBBER GROMMETS	1



STRAW MULCHERS WITH BLOWER MOD: GA-180 SLS

REF.	PART NO.	DESCRIPTION	QTE
1	03-50-0041	OPT.Steel elbow 90° for rigid pipe 6" Dia.	1
2	NC13-15-0009	RUBBER HANDLE	1
3	03-05-1000	CONTROL HANDLE	2
4	01-09-0000	ROLLER BEARING BUSHING	1
5	NC01-65-0076	COLLAR (HAS116)	2
6	03-50-0045	CONTROLE HANDLE SUPPORT	2
7	03-42-0015	RIGID PVC PIPE 6" Dia. X 48" LG	1
8	03-55-0185	DEFLECTOR CABLE 3/8" Dia. ASSY.	1
9	03-55-0183	GALV. SQUARE STEEL ELBOW 90 Deg. ASSY.	1
10	NC13-85-0017	GALV.SPRING 5/8" Dia. X 5 1/4" LG	2
11	03-55-0181	GALV.DEFLECTOR ASSY.	1
12	NC01-65-0053	COLLAR (MH4)	1

STICKER MOD: GA-180 SLS

REF.	PART NO.	DESCRIPTION	QTE
N/I	03-58-0010	STICKER KIT (GA 180 BS/LS)	1
N/I	01-60-0000	STICKER AGRIMÉTAL INC "LARGE"	1
N/I	06-60-0000	STICKER AGRIMÉTAL INC "MEDIUM"	1
N/I	01-60-0115	STICKER WARNING ROTATING PART HAZARD...	2
N/I	01-60-0070	STICKER WARNING MISSING SHIELD HAZARD...	3
N/I	01-60-0005	STICKER AGRIMÉTAL INC "SMALL"	2
N/I	01-60-0110	STICKER WARNING ROTATING PART HAZARD...	2
N/I	01-60-0095	STICKER GRATE OFF ON	1
N/I	01-60-0015	STICKER OIL LEVEL	1
N/I	01-60-0090	STICKER TUB OFF ON	1
N/I	NC13-33-0109	STICKER DANGER FIRE HAZARD NO SMOKING	1
N/I	NC13-33-0113	STICKER WARNING MISSING SHIELD HAZARD...	1
N/I	NC13-33-0112	STICKER DANGER BLOWER BLADE HAZARD...	2
N/I	NC13-33-0110	STICKER DANGER THROWN OBJECT HAZARD...	1
N/I	NC13-33-0108	STICKER CAUTION / READ OPERATOR'S MANUAL BEFORE STARTING...	1
N/I	NC13-33-0127	STICKER DANGER TUB ROTOR HAZARD FOR LS	1
N/I	NC13-33-0134	STICKER FAST / SLOW	1
N/I	NC13-33-0151	STICKER IMPORTANT TO PREVENT ENGINE FAILURE ALWAYS...	1