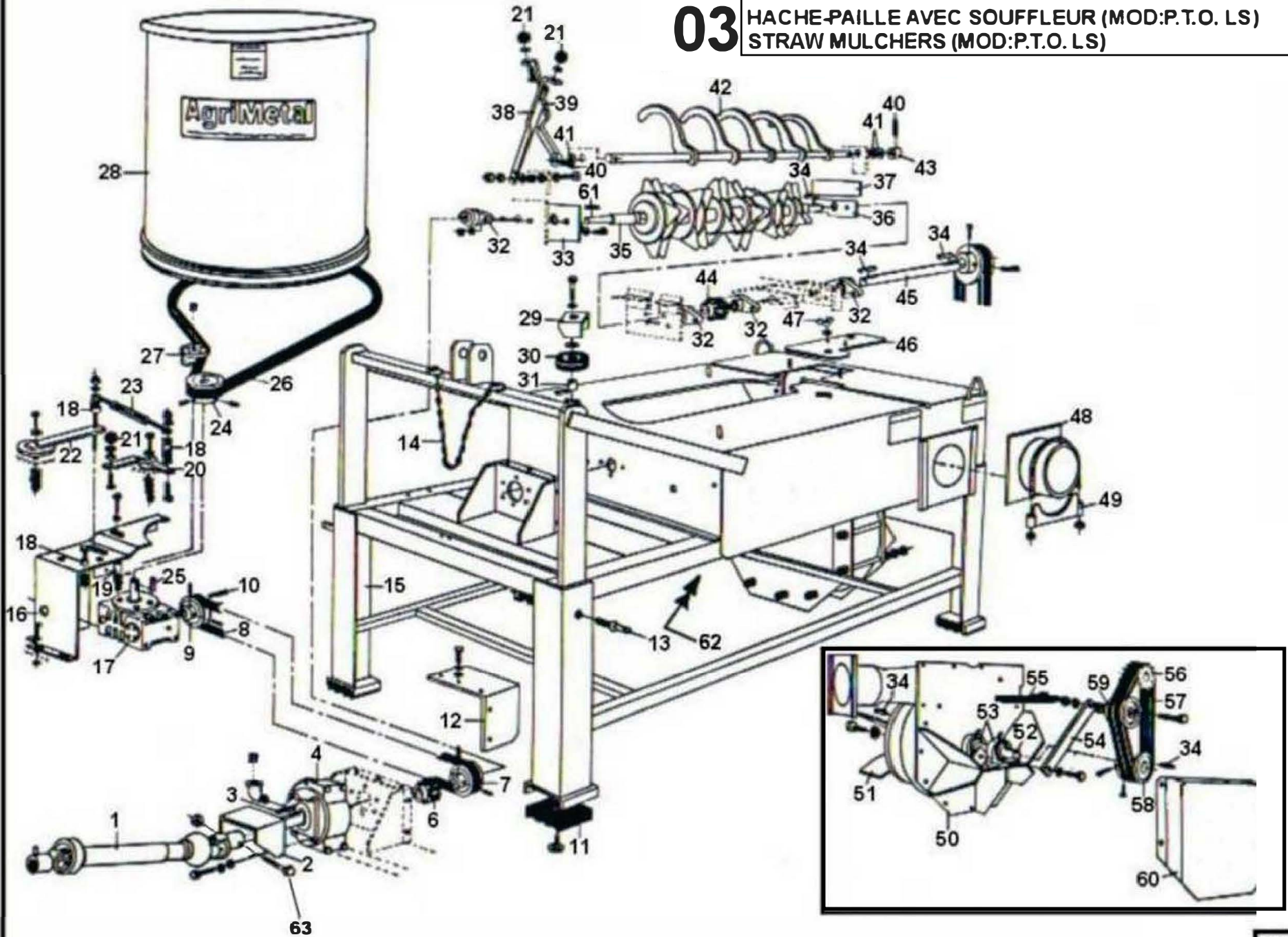


03 HACHE-PAILLE AVEC SOUFFLEUR (MOD:P.T.O. LS) STRAW MULCHERS (MOD:P.T.O. LS)



STRAW MULCHERS WITH BLOWER MOD: P.T.O. LS

REF.	PART NO.	DESCRIPTION	QTE
1	01-34-0040	BEFORE -08/90 #10138- PTO SHAFT #4 (1 1/4" Dia. X 36" LG)	1
N/I	01-34-0055	BETWEEN -08/90 AND 01/06 #00000- PTO SHAFT T40 X 36 13/16" LG	1
N/I	01-34-0056	AFTER -01/06 #00000- PTO SHAFT T40 X 36 13/16" LG	1
2	01-55-0535	PTO SHAFT GUARD "STICKER INCLUDED"	1
3	01-41-0915	SQUARE KEY 5/16" X 5/16" X 1 1/2" LG	1
4	01-55-0515	BEFORE -08/90 #10138- TRANSMISSION A624A RATIO 1:5.28 ASSY.	1
N/I	01-34-0100	BEFORE -08/90 #10138- TRANSMISSION A624A RATIO 1:5.28	1
N/I	NC13-65-0003	BEFORE -08/90 #10138- BRASS ELBOW 90° 3/8 FEM. NPT X 3/8 MALE NPT	1
N/I	NC01-64-0186	BEFORE -08/90 #10138- AIR VENT 3/8"-18 NPT	1
4	01-55-0555	AFTER -08/90 #10138- TRANSMISSION A624A RATIO 1:5.15 ASSY.	1
N/I	01-34-0101	AFTER -08/90 #10138- TRANSMISSION A624A RATIO 1:5.15	1
N/I	NC13-45-0031	AFTER -08/90 #10138- HEX.REDUCER 3/8 FEM. NPT X 1/2 MALE NPT	2
N/I	NC13-65-0010	AFTER -08/90 #10138- GALV.NIPPLE 3/8 NPT X 1 1/2" LG	1
N/I	NC01-64-0186	AFTER -08/90 #10138- AIR VENT 3/8"-18 NPT	1
N/I	01-55-0510	AFTER -08/90 #10138- ABS OIL TANK ASSY.	1
N/I	NC13-65-0003	AFTER -08/90 #10138- BRASS ELBOW 90° 3/8 FEM. NPT X 3/8 MALE NPT	1
6	01-55-0530	CHAIN COUPLING 4016 X Ø 1" X Ø 1 1/4" ASSY.	1
N/I	NC14-55-0156	COUPLING 4016 X Ø 1 1/4" KW 1/4" 2SS 5/16-18	1
N/I	NC14-55-0154	COUPLING 4016 X Ø 1" KW 1/4" 2SS 5/16"-18	1
N/I	NC14-20-0030	DOUBLE CHAIN #4016	1
N/I	NC14-20-0033	DOUBLE CONNECTING LINK #4016	1
N/I	NC02-44-0103	ALLENS SET SCREW 5/16"-18 X 3/8" LG	4
7	NC14-62-0031	PULLEY 1MA30 X Ø 1" KW 1/4" 2SS 5/16"-18	1
8	NC14-25-0083	V-BELT 4L270 (1/2" X 27")	1
9	NC14-62-0034	BEFORE -06/05 #00000- PULLEY 1MA40 X Ø 1/2" KW 1/8"	1
N/I	03-39-0000	AFTER -06/05 #00000- PULLEY SPECIAL 1MA40 X Ø 1/2" KW 1/8"	1
10	01-41-0900	SQUARE KEY 1/8" X 1/8" X 1" LG	1
11	03-42-0070	SQUARE RUBBER	4
12	01-55-0545	CHAIN GUARD "STICKER INCLUDED"	1
13	NC01-78-0002	HITCH PIN	2
14	01-41-0000	P.T.O. CHAIN	1
15	03-50-1016	BODY (PTO-LS)	1
16	01-55-0079	SPEED REDUCER BOX "STICKER INCLUDED"	1
17	NC14-10-0012	SPEED REDUCER BH40-L-10:1	1
18	01-09-0100	BUSHING 3/4" X 1/2" X 1/2" LG	1
19	01-11-2500	BUSHING 5/8" Dia. X 14GA X 2 3/4" LG	1
20	01-50-0050	TUB ARM CONTROL	1
21	NC17-46-0018	PLASTIC KNOB	3
22	01-50-0045	TUB BELT TIGHTENER	1
23	01-41-0055	TURNBUCKLE 5/16"-18	1
24	NC14-62-0027	PULLEY 1MA25 X Ø 5/8" KW 3/16" 2SS 5/16"-18	1
25	01-41-0905	SQUARE KEY 3/16" X 3/16" X 1 1/4" LG	1
26	NC14-25-0328	V-BELT A-105 (1/2" X 107")	1
27	01-39-0600	IDLER PULLEY PI-300 " BUSHING INCLUDED "	1
N/I	01-09-0100	BUSHING 3/4" X 1/2" X 1/2" LG	1
28	01-55-0056	ROUND TUB "STICKER INCLUDED"	1
29	01-01-2415	TUB BEARING GUARD	3
30	01-38-0016	PLASTIC WHEEL	4
31	01-09-0105	BUSHING 1" Dia. X 1/2" X 1 1/8" LG	4
N/I	01-01-0925	FLAT WASHER 1 1/64" Dia. X Ø 33/64" X 10GA	4
32	03-38-0005	FLANGE BEARING UCFL 206-18 X Ø 1 1/8"	4
33	03-01-1610	BEARING SHIELD	1
34	01-41-0910	SQUARE KEY 1/4" X 1/4" X 1 1/2" LG	5
35	03-55-0509	ROTOR ASSY. (BOLT KNIVES AND HEX.WASHER)	1

STRAW MULCHERS WITH BLOWER MOD: P.T.O. LS

REF.	PART NO.	DESCRIPTION	QTE
N/I	03-50-1009	HEXAGONE ROTOR SHAFT 38 1/2" LG	1
N/I	01-11-3520	SPACER 2" Dia. X 11GA X 1.310" LG	6
N/I	01-11-3515	SPACER 2" Dia. X 11GA X 2.810" LG	5
N/I	01-57-0045	ROTOR ADJUSTMENT SPACER KIT	1
N/I	01-55-0007	BOLTED KNIFE AND HEX. WASHER ASSY.	12
N/I	03-20-0005	HEX. WASHER 5 1/2" Dia.	1
N/I	NC13-22-0001	SIMPLE KNIVES	48
N/I	NC01-29-0003	HEX.BOLT.1/4"-28 X 5/8" LG (GRADE 5)	96
N/I	NC01-97-0004	NYLON INSERT LOCKNUTS 1/4"-28	96
N/I	NC01-98-0021	NYLON INSERT LOCKNUTS 1 1/4"-18	1
36	03-01-1615	BEARING SHIELD	1
37	03-01-1605	BEARING SHIELD	1
38	03-50-0085	AJUSTABLE ARM	1
39	01-50-0025	TEETH ARM	1
40	NC01-69-0463	SPRING PIN 1/4" X 1 3/4" LG	2
41	01-33-0035	FLAT WASHER 1 1/4" Dia. X Ø 3/4" X 10GA	2
N/I	01-33-0036	FLAT WASHER 1 1/4" DIA. X Ø 3/4" X 14GA	2
42	03-50-1010	GRILL (5 FINGERS)	1
43	NC01-65-0086	COLLAR Ø 3/4" Dia.	1
44	03-55-0030	CHAIN COUPLING #4016 X Ø 1 1/8" ASSY.	1
N/I	NC14-55-0155	CHAIN COUPLING #4016 X Ø 1 1/8"	2
N/I	NC14-20-0030	DOUBLE CHAIN #4016	1
N/I	NC14-20-0033	DOUBLE CONNECTING LINK #4016	1
N/I	NC02-44-0103	ALLENS SET SCREW 5/16"-18 X 3/8" LG	2
45	03-20-0106	EXTENSION SHAFT 1 1/8" Dia. X 11 1/4" LONG	1
46	03-55-0167	ACCESS DOOR "STICKER INCLUDED"	1
47	NC02-16-0008	WING NUT 3/8"-16	2
48	03-50-0090	OUTLET QUICK DISCONNECT	1
49	03-55-0020	CLAMP ASSY.	1
N/I	03-50-0075	CLAMP FITTING	1
N/I	03-31-0050	U-BOLT	1
N/I	NC02-07-0017	HEX.NUT 5/16"-18	2
50	03-50-0031	BLOWER HOUSING	1
51	03-50-0026	IMPELLER	1
52	03-20-0110	IMPALLER SHAFT 1 1/4" Dia. X 11 9/16" LONG	1
53	01-38-0010	PILLOW BEARING UCP 207-20 X Ø 1 1/4"	2
54	03-05-2000	BELT TIGHTENER	1
55	NC13-85-0014	SPRING 1" DIA. X 9" LG	1
56	NC14-62-0074	PULLEY 2MB50 X Ø 1 1/8" KW 1/4 2SS 5/16"-18	1
N/I	NC02-44-0103	ALLENS SET SCREW 5/16"-18 X 3/8" LG	2
57	NC14-25-0352	V-BELT B-39	2
58	03-39-0339	PULLEY 2MB40 X Ø 1 1/4" KW 1/4" 2SS 5/16"-18	1
N/I	NC02-44-0103	ALLENS SET SCREW 5/16"-18 X 3/8" LG	2
59	03-39-0600	IDLER PULLEY PI-400 ASSY. " BUSHING INCLUDED "	1
60	03-55-0169	BLOWER BELT GUARD "STICKER INCLUDED"	1
61	01-41-0925	SQUARE KEY 1/4" X 1/4" X 2 3/4" LG	1
62	03-55-0177	ACCESS DOOR "STICKER INCLUDED"	1
63	NC14-85-0287	BOLT M8 X 50 CL. 8.8 & NUT	1

N/I	NC14-25-1227	TIMING BELTS 390H150	1

STICKER MOD: P.T.O. LS

REF.	PART NO.	DESCRIPTION	QTE
N/I	03-58-0501	STICKER KIT (PTO LS)	1
N/I	01-60-0125	STICKER WARNING KEEP ALL GUARDS AND SHIELDS IN PLACE...	1
N/I	01-60-0070	STICKER WARNING MISSING SHIELD HAZARD...	3
N/I	01-60-0115	STICKER WARNING ROTATING PART HAZARD...	3
N/I	01-60-0040	STICKER MAXIMUM 540 RPM	1
N/I	06-60-0000	STICKER AGRIMÉTAL INC "MEDIUM"	1
N/I	01-60-0000	STICKER AGRIMÉTAL INC "LARGE"	1
N/I	01-60-0005	STICKER AGRIMÉTAL INC "SMALL"	2
N/I	01-60-0015	STICKER OIL LEVEL	2
N/I	01-60-0095	STICKER GRATE OFF ON	1
N/I	01-60-0090	STICKER TUB OFF ON	1
N/I	NC13-33-0113	STICKER WARNING MISSING SHIELD HAZARD...	2
N/I	NC13-33-0108	STICKER CAUTION / READ OPERATOR'S MANUAL BEFORE STARTING...	1
N/I	NC13-33-0112	STICKER DANGER BLOWER BLADE HAZARD...	2
N/I	NC13-33-0110	STICKER DANGER THROWN OBJECT HAZARD...	1
N/I	NC13-33-0127	STICKER DANGER TUB ROTOR HAZARD FOR LS	1
N/I	NC14-85-0276	STICKER (DANGER-PLASTIC GUARD) 190.000.215	1
N/I	NC13-33-0179	STICKER IMPORTANT GREASE DRIVE LINE TELESCOPIC SHAFT	1