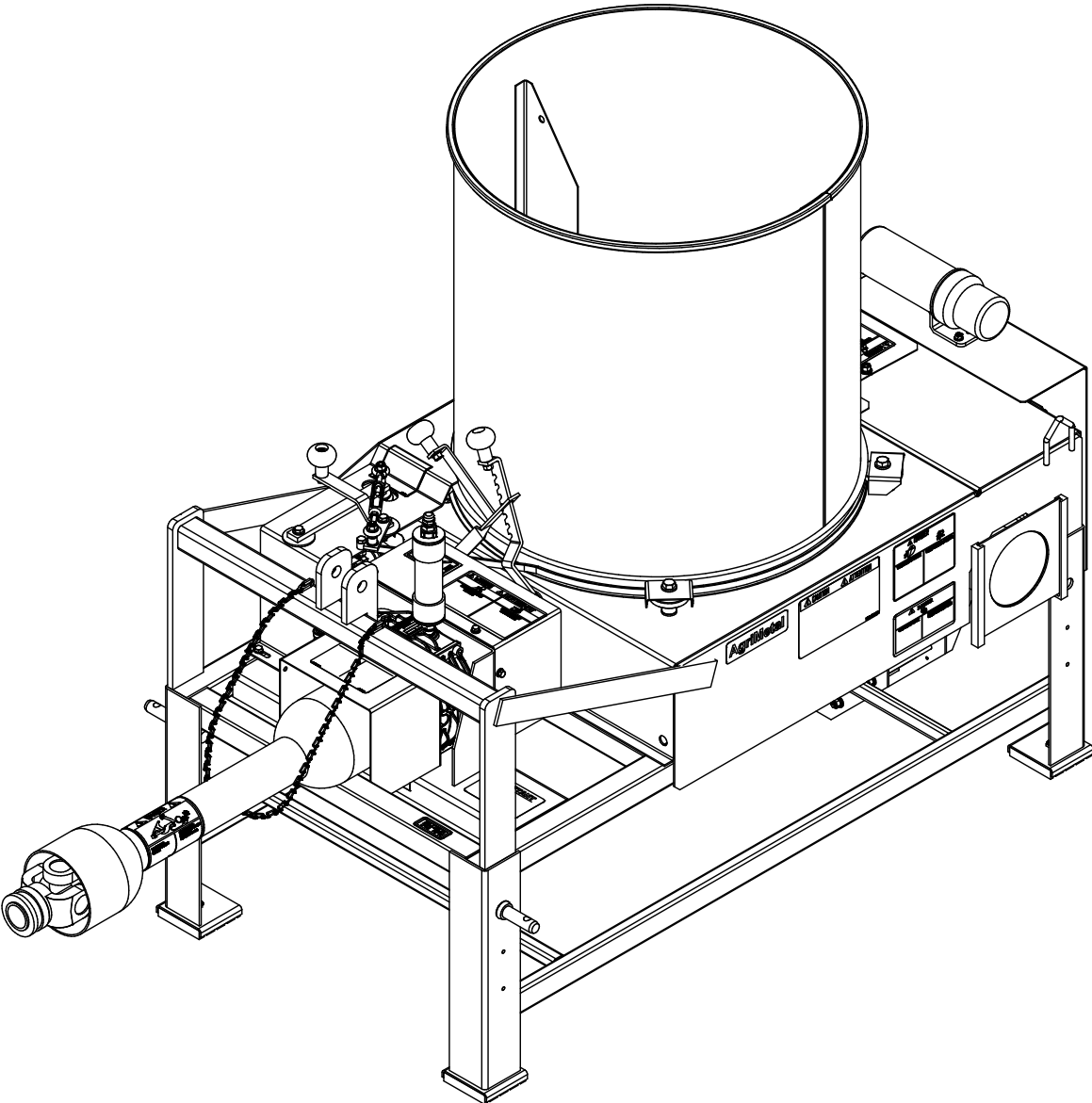


# AgriMetal

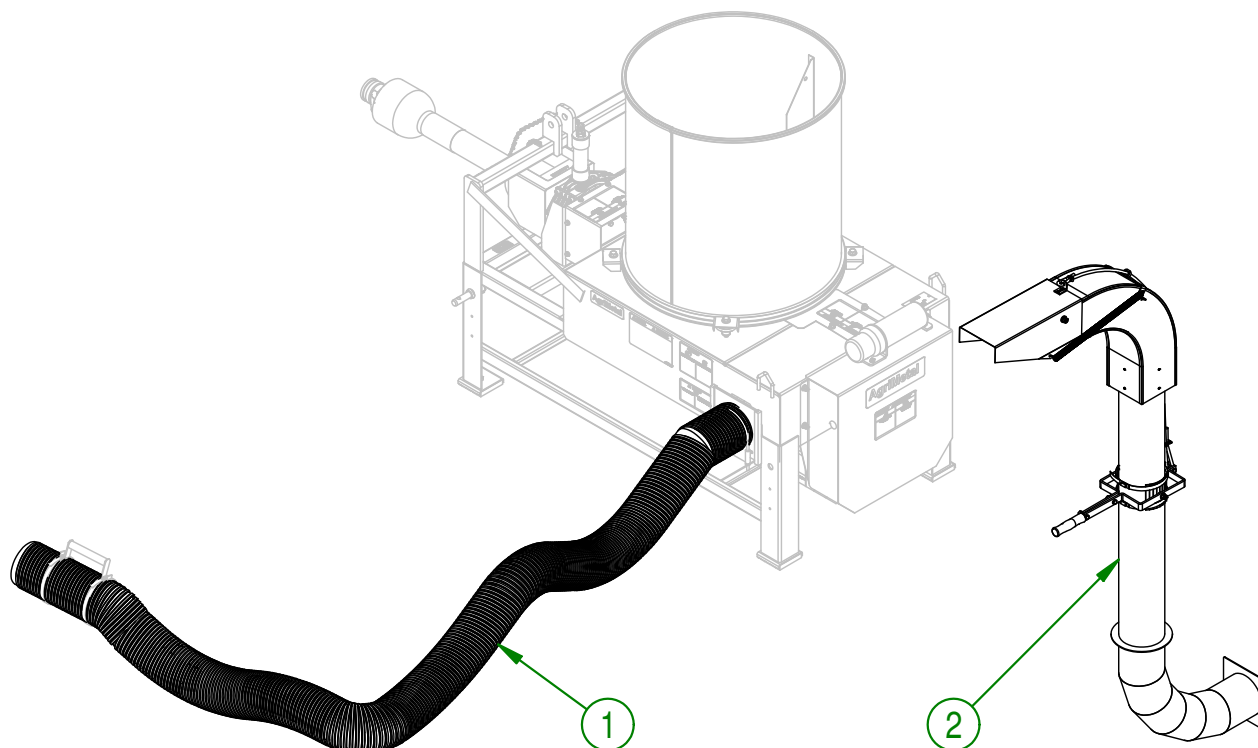
## PARTS LIST



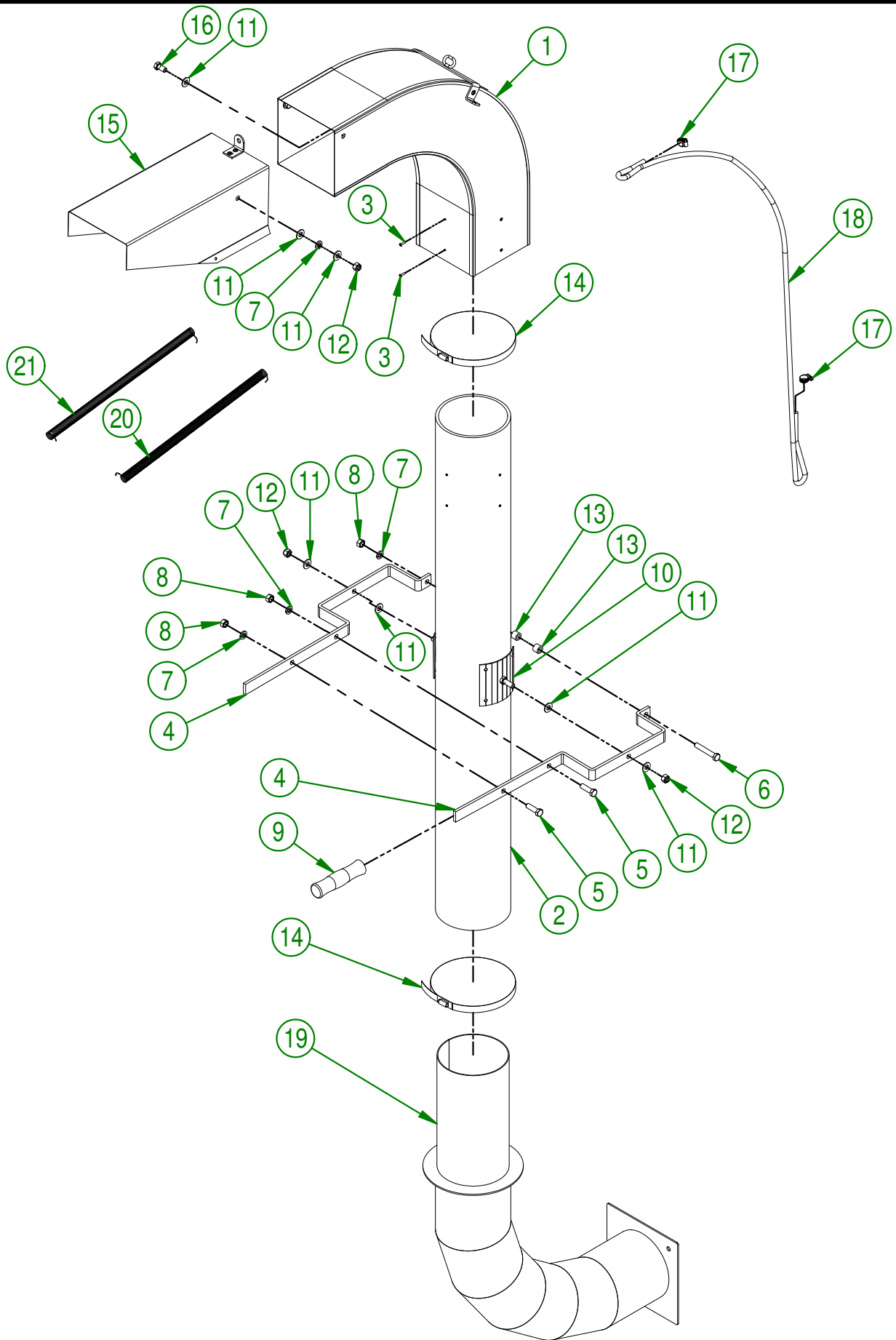
## STRAW MULCHERS (PTO-LS)

#	PART #	QTY	TITLE
1	03-42-0010	1	FLEXIBLE HOSE Ø 6" X (FT) (BIGO) (OPTION)
2	03-55-0035	1	STEEL ELBOW 90° WITH ADJUSTABLE DEFLECTOR (OPTION)

**OPTION:**

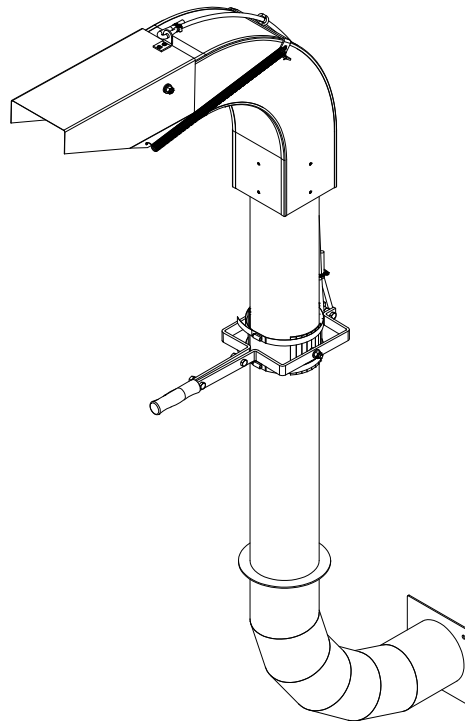


<b>AGRIMETAL</b>	
<b>STRAW MULCHERS (PTO-LS)</b>	
CREATION : 07/09/18	ASSEMBLY : <b>03-99-0500</b>
REVISION : 24/09/18	AUTHOR : F.HÉLIE
	Page 1 de 26



<b>AGRIMETAL</b>	
<b>STEEL ELBOW 90° WITH ADJUSTABLE DEFLECTOR (OPTION)</b>	
CREATION : 07/08/18	ASSEMBLY : <b>03-55-0035</b>
REVISION : 07/09/18	AUTHOR : F.HÉLIE
	Page 2 de 26

#	PART #	Qty	TITLE
1	03-55-0183	1	ASSEMBLY GALV. SQUARE STEEL ELBOW 90°
2	03-42-0015	1	RIGID PVC PIPE Ø6" X 48"LG.
3	NC01-78-0055	8	ALUMINIUM BLIND POP RIVET STEEL MANDREL 0.125 X 0.515
4	03-05-1000	2	ARM CONTROL
5	NC01-17-0115	2	HEX. BOLT GR2 ZINC 3/8-16 X 1 1/4"
6	NC01-17-0119	1	HEX. BOLT GR2 ZINC 3/8-16 X 2 1/4"
7	NC02-32-0012	5	LOCK WASHER ZINC 3/8"
8	NC02-07-0018	3	HEX. NUT ZINC 3/8-16
9	NC13-15-0009	1	RUBBER HANDLE
10	03-50-0045	2	CONTROL HANDLE SUPPORT
11	01-01-2485	10	FLAT WASHER 14 GA X 13/16"OD X 25/64" ID
12	NC01-96-0011	4	NYLON NUT 3/8-16
13	01-09-0000	2	BEARING RACE (UCFL205-16)
14	03-41-0100	2	HOSE CLAMP (HAS 116) Ø7 3/4"
15	03-55-0181	1	GALV.DEFLECTOR ASS.
16	NC01-17-0112	2	HEX. BOLT GR2 ZINC 3/8-16 X 3/4"
17	NC01-65-0053	2	COLLAR (MH4)
18	03-41-0050	1	DEFLECTOR CABLE 3/8" X 58" LG.
19	03-50-0041	1	STEEL ELBOW 90° FOR RIGID PIPE Ø6" (OPTION)
20	NC13-85-0017	1	GALV.SPRING Ø 5/8" X 5 1/4" LG.
21	NC13-85-0017	1	GALV.SPRING Ø 5/8" X 5 1/4" LG.

**AGRIMETAL**

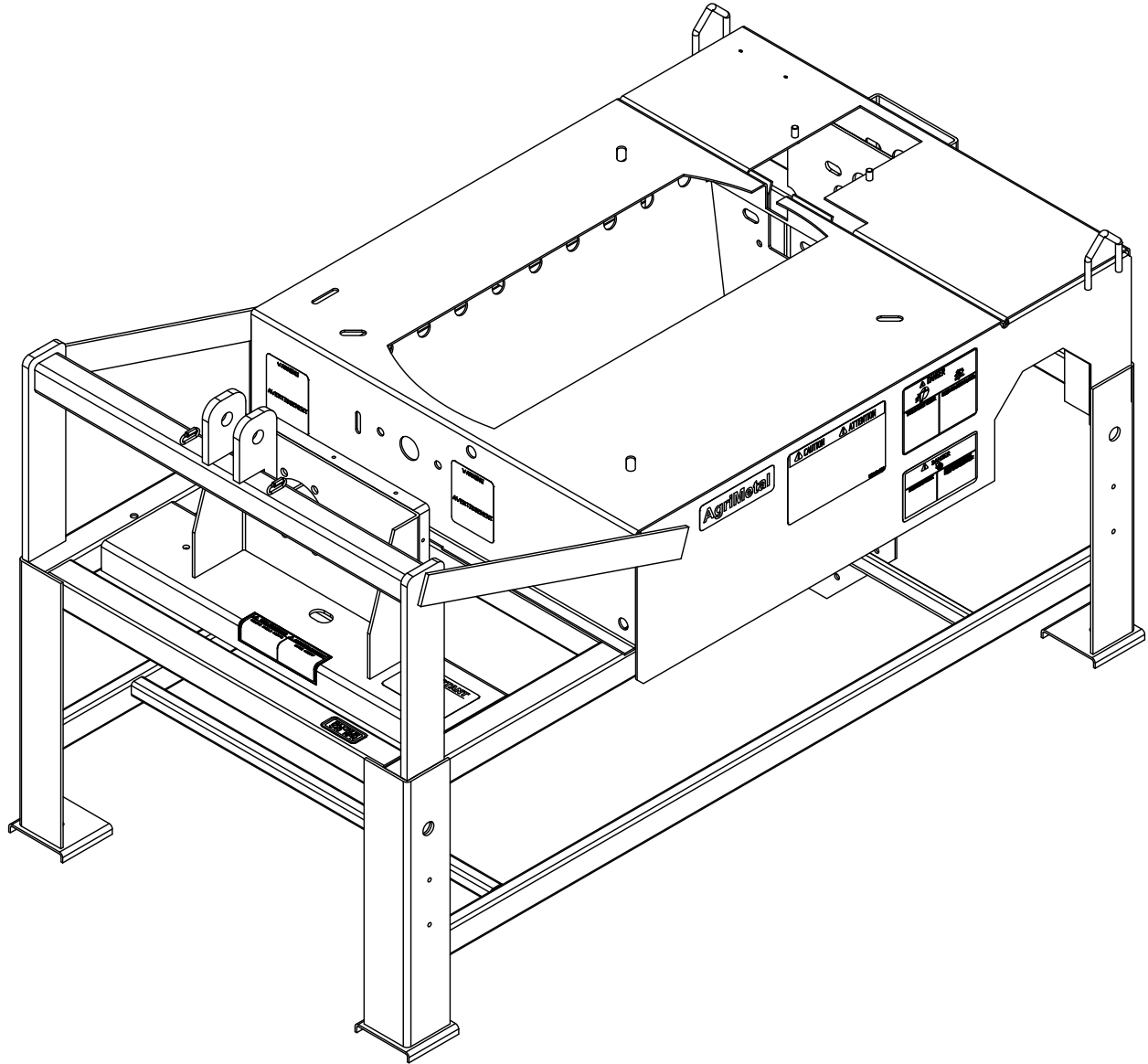
STEEL ELBOW 90° WITH ADJUSTABLE DEFLECTOR (OPTION)

CREATION : 07/08/18  
 REVISION : 07/09/18

ASSEMBLY : **03-55-0035**

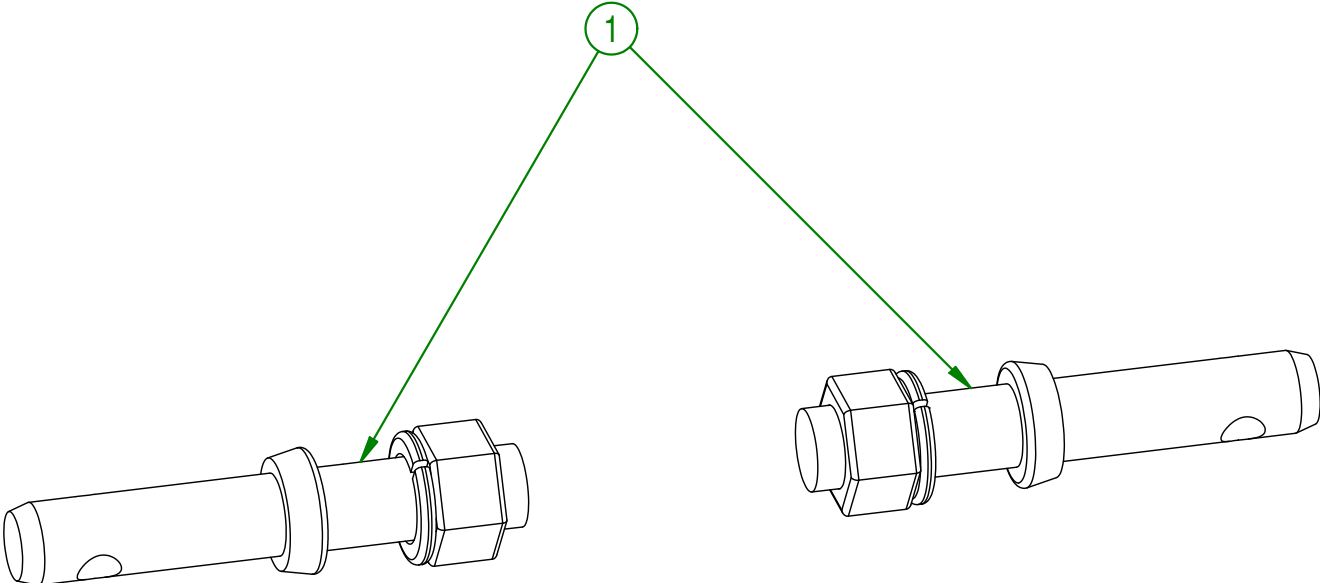
AUTHOR : F.HÉLIE

Page 3 de 26



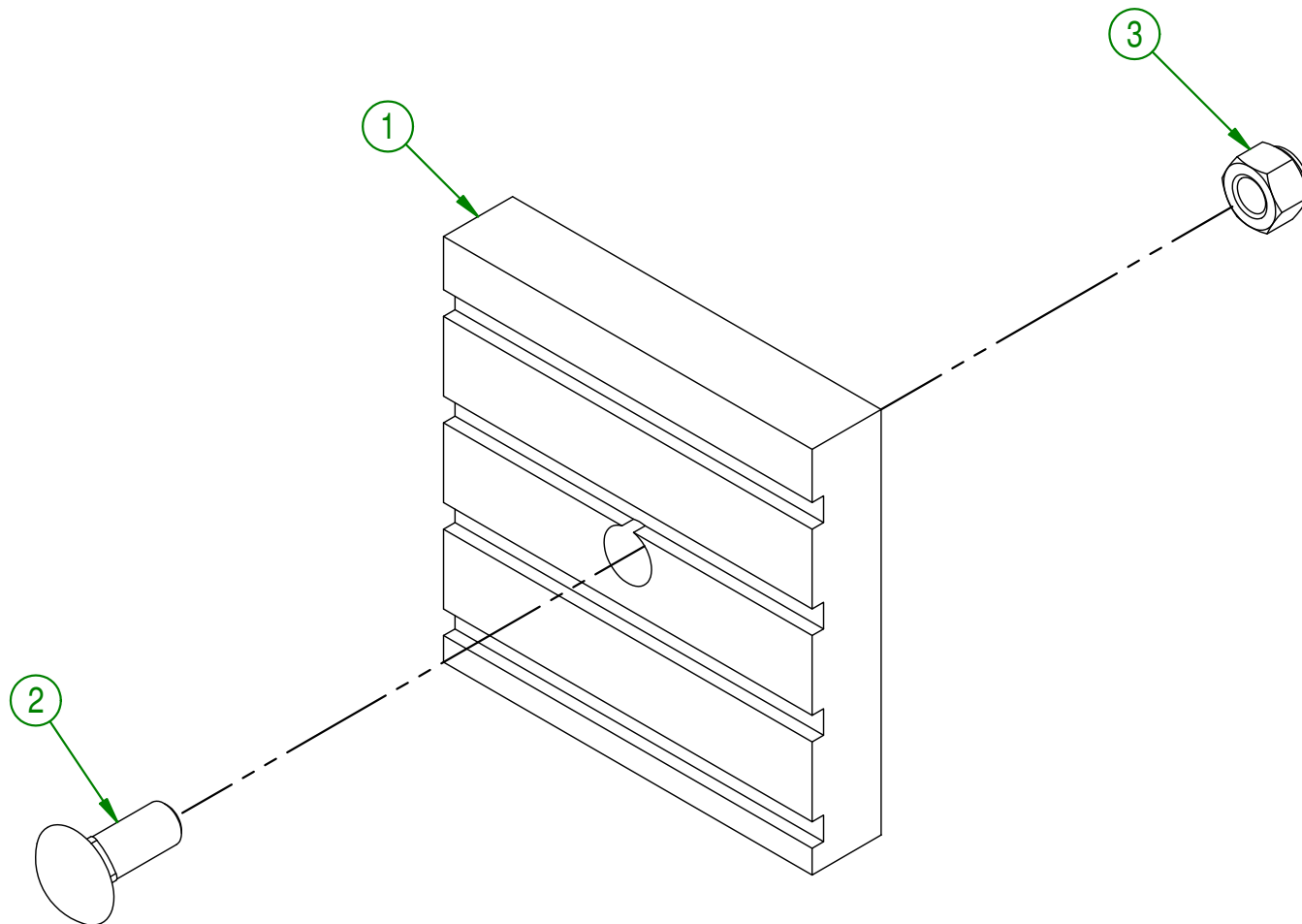
<b>AGRIMETAL</b>	
<b>ASSEMBLY FRAME GROUP "STICKER INCLUDED"</b>	
CREATION : 20/08/18	ASSEMBLY : <b>03-57-0510</b>
REVISION : 24/09/18	AUTHOR : F.HÉLIE
	Page 4 de 26

#	PART #	Qty	TITLE
1	NC01-78-0002	2	3 POINTS PIN 7/8-14 X 5 1/4"



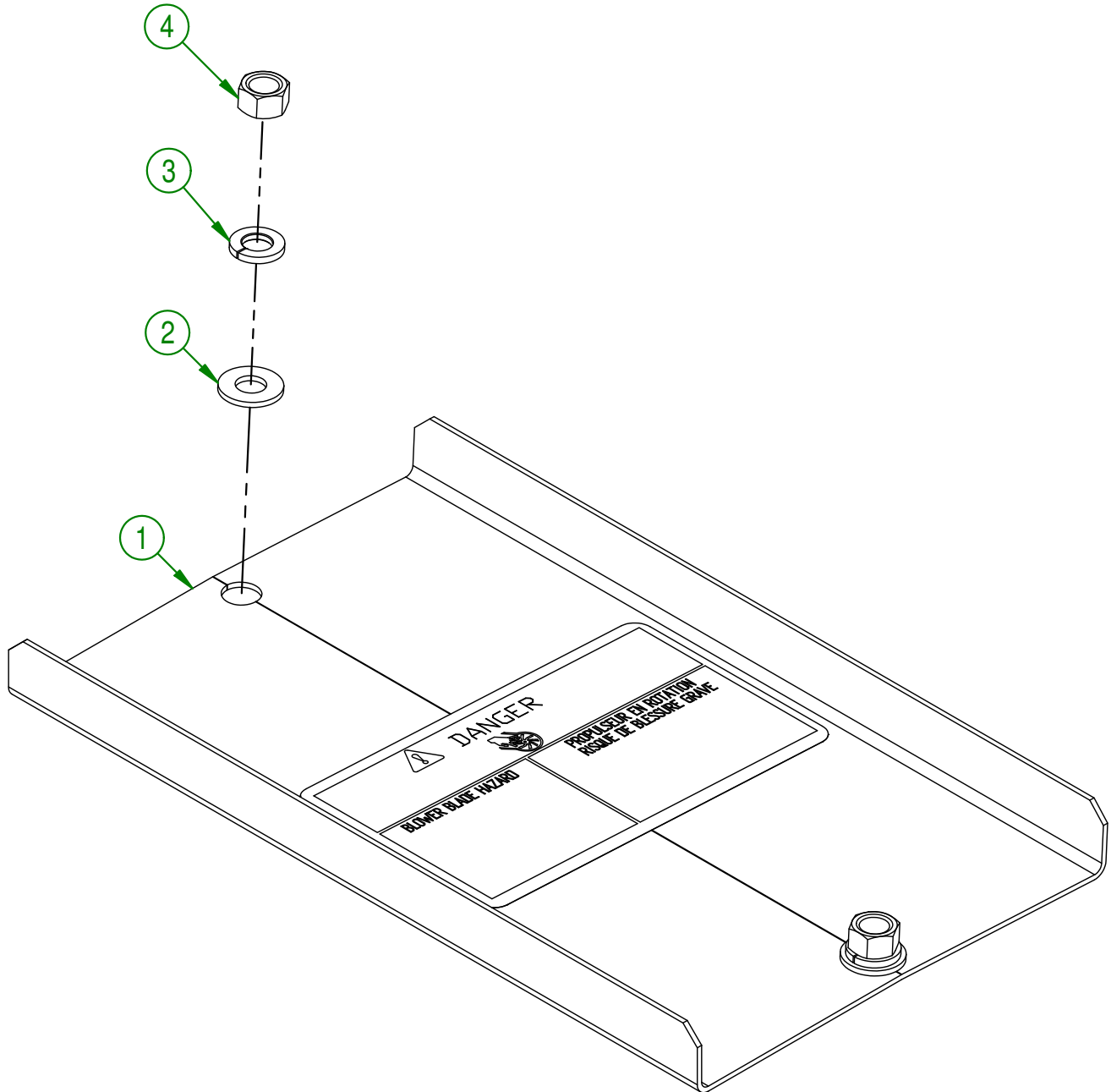
<b>AGRIMETAL</b>	
<b>3 POINTS PIN 7/8-14 X 5 1/4" GROUP</b>	
CREATION : 07/09/18	ASSEMBLY : <b>03-57-0515</b>
REVISION : 07/09/18	AUTHOR : F.HÉLIE
	Page 5 de 26

#	PART #	Qty	TITLE
1	03-42-0070	1	SQUARE RUBBER
2	NC01-04-0109	1	CARR. BOLT GR2 ZINC 3/8-16 X 1"
3	NC01-96-0011	1	NYLON NUT 3/8-16



<b>AGRIMETAL</b>	
<b>SQUARE RUBBER GROUP</b>	
CREATION : 13/07/18	ASSEMBLY : <b>03-57-0205</b>
REVISION : 08/08/18	AUTHOR : F.HÉLIE      Page 6 de 26

#	PART #	Qty	TITLE
1	03-57-0177	1	ACCESS DOOR "STICKER INCLUDED"
2	01-01-2485	2	FLAT WASHER 14 GA X Ø13/16" X Ø25/64"
3	NC02-32-0012	2	LOCK WASHER ZINC 3/8"
4	NC02-07-0018	2	HEX. NUT ZINC 3/8-16



**AGRIMETAL**  
ACCESS DOOR GROUP

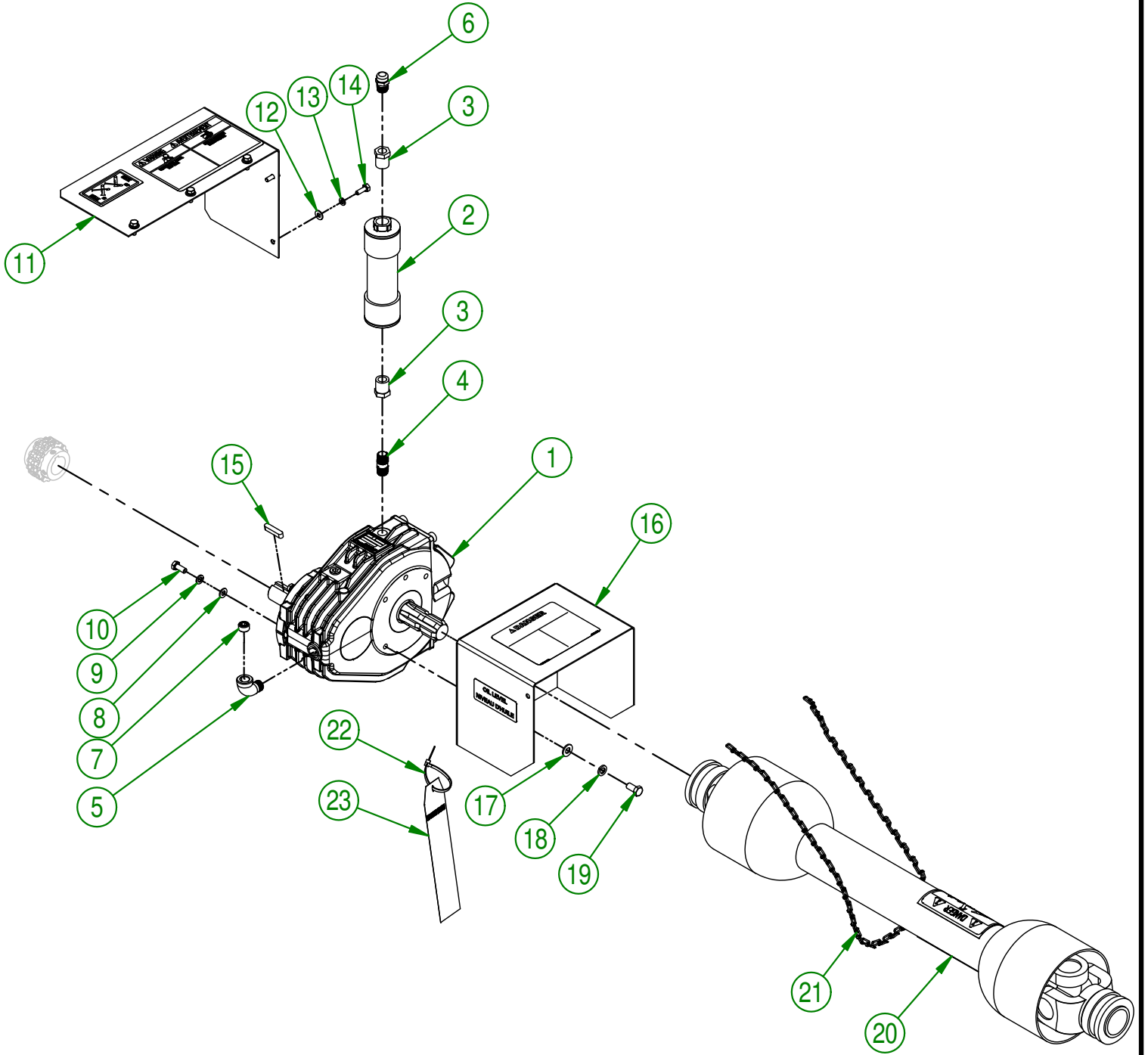
CREATION : 13/07/18  
REVISION : 08/08/18

ASSEMBLY : **03-57-0210**

AUTHOR : F.HÉLIE

Page 7 de 26





<b>AGRIMETAL</b>	
<b>TRANSMISSION GROUP</b>	
CREATION : 06/09/18	ASSEMBLY : <b>01-57-0500</b>
REVISION : 07/09/18	AUTHOR : F.HÉLIE      Page 8 de 26

#	PART #	Qty	TITLE
1	01-34-0101	1	A624A RATIO 1:5 15 TRANSMISSION
2	01-55-0510	1	ABS OIL TANK
3	NC13-45-0031	2	REDUCER FITTING 3/8" FEM. NPT X 1 1/2" MALE NPT
4	NC13-65-0010	1	BRASS NIPPLE 3/8" X 1 1/2" LG.
5	NC13-65-0003	1	BRASS ELBOW 90 3/8 FEM. NPT X 3/8 MALE NPT
6	NC01-64-0186	1	OIL FILLING PLUG AND BREATHER
7	NC02-44-0204	1	SET SCREW NPTF 3/8-18
8	NC02-22-0008	6	WASHER ZINC 5/16"
9	NC02-32-0011	6	LOCK WASHER ZINC 5/16"
10	NC01-45-0184	6	HEX. BOLT GR8.8 ZINC 8MM X 20MM
11	01-57-0545	1	CHAIN GUARD
12	NC02-25-0007	5	WASHER ZINC 0.281 = 9/32
13	NC02-32-0010	5	LOCK WASHER ZINC 1/4"
14	NC01-17-0004	5	HEX. BOLT GR2 ZINC 1/4-20 X 3/4"
15	01-41-0915	1	KEY WAY 5/16" X 5/16" X 1 1/2"
16	01-57-0540	1	PTO GUARD
17	01-01-2485	4	FLAT WASHER 14 GA X 13/16"OD X 25/64" ID
18	NC02-32-0012	4	LOCK WASHER ZINC 3/8"
19	NC01-17-0112	4	HEX. BOLT GR2 ZINC 3/8-16 X 3/4"
20	01-34-0056	1	PTO T40 X 36.69"
21	01-41-0000	1	LINK CHAIN (34")
22	NC13-25-0245	1	BLACK TIE RAP
23	NC13-50-0110	1	IMPORTANT/NOTICE PTO POSTER

**AGRIMETAL****TRANSMISSION GROUP**

CREATION : 06/09/18  
 REVISION : 07/09/18

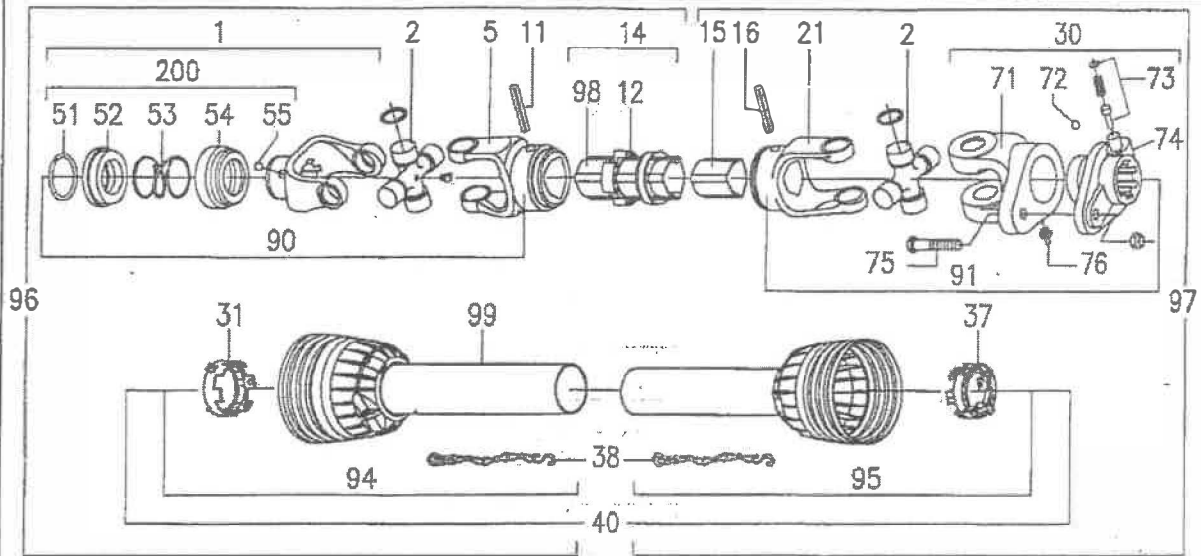
ASSEMBLY : **01-57-0500**

AUTHOR : F.HÉLIE

Page 9 de 26

# PTO/LS BALE CHOPPER

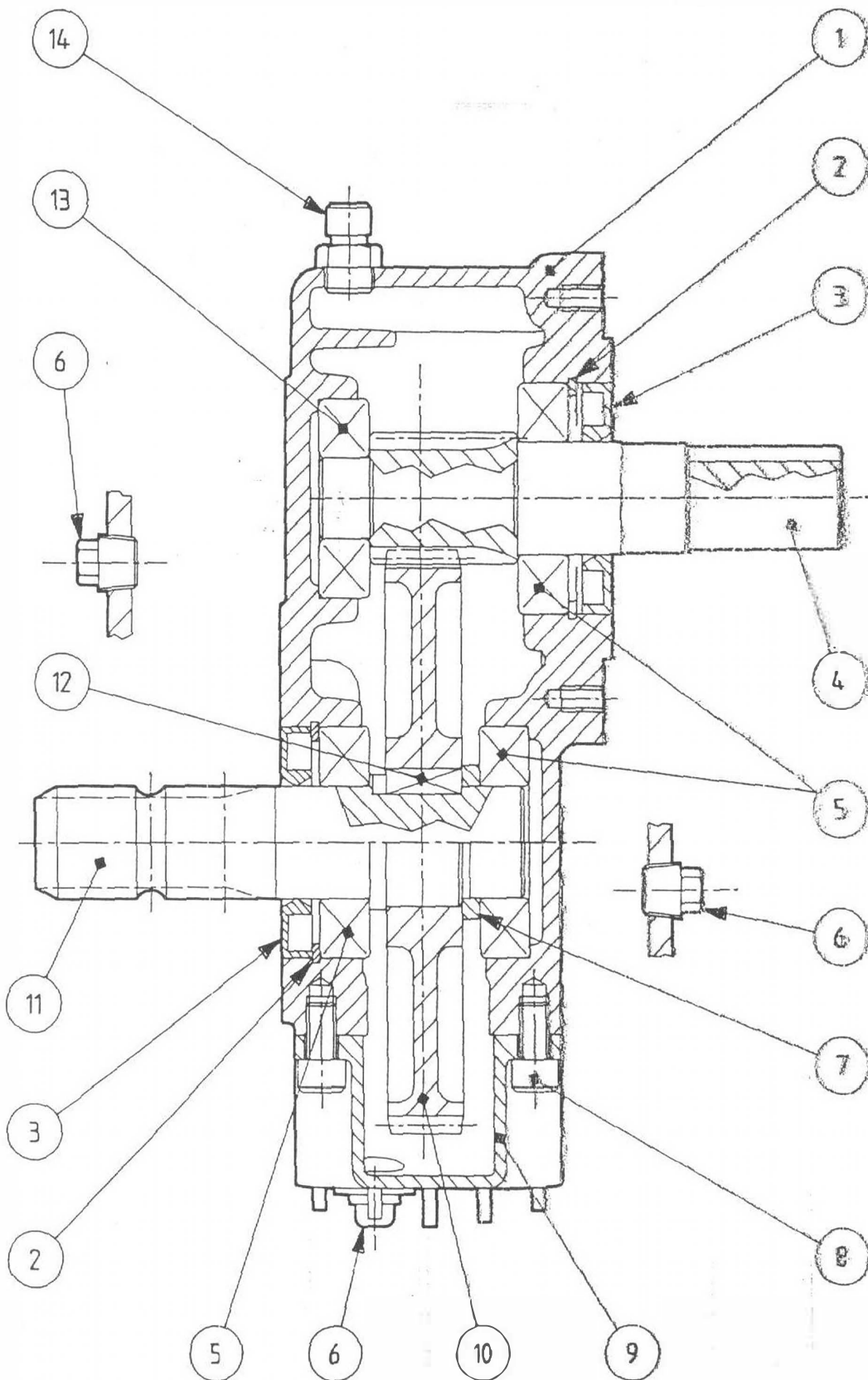
# AGRIMETAL : 01-34-0056



Pos.	Description	Q.ty	Code	Pos.
1	Complete collar yoke C12	1	141.024.430	1
2	Cross journal set	2	180.014.130	2
5	Outer yoke	1	151.014.006	5
11	Roll pin for outer tube	1	190.000.014	11
12	Bush with grease fitting	1	180.014.291	12
14	Complete outer tube with labels	1	152.140.363.7850	14
15	Inner tube	1	153.140.109	15
16	Roll pin for inner tube	1	190.000.012	16
21	Inner yoke	1	151.014.007	21
30	Complete shear bolt B02 (55xM8)	1	143.240.001	30
31	Guard retaining collar for outer tube	1	180.014.505	31
37	Guard retaining collar for inner tube	1	180.014.506	37
38	Safety chains	2	180.016.636	38
40	Complete guard with instruction manual	1	142.340.051.7450	40
51	Outer circlip	1	190.000.451	51
52	Sliding sleeve collar	1	151.016.486	52
53	Spring	1	180.016.487	53
54	Fixed sleeve	1	180.016.483	54
55	Ball $\phi$ 1/2"	3	190.000.078	55
71	Yoke for hub B02 (55xM8)	1	151.014.012	71
72	Ball $\phi$ 1/4"	23	190.000.022	72
73	Push pin set 1 3/8"	1	166.026.004	73
74	Hub B02 (55xM8)	1	141.024.013	74
75	Bolt & nut M8x50 cl.8.8	6	165.000.505	75
76	Grease fitting M8x1	1	190.000.020	76
90	U Joint for outer tube	1	121.024.760.10	90
91	U Joint for inner tube	1	121.024.704.10	91
94	Half female guard	1	142.346.067.7450	94
95	Half male guard	1	142.347.063.7450	95
96	Half female shaft with guarding	1	123.540.064.10	96
97	Half male shaft with guarding	1	123.640.128.10	97
98	"DANGER" Label for outer tube	1	190.000.216	98
99	"DANGER" Label for outer guard tube	1	190.000.215	99
100	Instruction manual	1	190.000.692	100
200	Kit collar 1 3/8"	1	165.000.628	200

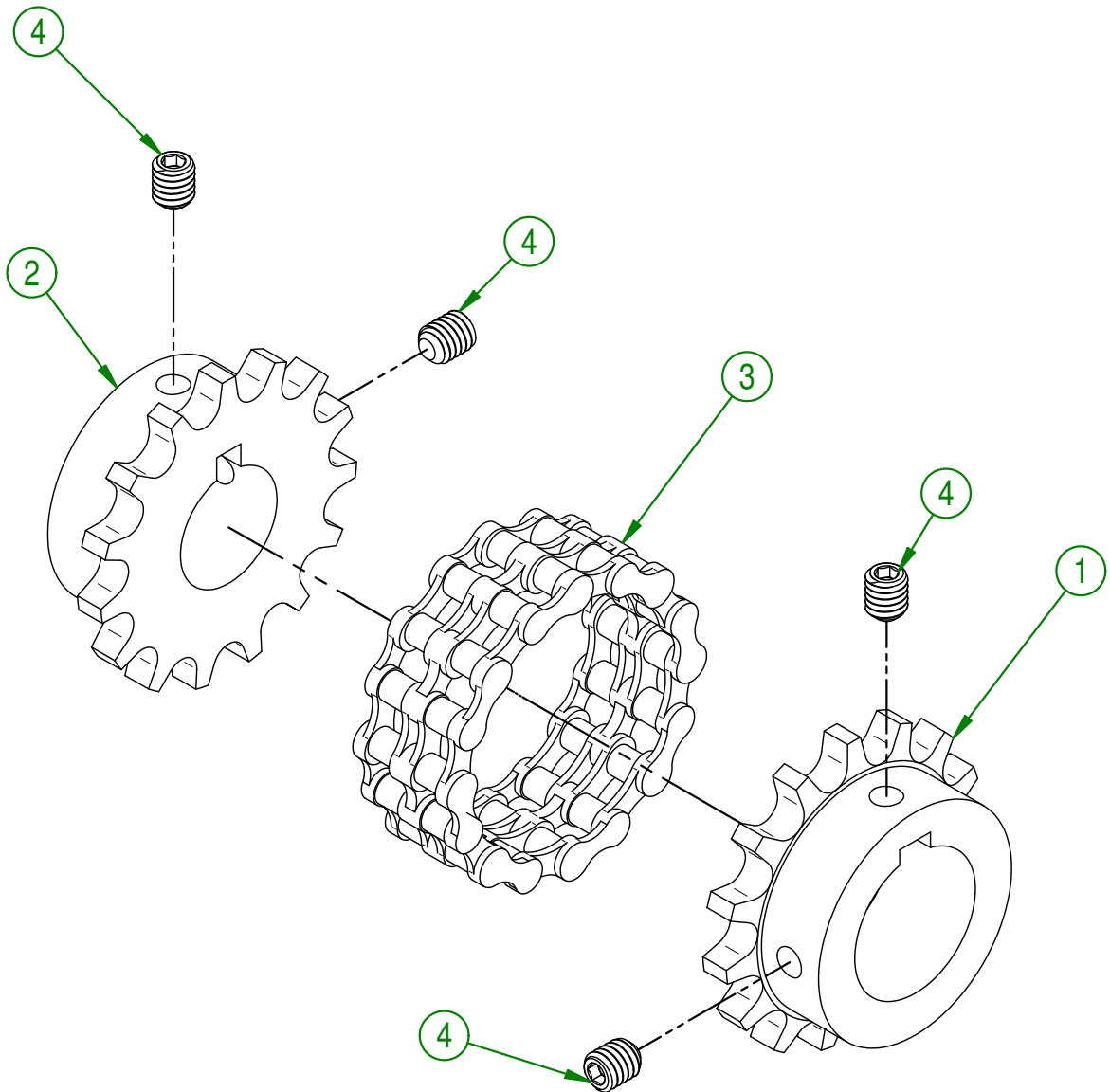
Drawing index: - Date: -

#AGRIMETAL: 01-34-0101



POS.	DRG. N.	PIEC	DESCRIPTION
1	0.624.0300.00	1	CASING
2	8.5.2.00131	2	SNAP RING 72 UNI7437
3	8.7.3.00055	2	OIL SEAL 35X72X10
4	0.617.5301.00	1	FINION SHAFT Z13 M2.5
5	8.0.1.00025	3	BEARING 6207
6	8.6.6.00201	3	PLUG 3/8"GAS
7	0.617.7100.00	1	SPACER
8	8.1.2.00672	6	BOLT M10X18 8,8
9	0.624.1300.00	1	COVER
10	0.617.5300.00	1	GEAR Z67
11	0.617.2000.00	1	SHAFT
12	8.4.1.00312	1	PARALLEL KEY A 12X8X30
13	8.0.1.00001	1	BEARING 6305
14	8.6.7.00161	1	OIL FILLER PLUG 3/8G

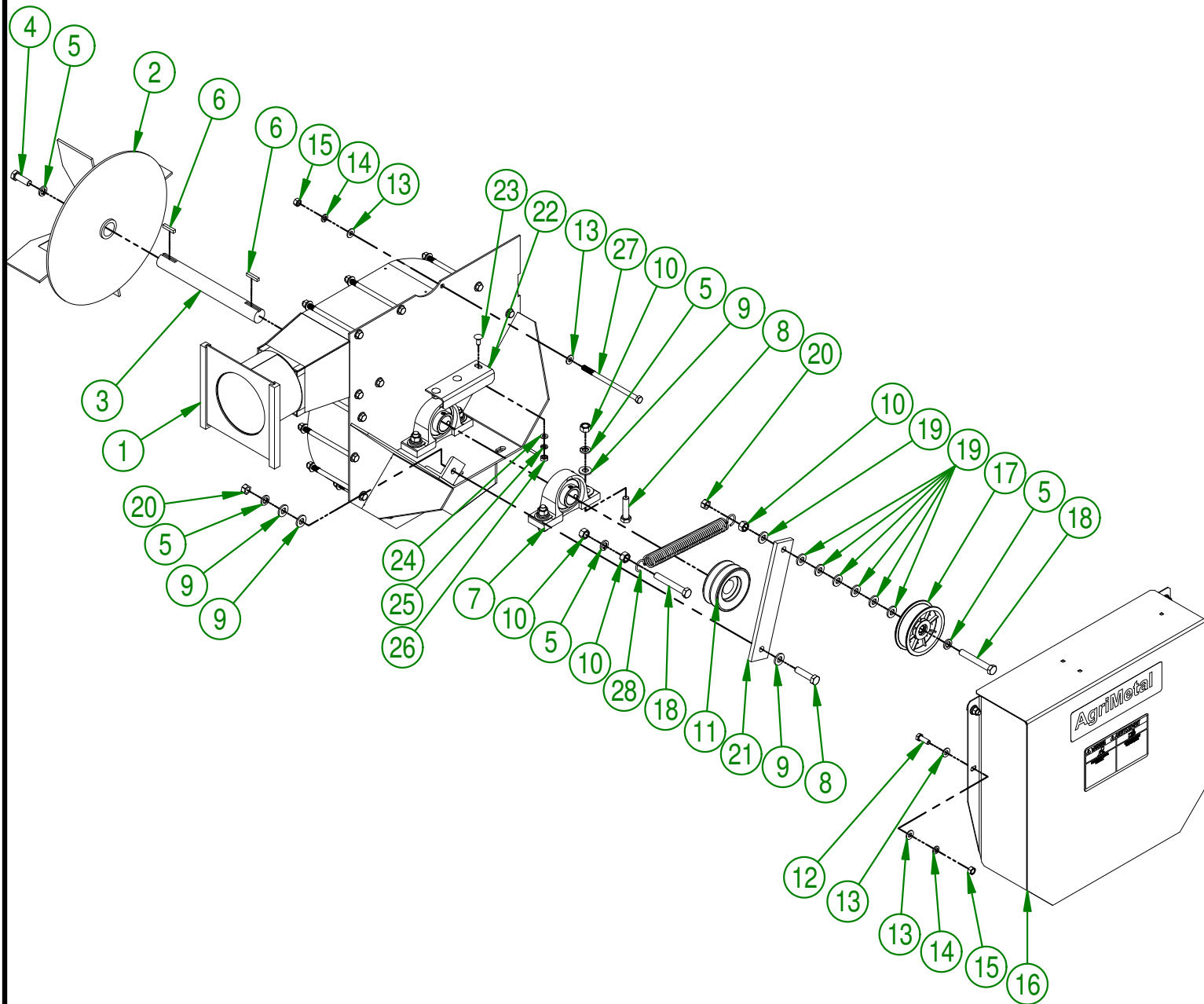
#	PART #	Qty	TITLE
1	01-36-1818	1	SPROCKET (#4016 X $\varnothing$ 1 1/4")
2	01-36-1815	1	SPROCKET (#4016 X $\varnothing$ 1")
3	NC14-20-0030	1	CHAIN 4016
4	NC02-44-0103	4	SET SCREW 5/16-18 X 3/8"

**AGRIMETAL**ASSEMBLY SPROCKET COUPLING #4016 X  $\varnothing$ 1" X  $\varnothing$ 1 1/4"

CREATION : 06/09/18  
 REVISION : 06/09/18

ASSEMBLY : **01-55-0530**

AUTHOR : F.HÉLIE Page 13 de 26



**AGRIMETAL**  
**IMPELLER GROUP**

CREATION : 06/09/18  
 REVISION : 24/09/18

ASSEMBLY : **03-57-0050**

AUTHOR : F.HÉLIE | Page 14 de 26

03-57-0050

#	PART #	Qty	TITLE
1	03-50-0031	1	BLOWER HOUSING
2	03-50-0026	1	IMPELLER
3	03-20-0110	1	IMPELLER SHAFT
4	NC01-17-0249	1	HEX. BOLT GR2 ZINC 1/2-13 X 1 1/2"
5	NC02-32-0014	8	LOCK WASHER ZINC 1/2"
6	01-41-0910	2	KEY
7	01-38-0010	2	PILLOW BLOCK UCP 207-20 X Ø1 1/4"
8	NC01-17-0251	5	HEX. BOLT GR2 ZINC 1/2-13 X 2"
9	NC02-25-0011	11	WASHER SAE ZINC 17/32 ID
10	NC02-07-0020	7	HEX. NUT ZINC 1/2-13
11	03-39-0339	1	PULLEY 2MB40 Ø 1 1/4"
12	NC01-17-0114	4	HEX. BOLT GR2 ZINC 3/8-16 X 1"
13	01-01-2485	38	FLAT WASHER 14 GA X 13/16"OD X 25/64" ID
14	NC02-32-0012	19	LOCK WASHER ZINC 3/8"
15	NC02-07-0018	19	HEX. NUT ZINC 3/8-16
16	03-57-0169	1	BLOWER BELT GUARD "STICKER INCLUDED"
17	03-39-0600	1	IDLER PULLEY PI-400 Ø4"
18	NC01-17-0257	2	HEX. BOLT GR2 ZINC 1/2-13 X 3 1/2"
19	01-01-0925	7	WASHER
20	NC01-96-0014	2	NYLON-INSERT LOCKNUT ZINC 1/2-13
21	03-05-2000	1	BELT TIGHTENER
22	03-01-1600	1	BELT TIGHTENER SUPPORT
23	NC01-04-0056	3	CARR. BOLT 5/16-18 X3/4"
24	NC02-22-0008	3	WASHER ZINC 5/16"
25	NC02-32-0011	3	LOCK WASHER ZINC 5/16"
26	NC02-07-0017	3	HEX. NUT 5/16-18
27	NC01-17-0136	15	HEX. BOLT GR2 NC.ZINC 3/8-16 X 6 1/2"
28	NC13-85-0014	1	GALVANISED SPRING .123"FIL. X 1" D.E. X 9"LG.

**AGRIMETAL**  
IMPELLER GROUP

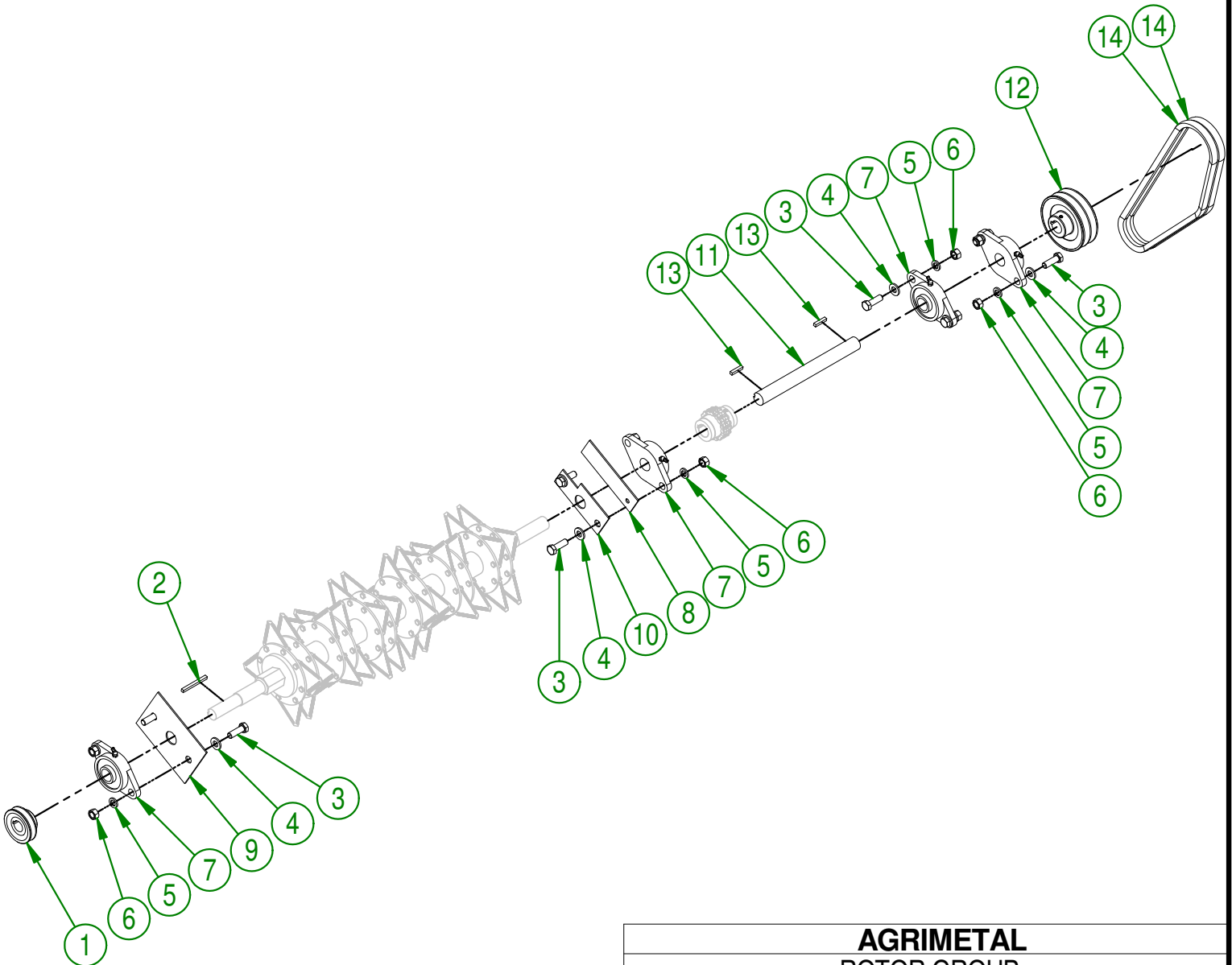
CREATION : 06/09/18  
REVISION : 24/09/18

ASSEMBLY : **03-57-0050**

AUTHOR : F.HÉLIE Page 15 de 26



#	PART #	Qty	TITLE
1	NC14-62-0031	1	PULLEY MA30 X Ø1" KW 1/4" 2SS 5/16-18
2	01-41-0925	1	SQUARE KEY 1/4" X 1/4" X 2 3/4"LG.
3	NC01-17-0249	8	HEX. BOLT GR2 ZINC 1/2-13 X 1 1/2"
4	NC02-25-0011	8	WASHER SAE ZINC 17/32 ID
5	NC02-32-0014	8	LOCK WASHER ZINC 1/2"
6	NC02-07-0020	8	HEX. NUT ZINC 1/2-13
7	03-38-0005	4	BEARING UCFL 206-18 X Ø 1 1/8"
8	03-01-1605	1	BEARING PROTECTOR
9	03-01-1610	1	BEARING PROTECTOR
10	03-01-1615	1	BEARING PROTECTOR
11	03-20-0106	1	EXTENSION SHAFT
12	03-39-0330	1	PULLEY 2MB50 X Ø 1 1/8"
13	01-41-0910	2	KEY
14	NC14-25-0352	2	V BELT 21/32 (B-39)



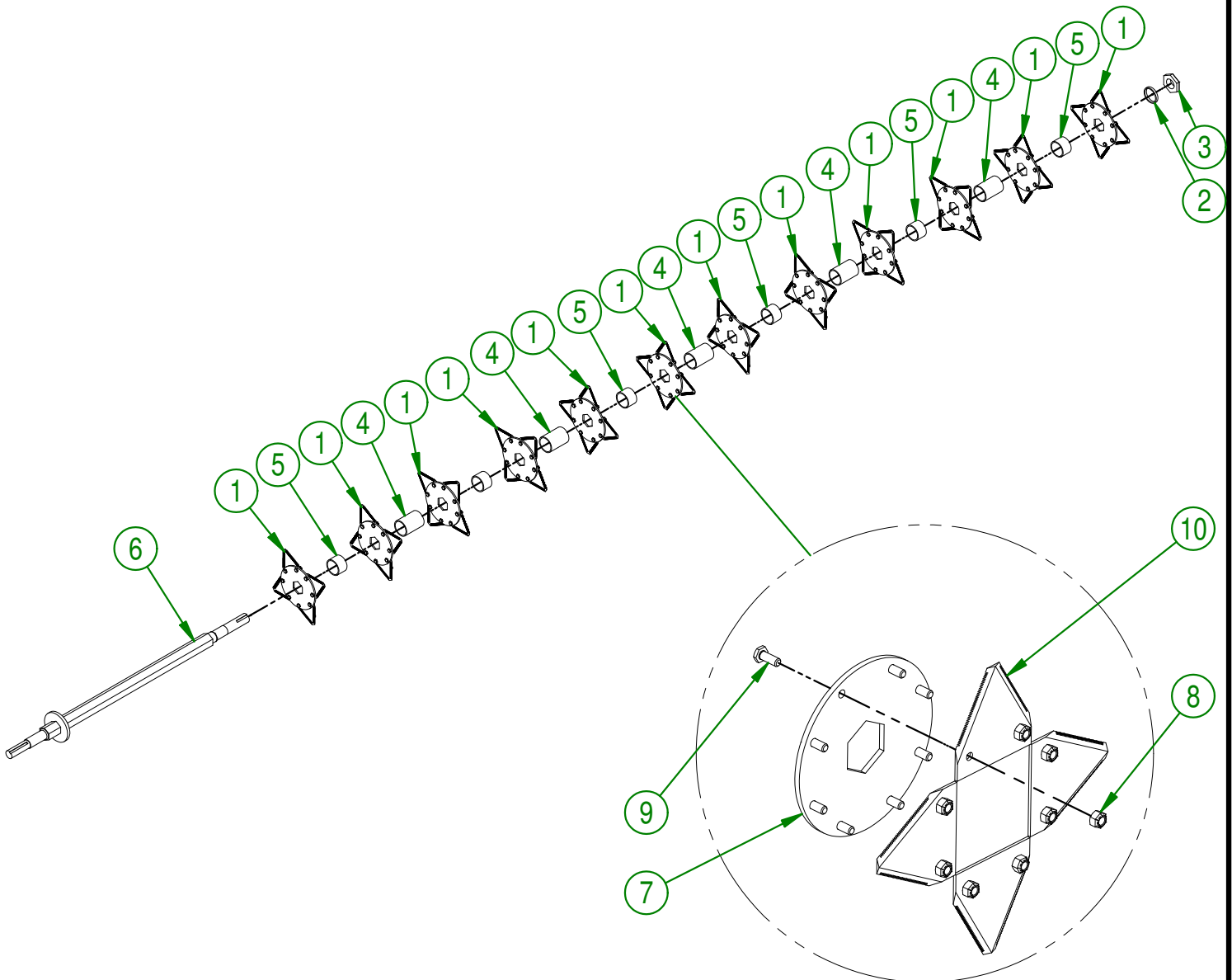
<b>AGRIMETAL</b>	
<b>ROTOR GROUP</b>	
CREATION : 05/09/18	ASSEMBLY : <b>03-57-0500</b>
REVISION : 09/07/19	AUTHOR : F.HÉLIE Page 16 de 26

03-55-0509

#	PART #	Qty	TITLE
1	01-55-0007	12	ASSY BOLTED KNIVES & WASHER
2	01-57-0045	1	ROTOR ADJUSTMENT SUPPORT SHIM GROUP
3	NC01-98-0021	1	HEX. BLOC NUT 1/4-18
4	01-11-3515	5	ROTOR SUPPORT SHIM
5	01-11-3520	6	ROTOR SUPPORT SHIM
6	03-50-1009	1	ROTOR HEXAGONAL SHAFT

01-55-0007

#	PART #	Qty	TITLE
7	03-20-0005	1	ROTOR WASHER
8	NC01-97-0004	8	NYLON-INSERT LOCKNUT ZINC 1/4-28
9	NC01-29-0003	8	HEX. BOLT GR5 ZINC 1/4-28 X 5/8"
10	NC13-22-0001	4	KNIFE



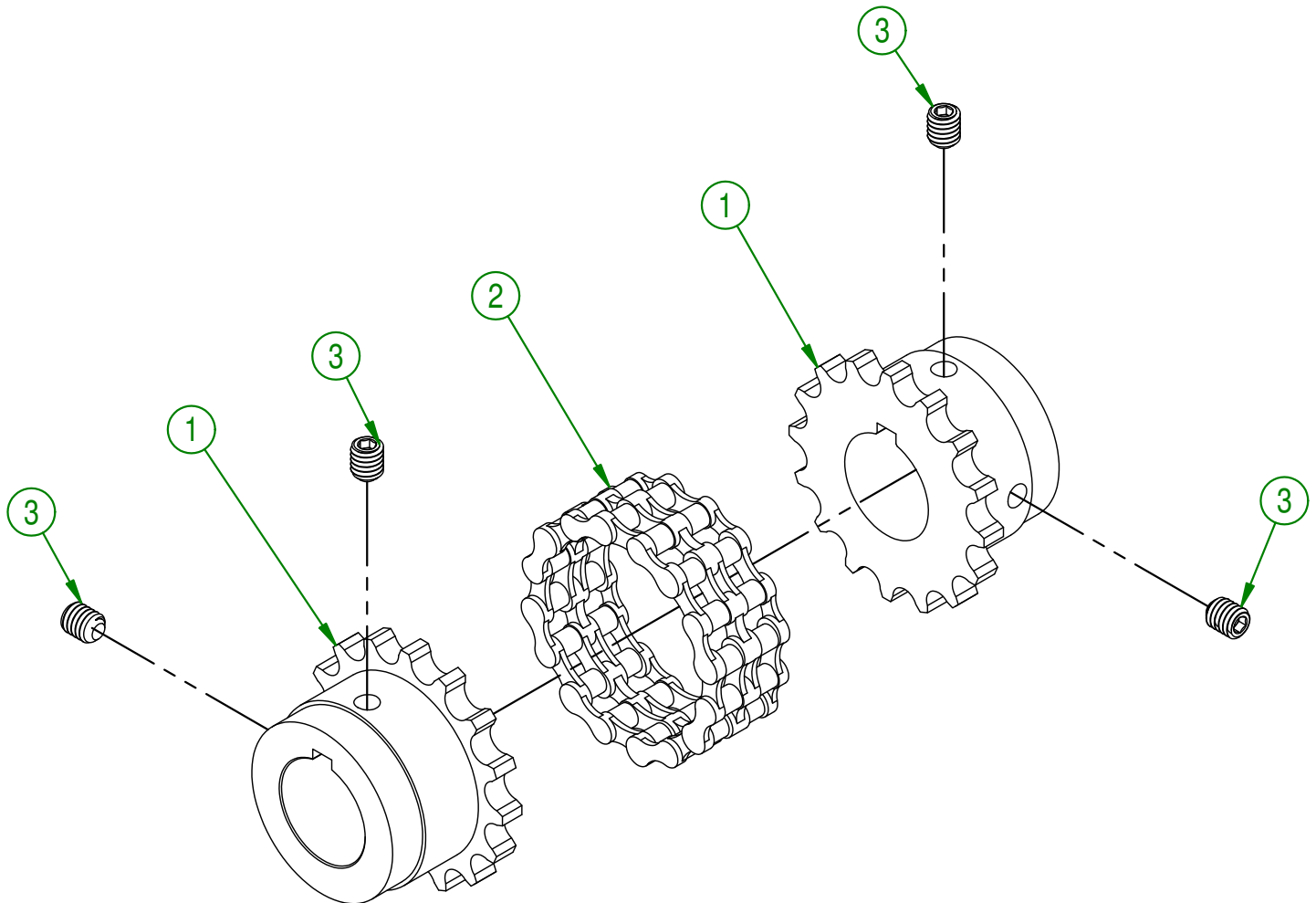
**AGRIMETAL**  
**ROTOR ASSEMBLY**

CREATION : 05/09/18  
 REVISION : 09/07/19

ASSEMBLY : **03-55-0509**

AUTHOR : F.HÉLIE Page 17 de 26

#	PART #	Qty	TITLE
1	03-36-1816	2	SPROCKET COUPLING #4016 x $\varnothing$ 1 1/8"
2	NC14-20-0030	1	CHAIN 4016
3	NC02-44-0103	4	SET SCREW 5/16-18 X 3/8"

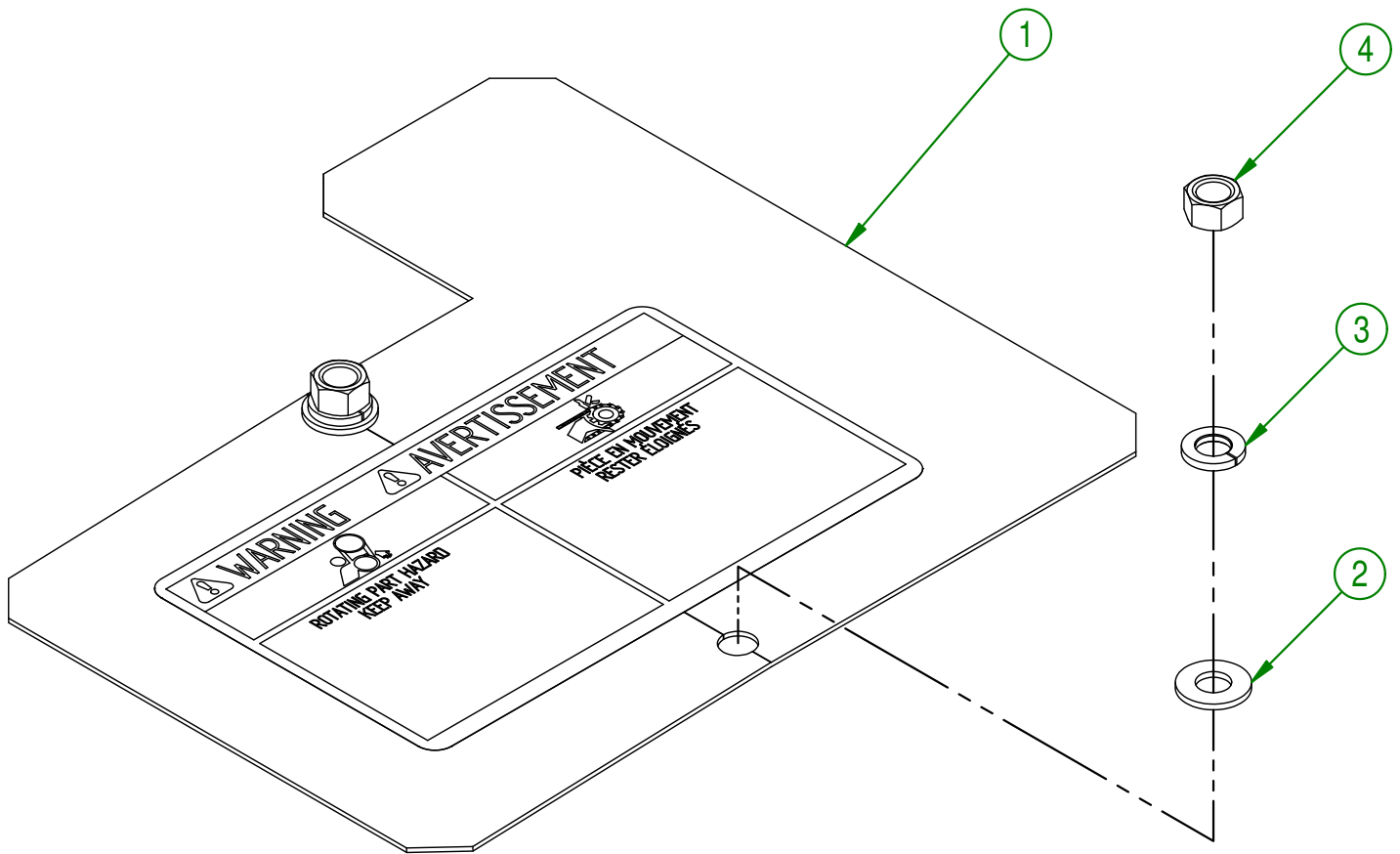
**AGRIMETAL****SPROCKET COUPLING ASS. #4016 X  $\varnothing$  1 1/8"**

CREATION : 05/09/18  
 REVISION : 24/09/18

ASSEMBLY : **03-55-0030**

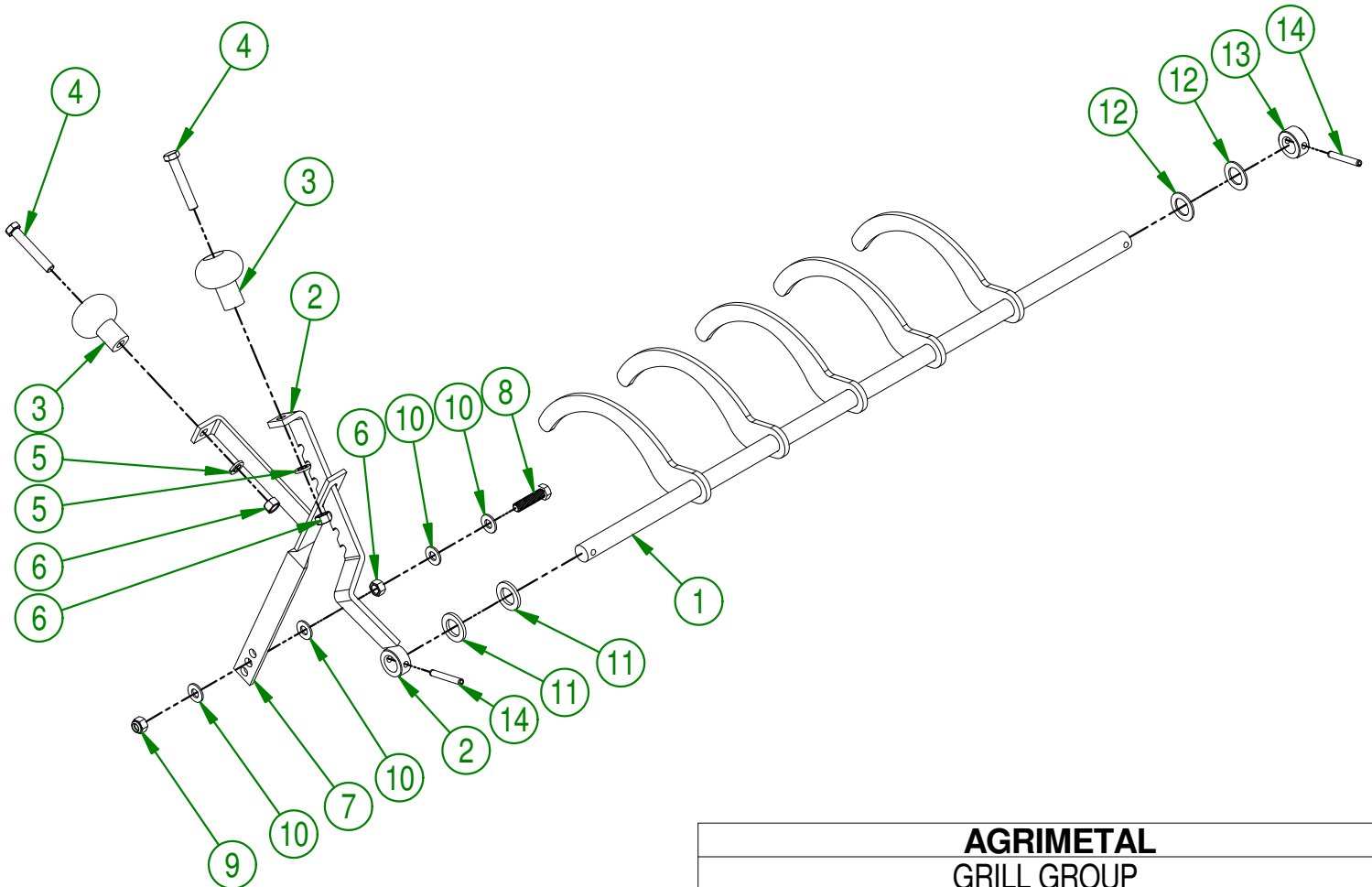
AUTHOR : F.HÉLIE | Page 18 de 26

#	PART #	Qty	TITLE
1	03-57-0167	1	ROTOR ACCESS DOOR "STICKER INCLUDED"
2	01-01-2485	2	FLAT WASHER 14 GA X 13/16"OD X 25/64" ID
3	NC02-32-0012	2	LOCK WASHER ZINC 3/8"
4	NC02-07-0018	2	HEX. NUT ZINC 3/8-16



<b>AGRIMETAL</b>	
<b>ROTOR ACCESS DOOR GROUP (TOP)</b>	
CREATION : 05/09/18	ASSEMBLY : <b>03-57-0168</b>
REVISION : 05/09/18	AUTHOR : F.HÉLIE   Page 19 de 26

#	PART #	Qty	TITLE
1	03-50-1010	1	GRILL
2	01-50-0025	1	TEETH ARM
3	NC17-46-0018	2	HANDLE KNOB
4	NC01-17-0119	2	HEX. BOLT GR2 ZINC 3/8-16 X 2 1/4"
5	NC02-32-0012	2	LOCK WASHER ZINC 3/8"
6	NC02-07-0018	3	HEX. NUT ZINC 3/8-16
7	03-50-0085	1	ADJUSTABLE ARM
8	NC01-15-0116	1	HEX BOLT. GR2 NC F.L. Z 3/8-16 X 1-1/2
9	NC01-96-0011	1	NYLON NUT 3/8-16
10	01-01-2485	4	FLAT WASHER 14 GA X 13/16"OD X 25/64" ID
11	01-33-0035	2	FLAT WASHER Ø 1 1/4" X Ø 49/64" X 10 GA.
12	01-33-0036	2	FLAT WASHER Ø 1 1/4" X Ø 3/4" X 14 GA.
13	03-41-0001	1	COLLAR Ø 3/4"
14	NC01-69-0463	2	SPRING PIN 1/4" X 1 3/4"

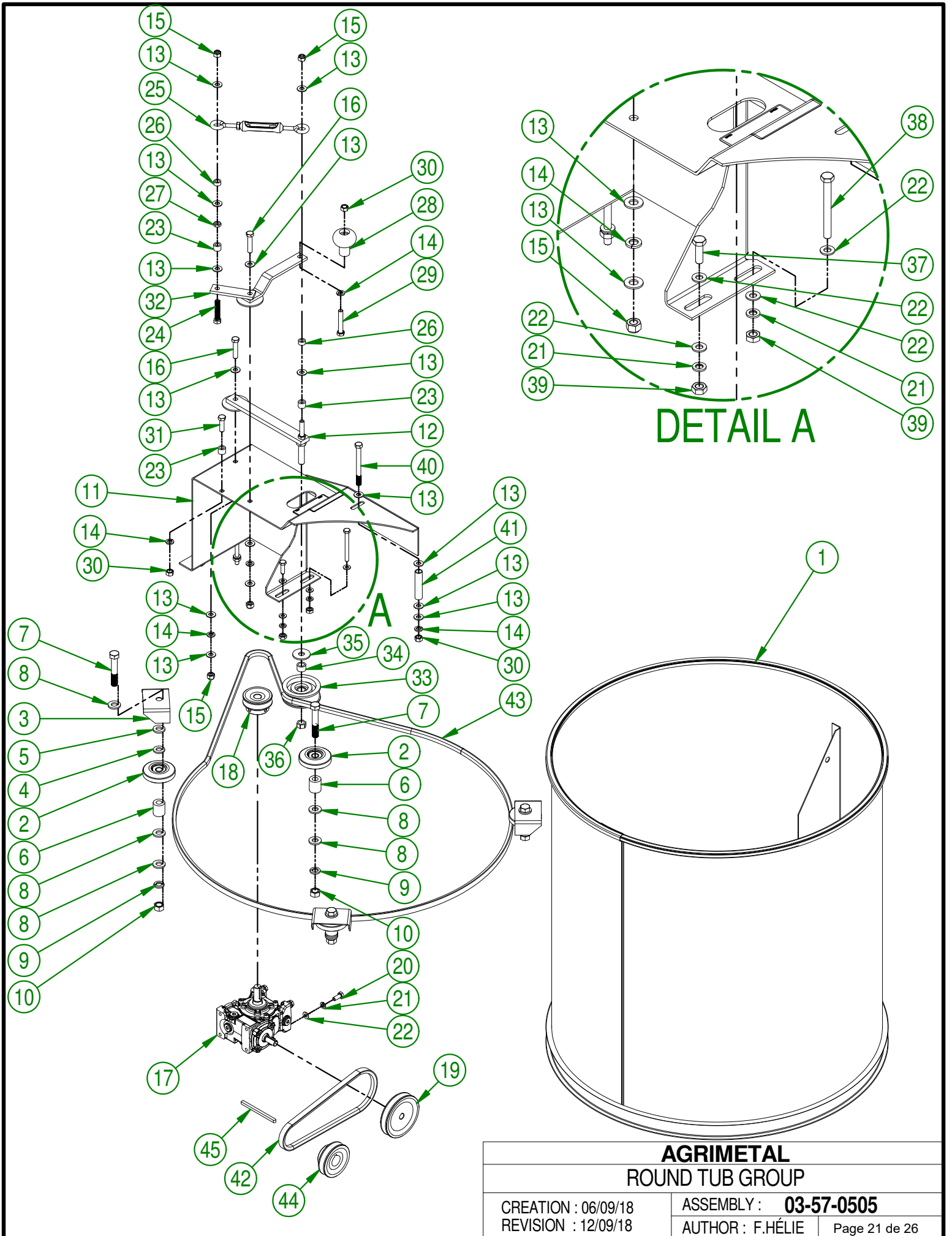


**AGRIMETAL**  
GRILL GROUP

CREATION : 05/09/18  
REVISION : 05/09/18

ASSEMBLY : **03-57-0157**

AUTHOR : F.HÉLIE Page 20 de 26



**DETAIL A**

**AGRIMETAL**  
**ROUND TUB GROUP**

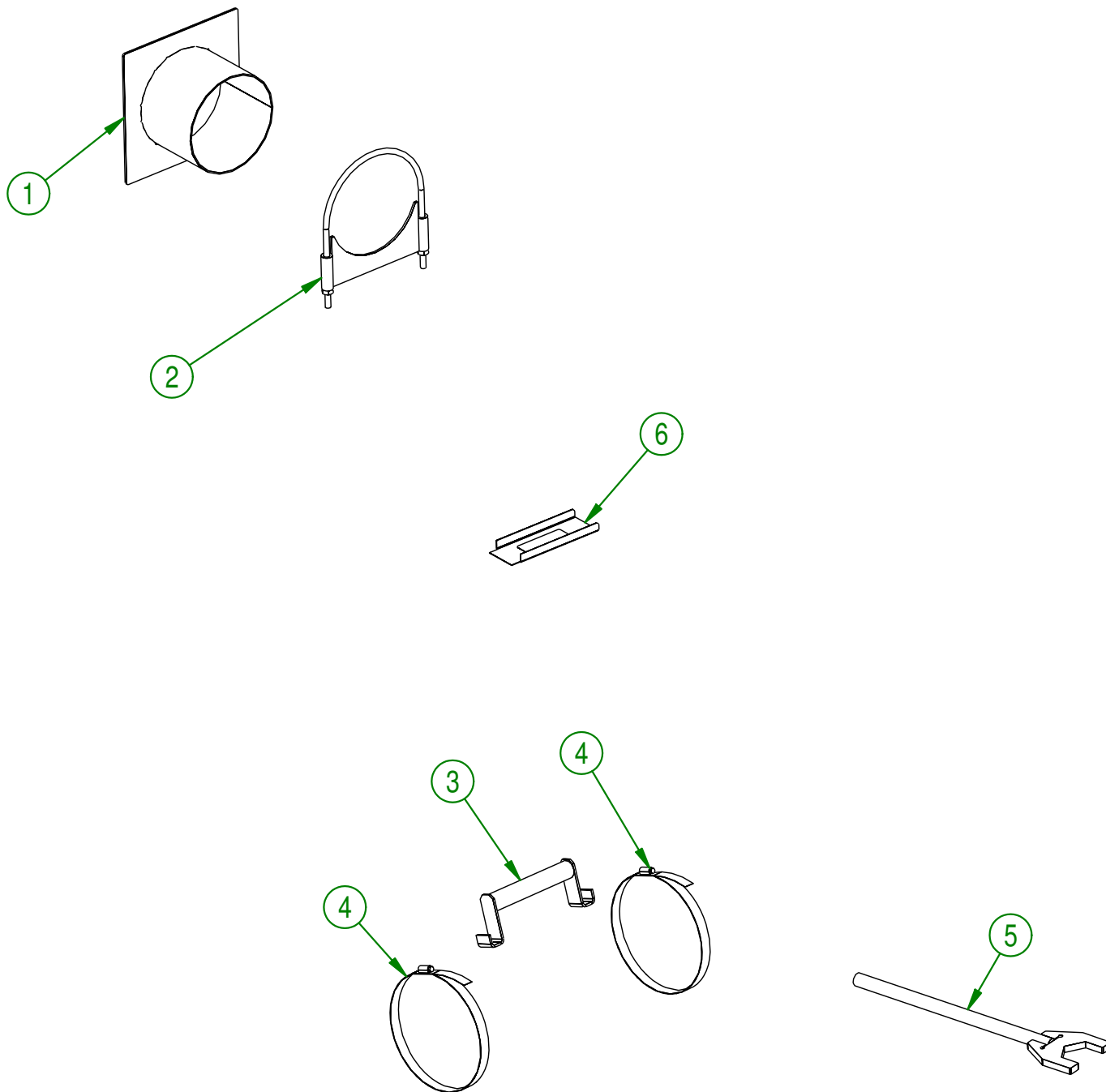
CREATION : 06/09/18  
 REVISION : 12/09/18

ASSEMBLY : **03-57-0505**

AUTHOR : F.HÉLIE Page 21 de 26

#	PART #	Qty	TITLE
1	01-57-0056	1	ROUND TUB "STICKER INCLUDED"
2	01-38-0016	4	PLASTIC WHEEL
3	01-01-2415	3	TUBE BEARING GUARD
4	03-01-7515	3	WASHER
5	01-01-0925	3	WASHER
6	01-09-0105	4	WHEELS BUSHING
7	NC01-17-0255	4	HEX. BOLT GR2 ZINC 1/2-13 X 3"
8	NC02-25-0011	11	WASHER SAE ZINC 17/32 ID
9	NC02-32-0014	4	LOCK WASHER ZINC 1/2"
10	NC02-07-0020	4	HEX. NUT ZINC 1/2-13
11	01-57-0079	1	SPEED REDUCER BOX "STICKER INCLUDED"
12	01-50-0045	1	BELT TIGHTENER
13	01-01-2485	15	FLAT WASHER 14 GA X 13/16"OD X 25/64" ID
14	NC02-32-0012	5	LOCK WASHER ZINC 3/8"
15	NC01-96-0011	4	NYLON NUT 3/8-16
16	NC01-17-0117	2	HEX. BOLT GR2 ZINC 3/8-16 X 1 3/4"
17	NC14-10-0012	1	SPEED REDUCER BH40-L 10:1
18	NC14-62-0027	1	PULLEY MA 25 X Ø5/8" KW 3/16" 2SS
19	03-39-0005	1	SPECIAL PULLEY MA40 Ø 1/2"
20	NC01-45-0184	4	HEX. BOLT GR8.8 ZINC 8MM X 20MM
21	NC02-32-0011	8	LOCK WASHER ZINC 5/16"
22	NC02-22-0008	12	WASHER ZINC 5/16"
23	01-09-0000	3	BEARING RACE (UCFL205-16)
24	NC01-15-0118	1	HEX BOLT GR2 3/8-16 X 2" LG.
25	01-41-0055	1	TURNBUCKLE 5/16-18
26	01-09-0005	2	BUSHING
27	NC02-01-0003	1	HEX NUT (THIN) 3/8-16
28	NC17-46-0018	1	HANDLE KNOB
29	NC01-17-0119	1	HEX. BOLT GR2 ZINC 3/8-16 X 2 1/4"
30	NC02-07-0018	3	HEX. NUT ZINC 3/8-16
31	NC01-17-0115	1	HEX. BOLT GR2 ZINC 3/8-16 X 1 1/4"
32	01-50-0050	1	TUB ARM CONTROL
33	01-39-0600	1	IDLER PULLEY PI-300 ASSY
34	01-09-0100	1	BUSHING
35	01-01-1660	1	WASHER SPACER
36	NC01-96-0014	1	NYLON-INSERT LOCKNUT ZINC 1/2-13
37	NC01-17-0060	2	HEX. BOLT GR2 ZINC 5/16-18 X 1"
38	NC01-17-0068	2	HEX. BOLT GR2 NC ZINC 5/16-18 X 3"
39	NC02-07-0017	4	HEX. NUT 5/16-18
40	NC01-17-0126	1	HEX. BOLT GR2 NC ZINC 3/8-16 X4
41	01-11-2500	1	BUSHING Ø5/8" X 14GA X 2 3/4" LG.
42	NC14-25-0083	1	BELT 1/2" 4L270 (A-25)
43	NC14-25-0328	1	V BELT 1/2" (A-105)
44	NC14-62-0031	1	PULLEY MA30 X Ø1" KW 1/4" 2SS 5/16-18
45	03-41-0010	1	SQUARE KEY 1/4" X 1/4" X 4" LG.

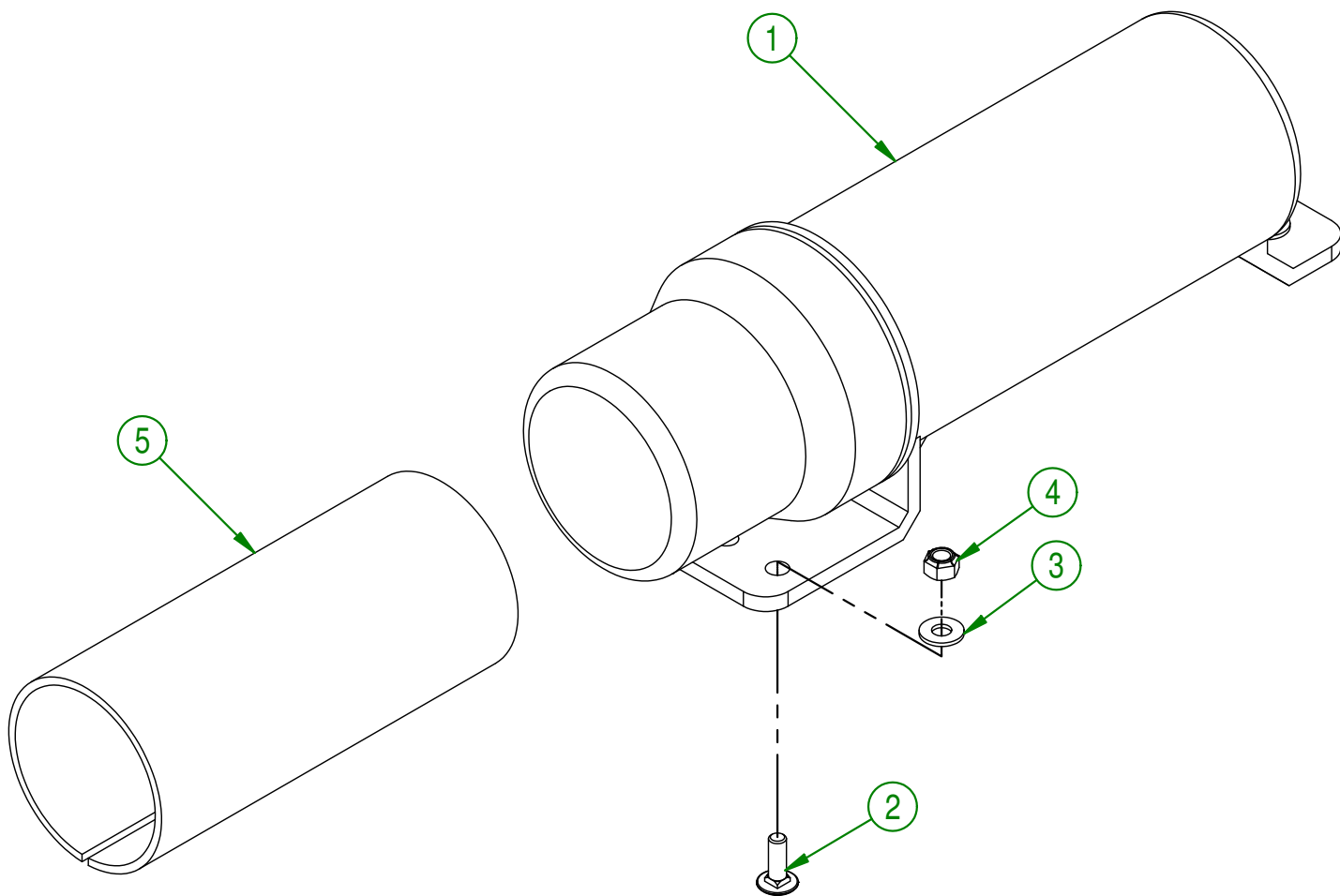
#	PART #	Qty	TITLE
1	03-50-0090	1	OUTLET QUICK DISCONNECT
2	03-55-0020	1	COLLAR COMPL.
3	03-50-0070	1	FLEXIBLE HOSE HANDLE
4	03-41-0100	2	HOSE CLAMP (HAS 116) Ø7 3/4"
5	01-50-0100	1	ROTOR WRENCH
6	01-55-0030	1	DRAIN OIL SLAB "STICKER INCLUDED"



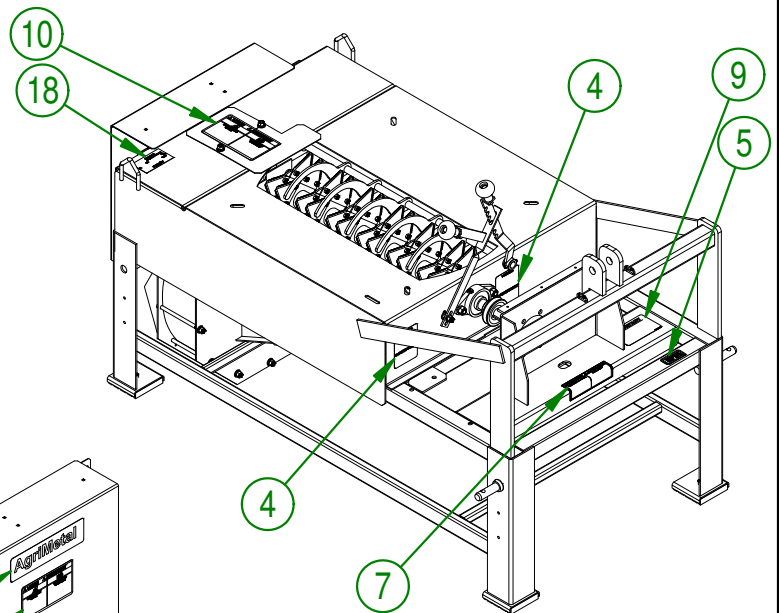
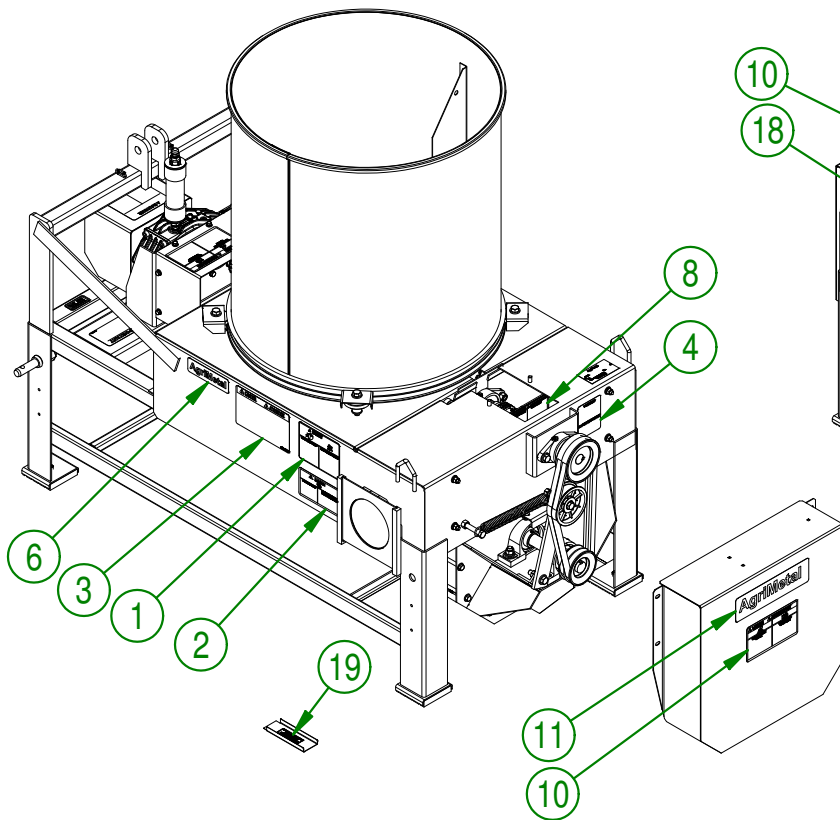
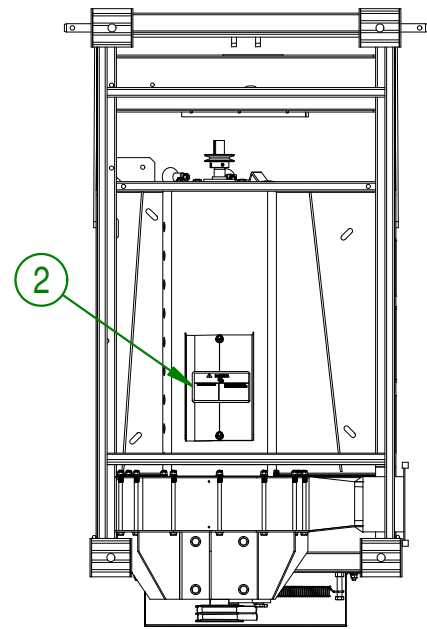
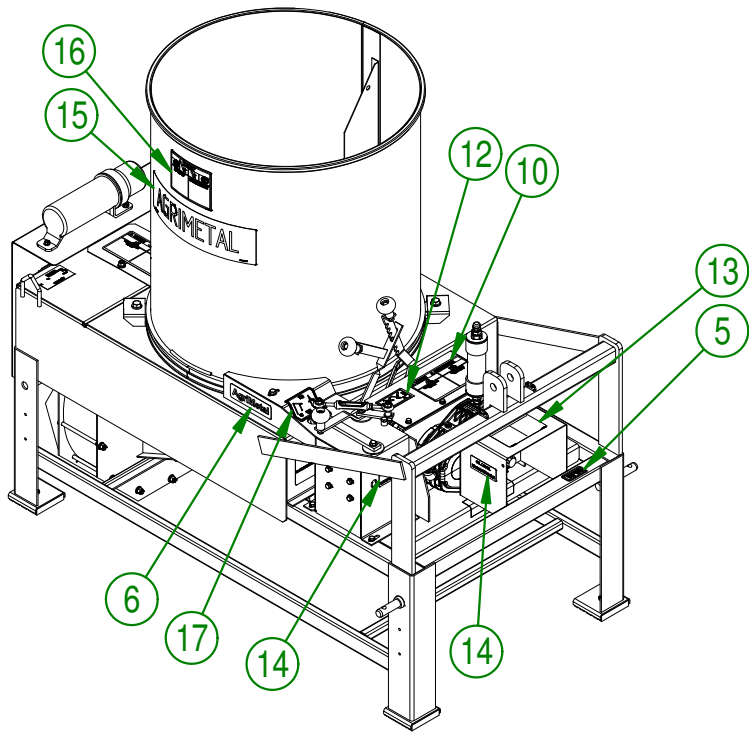
<b>AGRIMETAL</b>	
<b>ACCESSORIES GROUP</b>	
CREATION : 04/09/18	ASSEMBLY : <b>03-57-0520</b>
REVISION : 24/09/18	AUTHOR : F.HÉLIE   Page 23 de 26



#	PART #	Qty	TITLE
1	NCI3-30-0237	1	PLASTIC TUBE FOR OPERATOR'S MANUAL
2	NC01-04-0003	3	CARR. BOLT GR2 ZINC 1/4-20 X 3/4"
3	NC02-25-0007	3	WASHER ZINC 0.281 = 9/32
4	NC01-96-0009	3	NYLON-INSERT LOCKNUT ZINC 1/4-20
5	03-98-0026	1	OPER.MANUAL LANSCKING BALE (ENGLISH)



<b>AGRIMETAL</b>	
OPER.MANUAL GROUP (ENGLISH)	
CREATION : 04/09/18	ASSEMBLY : <b>03-57-3000</b>
REVISION : 04/09/18	AUTHOR : F.HÉLIE Page 24 de 26



<b>AGRIMETAL</b>	
<b>STRAW MULCHERS (PTO-LS)</b>	
CREATION : 07/09/18	ASSEMBLY : <b>03-99-0500</b>
REVISION : 24/09/18	AUTHOR : F.HÉLIE Page 25 de 26

#	PART #	QTY	TITLE
1	NC13-33-0110	1	STICKER DANGER
2	NC13-33-0112	2	STICKER DANGER
3	NC13-33-0108	1	STICKER CAUTION
4	NC13-33-0009	3	SITCKER WARNING
5	NC13-33-0005	1	STICKER MAXIMUM 540 RPM
6	NC13-33-0002	2	STICKER AGRIMETAL
7	NC13-33-0113	1	STICKER WARNING
8	NC13-33-0113	1	STICKER WARNING
9	NC13-33-0179	1	STICKER IMPORTANT GREASE DRIVE LINE
10	NC13-33-0018	3	STICKER WARNING
11	NC13-33-0035	1	STICKER AGRIMETAL
12	NC13-33-0014	1	STICKER GRATE OFF ON
13	NC13-33-0020	1	STICKER DANGER
14	NC13-33-0003	2	STICKER OIL LEVEL
15	NC13-33-0001	1	STICKER AGRIMETAL
16	NC13-33-0127	1	STICKER DANGER TUB ROTOR HAZARD
17	NC13-33-0013	1	STICKER TUB OFF/ON
18	25-55-0710	1	SERIAL NUMBER PLATE
19	NC13-33-0023	1	STICKER OIL DRAIN EXTENSION

**AGRIMETAL**

**STRAW MULCHERS (PTO-LS)**

CREATION : 07/09/18  
REVISION : 24/09/18

ASSEMBLY : **03-99-0500**

AUTHOR : F.HÉLIE Page 26 de 26