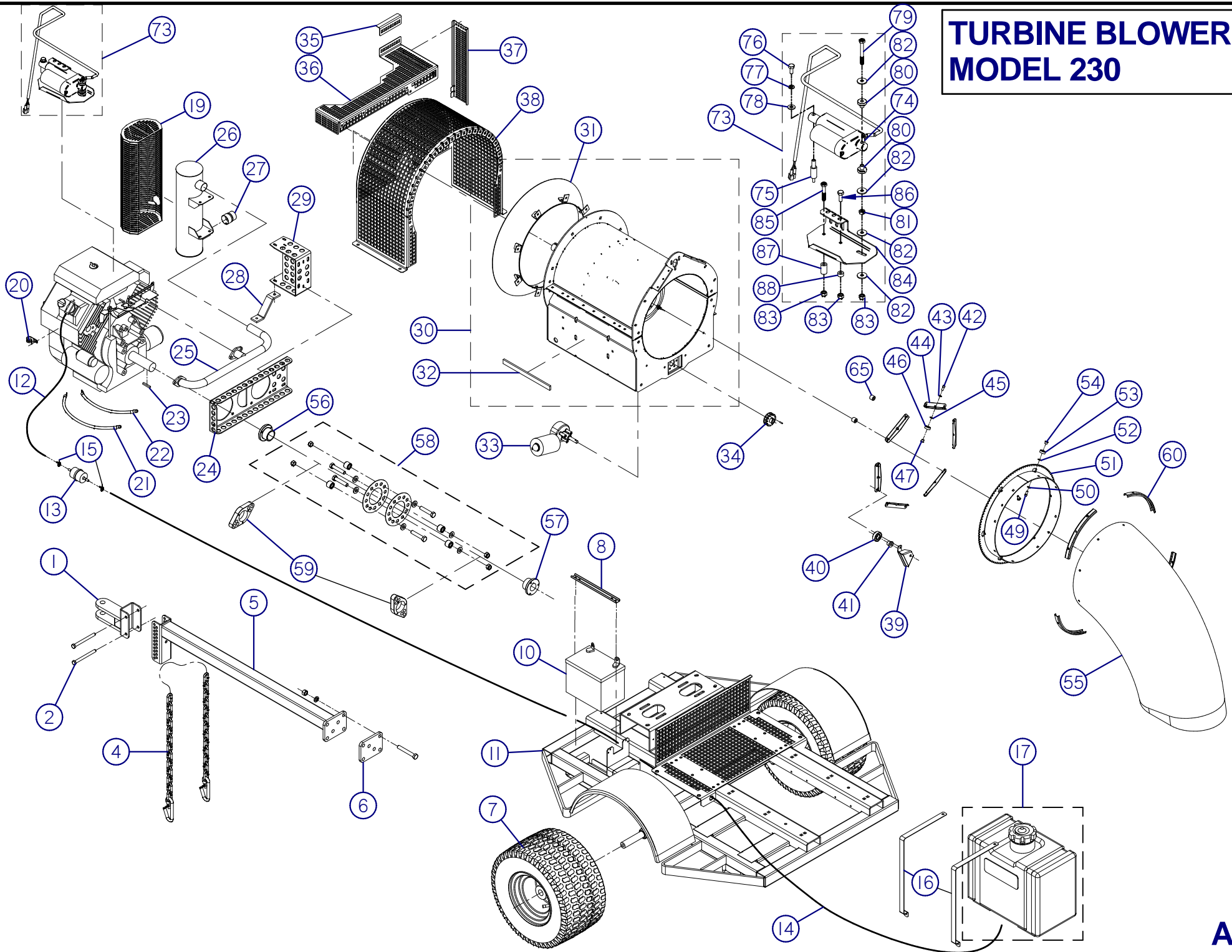


# TURBINE BLOWER MODEL 230



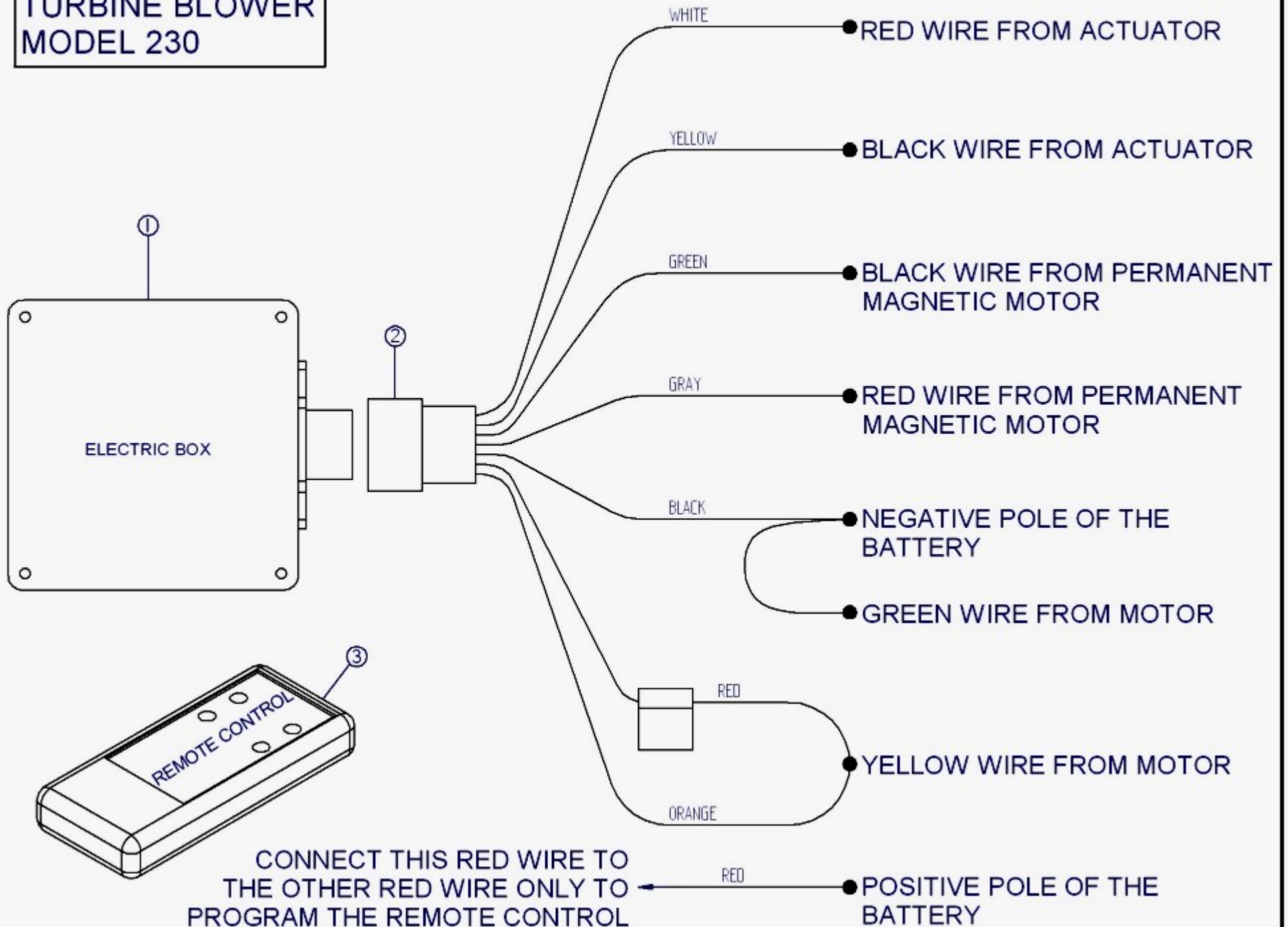
## TURBINE BLOWER (MOD:TB-230)

REF.	PART NO.	DESCRIPTION	QTE
1	33-50-0055	HITCH	1
2	NC01-25-0126	HEX. BOLT GR5 NC ZINC 3/8-16 X 4	2
N/I	01-01-2485	FLAT WASHER 13/16" Dia. X Ø 25/64" X 14GA	4
N/I	NC02-32-0012	LOCK WASHER Ø 3/8"	2
N/I	NC02-07-0018	HEX.NUT 3/8"-16	2
4	NC13-80-0228	SAFETY CHAIN	1
5	33-50-0010	DRAW BAR (TB-230)	1
6	NC17-19-0086	DRAW BAR PLATE	1
7	NC14-70-0317	18" Dia. WHEEL ASSY.	2
N/I	NC14-70-0319	TIRE ONLY 18 X 9.50-8	2
N/I	NC14-70-0320	RIM	2
N/I	NC14-70-0322	VALVE	2
N/I	NC14-75-0070	BALL BEARING 6205-2RS X Ø 1"	4
N/I	33-21-0065	RING WHEEL 1 1/2" DIA. X 1.003 X 0.725" LG	2
N/I	NC14-70-0309	BEFORE -07/10 #00000- TAPERED ROLLER BEARING L44649 X Ø 1 1/16"	4
8	33-01-3015	BATTERY HOLDER	1
10	NC13-12-0001	BATTERY (12 VOLTS)	1
N/I	NC13-80-0267	STRAIGHT TERMINAL PROTECTOR BOOT (RED)	1
N/I	NC13-80-0268	STRAIGHT TERMINAL PROTECTOR BOOT (BLACK)	1
11	33-57-0000	FRAME "STICKER INCLUDED"	1
12	33-46-0530	BEFORE -06/11 #30765- GAS HOSE 1/2" DIA. X 1/4" D.I. X 57" LG	1
N/I	33-46-0527	AFTER -06/11 #30765- GAS HOSE 1/2" DIA. X 1/4" D.I. X 16" LG	1
13	NC13-37-0604	GAS LINE FILTER	1
14	33-46-0526	BEFORE -06/11 #30765- GAS HOSE 1/2" DIA. X 1/4" D.I. X 9 1/2" LG	1
N/I	33-46-0532	AFTER -06/11 #30765- GAS HOSE 1/2" DIA. X 1/4" D.I. X 37" LG	1
15	NC01-65-0201	SPRING-GRIP HOSE CLAMPS 1/2" O.D.	2
16	33-01-3045	GAS TANK HOLDER	2
17	NC13-80-0248	GAS TANK ASSY.	1
N/I	NC13-65-0045	90° ELBOW	1
N/I	NC13-65-0046	90° RUBBER SEAL	1
N/I	NC13-80-0247	GAZ TANK CAP	1
19	22-50-1000	MUFFLER GUARD	1
20	NC13-25-0110	GAS HOSE PROTECTOR CLAMPS	1
21	33-55-0005	POSITIVE CABLE (9" LG)	1
22	33-55-0010	NEGATIVE CABLE (12" LG)	1
23	33-41-0905	SQUARE KEY 5/16" X 3/8" X 1 1/4" LG	1
24	33-01-0900	MUFFLER SUPPORT	1
25	33-35-3500	EXHAUST PIPE (KOHLEK)	1
26	22-50-1005	MUFFLER	1
27	NC13-37-0510	SPARK ARRESTOR FOR 23 HP KAWASAKI	1
28	33-05-1000	MUFFLER SUPPORT	1
29	33-50-0020	MUFFLER SUPPORT	1
30	33-57-0080	TURBINE KIT (NEW)	1
31	33-55-0085	AIR INTAKE (ALUMINUM)	1
32	33-42-0201	FOAM SEAL 3/4" X 1 1/2" X 10" LG	1
33	33-55-0045	ELECTRIC MOTOR 12 VOLTS ASSY.	1
34	33-55-0035	COLECTOR SPROCKET	1
N/I	NC02-50-0069	ALLEN SET SCREWS 8-32 X 1" LG	1
N/I	NC01-96-0004	NYLON INSERT LOCKNUTS 8-32	1
35	33-01-3023	MANIFOLD GUARD EXTENTION	1
36	33-01-3020	MANIFOLD GUARD	1
37	33-01-3025	MANIFOLD GUARD EXTENTION	1
38	33-50-0035	GUARD	1
39	33-50-0555	BEARING HOLDER	3
40	NC14-75-0068	BEARING #99502H	3

## TURBINE BLOWER (MOD:TB-230)

REF.	PART NO.	DESCRIPTION	QTE
41	33-21-0060	BUSHING 0.830" DIA. X .545" LG (ALUMINUM)	3
42	NC02-51-0578	ALLEN SET SCREWS 1/4"-28 X 1/2" LG (STAINLESS)	6
43	NC02-32-0010	LOCK WASHER Ø 1/4"	6
44	33-01-2425	COLECTOR BEARING HOLDER	6
45	33-22-4605	BEARING SHIM Ø1/4" (ALUMINUM)	6
46	NC14-75-0153	BEARING R6 2RS	6
47	33-25-2410	COLECTOR BEARING BUSHING	6
49	NC02-51-0578	ALLEN SET SCREWS 1/4"-28 X 1/2" LG (STAINLESS)	6
50	NC02-32-0010	LOCK WASHER Ø 1/4"	6
51	33-50-0015	DUCT COLECTOR	1
52	33-22-4605	BEARING SHIM Ø1/4" (ALUMINUM)	6
53	NC14-75-0153	BEARING R6 2RS	6
54	33-25-2410	COLECTOR BEARING BUSHING	6
55	33-42-0005	DUCT (90°)	1
56	NC14-62-0211	TAPERED QD BUSHING SH Ø 1 7/16"	1
57	NC14-62-0016	TAPERED QD BUSHING SH Ø 1 1/4" K.W. 1/4"	1
58	33-57-0047	COUPLING ASSY.	1
59	33-04-1600	COUPLING FLANGE	2
60	33-01-2480	DUCT CLAMP	4
N/I	NC13-15-0082	RUBBER BASE MOUNT	4
61	33-57-0101	ACTUATOR (12 VOLTS) & ACTUATOR SUPPORT KIT ASSY.	1
62	22-57-0615	GAS CABLE & GAS CABLE ADJUSTABLE SCREW KIT ASSY.	1
63	NC01-84-0100	GAS CABLE ADJUSTABLE SCREW	1
64	26-21-0087	RETAINING CABLE BUSHING FOR ACTUATOR	1
65	NC01-69-0377	SPRING PIN 1/8" X 3/4" LG	12
66	33-46-0533	HOSE FOR GAS VAPOR 1/2" DIA. X 1/4" D.I. X 10" LG	1
67	NC13-65-0061	FITTING 1/4" OD X 1/4"NPT MALE	1
68	NC13-65-0062	FITTING 3/16" OD X 1/4"NPT FEMALE	1
69	33-46-0534	HOSE FOR GAS VAPOR 7/16" DIA. X 3/16" D.I. X 71" LG	1
70	33-46-0531	HOSE FOR GAS VAPOR 1/2" DIA. X 1/4" D.I. X 13" LG	1
71	33-01-3210	ANTIPOLLUTION SUPPORT	1
72	NC01-65-0065	COLLAR (HAS44)	2
73	33-57-0101	ACTUATOR (12 VOLTS) & ACTUATOR SUPPORT KIT ASSY.	1
74	33-55-0100	ACTUATOR 12VOLTS	1
75	33-13-0605	ACTUATOR ROD	1
76	NC01-37-0003	HEX.BOLT GR8 1/4-28 X 5/8"	1
77	NC02-32-0010	LOCK WASHER ZINC Ø 1/4"	1
78	NC02-25-0007	WASHER ZINC 0.281 = 9/32"	1
79	NC01-37-0011	HEX.BOLT GR8 1/4-28 X 2 1/4"	1
80	33-42-0120	PIVOT BUSHING	2
81	NC02-14-1200	TWO WAY LOCK NUT 1/4-28	1
82	36-01-2430	WASHER	4
83	NC01-97-0004	NYLON INSERT LOCKNUTS 1/4-28	3
84	33-22-1810	ACTUATOR SUPPORT	1
85	NC01-37-0008	HEX.BOLT GR8 1/4-28 X 1 1/2"	1
86	NC01-37-0004	HEX.BOLT GR2 ZINC 1/4-28 X 3/4"	1
87	33-21-0070	ACTUATOR SUPPORT BUSHING	1
88	33-21-0075	ACTUATOR SUPPORT BUSHING	1

# TURBINE BLOWER MODEL 230



**TURBINE BLOWER (MOD:TB-230)**

<b>REF.</b>	<b>PART NO.</b>	<b>DESCRIPTION</b>	<b>QTE</b>
1	NC13-25-0353	ELECTRIC BOX	1
2	NC13-25-0356	COMPLETELY WIRING KIT	1
3	33-57-0075	REMOTE CONTROL	1
4	NC13-25-0277	FUSE (15 AMPERE)	1

## STICKER TURBINE BLOWER (MOD:TB-230)

REF.	PART NO.	DESCRIPTION	QTE
N/I	33-58-0000	STICKER KIT (TB-230)	1
N/I	06-60-0000	STICKER AGRIMÉTAL INC "MEDIUM"	2
N/I	NC13-33-0052	STICKER FRAME LEVEL	2
N/I	NC13-33-0108	STICKER CAUTION / READ OPERATOR'S MANUAL BEFORE STARTING...	1
N/I	NC13-33-0109	STICKER DANGER FIRE HAZARD NO SMOKING	1
N/I	NC13-33-0110	STICKER DANGER THROWN OBJECT HAZARD...	2
N/I	NC13-33-0178	STICKER IMPORTANT CHECK OIL LEVEL BEFORE EACH...	1
N/I	NC13-33-0227	STICKER FUSE 15 AMP. MAXIMUM	1