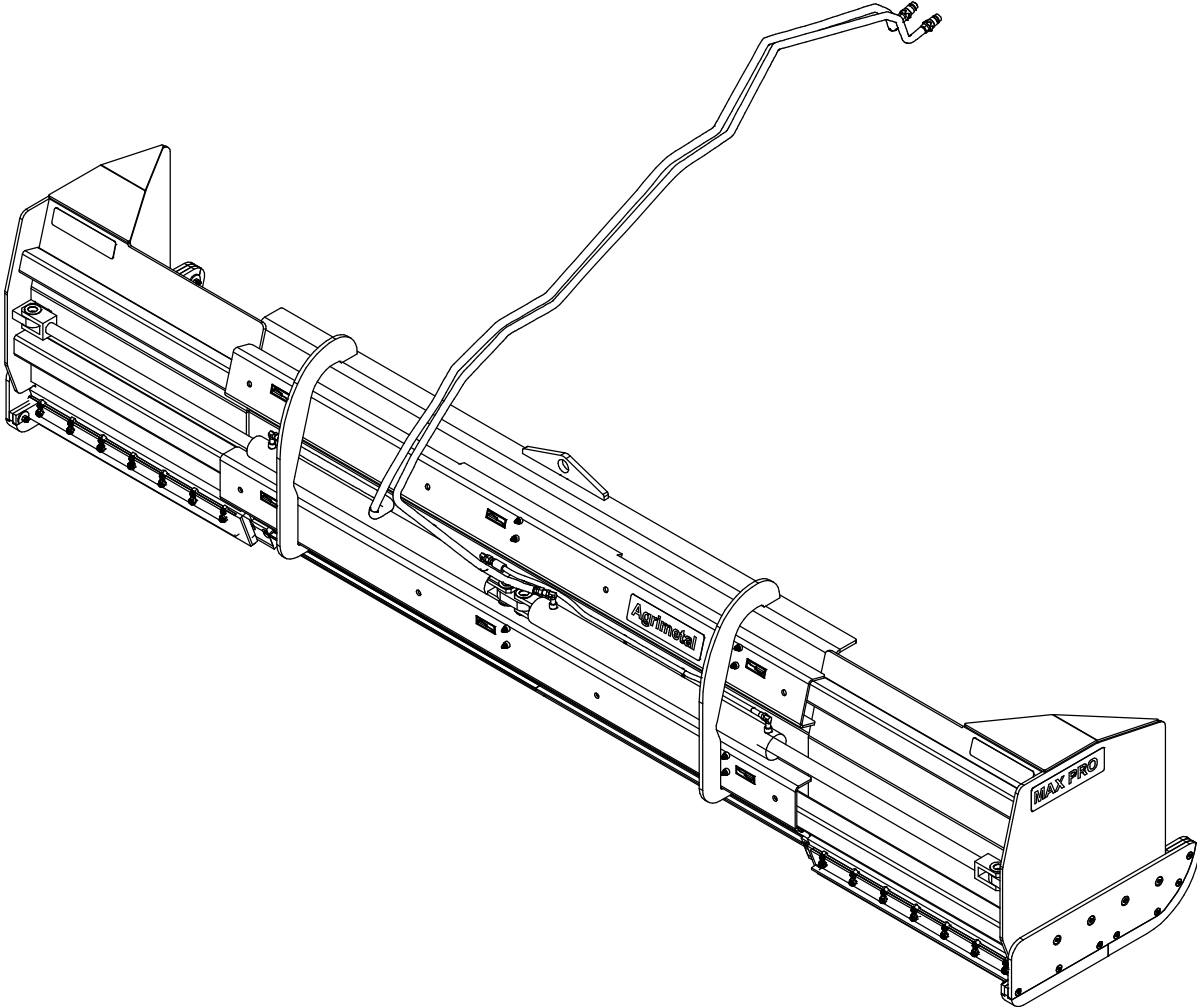


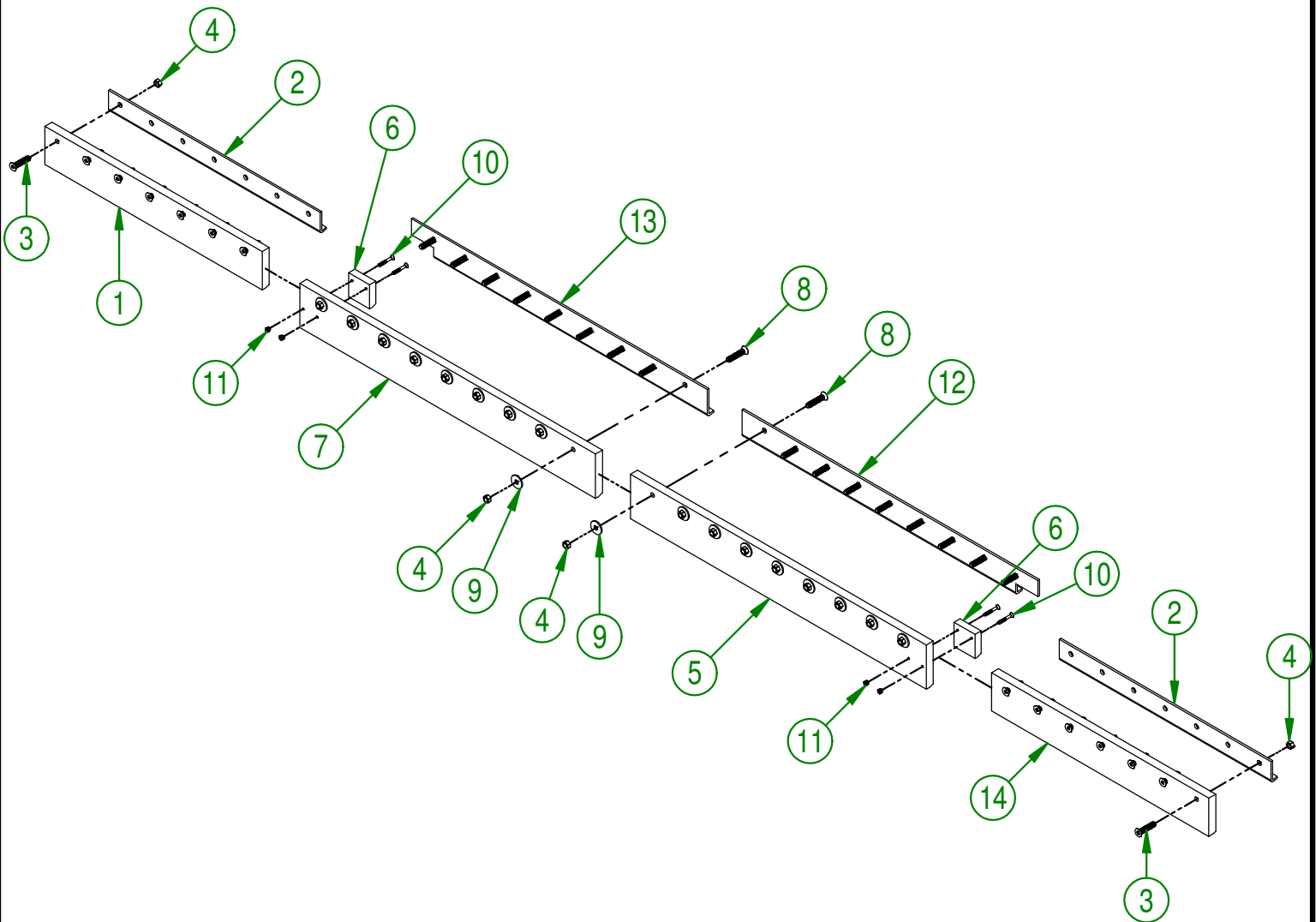
AgriMetal

PARTS LIST



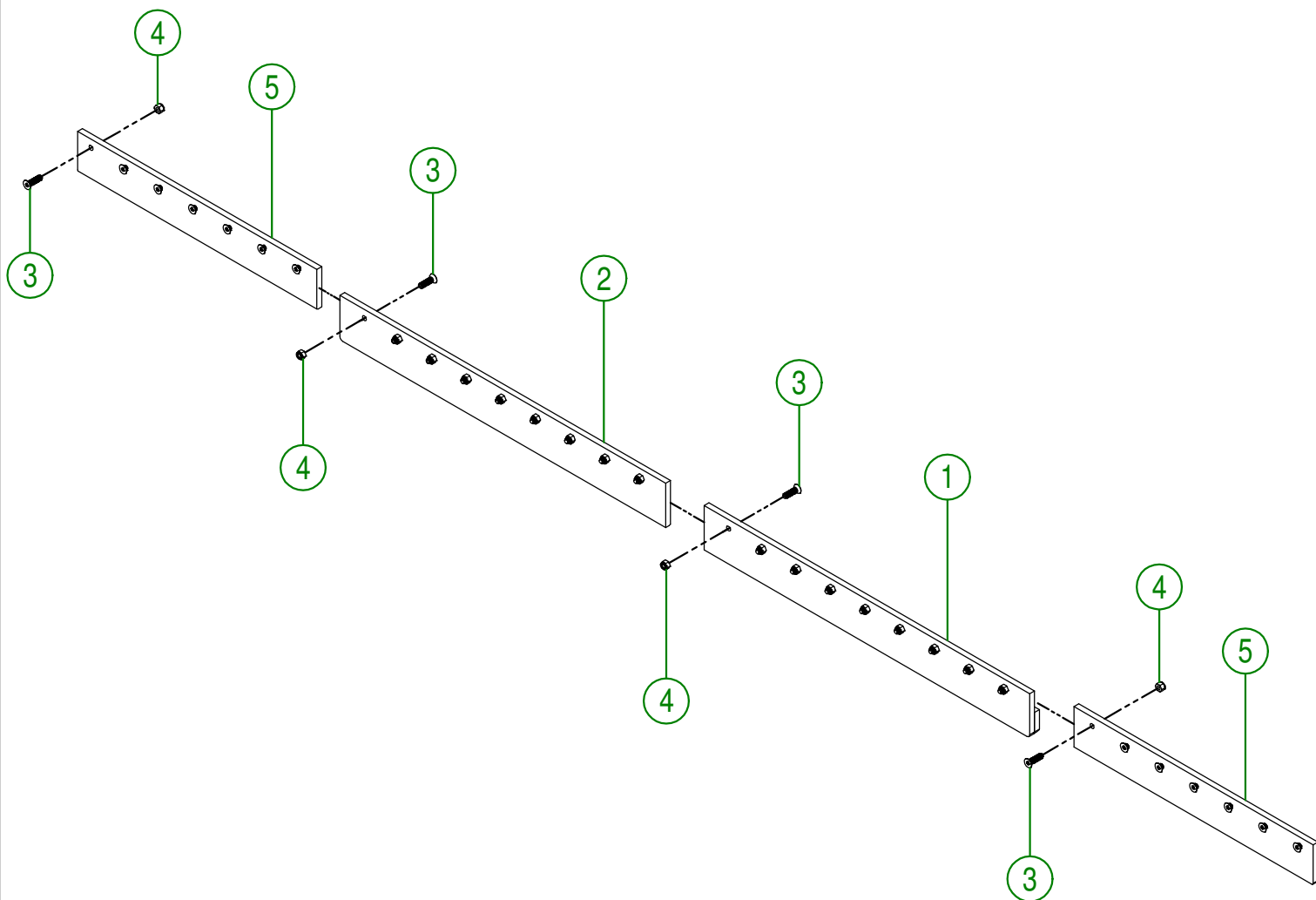
MAX-PRO 7-12 (SKID-STEER)

#	PART #	Qty	TITLE
1	91-42-0146	1	OUTSIDE KNIFE LEFT (UHMW)
2	91-04-0245	2	KNIFE BRACE
3	NC02-48-0549	14	STAINLESS FLAT HEAD SOCKET CAP SCREW 1/2-13 X 2 1/4"
4	NC01-96-0014	32	NYLON-INSERT LOCKNUT ZINC 1/2-13
5	91-42-0132	1	RIGHT CENTER KNIFE (UHMW)
6	91-42-0120	2	SNOW GUARD
7	91-42-0130	1	LEFT CENTER KNIFE (UHMW)
8	NC02-48-0550	18	FLAT HEAD SOCKET CAP SCREW STAINLESS 1/2-13 X 2 1/2"
9	91-20-0150	18	WASHER
10	NC02-48-0582	4	FLAT HEAD SOCKET CAP SCREW STAINLESS 1/4-20 X 2"
11	NC01-96-0009	4	NYLON-INSERT LOCKNUT ZINC 1/4-20
12	91-04-0241	1	KNIFE BRACE (RIGHT)
13	91-04-0244	1	KNIFE BRACE (LEFT)
14	91-42-0148	1	OUTSIDE KNIFE RIGHT (UHMW)



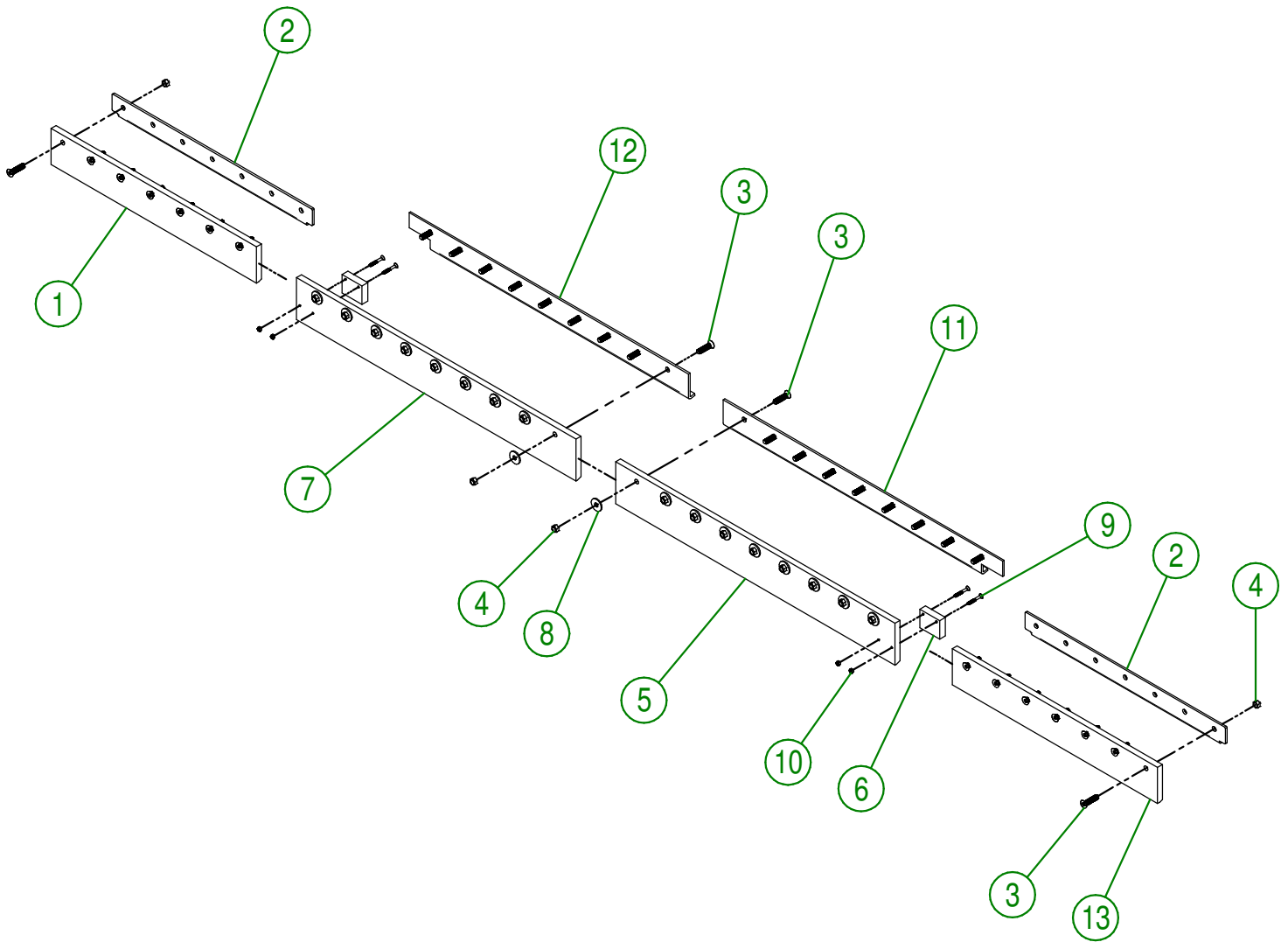
AGRIMETAL	
UHMW KNIFE GROUP	
CREATION : 15/07/16	ASSEMBLY : 91-57-0205
REVISION : 09/11/18	AUTHOR : JA. H Page 1 de 8

#	PART #	Qty	TITLE
1	91-50-0051	1	RIGHT CENTER KNIFE
2	91-50-0056	1	LEFT CENTER KNIFE
3	NC02-48-0547	32	FLAT HEAD SOCKET CAP SCREW STAINLESS 1/2-13 X 1 3/4
4	NC01-96-0014	32	NYLON INSERT LOCKNUT 1/2-13"
5	91-20-0387	2	RIGHT & LEFT KNIFE



AGRIMETAL	
QT KNIFE GROUP	
CREATION : 29/12/17	ASSEMBLY : 91-57-0200
REVISION : 29/12/17	AUTHOR : Production Page 2 de 8

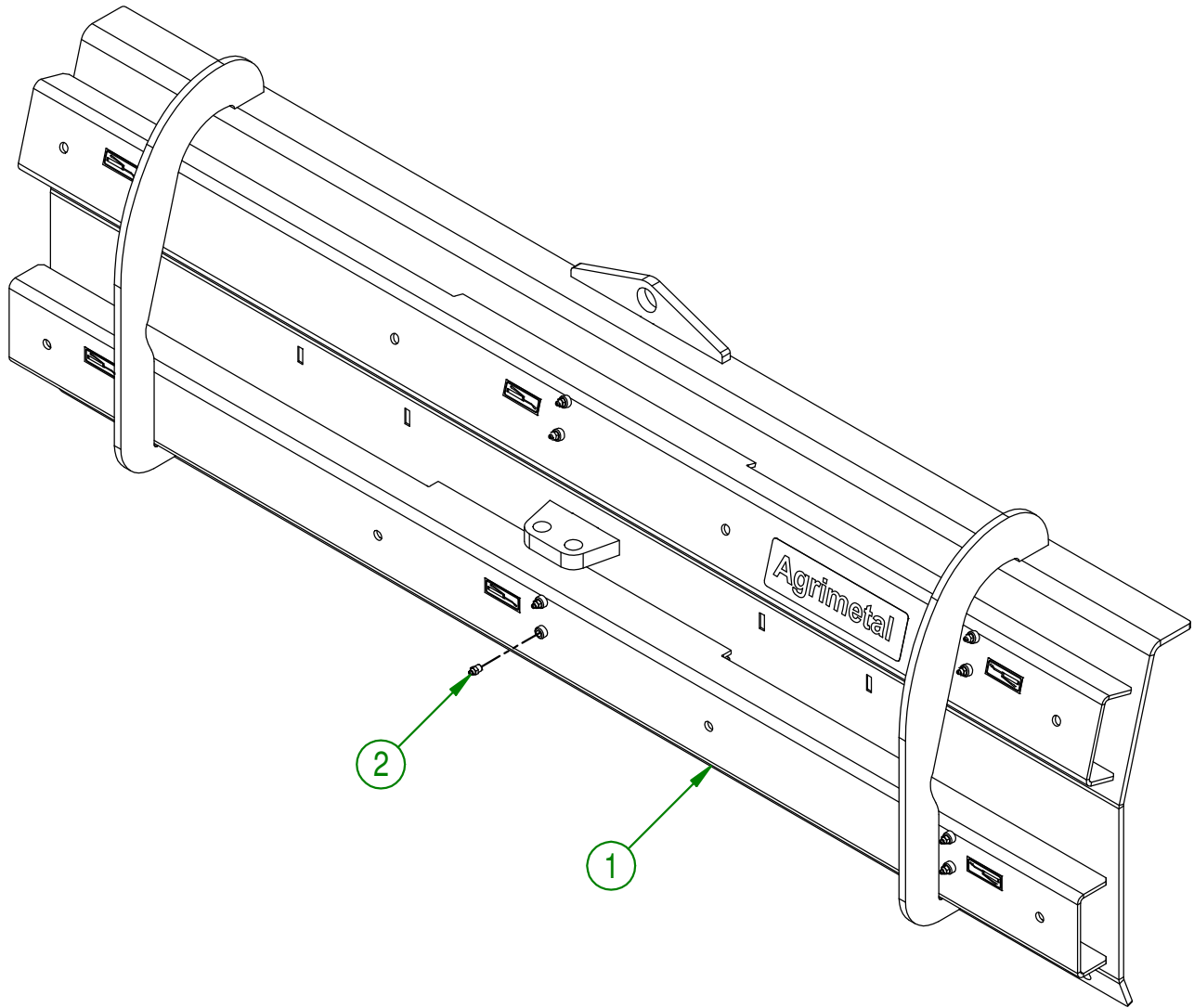
#	PART #	Qty	TITLE
1	91-42-0013	1	RUBBER KNIFE (OUTSIDE LEFT)
2	91-04-0246	2	KNIFE BRACE (OUTSIDE)
3	NC02-48-0548	32	FLAT HEAD SOCKET CAP SCREW STAINLESS 1/2-13 X 2"
4	NC01-96-0014	32	NYLON-INSERT LOCKNUT ZINC 1/2-13
5	91-42-0003	1	RUBBER KNIFE (INSIDE RIGHT)
6	91-42-0121	2	SNOW GUARD
7	91-42-0000	1	RUBBER KNIFE (INSIDE LEFT)
8	91-20-0150	18	WASHER
9	NC02-48-0582	4	FLAT HEAD SOCKET CAP SCREW STAINLESS 1/4-20 X 2"
10	NC01-96-0009	4	NYLON-INSERT LOCKNUT ZINC 1/4-20
11	91-04-0241	1	KNIFE BRACE (RIGHT)
12	91-04-0244	1	KNIFE BRACE (LEFT)
13	91-42-0010	1	RUBBER KNIFE (OUTSIDE RIGHT)



AGRIMETAL	
RUBBER KNIFE GROUP	
CREATION : 10/05/17	ASSEMBLY : 91-57-0195
REVISION : 05/02/21	AUTHOR : J. Houle

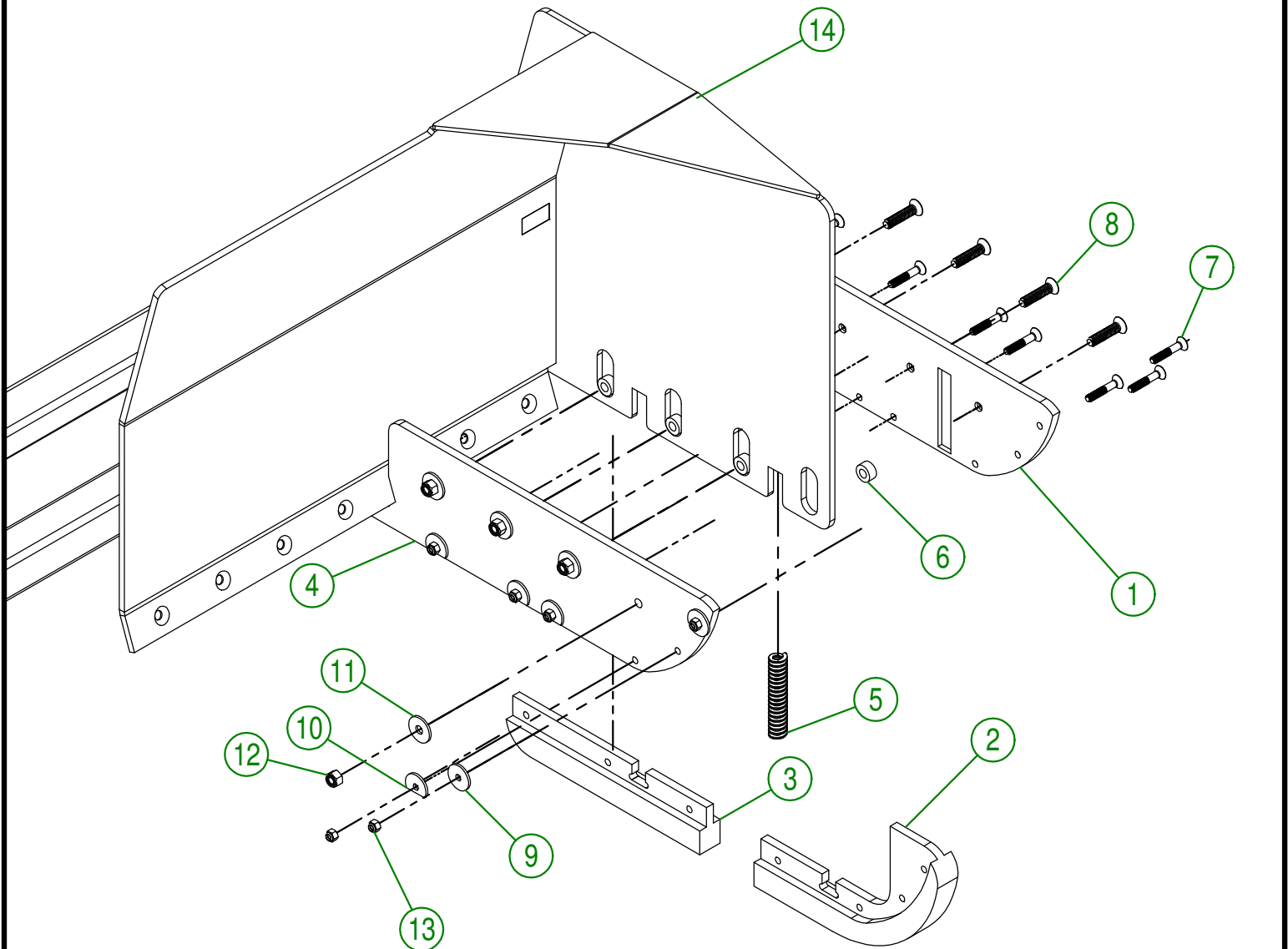
91-57-1040

#	PART #	Qty	TITLE
1	91-57-1130	1	CENTRAL SNOW BLADE GROUP 7-12 (SKID-STEER) "STICKER INCLUDED"
2	NC01-69-0791	12	GREASE FITTING 1/8 NPT STRAIGHT



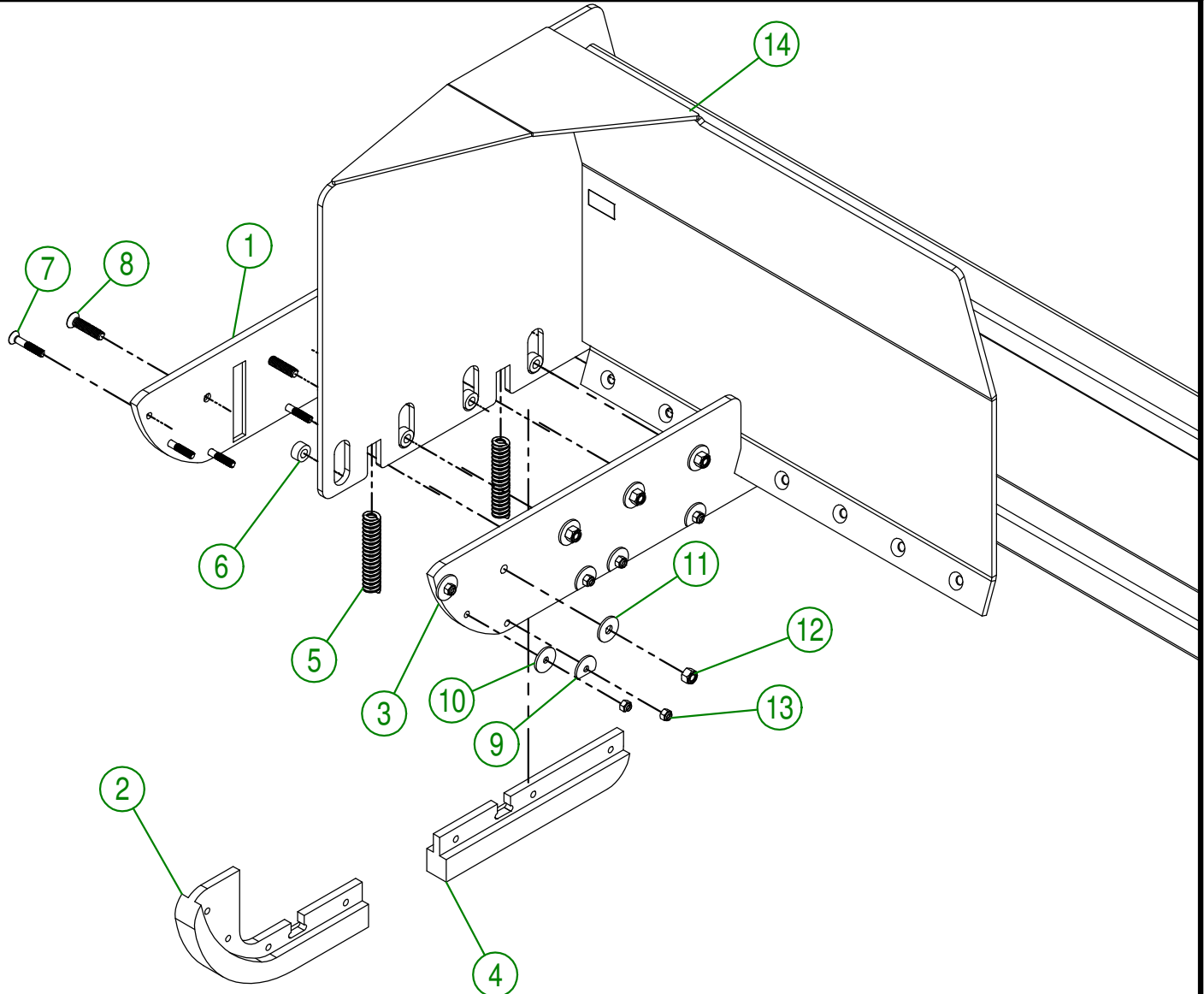
AGRIMETAL	
CENTRAL BLADE WITHOUT KNIFE ASSY. (7-12) SKID-STEER	
CREATION : 07/08/18	ASSEMBLY : 91-57-1040
REVISION : 07/08/18	AUTHOR : J.KABWE
	Page 4 de 8

#	PART #	Qty	TITLE
1	91-42-0144	1	FLOATING SKATE (RIGHT OUTSIDE)
2	NC13-15-0325	1	FLOATING SKATE (MIDDLE FRONT)
3	NC13-15-0323	1	FLOATING SKATE (MIDDLE BACK)
4	91-42-0142	1	FLOATING SKATE (RIGHT INSIDE)
5	NC13-86-0052	2	SPRING 1/2" ID X 1" OD X 5" LG
6	91-09-0000	4	BUSHING
7	NC02-48-0537	7	STAINLESS FLAT HEAD SOCKET CAP SCREW 3/8-16 X 2 1/4"
8	NC02-48-0549	4	STAINLESS FLAT HEAD SOCKET CAP SCREW 1/2-13 X 2 1/4"
9	91-20-0163	2	WASHER
10	91-20-0160	5	WASHER
11	91-20-0150	4	WASHER
12	NC01-96-0014	4	NYLON INSERT LOCKNUT 1/2-13"
13	NC01-96-0011	7	NYLON NUT 3/8-16
14	91-57-0140	1	RIGHT BLADE



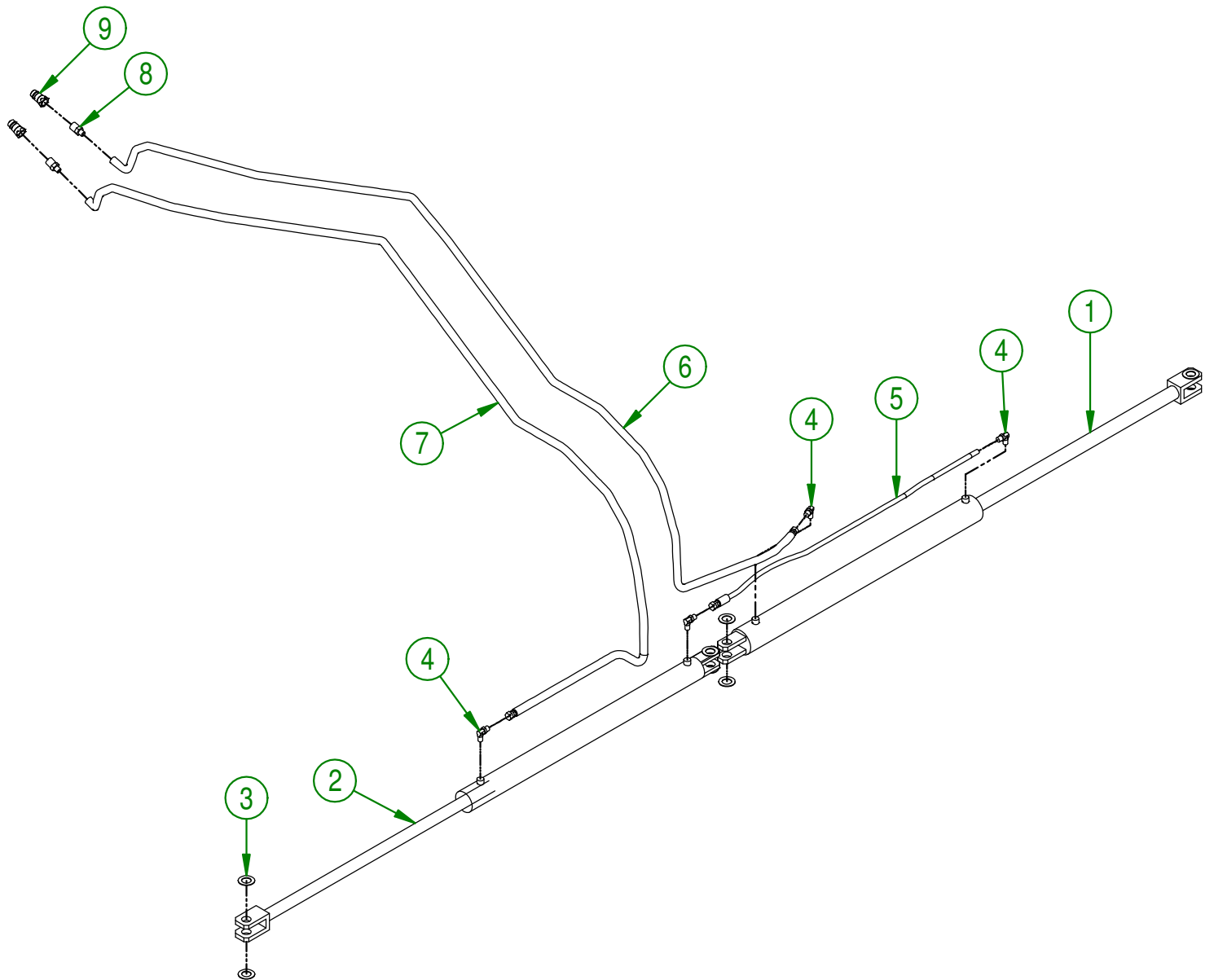
AGRIMETAL	
RIGHT BLADE	
CREATION : 15/07/16	ASSEMBLY : 91-57-0045
REVISION : 15/11/18	AUTHOR : JA. H Page 5 de 8

#	PART #	Qty	TITLE
1	91-42-0140	1	FLOATING SKATE (LEFT EXT.)
2	NC13-15-0325	1	FLOATING SKATE (MIDDLE FRONT)
3	91-42-0136	1	FLOATING SKATE (LEFT INT.)
4	NC13-15-0323	1	FLOATING SKATE (MIDDLE BACK)
5	NC13-86-0052	2	SPRING 1/2" ID X 1" OD X 5" LG
6	91-09-0000	4	BUSHING
7	NC02-48-0537	7	STAINLESS FLAT HEAD SOCKET CAP SCREW 3/8-16 X 2 1/4"
8	NC02-48-0549	4	STAINLESS FLAT HEAD SOCKET CAP SCREW 1/2-13 X 2 1/4"
9	91-20-0160	5	WASHER
10	91-20-0163	2	WASHER
11	91-20-0150	4	WASHER
12	NC01-96-0014	4	NYLON INSERT LOCKNUT 1/2-13"
13	NC01-96-0011	7	NYLON NUT 3/8-16
14	91-57-0135	1	LEFT BLADE



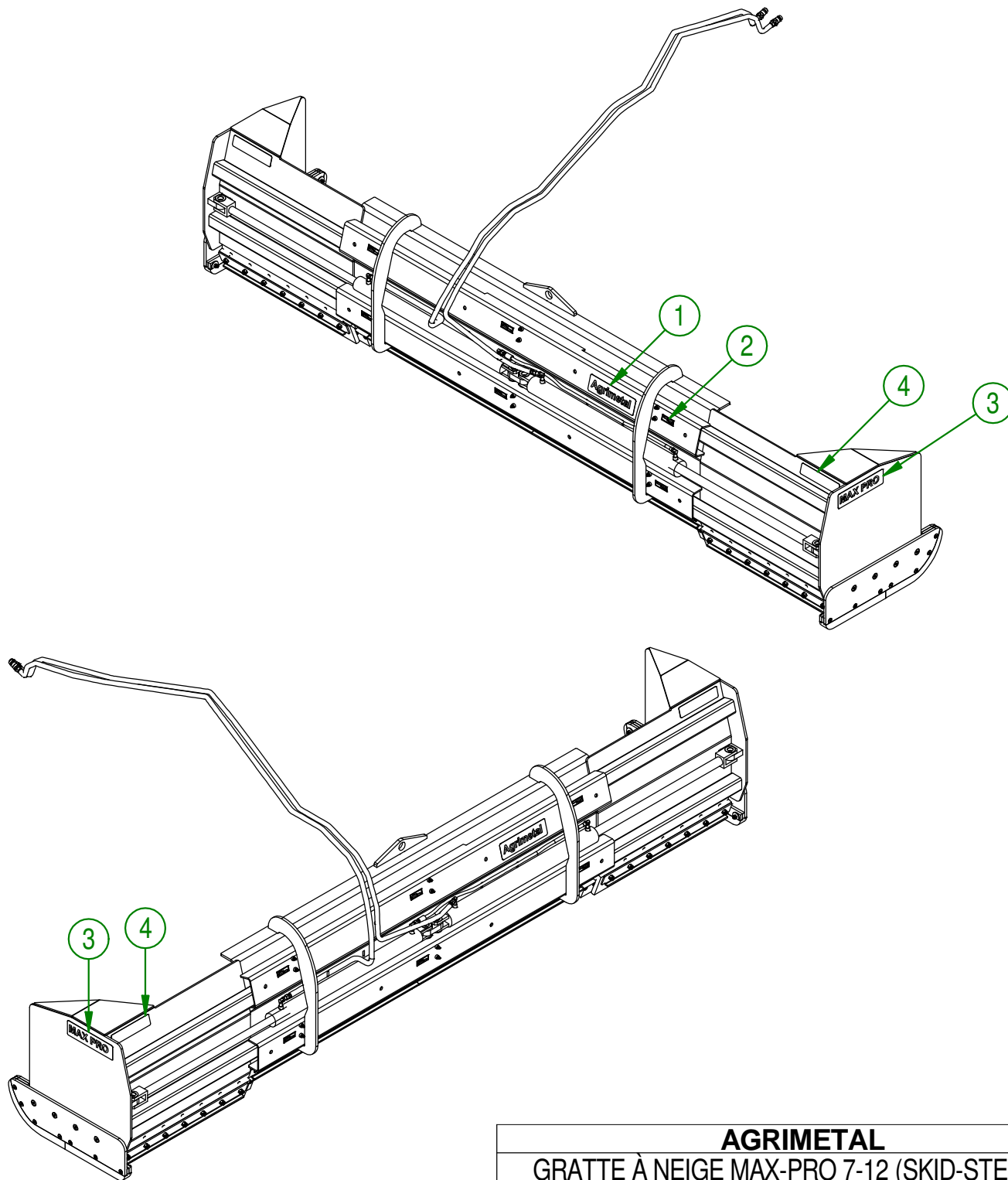
AGRIMETAL	
LEFT BLADE	
CREATION : 15/07/16	ASSEMBLY : 91-57-0050
REVISION : 15/11/18	AUTHOR : JA. H Page 6 de 8

#	PART #	Qty	TITLE
1	NCI3-45-0239	1	HYDRAULIC CYLINDER 2 1/2" X 30" STROKE
2	NCI3-45-0240	1	HYDRAULIC CYLINDER 2" X 30" STROKE
3	91-22-2200	8	FLAT WASHER HYDRAULIC CYLINDER
4	NCI3-45-0254	4	90 DEG ELBOW 9/16"-18 MALE SAE6 O RING X 3/8" MALE JIC
5	NCI7-02-0353	1	HYDRAULIC HOSE 39 3/4"
6	NCI7-02-0404	1	HYDRAULIC HOSE 102"
7	NCI7-02-0403	1	HYDRAULIC HOSE 96"
8	NCI3-45-0247	2	STRAIGHT FITTING 1/2" MALE NPT X 3/8" MALE JIC
9	NCI3-45-0014	2	QUICK COUPLER 1/2-14 NPTF



AGRIMETAL	
HYDRAULIC GROUP	
CREATION : 07/08/18	ASSEMBLY : 92-57-0430
REVISION : 05/09/18	AUTHOR : J.KABWE Page 7 de 8

#	PART #	Qty	TITLE
1	NCI3-33-0035	1	STICKER AGRIMETAL
2	NCI3-33-0024	6	STICKER GREASE HERE
3	NCI3-33-0265	2	STICKER MAX PRO
4	28-60-0050	2	STICKER SCOTCHLITE



AGRIMETAL	
GRATTE À NEIGE MAX-PRO 7-12 (SKID-STEER)	
CREATION : 07/08/18	ASSEMBLY : 92-99-2500
REVISION : 17/08/18	AUTHOR : J.KABWE Page 8 de 8