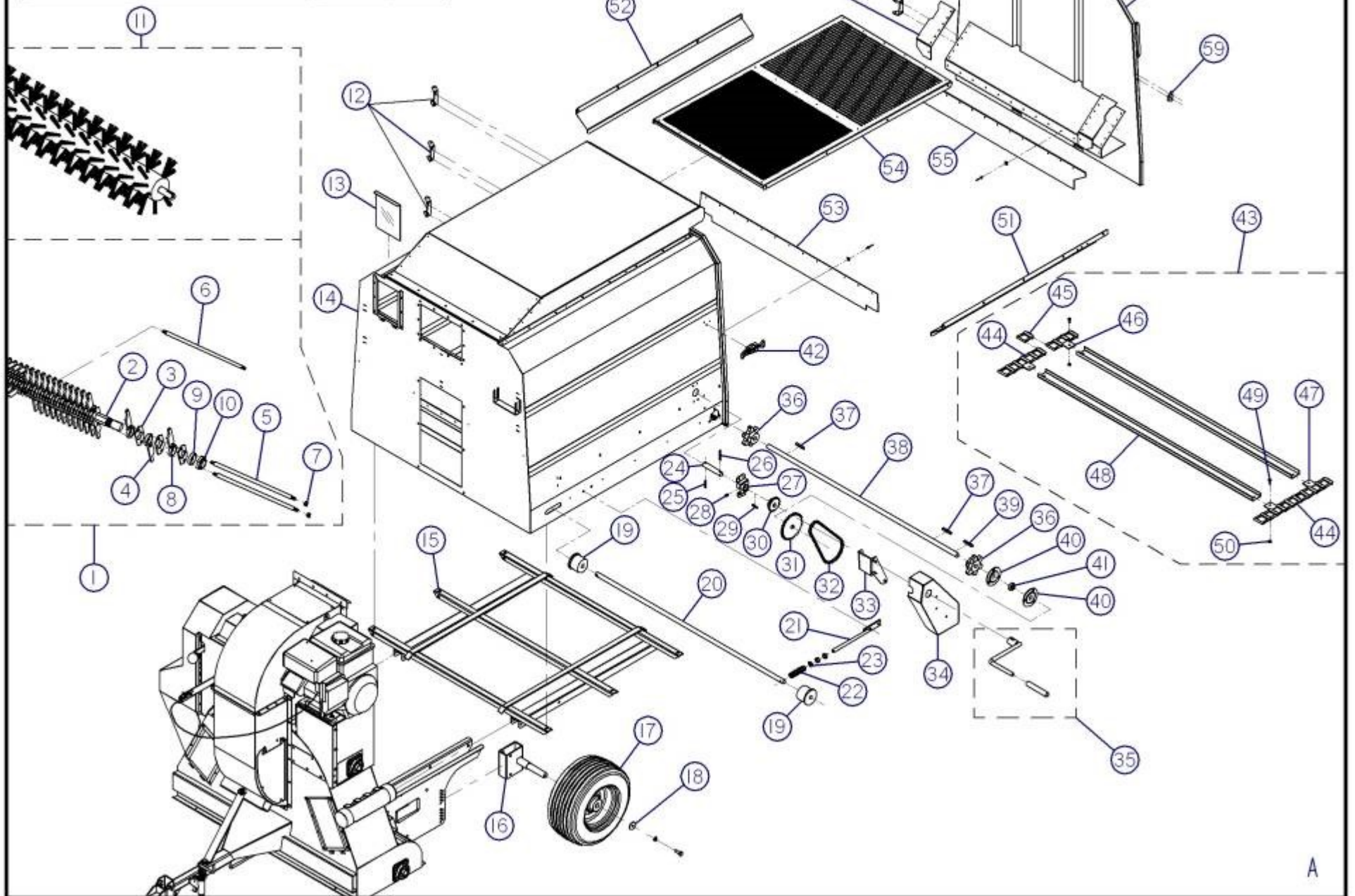


LEAF AND DEBRIS COLLECTOR 4413
RAMASSE-FEUILLES & DEBRIS 4413
VANGUARD 6 H.P. 2007



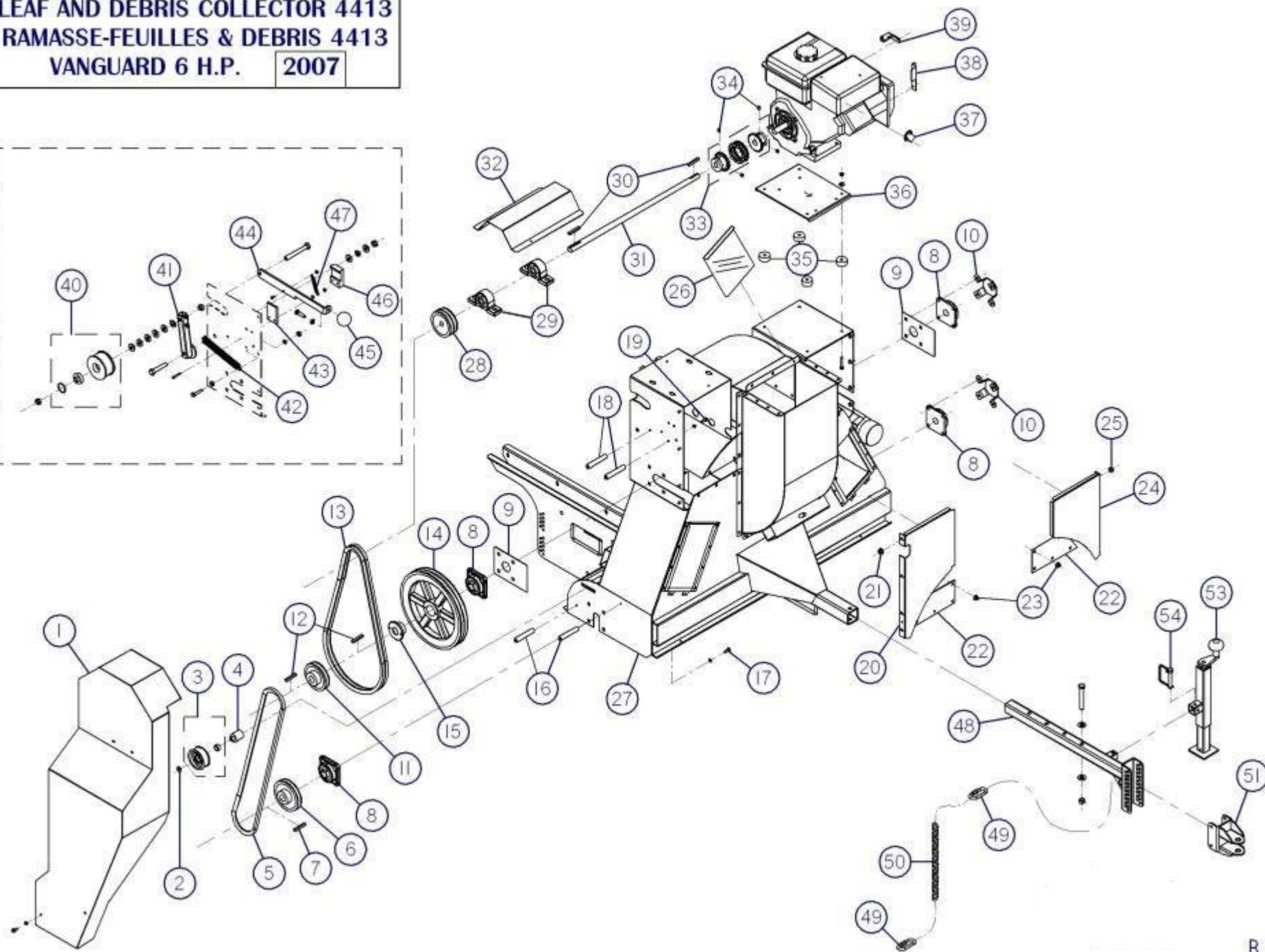
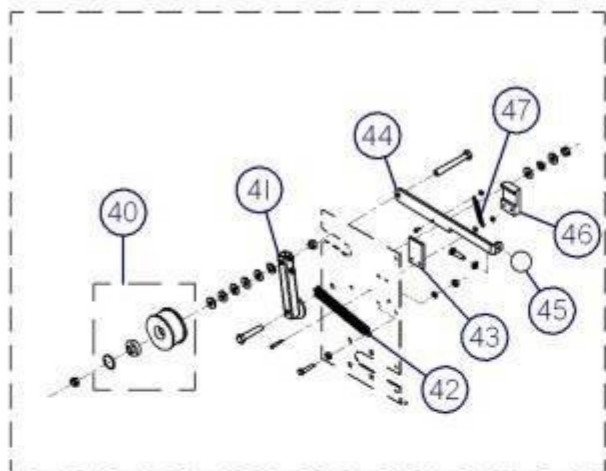
LEAF AND DEBRIS COLLECTOR MOD: 4413 (VANGUARD 6 H.P.)

REF.	PART NO.	DESCRIPTION	QTE
1	23-55-0021	NYLON FLAIL BRUSH ROTOR COMPL.	1
2	23-25-2400	ROTOR SHAFT (48 7/8" LG)	1
3	23-22-1400	HAMMER SUPPORT	90
4	NC17-46-0020	NYLON HAMMER (UNIT)	87
5	23-13-0615	HAMMER PIVOT SHAFT (14.125" LG)	4
6	23-13-0620	HAMMER PIVOT SHAFT (16.984" LG)	2
7	NC01-96-0011	NYLON INSERT LOCKNUTS 3/8"-16	12
8	NC17-46-0021	ROTOR SPACER (NYLON) .375" LG	89
9	23-21-0070	BOTH EXTREMITY ROTOR SPACER (ALUMINUM) .375" LG	2
10	NC01-98-0020	NYLON INSERT LOCKNUTS 1 1/8"-12	2
11	23-55-0115	NYLON BRUSH ROTOR	1
12	23-01-1525	DOOR HINGE (BOX)	3
13	23-42-0010	CLEAR ACCES DOOR (BOX)	1
14	23-57-0070	BOX "STICKER INCLUDED"	1
15	23-50-0025	FRAME	1
16	23-50-0020	WHEEL AXLE	2
17	NC14-70-0078	PNEUMATIC WHEEL 16" Dia. X 4 PLIS X COMPL.	2
N/I	NC14-70-0083	TIRE 16 X 6.5 - 8	2
N/I	NC14-70-0084	RIM 8" Dia.	2
N/I	NC14-70-0085	BALL BEARING # 6205 X Ø 1"	2
N/I	NC14-70-0086	VALVE TR413	2
18	01-33-0010	FLAT WASHER 1 1/2" Dia. X Ø 25/64" X 11GA	2
19	23-42-0105	PLASTIC IDLER ROLLER 3" Dia. X 2 1/8" LG	2
20	23-13-1005	IDLER SHAFT 3/4" Dia. X 46 1/8" LG	1
21	23-50-0080	CONVEYOR CHAIN TIGHTNER	2
22	NC13-86-0050	BLUE SPRING 1" Dia. X 4" LG	2
23	01-01-2485	FLAT WASHER 13/16" Dia. X Ø 25/64" X 14GA	2
24	23-13-1020	CRANK SHAFT	1
25	NC01-69-0461	SPRING PIN 1/4" X 1 1/2" LG	1
26	NC01-69-0465	SPRING PIN 1/4" X 2" LG	1
27	23-50-0055	CRANK SHAFT SUPPORT	1
28	NC01-69-0785	GREASE FITTING 1/4"-28 (STRAIGHT)	1
29	25-41-0900	SQUARE KEY 3/16" X 3/16" X 1 1/16" LG	1
30	NC14-55-0234	SPROCKET 40B15H X Ø 3/4" KW 3/16" 2SS 5/16"-18	1
31	NC14-55-0235	SPROCKET 40B30H X Ø 3/4" KW 1/4" 2SS 5/16"-18	1
32	23-37-1000	CHAIN #40 X 28" LG	1
33	23-50-0075	MANUAL CONVEYOR CHAIN GUARD SUPPORT	1
34	23-57-0063	MANUAL CONVEYOR CHAIN GUARD ASSY.	1
35	23-55-0050	CRANK HANDLE	1
36	NC14-56-0010	CAST IRON SPROCKET 62B6 X Ø 3/4" KW 1/4" 2SS 5/16"-18	2
37	01-41-0910	SQUARE KEY 1/4" X 1/4" X 1 1/2" LG	2
38	23-13-1000	CONVEYOR DRIVE SHAFT	1
39	01-41-0905	SQUARE KEY 3/16" X 3/16" X 1 1/4" LG	1
40	NC14-75-0008	PRESS.STEEL FLANGE	4
41	NC14-75-0014	BALL BEARING SB 204-12 X Ø 3/4"	2
42	NC01-63-0036	ADJUSTABLE LATCH	1
43	23-55-0010	CHAIN #62 AND U PADDLE ASSY.	1
44	23-37-0190	CHAIN #62 53 LINKS .RIGHT SIDE / 53 LINKS .LEFT SIDE " FLOOR "	1
N/I	04-37-0205	CHAIN (BOTH SIDE) #62 / FT	1
45	NC14-20-0035	LINK #62	2
N/I	NC14-20-0003	COUPLING LINK #62	2
46	NC14-20-0004	RIGHT ATTACHMENT LINK #62	1
47	NC14-20-0005	LEFT ATTACHMENT LINK #62	1
48	23-01-3320	U PADDLE 39 11/16" LG	11
49	NC01-37-0003	HEX.BOLT 1/4"-28 X 5/8" LG (GRADE 8)	22
50	NC01-97-0004	NYLON INSERT LOCKNUTS 1/4"-28	22

LEAF AND DEBRIS COLLECTOR MOD: 4413 (VANGUARD 6 H.P.)

REF.	PART NO.	DESCRIPTION	QTE
51	23-01-2630	LEFT SIDE CONVEYOR DEFLECTOR	1
52	23-01-2620	RIGTH SIDE CONVEYOR DEFLECTOR	1
53	23-57-0040	RUBBER PAD ASSY. "FLAT WASHER AND POT RIVET INCLUDED"	1
54	23-55-0025	EXHAUST SCREEN (Ø 1/4")	1
55	23-57-0255	RUBBER PAD ASSY. (BACK DOOR) "FLAT WASHER AND POT RIVET INCLUDED"	1
56	23-57-0260	RUBBER PAD ASSY. (DOOR SIDE) "FLAT WASHER AND POT RIVET INCLUDED"	2
57	23-01-1520	DOOR HINGE	3
58	23-57-0185	BACK DOOR "STICKER INCLUDED"	1
59	NC01-63-0037	LATCH STRIKE	1

LEAF AND DEBRIS COLLECTOR 4413
RAMASSE-FEUILLES & DEBRIS 4413
VANGUARD 6 H.P. 2007



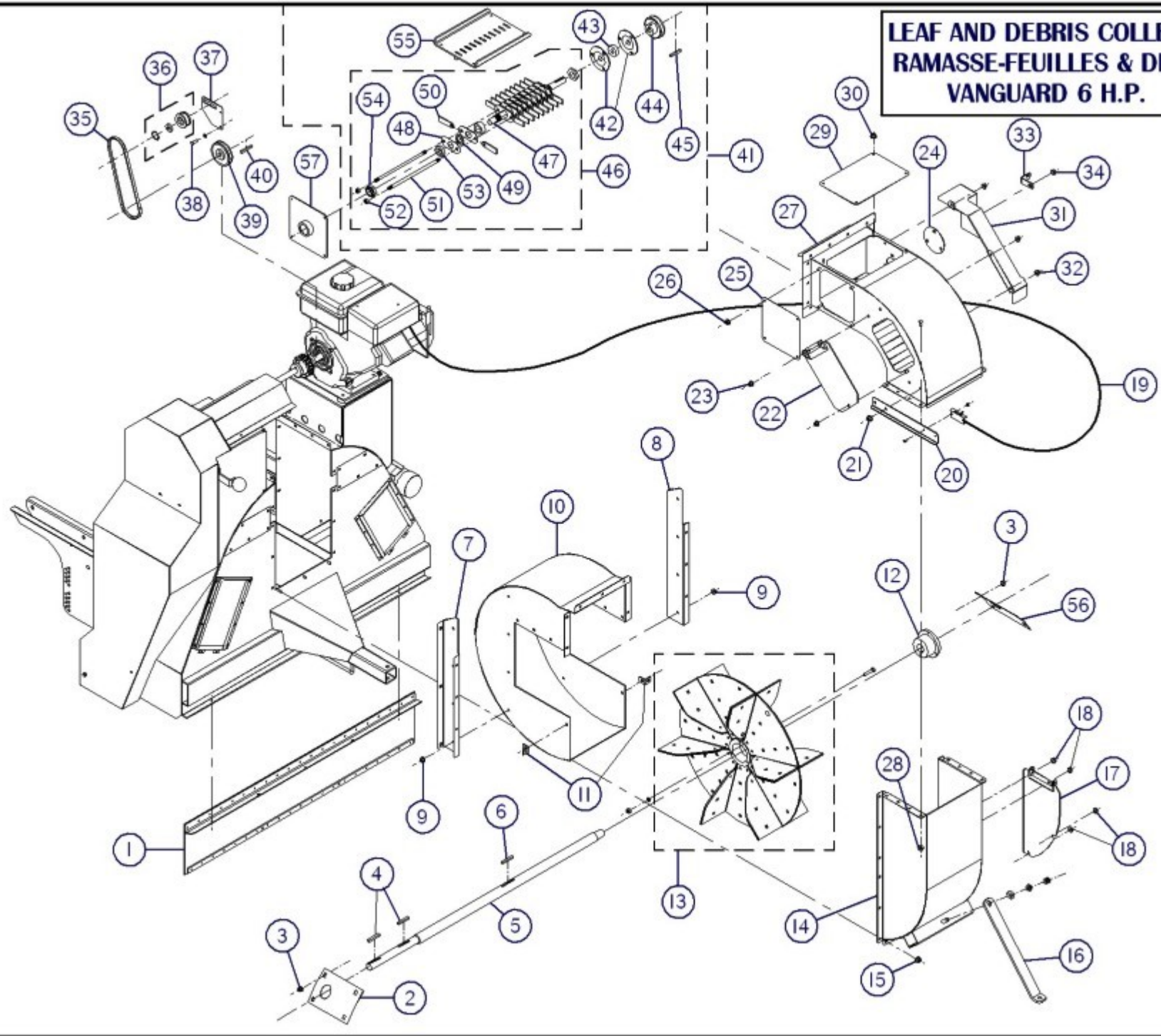
LEAF AND DEBRIS COLLECTOR MOD: 4413 (VANGUARD 6 H.P.)

REF.	PART NO.	DESCRIPTION	QTE
1	23-57-0250	PULLEY GUARD "STICKER INCLUDED"	1
2	01-01-2485	FLAT WASHER 13/16" Dia. X Ø 25/64" X 14GA	1
3	01-39-0600	IDLER PULLEY PI-300 " BUSHING INCLUDED "	1
N/I	NC13-80-0061	BUSHING 5/8" X 1/2" X 3/8"	1
4	23-21-0005	BELT TIGHTENER	1
5	NC14-25-1534	V BELT AX-56 (1/2" X 58")	1
6	NC14-62-0172	PULLEY MA45 X Ø 1" KW 1/4" 2SS 5/16"-18	1
7	01-41-0910	SQUARE KEY 1/4" X 1/4" X 1 1/2" LG	1
8	NC14-75-0023	FLANGE BEARING Ø 1" UCF 205-16	4
9	23-01-3385	IMPELLER SHAFT GUARD	2
10	23-01-3600	BEARING GUARD	2
11	NC14-62-0169	PULLEY MA40 X Ø 1" KW 1/4" 2SS 5/16"-18	1
12	01-41-0910	SQUARE KEY 1/4" X 1/4" X 1 1/2" LG	2
13	NC14-25-1533	V BELT AX-55 (1/2" X 57")	2
14	NC14-62-0083	CAST IRON SHAVE PULLEY 2MAL112	1
15	NC14-62-0174	TAPERED QD BUSHING L 1" KW 5/16"	1
16	23-21-0040	PULLEY GUARD SUPPORT (3.290" LG)	2
17	NC01-29-0003	HEX.BOLT.1/4"-28 X 5/8" LG (GRADE 5)	2
18	23-21-0035	PULLEY GUARD SUPPORT (3 1/2" LG)	2
19	NC01-29-0003	HEX.BOLT.1/4"-28 X 5/8" LG (GRADE 5)	2
20	23-57-0243	BEARING SUPPORT GUARD "STICKER INCLUDED"	1
21	NC02-14-0017	FLANGE LOCKNUT HEX. 1/4"-20 (GRADE B)	4
22	23-01-3350	SUCTION PICK-UP HEAD ACCESS DOOR	2
23	NC02-14-0017	FLANGE LOCKNUT HEX. 1/4"-20 (GRADE B)	10
24	23-01-3400	MOTOR BASE SUPPORT GUARD	1
25	NC02-14-0017	FLANGE LOCKNUT HEX. 1/4"-20 (GRADE B)	4
26	23-42-0005	CLEAR ACCESS DOOR (SUCTION BOX)	2
27	23-57-0080	SUCTION PICK-UP HEAD "STICKER INCLUDED"	1
28	NC14-62-0175	PULLEY 2MA38 X Ø 3/4" KW 3/16" 2SS 5/16-18	1
29	NC14-75-0031	PILLOW BEARING Ø 3/4" (UCP204-12)	2
30	NC01-65-0096	SQUARE KEY 3/16 X 3/16 X 1 1/2" LG	2
31	23-13-1010	DRIVE SHAFT	1
32	23-57-0233	BEARING DRIVE SHAFT GUARD "STICKER INCLUDED"	1
33	NC14-55-0169	COUPLING 4016 X Ø 3/4" KW 3/16" 2SS 5/16"-18	2
N/I	NC14-20-0030	DOUBLE CHAIN #4016	1
34	NC02-44-0103	ALLENS SET SCREW 5/16"-18 X 3/8" LG	4
35	NC13-15-0031	BEFORE -05/09 RUBBER MOUNT	4
N/I	21-01-0950	AFTER -05/09 FLAT WASHER 1.005" Dia. X Ø 25/64"	8
N/I	NC13-15-0059	AFTER -05/09 RUBBER MOUNT RB1-60	4
N/I	26-03-4800	AFTER -05/09 FLAT WASHER 1 1/2" DIA. X Ø 25/32"	8
36	23-01-1510	BEFORE -05/09 MOTOR BASE (6 HP)	1
N/I	23-04-0110	AFTER -05/09 MOTOR BASE (6 HP & 7.5 HP & 9 HP)	1
37	NC13-37-0583	MUFFLER DEFLECTOR (6 HP & 7.5 HP)	1
38	23-01-3035	CHOKE LEVER GUARD	1
39	23-03-5400	GAS CABLE SUPPORT	1
40	23-55-0030	IDLER PULLEY ASSY.	1
N/I	23-21-0060	IDLER PULLEY 3 1/2" Dia. X 1 7/8" LG	1
N/I	NC14-75-0068	BEARING #99502H	1
N/I	NC13-80-0061	BUSHING 5/8" X 1/2" X 3/8"	1
N/I	NC01-64-0142	RETAINING RINGS INTERNAL FOR Ø 1 3/8"	1
41	23-50-0060	BELT-TIGHTENER	1
42	NC13-85-0008	SPRING 7/8" Dia. X 5" LG	1
43	23-42-0110	BELT-TIGHTENER ARM COVER	1
44	23-04-0200	BELT-TIGHTENER ARM	1
45	NC17-46-0018	PLASTIC KNOB	1
46	23-42-0115	BELT-TIGHTENER ARM GUIDE	1

LEAF AND DEBRIS COLLECTOR MOD: 4413 (VANGUARD 6 H.P.)

REF.	PART NO.	DESCRIPTION	QTE
47	NC13-85-0030	SPRING 3/8" Dia. X 2" LG	1
48	23-50-0040	TELESCOPING HITCH	1
49	NC01-75-0015	RAPID LINK 5/16"	2
50	26-41-0000	SAFETY CHAIN "66 LINKS"	1
51	23-55-0110	HITCH	1
53	38-55-0050	JACK	1
54	NC01-69-1306	LOCK PIN 3/8" Dia. X 2 1/2" LG	1

LEAF AND DEBRIS COLLECTOR 4413
RAMASSE-FEUILLES & DEBRIS 4413
VANGUARD 6 H.P. 2007



LEAF AND DEBRIS COLLECTOR MOD: 4413 (VANGUARD 6 H.P.)

REF.	PART NO.	DESCRIPTION	QTE
1	23-55-0095	RUBBER PAD ASSY.	1
2	23-01-3375	IMPELLER SHAFT GUARD (RIGHTSIDE)	1
3	NC02-14-0017	FLANGE LOCKNUT HEX. 1/4"-20 (GRADE B)	8
4	01-41-0910	SQUARE KEY 1/4" X 1/4" X 1 1/2" LG	2
5	23-13-1605	IMPELLER SHAFT	1
6	01-41-0920	SQUARE KEY 1/4" X 1/4" X 2" LG	1
7	23-01-3360	RIGHT BOX SUPPORT CHANNEL	1
8	23-01-3365	LEFT BOX SUPPORT CHANNEL	1
9	NC02-14-0017	FLANGE LOCKNUT HEX. 1/4"-20 (GRADE B)	16
10	23-50-0005	BLOWER CASING (BACK)	1
11	23-01-2465	CASING BLOWER SUPPORT	2
12	NC14-62-0019	TAPERED QD BUSHING SK Ø 1 1/4" K.W. 1/4" (PTO)	1
13	23-55-0005	IMPELLER	1
14	23-50-0010	BLOWER CASING FRONT	1
15	NC02-14-0017	FLANGE LOCKNUT HEX. 1/4"-20 (GRADE B)	15
16	23-05-1500	HITCH REINFORCEMENT	1
17	23-55-0075	LEFT IMPELLER BOX ACCESS DOOR "STICKER INCLUDED"	1
18	NC02-14-0017	FLANGE LOCKNUT HEX. 1/4"-20 (GRADE B)	3
19	NC13-37-0581	GAS CÂBLE AND CONTROL LEVER (41" LG)	1
20	23-01-1625	THROTTLE-LEVER SUPPORT	1
21	NC02-14-0017	FLANGE LOCKNUT HEX. 1/4"-20 (GRADE B)	2
22	23-55-0056	CHUT ELBOW ACCESS DOOR "STICKER INCLUDED"	1
23	NC02-14-0017	FLANGE LOCKNUT HEX. 1/4"-20 (GRADE B)	2
24	23-01-3200	ACCESS DOOR GUARD (BEARING)	1
25	23-01-3180	ACCESS DOOR (ELBOW SIDE)	1
26	NC02-14-0017	FLANGE LOCKNUT HEX. 1/4"-20 (GRADE B)	4
27	23-57-0190	CHUT ELBOW 90° "STICKER INCLUDED"	1
28	NC02-14-0017	FLANGE LOCKNUT HEX. 1/4"-20 (GRADE B)	25
29	23-01-3090	ACCESS DOOR (ELBOW TOP)	1
30	NC02-14-0017	FLANGE LOCKNUT HEX. 1/4"-20 (GRADE B)	4
31	23-01-3250	MOTOR SHAFT GUARD	1
32	NC02-14-0017	FLANGE LOCKNUT HEX. 1/4"-20 (GRADE B)	3
33	23-01-7660	GUARD BRAKET	1
34	NC02-14-0017	FLANGE LOCKNUT HEX. 1/4"-20 (GRADE B)	2
35	NC14-25-0248	V-BELT A-21 (1/2" X 23")	1
36	23-55-0085	IDLER PULLEY ASSY.	1
N/I	23-21-0065	ONLY IDLER PULLEY	1
N/I	NC14-75-0068	BEARING #99502H	1
N/I	NC01-64-0142	RETAINING RINGS INTERNAL FOR Ø 1 3/8"	1
N/I	NC13-80-0061	BUSHING 5/8" X 1/2" X 3/8"	1
37	23-01-1675	BELT-TIGHTENER SUPPORT	1
38	NC01-21-0058	HEX. BOLT 5/16"-24 X 3/4" LG (GRADE 2)	2
39	23-39-0030	PULLEY MA40 X Ø 3/4" KW 3/16" 2SS 5/16"-18	1
40	NC01-65-0096	SQUARE KEY 3/16 X 3/16 X 1 1/2" LG	1
41	23-57-0265	*****MULCHING KIT ASSY MOD: 4413	1
42	NC14-75-0008	PRESS.STEEL FLANGE	2
43	NC14-75-0014	BALL BEARING SB 204-12 X Ø 3/4"	1
44	NC14-62-0168	PULLEY MA30 X Ø 3/4" KW 3/16" 2SS 5/16"-18	1
45	01-41-0905	SQUARE KEY 3/16" X 3/16" X 1 1/4" LG	1
46	23-55-0080	ROTOR HAMMER ASSY.(VANGUARD MOTOR)	1
47	23-25-2405	HAMMER SHAFT (VANGUARD MOTOR)	1
48	23-01-3045	HAMMER SUPPORT	20
49	NC02-18-8143	FLAT WASHER 1 1/2 Dia. X Ø 1" X .134	20
50	23-01-1050	HAMMER	20
51	23-13-0400	HAMMER PIVOT SHAFT (9 1/4" LG)	2
52	NC01-96-0011	NYLON INSERT LOCKNUTS 3/8"-16	4

LEAF AND DEBRIS COLLECTOR MOD: 4413 (VANGUARD 6 H.P.)

REF.	PART NO.	DESCRIPTION	QTE
53	23-21-0025	BOTH EXTREMITY ROTOR SPACER (5/16" LG)	2
54	NC01-98-0018	NYLON INSERT LOCKNUTS 7/8"-14	2
55	23-50-0090	ACCESS DOOR (COUNTER-KNIFES)	1
56	23-01-3380	IMPELLER SHAFT GUARD (RIGHTSIDE)	1
57	23-55-0100	ACCESS DOOR ASSY (ELBOW SIDE)	1
N/I	NC14-75-0110	BEARING (R12 2RS)	2

STICKER LEAF AND DEBRIS COLLECTOR MOD:4413 (VANGUARD 6 H.P.)

REF.	PART NO.	DESCRIPTION	QTE
N/I	23-58-0000	STICKER KIT (LEAF AND DEBRIS COLLECTOR 4413)	1
N/I	01-60-0060	STICKER DANGER FIRE HAZARD .STOP ENGINE FIVE MINUTES BEFORE...	1
N/I	16-60-0020	STICKER DANGER THROWN OBJECT HAZARD...	2
N/I	01-60-0070	STICKER WARNING MISSING SHIELD HAZARD...	1
N/I	01-60-0115	STICKER WARNING ROTATING PART HAZARD...	1
N/I	16-60-0040	STICKER IMPORTANT 3 1/2 INCHES 89 MM	2
N/I	03-60-0005	STICKER GREASE GUN	7
N/I	16-60-0025	STICKER FRAME LEVEL	2
N/I	01-60-0005	STICKER AGRIMÉTAL INC "SMALL"	1
N/I	06-60-0000	STICKER AGRIMÉTAL INC "MEDIUM"	1
N/I	NC13-33-0098	STICKER WARNING ROTATING BLADE HAZARD...	2
N/I	NC13-33-0112	STICKER DANGER BLOWER BLADE HAZARD...	4
N/I	NC13-33-0146	STICKER DANGER UPENDING HAZARD...	1
N/I	NC13-33-0147	STICKER CAUTION 1. READ OPERATOR'S MANUAL BEFORE STARTING...	1
N/I	NC13-33-0141	STICKER 4413 AND LEAF COLLECTOR	2
N/I	NC13-33-0142	STICKER PICTOGRAMME...	1
N/I	NC13-33-0151	STICKER IMPORTANT TO PREVENT ENGINE FAILURE ALWAYS...	1