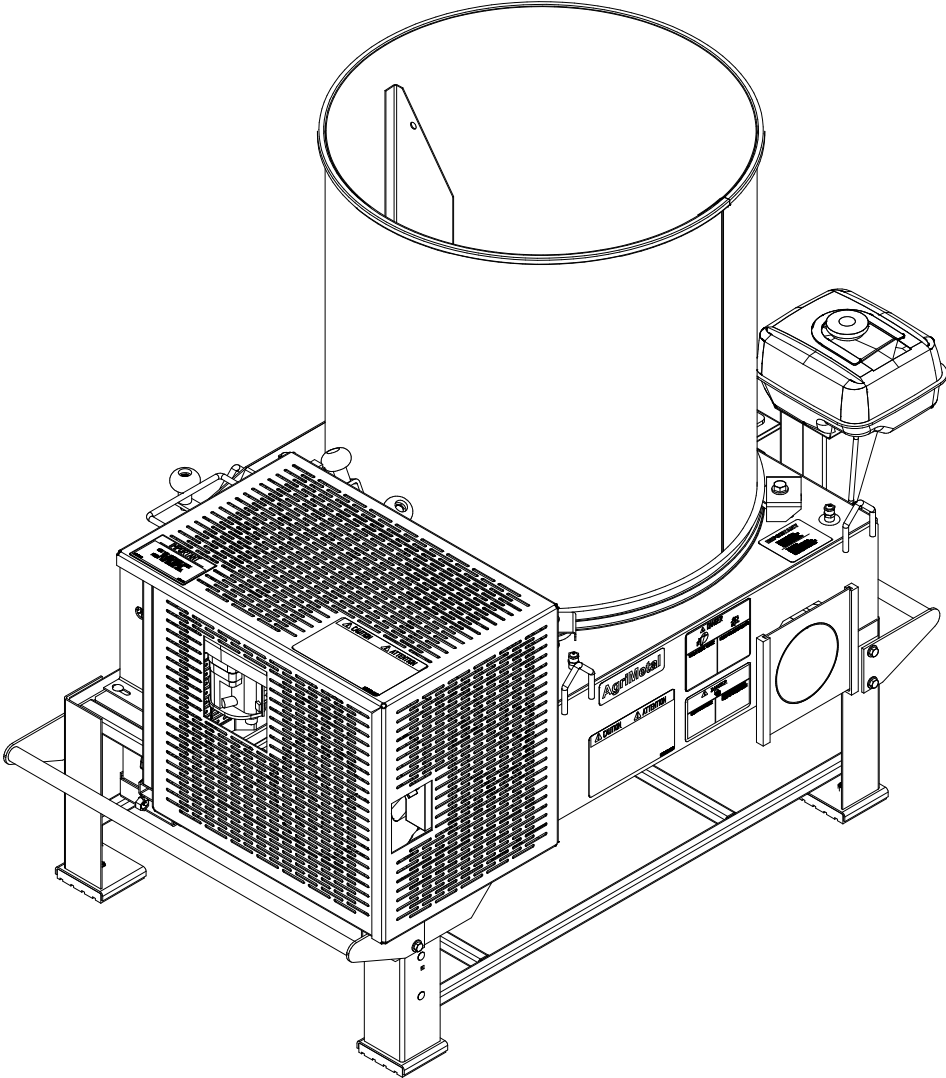




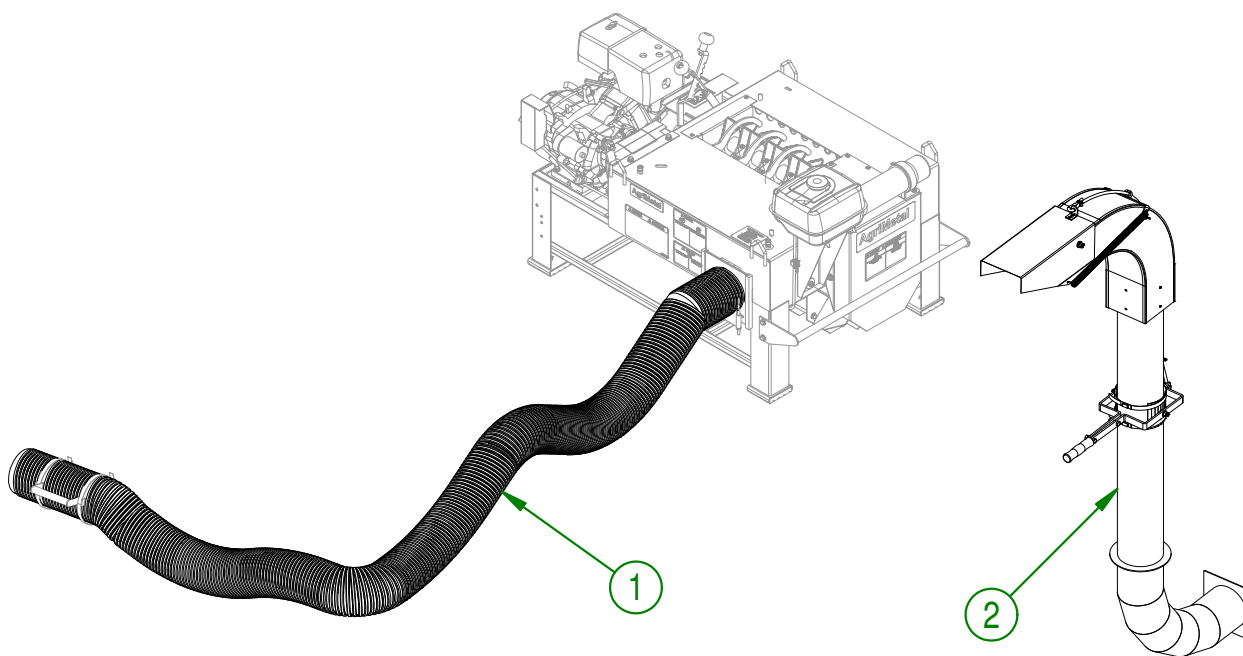
PARTS LIST



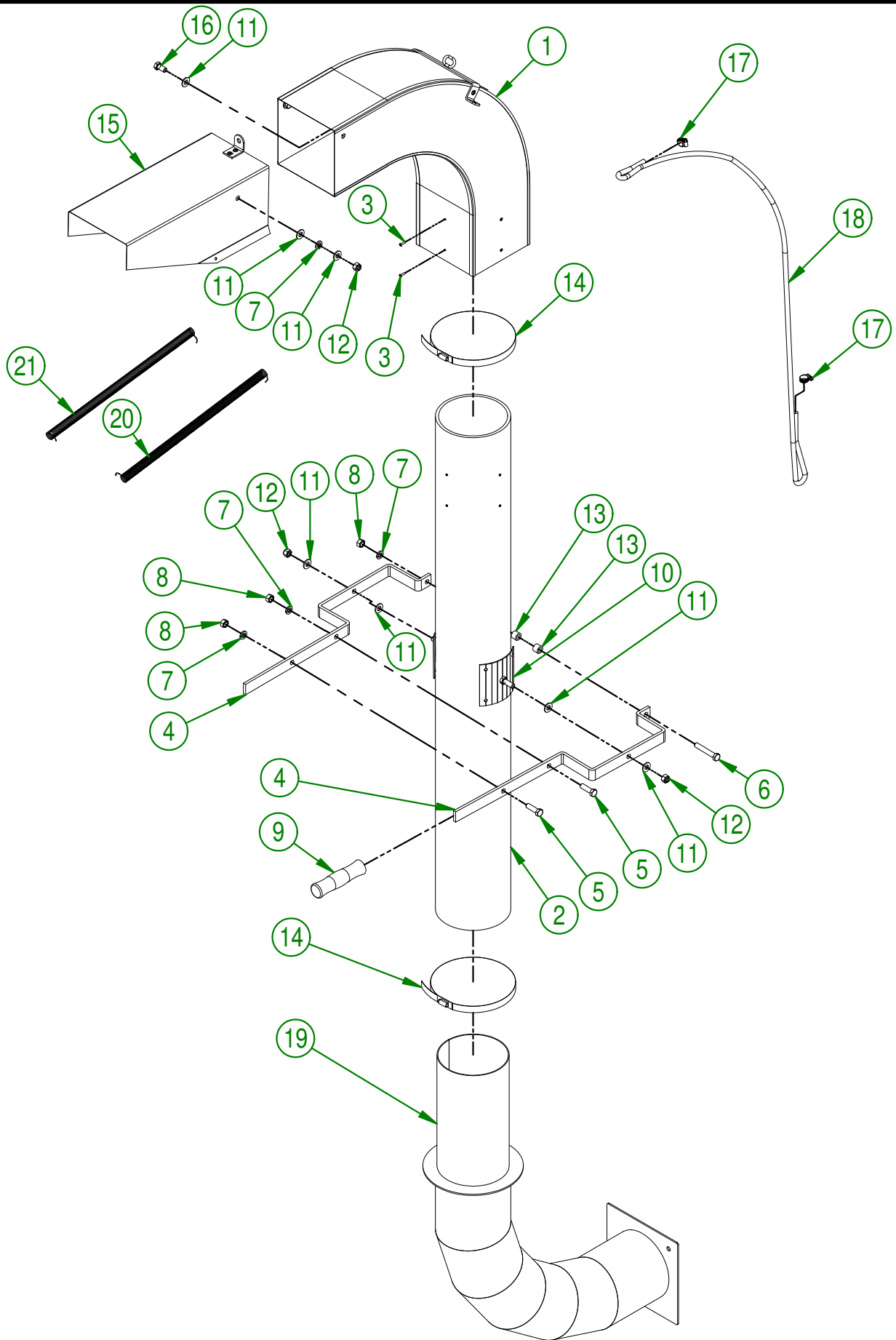
**STRAW MULCHERS
(GA-130S-LS)**

#	PART #	Qty	TITLE
1	03-42-0010	1	FLEXIBLE HOSE Ø 6" X (FT) (BIGO) (OPTION)
2	03-55-0035	1	STEEL ELBOW 90° WITH ADJUSTABLE DEFLECTOR (OPTION)

OPTION:

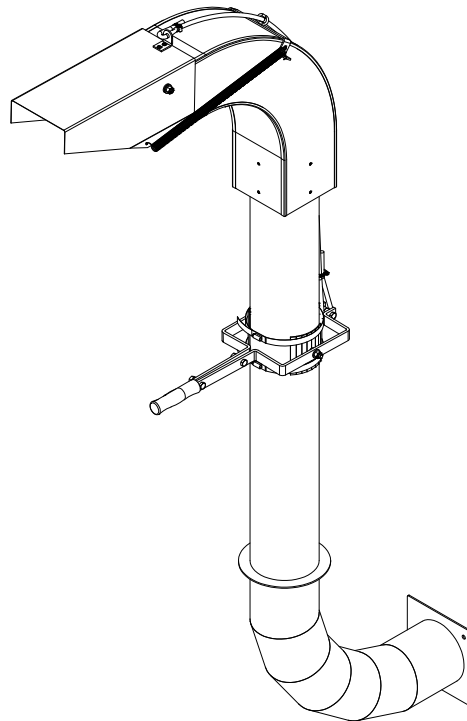


AGRIMETAL	
STRAW MULCHERS (GA-130-S-LS)	
CREATION : 08/08/18	ASSEMBLY : 03-99-0015
REVISION : 10/10/18	AUTHOR : F.HÉLIE
	Page 1 de 28



AGRIMETAL	
STEEL ELBOW 90° WITH ADJUSTABLE DEFLECTOR (OPTION)	
CREATION : 07/08/18	ASSEMBLY : 03-55-0035
REVISION : 07/09/18	AUTHOR : F.HÉLIE
	Page 2 de 28

#	PART #	Qty	TITLE
1	03-55-0183	1	ASSEMBLY GALV. SQUARE STEEL ELBOW 90°
2	03-42-0015	1	RIGID PVC PIPE Ø6" X 48"LG.
3	NC01-78-0055	8	ALUMINIUM BLIND POP RIVET STEEL MANDREL 0.125 X 0.515
4	03-05-1000	2	ARM CONTROL
5	NC01-17-0115	2	HEX. BOLT GR2 ZINC 3/8-16 X 1 1/4"
6	NC01-17-0119	1	HEX. BOLT GR2 ZINC 3/8-16 X 2 1/4"
7	NC02-32-0012	5	LOCK WASHER ZINC 3/8"
8	NC02-07-0018	3	HEX. NUT ZINC 3/8-16
9	NC13-15-0009	1	RUBBER HANDLE
10	03-50-0045	2	CONTROL HANDLE SUPPORT
11	01-01-2485	10	FLAT WASHER 14 GA X 13/16"OD X 25/64" ID
12	NC01-96-0011	4	NYLON NUT 3/8-16
13	01-09-0000	2	BEARING RACE (UCFL205-16)
14	03-41-0100	2	HOSE CLAMP (HAS 116) Ø7 3/4"
15	03-55-0181	1	GALV.DEFLECTOR ASS.
16	NC01-17-0112	2	HEX. BOLT GR2 ZINC 3/8-16 X 3/4"
17	NC01-65-0053	2	COLLAR (MH4)
18	03-41-0050	1	DEFLECTOR CABLE 3/8" X 58" LG.
19	03-50-0041	1	STEEL ELBOW 90° FOR RIGID PIPE Ø6" (OPTION)
20	NC13-85-0017	1	GALV.SPRING Ø 5/8" X 5 1/4" LG.
21	NC13-85-0017	1	GALV.SPRING Ø 5/8" X 5 1/4" LG.

**AGRIMETAL**

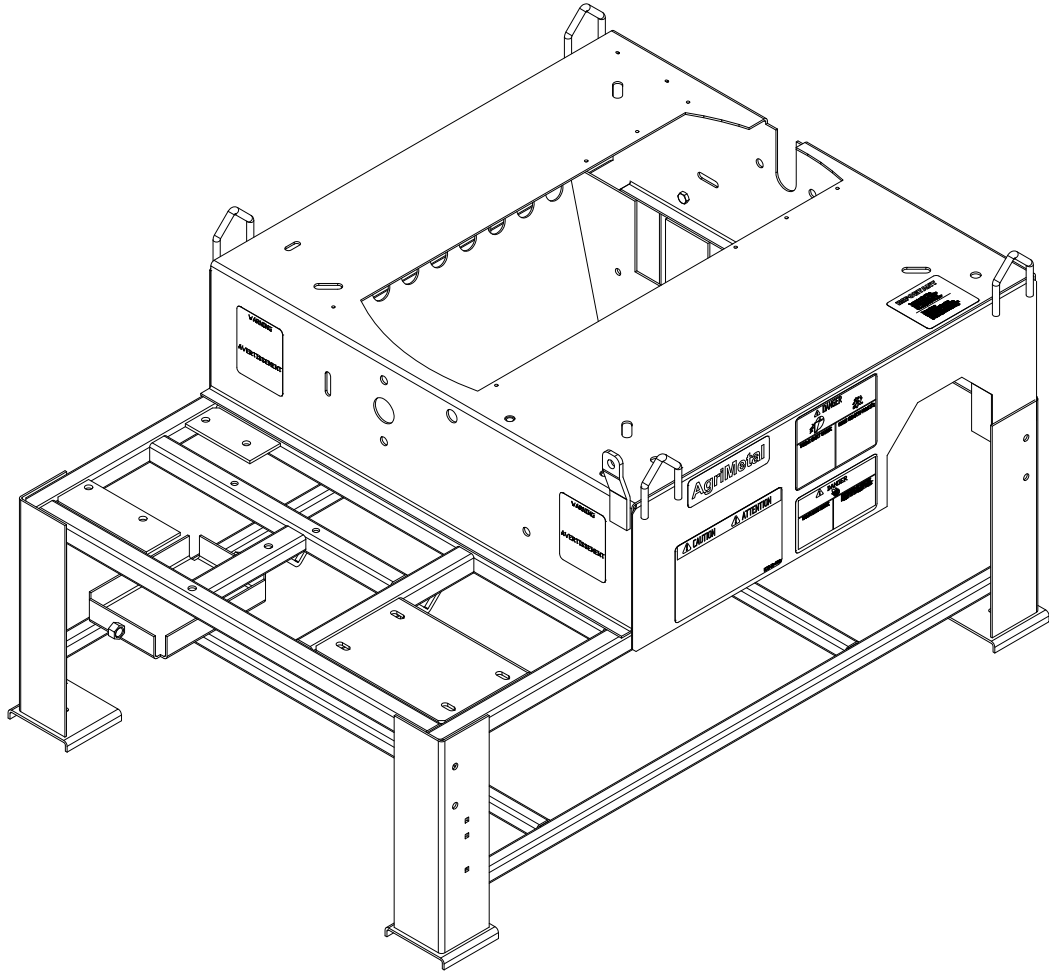
STEEL ELBOW 90° WITH ADJUSTABLE DEFLECTOR (OPTION)

CREATION : 07/08/18
 REVISION : 07/09/18

ASSEMBLY : **03-55-0035**

AUTHOR : F.HÉLIE

Page 3 de 28



AGRIMETAL

ASSEMBLY FRAME GROUP "STICKER INCLUDED"

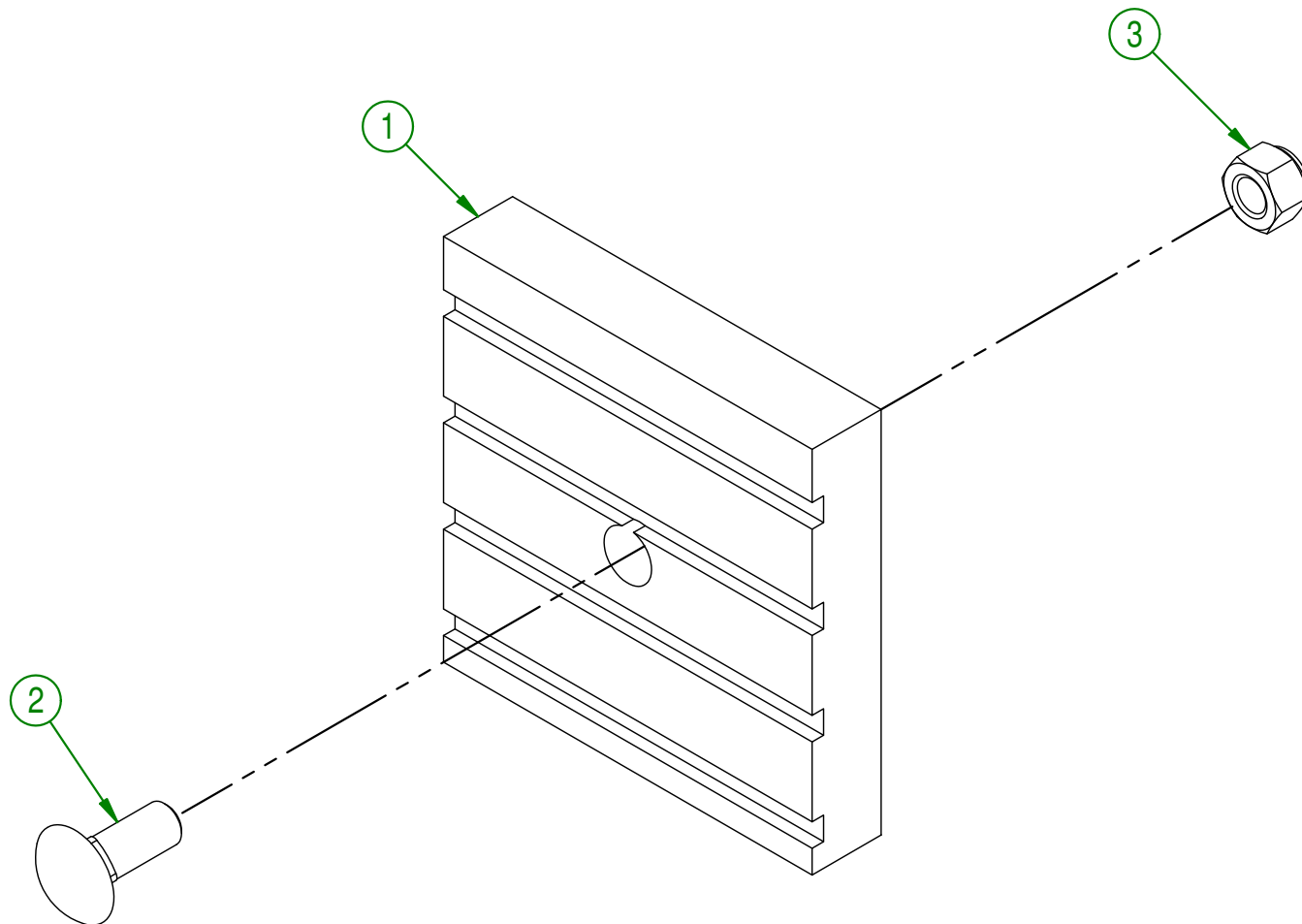
CREATION : 13/07/18
REVISION : 10/10/18

ASSEMBLY : **03-57-0200**

AUTHOR : F.HÉLIE

Page 4 de 28

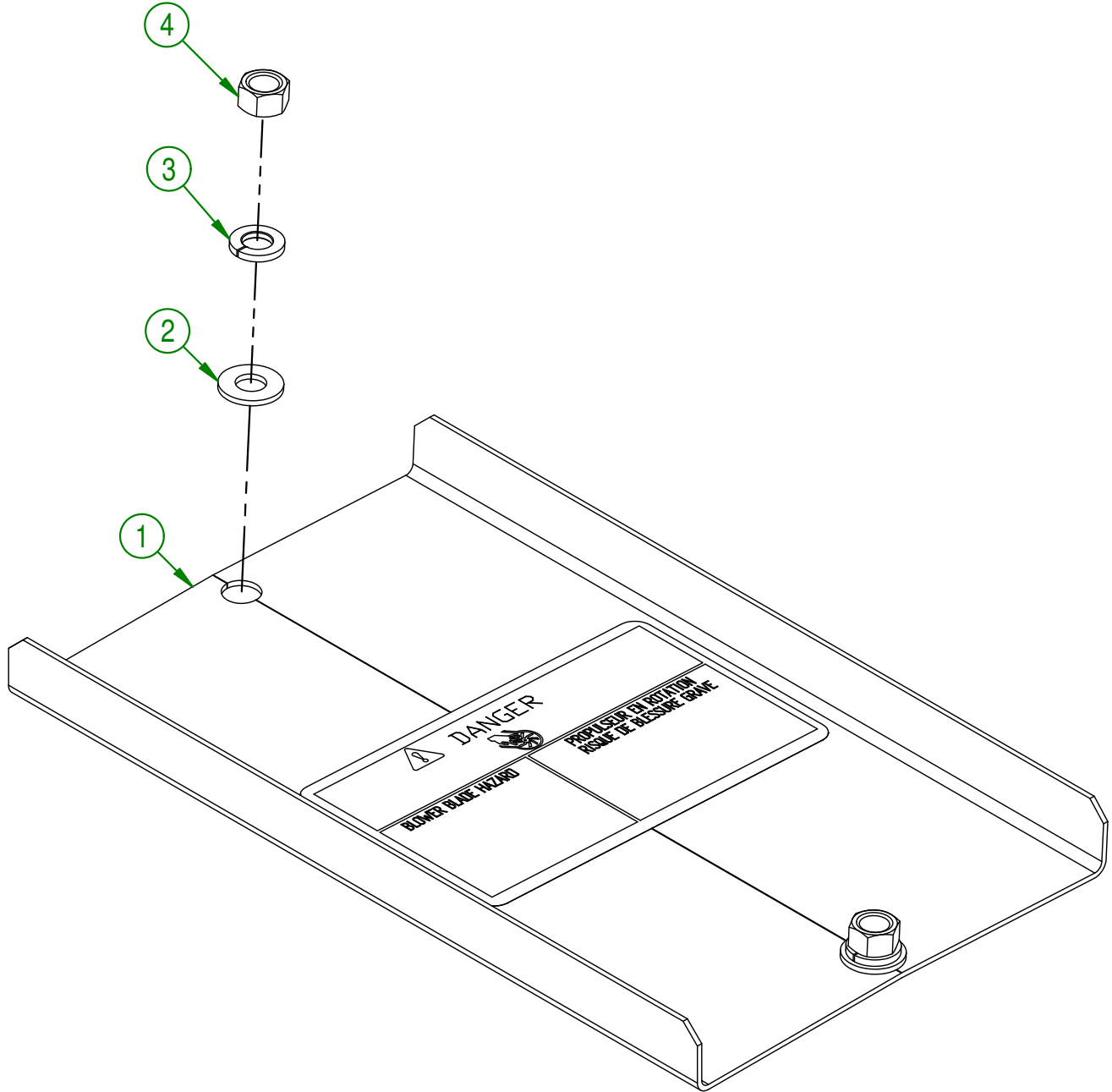
#	PART #	Qty	TITLE
1	03-42-0070	1	SQUARE RUBBER
2	NC01-04-0109	1	CARR. BOLT GR2 ZINC 3/8-16 X 1"
3	NC01-96-0011	1	NYLON NUT 3/8-16



AGRIMETAL	
SQUARE RUBBER GROUP	
CREATION : 13/07/18	ASSEMBLY : 03-57-0205
REVISION : 08/08/18	AUTHOR : F.HÉLIE
	Page 5 de 28

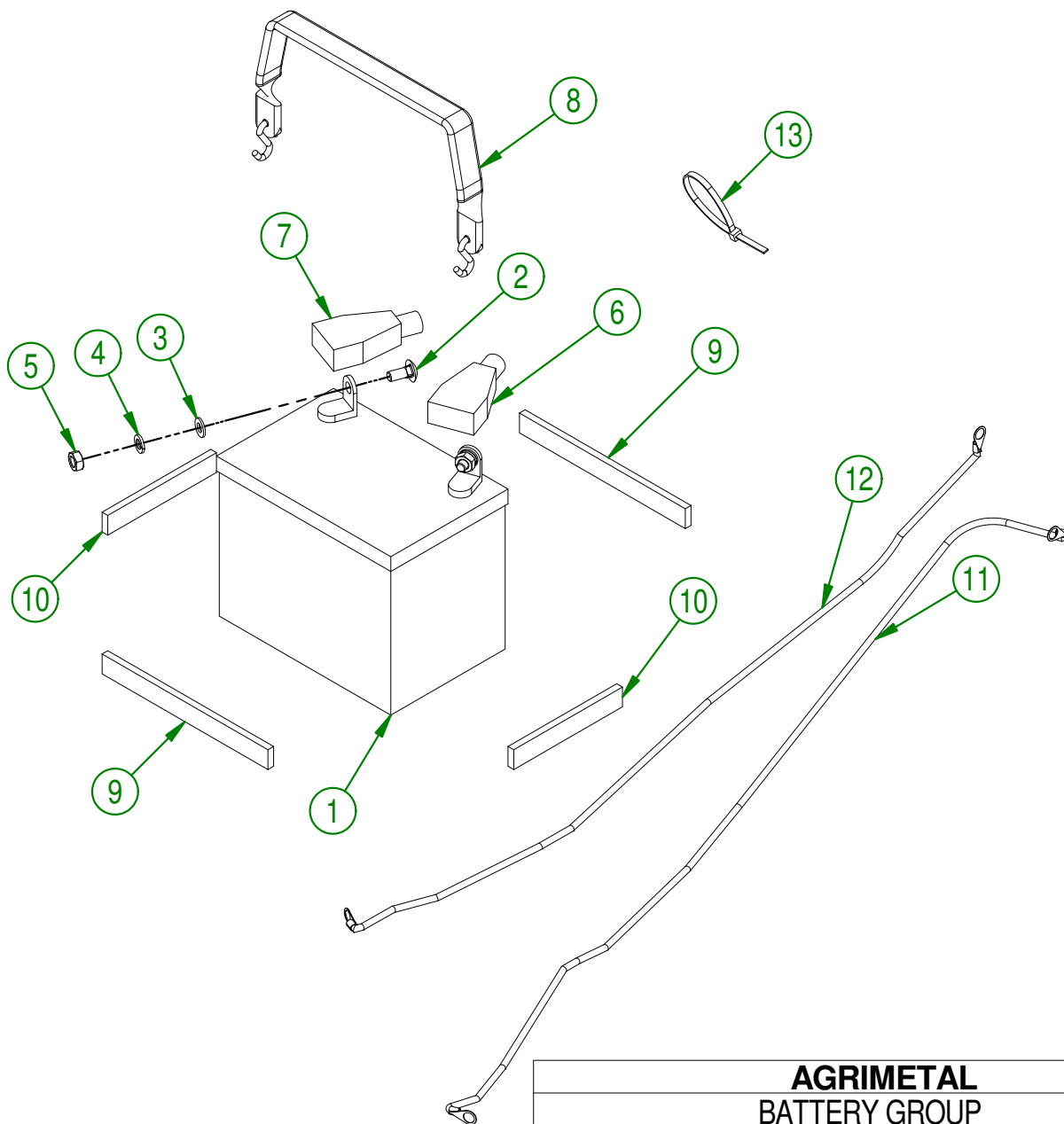
03-57-0210

#	PART #	Qty	TITLE
1	03-57-0177	1	ACCESS DOOR "STICKER INCLUDED"
2	01-01-2485	2	FLAT WASHER 14 GA X Ø13/16" X Ø25/64"
3	NC02-32-0012	2	LOCK WASHER ZINC 3/8"
4	NC02-07-0018	2	HEX. NUT ZINC 3/8-16



AGRIMETAL	
ACCESS DOOR GROUP	
CREATION : 13/07/18	ASSEMBLY : 03-57-0210
REVISION : 08/08/18	AUTHOR : F.HÉLIE
	Page 6 de 28

#	PART #	Qty	TITLE
1	NCI3-12-0001	1	12 VOLTS BATTERY
2	NC01-04-0056	2	CARR. BOLT 5/16-18 X3/4"
3	NC02-22-0008	2	WASHER ZINC 5/16"
4	NC02-32-0011	2	LOCK WASHER ZINC 5/16"
5	NC02-07-0017	2	HEX. NUT 5/16-18
6	NCI3-80-0267	1	RED PROTECTOR FOR BATTERY POST
7	NCI3-80-0268	1	BLACK PROTECTOR FOR BATTERY POST
8	NCI3-15-0008	1	RUBBER STRAP
9	01-42-0200	2	SPONGE RIBBON (ELECTRIC OPTION) 1/4" X 3/4" X 7 1/4"
10	01-42-0205	2	SPONGE RIBBON (ELECTRIC OPTION) 1/4" X 3/4" X 4 3/4"
11	03-55-0127	1	POSITIVE CABLE (36" LG.)
12	03-55-0126	1	NEGATIVE CABLE (34" LG.)
13	NCI3-25-0019	1	BLACK TIE RAP



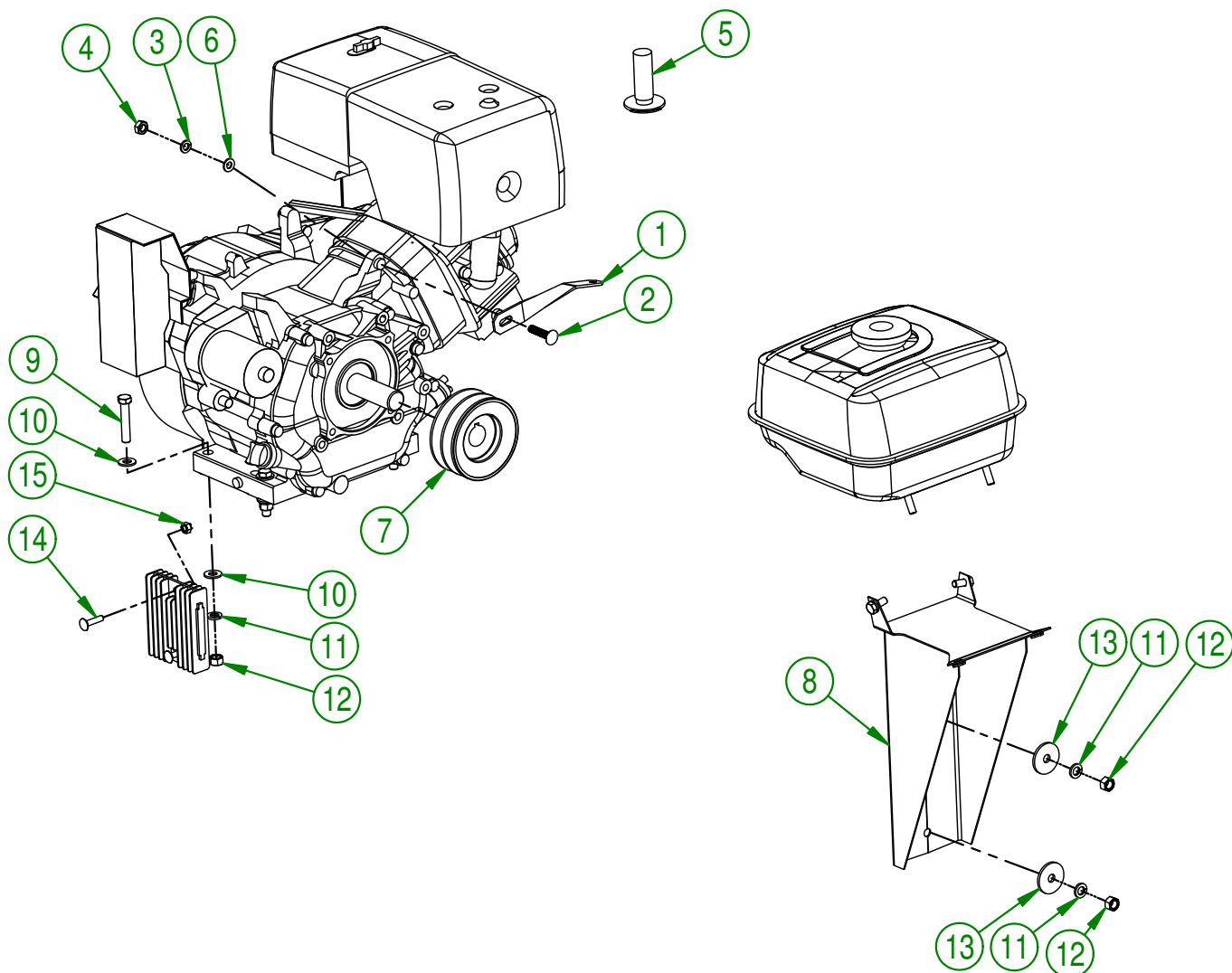
AGRIMETAL
BATTERY GROUP

CREATION : 17/07/18
REVISION : 08/08/18

ASSEMBLY : **03-57-0025**

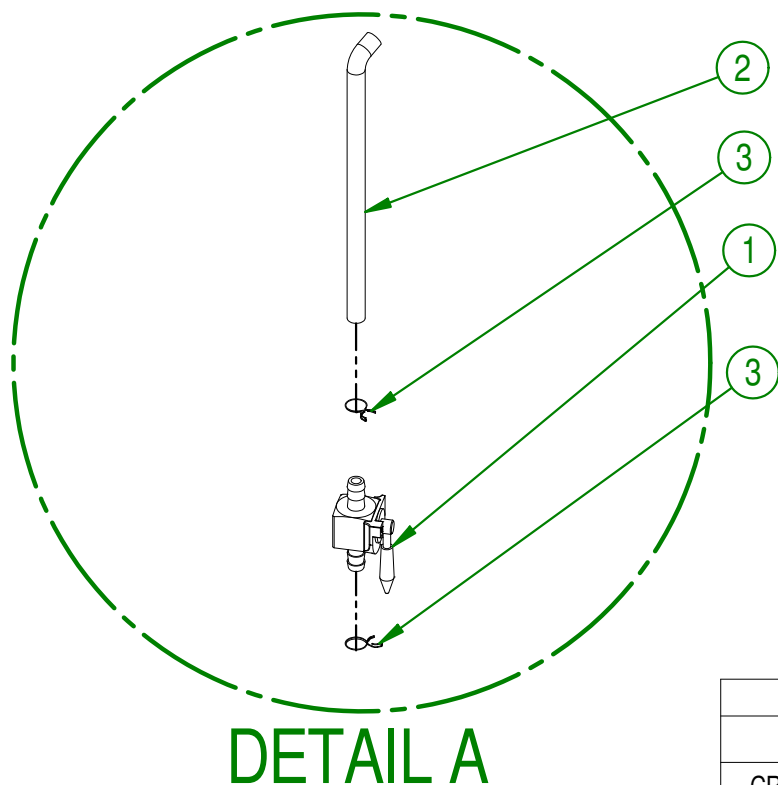
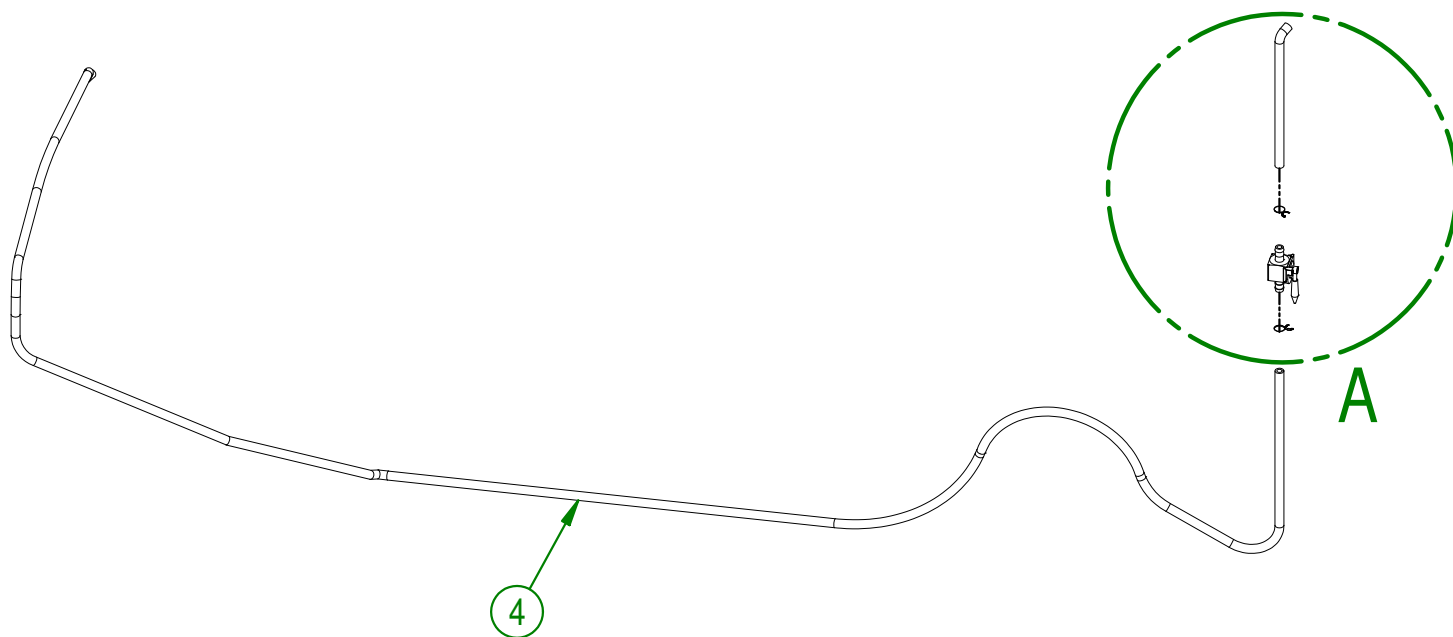
AUTHOR : F.HÉLIE

#	PART #	Qty	TITLE
1	01-03-5400	1	MUFFLER BRACKET SUPPORT
2	NC01-04-0060	1	CARR. BOLT GR2 5/16-18 X 1 1/2
3	NC02-32-0011	1	LOCK WASHER ZINC 5/16"
4	NC02-07-0017	1	HEX. NUT 5/16-18
5	NC13-37-0020	1	HONDA MOTOR ARRESTER SPARK
6	NC02-22-0008	1	WASHER ZINC 5/16"
7	NC14-62-0069	1	IRON CAST PULLEY 2MB40 X 1"Ø KW 1/4 2SS
8	03-55-0186	1	GAZ TANK SUPPORT
9	NC01-17-0118	4	HEX. BOLT GR2 ZINC 3/8-16 X 2"
10	01-01-2485	8	FLAT WASHER 14 GA X 13/16"OD X 25/64" ID
11	NC02-32-0012	6	LOCK WASHER ZINC 3/8"
12	NC02-07-0018	6	HEX. NUT ZINC 3/8-16
13	01-33-0010	2	WASHER
14	NC01-04-0005	2	CARR. BOLT GR2 ZINC 1/4-20 X 1"
15	NC01-96-0009	2	NYLON-INSERT LOCKNUT ZINC 1/4-20



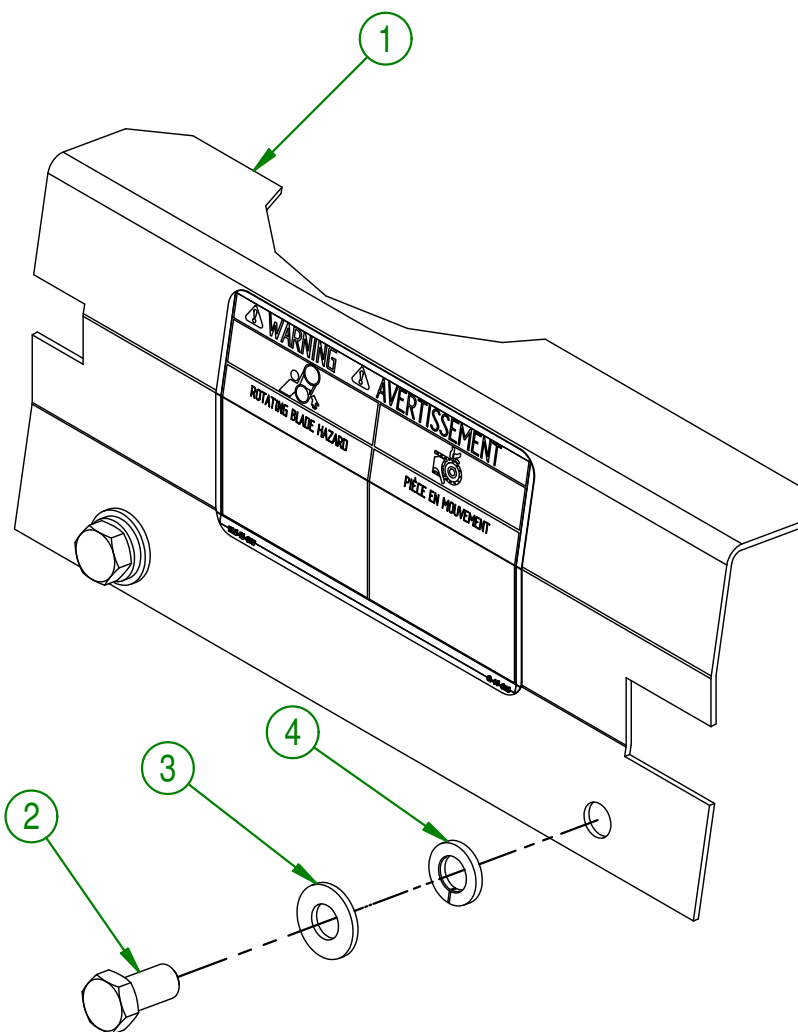
AGRIMETAL	
HONDA MOTOR 13 H.P. (STARTER) GROUP	
CREATION : 10/07/18	ASSEMBLY : 03-57-0325
REVISION : 30/08/19	AUTHOR : F.HÉLIE Page 8 de 28

#	PART #	Qty	TITLE
1	NC13-37-0589	1	GAZ VALVE (1/4" HOSE FITTING)
2	03-46-0531	1	GAZ HOSE Ø5/16" X 6" LG.
3	NC01-65-0198	2	SPRING -GRIP HOSE CLAMPS " O.D Ø5/16"
4	03-46-0529	1	GAZ HOSE Ø5/16" X 76"



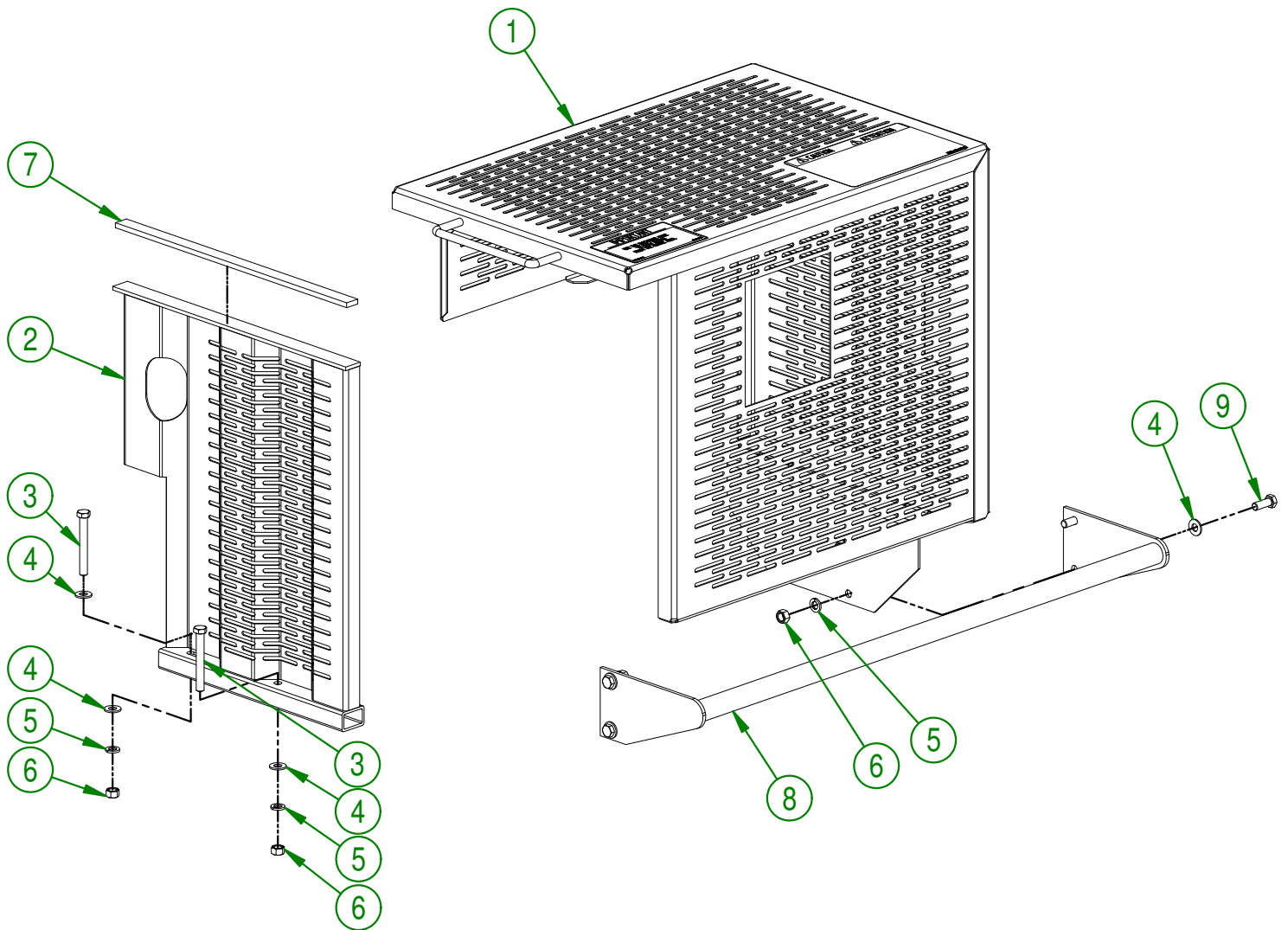
AGRIMETAL	
ASSEMBLY GAZ HOSE & VALVE	
CREATION : 17/07/18	ASSEMBLY : 03-55-0075
REVISION : 08/08/18	AUTHOR : F.HÉLIE Page 9 de 28

#	PART #	Qty	TITLE
1	01-57-2020	1	ENGINE BELT GUARD
2	NC01-17-0112	2	HEX. BOLT GR2 ZINC 3/8-16 X 3/4"
3	01-01-2485	2	FLAT WASHER 14 GA X 13/16"OD X 25/64" ID
4	NC02-32-0012	2	LOCK WASHER ZINC 3/8"



AGRIMETAL	
ENGINE BELT GUARD GROUP	
CREATION : 16/07/18	ASSEMBLY : 03-57-0340
REVISION : 13/08/18	AUTHOR : F.HÉLIE Page 10 de 28

#	PART #	Qty	TITLE
1	03-50-0065	1	MOTOR GUARD
2	03-50-0060	1	MUFFLER GUARD
3	NC01-17-0122	2	HEX. BOLT GR2 ZINC 3/8-16 X 3"
4	01-01-2485	7	FLAT WASHER 14 GA X 13/16"OD X 25/64" ID
5	NC02-32-0012	6	LOCK WASHER ZINC 3/8"
6	NC02-07-0018	6	HEX. NUT ZINC 3/8-16
7	03-42-0200	1	SPONGE RUBAN 1/4" X 3/4" X 15 3/4" LG.
8	03-50-0020	1	HANDLE
9	NC01-17-0114	4	HEX. BOLT GR2 ZINC 3/8-16 X 1"

**AGRIMETAL****HANDLE & MOTOR GUARD GROUP**

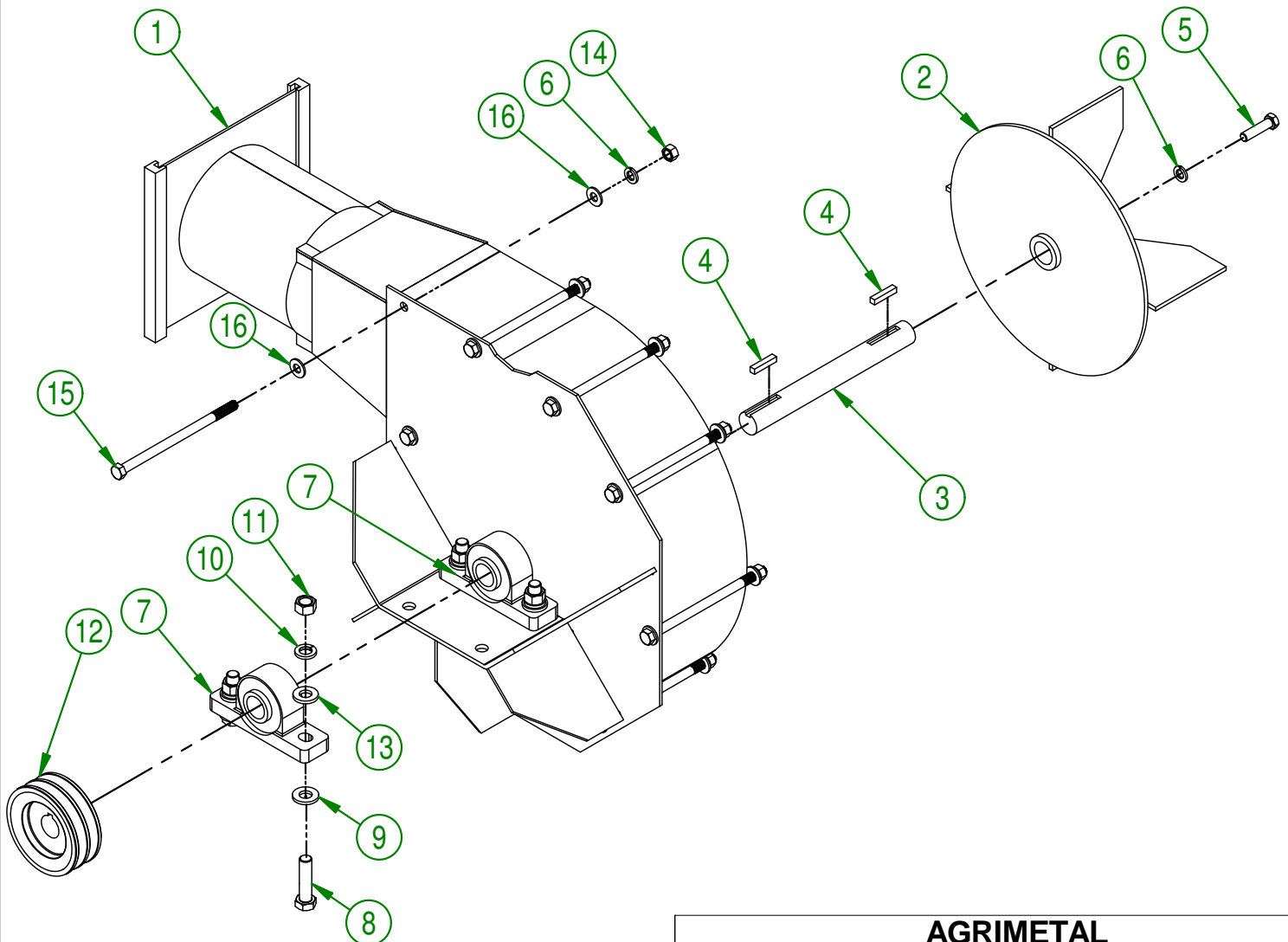
CREATION : 13/08/18
 REVISION : 13/08/18

ASSEMBLY : **03-57-0347**

AUTHOR : F.HÉLIE

Page 11 de 28

#	PART #	Qty	TITLE
1	03-50-0030	1	BLOWER HOUSING
2	03-50-0025	1	IMPELLER
3	03-20-0100	1	IMPELLER SHAFT
4	01-41-0910	2	KEY WAY
5	NC01-17-0116	1	HEX. BOLT GR2 ZINC 3/8-16 X 1 1/2"
6	NC02-32-0012	10	LOCK WASHER ZINC 3/8"
7	03-38-0000	2	PILLOW BLOCK UCP205-16 X 1" ID
8	NC01-17-0251	4	HEX. BOLT GR2 ZINC 1/2-13 X 2"
9	NC02-25-0011	4	WASHER SAE ZINC 17/32 ID
10	NC02-32-0014	4	LOCK WASHER ZINC 1/2"
11	NC02-07-0020	4	HEX. NUT ZINC 1/2-13
12	03-39-0155	1	PULLEY 2MA40 X 1" KW 1/4" 2SET SREW 5/16-18
13	01-01-0925	4	WASHER
14	NC02-07-0018	9	HEX. NUT ZINC 3/8-16
15	NC01-17-0136	9	HEX. BOLT GR2 NC.ZINC 3/8-16 X 6 1/2"
16	01-01-2485	18	FLAT WASHER 14 GA X Ø13/16" X Ø25/64"



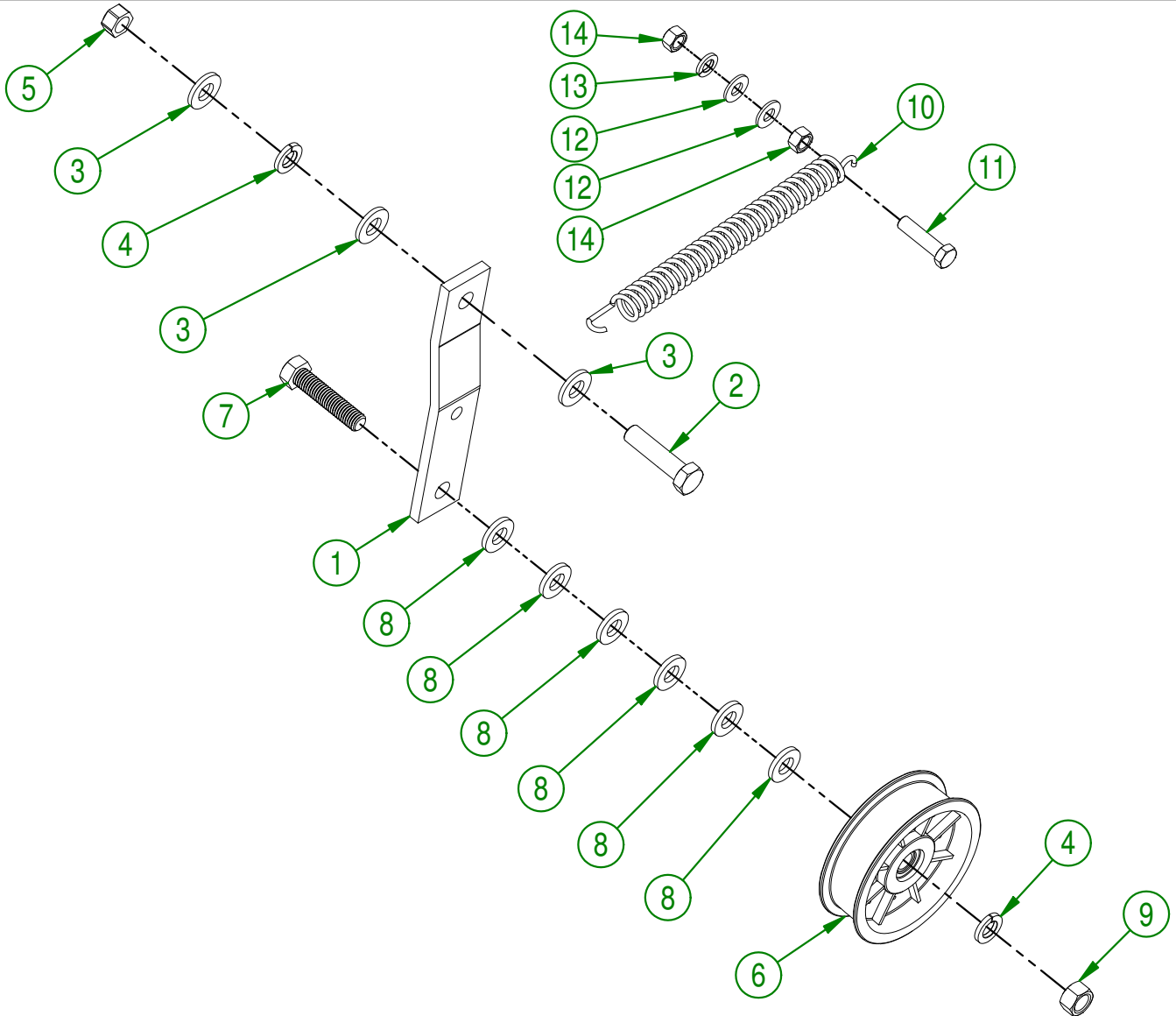
AGRIMETAL
IMPELLER GROUP

CREATION : 06/06/18
 REVISION : 13/08/18

ASSEMBLY : **03-57-0215**

AUTHOR : F.HÉLIE Page 12 de 28

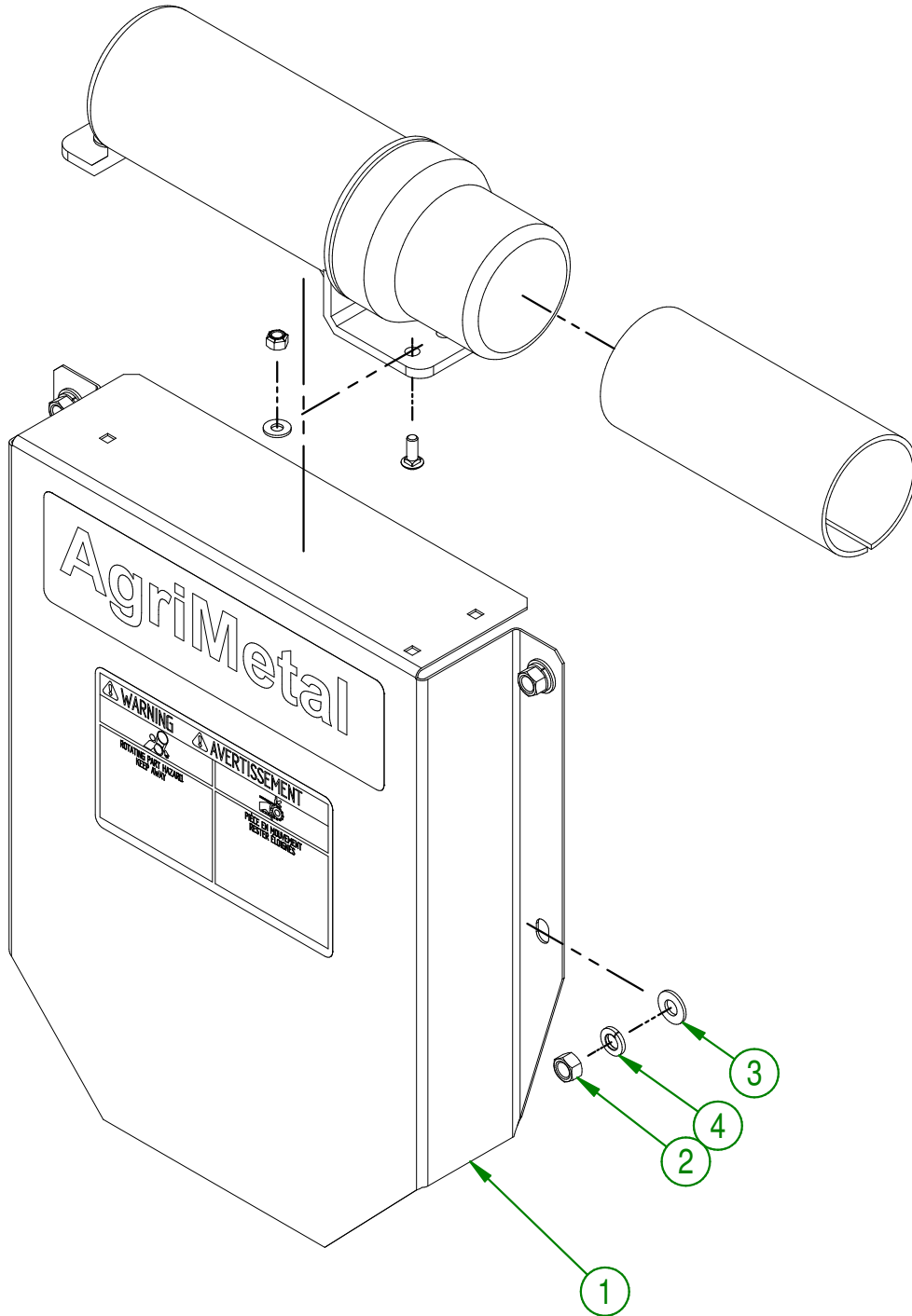
#	PART #	Qty	TITLE
1	03-05-1500	1	BLOWER BELT TIGHTENER
2	NC01-17-0251	1	HEX. BOLT GR2 ZINC 1/2-13 X 2"
3	NC02-25-0011	3	WASHER SAE ZINC 17/32 ID
4	NC02-32-0014	2	LOCK WASHER ZINC 1/2"
5	NC01-96-0014	1	NYLON-INSERT LOCKNUT ZINC 1/2-13
6	03-39-0600	1	IDLER PULLEY PI-400 Ø4"
7	NC01-17-0252	1	HEX. BOLT GR2 ZINC 1/2-13 X 2 1/4"
8	01-01-0925	6	WASHER
9	NC02-07-0020	1	HEX. NUT ZINC 1/2-13
10	NC13-85-0008	1	GALVANISED SPRING
11	NC01-17-0116	1	HEX. BOLT GR2 ZINC 3/8-16 X 1 1/2"
12	01-01-2485	2	FLAT WASHER 14 GA X 13/16"OD X 25/64" ID
13	NC02-32-0012	1	LOCK WASHER ZINC 3/8"
14	NC02-07-0018	2	HEX. NUT ZINC 3/8-16



AGRIMETAL	
BLOWER BELT TIGHTENER GROUP	
CREATION : 13/07/18	ASSEMBLY : 03-57-0250
REVISION : 10/09/18	AUTHOR : F.HÉLIE Page 13 de 28

03-57-0260

#	PART #	Qty	TITLE
1	03-57-0155	1	BLOWER BELT GUARD "STICKER INCLUDED"
2	NC02-07-0018	4	HEX. NUT ZINC 3/8-16
3	01-01-2485	4	FLAT WASHER 14 GA X 13/16"OD X 25/64" ID
4	NC02-32-0012	4	LOCK WASHER ZINC 3/8"



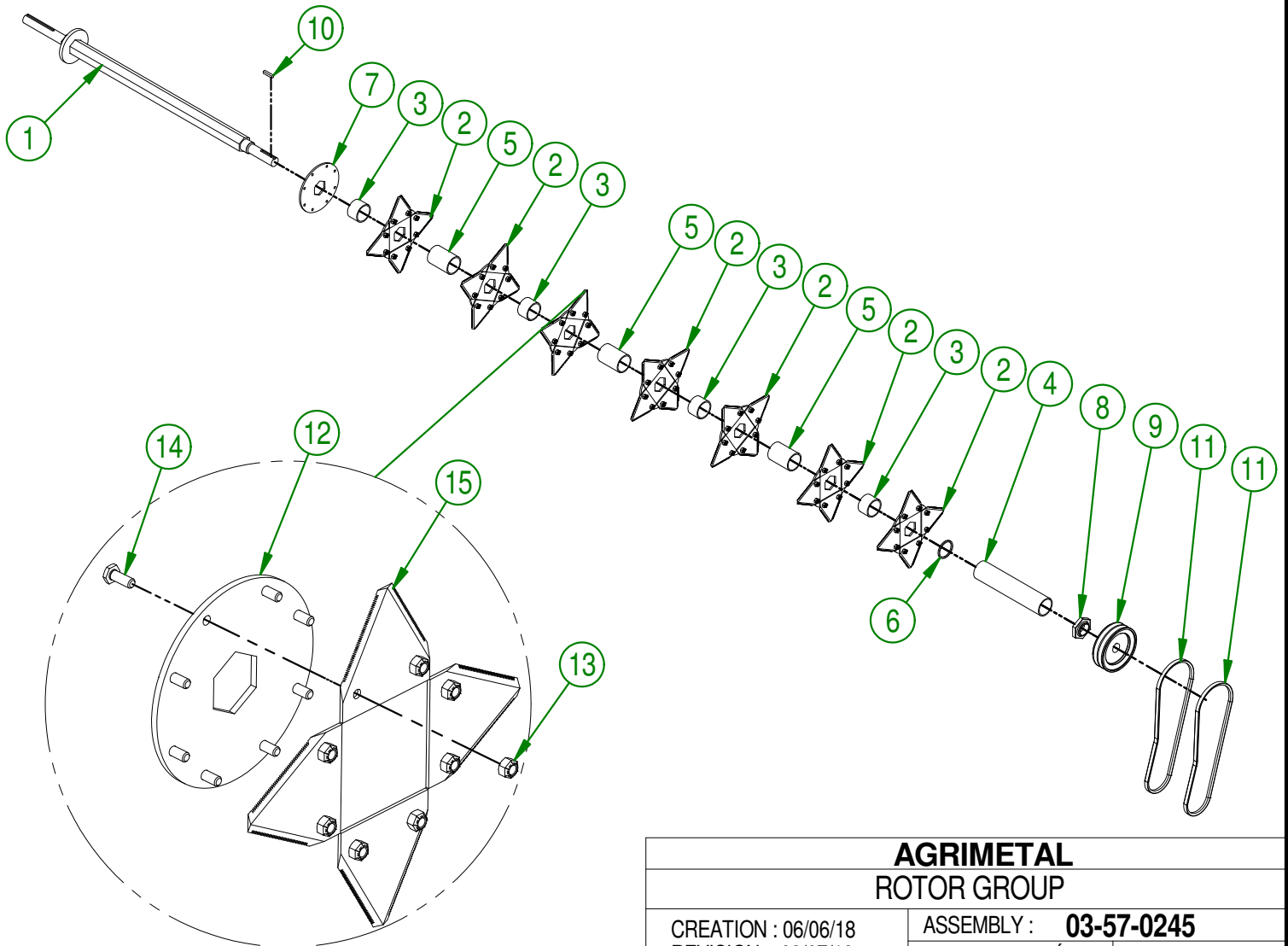
AGRIMETAL	
BLOWER BELT GUARD	
CREATION : 07/06/18	ASSEMBLY : 03-57-0260
REVISION : 02/06/21	AUTHOR : F.HÉLIE

03-57-0245

#	PART #	Qty	TITLE
1	03-50-0001	1	ROTOR HEXAGONAL SHAFT
2	01-55-0007	7	ASSY BOLTED KNIVES & WASHER
3	01-11-3520	4	ROTOR SUPPORT SHIM
4	03-11-3510	1	ROTOR SUPPORT SHIM
5	01-11-3515	3	ROTOR SUPPORT SHIM
6	01-57-0045	1	ROTOR ADJUSTMENT SUPPORT SHIM GROUP
7	03-20-0005	1	ROTOR WASHER
8	NC01-98-0021	1	HEX. BLOC NUT 1/4-18
9	03-39-0150	1	PULLEY 2MA50 X 1" DI KW 1/4 2SS
10	01-41-0910	1	KEY
11	NC14-25-0261	2	1/2 A-34 V BELT

01-55-0007

#	PART #	Qty	TITLE
12	03-20-0005	1	ROTOR WASHER
13	NC01-97-0004	8	NYLON-INSERT LOCKNUT ZINC 1/4-28
14	NC01-29-0003	8	HEX. BOLT GR5 ZINC 1/4-28 X 5/8"
15	NC13-22-0001	4	KNIFE



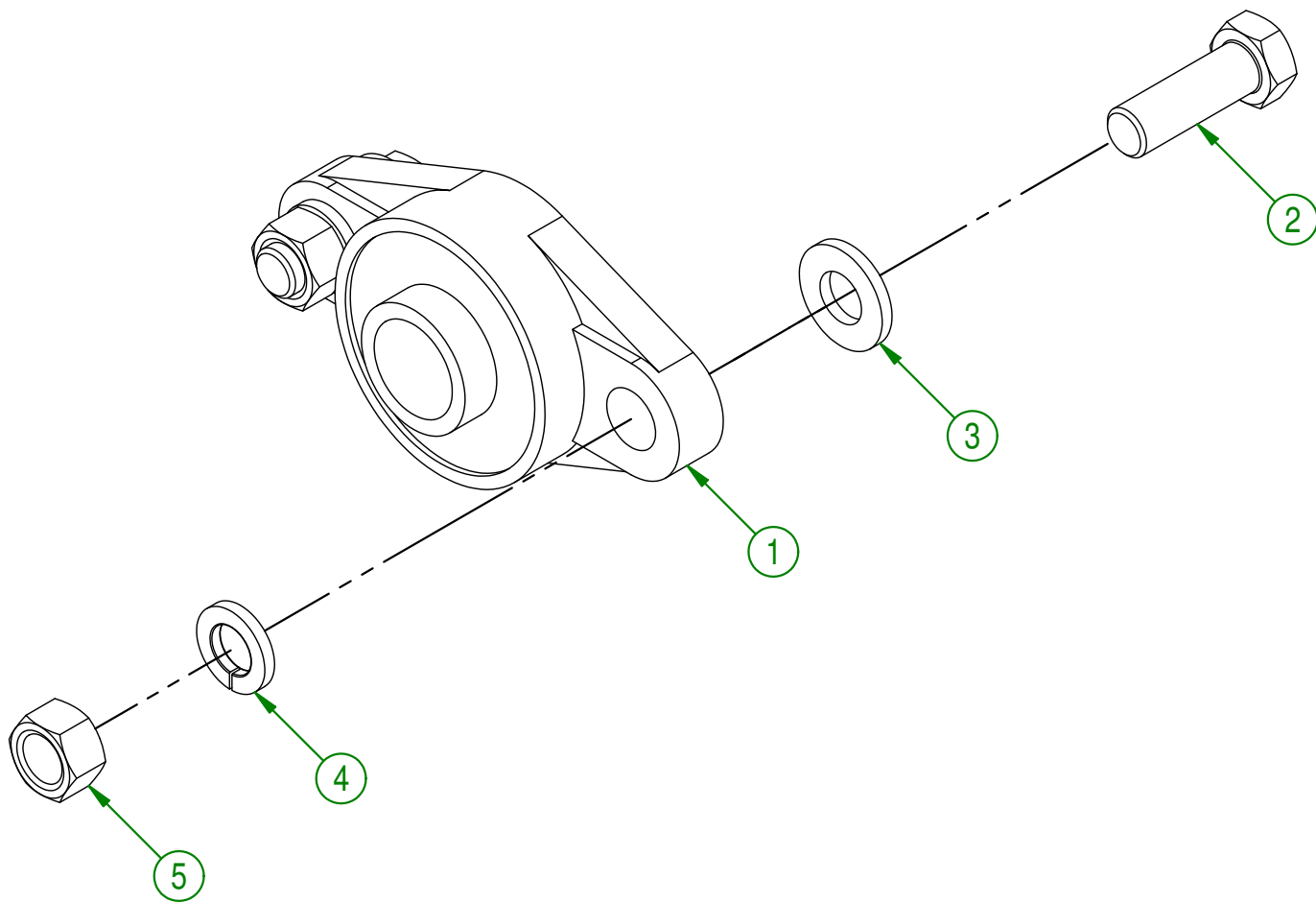
AGRIMETAL
ROTOR GROUP

CREATION : 06/06/18
REVISION : 09/07/19

ASSEMBLY : **03-57-0245**

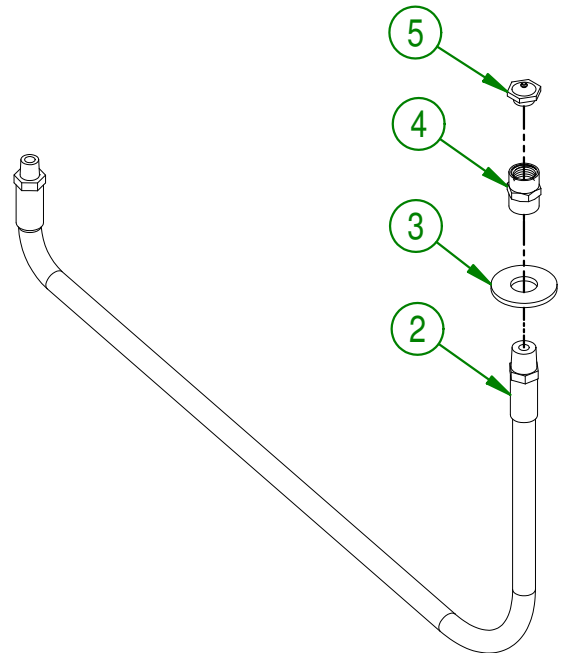
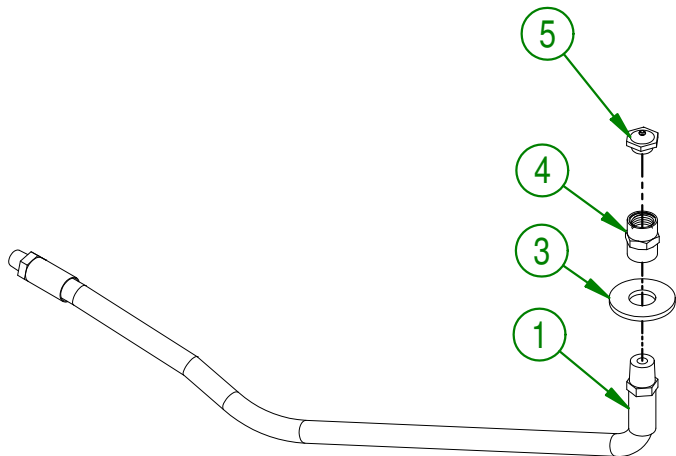
AUTHOR : F.HÉLIE Page 15 de 28

#	PART #	Qty	TITLE
1	01-38-0005	1	FLANGE PILLOW BLOCK BEARING (UCFL205-I6)
2	NC01-17-0249	2	HEX. BOLT GR2 ZINC 1/2-13 X 1 1/2"
3	NC02-25-0011	2	WASHER SAE ZINC 17/32 ID
4	NC02-32-0014	2	LOCK WASHER ZINC 1/2"
5	NC02-07-0020	2	HEX. NUT ZINC 1/2-13



AGRIMETAL	
ROTOR BEARING GROUP	
CREATION : 17/07/18	ASSEMBLY : 03-57-0235
REVISION : 08/08/18	AUTHOR : F.HÉLIE Page 16 de 28

#	PART #	Qty	TITLE
1	NC17-02-0377	1	HYD. HOSE 1/4 X 22" CUT 1/8 NPT MALE RIG. X 1/4 NPT MALE RIG.
2	NC17-02-0377	1	HYD.HOSE 1/4 X 22" CUT 1/8 NPT MALE RIG. X 1/4 NPT MALE RIG
3	NC02-22-0012	2	WASHER ZINC 1/2 BOLT = 9/16"Ø X 1 3/8" OD
4	NC13-65-0001	2	UNION 1/4" NPT X 7/8"
5	NC01-69-0798	2	GREASE FITTING 1/4" NPT X RIGHT



AGRIMETAL

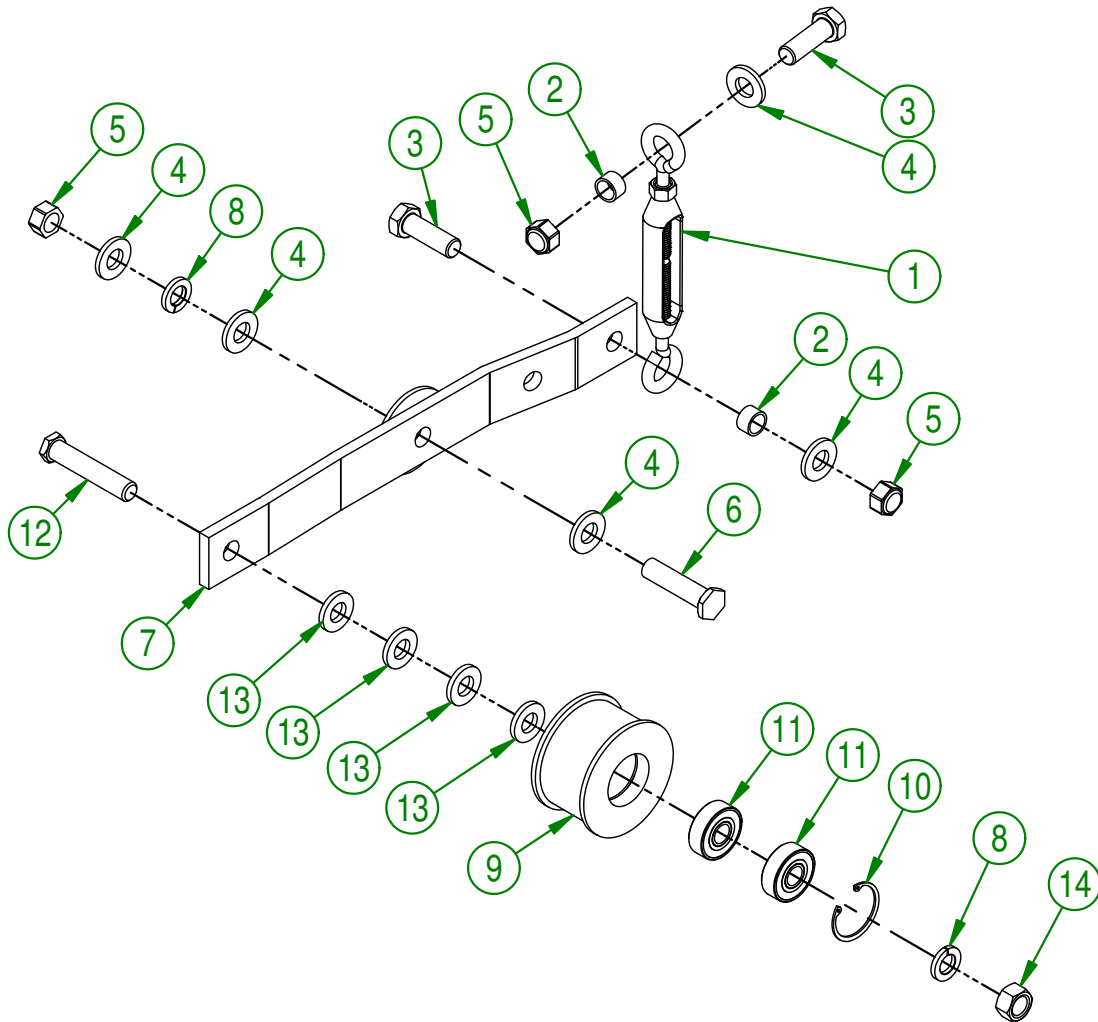
BEARING GREASE HOSE GROUP

CREATION : 17/07/18
REVISION : 08/08/18

ASSEMBLY : **03-57-0240**

AUTHOR : F.HÉLIE Page 17 de 28

#	PART #	Qty	TITLE
1	03-41-0055	1	TURNBUCKLE 3/8-16
2	NC13-80-0061	2	PAD STEEL POWDER 1/2" X 5/8" X 3/8"
3	NC01-17-0249	2	HEX. BOLT GR2 ZINC 1/2-13 X 1 1/2"
4	NC02-25-0011	5	WASHER SAE ZINC 17/32 ID
5	NC01-96-0014	3	NYLON-INSERT LOCKNUT ZINC 1/2-13
6	04-30-9950	1	SPECIAL BOLT 1/2-13 X 2" LG.
7	03-50-0010	1	ROTOR BELT TIGHTENER
8	NC02-32-0014	2	LOCK WASHER ZINC 1/2"
9	03-21-0005	1	TIGHTENER PULLEY
10	NC01-64-0142	1	SNAP RING HOLE 1 3/8"
11	03-55-0545	2	ASSEMBLY BALL BEARING
12	03-30-9950	1	SPECIAL BOLT 1/2-13 X 2 1/2" LG.
13	01-01-0925	4	WASHER
14	NC02-07-0020	1	HEX. NUT ZINC 1/2-13



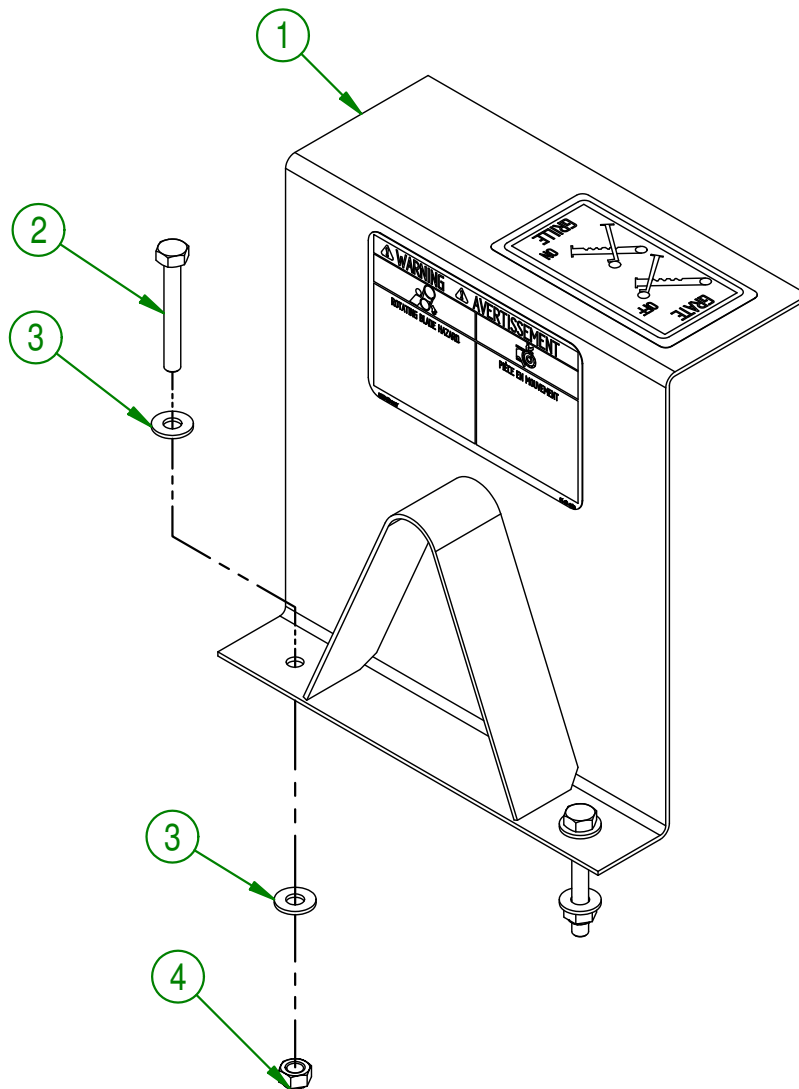
AGRIMETAL
ROTOR BELT TIGHTENER

CREATION : 11/06/18
 REVISION : 13/08/18

ASSEMBLY : **03-55-0138**

AUTHOR : F.HÉLIE Page 18 de 28

#	PART #	Qty	TITLE
1	01-57-2015	1	ROTOR BELT GUARD "STICKER INCLUDED"
2	NC01-17-0010	2	HEX. BOLT GR2 NC ZINC 1/4-20 X 2"
3	NC02-25-0007	4	WASHER ZINC 0.281 = 9/32
4	NC01-96-0009	2	NYLON-INSERT LOCKNUT ZINC 1/4-20

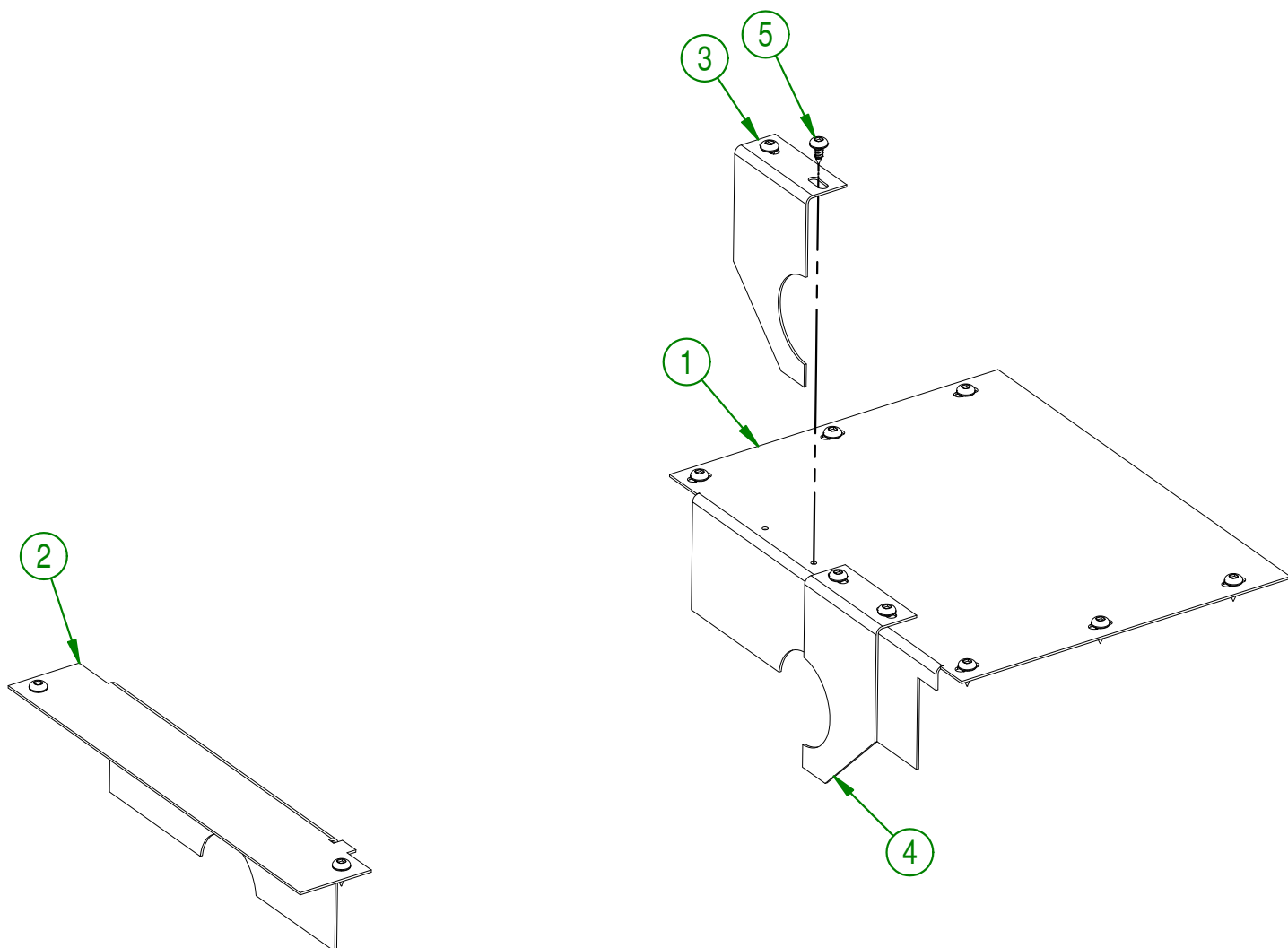
**AGRIMETAL****ROTOR BELT GUARD GROUP**

CREATION : 16/07/18
 REVISION : 08/08/18

ASSEMBLY : **03-57-0320**

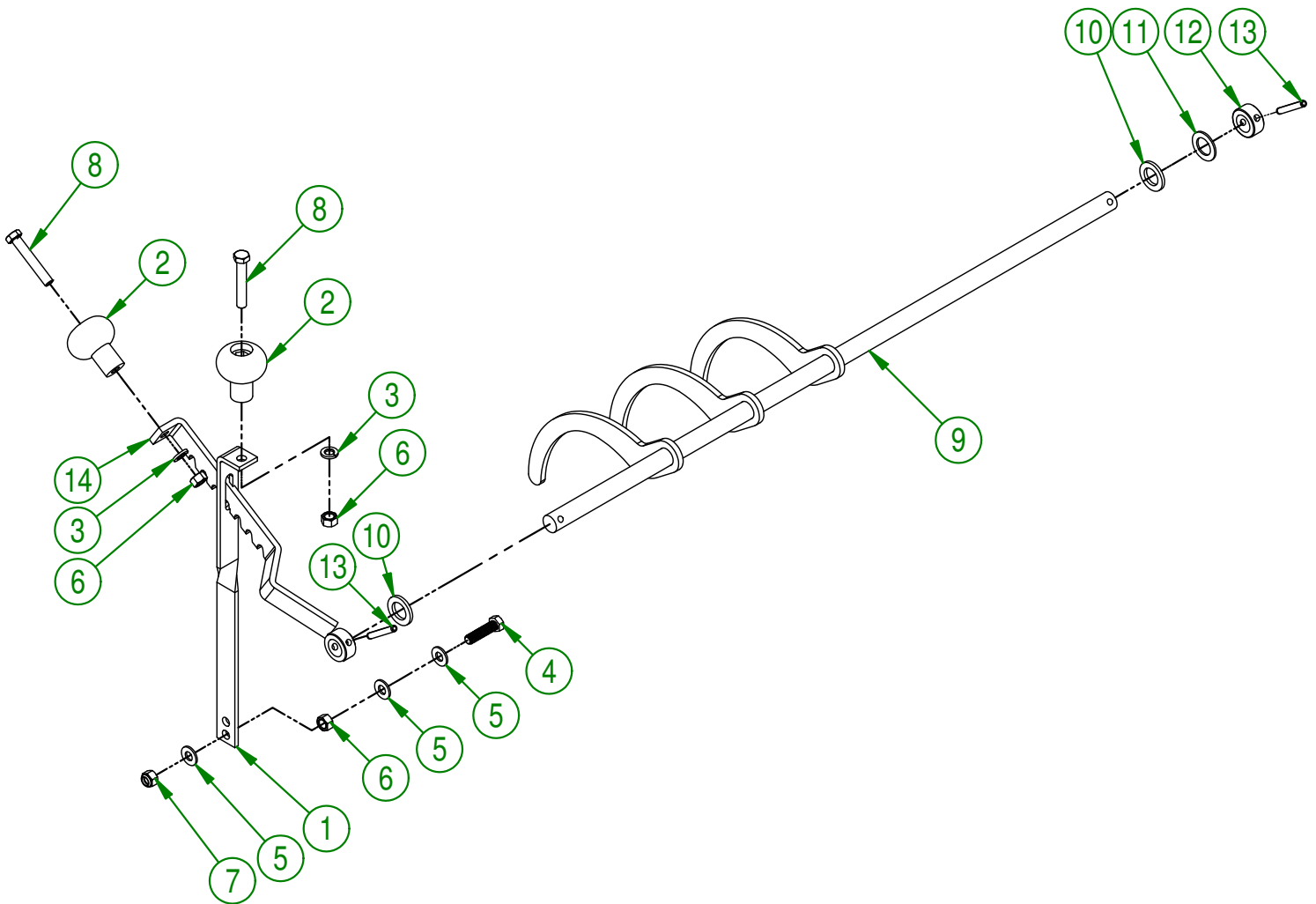
AUTHOR : F.HÉLIE | Page 19 de 28

#	PART #	Qty	TITLE
1	03-03-4200	1	ROTOR ACCESS DOOR
2	03-03-4205	1	ROTOR BEARING SHIELD
3	03-03-4215	1	LEFT ROTOR SHIELD
4	03-03-4220	1	RIGHT ROTOR SHIELD
5	NC02-42-0084	12	METAL SCREW PAN HEAD #12 X 1/2"



AGRIMETAL	
ROTOR PROTECTOR GROUP	
CREATION : 16/07/18	ASSEMBLY : 03-57-0265
REVISION : 08/08/18	AUTHOR : F.HÉLIE Page 20 de 28

#	PART #	Qty	TITLE																												
1	01-04-0500	1	ADJUSTABLE ARM																												
2	NC17-46-0018	2	HANDLE KNOB																												
3	NC02-32-0012	2	LOCK WASHER ZINC 3/8"																												
4	NC01-15-0116	1	HEX BOLT. GR2 NC F.L. Z 3/8-16 X 1-1/2																												
5	01-01-2485	3	FLAT WASHER 14 GA X 13/16"OD X 25/64" ID																												
6	NC02-07-0018	3	HEX. NUT ZINC 3/8-16																												
7	NC01-96-0011	1	NYLON NUT 3/8-16	8	NC01-17-0119	2	HEX. BOLT GR2 ZINC 3/8-16 X 2 1/4"	9	03-50-0005	1	GRILL (3 FINGERS)	10	01-33-0035	2	FLAT WASHER \varnothing 1 1/4" X \varnothing 49/64" X 10 GA.	11	01-33-0036	1	FLAT WASHER \varnothing 1 1/4" X \varnothing 3/4" X 14 GA.	12	03-41-0001	1	COLLAR \varnothing 3/4"	13	NC01-69-0463	2	SPRING PIN 1/4" X 1 3/4"	14	01-50-0025	1	TEETH ARM
8	NC01-17-0119	2	HEX. BOLT GR2 ZINC 3/8-16 X 2 1/4"																												
9	03-50-0005	1	GRILL (3 FINGERS)																												
10	01-33-0035	2	FLAT WASHER \varnothing 1 1/4" X \varnothing 49/64" X 10 GA.																												
11	01-33-0036	1	FLAT WASHER \varnothing 1 1/4" X \varnothing 3/4" X 14 GA.																												
12	03-41-0001	1	COLLAR \varnothing 3/4"																												
13	NC01-69-0463	2	SPRING PIN 1/4" X 1 3/4"																												
14	01-50-0025	1	TEETH ARM																												

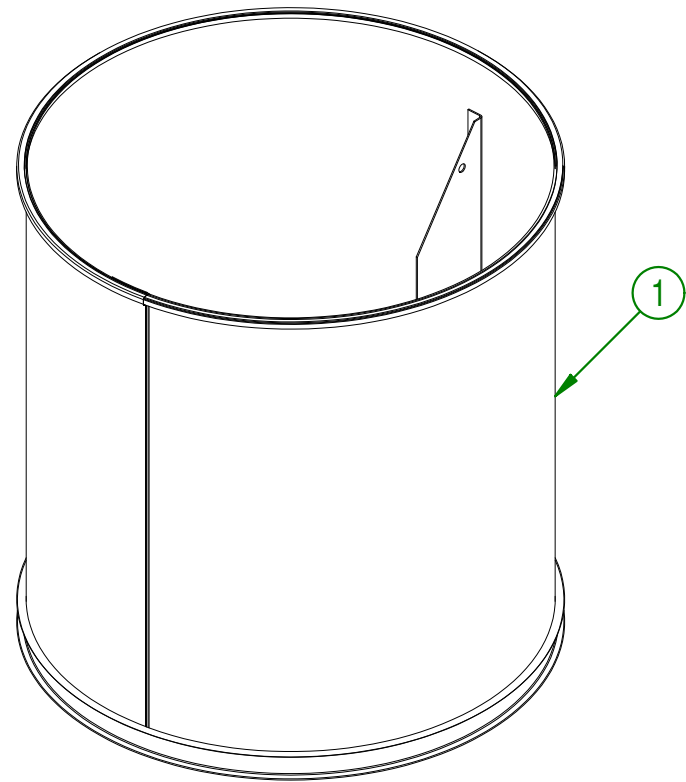
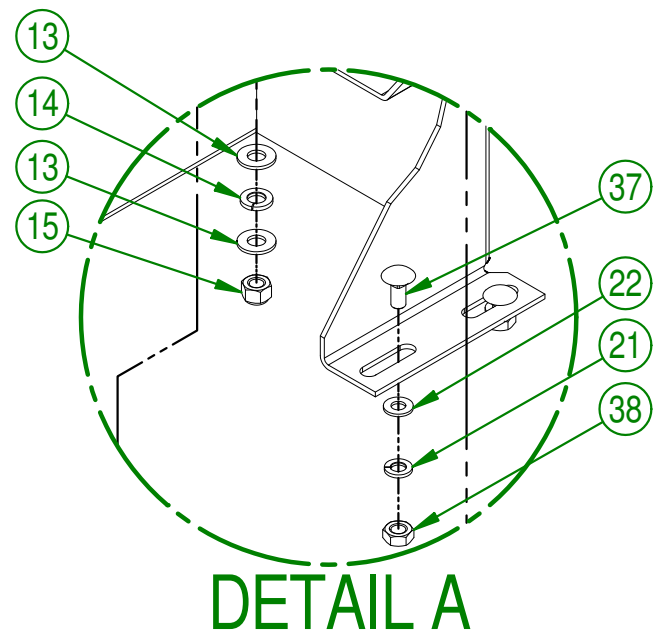
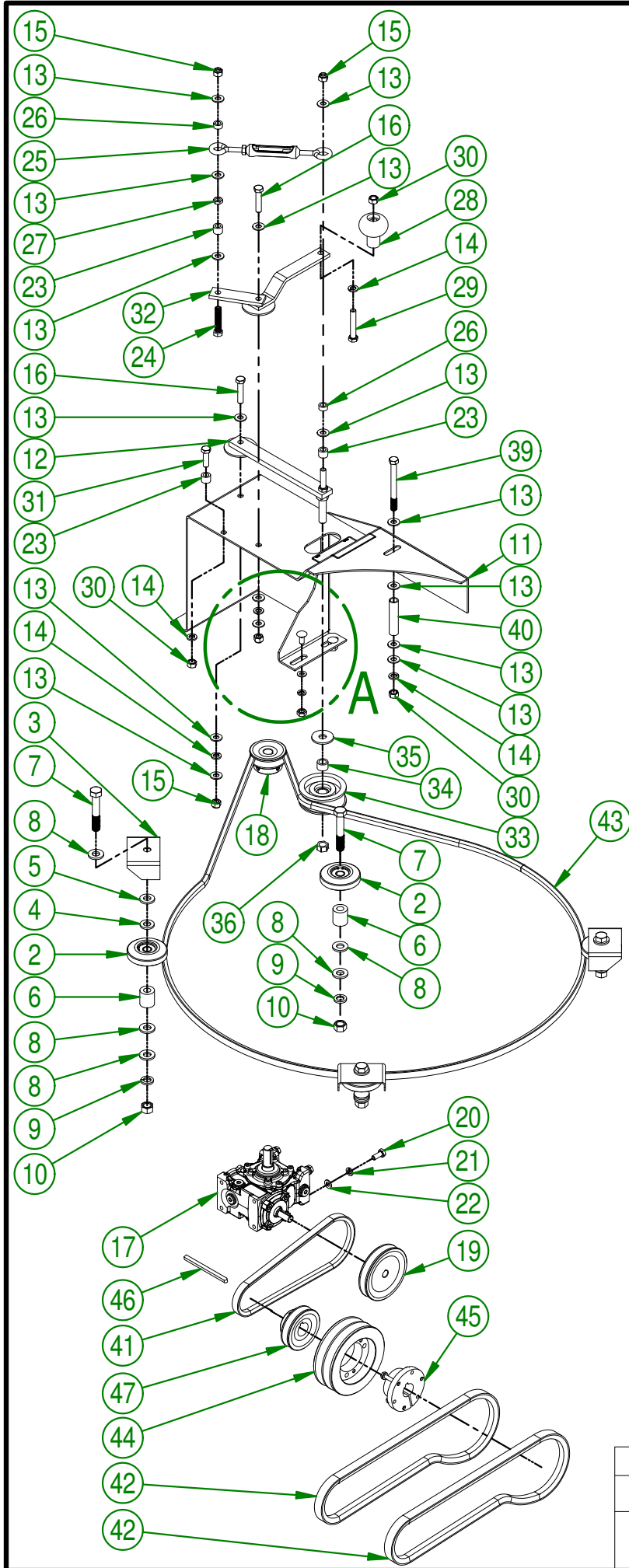


AGRIMETAL
GRILL GROUP

CREATION : 07/06/18
REVISION : 10/09/18

ASSEMBLY : **03-57-0255**

AUTHOR : F.HÉLIE | Page 21 de 28

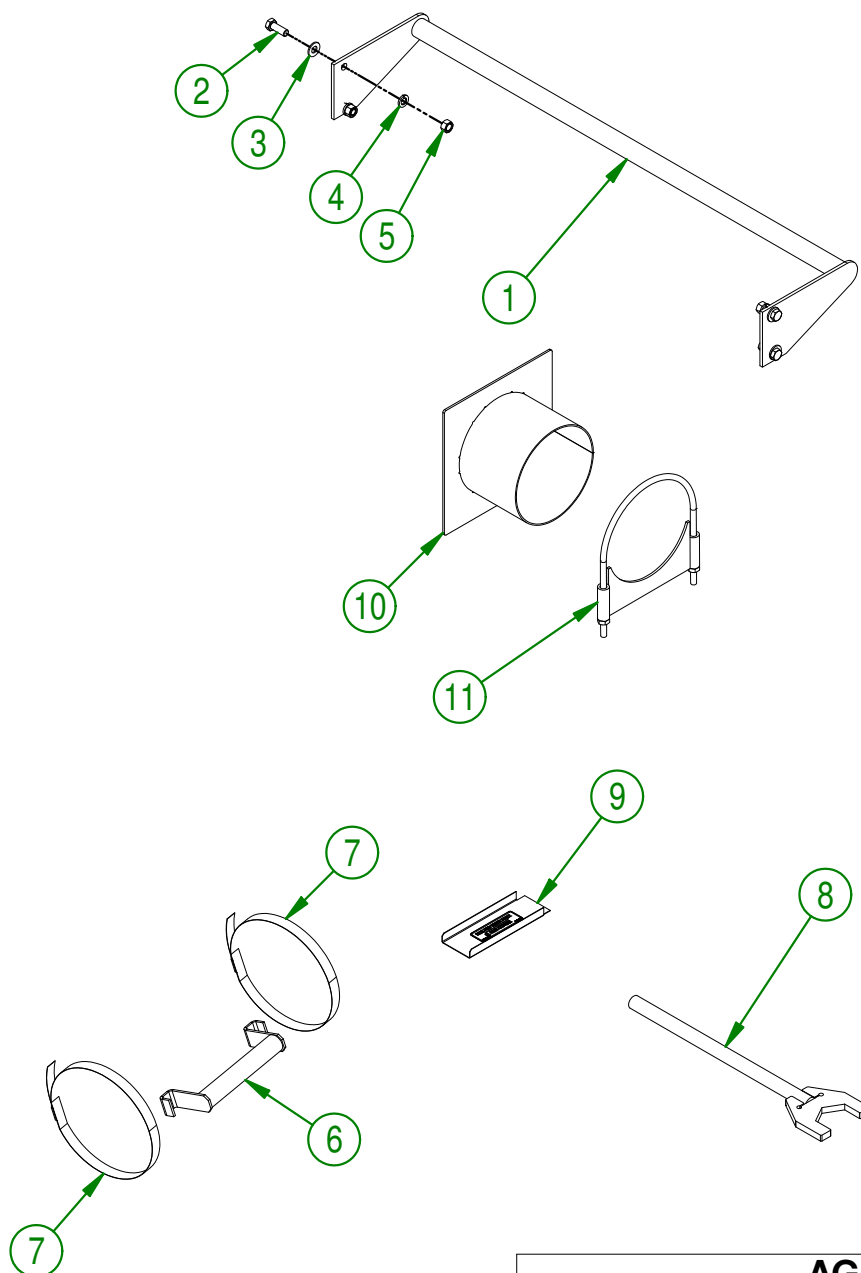


AGRIMETAL	
SPEED REDUCER BOX GROUP	
CREATION : 10/09/18	ASSEMBLY : 03-57-0504
REVISION : 12/09/18	AUTHOR : F.HÉLIE Page 22 de 28

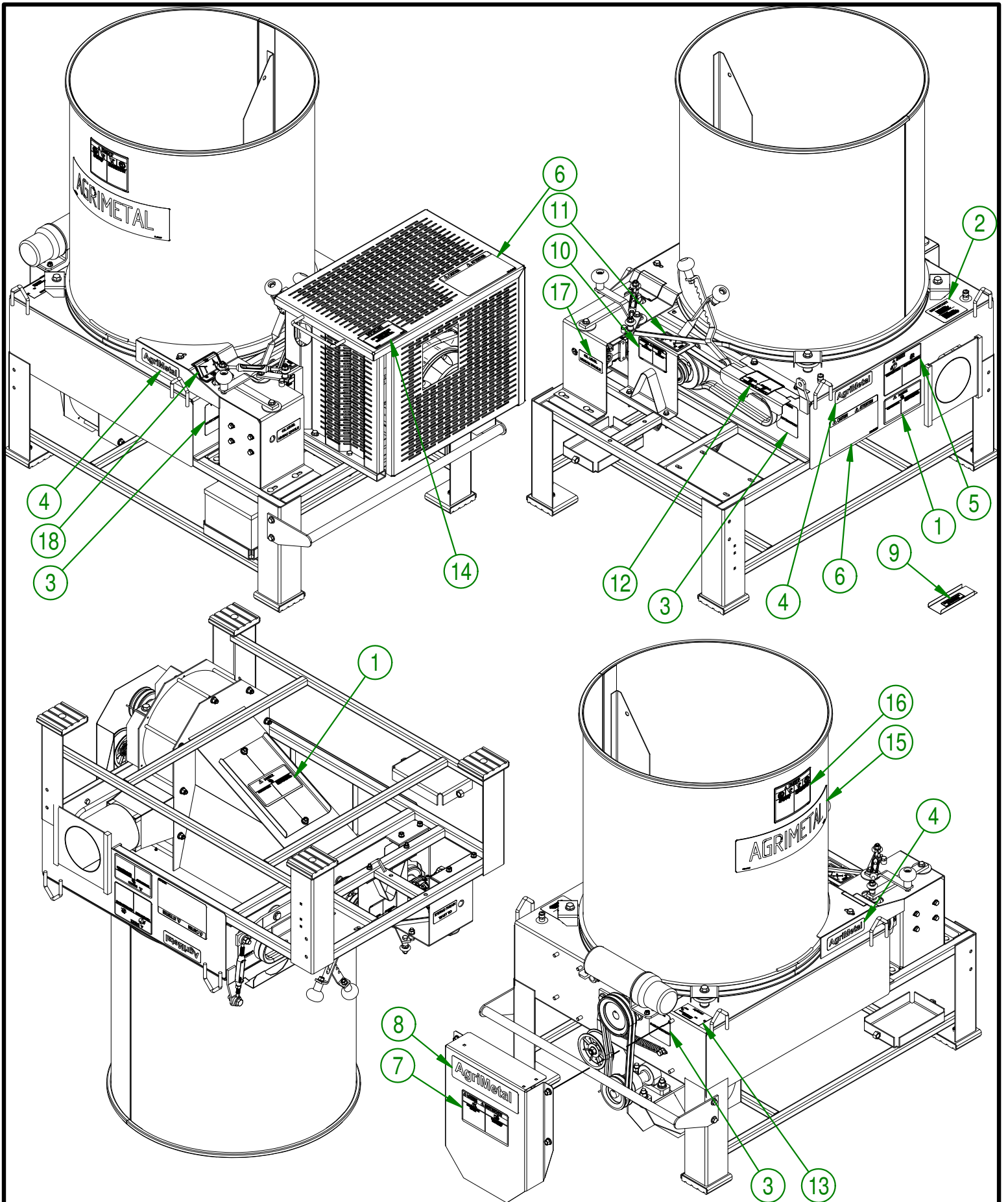
#	PART #	QTY	TITLE
1	01-57-0056	1	ROUND TUB "STICKER INCLUDED"
2	01-38-0016	4	PLASTIC WHEEL
3	01-01-2415	3	TUBE BEARING GUARD
4	03-01-7515	3	WASHER
5	01-01-0925	3	WASHER
6	01-09-0105	4	WHEELS BUSHING
7	NC01-17-0255	4	HEX. BOLT GR2 ZINC 1/2-13 X 3"
8	NC02-25-0011	11	WASHER SAE ZINC 17/32 ID
9	NC02-32-0014	4	LOCK WASHER ZINC 1/2"
10	NC02-07-0020	4	HEX. NUT ZINC 1/2-13
11	01-57-0079	1	SPEED REDUCER BOX "STICKER INCLUDED"
12	01-50-0045	1	BELT TIGHTENER
13	01-01-2485	15	FLAT WASHER 14 GA X 13/16"OD X 25/64" ID
14	NC02-32-0012	5	LOCK WASHER ZINC 3/8"
15	NC01-96-0011	4	NYLON NUT 3/8-16
16	NC01-17-0117	2	HEX. BOLT GR2 ZINC 3/8-16 X 1 3/4"
17	NC14-10-0012	1	SPEED REDUCER BH40-L 10:1
18	NC14-62-0027	1	PULLEY MA 25 X Ø5/8" KW 3/16" 2SS
19	03-39-0005	1	SPECIAL PULLEY MA40 Ø 1/2"
20	NC01-45-0184	4	HEX. BOLT GR8.8 ZINC 8MM X 20MM
21	NC02-32-0011	8	LOCK WASHER ZINC 5/16"
22	NC02-22-0008	8	WASHER ZINC 5/16"
23	01-09-0000	3	BEARING RACE (UCFL205-16)
24	NC01-15-0118	1	HEX BOLT GR2 3/8-16 X 2" LG.
25	01-41-0055	1	TURNBUCKLE 5/16-18
26	01-09-0005	2	BUSHING
27	NC02-01-0003	1	HEX NUT (THIN) 3/8-16
28	NC17-46-0018	1	HANDLE KNOB
29	NC01-17-0119	1	HEX. BOLT GR2 ZINC 3/8-16 X 2 1/4"
30	NC02-07-0018	3	HEX. NUT ZINC 3/8-16
31	NC01-17-0115	1	HEX. BOLT GR2 ZINC 3/8-16 X 1 1/4"
32	01-50-0050	1	TUB ARM CONTROL
33	01-39-0600	1	IDLER PULLEY PI-300 ASSY
34	01-09-0100	1	BUSHING
35	01-01-1660	1	WASHER SPACER
36	NC01-96-0014	1	NYLON-INSERT LOCKNUT ZINC 1/2-13
37	NC01-04-0056	4	CARR. BOLT 5/16-18 X3/4"
38	NC02-07-0017	4	HEX. NUT 5/16-18
39	NC01-17-0126	1	HEX. BOLT GR2 NC ZINC 3/8-16 X4
40	01-11-2500	1	BUSHING Ø5/8" X 14GA X 2 3/4" LG.
41	NC14-25-0083	1	BELT 1/2" 4L270 (A-25)
42	NC14-25-0187	2	BELT 5/8" 5L400 (B-37)
43	NC14-25-0328	1	V BELT 1/2" (A-105)
44	NC14-62-0087	1	CAST IRON SHAVE PULLEY 2B48 SDS

#	PART #	QTY	TITLE
45	NC14-62-0009	1	TAPERED QD BUSHING SDS 1"
46	03-41-0010	1	SQUARE KEY 1/4" X 1/4" X 4" LG.
47	NC14-62-0031	1	PULLEY MA30 X Ø1" KW 1/4" 2SS 5/16-18

#	PART #	Qty	TITLE
1	03-50-0020	1	HANDLE
2	NC01-17-0114	4	HEX. BOLT GR2 ZINC 3/8-16 X 1"
3	01-01-2485	4	FLAT WASHER 14 GA X 13/16"OD X 25/64" ID
4	NC02-32-0012	4	LOCK WASHER ZINC 3/8"
5	NC02-07-0018	4	HEX. NUT ZINC 3/8-16
6	03-50-0070	1	FLEXIBLE HOSE HANDLE
7	03-41-0100	2	HOSE CLAMP (HAS 116) Ø7 3/4"
8	01-50-0100	1	ROTOR WRENCH
9	01-55-0030	1	DRAIN OIL SLAB "STICKER INCLUDED"
10	03-50-0090	1	OUTLET QUICK DISCONNECT
11	03-55-0020	1	COLLAR COMPL.



AGRIMETAL	
ACCESSORIES GROUP	
CREATION : 07/08/18	ASSEMBLY : 03-57-0345
REVISION : 13/08/18	AUTHOR : F.HÉLIE Page 25 de 28



AGRIMETAL	
STRAW MULCHERS (GA-130-S-LS)	
CREATION : 08/08/18	ASSEMBLY : 03-99-0015
REVISION : 10/10/18	AUTHOR : F.HÉLIE Page 27 de 28

#	PART #	Qty	TITLE
1	NC13-33-0112	2	STICKER DANGER
2	NC13-33-0151	1	STICKER (IMPORTANT TO PREVENT ENGINE FAILURE...)
3	NC13-33-0009	3	SITCKER WARNING
4	NC13-33-0002	2	STICKER AGRIMETAL
5	NC13-33-0110	1	STICKER DANGER
6	NC13-33-0108	2	STICKER CAUTION
7	NC13-33-0018	1	STICKER WARNING
8	NC13-33-0035	1	STICKER AGRIMETAL
9	NC13-33-0023	1	STICKER OIL DRAIN EXTENSION
10	NC13-33-0017	1	STICKER WARNING
11	NC13-33-0014	1	STICKER GRATE OFF ON
12	NC13-33-0017	1	STICKER WARNING
13	25-55-0710	1	SERIAL NUMBER PLATE
14	NC13-33-0025	1	STICKER "CAUTION USE THE DISCHARGE..."
15	NC13-33-0001	1	STICKER AGRIMETAL
16	NC13-33-0127	1	STICKER DANGER TUB ROTOR HAZARD
17	NC13-33-0003	1	STICKER OIL LEVEL
18	NC13-33-0013	1	STICKER TUB OFF/ON

AGRIMETAL**STRAW MULCHERS (GA-130-S-LS)**

CREATION : 08/08/18
 REVISION : 10/10/18

ASSEMBLY : **03-99-0015**

AUTHOR : F.HÉLIE Page 28 de 28