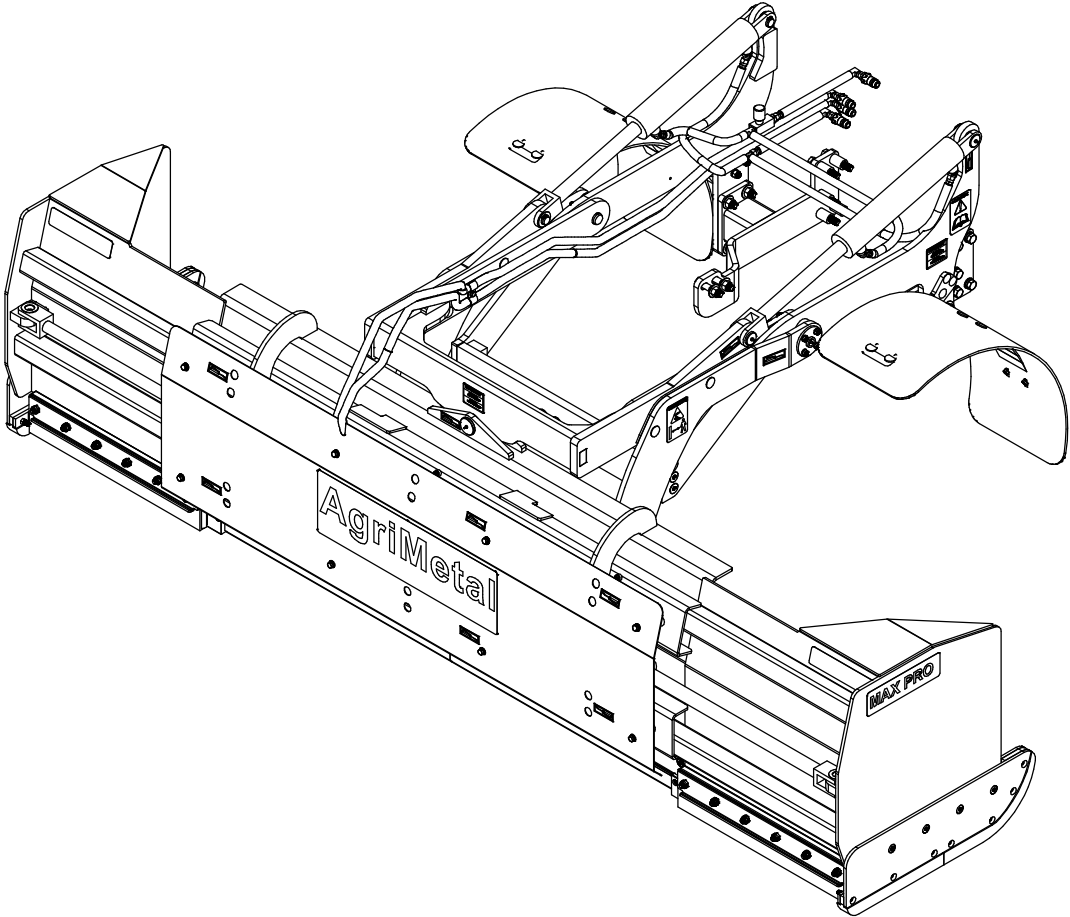


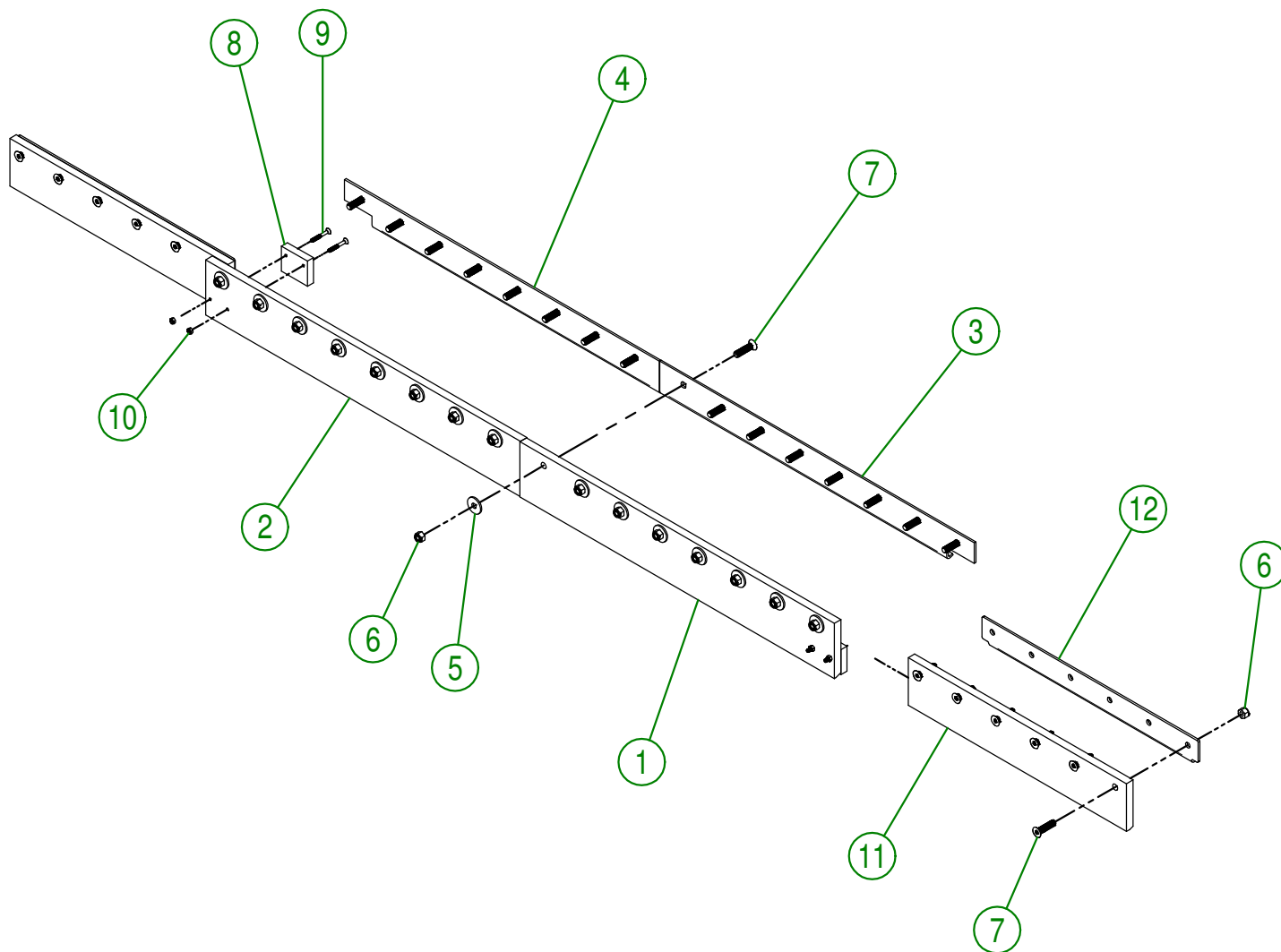
# AgriMetal

## PARTS LIST



**MAX-PRO 6-10 B (CASE 55C CVT)**

| #  | PART #       | Qty | TITLE                                            |
|----|--------------|-----|--------------------------------------------------|
| 1  | 92-42-0003   | 1   | INSIDE RUBBER KNIFE (RIGHT)                      |
| 2  | 92-42-0000   | 1   | INSIDE RUBBER KNIFE (LEFT)                       |
| 3  | 92-04-0021   | 1   | KNIFE BRACE (RIGHT)                              |
| 4  | 92-04-0024   | 1   | KNIFE BRACE (LEFT)                               |
| 5  | 91-20-0150   | 16  | WASHER                                           |
| 6  | NC01-96-0014 | 28  | NYLON INSERT LOCKNUT 1/2-13"                     |
| 7  | NC02-48-0548 | 28  | FLAT HEAD SOCKET CAP SCREW STAINLESS 1/2-13 X 2" |
| 8  | 92-42-0121   | 2   | SNOW GUARD                                       |
| 9  | NC02-48-0582 | 4   | FLAT HEAD SOCKET CAP SCREW STAINLESS 1/4-20 X 2" |
| 10 | NC01-96-0009 | 4   | NYLON-INSERT LOCKNUT ZINC 1/4-20                 |
| 11 | 92-42-0005   | 2   | OUTSIDE RUBBER KNIFE                             |
| 12 | 92-04-0016   | 2   | KNIFE BRACE (OUTSIDE)                            |



**AGRIMETAL**  
**RUBBER KNIFE GROUP**

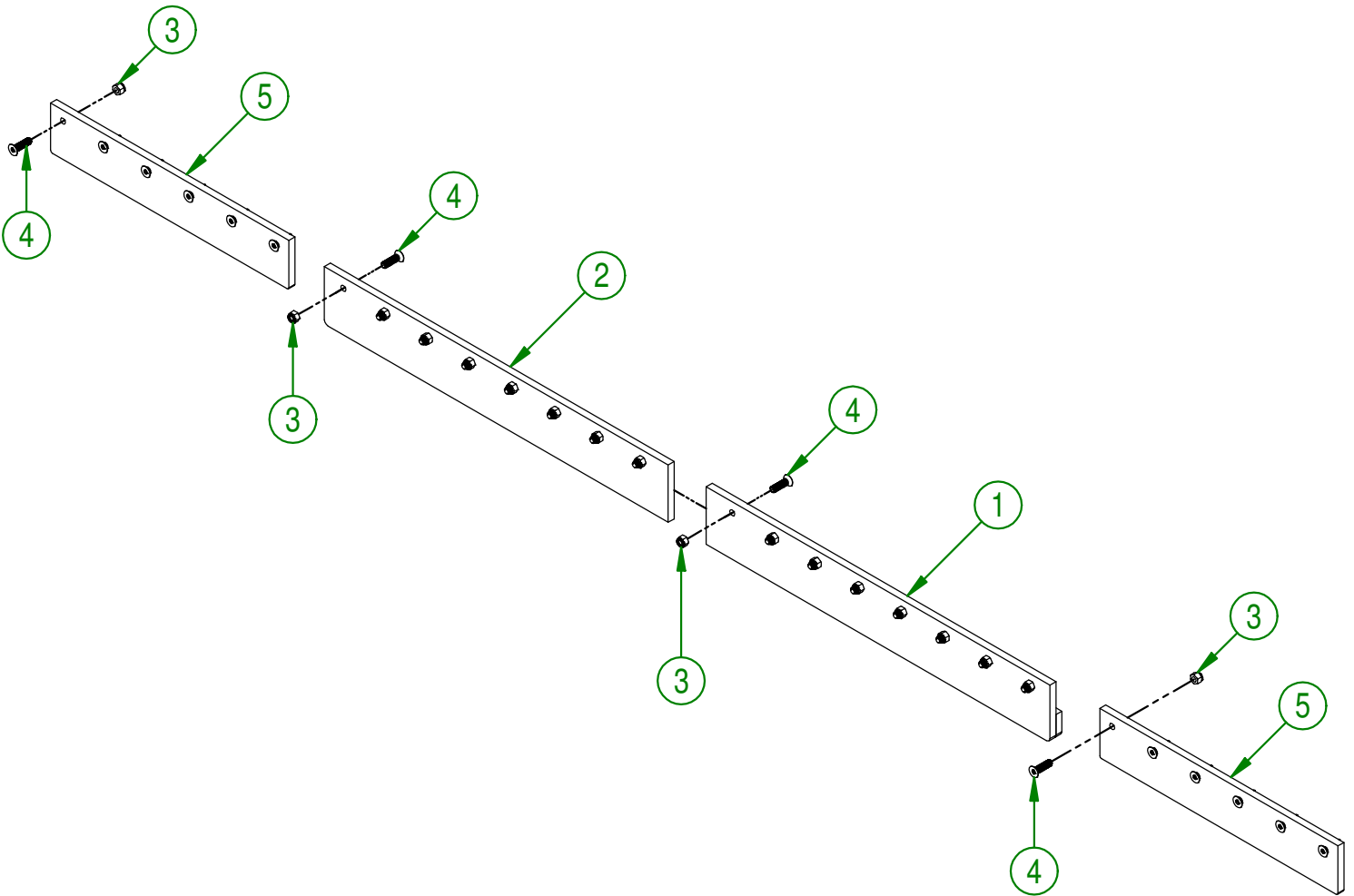
CREATION : 09/05/17  
 REVISION : 29/12/17

ASSEMBLY : **92-57-0195**

AUTHOR : J. Houle

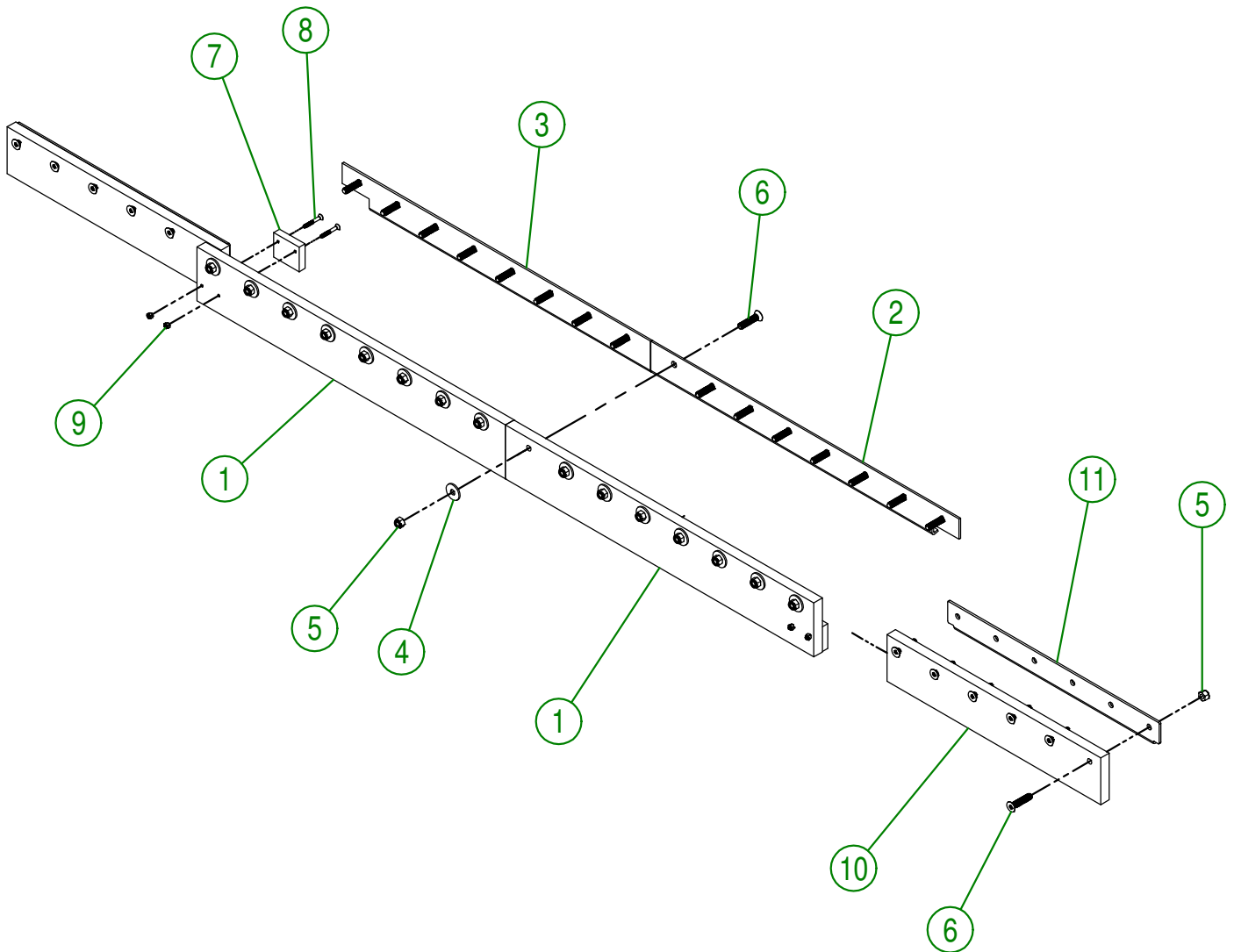
Page 1 de 13

| # | PART #       | Qty | TITLE                                               |
|---|--------------|-----|-----------------------------------------------------|
| 1 | 92-50-0052   | 1   | RIGHT CENTER KNIFE                                  |
| 2 | 92-50-0057   | 1   | LEFT CENTER KNIFE                                   |
| 3 | NC01-96-0014 | 28  | NYLON INSERT LOCKNUT 1/2-13"                        |
| 4 | NC02-48-0547 | 28  | FLAT HEAD SOCKET CAP SCREW STAINLESS 1/2-13 X 1 3/4 |
| 5 | 92-20-0379   | 2   | KNIFE SIDE QT 400                                   |

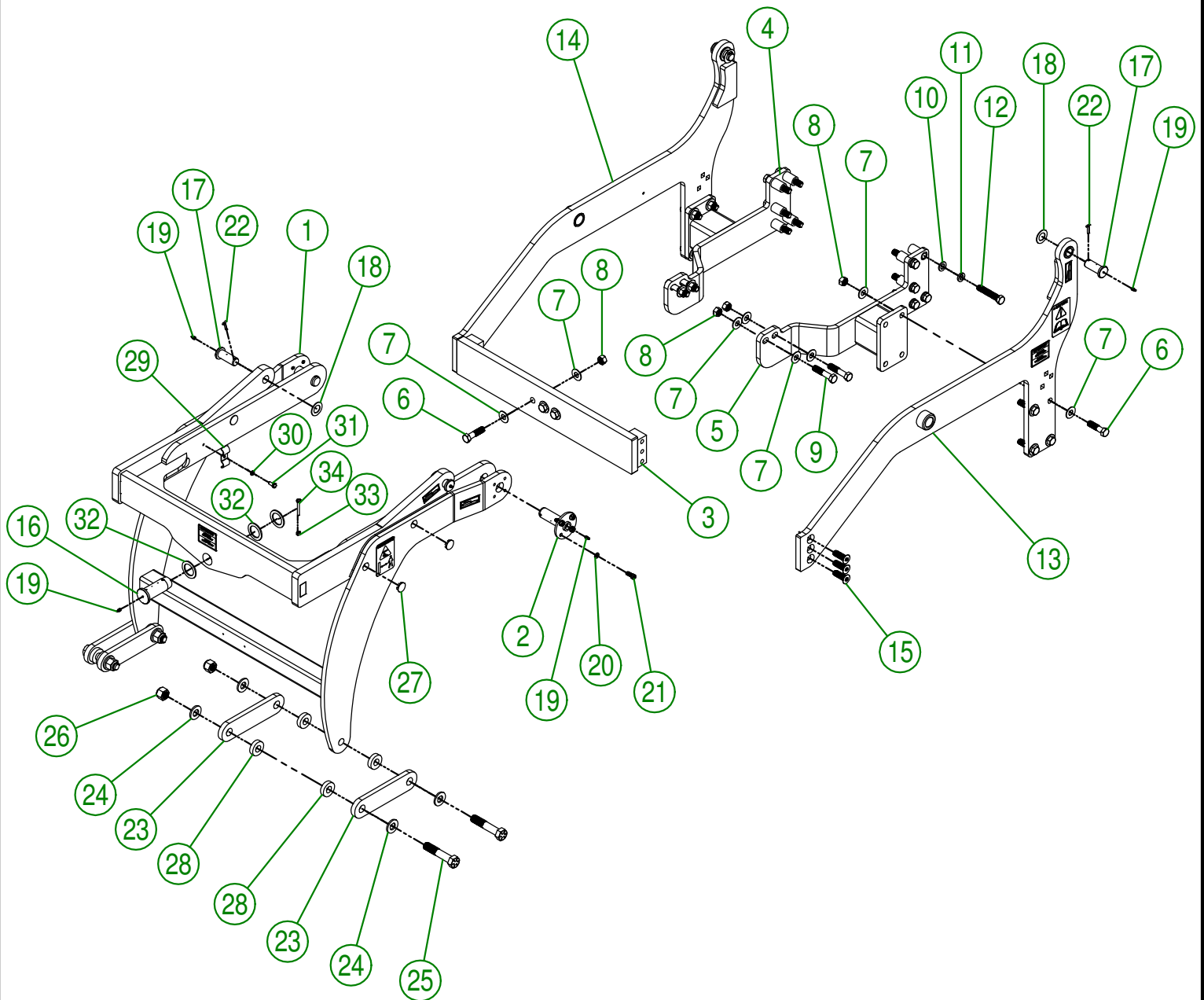


|                       |               |              |  |
|-----------------------|---------------|--------------|--|
| <b>AGRIMETAL</b>      |               |              |  |
| <b>QT KNIFE GROUP</b> |               |              |  |
| CREATION : 09/05/17   | ASSEMBLY :    | 92-57-0201   |  |
| REVISION : 29/12/17   | AUTHOR : J.H. | Page 2 de 13 |  |

| #  | PART #       | Qty | TITLE                                                |
|----|--------------|-----|------------------------------------------------------|
| 1  | 92-42-0133   | 2   | INSIDE KNIFE (UHMW)                                  |
| 2  | 92-04-0021   | 1   | KNIFE BRACE (RIGHT)                                  |
| 3  | 92-04-0024   | 1   | KNIFE BRACE (LEFT)                                   |
| 4  | 91-20-0150   | 16  | WASHER                                               |
| 5  | NC01-96-0014 | 28  | NYLON INSERT LOCKNUT 1/2-13"                         |
| 6  | NC02-48-0549 | 28  | STAINLESS FLAT HEAD SOCKET CAP SCREW 1/2-13 X 2 1/4" |
| 7  | 92-42-0121   | 2   | SNOW GUARD                                           |
| 8  | NC02-48-0582 | 4   | FLAT HEAD SOCKET CAP SCREW STAINLESS 1/4-20 X 2"     |
| 9  | NC01-96-0009 | 4   | NYLON-INSERT LOCKNUT ZINC 1/4-20                     |
| 10 | 92-42-0149   | 2   | OUTSIDE KNIFE (UHMW)                                 |
| 11 | 92-04-0016   | 2   | KNIFE BRACE (OUTSIDE)                                |



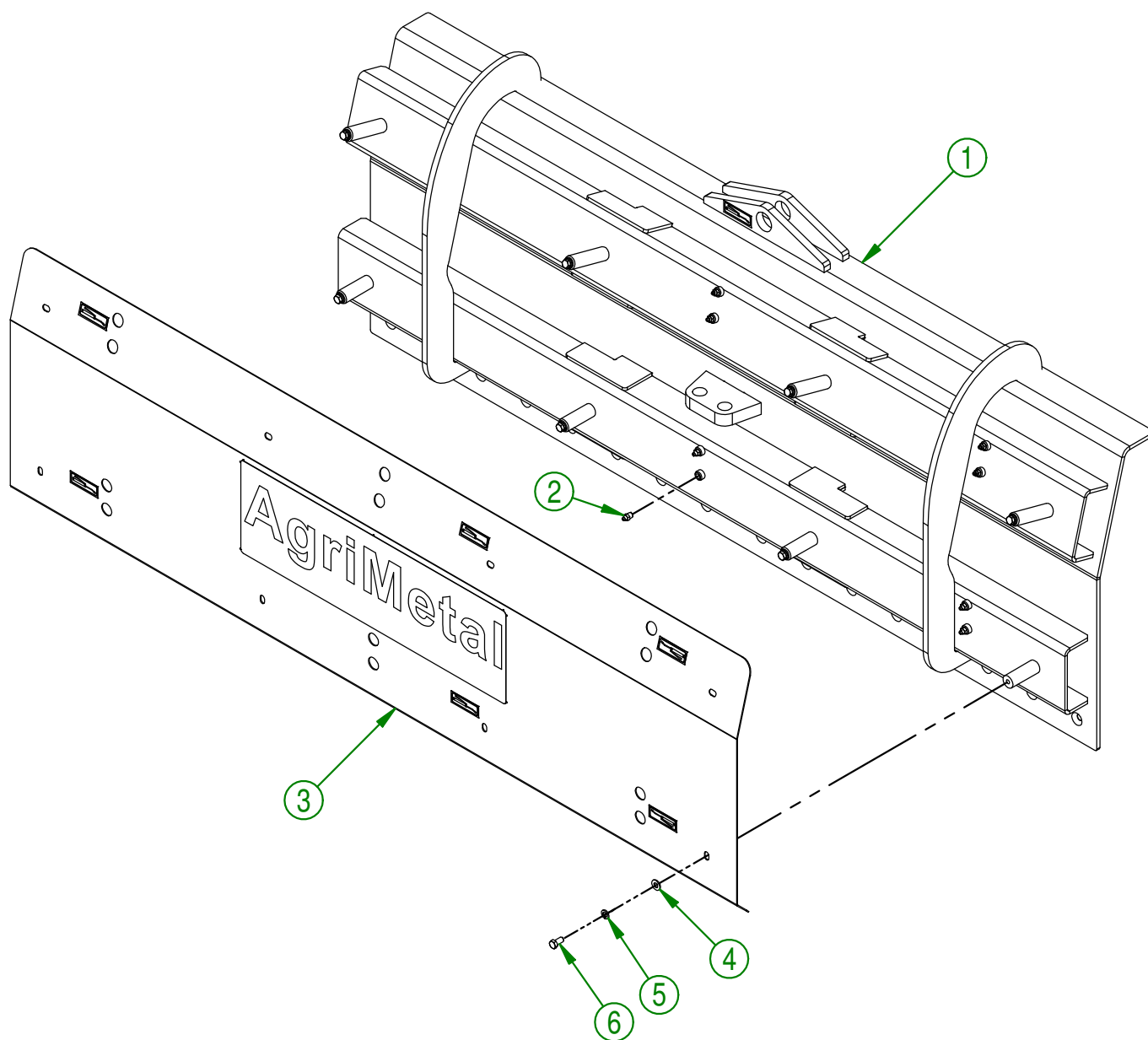
|                         |               |              |  |
|-------------------------|---------------|--------------|--|
| <b>AGRIMETAL</b>        |               |              |  |
| <b>UHMW KNIFE GROUP</b> |               |              |  |
| CREATION : 09/05/17     | ASSEMBLY :    | 92-57-0206   |  |
| REVISION : 09/11/18     | AUTHOR : J.H. | Page 3 de 13 |  |



|                       |                              |
|-----------------------|------------------------------|
| <b>AGRIMETAL</b>      |                              |
| <b>SUBFRAME GROUP</b> |                              |
| CREATION : 15/09/16   | ASSEMBLY : 91-57-0230        |
| REVISION : 08/02/19   | AUTHOR : J.A.H. Page 4 de 13 |

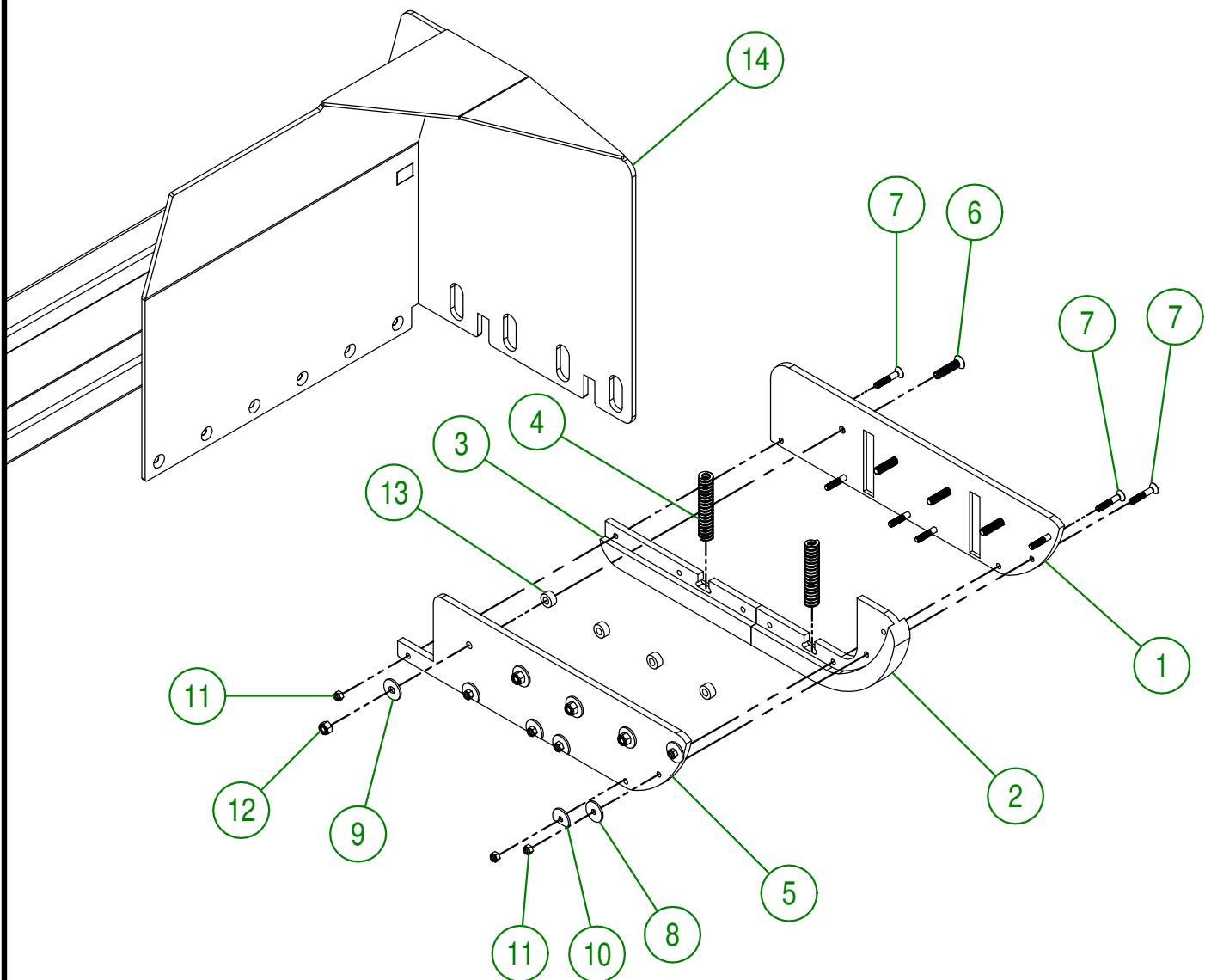
| #  | PART #       | Qty | TITLE                                                |
|----|--------------|-----|------------------------------------------------------|
| 1  | 91-57-0225   | 1   | MOBILE SUBFRAME GROUP                                |
| 2  | 91-50-0030   | 2   | SUBFRAME PIVOT                                       |
| 3  | 91-50-0075   | 1   | FRONT BUMPER PLATE                                   |
| 4  | 91-50-0085   | 1   | SUBFRAME REINFORCEMENT SPACER RIGHT                  |
| 5  | 91-50-0080   | 1   | SUBFRAME REINFORCEMENT SPACER LEFT                   |
| 6  | NC01-54-0400 | 11  | STAINLESS BOLT 5/8-18- X 2 1/2"                      |
| 7  | NC02-26-0100 | 30  | WASHER STAINLESS 0.688 ID X 1.5 OD                   |
| 8  | NC01-94-0100 | 15  | STAINLESS DISTORTED THREAD LOCKNUT                   |
| 9  | NC01-54-0405 | 4   | STAINLESS BOLT 5/8-18- X 3"                          |
| 10 | NC02-26-0105 | 10  | STAINLESS WASHER M16                                 |
| 11 | NC02-32-0105 | 10  | STAINLESS LOCK WASHER M16                            |
| 12 | NC01-51-0003 | 10  | STAINLESS BOLT M16 X 2 X 90MM                        |
| 13 | 91-57-0160   | 1   | LEFT SUBFRAME GROUP                                  |
| 14 | 91-57-0165   | 1   | RIGHT SUBFRAME GROUP                                 |
| 15 | NC02-48-0562 | 6   | FLAT HEAD SOCKET CAP SCREW STAINLESS 5/8-11 X 1 1/2" |
| 16 | 91-13-2800   | 1   | CENTER PIVOT SHAFT                                   |
| 17 | 91-20-0210   | 4   | CYLINDER PIVOT                                       |
| 18 | 91-22-2200   | 4   | FLAT WASHER HYDRAULIC CYLINDER                       |
| 19 | NC01-69-0785 | 7   | STRAIGHT GREASE FITTING 1/4-28                       |
| 20 | NC02-32-0012 | 8   | LOCK WASHER ZINC 3/8"                                |
| 21 | NC01-37-0114 | 8   | BOLT GR8 3/8" X 1"                                   |
| 22 | NC01-69-0159 | 4   | COTTER PIN ZINC 3/16 X 1 1/2"                        |
| 23 | 91-04-1420   | 4   | BLADE CONNECTOR                                      |
| 24 | NC17-57-0052 | 8   | FLAT WASHER                                          |
| 25 | NC01-33-0506 | 4   | CAP SCREW GR8 NC ZINC 7/8-9 X 4 1/2" LG              |
| 26 | NC01-96-0018 | 4   | NYLON INSERT NUT 7/8-9                               |
| 27 | NC13-80-0273 | 8   | BLACK CAP 1" DIA                                     |
| 28 | NC13-15-0319 | 8   | RUBBER WASHER                                        |
| 29 | 91-01-0020   | 1   | HYDRAULIC HOSE PROTECTOR                             |
| 30 | NC02-32-0011 | 1   | LOCK WASHER ZINC 5/16"                               |
| 31 | NC01-17-0058 | 1   | HEX. BOLT GR2 ZINC 5/16-18 X 3/4"                    |
| 32 | 92-01-0005   | 3   | WASHER 2 1/4" DIA. X 1 9/16"                         |
| 33 | NC01-93-0001 | 1   | HEX. NUT NC ZINC 1/4-20                              |
| 34 | NC01-17-0010 | 1   | HEX. BOLT GR2 NC ZINC 1/4-20 X 2"                    |

| # | PART #       | Qty | TITLE                                              |
|---|--------------|-----|----------------------------------------------------|
| 1 | 92-57-0261   | 1   | CENTRAL BLADE MAX PRO 6-10 INCLUDED STICKER GROUP. |
| 2 | NC01-69-0791 | 12  | GREASE FITTING 1/8 NPT STRAIGHT                    |
| 3 | 92-57-0500   | 1   | HYDRAULIC CYLINDER GUARD                           |
| 4 | 01-01-2485   | 8   | FLAT WASHER 14 GA X 13/16"OD X 25/64" ID           |
| 5 | NC02-32-0012 | 8   | LOCK WASHER ZINC 3/8"                              |
| 6 | NC01-17-0112 | 8   | HEX. BOLT GR2 ZINC 3/8-16 X 3/4"                   |



|                         |                               |
|-------------------------|-------------------------------|
| <b>AGRIMETAL</b>        |                               |
| <b>BLADE 6-10 GROUP</b> |                               |
| CREATION : 22/03/18     | ASSEMBLY : <b>92-57-0021</b>  |
| REVISION : 15/10/18     | AUTHOR : J.KABWE Page 6 de 13 |

| #  | PART #       | Qty | TITLE                                                |
|----|--------------|-----|------------------------------------------------------|
| 1  | 91-42-0144   | 1   | FLOATING SKATE (RIGHT OUTSIDE)                       |
| 2  | NC13-15-0325 | 1   | FLOATING SKATE (MIDDLE FRONT)                        |
| 3  | NC13-15-0323 | 1   | FLOATING SKATE (MIDDLE BACK)                         |
| 4  | NC13-86-0052 | 2   | SPRING 1/2" ID X 1" OD X 5" LG                       |
| 5  | 91-42-0142   | 1   | FLOATING SKATE (RIGHT INSIDE)                        |
| 6  | NC02-48-0549 | 4   | STAINLESS FLAT HEAD SOCKET CAP SCREW 1/2-13 X 2 1/4" |
| 7  | NC02-48-0537 | 7   | STAINLESS FLAT HEAD SOCKET CAP SCREW 3/8-16 X 2 1/4" |
| 8  | 91-20-0163   | 2   | WASHER                                               |
| 9  | 91-20-0150   | 4   | WASHER                                               |
| 10 | 91-20-0160   | 4   | WASHER                                               |
| 11 | NC01-96-0011 | 7   | NYLON NUT 3/8-16                                     |
| 12 | NC01-96-0014 | 4   | NYLON INSERT LOCKNUT 1/2-13"                         |
| 13 | 91-09-0000   | 4   | BUSHING                                              |
| 14 | 92-57-0266   | 1   | RIGHT BLADE                                          |



## IMPORTANT

USE THIS PARTS ONLY IF YOUR SERIAL NUMBER IS INVOLVED:

#37424 OR UNDER

## AGRIMETAL

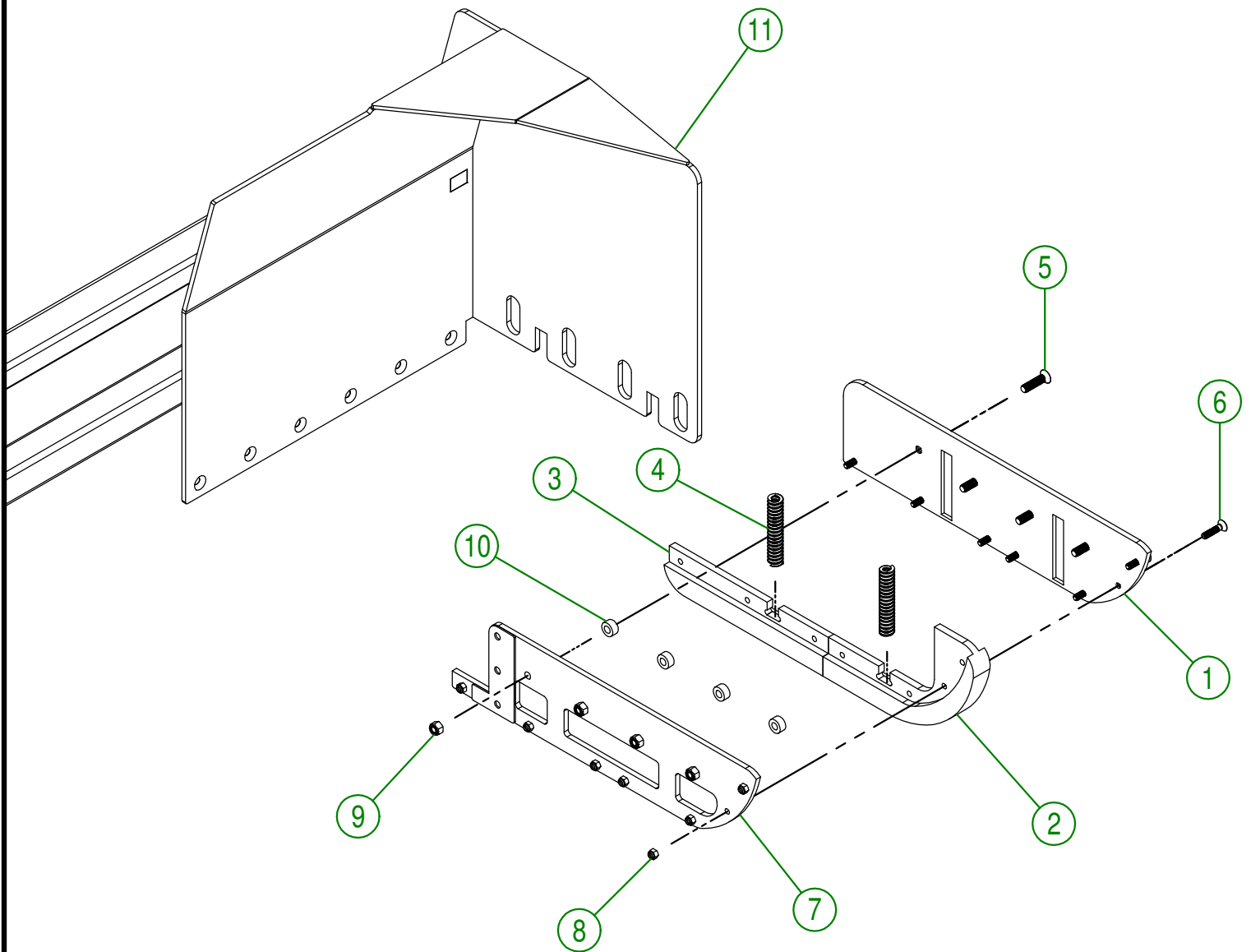
### RIGHT BLADE GROUP

CREATION : 08/05/17  
REVISION : 10/01/19

ASSEMBLY : 92-57-0046  
AUTHOR : J.H. Page 7 de 13



| #  | PART #       | Qty | TITLE                                              |
|----|--------------|-----|----------------------------------------------------|
| 1  | 91-42-0400   | 1   | FLOATING SKATE (RIGHT OUTSIDE)                     |
| 2  | 91-42-0138   | 1   | FLOATING SKATE (MIDDLE FRONT)                      |
| 3  | 91-42-0150   | 1   | FLOATING SKATE (MIDDLE BACK)                       |
| 4  | NC13-86-0052 | 2   | SPRING 1/2" ID X 1" OD X 5" LG                     |
| 5  | NC02-48-0548 | 4   | FLAT HEAD SOCKET CAP SCREW STAINLESS 1/2-13 X 2"   |
| 6  | NC02-48-0535 | 7   | STAINLESS FLAT HEAD SOCKET CAP SREW 3/8-16 X 1 3/4 |
| 7  | 91-50-0355   | 1   | FLOATING SKATE (RIGHT INSIDE)                      |
| 8  | NC01-96-0011 | 7   | NYLON NUT 3/8-16                                   |
| 9  | NC01-96-0014 | 4   | NYLON INSERT LOCKNUT 1/2-13"                       |
| 10 | 91-09-0000   | 4   | BUSHING                                            |
| 11 | 92-57-0266   | 1   | RIGHT BLADE                                        |



## IMPORTANT

USE THIS PARTS ONLY IF YOUR SERIAL NUMBER IS INVOLVED:

#37430 OR ABOVE

**AGRIMETAL**  
RIGHT BLADE

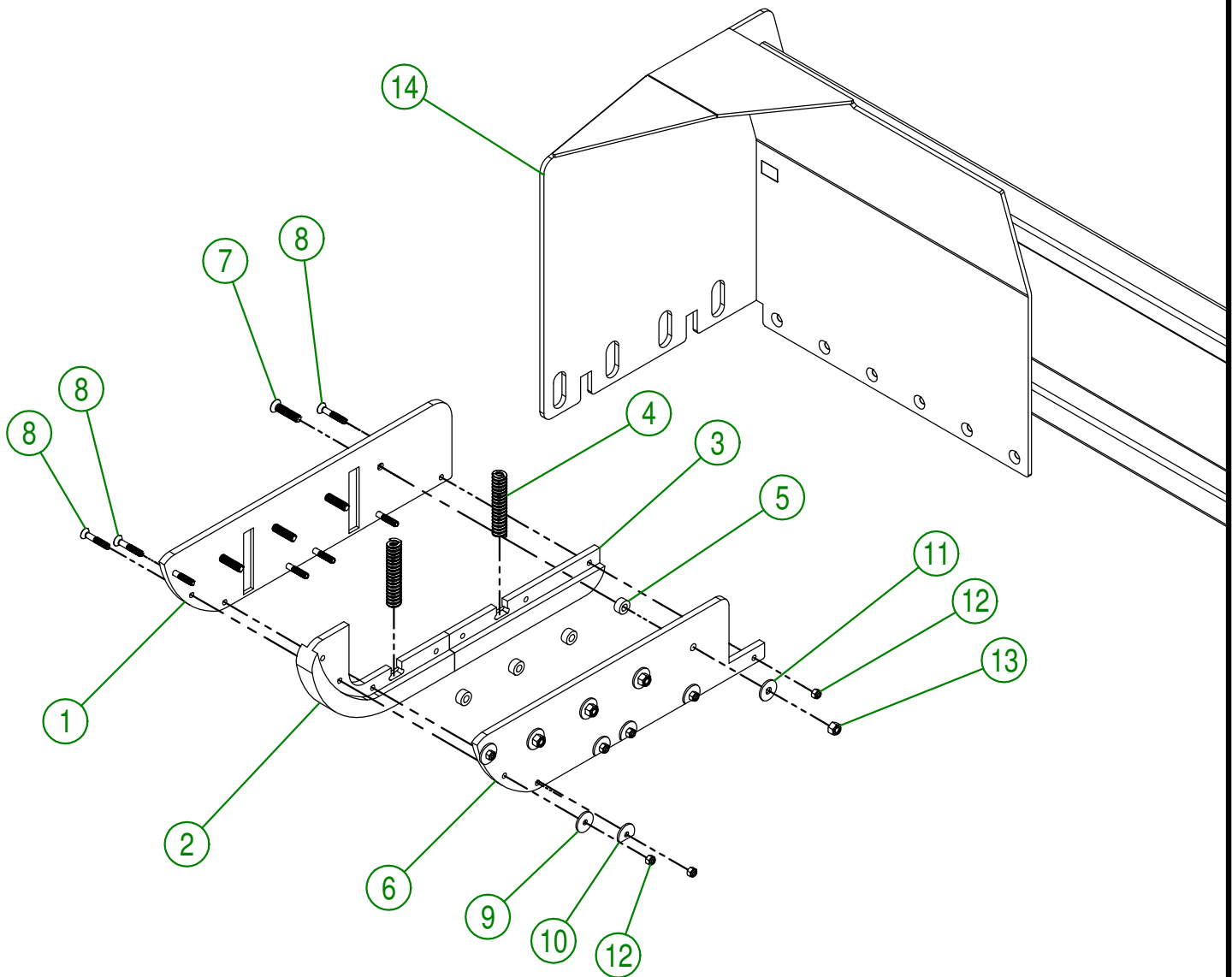
CREATION : 05/11/18  
REVISION : 28/10/19

ASSEMBLY : **92-57-0047**

AUTHOR : J. Houle

Page 8 de 13

| #  | PART #       | Qty | TITLE                                                |
|----|--------------|-----|------------------------------------------------------|
| 1  | 91-42-0140   | 1   | FLOATING SKATE (LEFT EXT.)                           |
| 2  | NC13-15-0325 | 1   | FLOATING SKATE (MIDDLE FRONT)                        |
| 3  | NC13-15-0323 | 1   | FLOATING SKATE (MIDDLE BACK)                         |
| 4  | NC13-86-0052 | 2   | SPRING 1/2" ID X 1" OD X 5" LG                       |
| 5  | 91-09-0000   | 4   | BUSHING                                              |
| 6  | 91-42-0136   | 1   | FLOATING SKATE (LEFT INT.)                           |
| 7  | NC02-48-0549 | 4   | STAINLESS FLAT HEAD SOCKET CAP SCREW 1/2-13 X 2 1/4" |
| 8  | NC02-48-0537 | 7   | STAINLESS FLAT HEAD SOCKET CAP SCREW 3/8-16 X 2 1/4" |
| 9  | 91-20-0163   | 2   | WASHER                                               |
| 10 | 91-20-0160   | 4   | WASHER                                               |
| 11 | 91-20-0150   | 4   | WASHER                                               |
| 12 | NC01-96-0011 | 7   | NYLON NUT 3/8-16                                     |
| 13 | NC01-96-0014 | 4   | NYLON INSERT LOCKNUT 1/2-13"                         |
| 14 | 92-57-0271   | 1   | LEFT BLADE                                           |



### IMPORTANT

USE THIS PARTS ONLY IF YOUR SERIAL NUMBER IS INVOLVED:

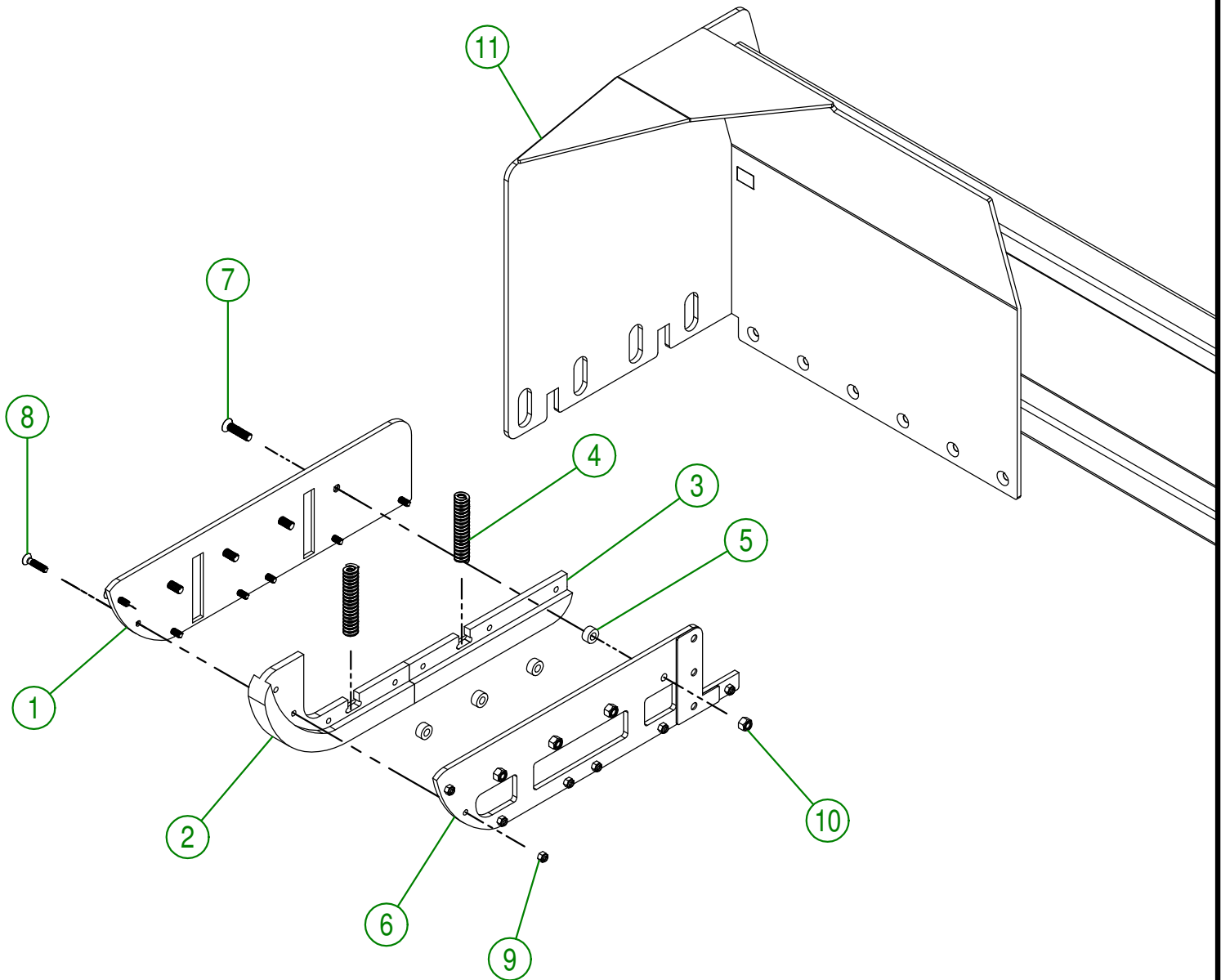
#37424 OR UNDER

### AGRIMETAL LEFT BLADE GROUP.

CREATION : 08/05/17  
REVISION : 10/01/19

ASSEMBLY : 92-57-0051  
AUTHOR : J.H. Page 9 de 13

| #  | PART #       | Qty | TITLE                                              |
|----|--------------|-----|----------------------------------------------------|
| 1  | 91-42-0403   | 1   | FLOATING SKATE (LEFT EXT.)                         |
| 2  | 91-42-0138   | 1   | FLOATING SKATE (MIDDLE FRONT)                      |
| 3  | 91-42-0150   | 1   | FLOATING SKATE (MIDDLE BACK)                       |
| 4  | NC13-86-0052 | 2   | SPRING 1/2" ID X 1" OD X 5" LG                     |
| 5  | 91-09-0000   | 4   | BUSHING                                            |
| 6  | 91-50-0360   | 1   | FLOATING SKATE (LEFT INSIDE)                       |
| 7  | NC02-48-0548 | 4   | FLAT HEAD SOCKET CAP SCREW STAINLESS 1/2-13 X 2"   |
| 8  | NC02-48-0535 | 7   | STAINLESS FLAT HEAD SOCKET CAP SREW 3/8-16 X 1 3/4 |
| 9  | NC01-96-0011 | 7   | NYLON NUT 3/8-16                                   |
| 10 | NC01-96-0014 | 4   | NYLON INSERT LOCKNUT 1/2-13"                       |
| 11 | 92-57-0271   | 1   | LEFT BLADE                                         |



## IMPORTANT

USE THIS PARTS ONLY IF YOUR SERIAL NUMBER IS INVOLVED:

#37430 OR ABOVE

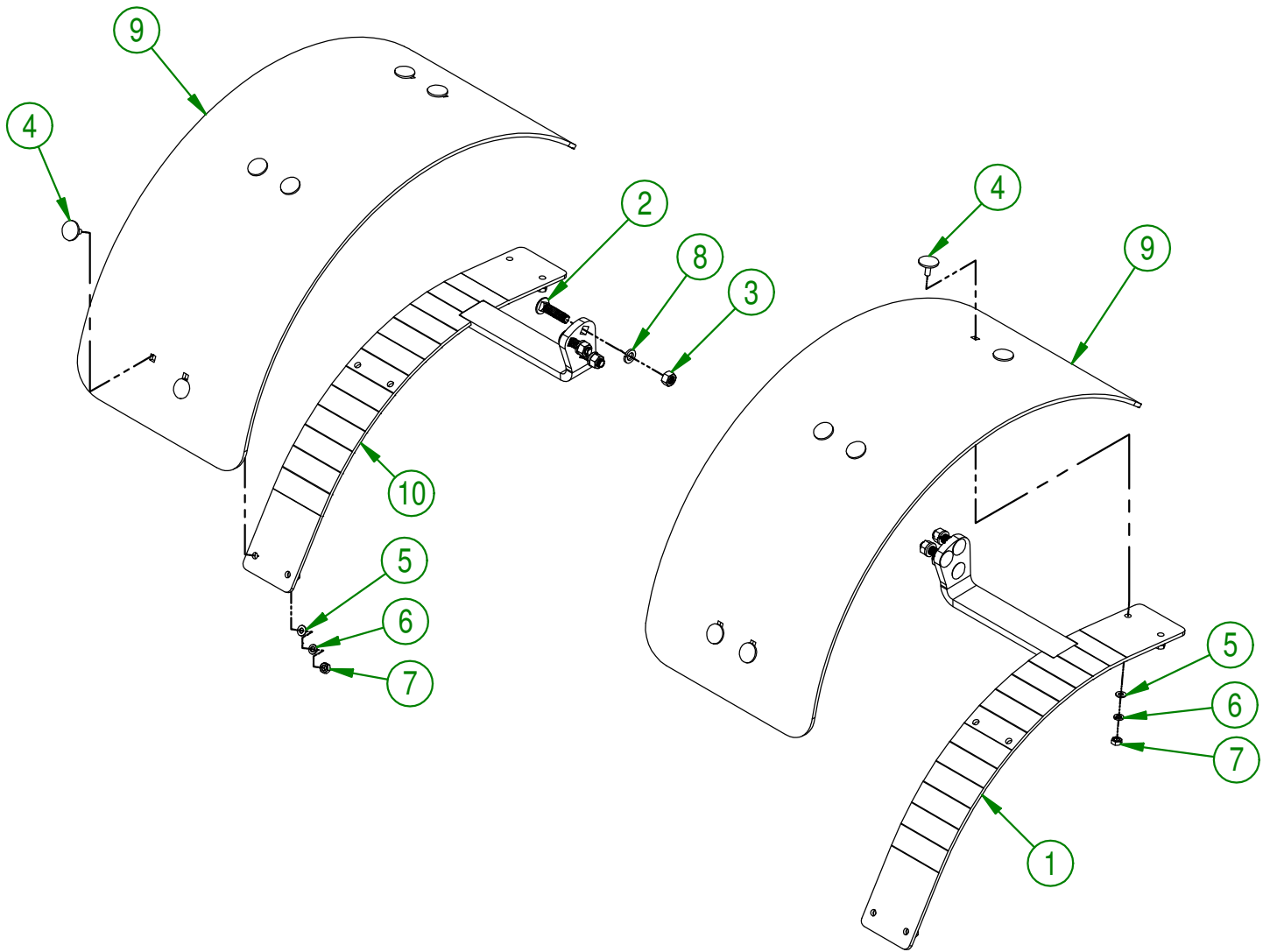
**AGRIMETAL**  
LEFT BLADE GROUP.

CREATION : 05/11/18  
REVISION : 28/10/19

ASSEMBLY : **92-57-0052**

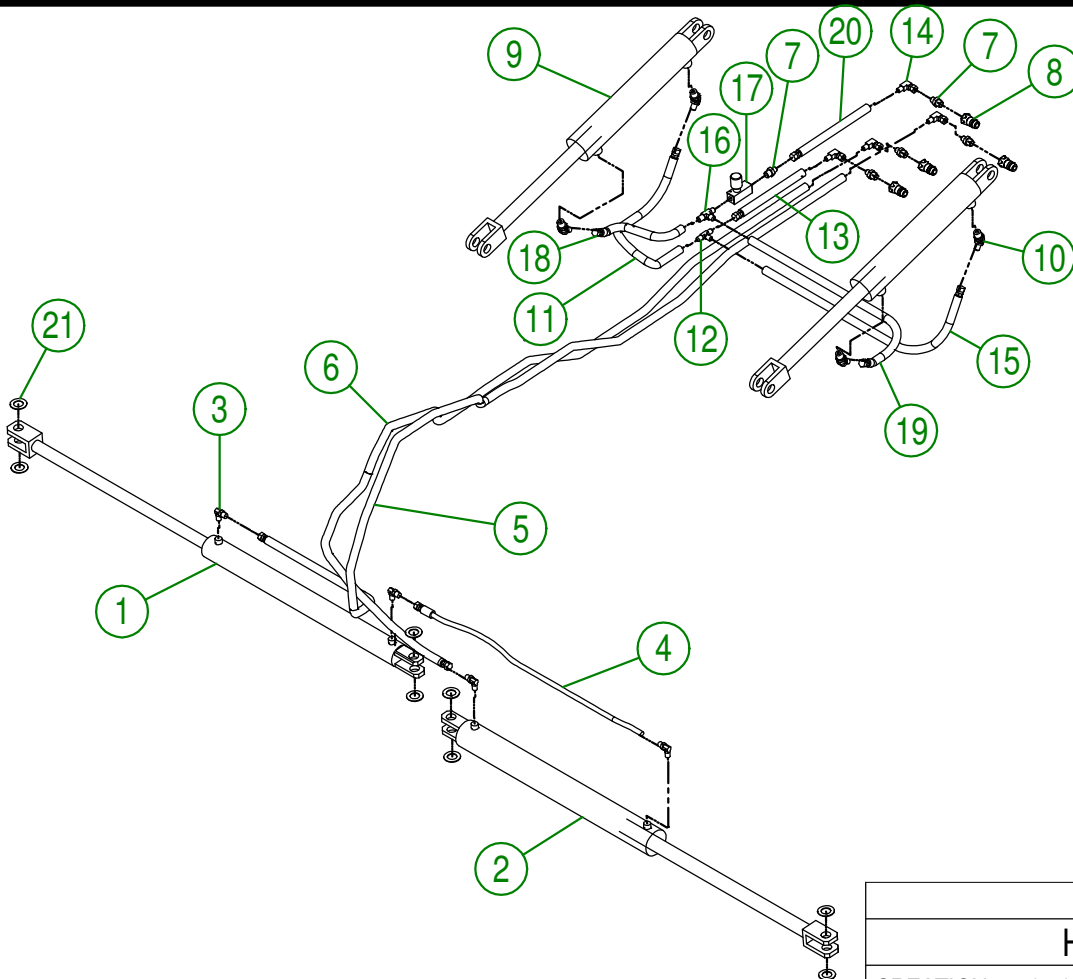
AUTHOR : J. Houle Page 10 de 13

| #  | PART #       | Qty | TITLE                                |
|----|--------------|-----|--------------------------------------|
| 1  | 91-50-0065   | 1   | LEFT MUD GUARD BRACKET               |
| 2  | NC01-54-0200 | 6   | CARR. BOLT STAINLESS 1/2-13 X 2"     |
| 3  | NC02-14-0100 | 6   | HEX NUT STAINLESS 1/2-13             |
| 4  | NC01-13-0062 | 12  | ELEVATOR STAINLESS BOLT 5/16-18 X 1" |
| 5  | NC02-22-0008 | 12  | WASHER ZINC 5/16"                    |
| 6  | NC02-32-0011 | 12  | LOCK WASHER ZINC 5/16"               |
| 7  | NC02-07-0017 | 12  | HEX. NUT 5/16-18                     |
| 8  | NC02-32-0100 | 6   | LOCK WASHER STAINLESS 1/2"           |
| 9  | 91-42-0155   | 2   | GUARD                                |
| 10 | 91-50-0060   | 1   | RIGHT MUDE GUARD BRACKET             |



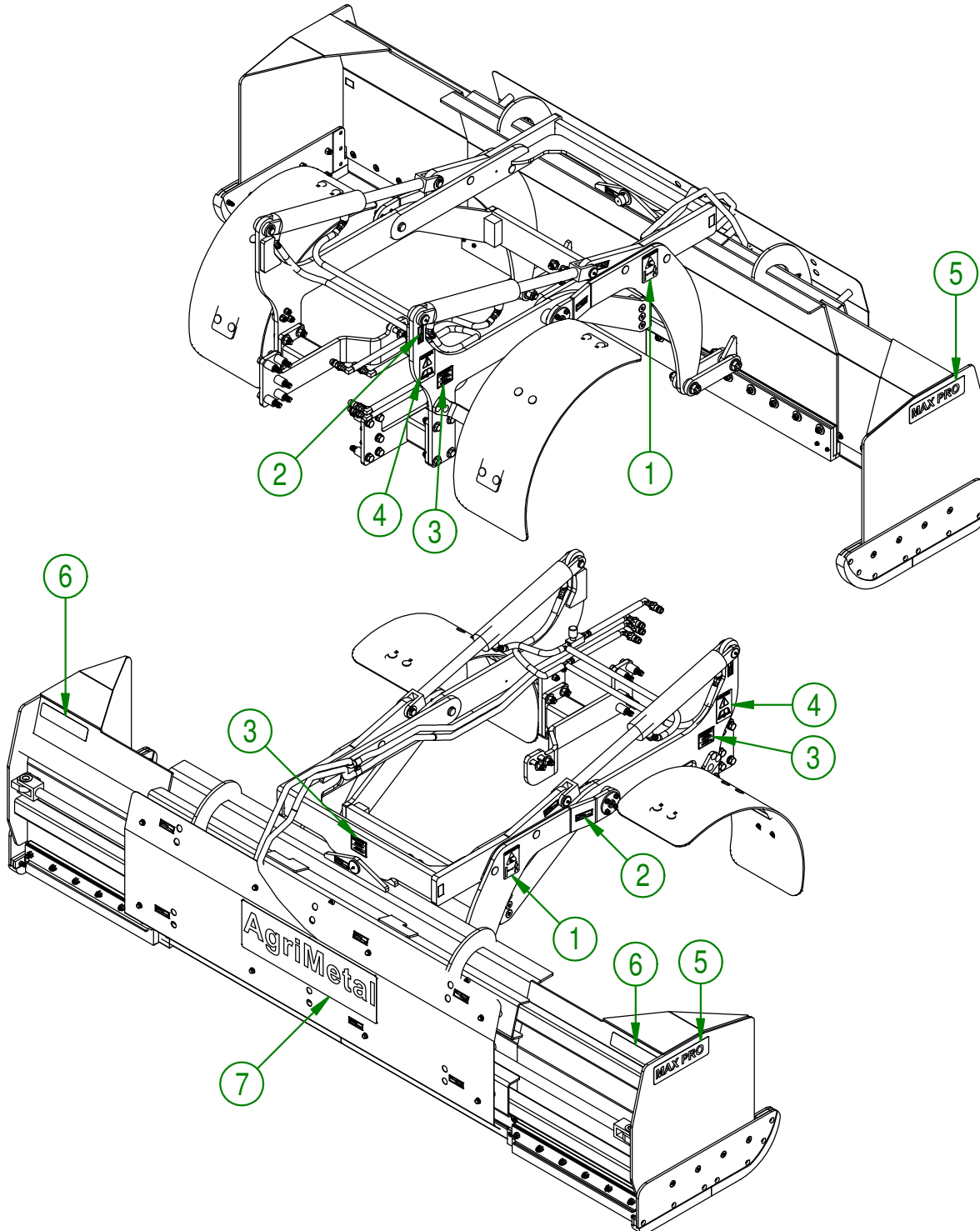
|                        |               |               |
|------------------------|---------------|---------------|
| <b>AGRIMETAL</b>       |               |               |
| <b>MUD GUARD GROUP</b> |               |               |
| CREATION : 09/08/16    | ASSEMBLY :    | 91-57-0210    |
| REVISION : 11/09/19    | AUTHOR : J.H. | Page 11 de 13 |

| #  | PART #       | Qty | TITLE                                                    |
|----|--------------|-----|----------------------------------------------------------|
| 1  | NCI3-45-0238 | 1   | HYDRAULIC CYLINDER 2" X 24" STROKE                       |
| 2  | NCI3-45-0237 | 1   | HYDRAULIC CYLINDER 2 1/2" X 24" STROKE                   |
| 3  | NCI3-45-0254 | 4   | 90 DEG ELBOW 9/16"-18 MALE SAE6 O RING X 3/8" MALE JIC   |
| 4  | NCI7-02-0351 | 1   | HYDRAULIC HOSE 34"                                       |
| 5  | NCI7-02-0384 | 1   | HYDRAULIC HOSE 107"                                      |
| 6  | NCI7-02-0383 | 1   | HYDRAULIC HOSE 105"                                      |
| 7  | NCI3-45-0288 | 5   | STRAIGHT FITTING 1/2" MALE JIC X 3/8" MALE NPT           |
| 8  | NCI3-45-0285 | 4   | QUICK COUPLER 3/8 NPTF                                   |
| 9  | NCI3-45-0257 | 2   | HYDRAULIC CYLINDER 2 1/2" X 12" STROKE                   |
| 10 | NCI3-45-0290 | 4   | 45 DEG ELBOW                                             |
| 11 | NCI7-02-0381 | 1   | HYDRAULIC HOSE 21 1/4"                                   |
| 12 | NCI3-45-0289 | 1   | T 3/8 MALE JIC X 3/8 MALE JIC X 3/8 MALE JIC             |
| 13 | NCI7-02-0379 | 1   | HYDRAULIC HOSE 15"                                       |
| 14 | NCI3-45-0173 | 4   | 90 DEG ELBOW                                             |
| 15 | NCI7-02-0392 | 1   | HYDRAULIC HOSE 46"                                       |
| 16 | NCI3-45-0244 | 1   | TEE FITTING 3/8" MALE NPT X 3/8" MALE JIC X 3/8" MAL JIC |
| 17 | NCI3-45-0241 | 1   | FLOW CONTROLE 3/8" NPT FEMALE                            |
| 18 | NCI7-02-0378 | 1   | HYDRAULIC HOSE 10 1/2"                                   |
| 19 | NCI7-02-0382 | 1   | HYDRAULIC HOSE 57"                                       |
| 20 | NCI7-02-0380 | 1   | HYDRAULIC HOSE 20 3/4"                                   |
| 21 | 91-22-2200   | 8   | FLAT WASHER HYDRAULIC CYLINDER                           |



|                        |                               |
|------------------------|-------------------------------|
| <b>AGRIMETAL</b>       |                               |
| <b>HYDRAULIC GROUP</b> |                               |
| CREATION : 15/09/16    | ASSEMBLY : 91-57-0280         |
| REVISION : 08/02/19    | AUTHOR : J.A.H. Page 12 de 13 |

| # | PART #       | Qty | TITLE                                  |
|---|--------------|-----|----------------------------------------|
| 1 | NCI3-33-0268 | 2   | STICKER WARNING                        |
| 2 | NCI3-33-0024 | 14  | STICKER GREASE HERE                    |
| 3 | NCI3-33-0319 | 3   | STICKER IMPORTANT GREASE EVERY 5 HOURS |
| 4 | NCI3-33-0183 | 2   | STICKER CAUTION OPERATION MANUAL       |
| 5 | NCI3-33-0265 | 2   | STICKER MAX PRO                        |
| 6 | 28-60-0050   | 2   | STICKER SCOTCHLITE                     |
| 7 | NCI3-33-0318 | 1   | STICKER AGRIMETAL INC (XL)             |



|                                  |                                |
|----------------------------------|--------------------------------|
| <b>AGRIMETAL</b>                 |                                |
| <b>MAX-PRO 6-10 B (CASE 55C)</b> |                                |
| CREATION : 09/01/18              | ASSEMBLY : <b>91-99-1001</b>   |
| REVISION : 08/02/19              | AUTHOR : J.KABWE Page 13 de 13 |