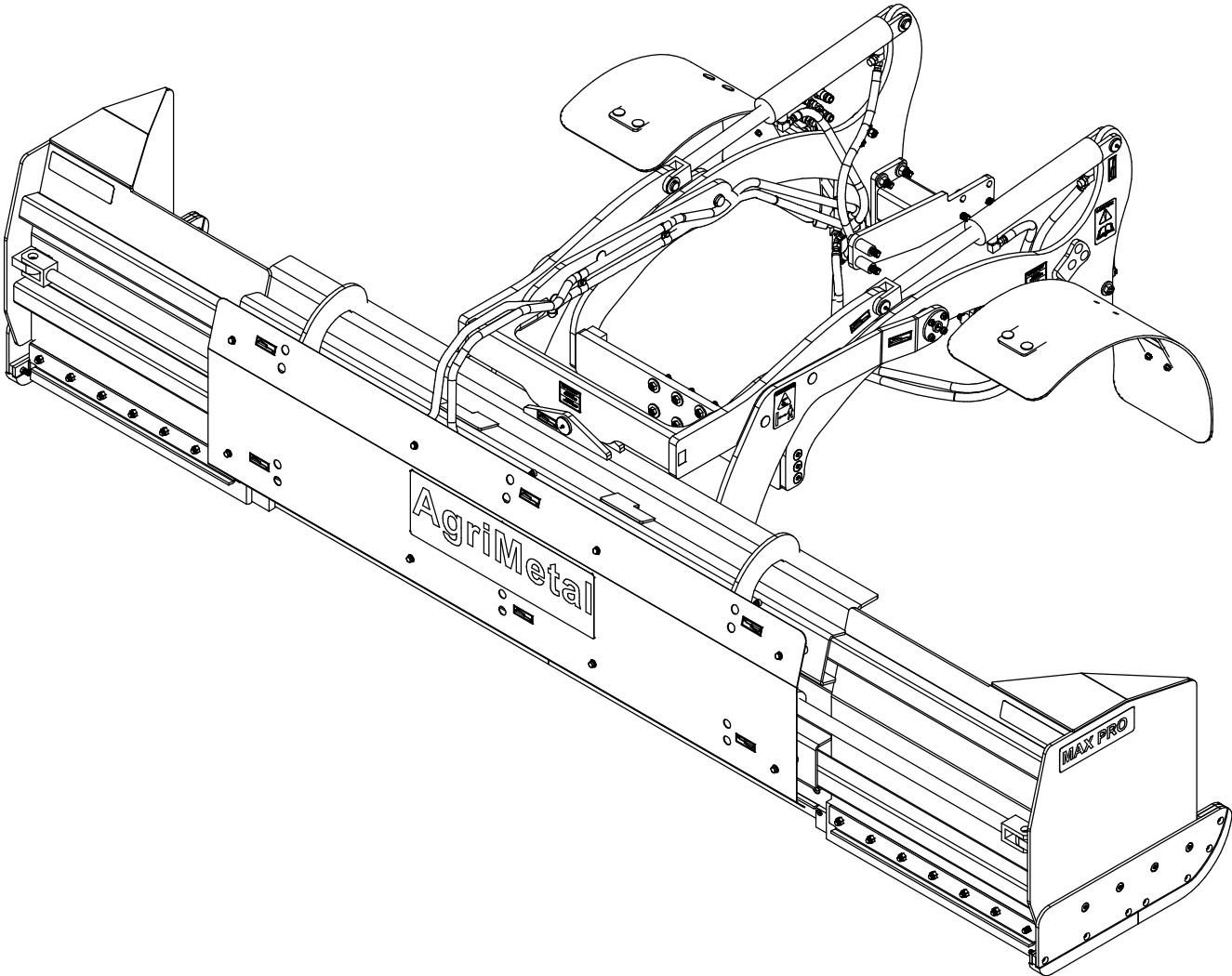


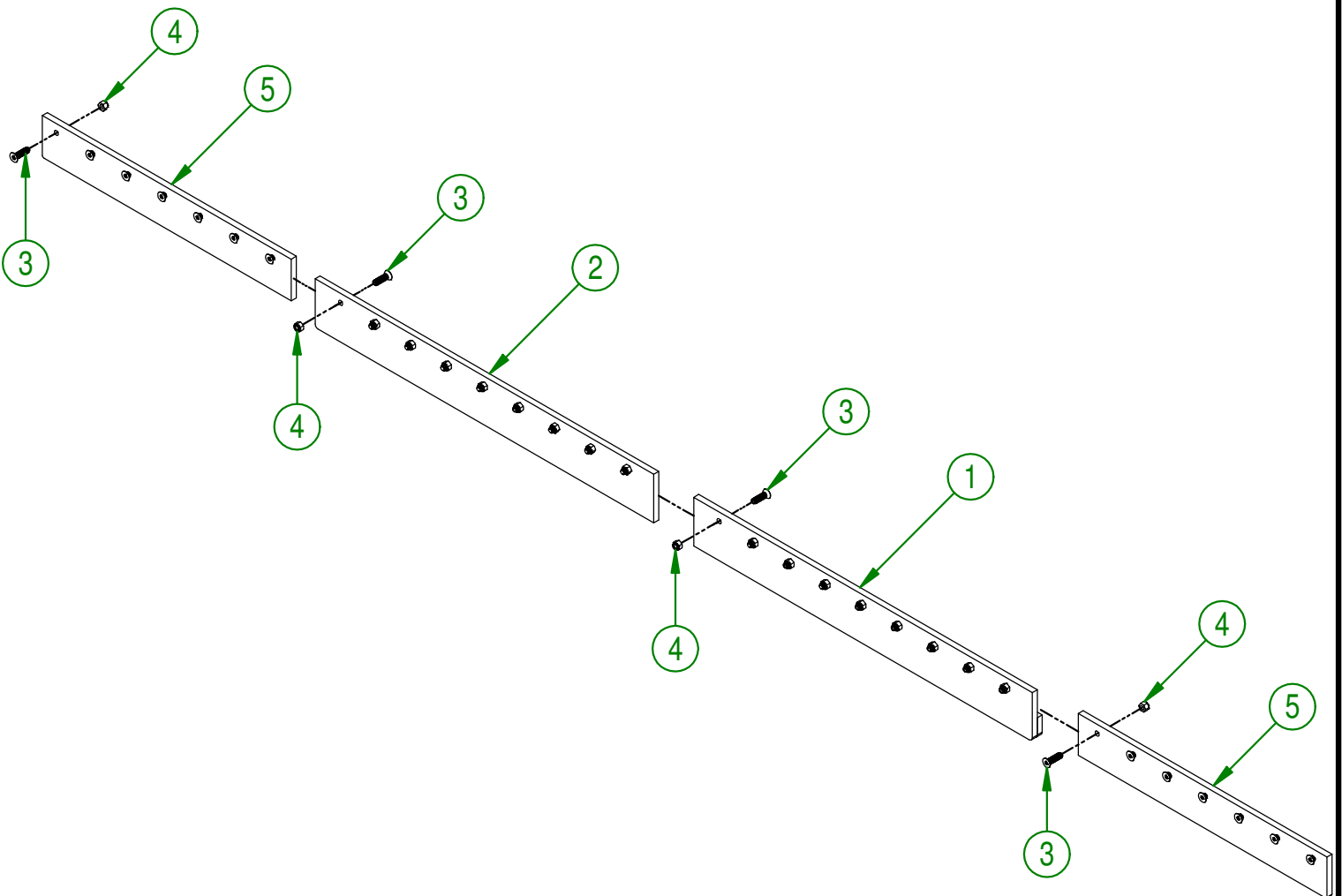
# AgriMetal

## PARTS LIST



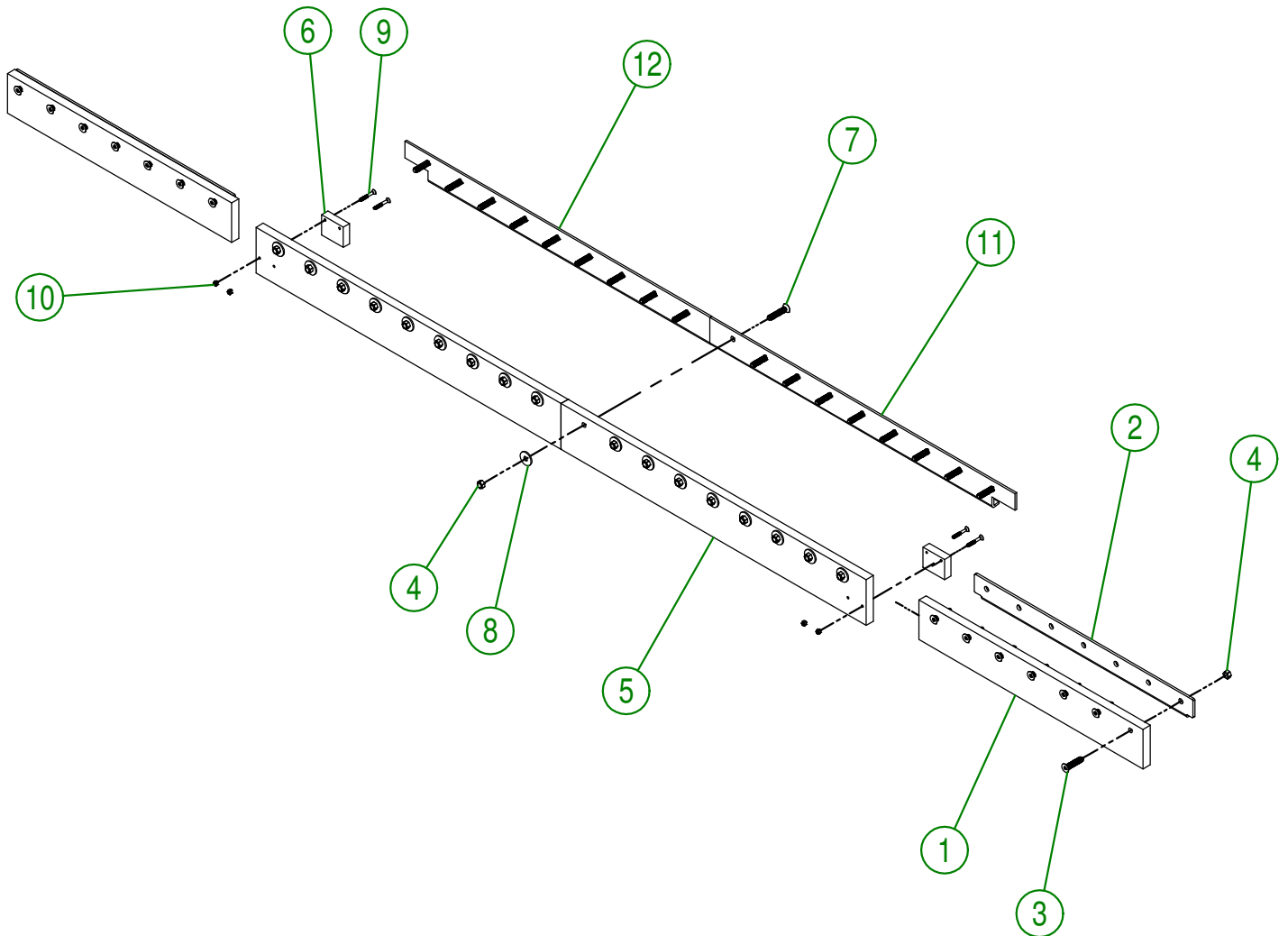
**MAX PRO 7-12B (MASSEY FERGUSON 1760)**

#	PART #	Qty	TITLE
1	91-50-0052	1	INSIDE KNIFE RIGHT
2	91-50-0057	1	INSIDE KNIFE LEFT
3	NC02-48-0547	32	FLAT HEAD SOCKET CAP SCREW STAINLESS 1/2-13 X 1 3/4
4	NC01-96-0014	32	NYLON INSERT LOCKNUT 1/2-13"
5	91-20-0388	2	OUTSIDE KNIFE



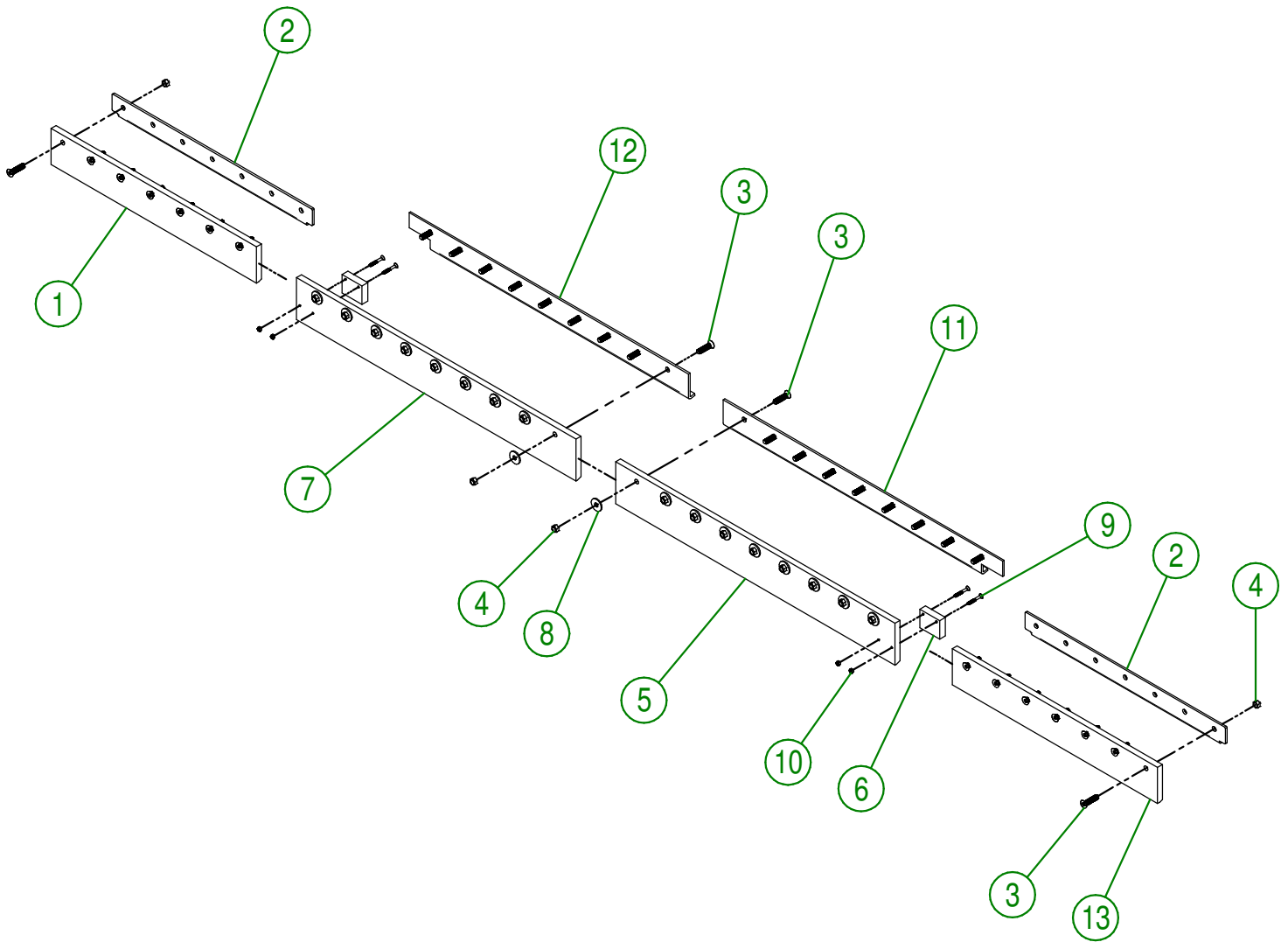
<b>AGRIMETAL</b>			
<b>QT KNIFE GROUP</b>			
CREATION : 04/05/17	ASSEMBLY :	91-57-0201	
REVISION : 29/12/17	AUTHOR : J.H.	Page 1 de 12	

#	PART #	Qty	TITLE
1	91-42-0147	2	OUTSIDE KNIFE (UHMW)
2	91-04-0246	2	KNIFE BRACE (OUTSIDE)
3	NC02-48-0549	14	STAINLESS FLAT HEAD SOCKET CAP SCREW 1/2-13 X 2 1/4"
4	NC01-96-0014	32	NYLON-INSERT LOCKNUT ZINC 1/2-13
5	91-42-0133	2	CENTER KNIFE (UHMW)
6	91-42-0121	2	SNOW GUARD
7	NC02-48-0550	18	FLAT HEAD SOCKET CAP SCREW STAINLESS 1/2-13 X 2 1/2"
8	91-20-0150	18	WASHER
9	NC02-48-0582	4	FLAT HEAD SOCKET CAP SCREW STAINLESS 1/4-20 X 2"
10	NC01-96-0009	4	NYLON-INSERT LOCKNUT ZINC 1/4-20
11	91-04-0241	1	KNIFE BRACE (RIGHT)
12	91-04-0244	1	KNIFE BRACE (LEFT)



<b>AGRIMETAL</b>	
<b>UHMW KNIFE GROUP</b>	
CREATION : 05-05-2017	ASSEMBLY : 91-57-0206
REVISION : 09-11-2018	AUTHOR : Dessin1 Page 2 de 12

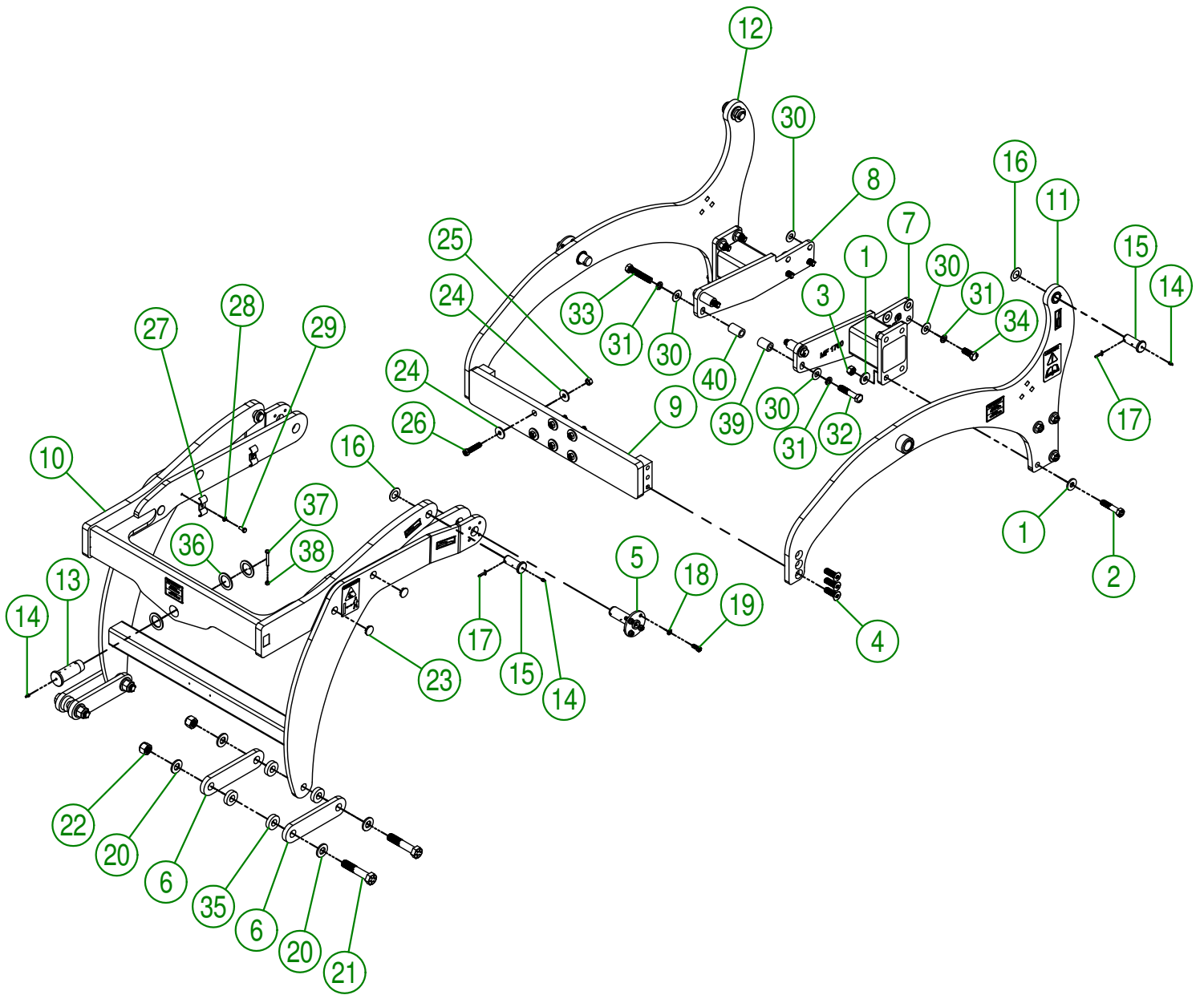
#	PART #	Qty	TITLE
1	91-42-0013	1	RUBBER KNIFE (OUTSIDE LEFT)
2	91-04-0246	2	KNIFE BRACE (OUTSIDE)
3	NC02-48-0548	32	FLAT HEAD SOCKET CAP SCREW STAINLESS 1/2-13 X 2"
4	NC01-96-0014	32	NYLON-INSERT LOCKNUT ZINC 1/2-13
5	91-42-0003	1	RUBBER KNIFE (INSIDE RIGHT)
6	91-42-0121	2	SNOW GUARD
7	91-42-0000	1	RUBBER KNIFE (INSIDE LEFT)
8	91-20-0150	18	WASHER
9	NC02-48-0582	4	FLAT HEAD SOCKET CAP SCREW STAINLESS 1/4-20 X 2"
10	NC01-96-0009	4	NYLON-INSERT LOCKNUT ZINC 1/4-20
11	91-04-0241	1	KNIFE BRACE (RIGHT)
12	91-04-0244	1	KNIFE BRACE (LEFT)
13	91-42-0010	1	RUBBER KNIFE (OUTSIDE RIGHT)



**AGRIMETAL**  
**RUBBER KNIFE GROUP**

CREATION : 10/05/17  
 REVISION : 05/02/21

ASSEMBLY : **91-57-0195**  
 AUTHOR : J. Houle



**AGRIMETAL**  
**SUBFRAME GROUP**

CREATION : 29/10/18  
 REVISION : 29/05/19

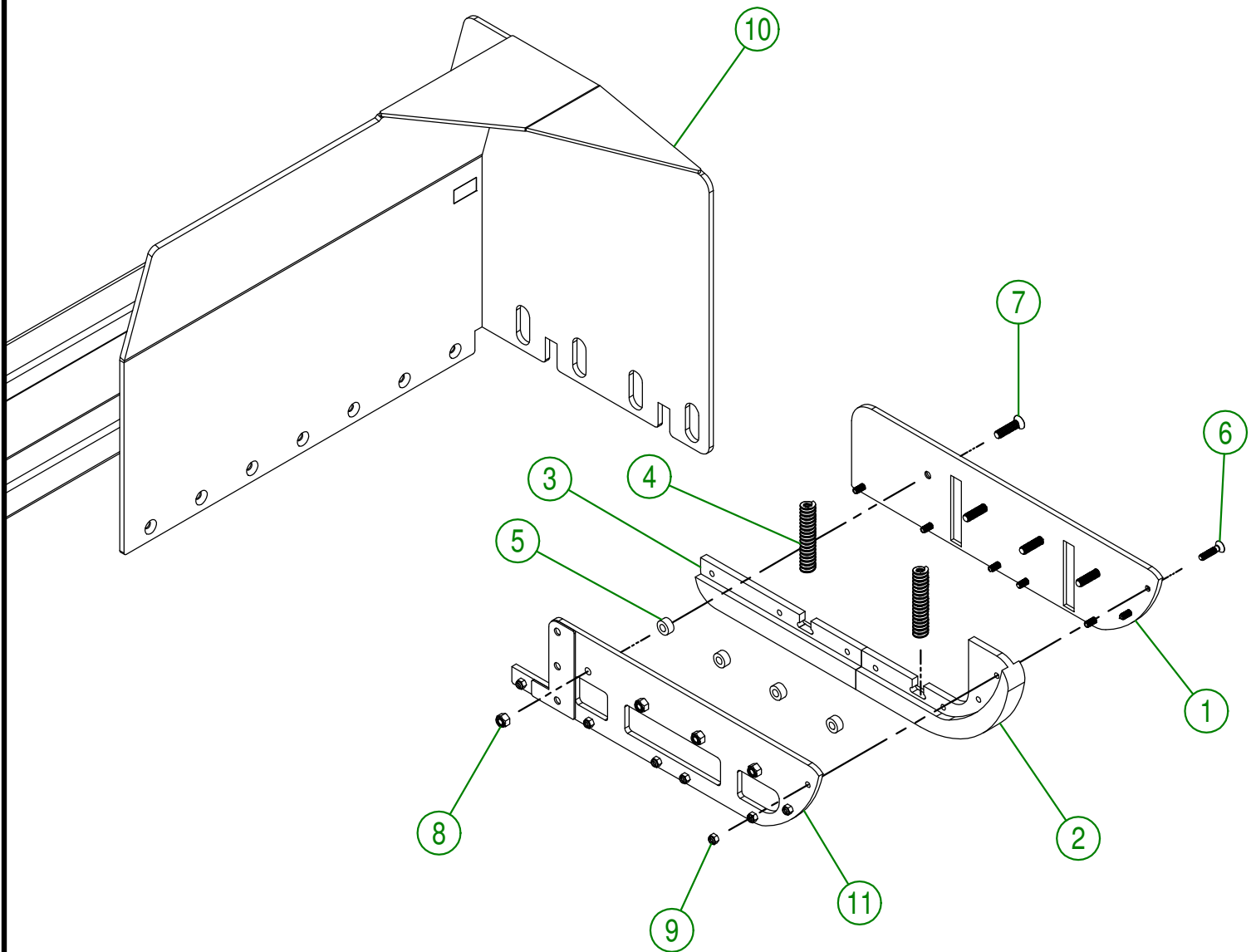
ASSEMBLY : **91-57-0327**

AUTHOR : J.KABWE

Page 4 de 12

#	PART #	Qty	TITLE
1	91-20-0155	16	FLAT WASHER
2	NC01-33-0400	8	CAP SCREW GR8 NC ZINC 5/8-11 X 3" LG
3	NC01-94-0100	8	STAINLESS DISTORTED THREAD LOCKNUT
4	NC02-48-0562	6	FLAT HEAD SOCKET CAP SCREW STAINLESS 5/8-11 X 1 1/2"
5	91-50-0030	2	SUBFRAME PIVOT
6	91-04-1420	4	BLADE CONNECTOR
7	91-50-0163	1	LEFT FRAME SUPPORT
8	91-50-0167	1	RIGHT FRAME SUPPORT
9	91-50-0170	1	FRAME SUPPORT
10	91-57-0333	1	SUBFRAME
11	91-57-0337	1	LEFT FRAME
12	91-57-0342	1	RIGHT FRAME
13	91-13-2800	1	CENTER PIVOT SHAFT
14	NC01-69-0785	7	STRAIGHT GREASE FITTING 1/4-28
15	91-20-0210	4	CYLINDER PIVOT
16	91-22-2200	4	FLAT WASHER HYDRAULIC CYLINDER
17	NC01-69-0159	4	COTTER PIN ZINC 3/16 X 1 1/2"
18	NC02-32-0012	8	LOCK WASHER ZINC 3/8"
19	NC01-37-0114	8	BOLT GR8 3/8" X 1"
20	09-04-0050	8	PNO 3/16" X 1 49/64" DIA. X Ø 7/8" FLAT WASHER
21	NC01-33-0506	4	CAP SCREW GR8 NC ZINC 7/8-9 X 4 1/2" LG
22	NC01-96-0018	4	NYLON INSERT NUT 7/8-9
23	NC13-80-0273	8	BLACK CAP 1" DIA
24	91-20-0150	12	WASHER
25	NC01-94-0013	6	NYLON NUT ZINC 1/2-20"
26	NC01-37-0252	6	HEX. BOLT HEX. GR8 ZINC 1/2-20 X 2 1/4"
27	91-01-0020	2	HYDRAULIC HOSE PROTECTOR
28	NC02-32-0011	2	LOCK WASHER ZINC 5/16"
29	NC01-17-0058	2	HEX. BOLT GR2 ZINC 5/16-18 X 3/4"
30	NC02-26-0100	12	WASHER STAINLESS 0.688 ID X 1.5 OD
31	NC02-32-0016	8	LOCK WASHER ZINC 5/8"
32	NC01-50-0113	2	HEX. BOLT GR10.9 M16 X 1.5 X 80MM
33	NC01-50-0114	2	METR. BOLT GR.10.9 NF 16MM X 1.5THREAD X 90MM LONG
34	NC01-50-0105	8	HEX. BOLT GR10.9 M16 X 1.5 X 40MM
35	NC13-15-0319	8	RUBBER WASHER
36	92-01-0005	3	WASHER 2 1/4" DIA. X 1 9/16"
37	NC01-17-0010	1	HEX. BOLT GR2 NC ZINC 1/4-20 X 2"
38	NC01-93-0001	1	HEX. NUT NC ZINC 1/4-20
39	91-13-1640	2	BUSHING
40	91-13-1643	2	BUSHING

#	PART #	Qty	TITLE
1	91-42-0400	1	FLOATING SKATE (RIGHT OUTSIDE)
2	91-42-0138	1	FLOATING SKATE (MIDDLE FRONT)
3	91-42-0150	1	FLOATING SKATE (MIDDLE BACK)
4	NC13-86-0052	2	SPRING 1/2" ID X 1" OD X 5" LG
5	91-09-0000	4	BUSHING
6	NC02-48-0535	7	STAINLESS FLAT HEAD SOCKET CAP SREW 3/8-16 X 1 3/4
7	NC02-48-0548	4	FLAT HEAD SOCKET CAP SCREW STAINLESS 1/2-13 X 2"
8	NC01-96-0014	4	NYLON INSERT LOCKNUT 1/2-13"
9	NC01-96-0011	7	NYLON NUT 3/8-16
10	91-57-0141	1	RIGHT BLADE
11	91-50-0355	1	FLOATING SKATE (RIGHT INSIDE)



## IMPORTANT

USE THIS PARTS ONLY IF YOUR SERIAL NUMBER IS INVOLVED:

#37430 OR ABOVE

**AGRIMETAL**  
RIGHT BLADE

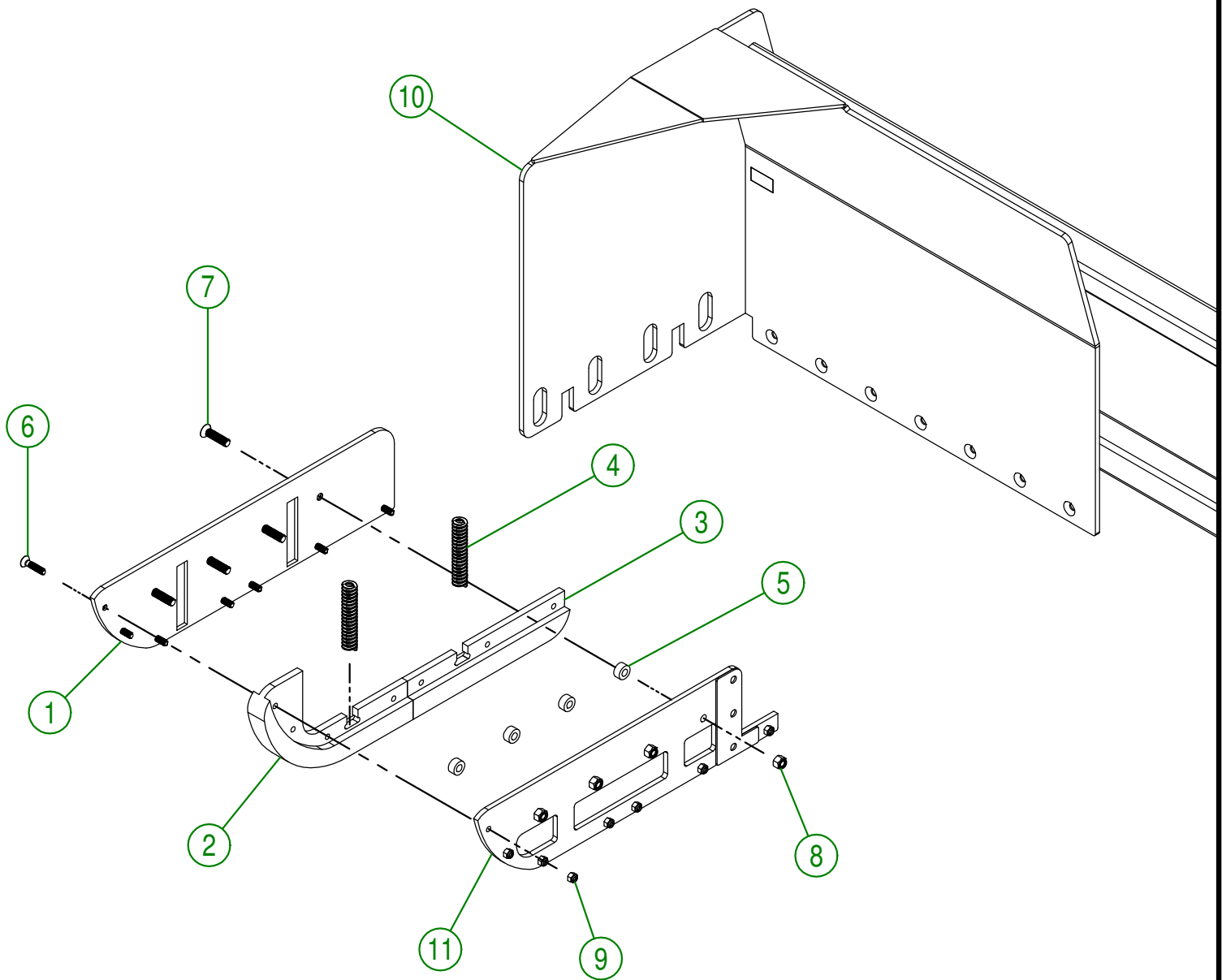
CREATION : 05/11/18  
REVISION : 25/10/19

ASSEMBLY : **91-57-0047**

AUTHOR : J. Houle

Page 6 de 12

#	PART #	Qty	TITLE
1	91-42-0403	1	FLOATING SKATE (LEFT EXT.)
2	91-42-0138	1	FLOATING SKATE (MIDDLE FRONT)
3	91-42-0150	1	FLOATING SKATE (MIDDLE BACK)
4	NC13-86-0052	2	SPRING 1/2" ID X 1" OD X 5" LG
5	91-09-0000	4	BUSHING
6	NC02-48-0535	7	STAINLESS FLAT HEAD SOCKET CAP SREW 3/8-16 X 1 3/4
7	NC02-48-0548	4	FLAT HEAD SOCKET CAP SCREW STAINLESS 1/2-13 X 2"
8	NC01-96-0014	4	NYLON INSERT LOCKNUT 1/2-13"
9	NC01-96-0011	7	NYLON NUT 3/8-16
10	91-57-0136	1	LEFT BLADE
11	91-50-0360	1	FLOATING SKATE (LEFT INSIDE)



## IMPORTANT

USE THIS PARTS ONLY IF YOUR SERIAL NUMBER IS INVOLVED:

#37430 OR ABOVE

**AGRIMETAL**  
LEFT BLADE

CREATION : 05/11/18  
REVISION : 25/10/19

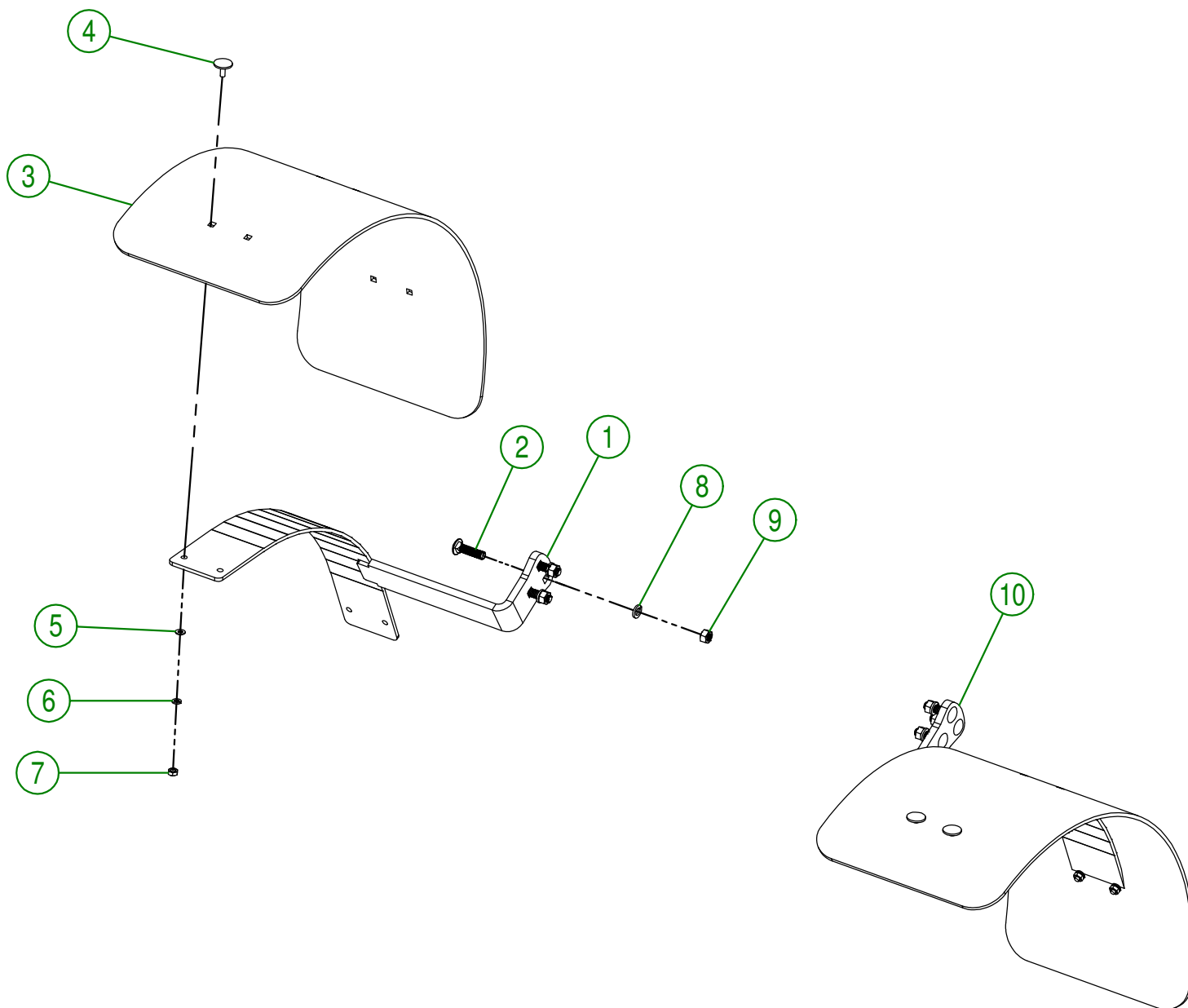
ASSEMBLY : **91-57-0052**

AUTHOR : J. Houle

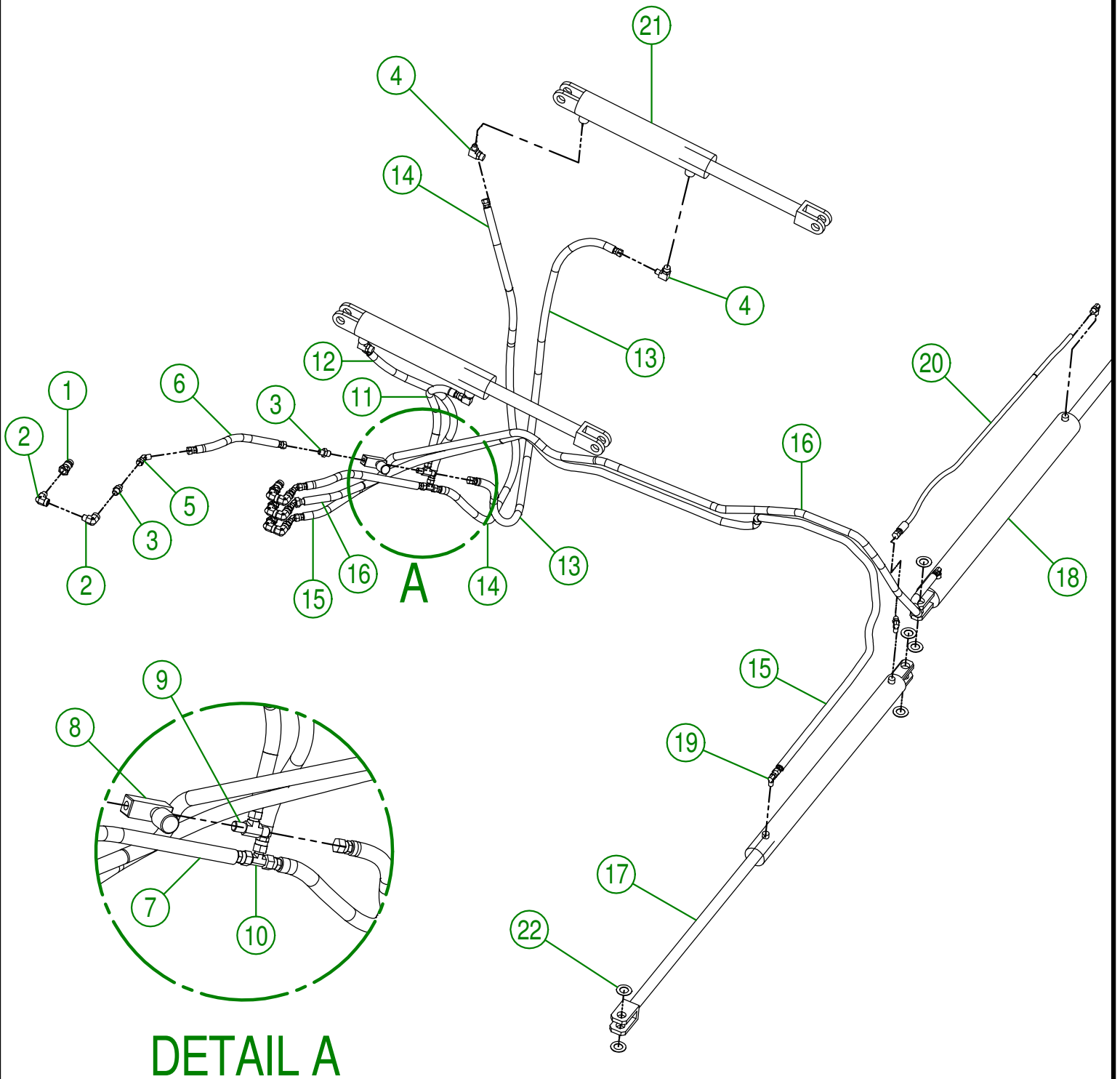
Page 7 de 12



#	PART #	Qty	TITLE
1	91-50-0155	1	RIGHT MUDE GUARD BRACKET
2	NC01-54-0200	6	CARR. BOLT STAINLESS 1/2-13 X 2"
3	91-42-0155	2	MUD GUARD
4	NC01-13-0062	12	ELEVATOR STAINLESS BOLT 5/16-18 X 1"
5	NC02-22-0008	12	WASHER ZINC 5/16"
6	NC02-32-0011	12	LOCK WASHER ZINC 5/16"
7	NC02-07-0017	12	HEX. NUT 5/16-18
8	NC02-32-0100	6	LOCK WASHER STAINLESS 1/2"
9	NC02-14-0100	6	HEX NUT STAINLESS 1/2-13
10	91-50-0157	1	LEFT MUDE GUARD BRACKET



<b>AGRIMETAL</b>	
<b>MUD GUARD GROUP</b>	
CREATION : 23/01/17	ASSEMBLY : <b>91-57-0320</b>
REVISION : 13/11/18	AUTHOR : J. HOULE   Page 8 de 12

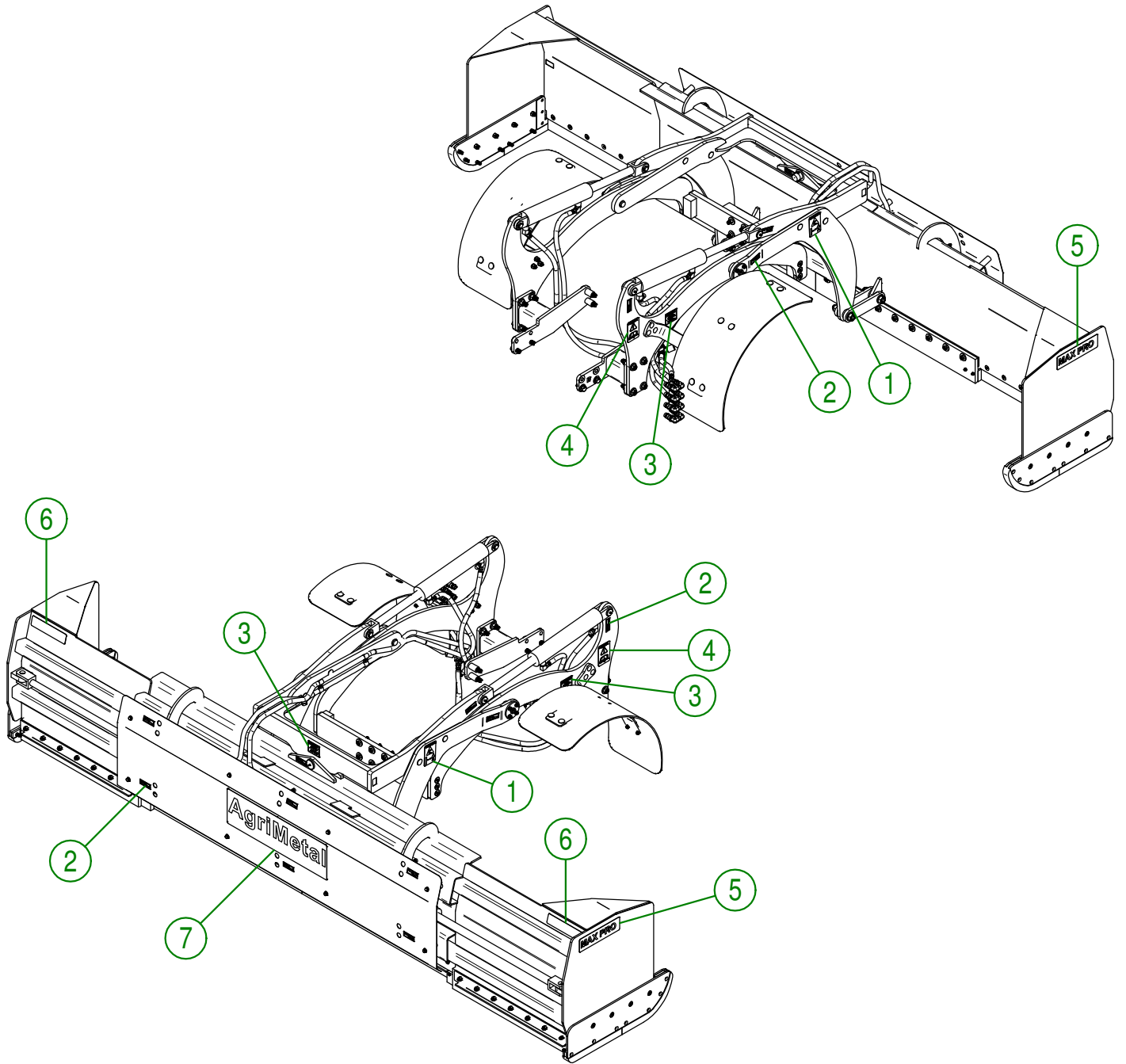


DETAIL A

<b>AGRIMETAL</b>	
<b>HYDRAULIC GROUP</b>	
CREATION : 07/02/19	ASSEMBLY : <b>91-57-0380</b>
REVISION : 07/02/19	AUTHOR : J.KABWE   Page 9 de 12

#	PART #	Qty	TITLE
1	NC13-45-0285	4	QUICK COUPLER 3/8 NPTF
2	NC13-45-0038	8	ELBOW 90 3/8 FEM. NPT X 3/8 MALE NPT
3	NC13-45-0288	5	STRAIGHT FITTING 1/2" MALE JIC X 3/8" MALE NPT
4	NC13-45-0242	4	90 DEG ELBOW
5	NC13-45-0270	4	45 DEG ELBOW
6	NC17-02-0378	1	HYDRAULIC HOSE 10 1/2"
7	NC17-02-0379	1	HYDRAULIC HOSE 14 7/8"
8	NC13-45-0241	1	FLOW CONTROLE 3/8" NPT FEMALE
9	NC13-45-0244	1	TEE FITTING 3/8" MALE NPT X 3/8" MALE JIC X 3/8" MAL JIC
10	NC13-45-0289	1	T 3/8 MALE JIC X 3/8 MALE JIC X 3/8 MALE JIC
11	NC17-02-0381	1	HYDRAULIC HOSE 21 1/4"
12	NC17-02-0381	1	HYDRAULIC HOSE 21 1/4"
13	NC17-02-0370	1	HYDRAULIC HOSE 50"
14	NC17-02-0370	1	HYDRAULIC HOSE 50"
15	NC17-02-0371	1	HYDRAULIC HOSE 88"
16	NC17-02-0371	1	HYDRAULIC HOSE 88"
17	NC13-45-0240	1	HYDRAULIC CYLINDER 2" X 30" STROKE
18	NC13-45-0239	1	HYDRAULIC CYLINDER 2 1/2" X 30" STROKE
19	NC13-45-0254	4	90 DEG ELBOW 9/16"-18 MALE SAE6 O RING X 3/8" MALE JIC
20	NC17-02-0353	1	HYDRAULIC HOSE 39 3/4"
21	NC13-45-0257	2	HYDRAULIC CYLINDER 2 1/2" X 12" STROKE
22	91-22-2200	8	FLAT WASHER HYDRAULIC CYLINDER

#	PART #	Qty	TITLE
1	NCI3-33-0268	2	STICKER WARNING
2	NCI3-33-0024	14	STICKER GREASE HERE
3	NCI3-33-0319	3	STICKER IMPORTANT GREASE EVERY 5 HOURS
4	NCI3-33-0183	2	STICKER CAUTION OPERATION MANUAL
5	NCI3-33-0265	2	STICKER MAX PRO
6	28-60-0050	2	STICKER SCOTCHLITE
7	NCI3-33-0318	1	STICKER AGRIMETAL INC (XL)



<b>AGRIMETAL</b>	
<b>MAX-PRO 7-12 B (MF 1760M)</b>	
CREATION : 07/02/19	ASSEMBLY : <b>91-99-2300</b>
REVISION : 07/02/19	AUTHOR : J.KABWE   Page 11 de 12