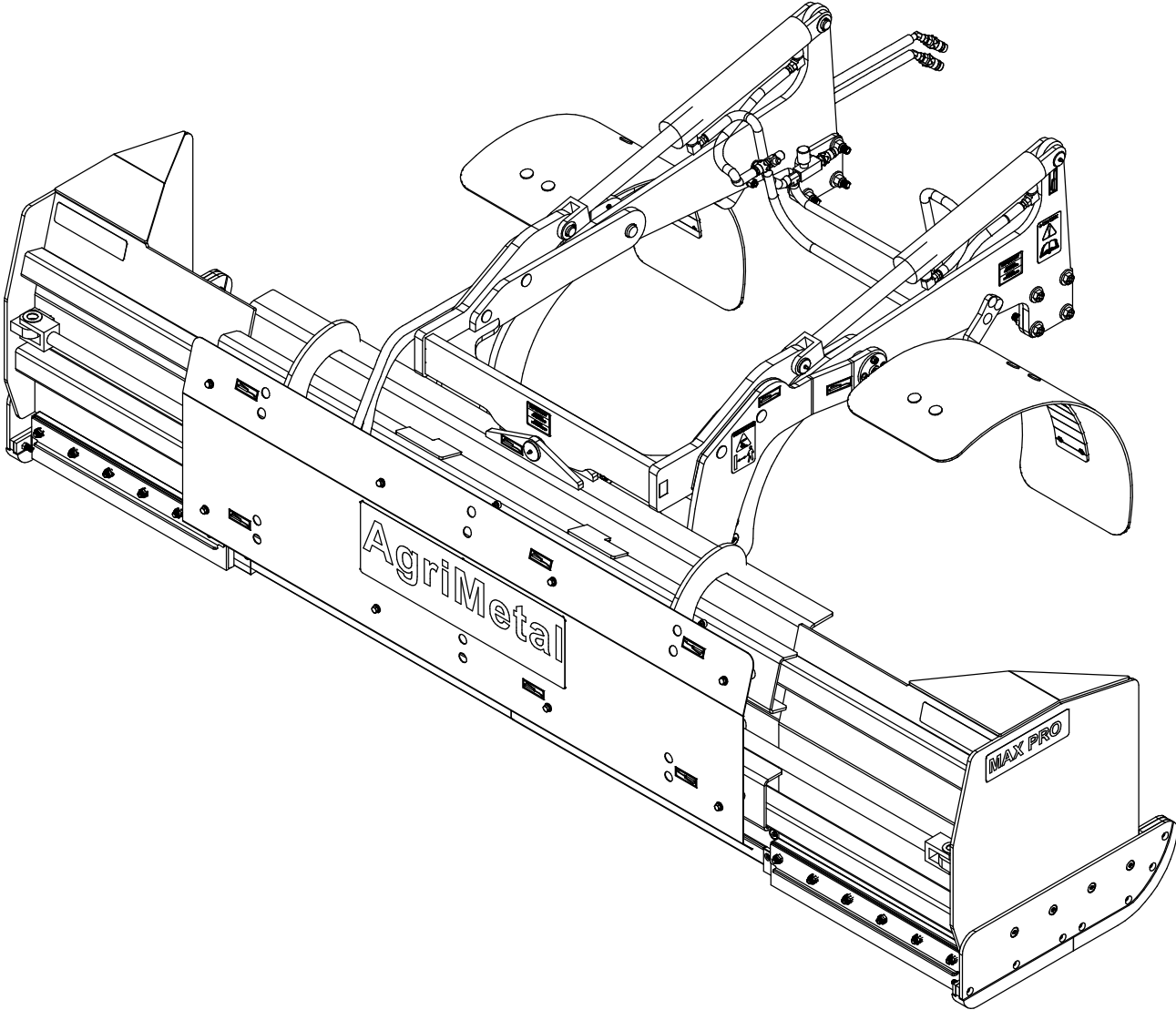


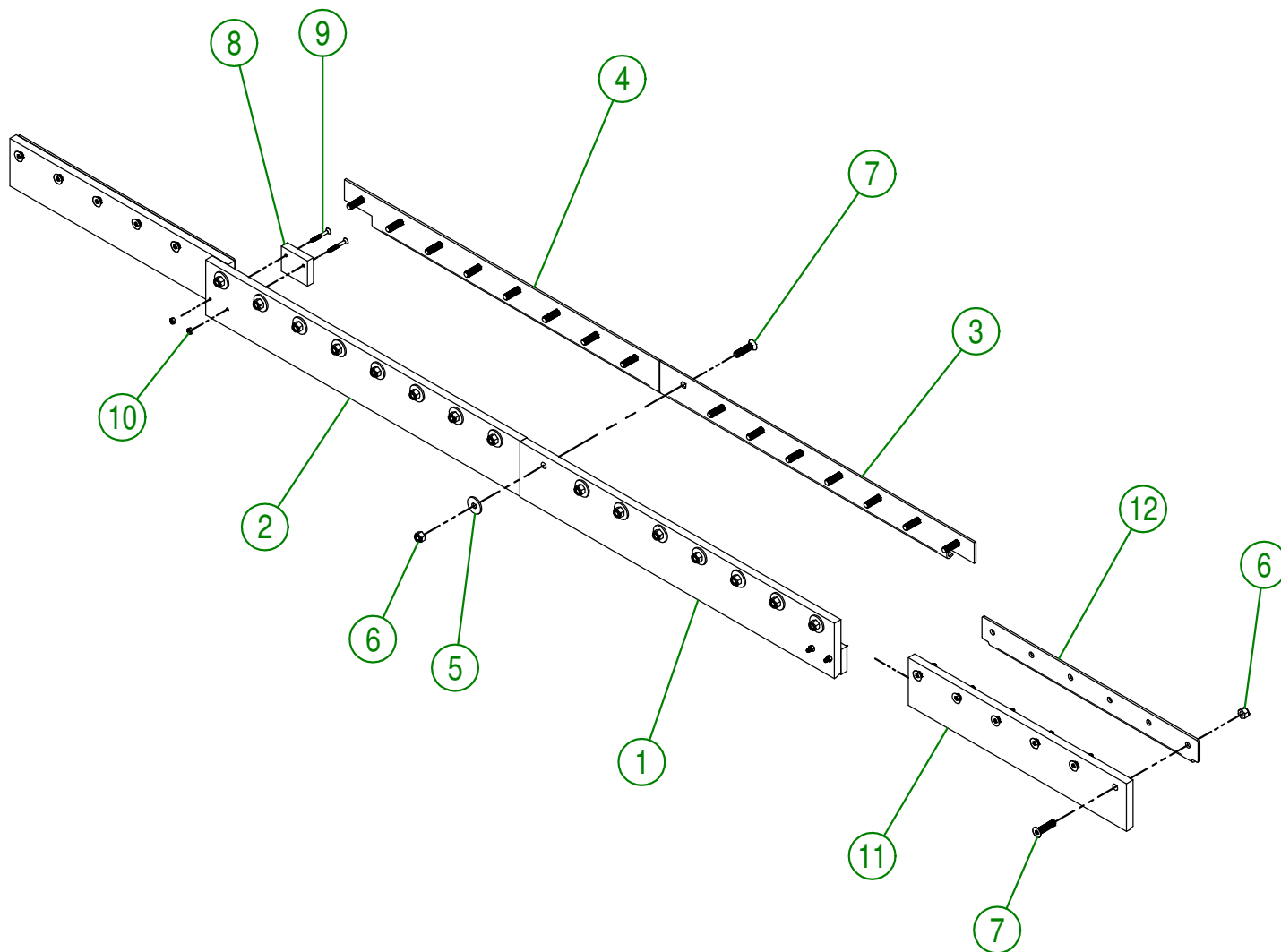
AgriMetal

PARTS LIST



MAX PRO JOHN DEERE 3R 6-10 B

#	PART #	Qty	TITLE
1	92-42-0003	1	INSIDE RUBBER KNIFE (RIGHT)
2	92-42-0000	1	INSIDE RUBBER KNIFE (LEFT)
3	92-04-0021	1	KNIFE BRACE (RIGHT)
4	92-04-0024	1	KNIFE BRACE (LEFT)
5	91-20-0150	16	WASHER
6	NC01-96-0014	28	NYLON INSERT LOCKNUT 1/2-13"
7	NC02-48-0548	28	FLAT HEAD SOCKET CAP SCREW STAINLESS 1/2-13 X 2"
8	92-42-0121	2	SNOW GUARD
9	NC02-48-0582	4	FLAT HEAD SOCKET CAP SCREW STAINLESS 1/4-20 X 2"
10	NC01-96-0009	4	NYLON-INSERT LOCKNUT ZINC 1/4-20
11	92-42-0005	2	OUTSIDE RUBBER KNIFE
12	92-04-0016	2	KNIFE BRACE (OUTSIDE)



AGRIMETAL
RUBBER KNIFE GROUP

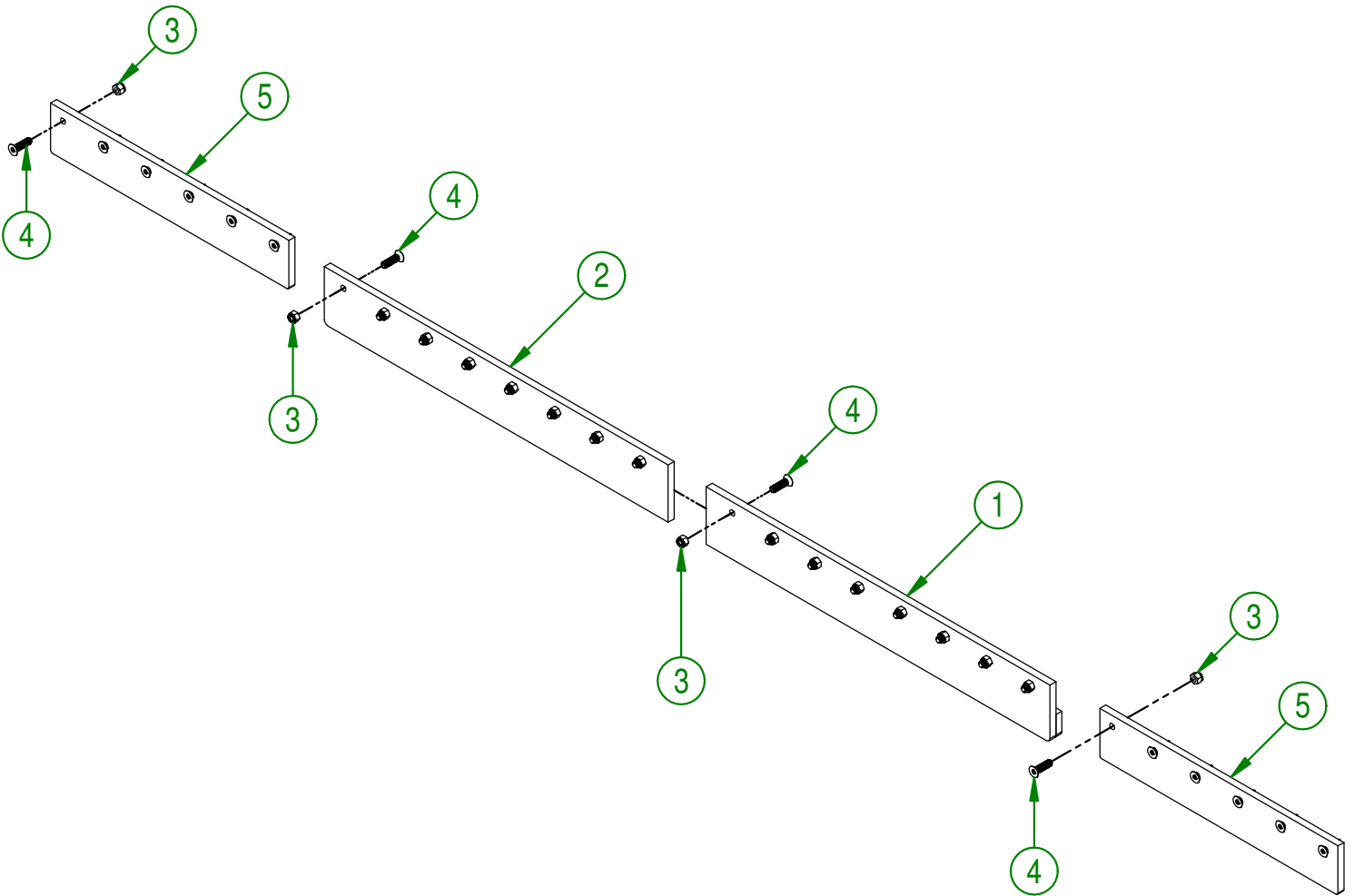
CREATION : 09/05/17
 REVISION : 29/12/17

ASSEMBLY : **92-57-0195**

AUTHOR : J. Houle

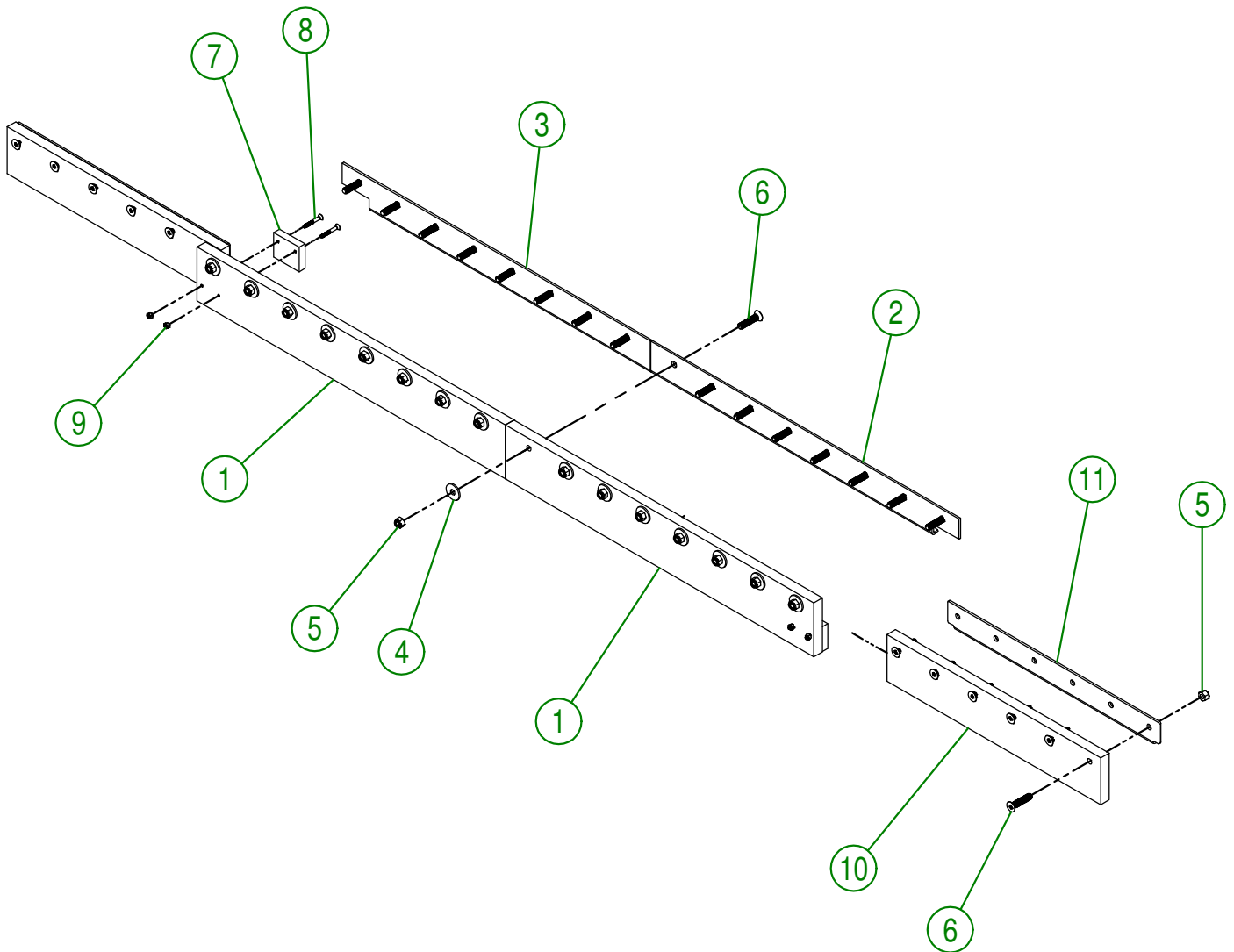
Page 1 de 13

#	PART #	Qty	TITLE
1	92-50-0052	1	RIGHT CENTER KNIFE
2	92-50-0057	1	LEFT CENTER KNIFE
3	NC01-96-0014	28	NYLON INSERT LOCKNUT 1/2-13"
4	NC02-48-0547	28	FLAT HEAD SOCKET CAP SCREW STAINLESS 1/2-13 X 1 3/4
5	92-20-0379	2	KNIFE SIDE QT 400

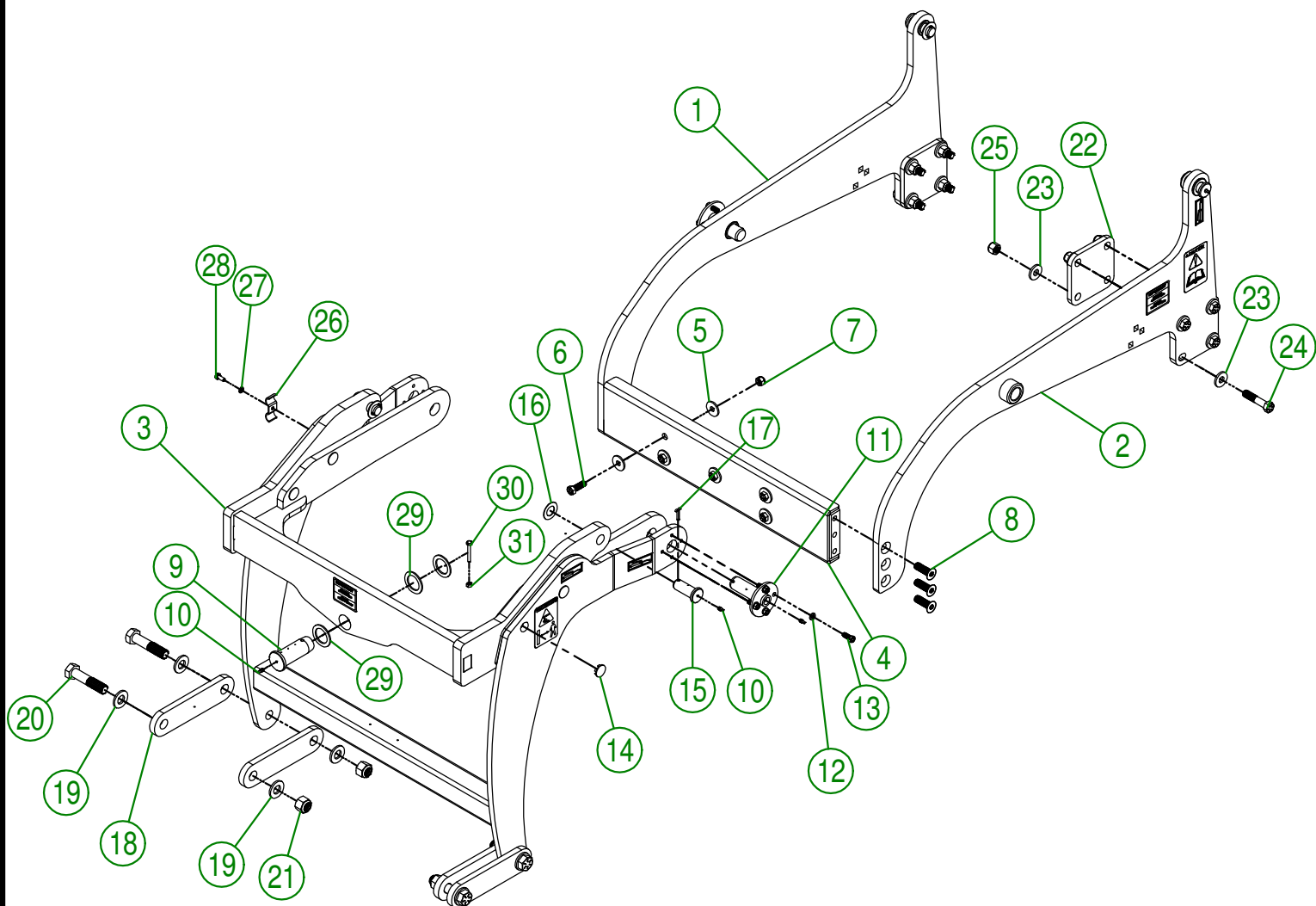


AGRIMETAL			
QT KNIFE GROUP			
CREATION : 09/05/17	ASSEMBLY :	92-57-0201	
REVISION : 29/12/17	AUTHOR : J.H.	Page 2 de 13	

#	PART #	Qty	TITLE
1	92-42-0133	2	INSIDE KNIFE (UHMW)
2	92-04-0021	1	KNIFE BRACE (RIGHT)
3	92-04-0024	1	KNIFE BRACE (LEFT)
4	91-20-0150	16	WASHER
5	NC01-96-0014	28	NYLON INSERT LOCKNUT 1/2-13"
6	NC02-48-0549	28	STAINLESS FLAT HEAD SOCKET CAP SCREW 1/2-13 X 2 1/4"
7	92-42-0121	2	SNOW GUARD
8	NC02-48-0582	4	FLAT HEAD SOCKET CAP SCREW STAINLESS 1/4-20 X 2"
9	NC01-96-0009	4	NYLON-INSERT LOCKNUT ZINC 1/4-20
10	92-42-0149	2	OUTSIDE KNIFE (UHMW)
11	92-04-0016	2	KNIFE BRACE (OUTSIDE)



AGRIMETAL			
UHMW KNIFE GROUP			
CREATION : 09/05/17	ASSEMBLY :	92-57-0206	
REVISION : 09/11/18	AUTHOR : J.H.	Page 3 de 13	



AGRIMETAL	
JD 3R SUBFRAME GROUP	
CREATION : 05/10/16	ASSEMBLY : 92-57-0300
REVISION : 14/02/19	AUTHOR : JA. H. Page 4 de 13

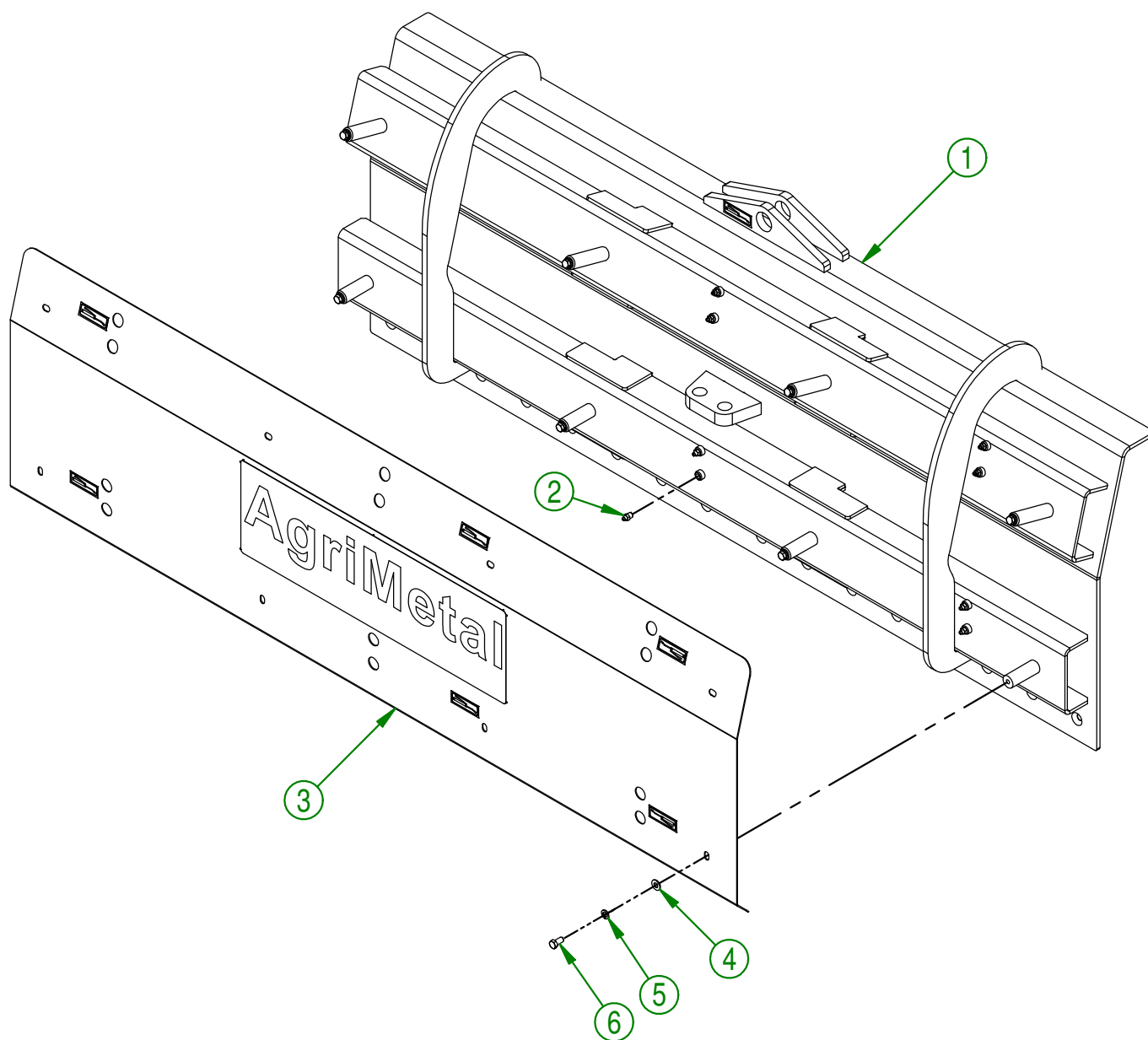
#	PART #	Qty	TITLE
1	92-57-0310	1	RIGHT SUBFRAME GROUP
2	92-57-0315	1	LEFT SUBFRAME GROUP
3	92-57-0305	1	MOBILE SUBFRAME JD 3R
4	91-50-0035	1	FRONT PLATE
5	91-20-0150	10	WASHER
6	NC01-33-0249	5	CAP SCREW GR8 NC ZINC 1/2-13 X 1 1/2" LG
7	NC01-93-0014	5	LOCK NUT ZINC 1/2-13
8	NC02-48-0562	6	FLAT HEAD SOCKET CAP SCREW STAINLESS 5/8-11 X 1 1/2"
9	91-13-2800	1	CENTER PIVOT SHAFT
10	NC01-69-0785	7	STRAIGHT GREASE FITTING 1/4-28
11	91-50-0030	2	SUBFRAME PIVOT
12	NC02-32-0012	8	LOCK WASHER ZINC 3/8"
13	NC01-37-0114	8	BOLT GR8 3/8" X 1"
14	NC13-80-0273	8	BLACK CAP 1" DIA
15	91-20-0210	4	CYLINDER PIVOT
16	91-22-2200	4	FLAT WASHER HYDRAULIC CYLINDER
17	NC01-69-0159	4	COTTER PIN ZINC 3/16 X 1 1/2"
18	91-04-1420	4	BLADE CONNECTOR
19	NC17-57-0052	8	FLAT WASHER
20	NC01-33-0504	4	CAP SCREW GR8 7/8-9 X 4
21	NC01-96-0018	4	NYLON INSERT NUT 7/8-9
22	91-04-1030	2	SPACER
23	91-20-0155	16	FLAT WASHER
24	NC01-33-0400	8	CAP SCREW GR8 NC ZINC 5/8-11 X 3" LG
25	NC01-96-0016	8	NYLON INSERT NUT 5/8-11
26	91-01-0020	1	HYDRAULIC HOSE PROTECTOR
27	NC02-32-0011	1	LOCK WASHER ZINC 5/16"
28	NC01-17-0058	1	HEX. BOLT GR2 ZINC 5/16-18 X 3/4"
29	92-01-0005	3	WASHER 2 1/4" DIA. X 1 9/16"
30	NC01-17-0010	1	HEX. BOLT GR2 NC ZINC 1/4-20 X 2"
31	NC01-93-0001	1	HEX. NUT NC ZINC 1/4-20

AGRIMETAL**JD 3R SUBFRAME GROUP**

CREATION : 05/10/16
 REVISION : 14/02/19

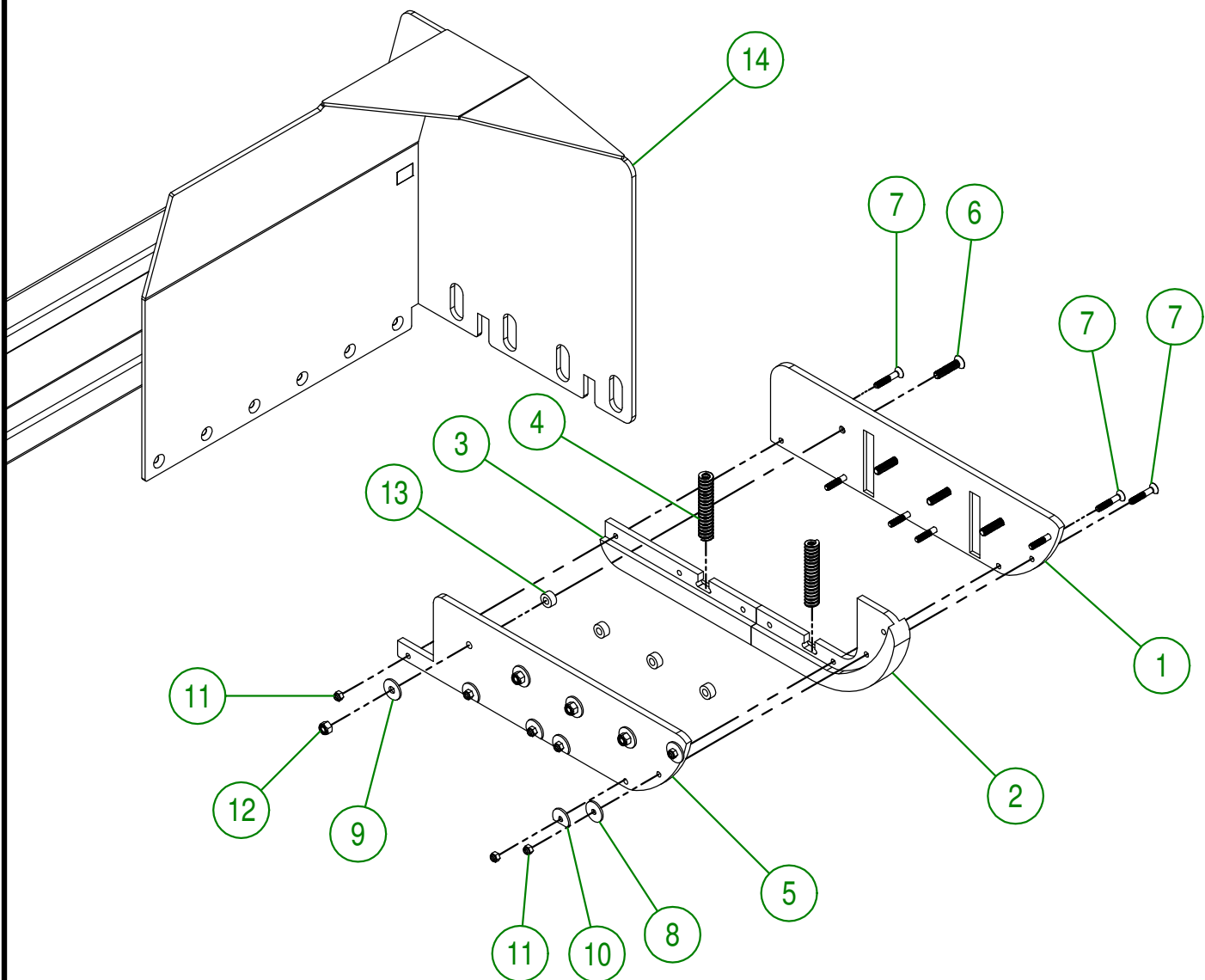
ASSEMBLY : 92-57-0300
 AUTHOR : JA. H. Page 5 de 13

#	PART #	Qty	TITLE
1	92-57-0261	1	CENTRAL BLADE MAX PRO 6-10 INCLUDED STICKER GROUP.
2	NC01-69-0791	12	GREASE FITTING 1/8 NPT STRAIGHT
3	92-57-0500	1	HYDRAULIC CYLINDER GUARD
4	01-01-2485	8	FLAT WASHER 14 GA X 13/16"OD X 25/64" ID
5	NC02-32-0012	8	LOCK WASHER ZINC 3/8"
6	NC01-17-0112	8	HEX. BOLT GR2 ZINC 3/8-16 X 3/4"



AGRIMETAL	
BLADE 6-10 GROUP	
CREATION : 22/03/18	ASSEMBLY : 92-57-0021
REVISION : 15/10/18	AUTHOR : J.KABWE Page 6 de 13

#	PART #	Qty	TITLE
1	91-42-0144	1	FLOATING SKATE (RIGHT OUTSIDE)
2	NC13-15-0325	1	FLOATING SKATE (MIDDLE FRONT)
3	NC13-15-0323	1	FLOATING SKATE (MIDDLE BACK)
4	NC13-86-0052	2	SPRING 1/2" ID X 1" OD X 5" LG
5	91-42-0142	1	FLOATING SKATE (RIGHT INSIDE)
6	NC02-48-0549	4	STAINLESS FLAT HEAD SOCKET CAP SCREW 1/2-13 X 2 1/4"
7	NC02-48-0537	7	STAINLESS FLAT HEAD SOCKET CAP SCREW 3/8-16 X 2 1/4"
8	91-20-0163	2	WASHER
9	91-20-0150	4	WASHER
10	91-20-0160	4	WASHER
11	NC01-96-0011	7	NYLON NUT 3/8-16
12	NC01-96-0014	4	NYLON INSERT LOCKNUT 1/2-13"
13	91-09-0000	4	BUSHING
14	92-57-0266	1	RIGHT BLADE



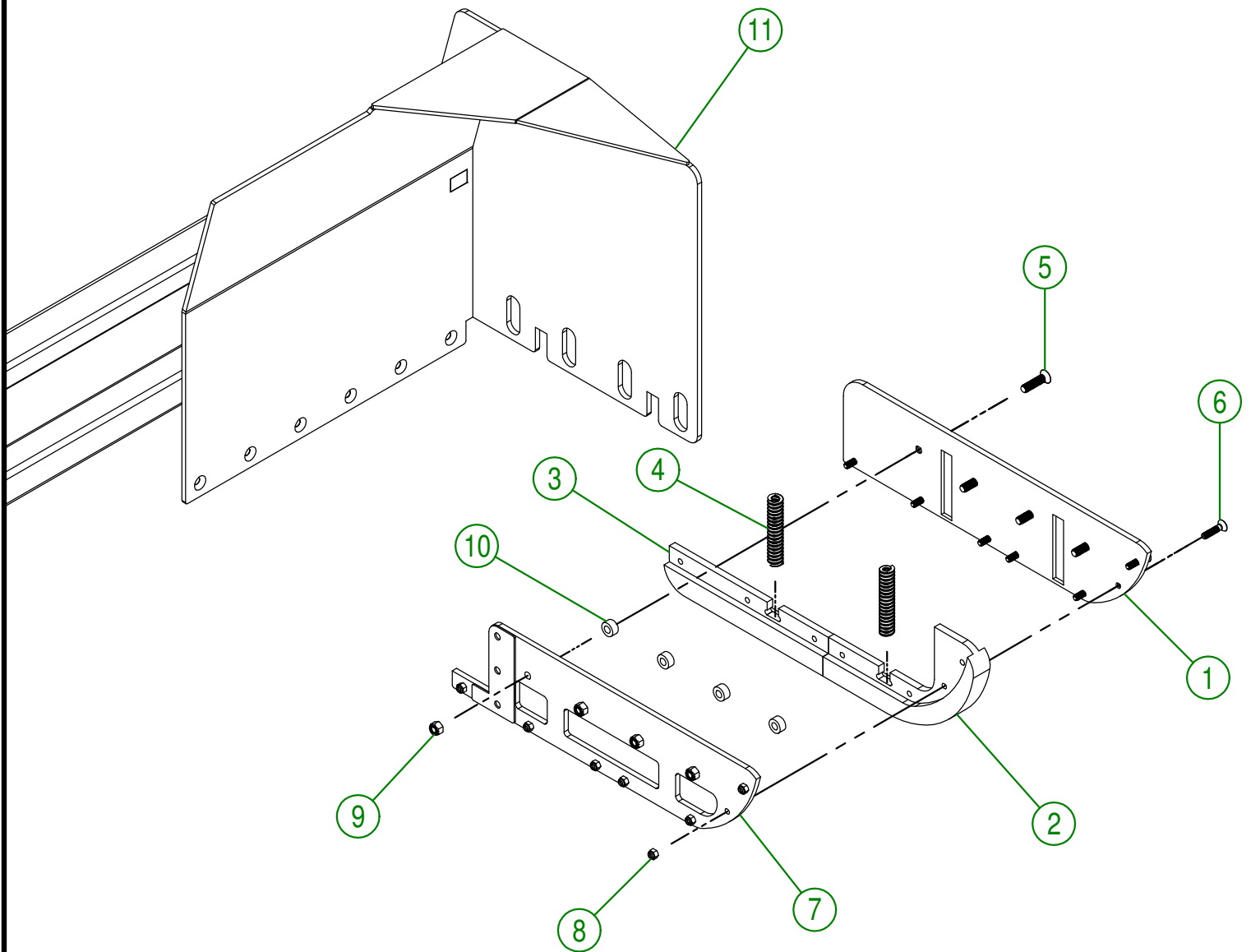
IMPORTANT

USE THIS PARTS ONLY IF YOUR SERIAL NUMBER IS INVOLVED:

#37424 OR UNDER

AGRIMETAL	
RIGHT BLADE GROUP	
CREATION : 08/05/17	ASSEMBLY : 92-57-0046
REVISION : 10/01/19	AUTHOR : J.H. Page 7 de 13

#	PART #	Qty	TITLE
1	91-42-0400	1	FLOATING SKATE (RIGHT OUTSIDE)
2	91-42-0138	1	FLOATING SKATE (MIDDLE FRONT)
3	91-42-0150	1	FLOATING SKATE (MIDDLE BACK)
4	NC13-86-0052	2	SPRING 1/2" ID X 1" OD X 5" LG
5	NC02-48-0548	4	FLAT HEAD SOCKET CAP SCREW STAINLESS 1/2-13 X 2"
6	NC02-48-0535	7	STAINLESS FLAT HEAD SOCKET CAP SREW 3/8-16 X 1 3/4
7	91-50-0355	1	FLOATING SKATE (RIGHT INSIDE)
8	NC01-96-0011	7	NYLON NUT 3/8-16
9	NC01-96-0014	4	NYLON INSERT LOCKNUT 1/2-13"
10	91-09-0000	4	BUSHING
11	92-57-0266	1	RIGHT BLADE



IMPORTANT

USE THIS PARTS ONLY IF YOUR SERIAL NUMBER IS INVOLVED:

#37430 OR ABOVE

AGRIMETAL
RIGHT BLADE

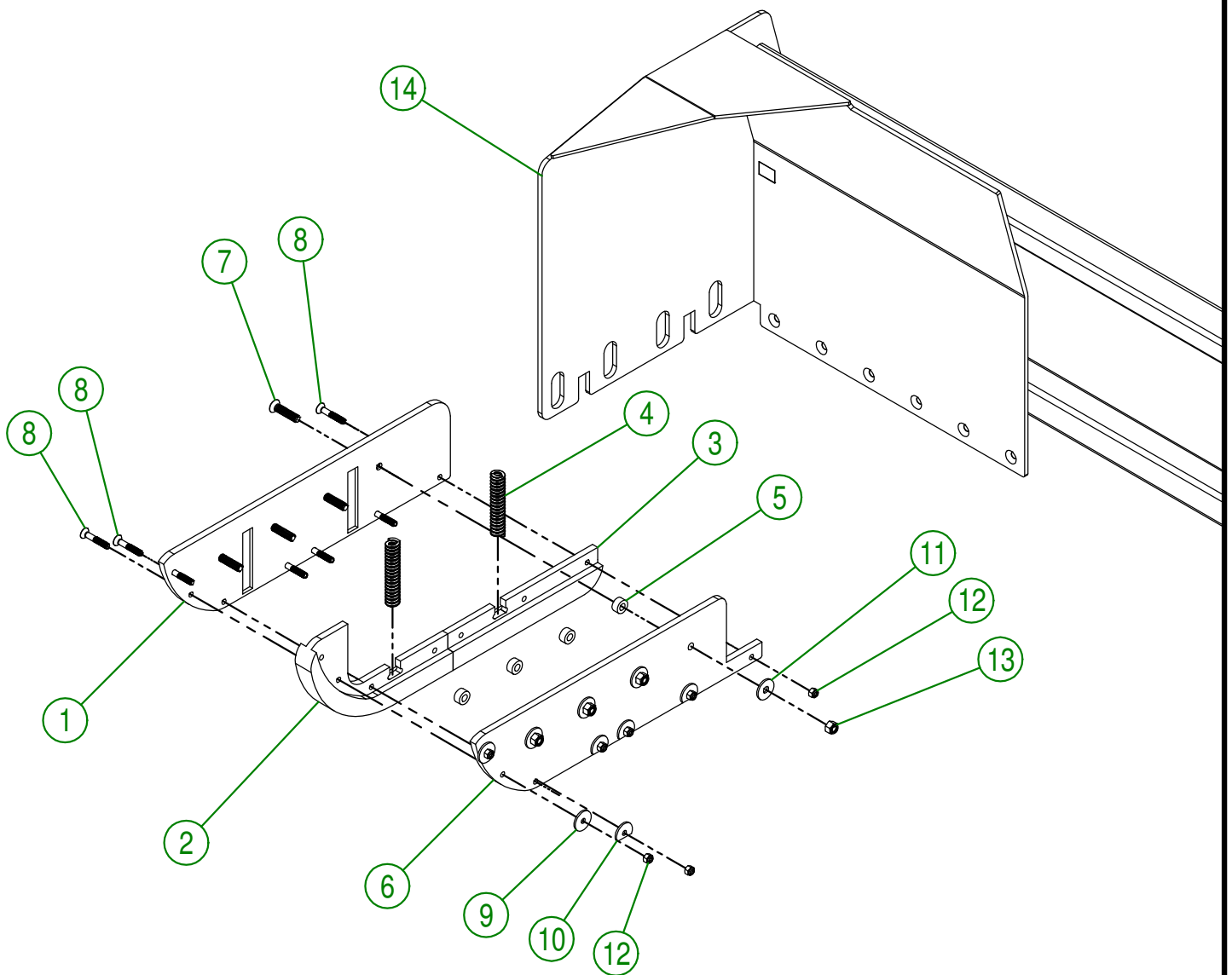
CREATION : 05/11/18
REVISION : 28/10/19

ASSEMBLY : **92-57-0047**

AUTHOR : J. Houle

Page 8 de 13

#	PART #	Qty	TITLE
1	91-42-0140	1	FLOATING SKATE (LEFT EXT.)
2	NC13-15-0325	1	FLOATING SKATE (MIDDLE FRONT)
3	NC13-15-0323	1	FLOATING SKATE (MIDDLE BACK)
4	NC13-86-0052	2	SPRING 1/2" ID X 1" OD X 5" LG
5	91-09-0000	4	BUSHING
6	91-42-0136	1	FLOATING SKATE (LEFT INT.)
7	NC02-48-0549	4	STAINLESS FLAT HEAD SOCKET CAP SCREW 1/2-13 X 2 1/4"
8	NC02-48-0537	7	STAINLESS FLAT HEAD SOCKET CAP SCREW 3/8-16 X 2 1/4"
9	91-20-0163	2	WASHER
10	91-20-0160	4	WASHER
11	91-20-0150	4	WASHER
12	NC01-96-0011	7	NYLON NUT 3/8-16
13	NC01-96-0014	4	NYLON INSERT LOCKNUT 1/2-13"
14	92-57-0271	1	LEFT BLADE



IMPORTANT

USE THIS PARTS ONLY IF YOUR SERIAL NUMBER IS INVOLVED:

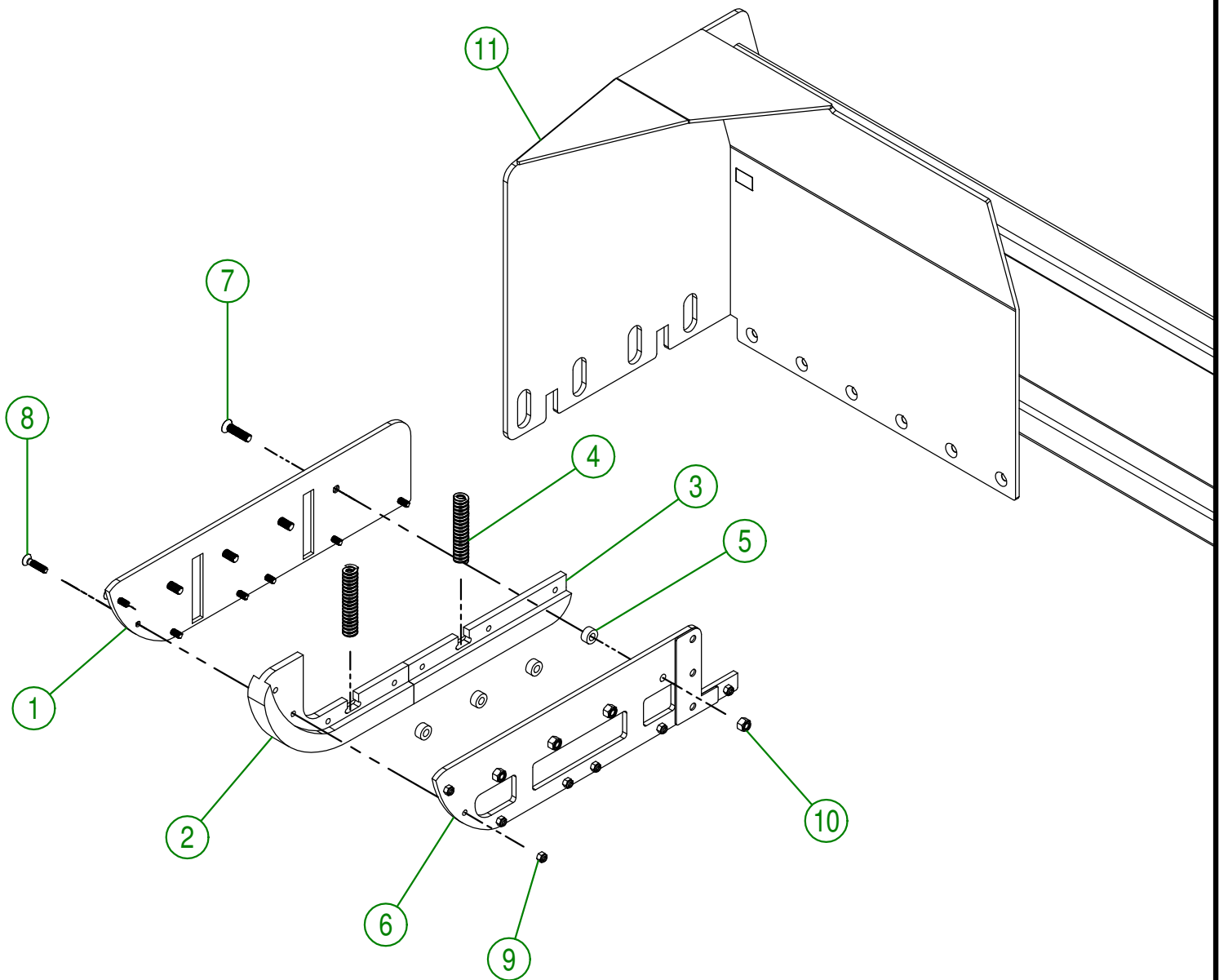
#37424 OR UNDER

AGRIMETAL LEFT BLADE GROUP.

CREATION : 08/05/17
REVISION : 10/01/19

ASSEMBLY : 92-57-0051
AUTHOR : J.H. Page 9 de 13

#	PART #	Qty	TITLE
1	91-42-0403	1	FLOATING SKATE (LEFT EXT.)
2	91-42-0138	1	FLOATING SKATE (MIDDLE FRONT)
3	91-42-0150	1	FLOATING SKATE (MIDDLE BACK)
4	NC13-86-0052	2	SPRING 1/2" ID X 1" OD X 5" LG
5	91-09-0000	4	BUSHING
6	91-50-0360	1	FLOATING SKATE (LEFT INSIDE)
7	NC02-48-0548	4	FLAT HEAD SOCKET CAP SCREW STAINLESS 1/2-13 X 2"
8	NC02-48-0535	7	STAINLESS FLAT HEAD SOCKET CAP SREW 3/8-16 X 1 3/4
9	NC01-96-0011	7	NYLON NUT 3/8-16
10	NC01-96-0014	4	NYLON INSERT LOCKNUT 1/2-13"
11	92-57-0271	1	LEFT BLADE



IMPORTANT

USE THIS PARTS ONLY IF YOUR SERIAL NUMBER IS INVOLVED:

#37430 OR ABOVE

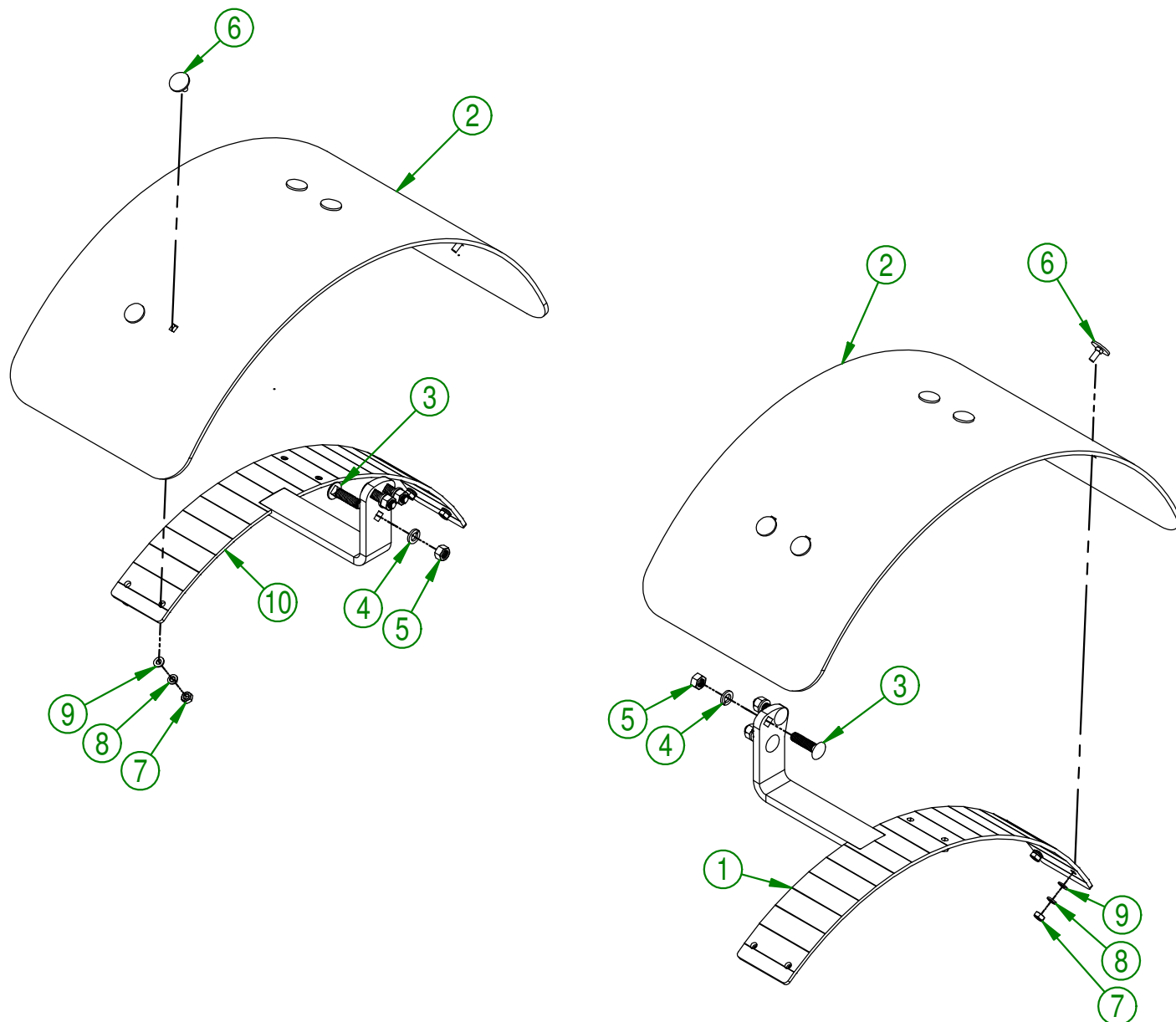
AGRIMETAL
LEFT BLADE GROUP.

CREATION : 05/11/18
REVISION : 28/10/19

ASSEMBLY : **92-57-0052**

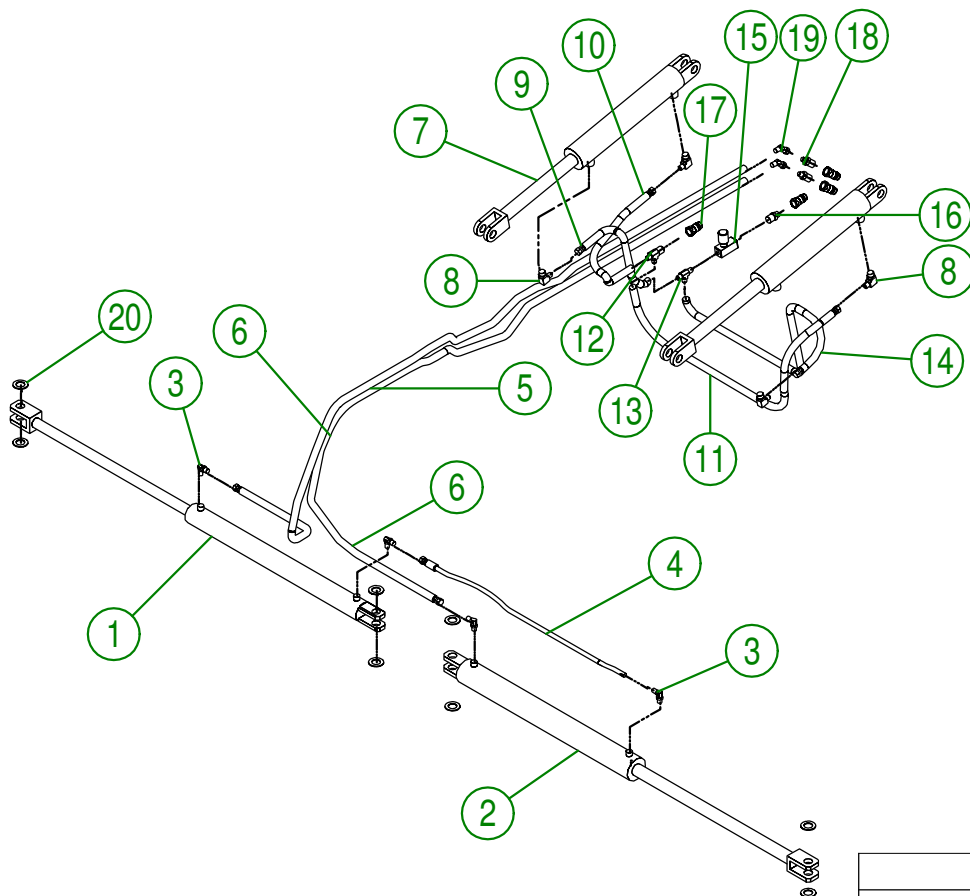
AUTHOR : J. Houle Page 10 de 13

#	PART #	Qty	TITLE
1	92-50-0115	1	RIGH MUD GUARD
2	91-42-0155	2	MUD GUARD
3	NC01-54-0200	6	CARR. BOLT STAINLESS 1/2-13 X 2"
4	NC02-32-0100	6	LOCK WASHER STAINLESS 1/2"
5	NC02-14-0100	6	HEX NUT STAINLESS 1/2-13
6	NC01-13-0062	12	ELEVATOR STAINLESS BOLT 5/16-18 X 1"
7	NC02-07-0017	12	HEX. NUT 5/16-18
8	NC02-32-0011	12	LOCK WASHER ZINC 5/16"
9	NC02-22-0008	12	WASHER ZINC 5/16"
10	92-50-0120	1	LEFT MUD GUARD



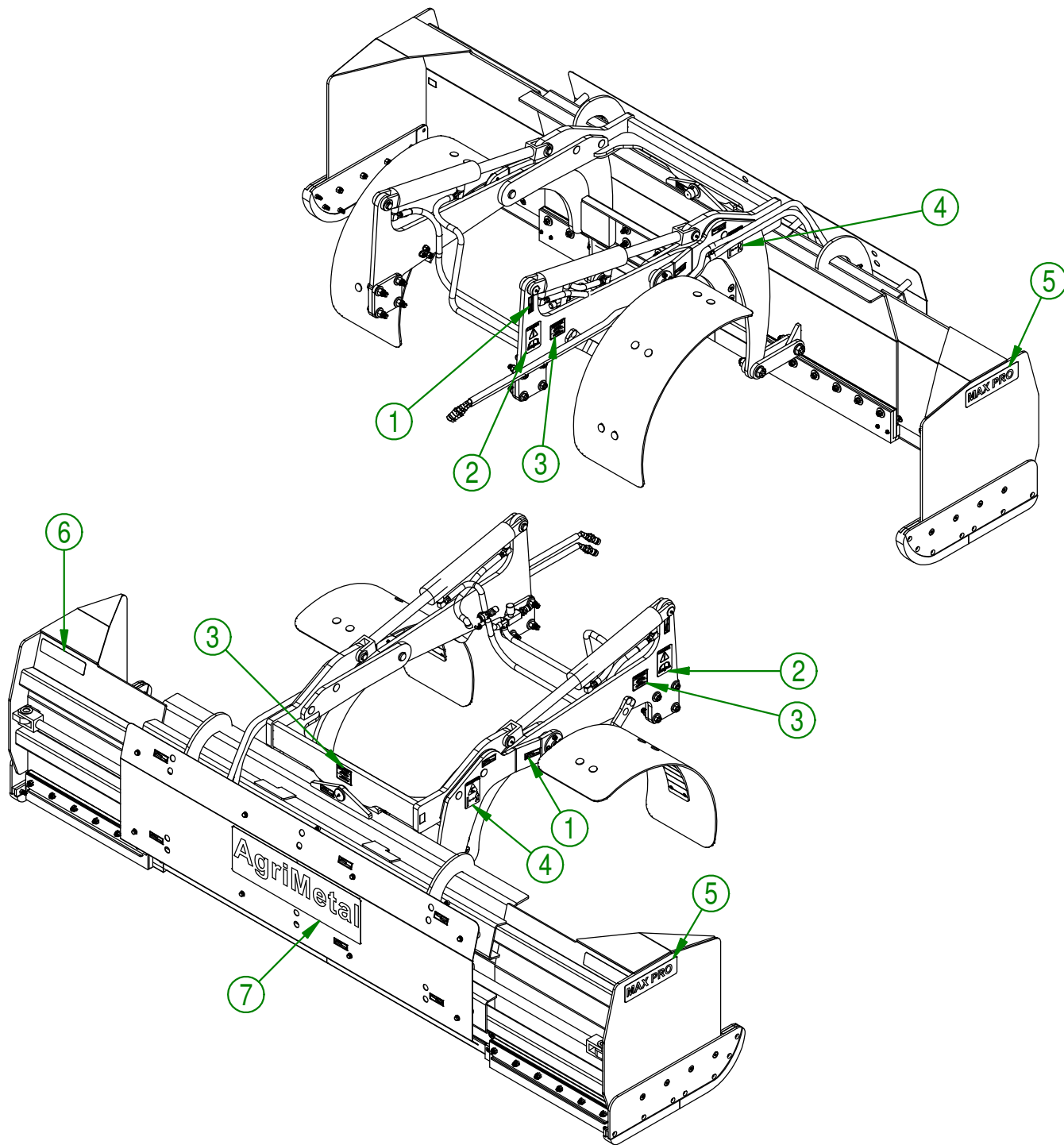
AGRIMETAL	
MUD GUARD GROUP	
CREATION : 04/10/16	ASSEMBLY : 92-57-0190
REVISION : 15/01/18	AUTHOR : JA. H. Page 11 de 13

#	PART #	Qty	TITLE
1	NCI3-45-0238	1	HYDRAULIC CYLINDER 2" X 24" STROKE
2	NCI3-45-0237	1	HYDRAULIC CYLINDER 2 1/2" X 24" STROKE
3	NCI3-45-0254	4	90 DEG ELBOW 9/16"-18 MALE SAE6 O RING X 3/8" MALE JIC
4	NCI7-02-0351	1	HYDRAULIC HOSE 34"
5	NCI7-02-0369	1	HYDRAULIC HOSE 82"
6	NCI7-02-0371	1	HYDRAULIC HOSE 88"
7	NCI3-45-0257	2	HYDRAULIC CYLINDER 2 1/2" X 12" STROKE
8	NCI3-45-0242	4	90 DEG ELBOW
9	NCI7-02-0361	1	HYDRAULIC HOSE 24"
10	NCI7-02-0350	1	HYDRAULIC HOSE 26"
11	NCI7-02-0370	1	HYDRAULIC HOSE 50"
12	NCI3-45-0287	1	T 1/2 MALE NPT X 3/8 MALE JIC X 3/8 MALE JIC
13	NCI3-45-0244	1	TEE FITTING 3/8" MALE JIC X 3/8" MALE JIC X 3/8" MAL JIC
14	NCI7-02-0370	1	HYDRAULIC HOSE 50"
15	NCI3-45-0241	1	FLOW CONTROLE 3/8" NPT FEMALE
16	NCI3-45-0246	1	HEX 1/2" MALE NPT X 3/8" MALE NPT
17	NCI3-45-0014	4	QUICK COUPLER 1/2-14 NPTF
18	NCI3-45-0247	2	STRAIGHT FITTING 1/2" MALE NPT X 3/8" MALE JIC
19	NCI3-45-0270	2	45 DEG ELBOW
20	91-22-2200	8	FLAT WASHER HYDRAULIC CYLINDER



AGRIMETAL	
HYDRAULIC GROUP	
CREATION : 04/10/16	ASSEMBLY : 92-57-0320
REVISION : 14/02/19	AUTHOR : JA. H. Page 12 de 13

#	PART #	Qty	TITLE
1	NCI3-33-0024	14	STICKER GREASE HERE
2	NCI3-33-0183	2	STICKER CAUTION OPERATION MANUAL
3	NCI3-33-0319	3	STICKER IMPORTANT GREASE EVERY 5 HOURS
4	NCI3-33-0268	2	STICKER WARNING
5	NCI3-33-0265	2	STICKER MAX PRO
6	28-60-0050	2	STICKER SCOTCHLITE
7	NCI3-33-0318	1	STICKER AGRIMETAL INC (XL)



AGRIMETAL	
MAX PRO JD 3R 6-10 B	
CREATION : 15/01/18	ASSEMBLY : 92-99-0001
REVISION : 14/02/19	AUTHOR : J.KABWE Page 13 de 13