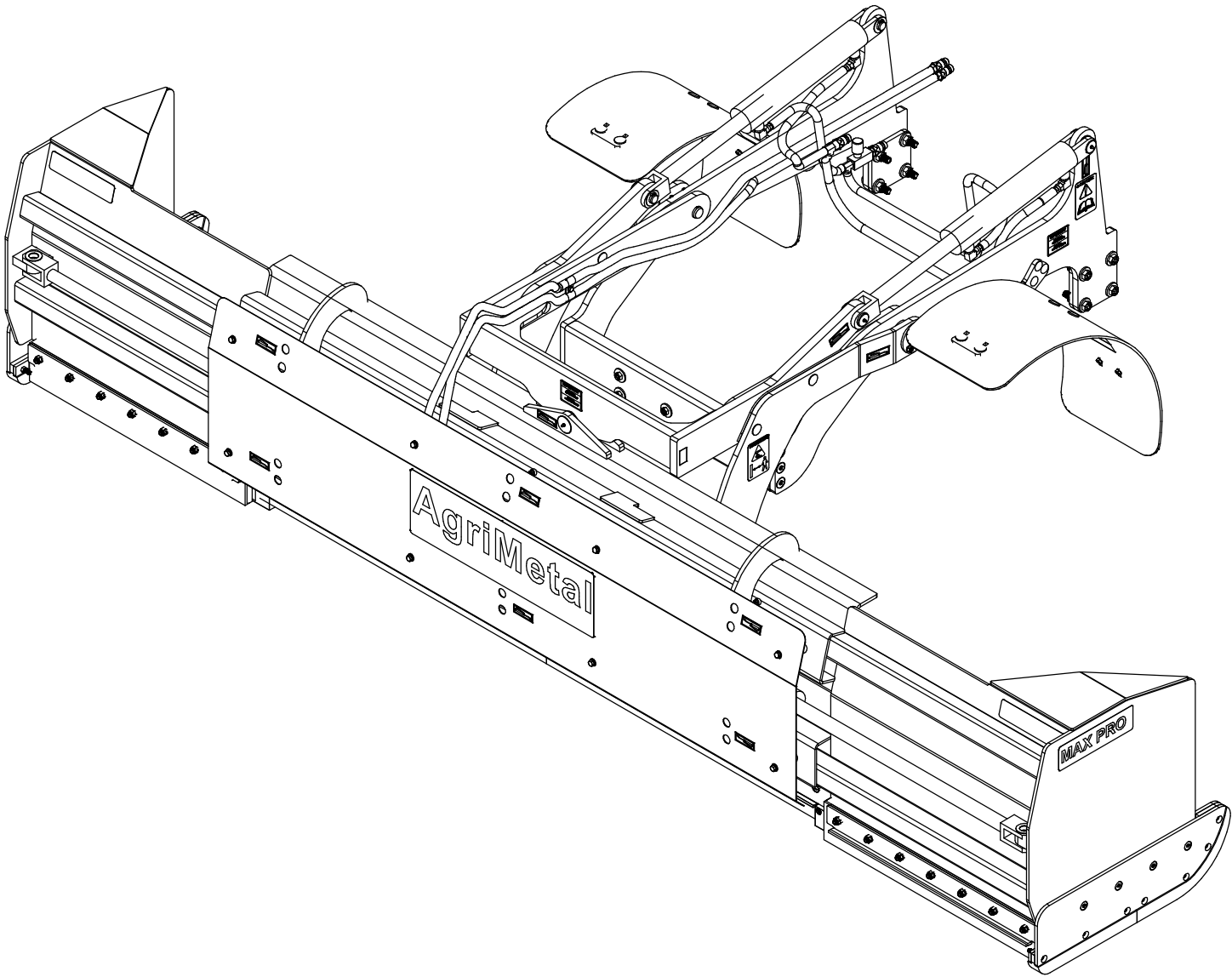


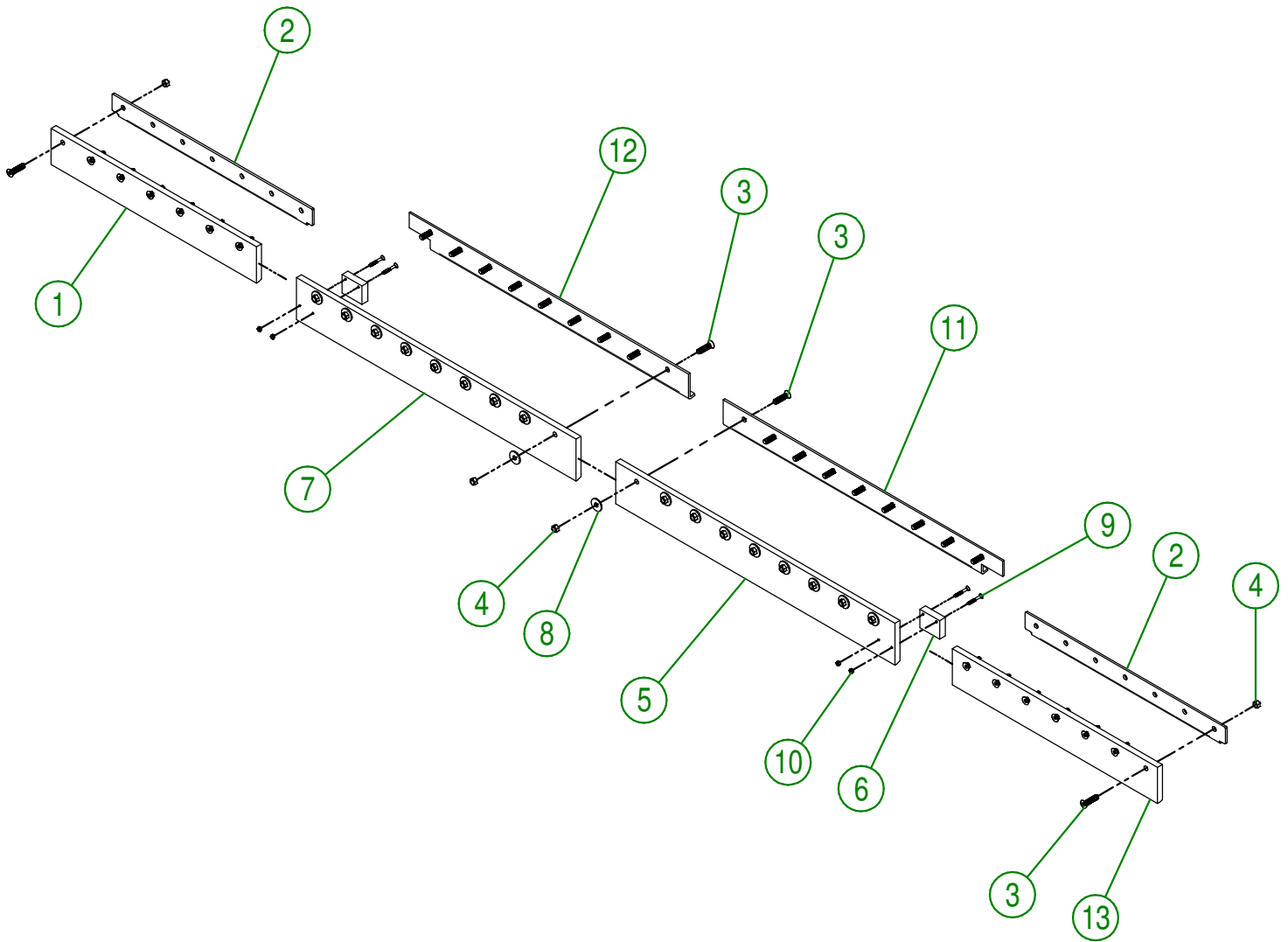
AgriMetal

PARTS LIST



MAX PRO JOHN DEERE 4R 7-12 B

#	PART #	Qty	TITLE
1	91-42-0013	1	RUBBER KNIFE (OUTSIDE LEFT)
2	91-04-0246	2	KNIFE BRACE (OUTSIDE)
3	NC02-48-0548	32	FLAT HEAD SOCKET CAP SCREW STAINLESS 1/2-13 X 2"
4	NC01-96-0014	32	NYLON-INSERT LOCKNUT ZINC 1/2-13
5	91-42-0003	1	RUBBER KNIFE (INSIDE RIGHT)
6	91-42-0121	2	SNOW GUARD
7	91-42-0000	1	RUBBER KNIFE (INSIDE LEFT)
8	91-20-0150	18	WASHER
9	NC02-48-0582	4	FLAT HEAD SOCKET CAP SCREW STAINLESS 1/4-20 X 2"
10	NC01-96-0009	4	NYLON-INSERT LOCKNUT ZINC 1/4-20
11	91-04-0241	1	KNIFE BRACE (RIGHT)
12	91-04-0244	1	KNIFE BRACE (LEFT)
13	91-42-0010	1	RUBBER KNIFE (OUTSIDE RIGHT)

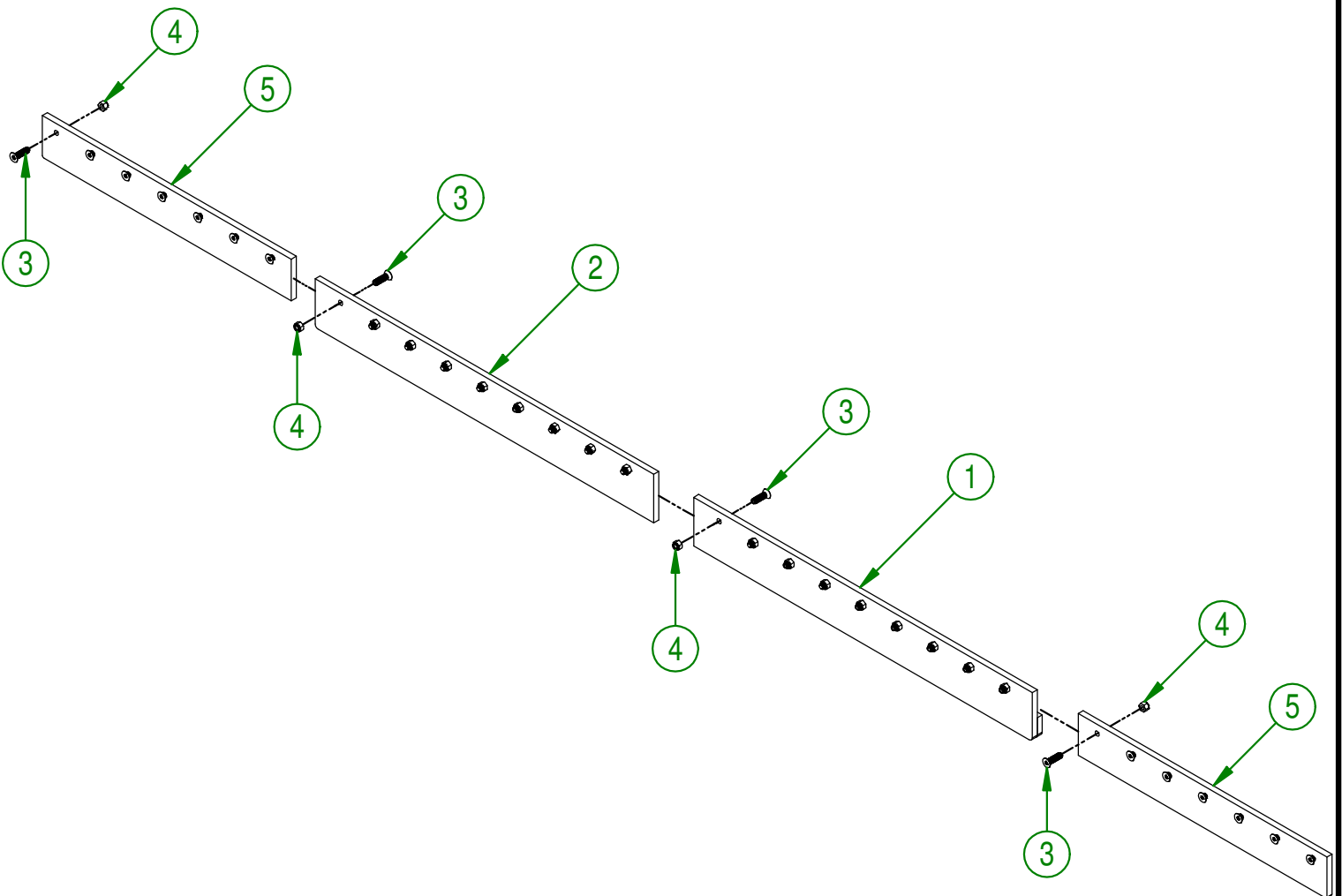


AGRIMETAL
RUBBER KNIFE GROUP

CREATION : 10/05/17
 REVISION : 05/02/21

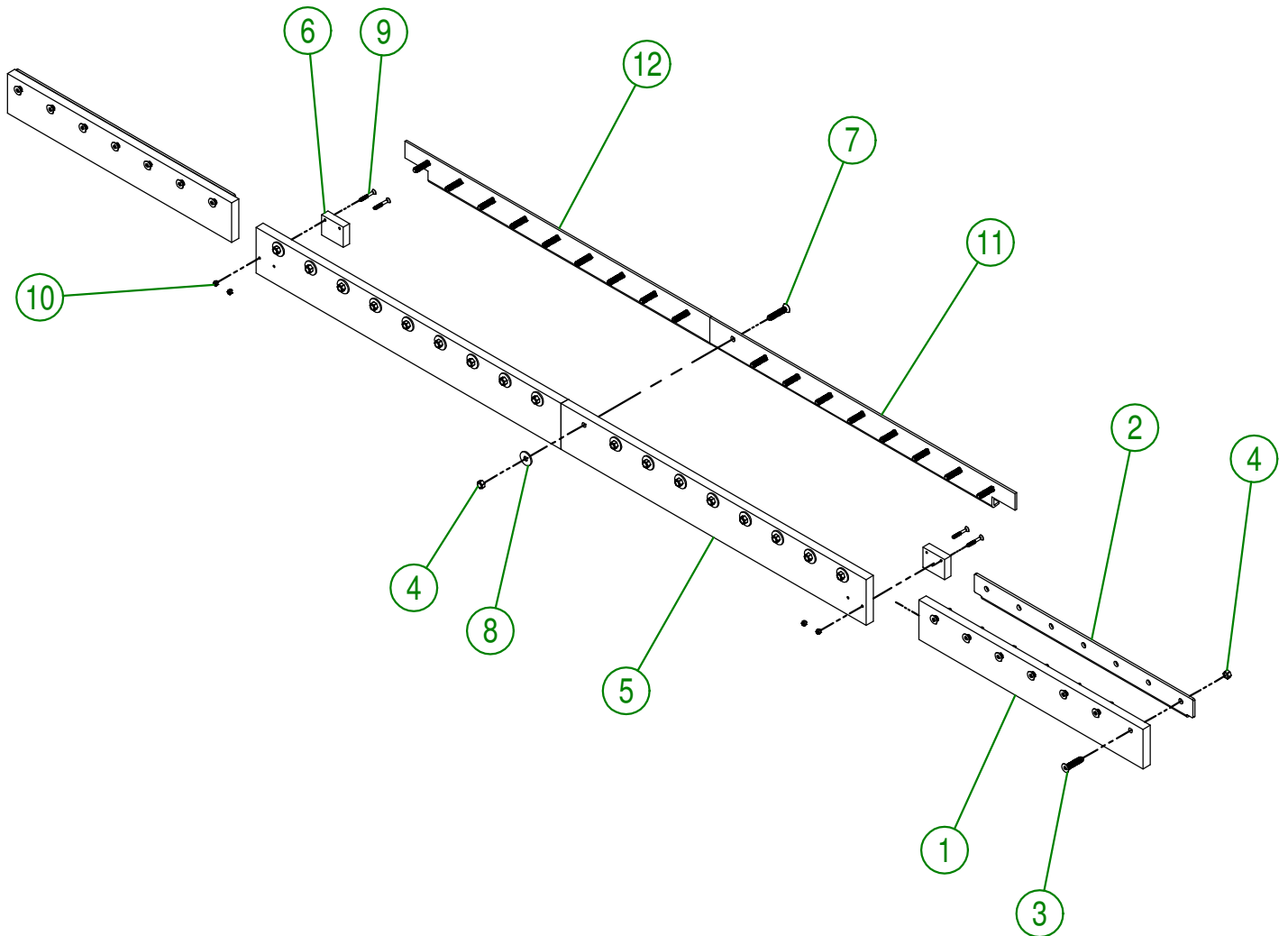
ASSEMBLY : **91-57-0195**
 AUTHOR : J. Houle

#	PART #	Qty	TITLE
1	91-50-0052	1	INSIDE KNIFE RIGHT
2	91-50-0057	1	INSIDE KNIFE LEFT
3	NC02-48-0547	32	FLAT HEAD SOCKET CAP SCREW STAINLESS 1/2-13 X 1 3/4
4	NC01-96-0014	32	NYLON INSERT LOCKNUT 1/2-13"
5	91-20-0388	2	OUTSIDE KNIFE

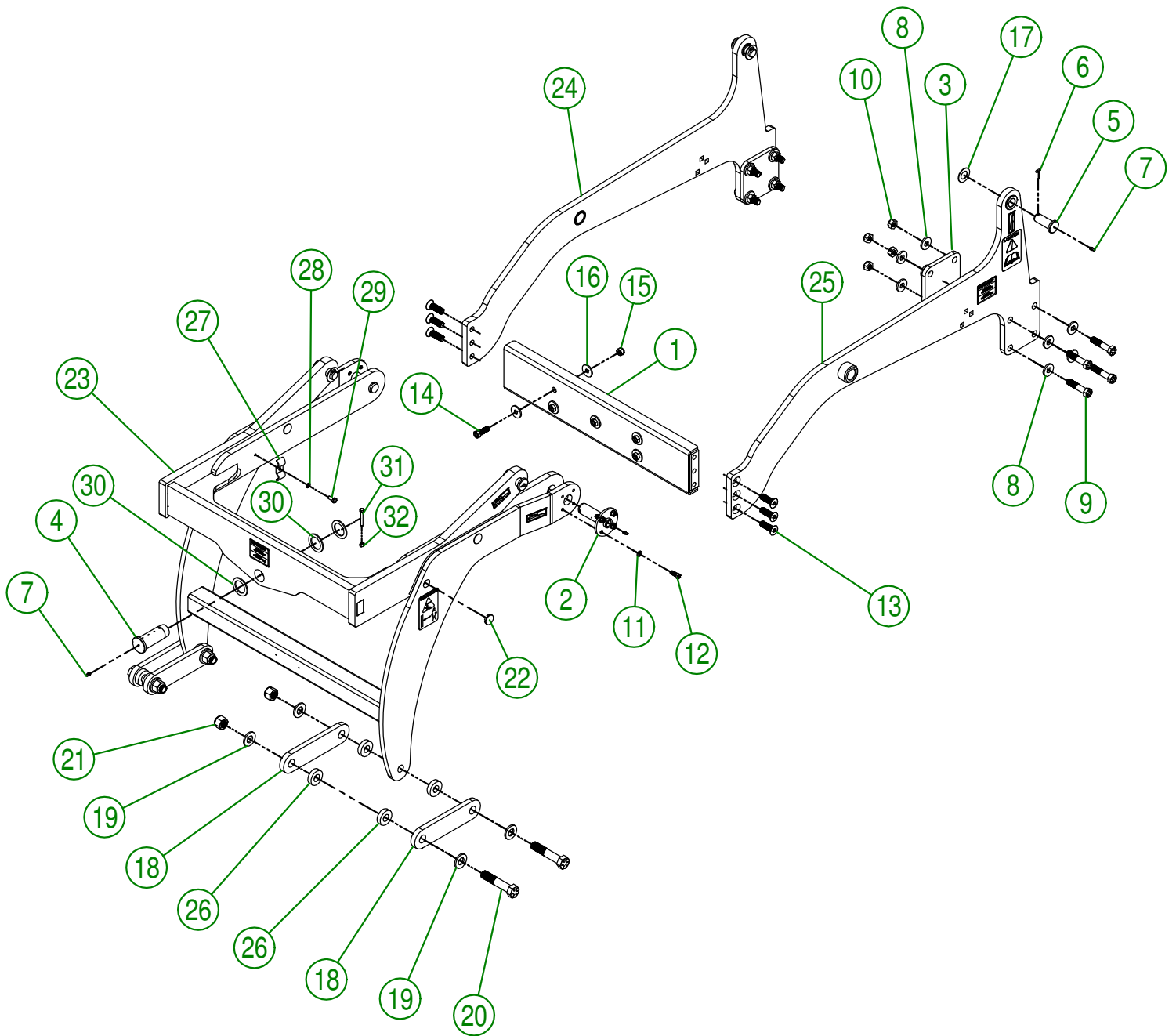


AGRIMETAL			
QT KNIFE GROUP			
CREATION : 04/05/17	ASSEMBLY :	91-57-0201	
REVISION : 29/12/17	AUTHOR : J.H.	Page 2 de 13	

#	PART #	Qty	TITLE
1	91-42-0147	2	OUTSIDE KNIFE (UHMW)
2	91-04-0246	2	KNIFE BRACE (OUTSIDE)
3	NC02-48-0549	14	STAINLESS FLAT HEAD SOCKET CAP SCREW 1/2-13 X 2 1/4"
4	NC01-96-0014	32	NYLON-INSERT LOCKNUT ZINC 1/2-13
5	91-42-0133	2	CENTER KNIFE (UHMW)
6	91-42-0121	2	SNOW GUARD
7	NC02-48-0550	18	FLAT HEAD SOCKET CAP SCREW STAINLESS 1/2-13 X 2 1/2"
8	91-20-0150	18	WASHER
9	NC02-48-0582	4	FLAT HEAD SOCKET CAP SCREW STAINLESS 1/4-20 X 2"
10	NC01-96-0009	4	NYLON-INSERT LOCKNUT ZINC 1/4-20
11	91-04-0241	1	KNIFE BRACE (RIGHT)
12	91-04-0244	1	KNIFE BRACE (LEFT)



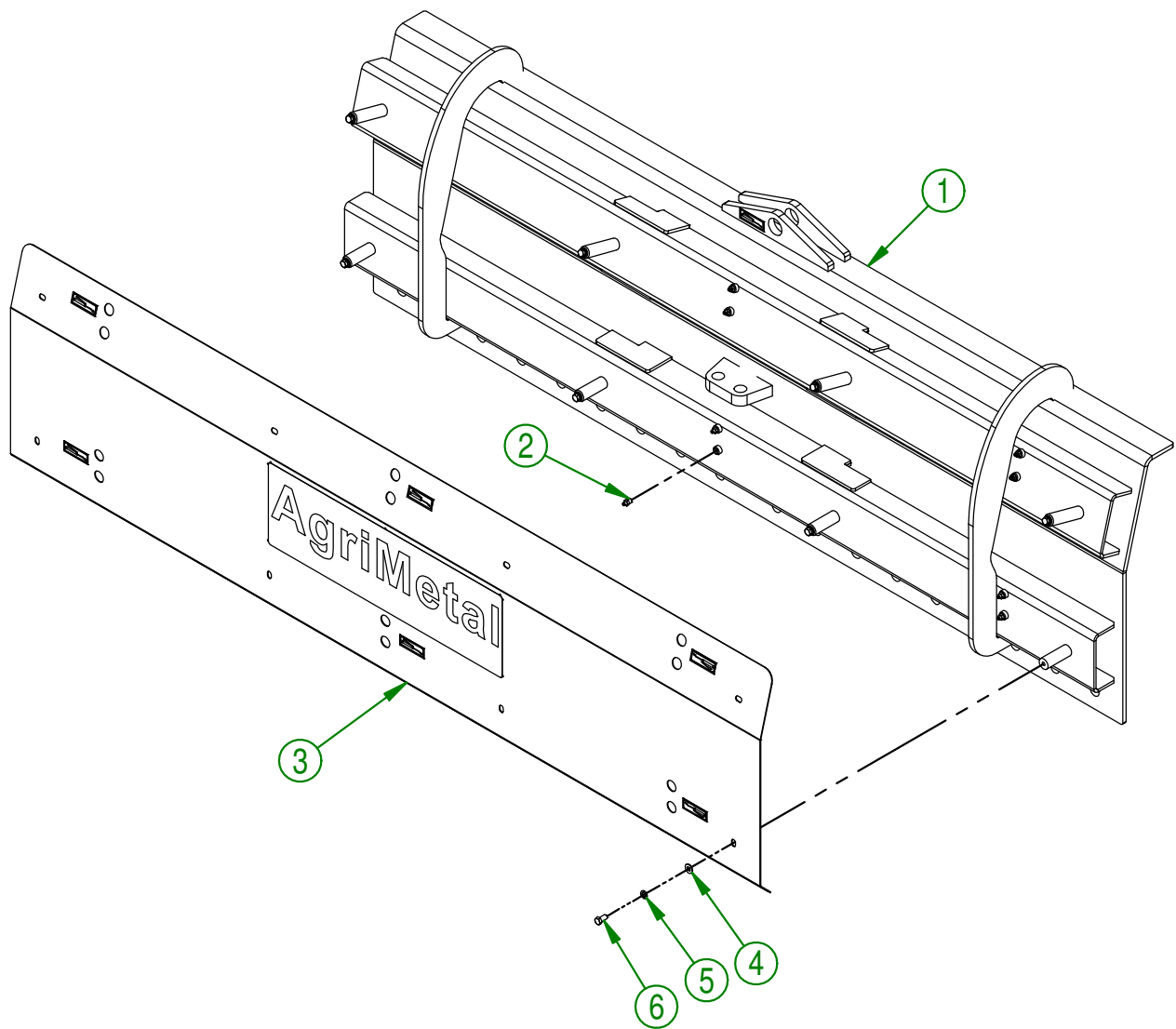
AGRIMETAL	
UHMW KNIFE GROUP	
CREATION : 05-05-2017	ASSEMBLY : 91-57-0206
REVISION : 09-11-2018	AUTHOR : Dessin1 Page 3 de 13



AGRIMETAL	
SUBFRAME 4R GROUP	
CREATION : 15/07/16	ASSEMBLY : 91-57-0060
REVISION : 14/02/19	AUTHOR : JA. H Page 4 de 13

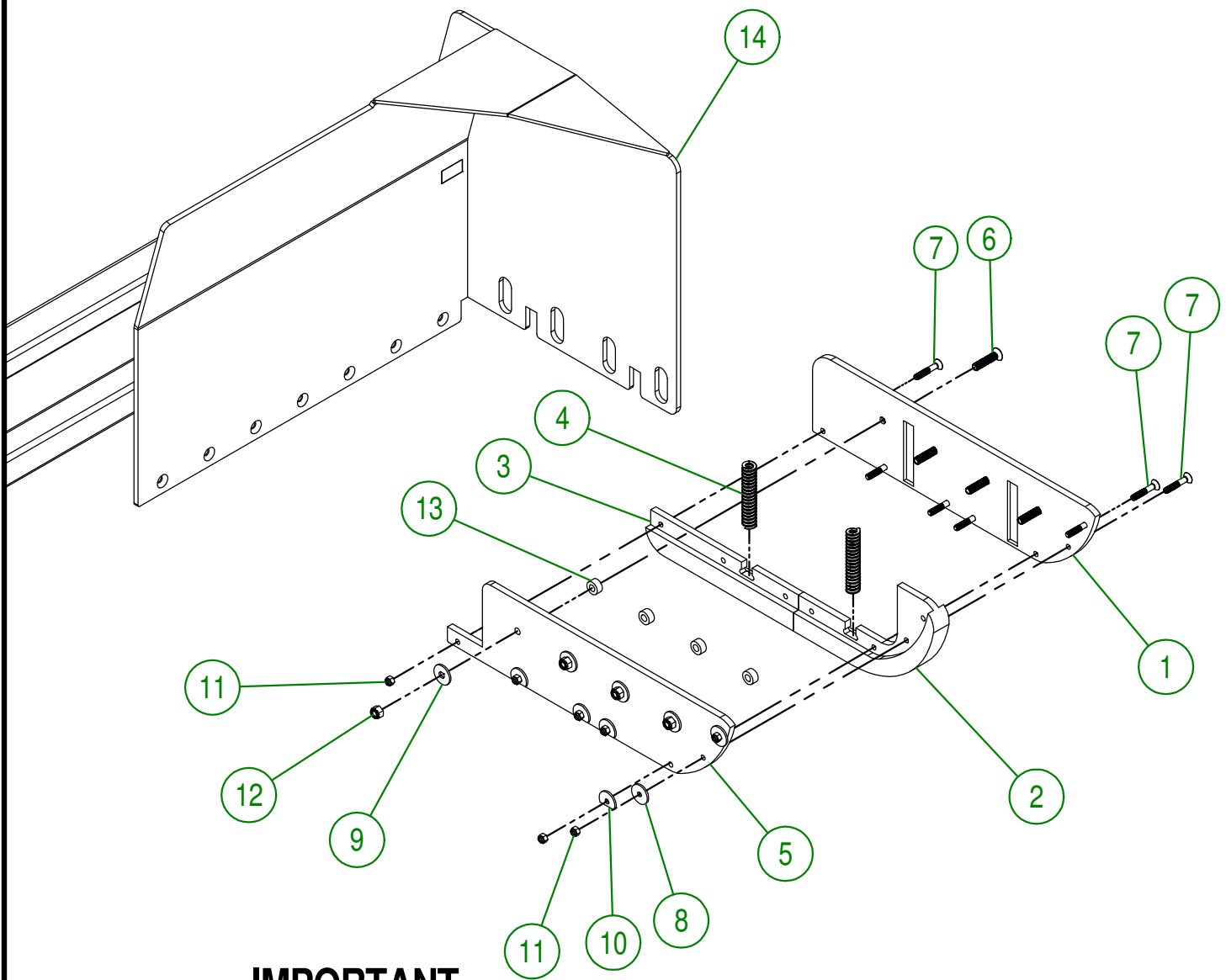
#	PART #	Qty	TITLE
1	91-50-0035	1	FRONT PLATE
2	91-50-0030	2	SUBFRAME PIVOT
3	91-04-1030	2	SPACER
4	91-13-2800	1	CENTER PIVOT SHAFT
5	91-20-0210	4	CYLINDER PIVOT
6	NC01-69-0159	4	COTTER PIN ZINC 3/16 X 1 1/2"
7	NC01-69-0785	7	STRAIGHT GREASE FITTING 1/4-28
8	91-20-0155	16	FLAT WASHER
9	NC01-33-0400	8	CAP SCREW GR8 NC ZINC 5/8-11 X 3" LG
10	NC01-93-0016	8	LOCK NUT ZINC 5/8-11
11	NC02-32-0012	8	LOCK WASHER ZINC 3/8"
12	NC01-37-0114	8	BOLT GR8 3/8" X 1"
13	NC02-48-0562	6	FLAT HEAD SOCKET CAP SCREW STAINLESS 5/8-11 X 1 1/2"
14	NC01-33-0249	5	CAP SCREW GR8 NC ZINC 1/2-13 X 1 1/2" LG
15	NC01-93-0014	5	LOCK NUT ZINC 1/2-13
16	91-20-0150	10	WASHER
17	91-22-2200	4	FLAT WASHER HYDRAULIC CYLINDER
18	91-04-1420	4	BLADE CONNECTOR
19	09-04-0050	8	PNO 3/16" X 1 49/64" DIA. X \varnothing 7/8" FLAT WASHER
20	NC01-33-0506	4	CAP SCREW GR8 NC ZINC 7/8-9 X 4 1/2" LG
21	NC01-96-0018	4	NYLON INSERT NUT 7/8-9
22	NC13-80-0273	8	BLACK CAP 1" DIA
23	91-57-0145	1	MOBILE SUBFRAME GROUP 4R
24	91-57-0150	1	RIGHT SUBFRAME GROUP
25	91-57-0155	1	LEFT SUBFRAME GROUP
26	NC13-15-0319	8	RUBBER WASHER
27	91-01-0020	1	HYDRAULIC HOSE PROTECTOR
28	NC02-32-0011	1	LOCK WASHER ZINC 5/16"
29	NC01-17-0058	1	HEX. BOLT GR2 ZINC 5/16-18 X 3/4"
30	92-01-0005	3	WASHER 2 1/4" DIA. X 1 9/16"
31	NC01-17-0010	1	HEX. BOLT GR2 NC ZINC 1/4-20 X 2"
32	NC01-93-0001	1	HEX. NUT NC ZINC 1/4-20

#	PART #	Qty	TITLE
1	91-57-0131	1	CENTRAL BLADE MAX PRO 7-12 STICKER INCLUDED GROUP.
2	NC01-69-0791	12	GREASE FITTING 1/8 NPT STRAIGHT
3	91-57-0505	1	HYDRAULIC CYLINDER GUARD
4	01-01-2485	8	FLAT WASHER 14 GA X 13/16"OD X 25/64" ID
5	NC02-32-0012	8	LOCK WASHER ZINC 3/8"
6	NC01-17-0112	8	HEX. BOLT GR2 ZINC 3/8-16 X 3/4"



AGRIMETAL	
SNOW BLADE GROUP	
CREATION : 22/03/18	ASSEMBLY : 91-57-0021
REVISION : 15/10/18	AUTHOR : J.KABWE Page 6 de 13

#	PART #	Qty	TITLE
1	91-42-0144	1	FLOATING SKATE (RIGHT OUTSIDE)
2	91-42-0138	1	FLOATING SKATE (MIDDLE FRONT)
3	91-42-0150	1	FLOATING SKATE (MIDDLE BACK)
4	NC13-86-0052	2	SPRING 1/2" ID X 1" OD X 5" LG
5	91-42-0142	1	FLOATING SKATE (RIGHT INSIDE)
6	NC02-48-0549	4	STAINLESS FLAT HEAD SOCKET CAP SCREW 1/2-13 X 2 1/4"
7	NC02-48-0537	7	STAINLESS FLAT HEAD SOCKET CAP SCREW 3/8-16 X 2 1/4"
8	91-20-0163	2	WASHER
9	91-20-0150	4	WASHER
10	91-20-0160	4	WASHER
11	NC01-96-0011	7	NYLON NUT 3/8-16
12	NC01-96-0014	4	NYLON INSERT LOCKNUT 1/2-13"
13	91-09-0000	4	BUSHING
14	91-57-0141	1	RIGHT BLADE



IMPORTANT

USE THIS PARTS ONLY IF YOUR SERIAL NUMBER IS INVOLVED:

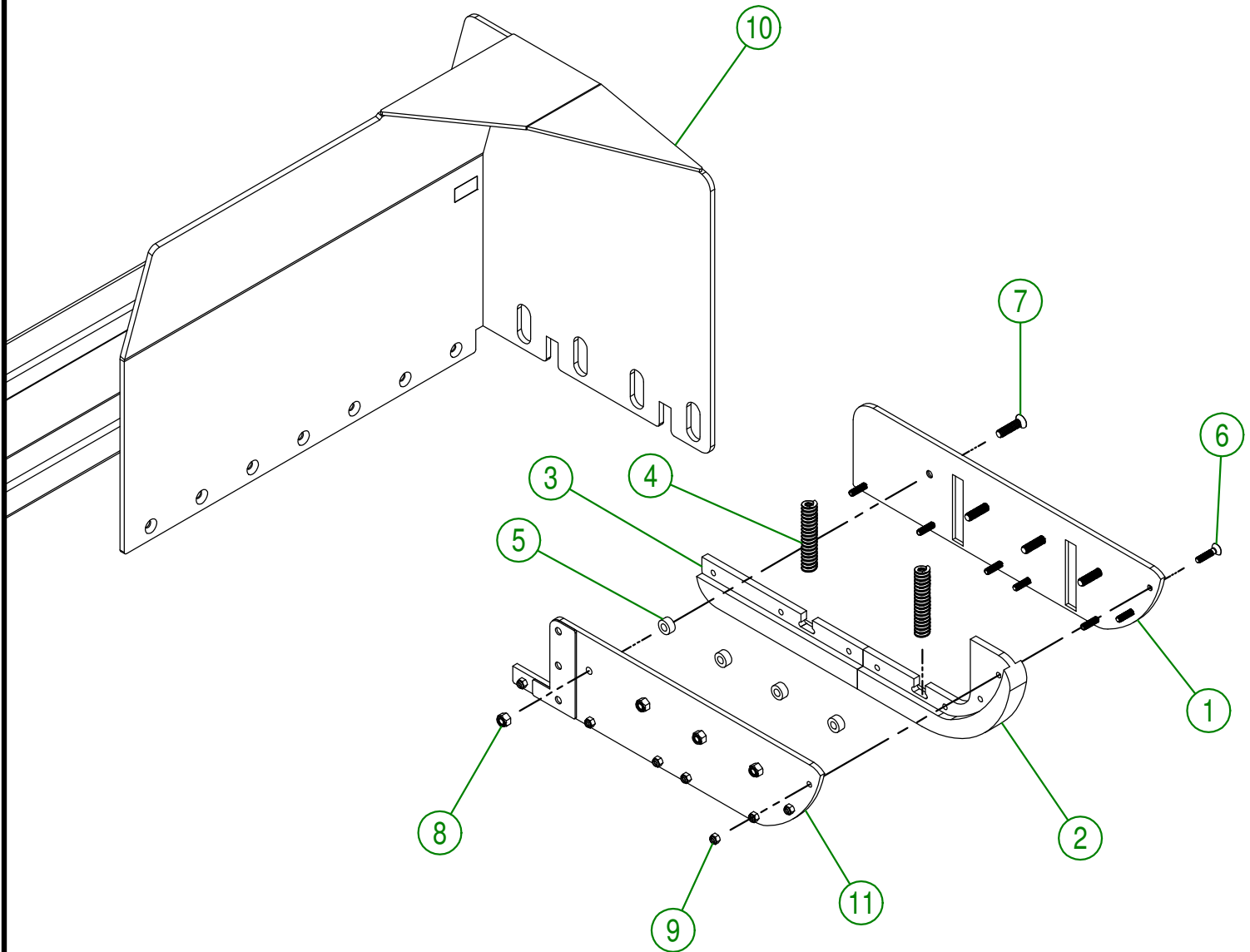
#37424 OR UNDER

AGRIMETAL RIGHT BLADE

CREATION : 03/05/17
REVISION : 25/10/19

ASSEMBLY : 91-57-0046
AUTHOR : J.H. Page 7 de 13

#	PART #	Qty	TITLE
1	91-04-0400	1	FLOATING SKATE (RIGHT OUTSIDE)
2	NC13-15-0325	1	FLOATING SKATE (MIDDLE FRONT)
3	NC13-15-0323	1	FLOATING SKATE (MIDDLE BACK)
4	NC13-86-0052	2	SPRING 1/2" ID X 1" OD X 5" LG
5	91-09-0000	4	BUSHING
6	NC02-48-0537	7	STAINLESS FLAT HEAD SOCKET CAP SREW 3/8-16 X 1 3/4
7	NC02-48-0548	4	FLAT HEAD SOCKET CAP SCREW STAINLESS 1/2-13 X 2"
8	NC01-96-0014	4	NYLON INSERT LOCKNUT 1/2-13"
9	NC01-96-0011	7	NYLON NUT 3/8-16
10	91-57-0141	1	RIGHT BLADE
11	91-50-0355	1	FLOATING SKATE (RIGHT INSIDE)



IMPORTANT

USE THIS PARTS ONLY IF YOUR SERIAL NUMBER IS INVOLVED:

#37430 OR ABOVE

AGRIMETAL
RIGHT BLADE

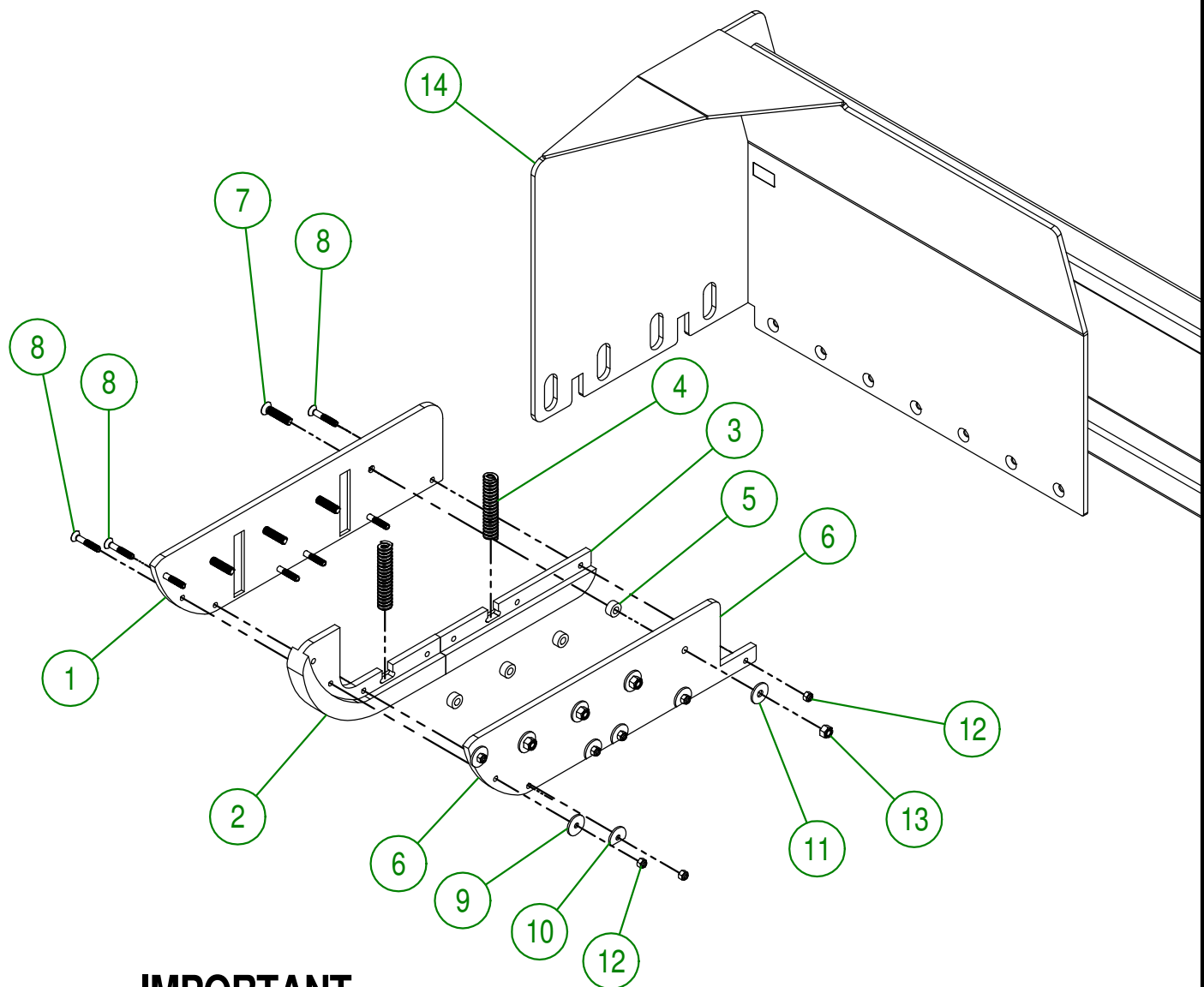
CREATION : 05/11/18
REVISION : 10/01/19

ASSEMBLY : **91-57-0047**

AUTHOR : J. Houle

Page 8 de 13

#	PART #	Qty	TITLE
1	91-42-0140	1	FLOATING SKATE (LEFT EXT.)
2	NC13-15-0325	1	FLOATING SKATE (MIDDLE FRONT)
3	NC13-15-0323	1	FLOATING SKATE (MIDDLE BACK)
4	NC13-86-0052	2	SPRING 1/2" ID X 1" OD X 5" LG
5	91-09-0000	4	BUSHING
6	91-42-0136	1	FLOATING SKATE (LEFT INT.)
7	NC02-48-0549	4	STAINLESS FLAT HEAD SOCKET CAP SCREW 1/2-13 X 2 1/4"
8	NC02-48-0537	7	STAINLESS FLAT HEAD SOCKET CAP SCREW 3/8-16 X 2 1/4"
9	91-20-0163	2	WASHER
10	91-20-0160	4	WASHER
11	91-20-0150	4	WASHER
12	NC01-96-0011	7	NYLON NUT 3/8-16
13	NC01-96-0014	4	NYLON INSERT LOCKNUT 1/2-13"
14	91-57-0136	1	LEFT BLADE



IMPORTANT

USE THIS PARTS ONLY IF YOUR SERIAL NUMBER IS INVOLVED:

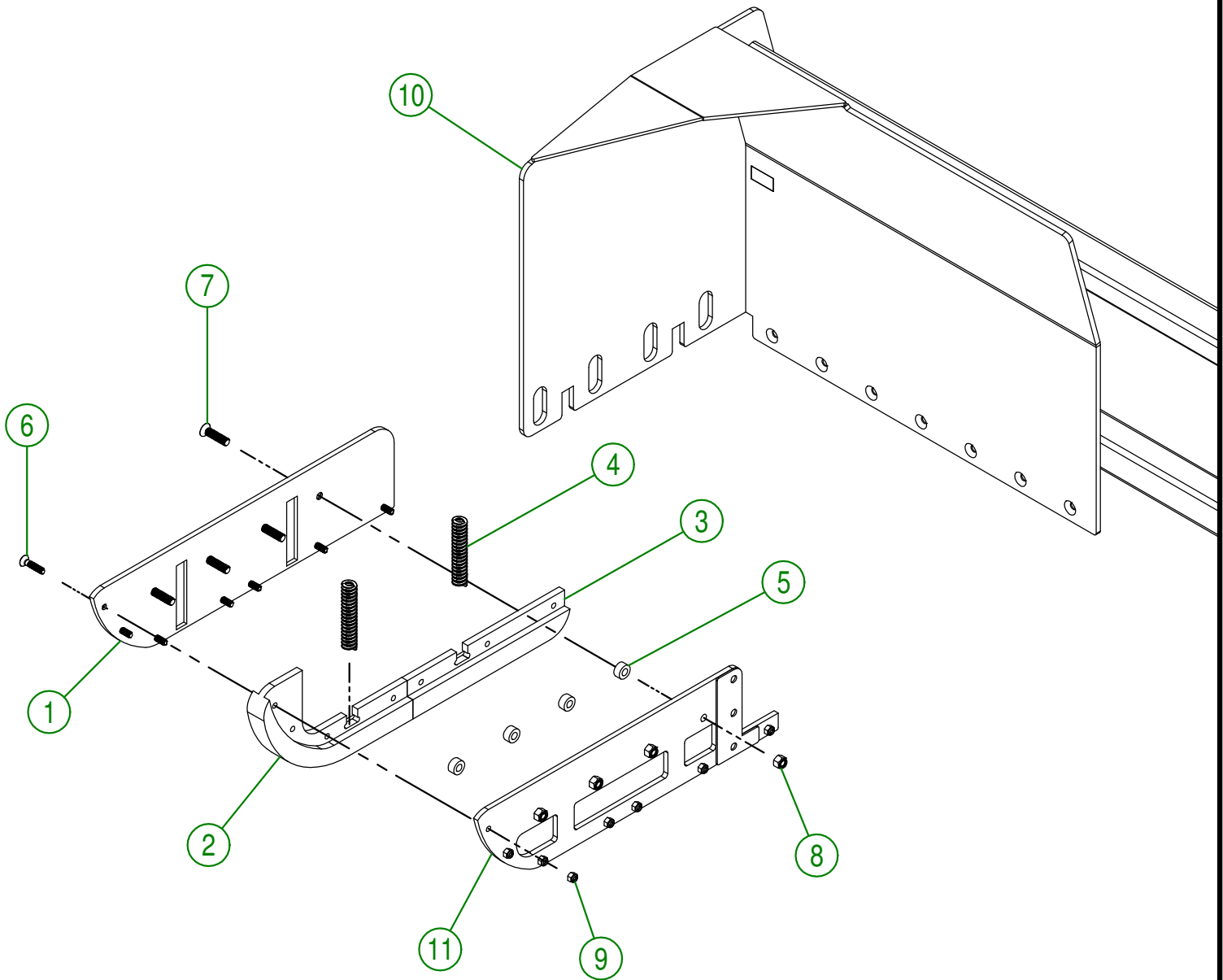
#37424 OR UNDER

**AGRIMETAL
LEFT BLADE**

CREATION : 03/05/17
REVISION : 10/01/19

ASSEMBLY : 91-57-0051
AUTHOR : J.H. Page 9 de 13

#	PART #	Qty	TITLE
1	91-42-0403	1	FLOATING SKATE (LEFT EXT.)
2	91-42-0138	1	FLOATING SKATE (MIDDLE FRONT)
3	91-42-0150	1	FLOATING SKATE (MIDDLE BACK)
4	NC13-86-0052	2	SPRING 1/2" ID X 1" OD X 5" LG
5	91-09-0000	4	BUSHING
6	NC02-48-0535	7	STAINLESS FLAT HEAD SOCKET CAP SREW 3/8-16 X 1 3/4
7	NC02-48-0548	4	FLAT HEAD SOCKET CAP SCREW STAINLESS 1/2-13 X 2"
8	NC01-96-0014	4	NYLON INSERT LOCKNUT 1/2-13"
9	NC01-96-0011	7	NYLON NUT 3/8-16
10	91-57-0136	1	LEFT BLADE
11	91-50-0360	1	FLOATING SKATE (LEFT INSIDE)



IMPORTANT

USE THIS PARTS ONLY IF YOUR SERIAL NUMBER IS INVOLVED:

#37430 OR ABOVE

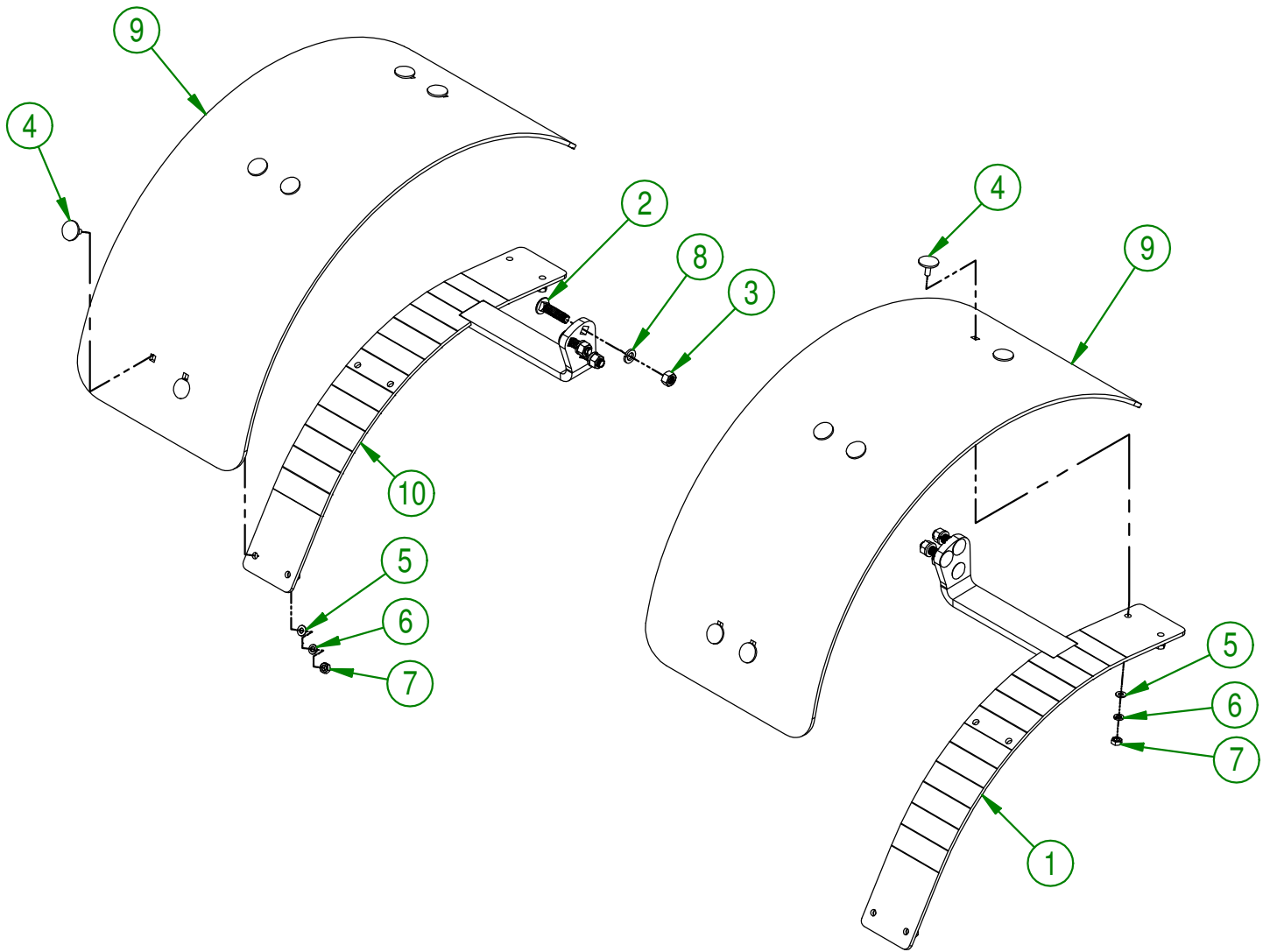
AGRIMETAL
LEFT BLADE

CREATION : 05/11/18
REVISION : 25/10/19

ASSEMBLY : **91-57-0052**

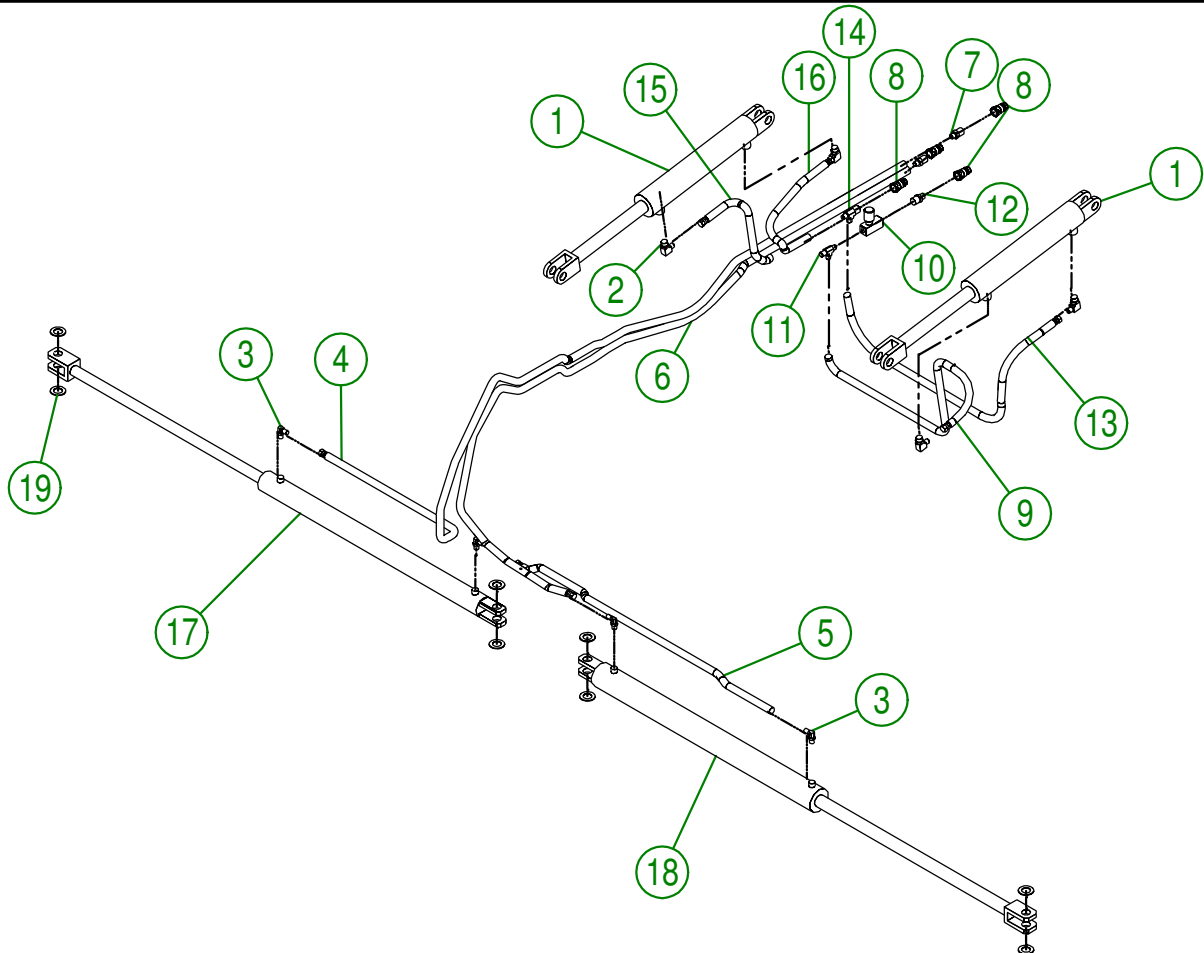
AUTHOR : J. Houle Page 10 de 13

#	PART #	Qty	TITLE
1	91-50-0065	1	LEFT MUD GUARD BRACKET
2	NC01-54-0200	6	CARR. BOLT STAINLESS 1/2-13 X 2"
3	NC02-14-0100	6	HEX NUT STAINLESS 1/2-13
4	NC01-13-0062	12	ELEVATOR STAINLESS BOLT 5/16-18 X 1"
5	NC02-22-0008	12	WASHER ZINC 5/16"
6	NC02-32-0011	12	LOCK WASHER ZINC 5/16"
7	NC02-07-0017	12	HEX. NUT 5/16-18
8	NC02-32-0100	6	LOCK WASHER STAINLESS 1/2"
9	91-42-0155	2	GUARD
10	91-50-0060	1	RIGHT MUDE GUARD BRACKET



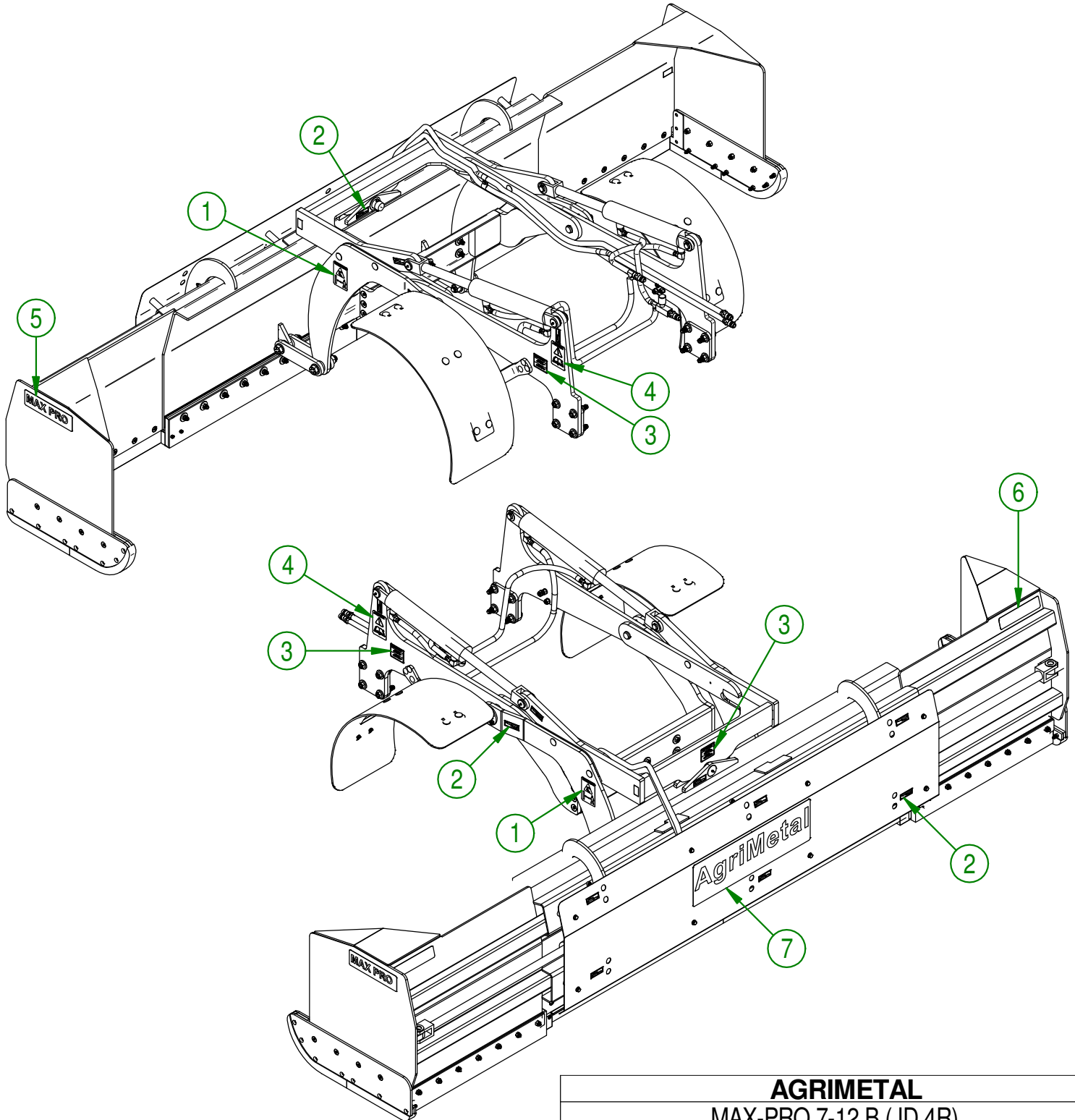
AGRIMETAL		
MUD GUARD GROUP		
CREATION : 09/08/16	ASSEMBLY :	91-57-0210
REVISION : 11/09/19	AUTHOR : J.H.	Page 11 de 13

#	PART #	Qty	TITLE
1	NCI3-45-0257	2	HYDRAULIC CYLINDER 2 1/2" X 12" STROKE
2	NCI3-45-0242	4	90 DEG ELBOW
3	NCI3-45-0254	4	90 DEG ELBOW 9/16"-18 MALE SAE6 O RING X 3/8" MALE JIC
4	NCI7-02-0371	1	HYDRAULIC HOSE 88"
5	NCI7-02-0353	1	HYDRAULIC HOSE 39 3/4"
6	NCI7-02-0371	1	HYDRAULIC HOSE 88"
7	NCI3-45-0247	2	STRAIGHT FITTING 1/2" MALE NPT X 3/8" MALE JIC
8	NCI3-45-0014	4	QUICK COUPLER 1/2-14 NPTF
9	NCI7-02-0362	1	HYDRAULIC HOSE 48"
10	NCI3-45-0241	1	FLOW CONTROLE 3/8" NPT FEMALE
11	NCI3-45-0244	1	TEE FITTING 3/8" MALE JIC X 3/8" MALE JIC X 3/8" MAL JIC
12	NCI3-45-0246	1	HEX 1/2" MALE NPT X 3/8" MALE NPT
13	NCI7-02-0370	1	HYDRAULIC HOSE 50"
14	NCI3-45-0287	1	T 1/2 MALE NPT X 38 MALE JIC X 3/8 MALE JIC
15	NCI7-02-0361	1	HYDRAULIC HOSE 24"
16	NCI7-02-0350	1	HYDRAULIC HOSE 26"
17	NCI3-45-0240	1	HYDRAULIC CYLINDER 2" X 30" STROKE
18	NCI3-45-0239	1	HYDRAULIC CYLINDER 2 1/2" X 30" STROKE
19	91-22-2200	8	FLAT WASHER HYDRAULIC CYLINDER



AGRIMETAL	
HYDRAULIC GROUP	
CREATION : 19/07/16	ASSEMBLY : 91-57-0070
REVISION : 14/02/19	AUTHOR : JA. H Page 12 de 13

#	PART #	Qty	TITLE
1	NCI3-33-0268	2	STICKER WARNING
2	NCI3-33-0024	14	STICKER GREASE HERE
3	NCI3-33-0319	3	STICKER IMPORTANT GREASE EVERY 5 HOURS
4	NCI3-33-0183	2	STICKER CAUTION OPERATION MANUAL
5	NCI3-33-0265	2	STICKER MAX PRO
6	28-60-0050	2	STICKER SCOTCHLITE
7	NCI3-33-0318	1	STICKER AGRIMETAL INC (XL)



AGRIMETAL	
MAX-PRO 7-12 B (JD 4R)	
CREATION : 29/12/17	ASSEMBLY : 91-99-0501
REVISION : 14/02/19	AUTHOR : J.KABWE Page 13 de 13