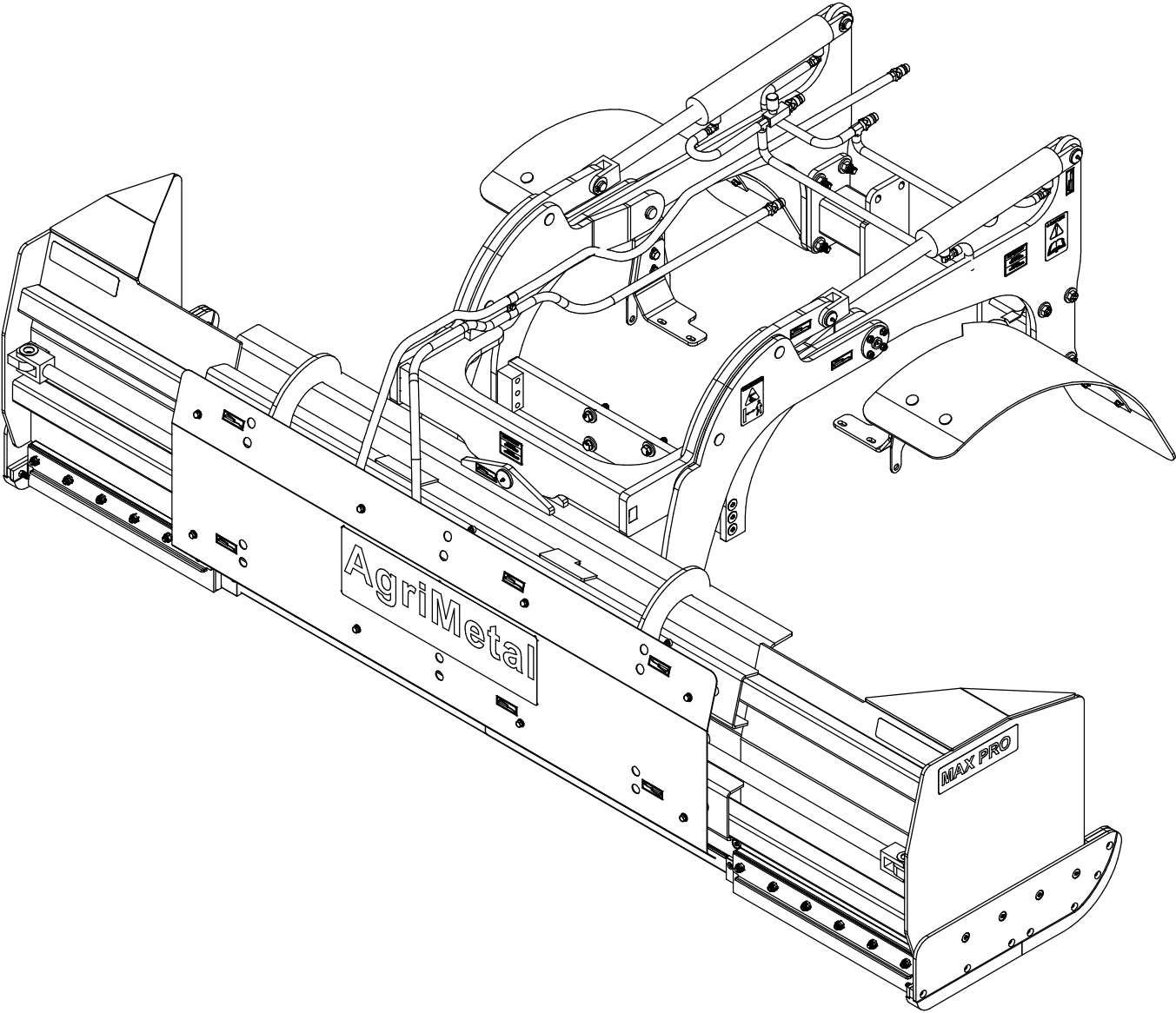


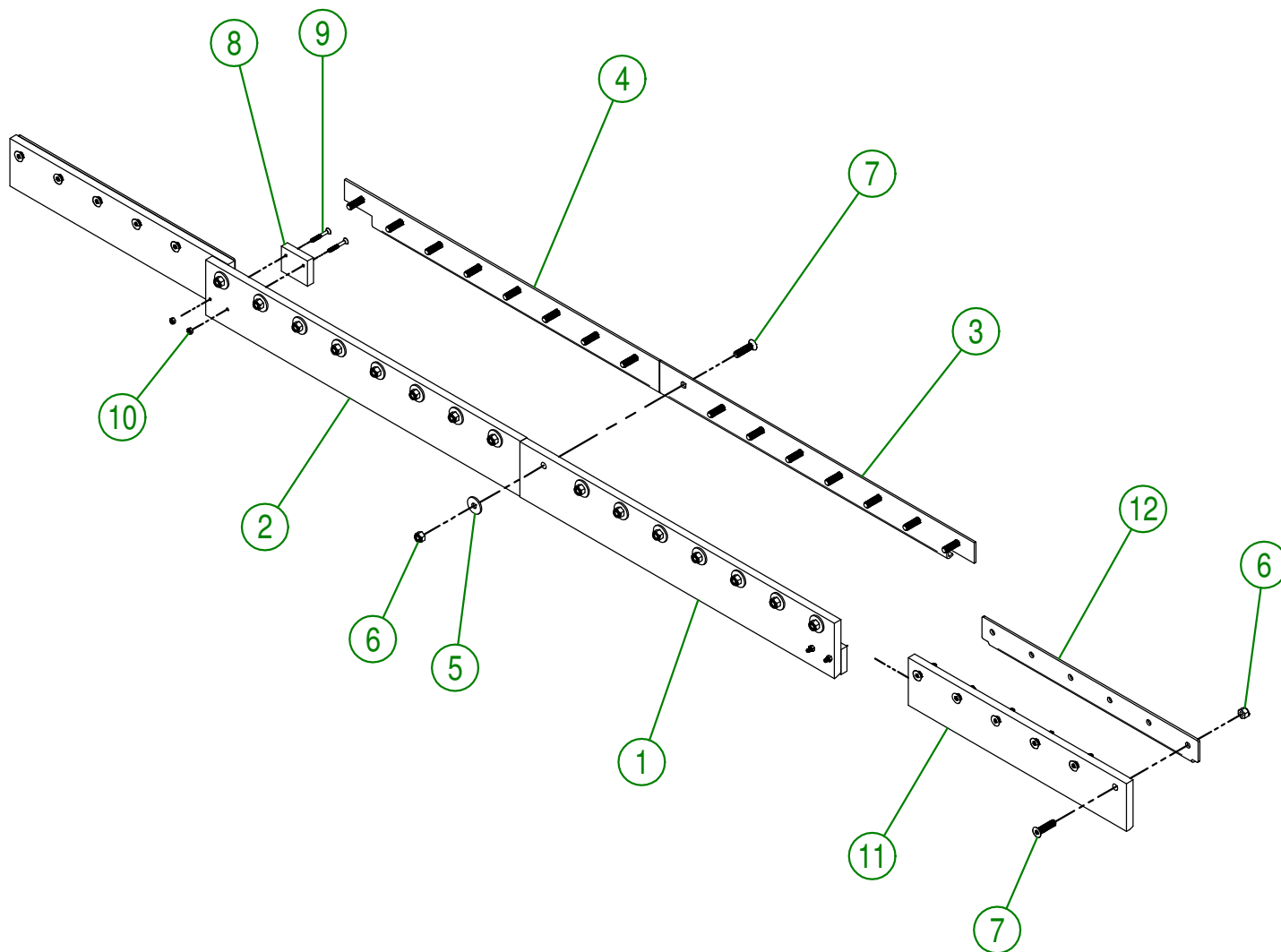


PARTS LIST



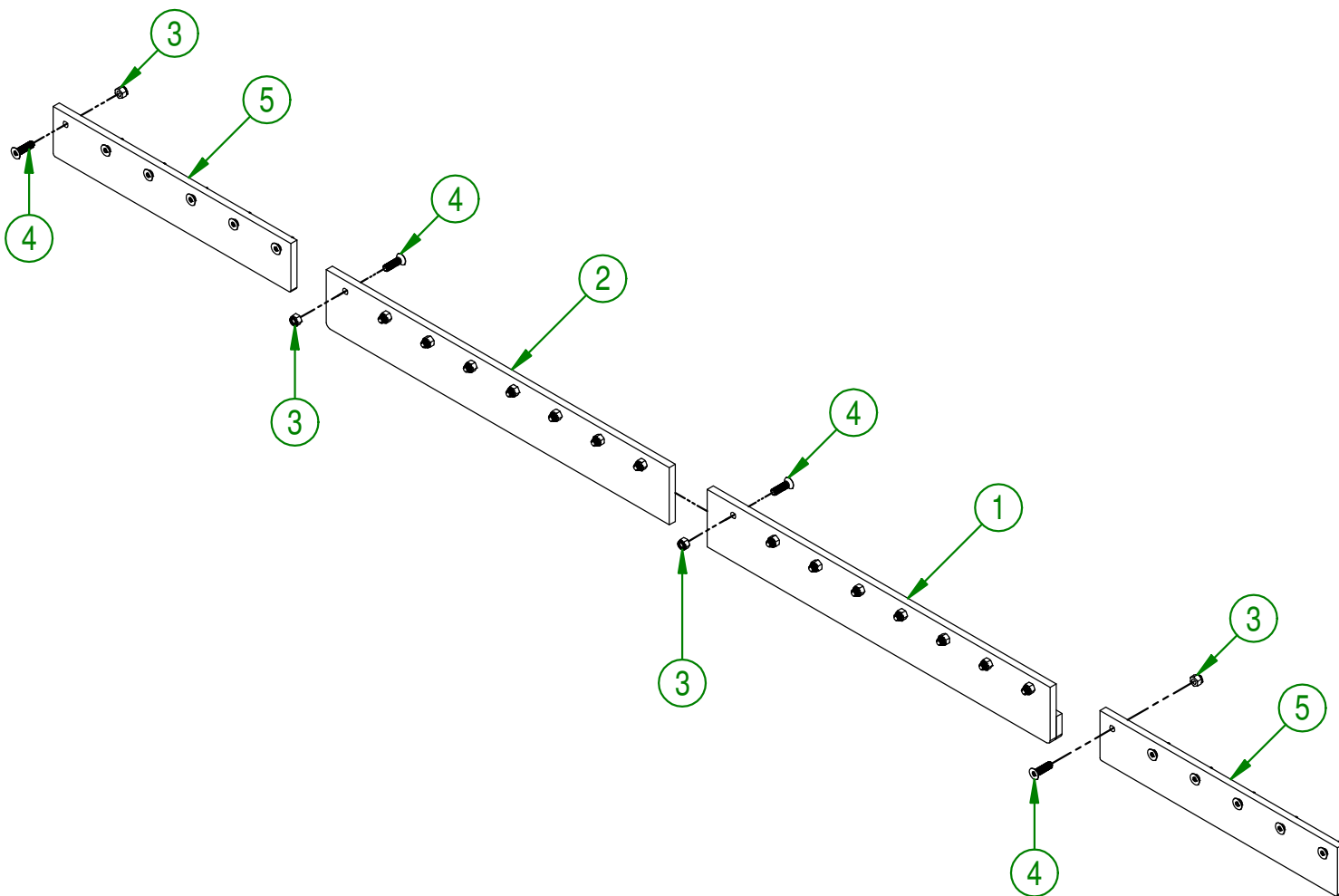
MAX PRO KUBOTA L6060 6-10 B

#	PART #	Qty	TITLE
1	92-42-0003	1	INSIDE RUBBER KNIFE (RIGHT)
2	92-42-0000	1	INSIDE RUBBER KNIFE (LEFT)
3	92-04-0021	1	KNIFE BRACE (RIGHT)
4	92-04-0024	1	KNIFE BRACE (LEFT)
5	91-20-0150	16	WASHER
6	NC01-96-0014	28	NYLON INSERT LOCKNUT 1/2-13"
7	NC02-48-0548	28	FLAT HEAD SOCKET CAP SCREW STAINLESS 1/2-13 X 2"
8	92-42-0121	2	SNOW GUARD
9	NC02-48-0582	4	FLAT HEAD SOCKET CAP SCREW STAINLESS 1/4-20 X 2"
10	NC01-96-0009	4	NYLON-INSERT LOCKNUT ZINC 1/4-20
11	92-42-0005	2	OUTSIDE RUBBER KNIFE
12	92-04-0016	2	KNIFE BRACE (OUTSIDE)



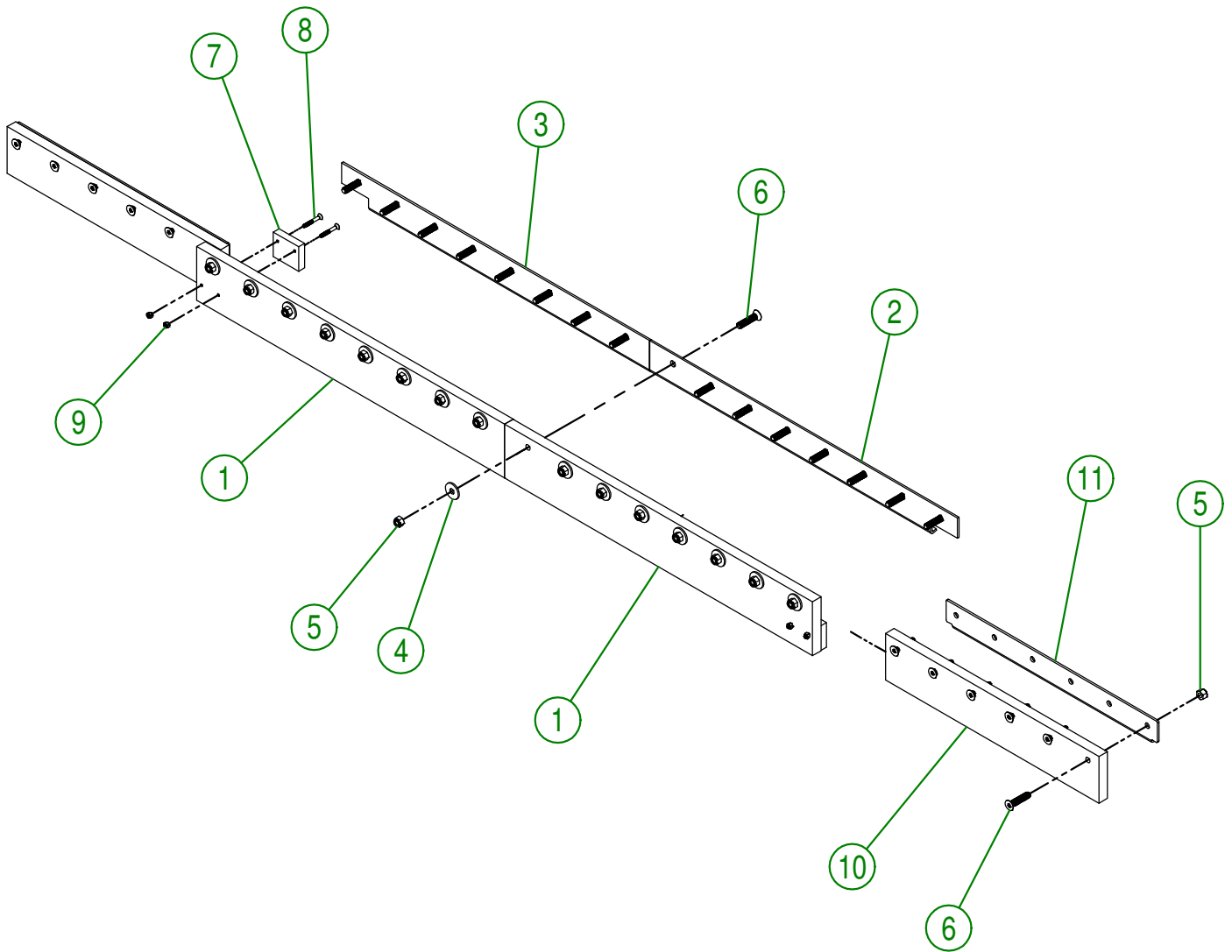
AGRIMETAL	
RUBBER KNIFE GROUP	
CREATION : 09/05/17	ASSEMBLY : 92-57-0195
REVISION : 29/12/17	AUTHOR : J. Houle Page 1 de 13

#	PART #	Qty	TITLE
1	92-50-0052	1	RIGHT CENTER KNIFE
2	92-50-0057	1	LEFT CENTER KNIFE
3	NC01-96-0014	28	NYLON INSERT LOCKNUT 1/2-13"
4	NC02-48-0547	28	FLAT HEAD SOCKET CAP SCREW STAINLESS 1/2-13 X 1 3/4
5	92-20-0379	2	KNIFE SIDE QT 400

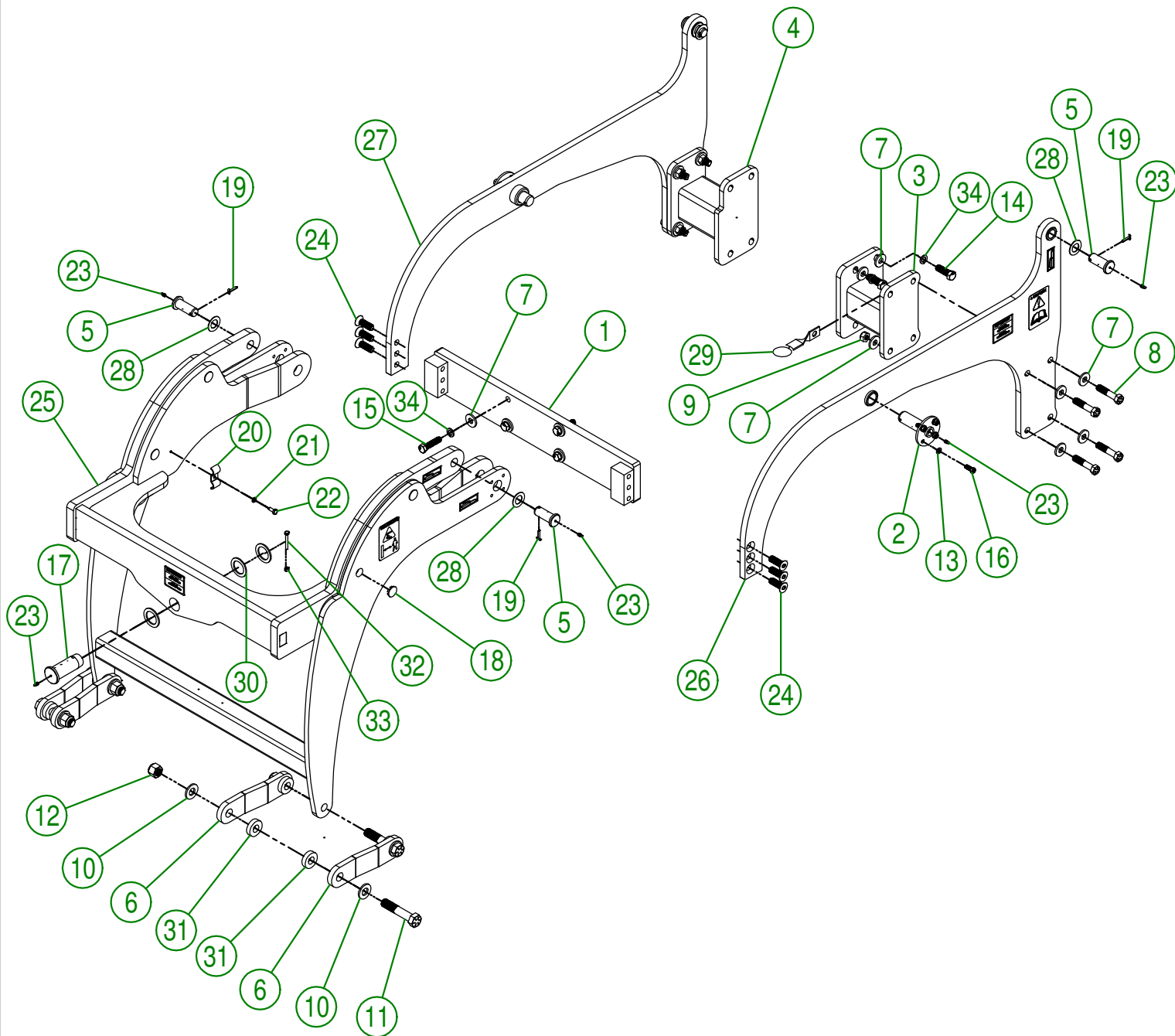


AGRIMETAL			
QT KNIFE GROUP			
CREATION : 09/05/17	ASSEMBLY :	92-57-0201	
REVISION : 29/12/17	AUTHOR : J.H.	Page 2 de 13	

#	PART #	Qty	TITLE
1	92-42-0133	2	INSIDE KNIFE (UHMW)
2	92-04-0021	1	KNIFE BRACE (RIGHT)
3	92-04-0024	1	KNIFE BRACE (LEFT)
4	91-20-0150	16	WASHER
5	NC01-96-0014	28	NYLON INSERT LOCKNUT 1/2-13"
6	NC02-48-0549	28	STAINLESS FLAT HEAD SOCKET CAP SCREW 1/2-13 X 2 1/4"
7	92-42-0121	2	SNOW GUARD
8	NC02-48-0582	4	FLAT HEAD SOCKET CAP SCREW STAINLESS 1/4-20 X 2"
9	NC01-96-0009	4	NYLON-INSERT LOCKNUT ZINC 1/4-20
10	92-42-0149	2	OUTSIDE KNIFE (UHMW)
11	92-04-0016	2	KNIFE BRACE (OUTSIDE)



AGRIMETAL			
UHMW KNIFE GROUP			
CREATION : 09/05/17	ASSEMBLY :	92-57-0206	
REVISION : 09/11/18	AUTHOR : J.H.	Page 3 de 13	



AGRIMETAL	
L6060 SUBFRAME GROUP	
CREATION : 10/08/16	ASSEMBLY : 92-57-0250
REVISION : 14/02/19	AUTHOR : JA. H

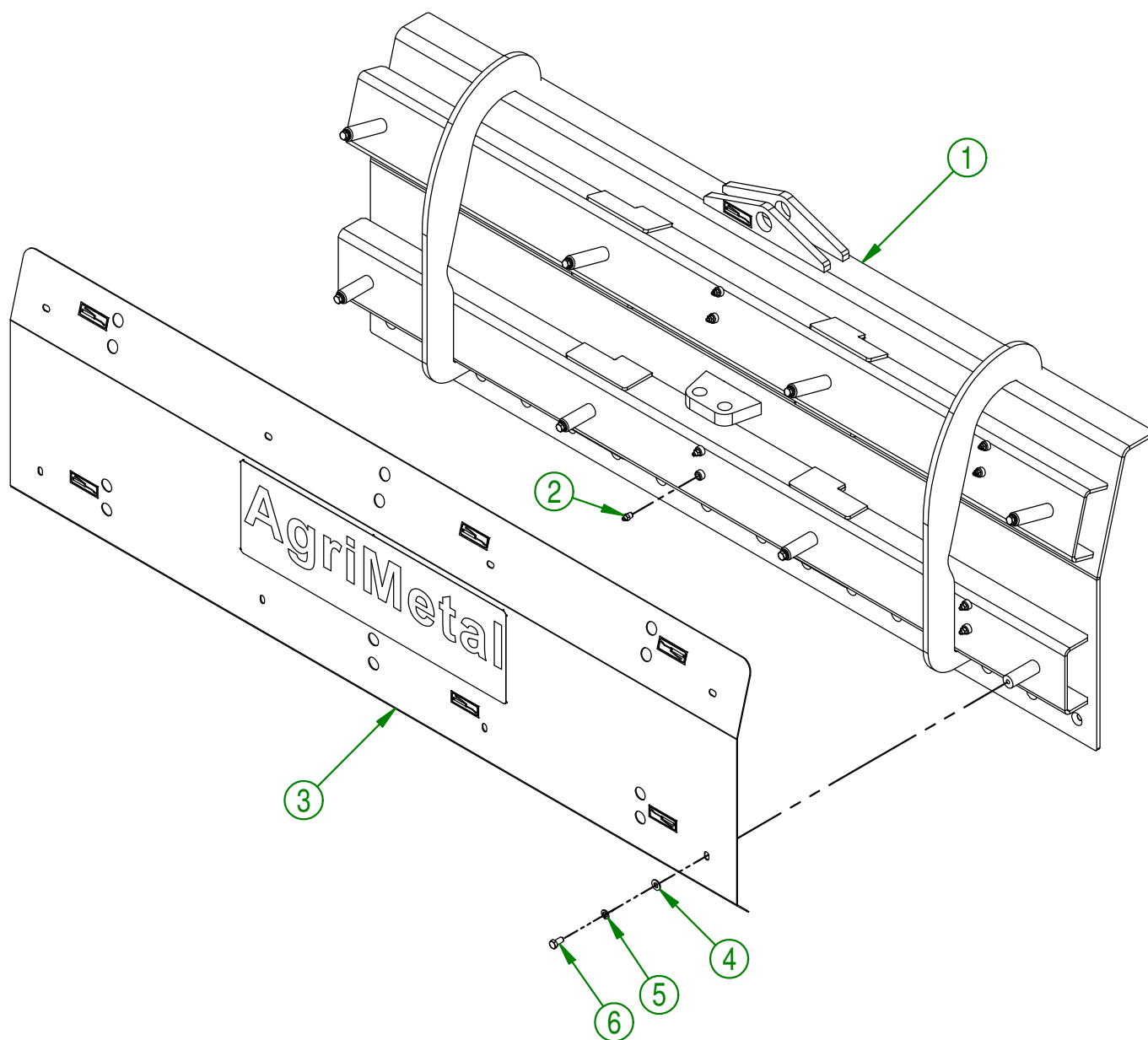
#	PART #	Qty	TITLE
1	92-50-0070	1	FRONT PLATE
2	91-50-0030	2	SUBFRAME PIVOT
3	92-50-0090	1	LEFT FRAME SPACER
4	92-50-0095	1	RIGHT FRAME SPACER
5	91-20-0210	4	CYLINDER PIVOT
6	92-04-1455	4	CONNECTOR
7	91-20-0155	22	FLAT WASHER
8	NC01-33-0400	8	CAP SCREW GR8 NC ZINC 5/8-11 X 3" LG
9	NC01-93-0016	8	LOCK NUT ZINC 5/8-11
10	09-04-0050	8	PNO 3/16" X 1 49/64" DIA. X Ø 7/8" FLAT WASHER
11	NC01-33-0506	4	CAP SCREW GR8 NC ZINC 7/8-9 X 4 1/2" LG
12	NC01-96-0018	4	NYLON INSERT NUT 7/8-9
13	NC02-32-0012	8	LOCK WASHER ZINC 3/8"
14	NC01-50-0107	2	BOLT GR10.9 NF 16MM X 1.5 THREAD X 50MM LG
15	NC01-50-0089	4	BOLT GR10.9 NF 14MM X 1.5 THREAD X 60MM LG
16	NC01-37-0114	8	BOLT GR8 3/8" X 1"
17	91-13-2800	1	CENTER PIVOT SHAFT
18	NC13-80-0273	8	BLACK CAP 1" DIA
19	NC01-69-0159	4	COTTER PIN ZINC 3/16 X 1 1/2"
20	91-01-0020	1	HYDRAULIC HOSE PROTECTOR
21	NC02-32-0011	1	LOCK WASHER ZINC 5/16"
22	NC01-17-0058	1	HEX. BOLT GR2 ZINC 5/16-18 X 3/4"
23	NC01-69-0785	7	STRAIGHT GREASE FITTING 1/4-28
24	NC02-48-0564	6	FLAT HEAD SOCKET CAP SCREW STAINLESS 5/8-11 X 2" LG
25	92-57-0275	1	MOVING SUBFRAME L6060 GROUP
26	92-57-0280	1	LEFT SIDE SUBFRAME GROUP
27	92-57-0285	1	RIGHT SIDE SUBFRAME GROUP
28	91-22-2200	4	FLAT WASHER HYDRAULIC CYLINDER
29	92-50-0100	1	HYDRAULIC HOSE BRACKET
30	92-01-0005	3	WASHER 2 1/4" DIA. X 1 9/16"
31	NC13-15-0319	8	RUBBER WASHER
32	NC01-17-0010	1	HEX. BOLT GR2 NC ZINC 1/4-20 X 2"
33	NC01-93-0001	1	HEX. NUT NC ZINC 1/4-20
34	NC02-32-0016	6	LOCK WASHER ZINC 5/8"

AGRIMETAL**L6060 SUBFRAME GROUP**

CREATION : 10/08/16
REVISION : 14/02/19

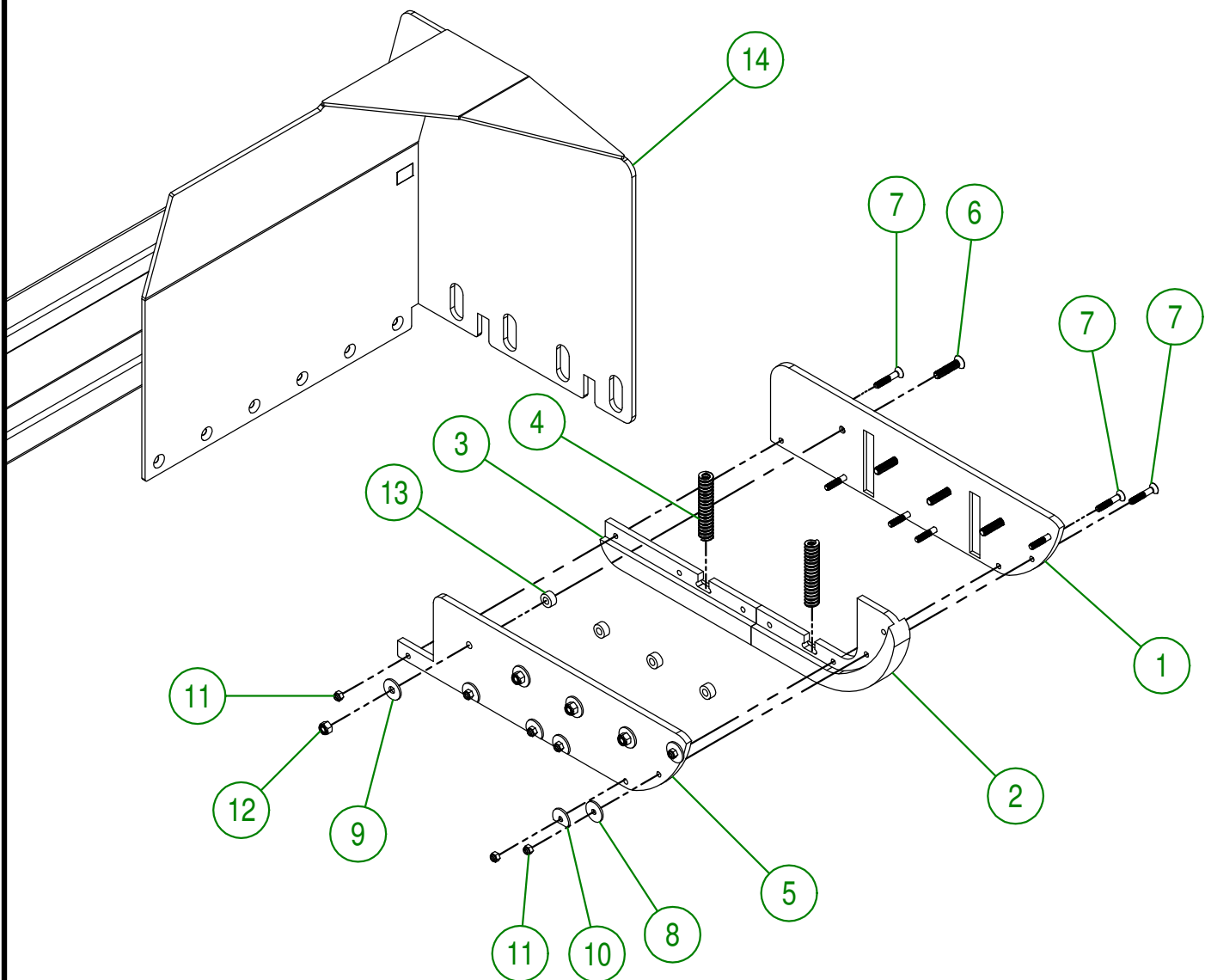
ASSEMBLY : 92-57-0250
AUTHOR : JA. H

#	PART #	Qty	TITLE
1	92-57-0261	1	CENTRAL BLADE MAX PRO 6-10 INCLUDED STICKER GROUP.
2	NC01-69-0791	12	GREASE FITTING 1/8 NPT STRAIGHT
3	92-57-0500	1	HYDRAULIC CYLINDER GUARD
4	01-01-2485	8	FLAT WASHER 14 GA X 13/16"OD X 25/64" ID
5	NC02-32-0012	8	LOCK WASHER ZINC 3/8"
6	NC01-17-0112	8	HEX. BOLT GR2 ZINC 3/8-16 X 3/4"



AGRIMETAL	
BLADE 6-10 GROUP	
CREATION : 22/03/18	ASSEMBLY : 92-57-0021
REVISION : 15/10/18	AUTHOR : J.KABWE Page 6 de 13

#	PART #	Qty	TITLE
1	91-42-0144	1	FLOATING SKATE (RIGHT OUTSIDE)
2	NC13-15-0325	1	FLOATING SKATE (MIDDLE FRONT)
3	NC13-15-0323	1	FLOATING SKATE (MIDDLE BACK)
4	NC13-86-0052	2	SPRING 1/2" ID X 1" OD X 5" LG
5	91-42-0142	1	FLOATING SKATE (RIGHT INSIDE)
6	NC02-48-0549	4	STAINLESS FLAT HEAD SOCKET CAP SCREW 1/2-13 X 2 1/4"
7	NC02-48-0537	7	STAINLESS FLAT HEAD SOCKET CAP SCREW 3/8-16 X 2 1/4"
8	91-20-0163	2	WASHER
9	91-20-0150	4	WASHER
10	91-20-0160	4	WASHER
11	NC01-96-0011	7	NYLON NUT 3/8-16
12	NC01-96-0014	4	NYLON INSERT LOCKNUT 1/2-13"
13	91-09-0000	4	BUSHING
14	92-57-0266	1	RIGHT BLADE



IMPORTANT

USE THIS PARTS ONLY IF YOUR SERIAL NUMBER IS INVOLVED:

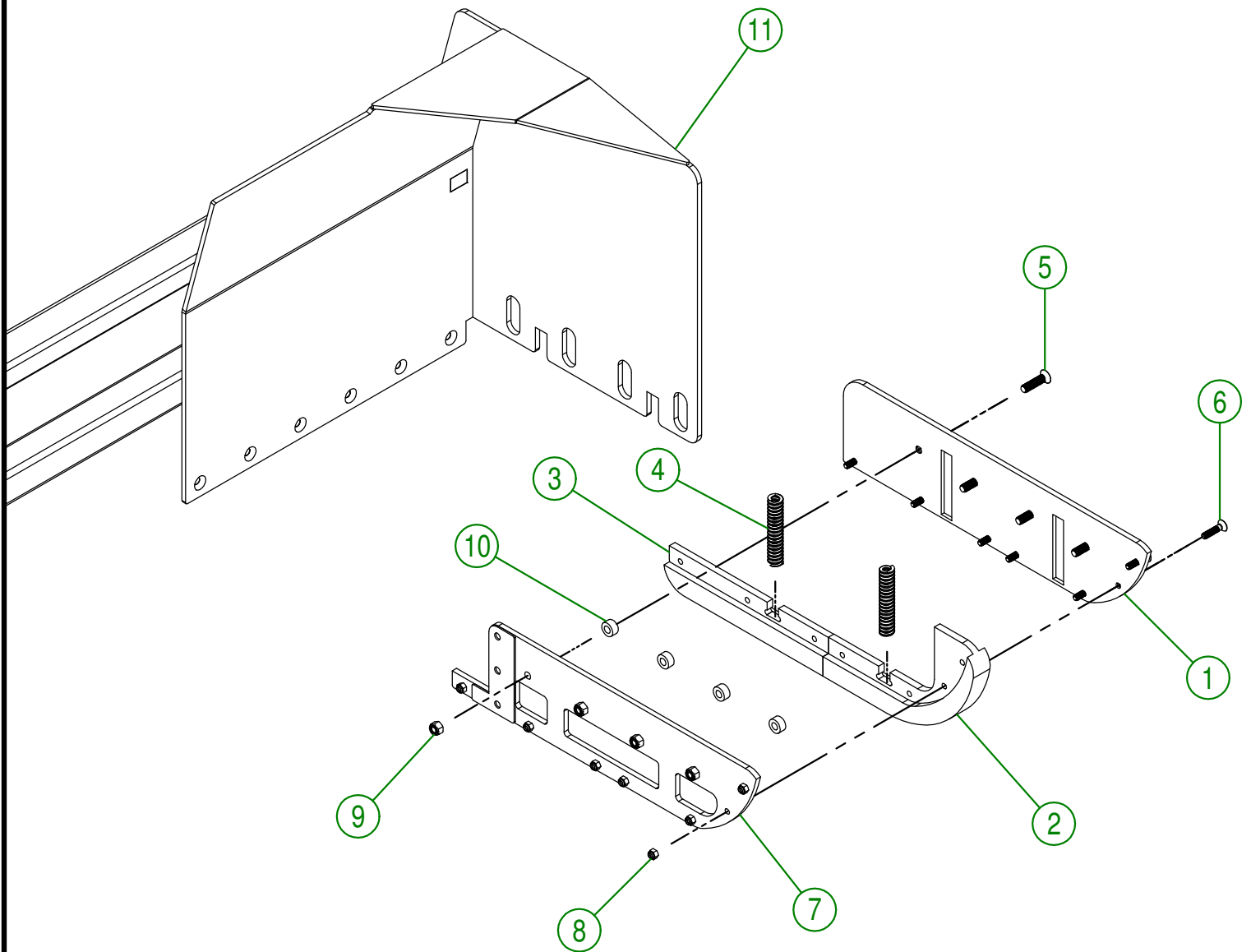
#37424 OR UNDER

AGRIMETAL RIGHT BLADE GROUP

CREATION : 08/05/17
REVISION : 10/01/19

ASSEMBLY : 92-57-0046
AUTHOR : J.H. Page 7 de 13

#	PART #	Qty	TITLE
1	91-42-0400	1	FLOATING SKATE (RIGHT OUTSIDE)
2	91-42-0138	1	FLOATING SKATE (MIDDLE FRONT)
3	91-42-0150	1	FLOATING SKATE (MIDDLE BACK)
4	NC13-86-0052	2	SPRING 1/2" ID X 1" OD X 5" LG
5	NC02-48-0548	4	FLAT HEAD SOCKET CAP SCREW STAINLESS 1/2-13 X 2"
6	NC02-48-0535	7	STAINLESS FLAT HEAD SOCKET CAP SREW 3/8-16 X 1 3/4
7	91-50-0355	1	FLOATING SKATE (RIGHT INSIDE)
8	NC01-96-0011	7	NYLON NUT 3/8-16
9	NC01-96-0014	4	NYLON INSERT LOCKNUT 1/2-13"
10	91-09-0000	4	BUSHING
11	92-57-0266	1	RIGHT BLADE



IMPORTANT

USE THIS PARTS ONLY IF YOUR SERIAL NUMBER IS INVOLVED:

#37430 OR ABOVE

AGRIMETAL
RIGHT BLADE

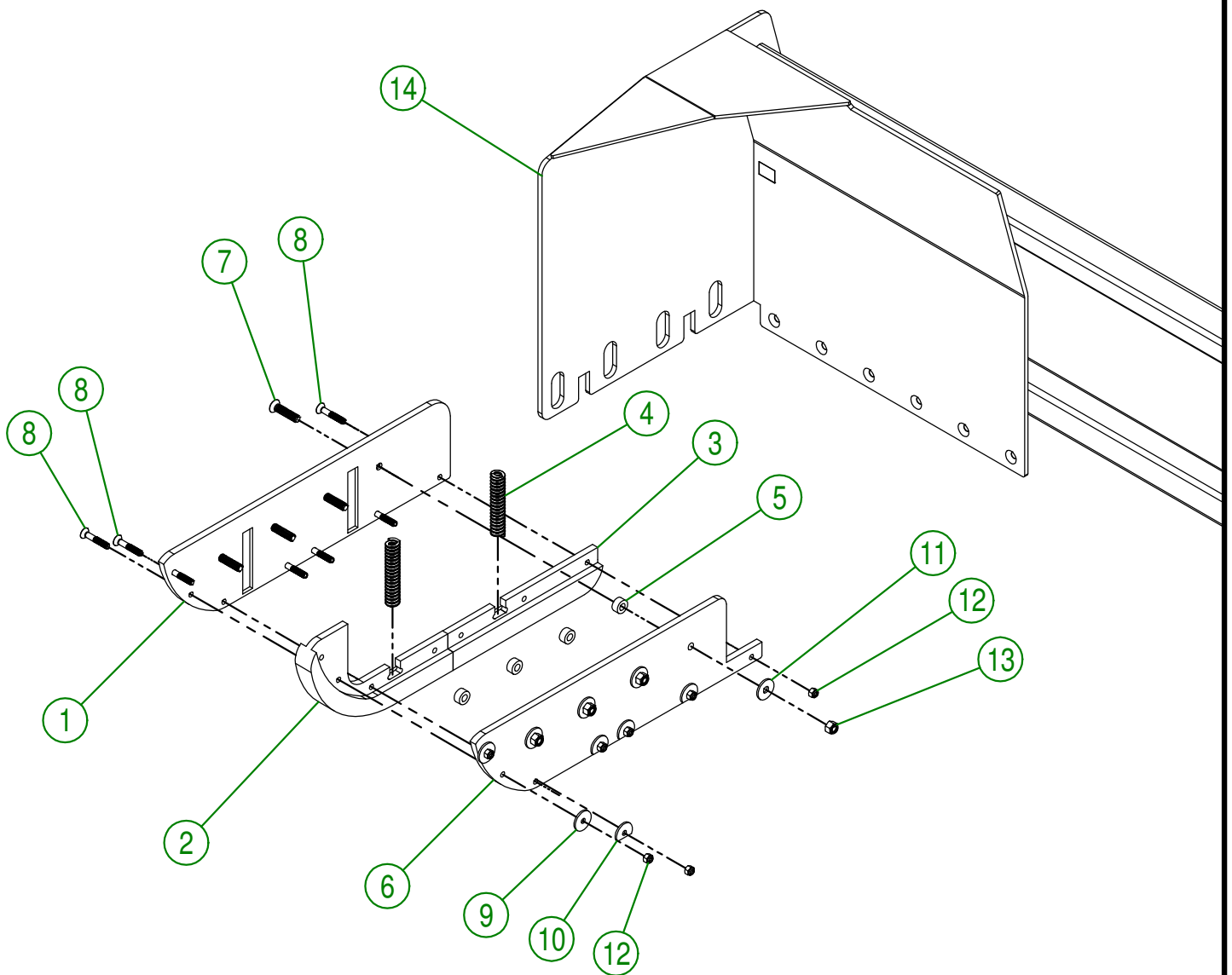
CREATION : 05/11/18
REVISION : 28/10/19

ASSEMBLY : **92-57-0047**

AUTHOR : J. Houle

Page 8 de 13

#	PART #	Qty	TITLE
1	91-42-0140	1	FLOATING SKATE (LEFT EXT.)
2	NC13-15-0325	1	FLOATING SKATE (MIDDLE FRONT)
3	NC13-15-0323	1	FLOATING SKATE (MIDDLE BACK)
4	NC13-86-0052	2	SPRING 1/2" ID X 1" OD X 5" LG
5	91-09-0000	4	BUSHING
6	91-42-0136	1	FLOATING SKATE (LEFT INT.)
7	NC02-48-0549	4	STAINLESS FLAT HEAD SOCKET CAP SCREW 1/2-13 X 2 1/4"
8	NC02-48-0537	7	STAINLESS FLAT HEAD SOCKET CAP SCREW 3/8-16 X 2 1/4"
9	91-20-0163	2	WASHER
10	91-20-0160	4	WASHER
11	91-20-0150	4	WASHER
12	NC01-96-0011	7	NYLON NUT 3/8-16
13	NC01-96-0014	4	NYLON INSERT LOCKNUT 1/2-13"
14	92-57-0271	1	LEFT BLADE



IMPORTANT

USE THIS PARTS ONLY IF YOUR SERIAL NUMBER IS INVOLVED:

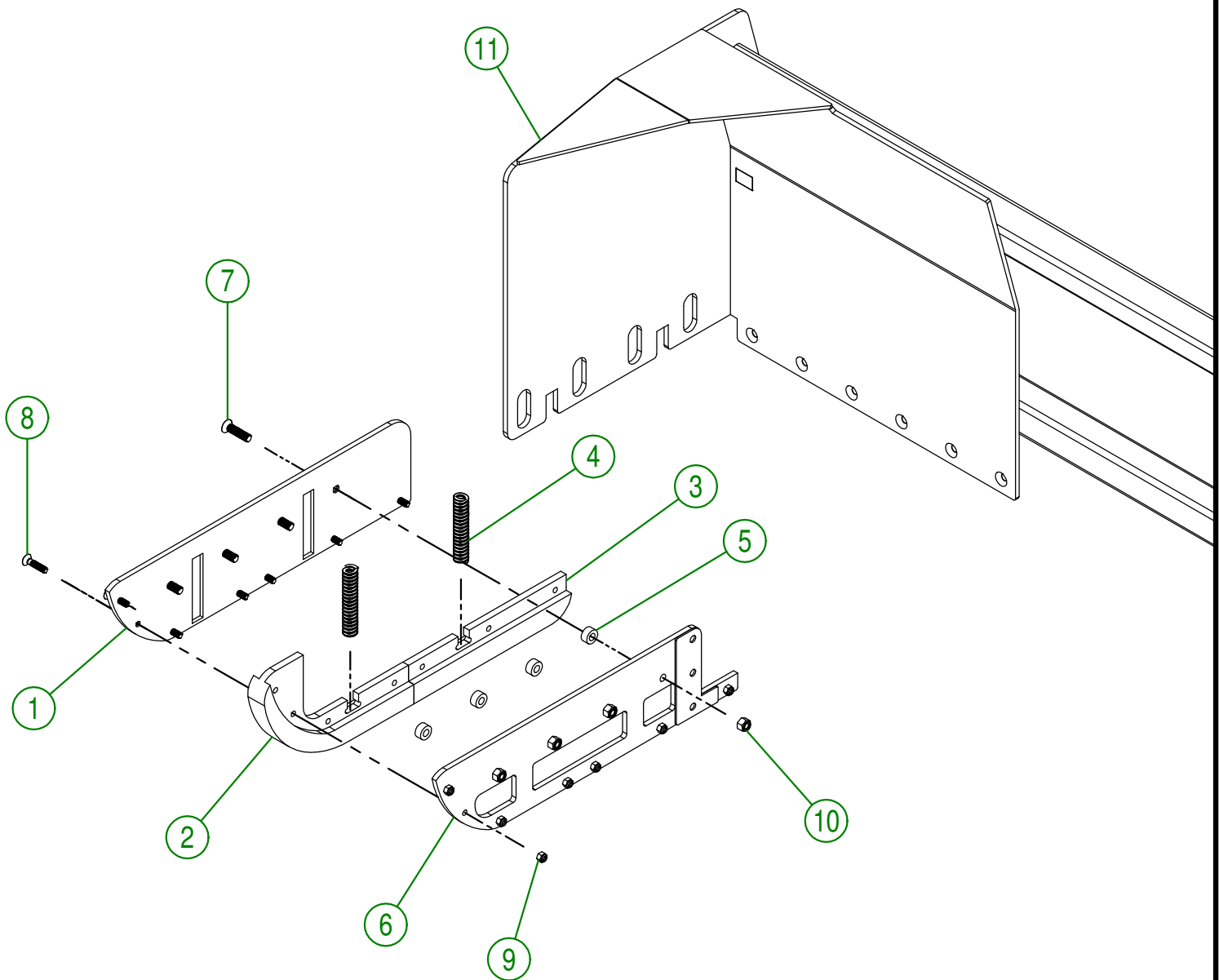
#37424 OR UNDER

AGRIMETAL LEFT BLADE GROUP.

CREATION : 08/05/17
REVISION : 10/01/19

ASSEMBLY : 92-57-0051
AUTHOR : J.H. Page 9 de 13

#	PART #	Qty	TITLE
1	91-42-0403	1	FLOATING SKATE (LEFT EXT.)
2	91-42-0138	1	FLOATING SKATE (MIDDLE FRONT)
3	91-42-0150	1	FLOATING SKATE (MIDDLE BACK)
4	NC13-86-0052	2	SPRING 1/2" ID X 1" OD X 5" LG
5	91-09-0000	4	BUSHING
6	91-50-0360	1	FLOATING SKATE (LEFT INSIDE)
7	NC02-48-0548	4	FLAT HEAD SOCKET CAP SCREW STAINLESS 1/2-13 X 2"
8	NC02-48-0535	7	STAINLESS FLAT HEAD SOCKET CAP SREW 3/8-16 X 1 3/4
9	NC01-96-0011	7	NYLON NUT 3/8-16
10	NC01-96-0014	4	NYLON INSERT LOCKNUT 1/2-13"
11	92-57-0271	1	LEFT BLADE



IMPORTANT

USE THIS PARTS ONLY IF YOUR SERIAL NUMBER IS INVOLVED:

#37430 OR ABOVE

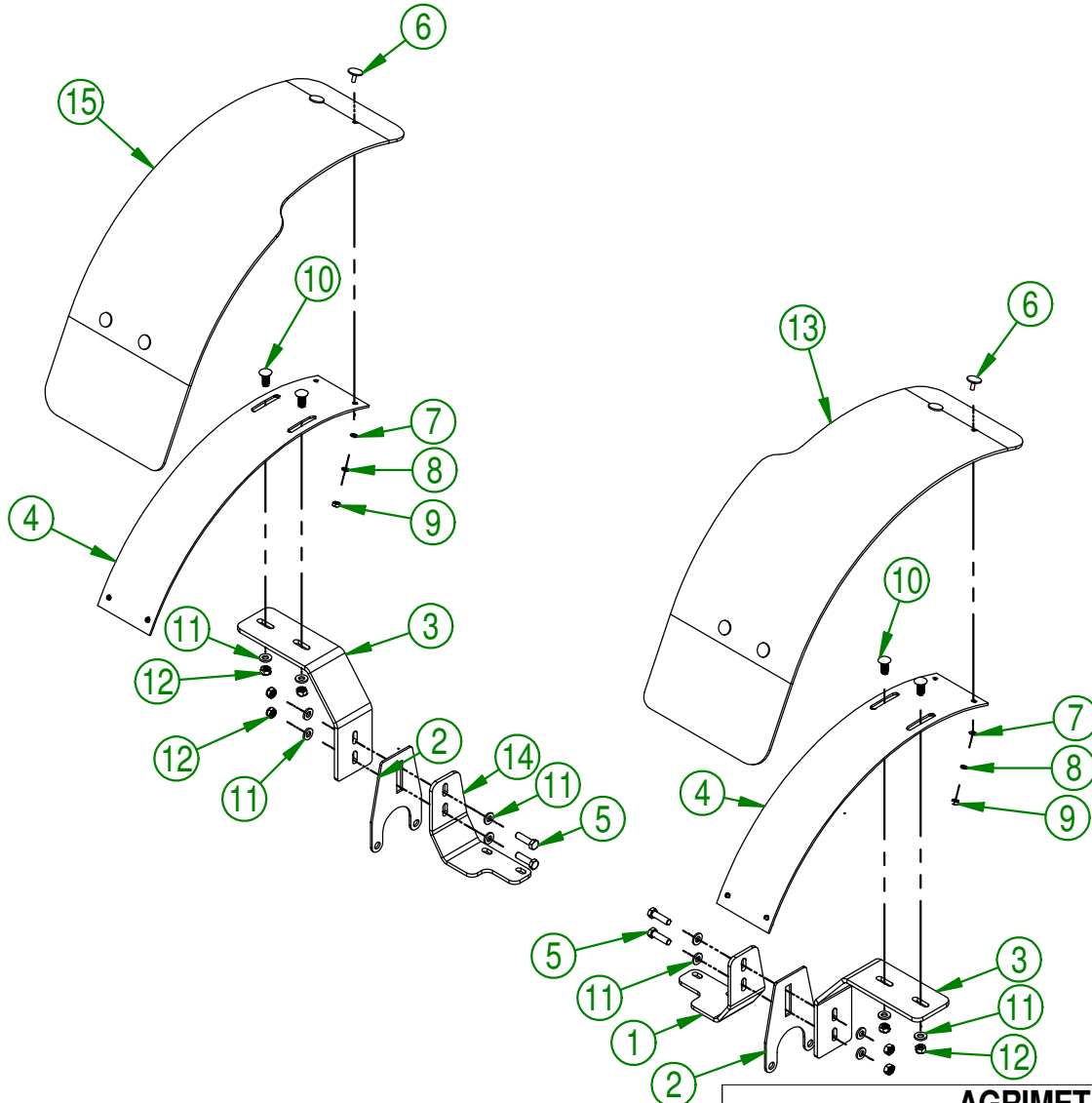
AGRIMETAL
LEFT BLADE GROUP.

CREATION : 05/11/18
REVISION : 28/10/19

ASSEMBLY : **92-57-0052**

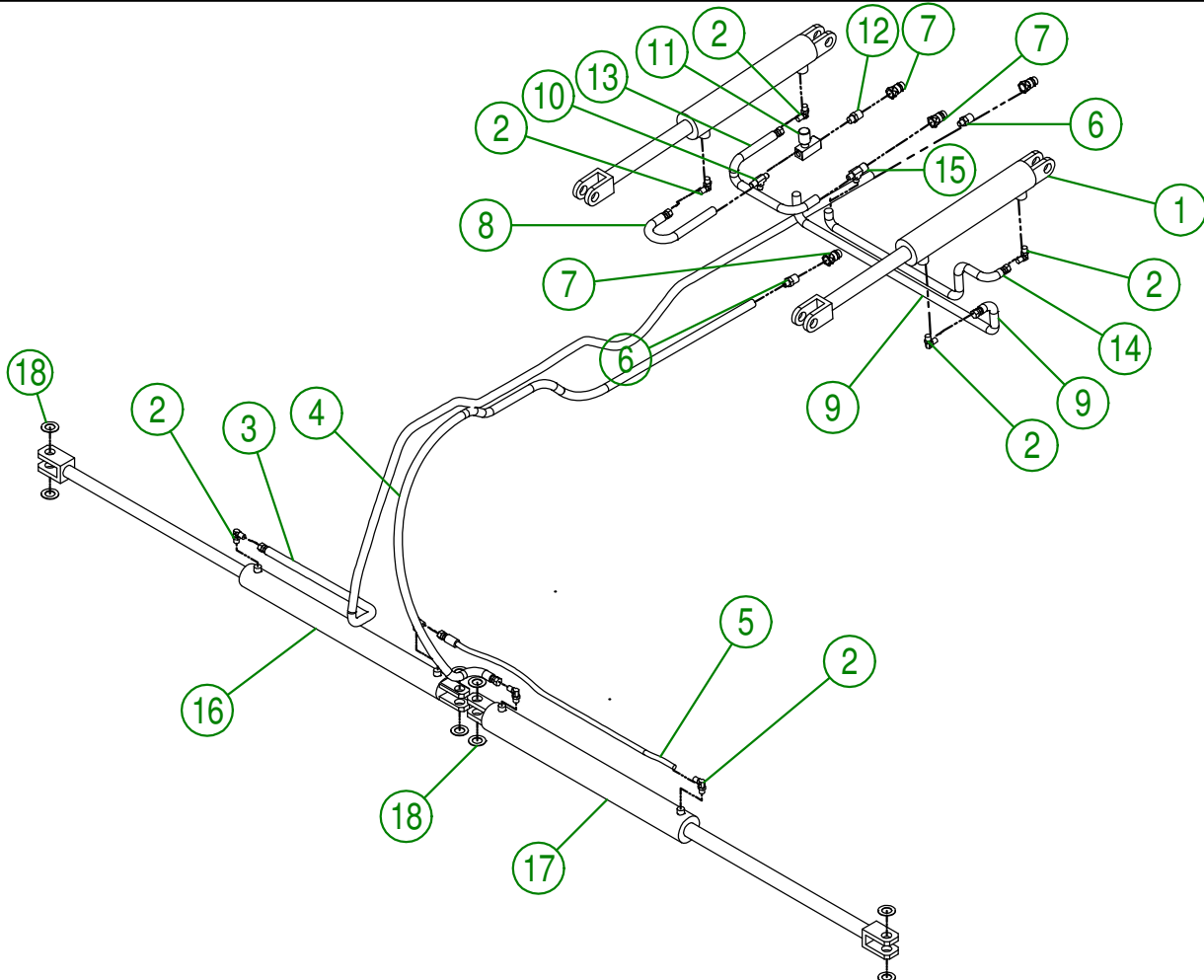
AUTHOR : J. Houle Page 10 de 13

#	PART #	Qty	TITLE
1	92-04-0420	1	RIGHT MUD GUARD BRACKET
2	92-04-0000	2	MUD GUARD BRACKET
3	92-04-0600	2	MUD GUARD BRACKET
4	92-04-0005	2	MUD GUARD BRACKET
5	NC01-17-0250	4	HEX. BOLT GR2 ZINC 1/2-13 X 1 3/4"
6	NC01-13-0062	8	ELEVATOR STAINLESS BOLT 5/16-18 X 1"
7	NC02-22-0008	8	WASHER ZINC 5/16"
8	NC02-32-0011	8	LOCK WASHER ZINC 5/16"
9	NC02-07-0017	8	HEX. NUT 5/16-18
10	NC01-04-0234	4	CARR. BOLT GR2 ZINC 1/2-13 X 1 1/4"
11	01-01-0925	12	WASHER
12	NC01-93-0014	8	LOCK NUT ZINC 1/2-13
13	92-42-0100	1	RIGHT GUARD
14	92-04-0423	1	LEFT MUD GUARD BRACKET
15	92-42-0103	1	LEFT GUARD



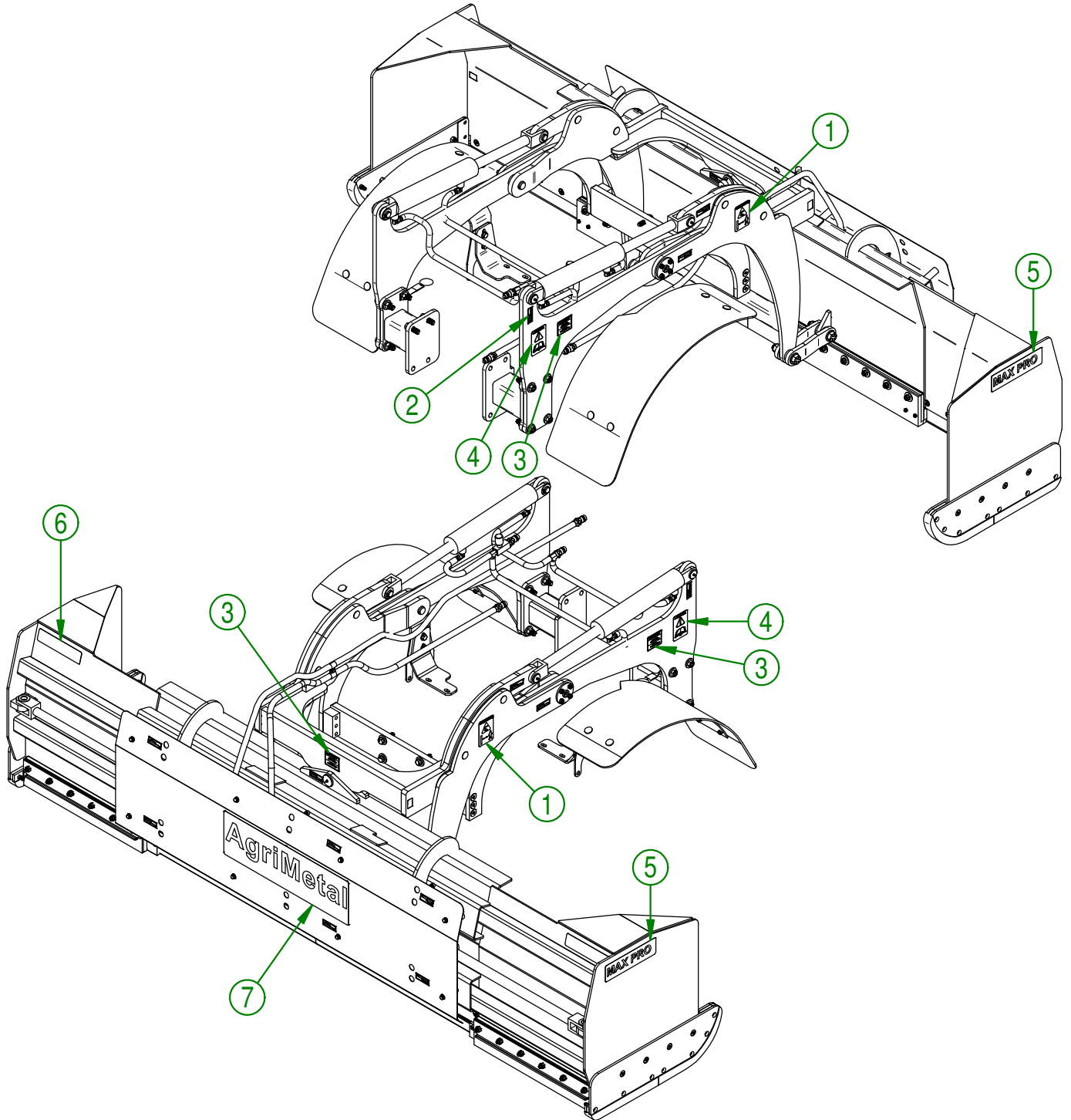
AGRIMETAL	
MUD GUARD GROUP	
CREATION : 19/07/16	ASSEMBLY : 92-57-0210
REVISION : 04/09/19	AUTHOR : Page 11 de 13

#	PART #	Qty	TITLE
1	NCI3-45-0257	2	HYDRAULIC CYLINDER 2 1/2" X 12" STROKE
2	NCI3-45-0254	8	90 DEG ELBOW 9/16"-18 MALE SAE6 O RING X 3/8" MALE JIC
3	NCI7-02-0371	1	HYDRAULIC HOSE 88"
4	NCI7-02-0371	1	HYDRAULIC HOSE 88"
5	NCI7-02-0351	1	HYDRAULIC HOSE 34"
6	NCI3-45-0247	2	STRAIGHT FITTING 1/2" MALE NPT X 3/8" MALE JIC
7	NCI3-45-0014	4	QUICK COUPLER 1/2-14 NPTF
8	NCI7-02-0361	1	HYDRAULIC HOSE 24"
9	NCI7-02-0354	1	HYDRAULIC HOSE 60"
10	NCI3-45-0244	1	TEE FITTING 3/8" MALE NPT X 3/8" MALE JIC X 3/8" MAL JIC
11	NCI3-45-0241	1	FLOW CONTROLE 3/8" NPT FEMALE
12	NCI3-45-0246	1	HEX 1/2" MALE NPT X 3/8" MALE NPT
13	NCI7-02-0361	1	HYDRAULIC HOSE 24"
14	NCI7-02-0354	1	HYDRAULIC HOSE 60"
15	NCI3-45-0287	1	T 1/2 MALE NPT X 38 MALE JIC X 3/8 MALE JIC
16	NCI3-45-0238	1	HYDRAULIC CYLINDER 2" X 24" STROKE
17	NCI3-45-0237	1	HYDRAULIC CYLINDER 2 1/2" X 24" STROKE
18	91-22-2200	8	FLAT WASHER HYDRAULIC CYLINDER



AGRIMETAL	
HYDRAULIC GROUP	
CREATION : 10/08/16	ASSEMBLY : 92-57-0220
REVISION : 14/02/19	AUTHOR : J.A.H Page 12 de 13

#	PART #	Qty	TITLE
1	NCI3-33-0268	2	STICKER WARNING
2	NCI3-33-0024	14	STICKER GREASE HERE
3	NCI3-33-0319	3	STICKER IMPORTANT GREASE EVERY 5 HOURS
4	NCI3-33-0183	2	STICKER CAUTION OPERATION MANUAL
5	NCI3-33-0265	2	STICKER MAX PRO
6	28-60-0050	2	STICKER SCOTCHLITE
7	NCI3-33-0318	1	STICKER AGRIMETAL INC (XL)



AGRIMETAL	
MAX PRO (KUBOTA L6060 6-10 B)	
CREATION : 16/01/18	ASSEMBLY : 92-99-0501
REVISION : 18/02/19	AUTHOR : J.KABWE Page 13 de 13