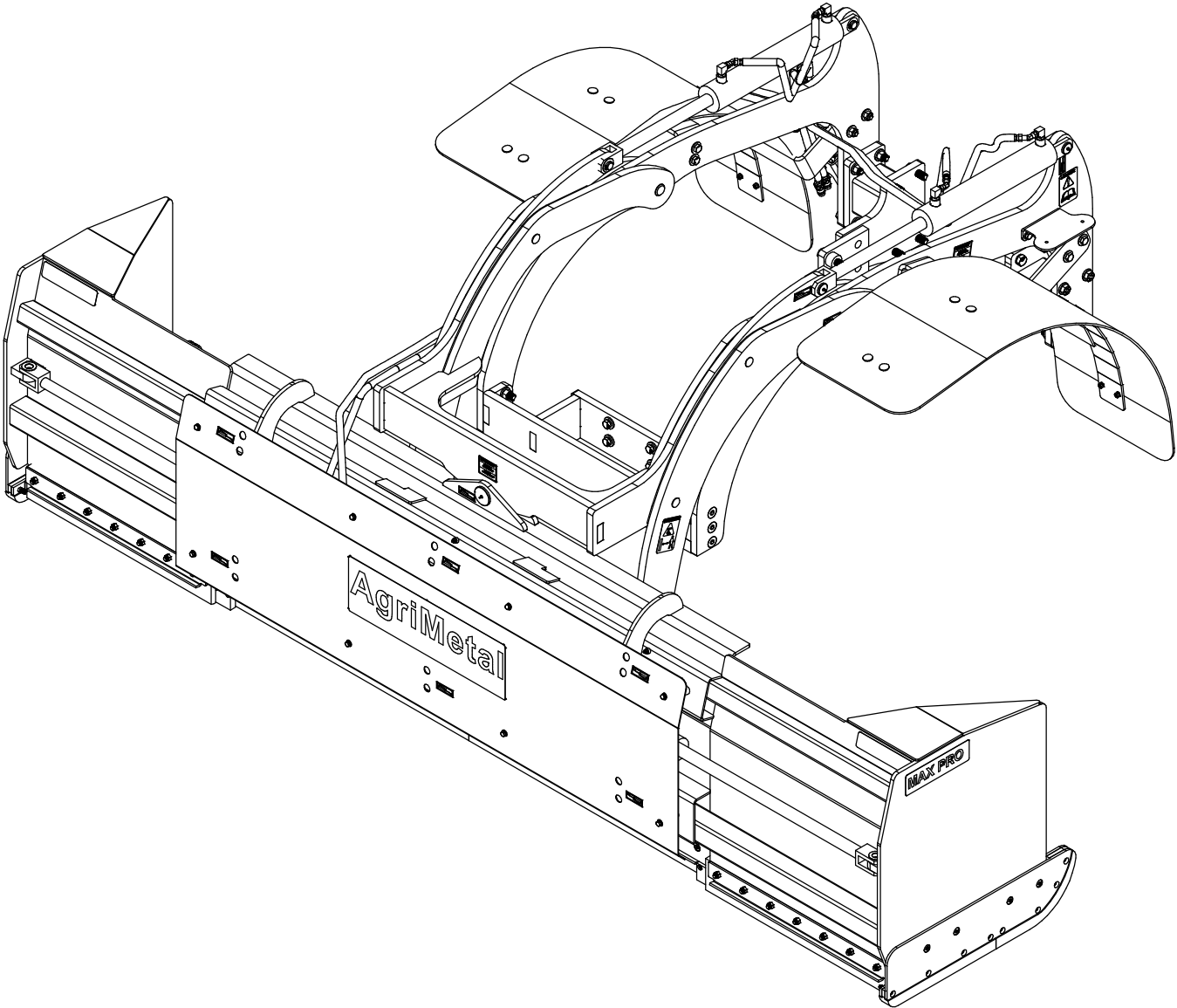
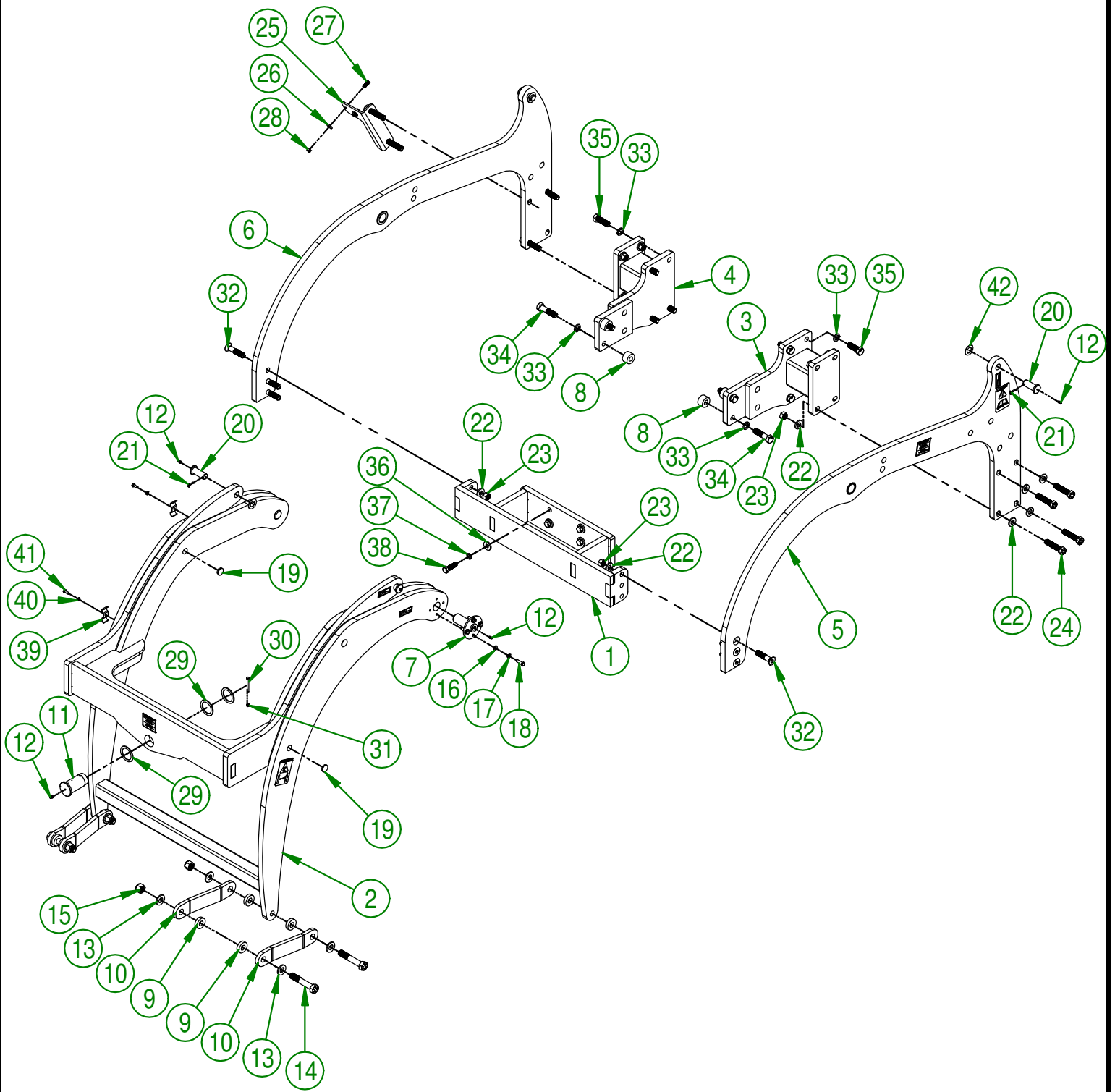


AgriMetal

PARTS LIST



MAX PRO KUBOTA M5 7-12H



AGRIMETAL
SUBFRAME GROUP.

CREATION : 20/07/18
 REVISION : 15/02/19

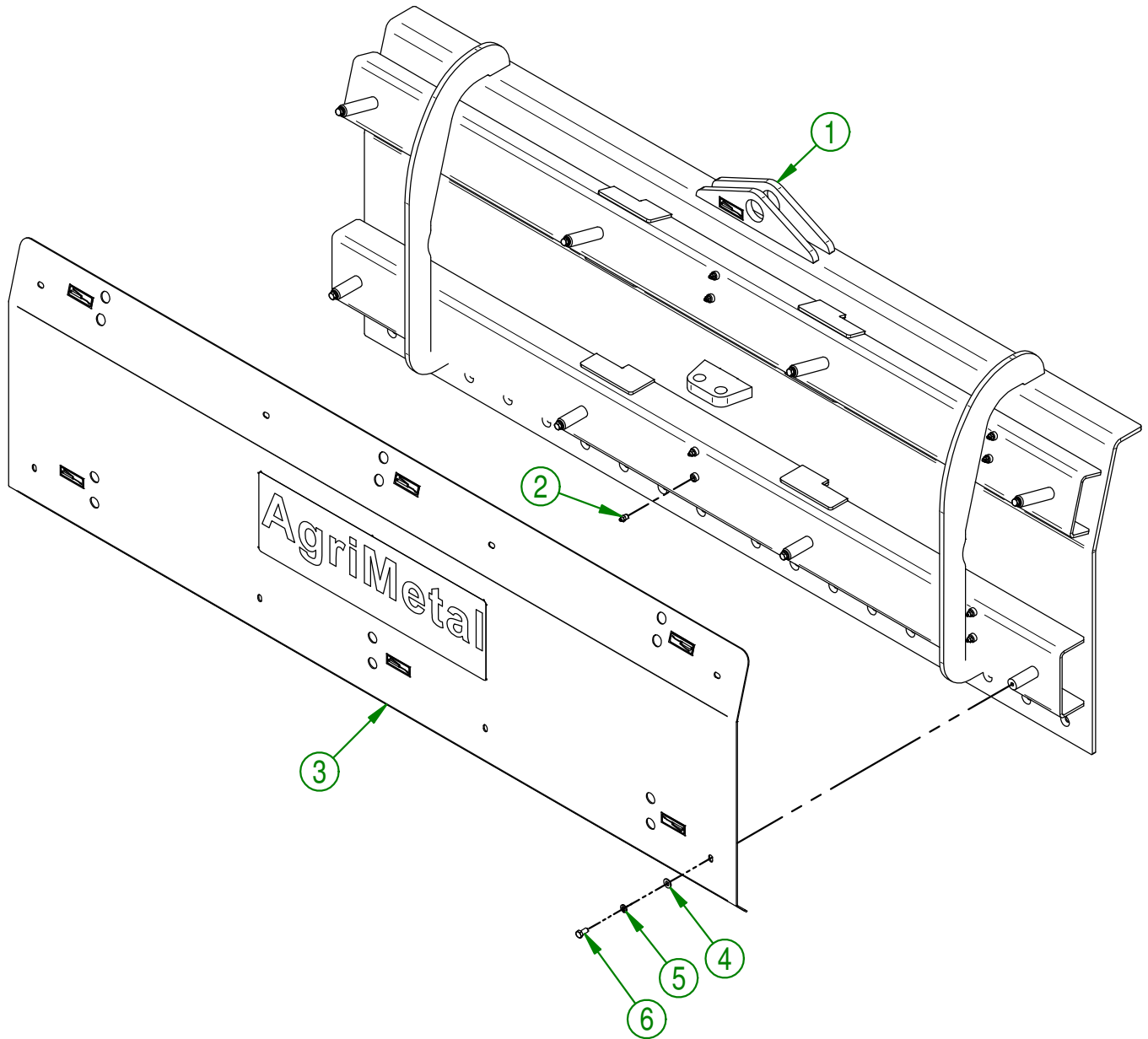
ASSEMBLY : **92-57-0390**

AUTHOR : J.KABWE

Page 1 de 13

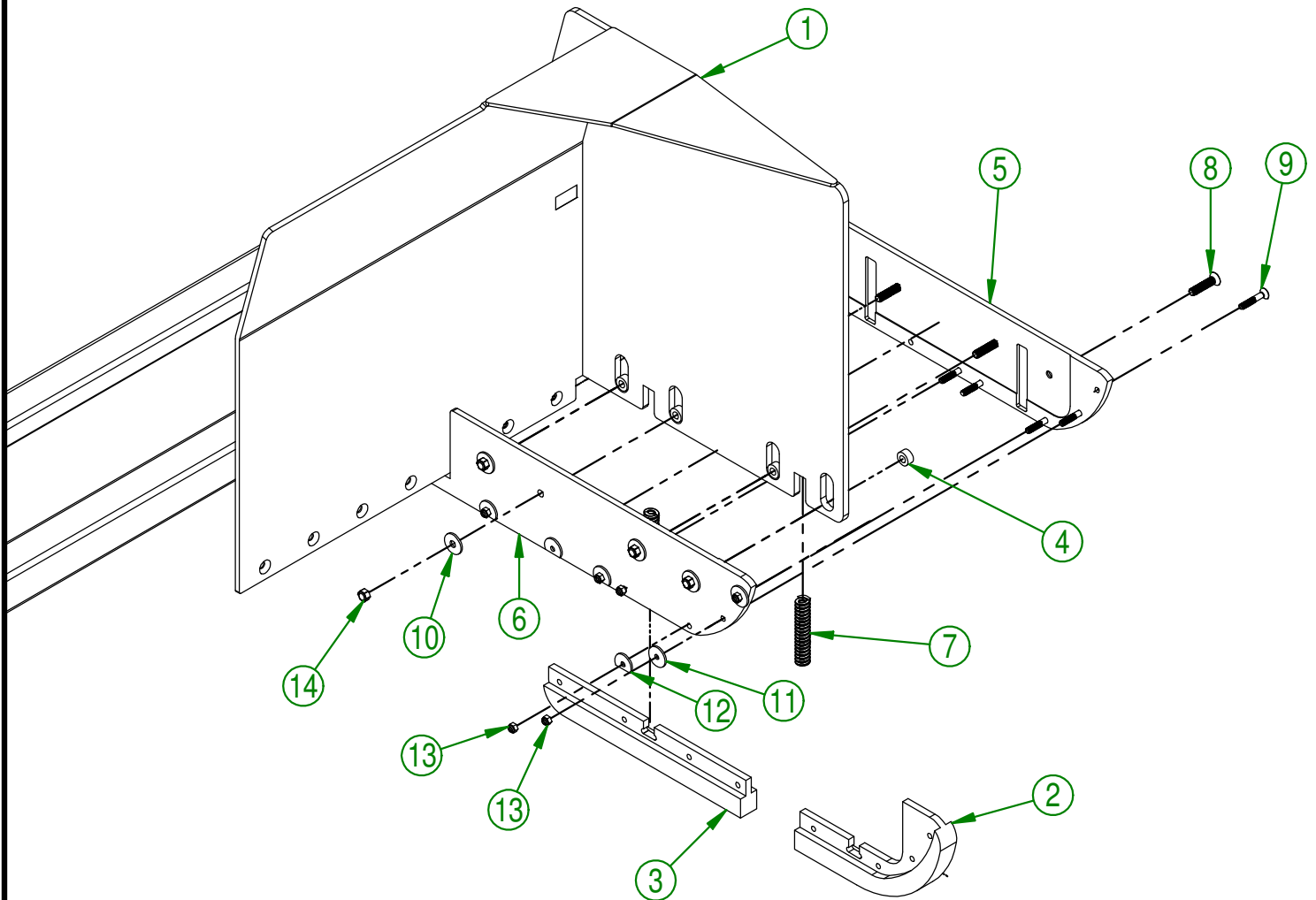
#	PART #	Qty	TITLE
1	92-50-0150	1	FRAME SUPPORT
2	92-57-0415	1	SUBFRAME "STICKER INCLUDED"
3	92-50-0160	1	FRAME SUPPORT (LEFT)
4	92-50-0165	1	FRAME SUPPORT (RIGHT)
5	92-57-0405	1	LEFT FIXED FRAME "STICKER INCLUDED"
6	92-57-0410	1	RIGHT FIXED FRAME "STICKER INCLUDED"
7	91-50-0325	2	SUBFRAME PIVOT
8	92-09-0000	4	FRAME SUPPORT SPACE
9	NC13-15-0319	8	RUBBER WASHER
10	92-04-0125	4	BLADE CONNECTOR
11	91-13-2801	1	CENTER PIVOT SHAFT
12	NC01-69-0785	7	STRAIGHT GREASE FITTING 1/4-28
13	NC17-57-0052	8	FLAT WASHER
14	NC01-33-0508	4	HEX. BOLT GR8 NC ZINC 7/8-9 X 5" LG
15	NC01-96-0018	4	NYLON INSERT NUT 7/8-9
16	01-01-2485	8	FLAT WASHER 14 GA X 13/16"OD X 25/64" ID
17	NC02-32-0012	8	LOCK WASHER ZINC 3/8"
18	NC01-37-0115	8	HEX. BOLT GR8 NF ZINC 3/8-24 X 1 1/4"
19	NC13-80-0273	8	BLACK CAP 1" DIA
20	91-20-0210	4	CYLINDER PIVOT
21	NC01-69-0159	4	COTTER PIN ZINC 3/16 X 1 1/2"
22	92-20-0005	22	WASHER
23	NC01-93-0017	14	HEX. LOCKNUT STEEL NF Z 3/4-16
24	NC01-33-0475	8	HEX. BOLT GR8 NC ZINC 3/4-10 X 3 1/2"
25	92-04-0150	1	SUPPORT PLATE
26	21-01-0950	2	FLAT WASHER 10GA 1.005" DIA X 25/64"
27	NC01-37-0114	2	BOLT GR8 3/8" X 1"
28	NC01-94-0011	2	LOCK NUT 3/8-24
29	92-01-0010	3	WASHER 2 3/4" OD X 2 1/16" ID
30	NC01-17-0012	1	HEX. BOLT GR2 NC ZINC 1/4-20 X 2 1/2"
31	NC01-93-0001	1	HEX. NUT NC ZINC 1/4-20
32	NC02-48-0066	6	FLAT HEAD SCREW 3/4-10 X 3 1/2"
33	NC02-32-1015	12	LOCK WASHER STAINLESS M16
34	NC01-50-0162	4	BOLT METR.GR.10.9 NC 20MM X 1.5THREAD X 80MM
35	NC01-50-0158	8	BOLT METR. GRA 10.9 NF 20MM X 1.5THREAD X 60MM
36	91-20-0155	4	FLAT WASHER
37	NC02-32-0016	4	LOCK WASHER ZINC 5/8"
38	NC01-50-0107	4	BOLT GR10.9 NF 16MM X 1.5 THREAD X 50MM LG
39	91-01-0020	2	HYDRAULIC HOSE PROTECTOR
40	NC02-32-0011	2	LOCK WASHER ZINC 5/16"
41	NC01-17-0058	2	HEX. BOLT GR2 ZINC 5/16-18 X 3/4"
42	91-22-2200	4	FLAT WASHER HYDRAULIC CYLINDER

#	PART #	Qty	TITLE
1	91-57-0241	1	CENTRAL BLADE (WITH STICKER)
2	NC01-69-0791	12	GREASE FITTING 1/8 NPT STRAIGHT
3	91-57-0500	1	HYDRAULIC CYLINDER GUARD
4	01-01-2485	8	FLAT WASHER 14 GA X 13/16"OD X 25/64" ID
5	NC02-32-0012	8	LOCK WASHER ZINC 3/8"
6	NC01-17-0112	8	HEX. BOLT GR2 ZINC 3/8-16 X 3/4"



AGRIMETAL	
SNOW BLADE GROUP	
CREATION : 23/03/18	ASSEMBLY : 91-57-0271
REVISION : 15/10/18	AUTHOR : J.KABWE Page 3 de 13

#	PART #	Qty	TITLE
1	91-57-0251	1	RIGHT BLADE (WITH STICKER)
2	NC13-15-0325	1	FLOATING SKATE (MIDDLE FRONT)
3	NC13-15-0324	1	FLOATING SKATE (MIDDLE BACK)
4	91-09-0000	4	BUSHING
5	91-42-0185	1	FLOATING SKATE (RIGHT OUTSIDE)
6	91-42-0180	1	FLOATING SKATE (RIGHT INT.)
7	NC13-86-0052	2	SPRING 1/2" ID X 1" OD X 5" LG
8	NC02-48-0549	4	STAINLESS FLAT HEAD SOCKET CAP SCREW 1/2-13 X 2 1/4"
9	NC02-48-0537	8	STAINLESS FLAT HEAD SOCKET CAP SCREW 3/8-16 X 2 1/4"
10	91-20-0150	4	WASHER
11	91-20-0163	2	WASHER
12	91-20-0160	6	WASHER
13	NC01-96-0011	8	NYLON NUT 3/8-16
14	NC01-96-0014	4	NYLON-INSERT LOCKNUT ZINC 1/2-13



IMPORTANT

USE THIS PARTS ONLY IF YOUR SERIAL NUMBER IS INVOLVED:

#37424 OR UNDER

AGRIMETAL RIGHT BLADE GROUP

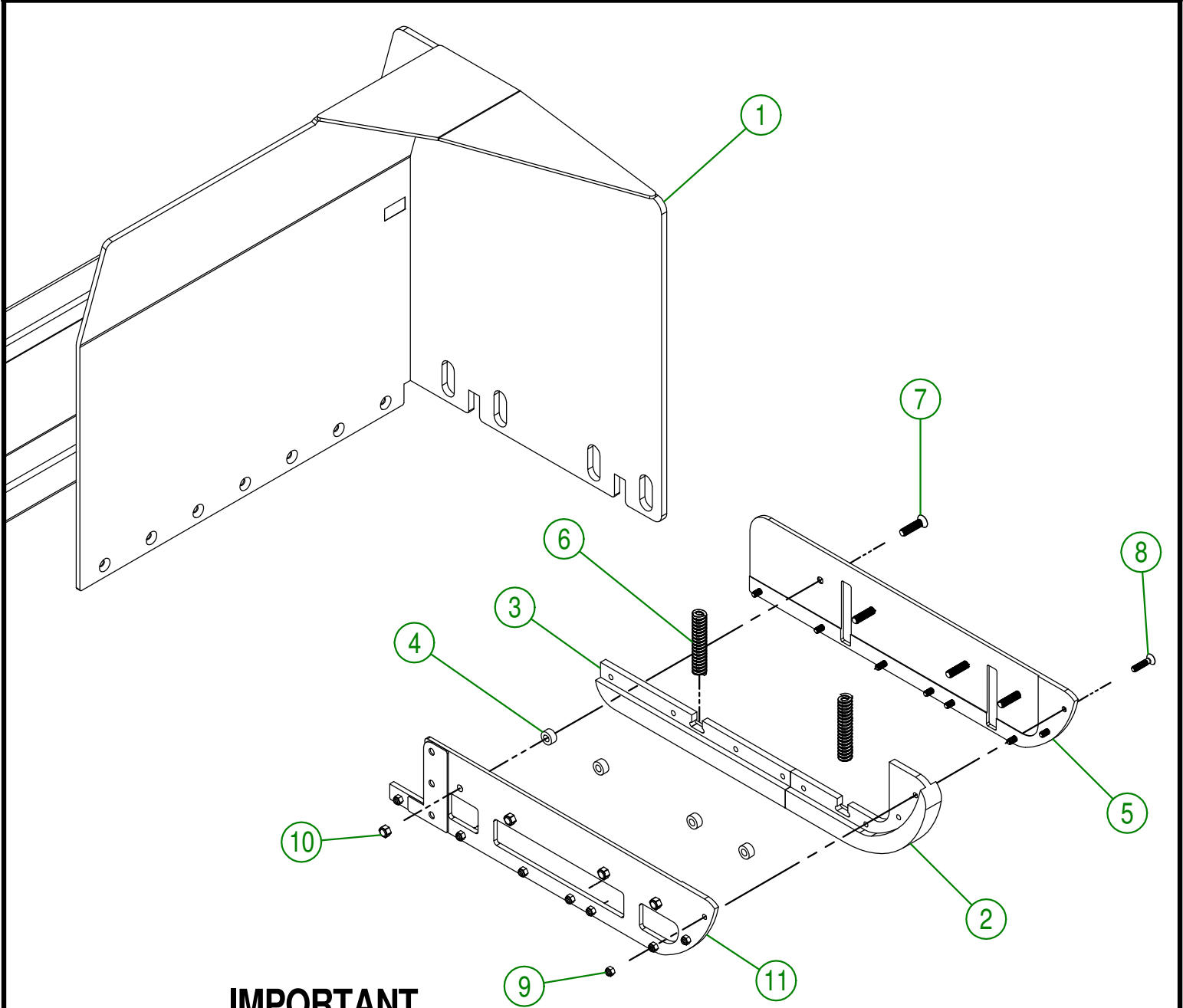
CREATION : 18/01/18
REVISION : 09/01/19

ASSEMBLY : **91-57-0256**

AUTHOR : J.KABWE

Page 4 de 13

#	PART #	Qty	TITLE
1	91-57-0251	1	RIGHT BLADE (WITH STICKER)
2	91-42-0138	1	FLOATING SKATE (MIDDLE FRONT)
3	91-42-0175	1	FLOATING SKATE (MIDDLE BACK)
4	91-09-0000	4	BUSHING
5	91-42-0410	1	FLOATING SKATE (RIGHT OUTSIDE)
6	NC13-86-0052	2	SPRING 1/2" ID X 1" OD X 5" LG
7	NC02-48-0548	4	FLAT HEAD SOCKET CAP SCREW STAINLESS 1/2-13 X 2"
8	NC02-48-0535	8	STAINLESS FLAT HEAD SOCKET CAP SREW 3/8-16 X 1 3/4
9	NC01-96-0011	8	NYLON NUT 3/8-16
10	NC01-96-0014	4	NYLON-INSERT LOCKNUT ZINC 1/2-13
11	91-50-0370	1	FLOATING SKATE (RIGHT INT.)



IMPORTANT

USE THIS PARTS ONLY IF YOUR SERIAL NUMBER IS INVOLVED:

#37430 OR ABOVE

AGRIMETAL
RIGHT BLADE GROUP

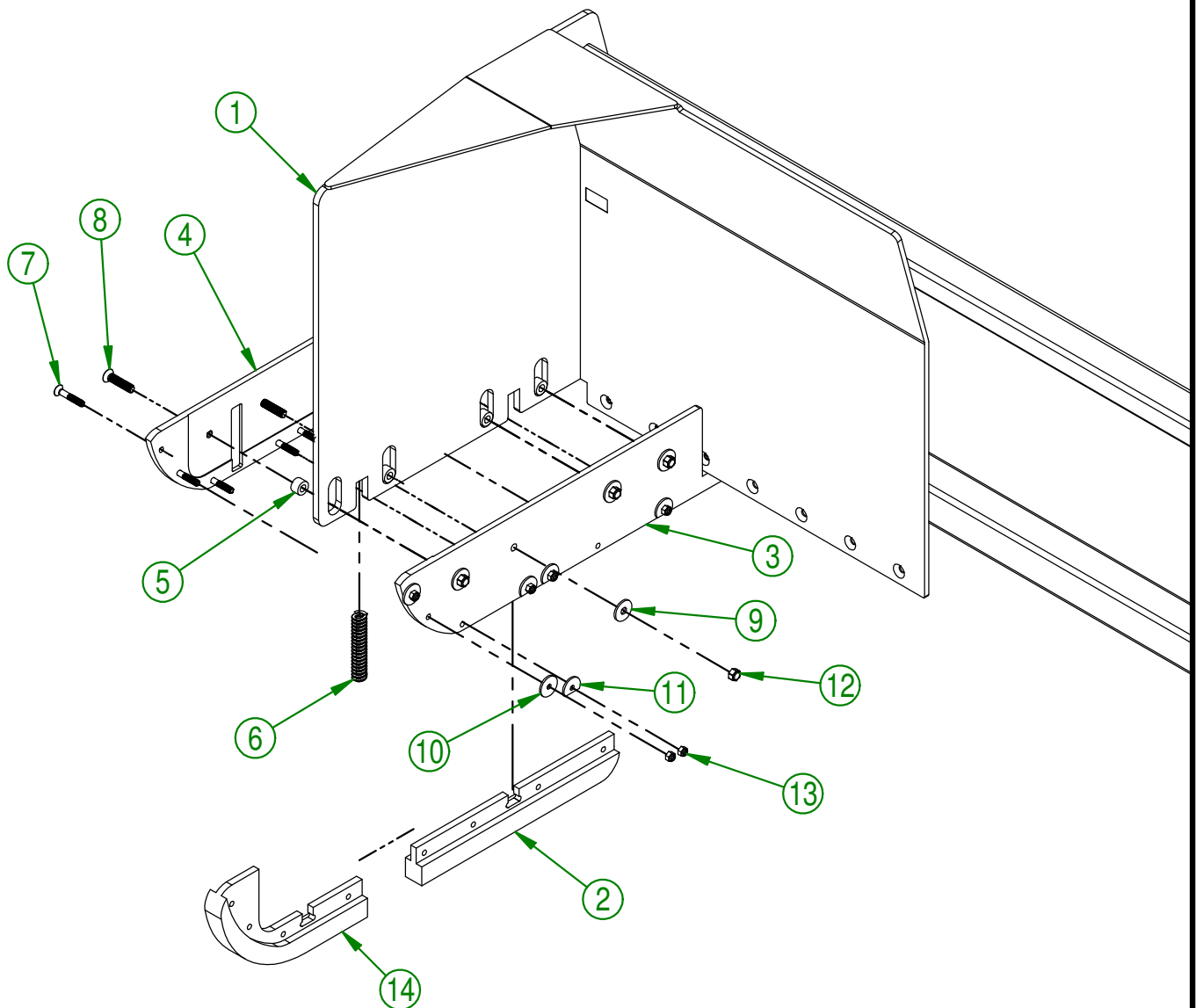
CREATION : 05/11/18
REVISION : 25/10/19

ASSEMBLY : **91-57-0257**

AUTHOR : J. Houle

Page 5 de 13

#	PART #	Qty	TITLE
1	91-57-0261	1	LEFT BLADE (WITH STICKER)
2	NC13-15-0324	1	FLOATING SKATE (MIDDLE BACK)
3	91-42-0165	1	FLOATING SKATE (RIGHT INT.)
4	91-42-0160	1	FLOATING SKATE (RIGHT MIDDLE)
5	91-09-0001	4	BUSHING
6	NC13-86-0052	2	SPRING 1/2" ID X 1" OD X 5" LG
7	NC02-48-0537	8	STAINLESS FLAT HEAD SOCKET CAP SCREW 3/8-16 X 2 1/4"
8	NC02-48-0549	4	STAINLESS FLAT HEAD SOCKET CAP SCREW 1/2-13 X 2 1/4"
9	91-20-0150	4	WASHER
10	91-20-0163	2	WASHER
11	91-20-0160	6	WASHER
12	NC01-96-0014	4	NYLON-INSERT LOCKNUT ZINC 1/2-13
13	NC01-96-0011	8	NYLON NUT 3/8-16
14	NC13-15-0325	1	FLOATING SKATE (MIDDLE FRONT)



IMPORTANT

USE THIS PARTS ONLY IF YOUR SERIAL NUMBER IS INVOLVED:

#37424 OR UNDER

AGRIMETAL
LEFT BLADE GROUP

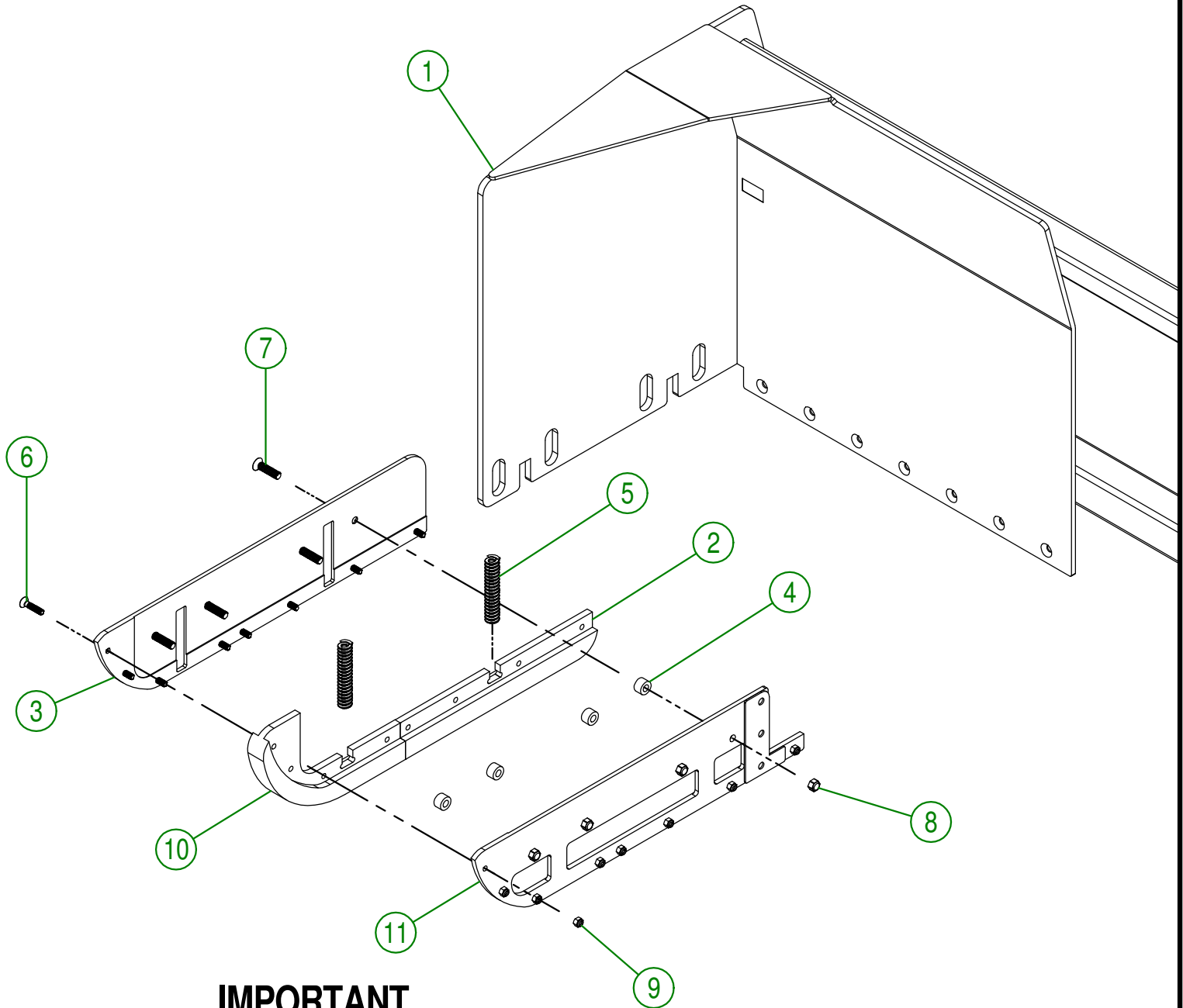
CREATION : 18/01/18
REVISION : 09/01/19

ASSEMBLY : **91-57-0266**

AUTHOR : J.KABWE

Page 6 de 13

#	PART #	Qty	TITLE
1	91-57-0261	1	LEFT BLADE (WITH STICKER)
2	91-42-0175	1	FLOATING SKATE (MIDDLE BACK)
3	91-42-0413	1	FLOATING SKATE (RIGHT MIDDLE)
4	91-09-0001	4	BUSHING
5	NC13-86-0052	2	SPRING 1/2" ID X 1" OD X 5" LG
6	NC02-48-0535	8	STAINLESS FLAT HEAD SOCKET CAP SREW 3/8-16 X 1 3/4
7	NC02-48-0548	4	FLAT HEAD SOCKET CAP SCREW STAINLESS 1/2-13 X 2"
8	NC01-96-0014	4	NYLON-INSERT LOCKNUT ZINC 1/2-13
9	NC01-96-0011	8	NYLON NUT 3/8-16
10	91-42-0138	1	FLOATING SKATE (MIDDLE FRONT)
11	91-50-0365	1	FLOATING SKATE (RIGHT INT.)



IMPORTANT

USE THIS PARTS ONLY IF YOUR SERIAL NUMBER IS INVOLVED:

#37430 OR ABOVE

AGRIMETAL
LEFT BLADE GROUP

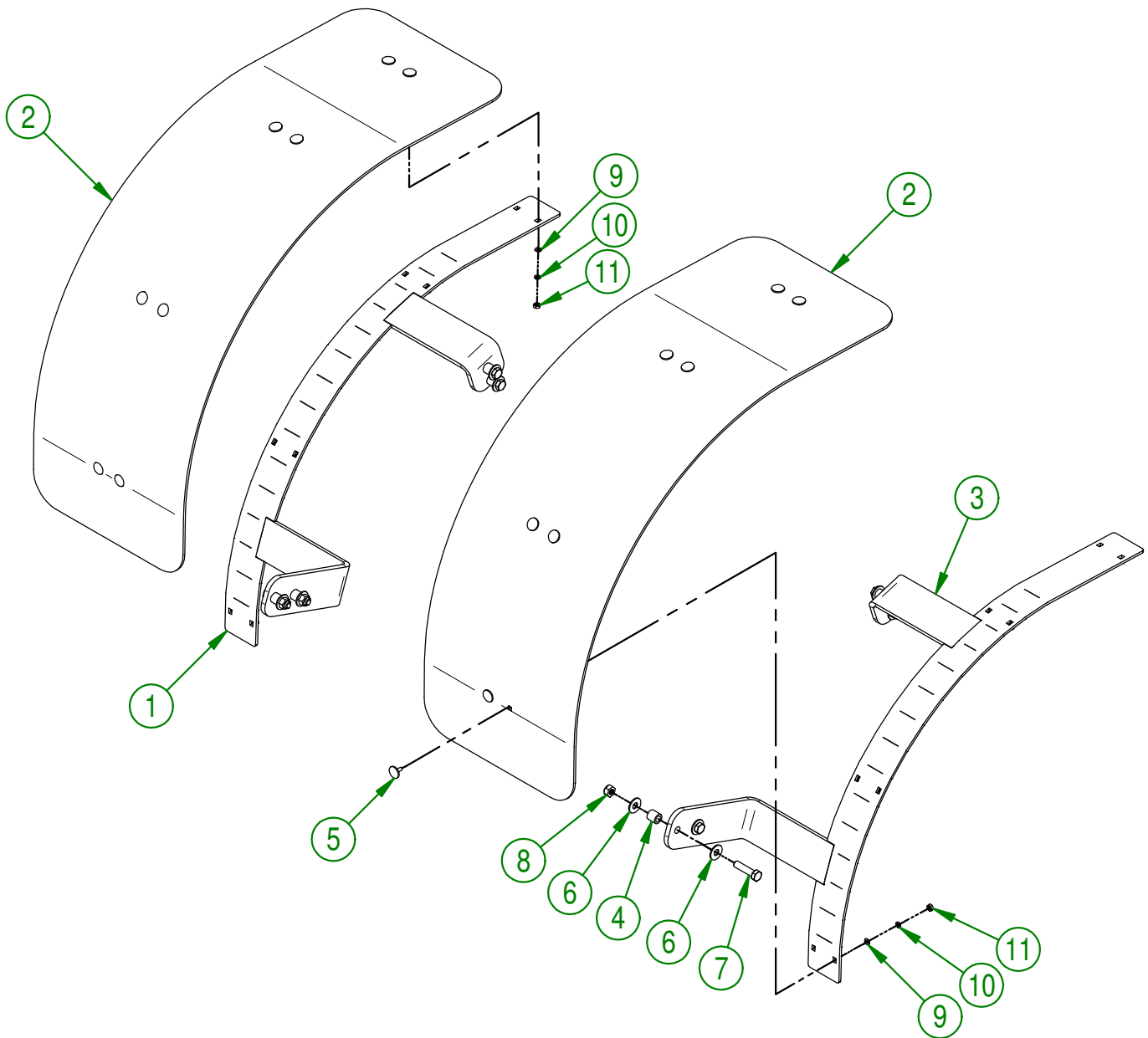
CREATION : 05/11/18
REVISION : 28/10/19

ASSEMBLY : **91-57-0267**

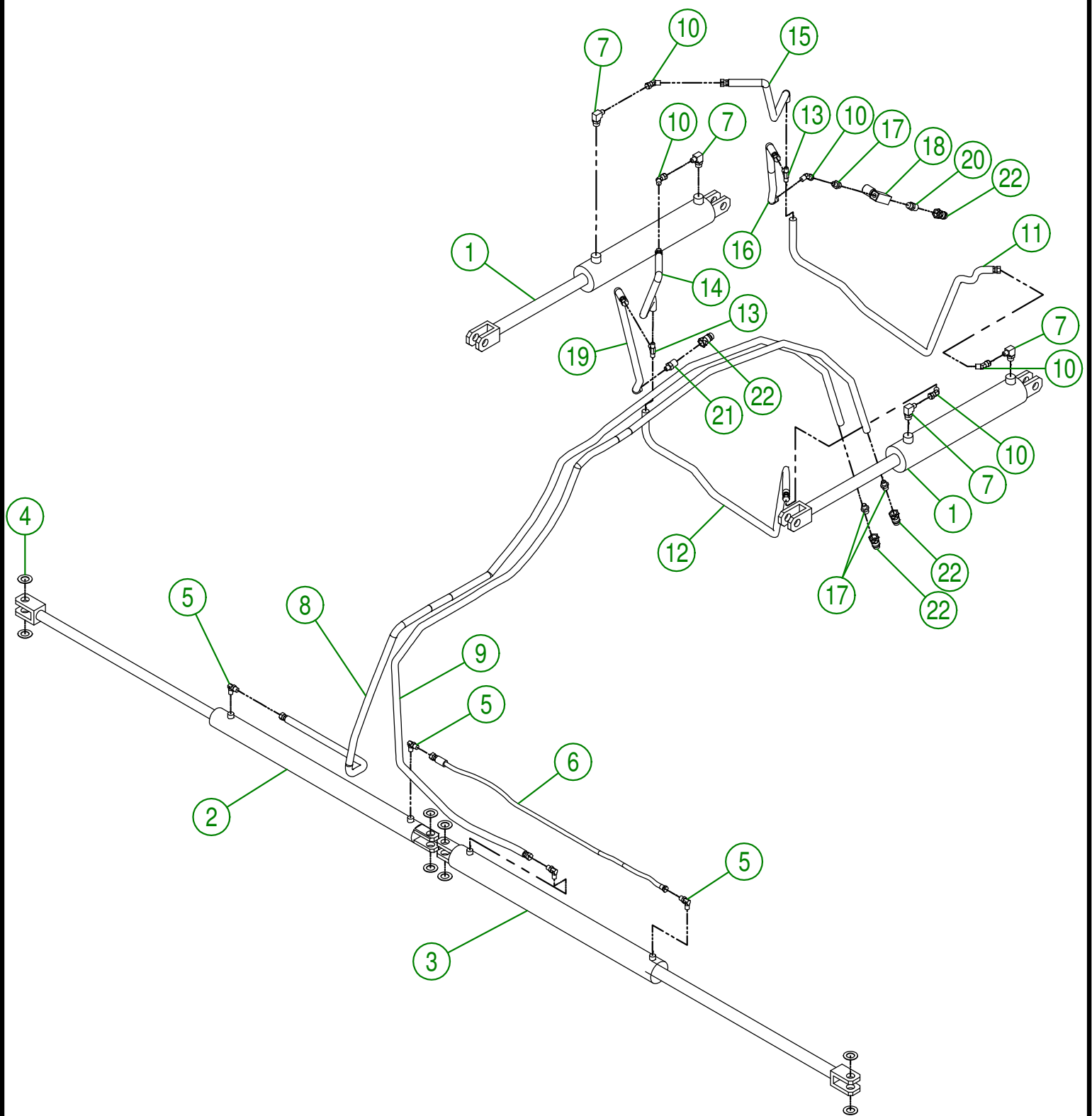
AUTHOR : J. Houle

Page 7 de 13

#	PART #	Qty	TITLE
1	92-50-0170	1	MUD SUPPORT (LEFT)
2	92-42-0105	2	GUARD
3	92-50-0173	1	MUD SUPPORT (RIGHT)
4	92-09-0005	8	BUSHING
5	NC01-13-0062	16	ELEVATOR STAINLESS BOLT 5/16-18 X 1"
6	NC02-22-0013	16	WASHER ZINC 5/8 ID X 1 1/2 OD
7	NC01-17-0398	8	HEX. BOLT GR2 NC ZINC 5/8-11 X 2 1/2"
8	NC01-93-0016	8	LOCK NUT ZINC 5/8-11
9	NC02-22-0008	16	WASHER ZINC 5/16"
10	NC02-32-0011	16	LOCK WASHER ZINC 5/16"
11	NC02-07-0017	16	HEX. NUT 5/16-18



AGRIMETAL	
MUD GUARD GROUP	
CREATION : 24/07/18	ASSEMBLY : 92-57-0395
REVISION : 01/11/18	AUTHOR : J.KABWE Page 8 de 13



AGRIMETAL
HYDRAULIC GROUP

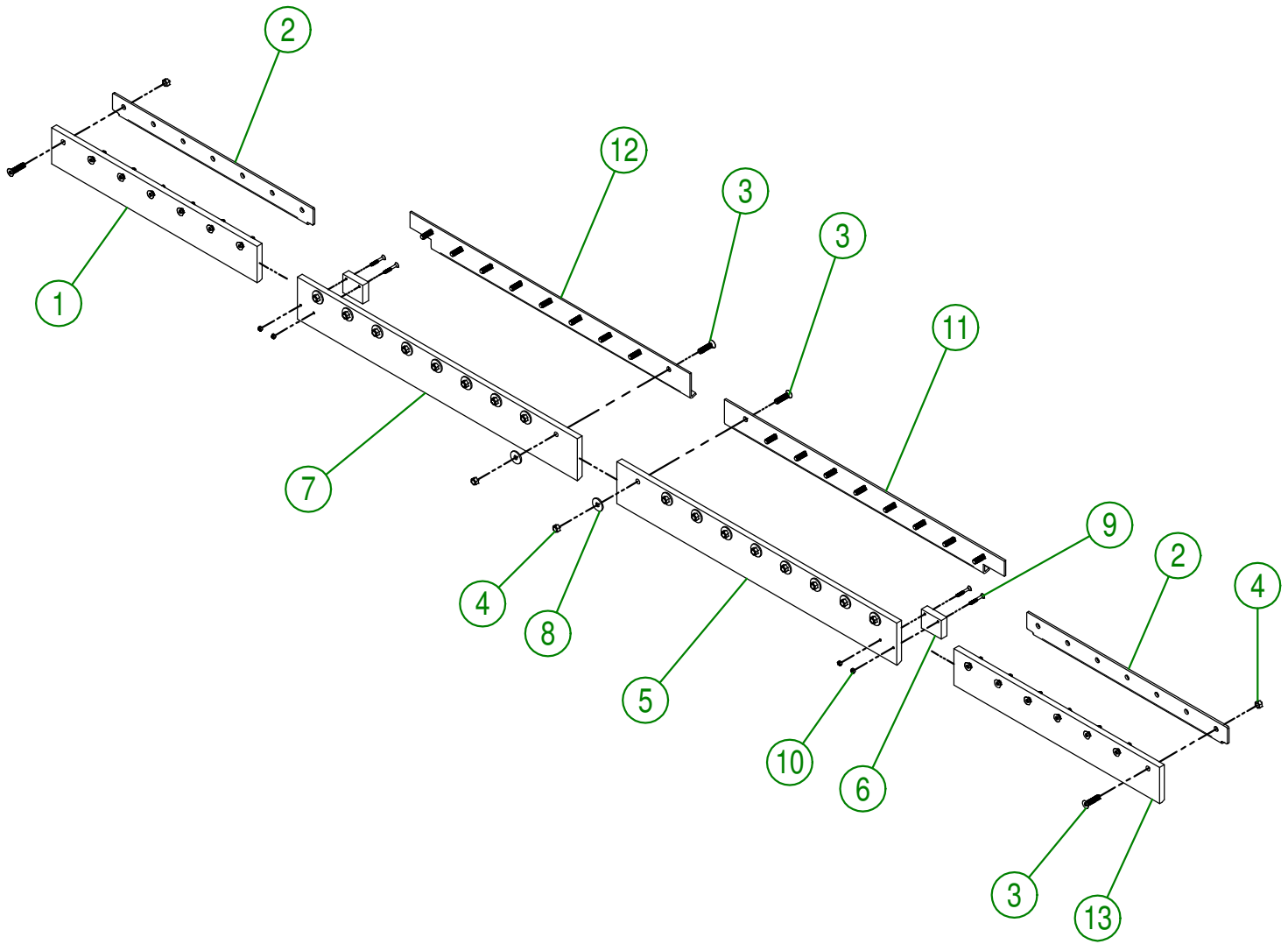
CREATION : 24/07/18
 REVISION : 15/02/19

ASSEMBLY : **92-57-0420**

AUTHOR : J.KABWE | Page 9 de 13

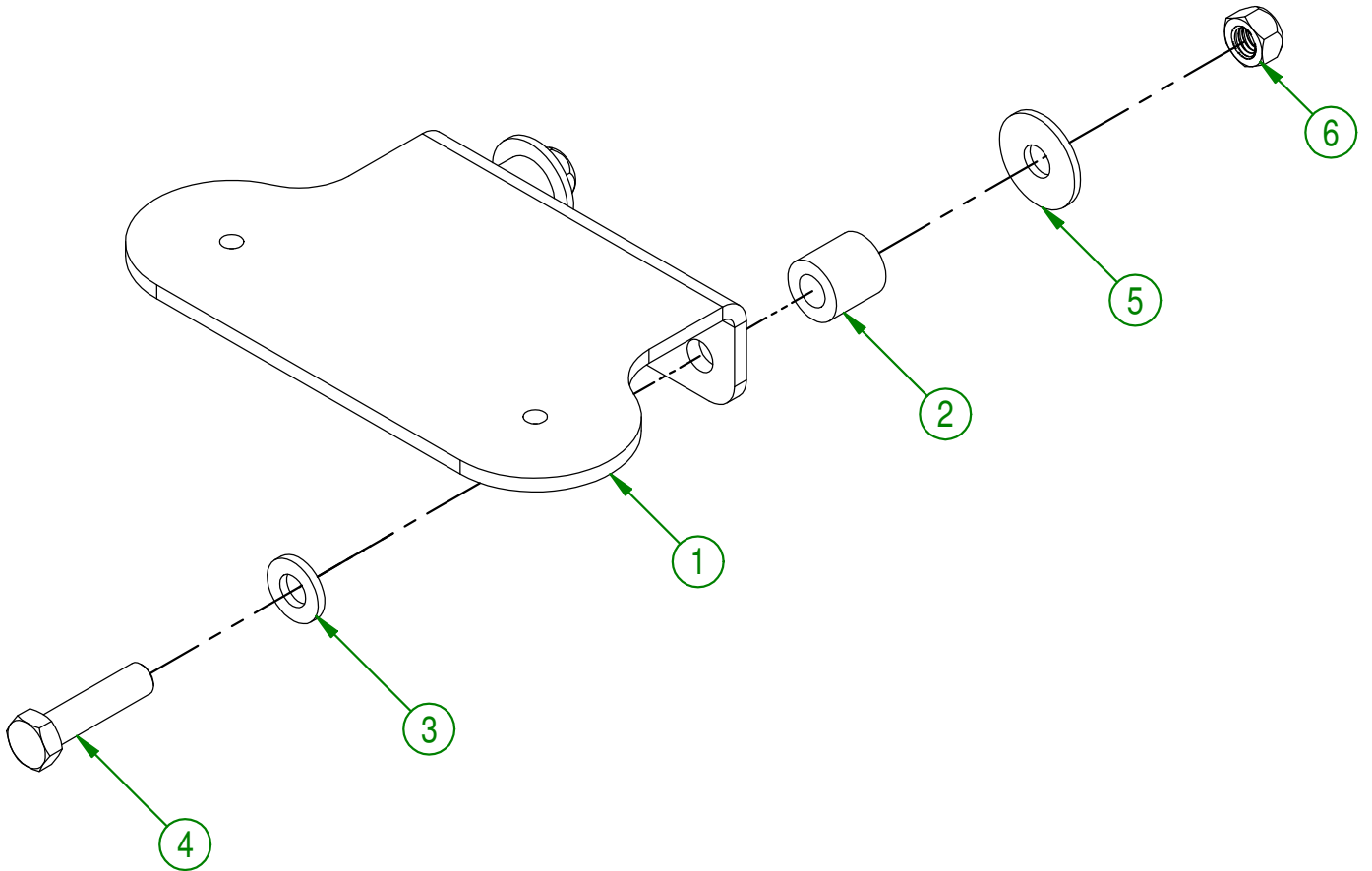
#	PART #	Qty	TITLE
1	NC13-45-0303	2	CYLINDER (CLEVIS) 3" DIA X 16" COURSE (UP-DOWN)
2	NC13-45-0240	1	HYDRAULIC CYLINDER 2" X 30" STROKE
3	NC13-45-0239	1	HYDRAULIC CYLINDER 2 1/2" X 30" STROKE
4	91-22-2200	8	FLAT WASHER HYDRAULIC CYLINDER
5	NC13-45-0254	4	90 DEG ELBOW 9/16"-18 MALE SAE6 O RING X 3/8" MALE JIC
6	NC17-02-0353	1	HYDRAULIC HOSE 3/8 X 39 3/4" 3/8 JIC 37 FEM X 3/8 JIC 37 FEM
7	NC13-45-0242	4	90 DEG ELBOW
8	NC17-02-0407	1	HYDRAULIC HOSE 3/8 X 126" CUT 3/8 JIC 37 FEM.X 3/8 JIC 37 FEM.
9	NC17-02-0407	1	HYDRAULIC HOSE 3/8 X 126" CUT 3/8 JIC 37 FEM.X 3/8 JIC 37 FEM.
10	NC13-45-0270	5	45 DEG ELBOW
11	NC17-02-0369	1	HYDRAULIC HOSE 3/8 X 82" 3/8 JIC 37FEM.X 3/8 JIC 37 FEM.
12	NC17-02-0369	1	HYDRAULIC HOSE 3/8 X 82" 3/8 JIC 37 FEM.X 3/8 JIC 37 FEM.
13	NC13-45-0289	2	T 3/8 MALE JIC X 3/8 MALE JIC X 3/8 MALE JIC
14	NC17-02-0378	1	HYDRAULIC HOSE 3/8 X 10 1/2" 3/8 JIC FEM.X 3/8 JIC FEM.
15	NC17-02-0378	1	HYDRAULIC HOSE 3/8 X 10 1/2" 3/8 JIC FEM.X 3/8 JIC FEM
16	NC17-02-0379	1	HYDRAULIC HOSE 3/8 X 14 7/8" 3/8 JIC FEM.X 3/8 JIC FEM.
17	NC13-45-0288	3	STRAIGHT FITTING 1/2" MALE JIC X 3/8" MALE NPT
18	NC13-45-0241	1	FLOW CONTROLE 3/8" NPT FEMALE
19	NC17-02-0381	1	HYDRAULIC HOSE 3/8 X 21 1/4" 3/8 JIC FEM.X 3/8 JIC FEM.
20	NC13-45-0246	1	HEX 1/2" MALE NPT X 3/8" MALE NPT
21	NC13-45-0247	1	STRAIGHT FITTING 1/2" MALE NPT X 3/8" MALE JIC
22	NC13-45-0014	4	QUICK COUPLER 1/2-14 NPTF

#	PART #	Qty	TITLE
1	91-42-0013	1	RUBBER KNIFE (OUTSIDE LEFT)
2	91-04-0246	2	KNIFE BRACE (OUTSIDE)
3	NC02-48-0548	32	FLAT HEAD SOCKET CAP SCREW STAINLESS 1/2-13 X 2"
4	NC01-96-0014	32	NYLON-INSERT LOCKNUT ZINC 1/2-13
5	91-42-0003	1	RUBBER KNIFE (INSIDE RIGHT)
6	91-42-0122	2	SNOW GUARD
7	91-42-0000	1	RUBBER KNIFE (INSIDE LEFT)
8	91-20-0150	18	WASHER
9	NC02-48-0582	4	FLAT HEAD SOCKET CAP SCREW STAINLESS 1/4-20 X 2"
10	NC01-96-0009	4	NYLON-INSERT LOCKNUT ZINC 1/4-20
11	91-04-0241	1	KNIFE BRACE (RIGHT)
12	91-04-0244	1	KNIFE BRACE (LEFT)
13	91-42-0010	1	RUBBER KNIFE (OUTSIDE RIGHT)



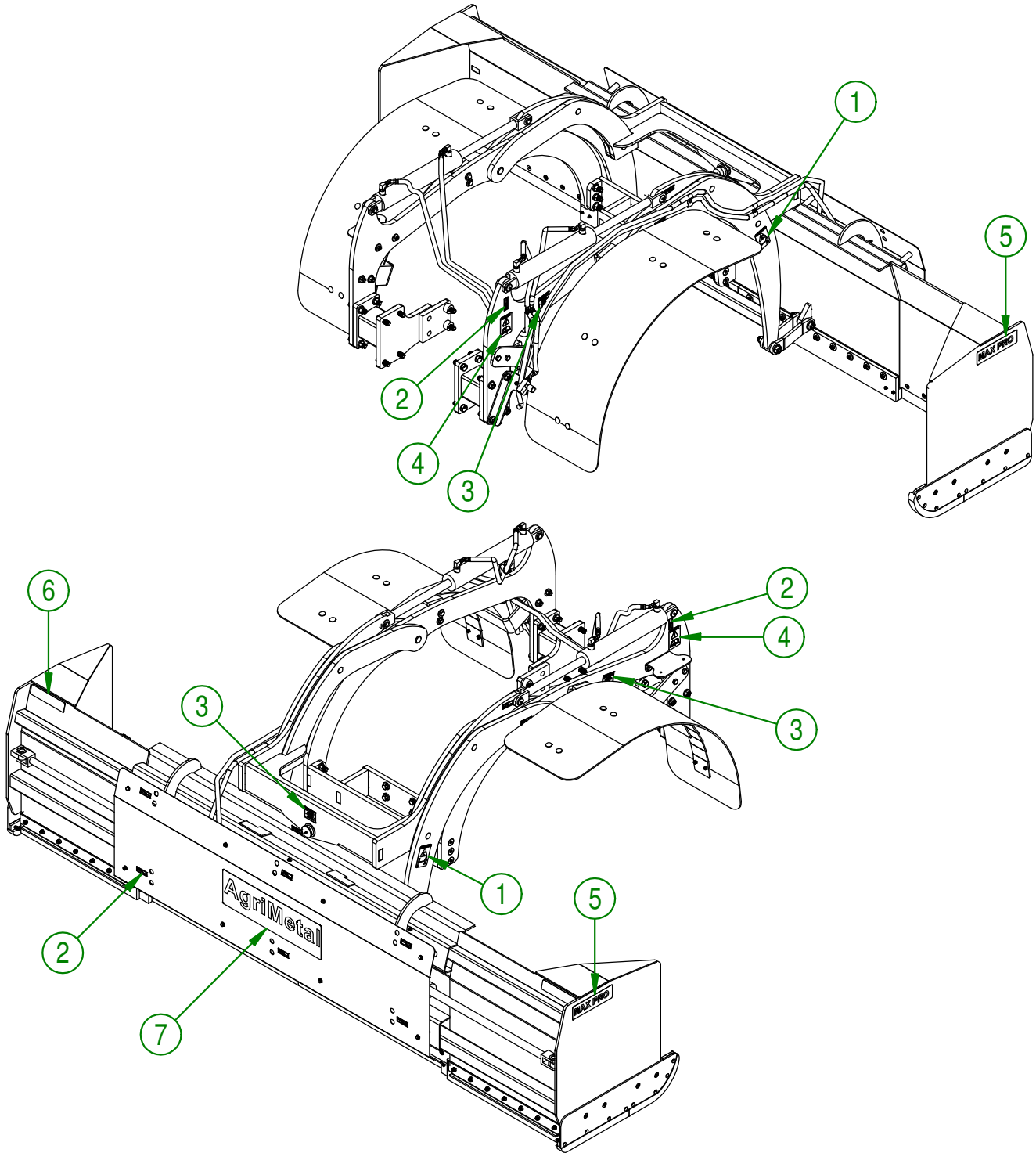
AGRIMETAL	
RUBBER KNIFE GROUP	
CREATION : 10/05/17	ASSEMBLY : 91-57-0195
REVISION : 24/07/18	AUTHOR : J. Houle Page 11 de 13

#	PART #	Qty	TITLE
1	92-04-0135	1	TOOL BOX SUPPORT
2	92-09-0010	2	BUSHING
3	01-01-0925	2	WASHER
4	NC01-17-0251	2	HEX. BOLT GR2 ZINC 1/2-13 X 2"
5	01-01-1660	2	WASHER SPACER
6	NC01-93-0014	2	LOCK NUT ZINC 1/2-13



AGRIMETAL	
TOOL BOX SUPPORT GROUP.	
CREATION : 24/07/18	ASSEMBLY : 92-57-0400
REVISION : 01/11/18	AUTHOR : J.KABWE Page 12 de 13

#	PART #	Qty	TITLE
1	NCI3-33-0268	2	STICKER WARNING
2	NCI3-33-0024	14	STICKER GREASE HERE
3	NCI3-33-0319	3	STICKER IMPORTANT GREASE EVERY 5 HOURS
4	NCI3-33-0183	2	STICKER CAUTION OPERATION MANUAL
5	NCI3-33-0265	2	STICKER MAX PRO
6	28-60-0050	2	STICKER SCOTCHLITE
7	NCI3-33-0318	1	STICKER AGRIMETAL INC (XL)



AGRIMETAL	
MAX PRO 7-12H (KUBOTA M5)	
CREATION : 24/07/18	ASSEMBLY : 92-99-3000
REVISION : 19/02/19	AUTHOR : J.KABWE Page 13 de 13