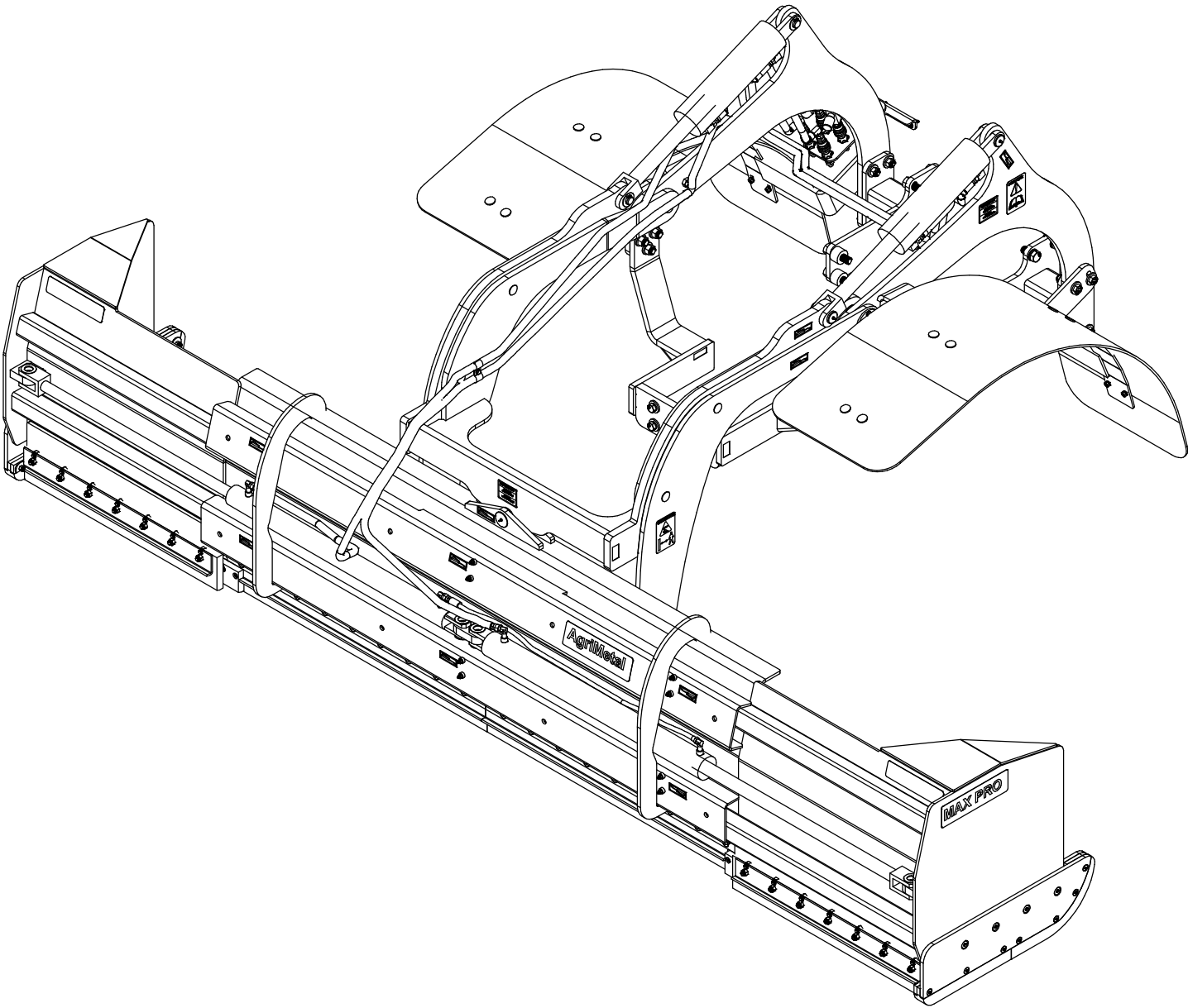


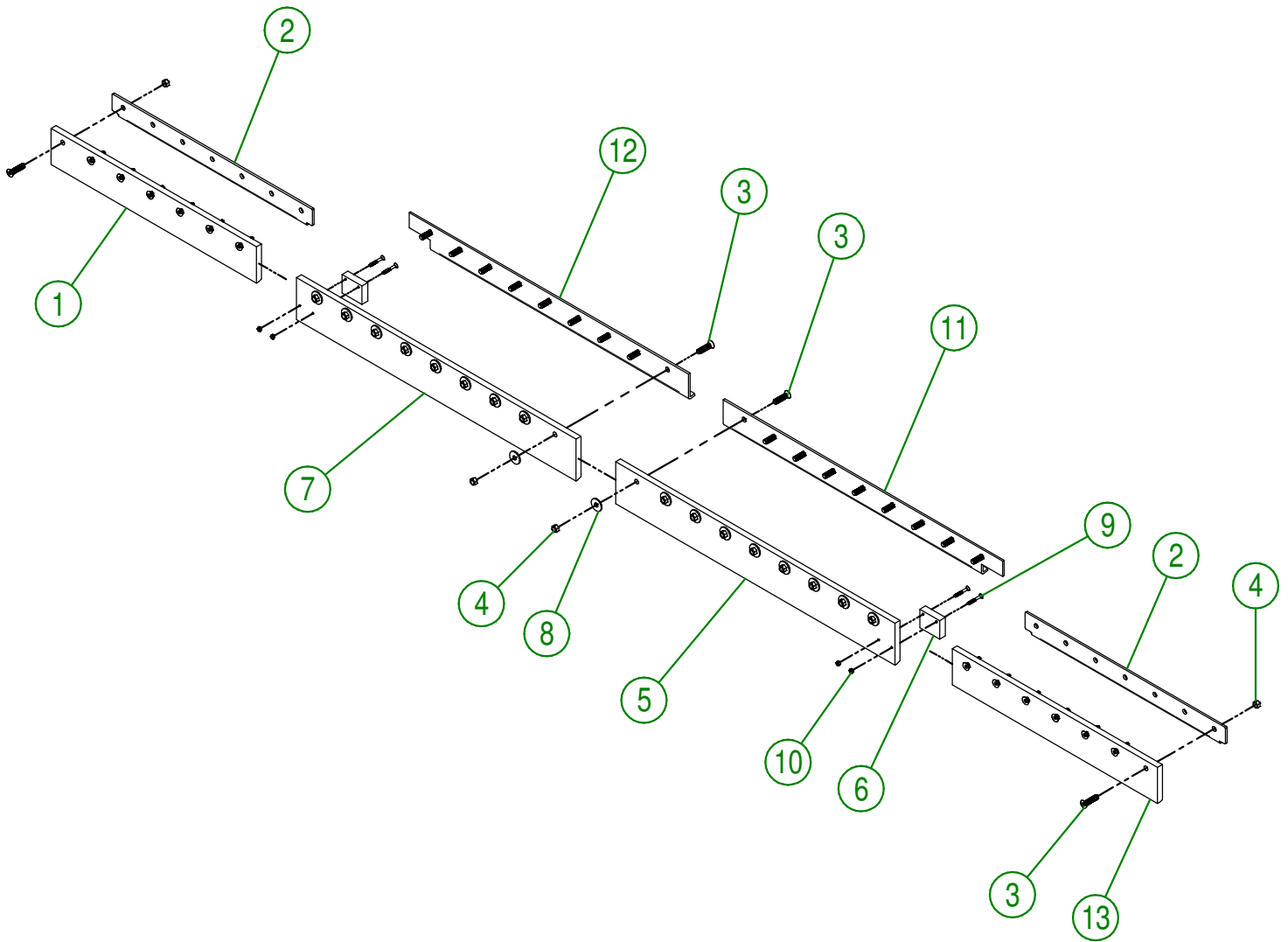
AgriMetal

PARTS LIST



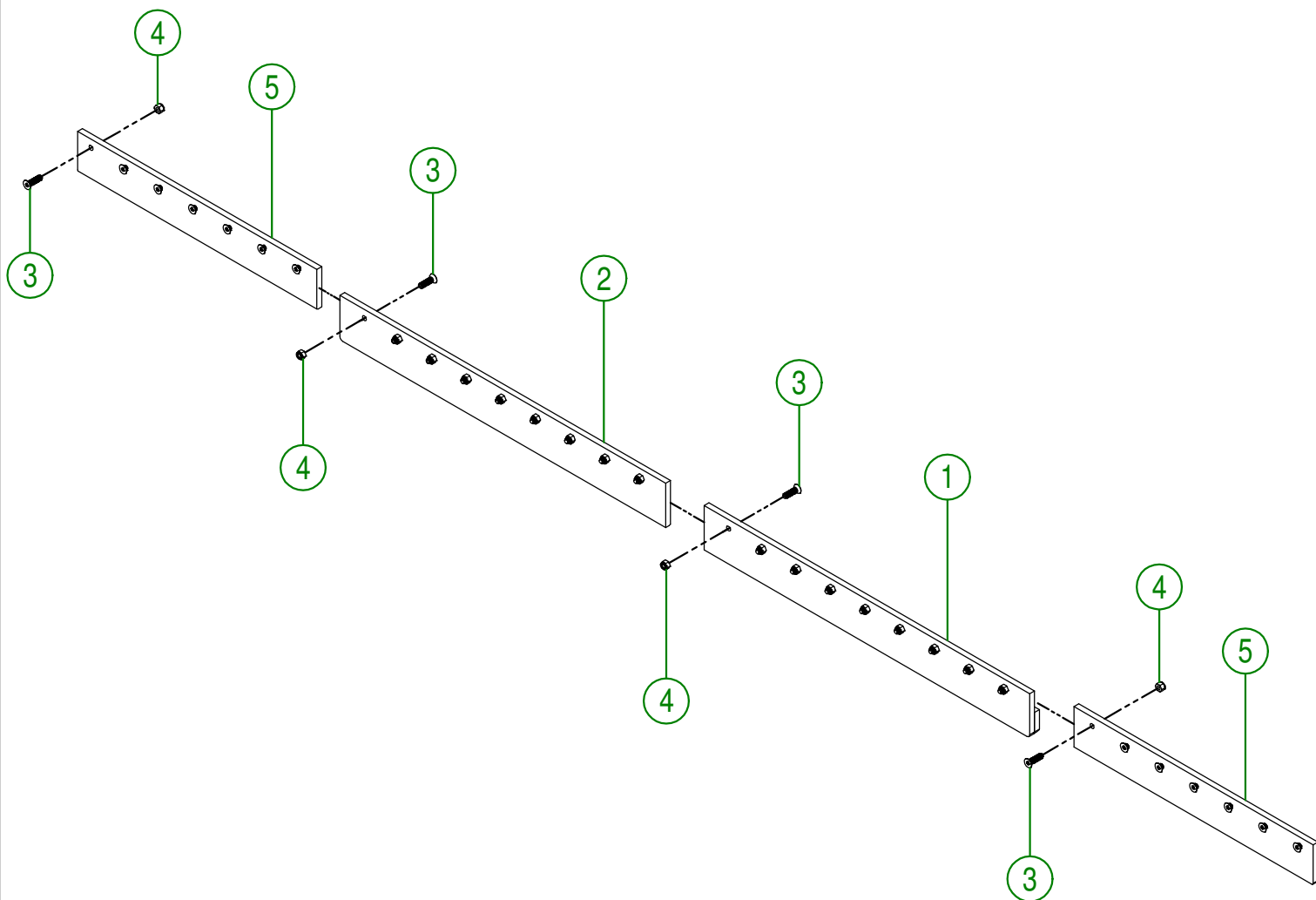
MAX PRO KUBOTA M7060 7-12

#	PART #	Qty	TITLE
1	91-42-0013	1	RUBBER KNIFE (OUTSIDE LEFT)
2	91-04-0246	2	KNIFE BRACE (OUTSIDE)
3	NC02-48-0548	32	FLAT HEAD SOCKET CAP SCREW STAINLESS 1/2-13 X 2"
4	NC01-96-0014	32	NYLON-INSERT LOCKNUT ZINC 1/2-13
5	91-42-0003	1	RUBBER KNIFE (INSIDE RIGHT)
6	91-42-0121	2	SNOW GUARD
7	91-42-0000	1	RUBBER KNIFE (INSIDE LEFT)
8	91-20-0150	18	WASHER
9	NC02-48-0582	4	FLAT HEAD SOCKET CAP SCREW STAINLESS 1/4-20 X 2"
10	NC01-96-0009	4	NYLON-INSERT LOCKNUT ZINC 1/4-20
11	91-04-0241	1	KNIFE BRACE (RIGHT)
12	91-04-0244	1	KNIFE BRACE (LEFT)
13	91-42-0010	1	RUBBER KNIFE (OUTSIDE RIGHT)



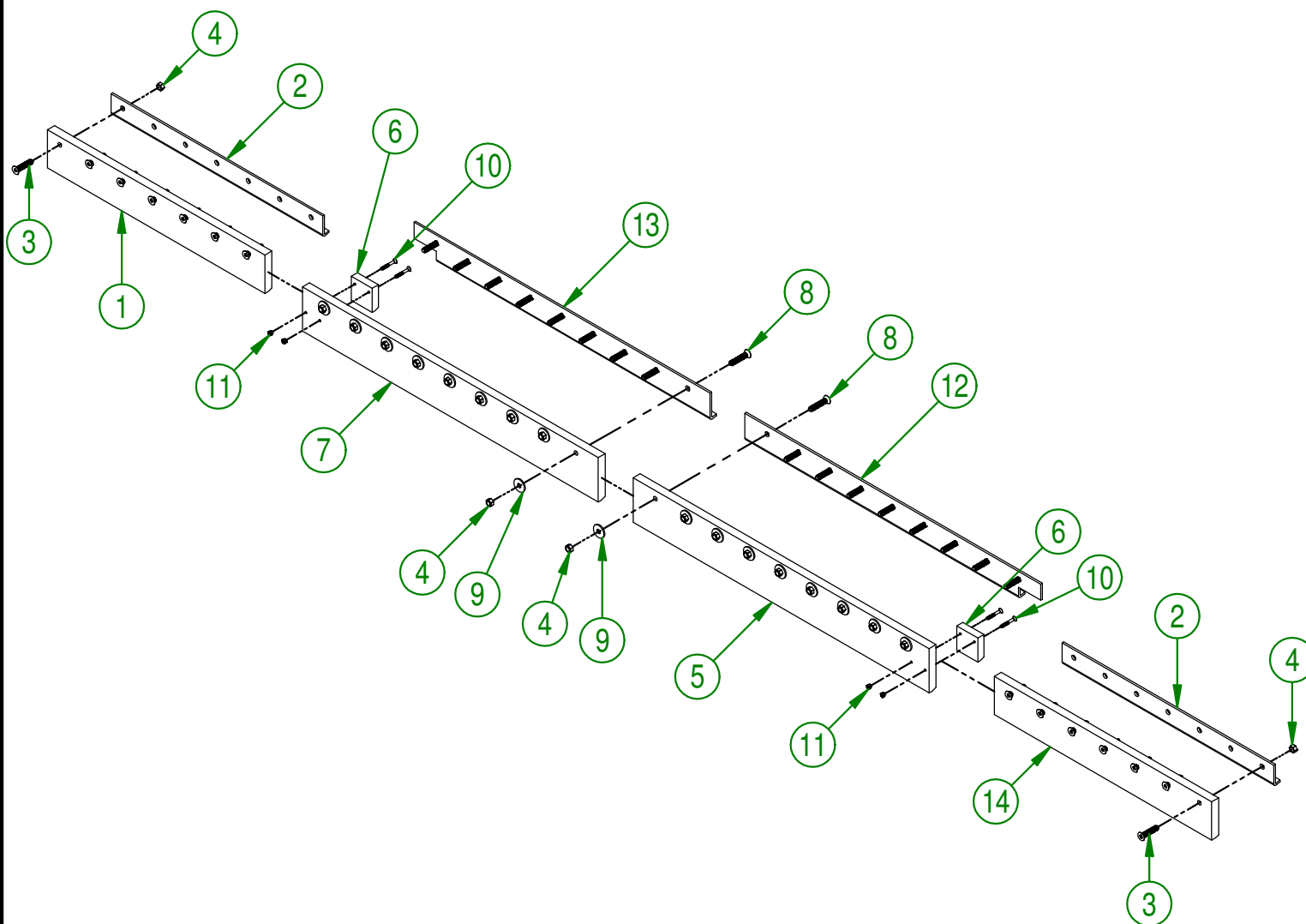
AGRIMETAL	
RUBBER KNIFE GROUP	
CREATION : 10/05/17	ASSEMBLY : 91-57-0195
REVISION : 05/02/21	AUTHOR : J. Houle

#	PART #	Qty	TITLE
1	91-50-0051	1	RIGHT CENTER KNIFE
2	91-50-0056	1	LEFT CENTER KNIFE
3	NC02-48-0547	32	FLAT HEAD SOCKET CAP SCREW STAINLESS 1/2-13 X 1 3/4
4	NC01-96-0014	32	NYLON INSERT LOCKNUT 1/2-13"
5	91-20-0387	2	RIGHT & LEFT KNIFE

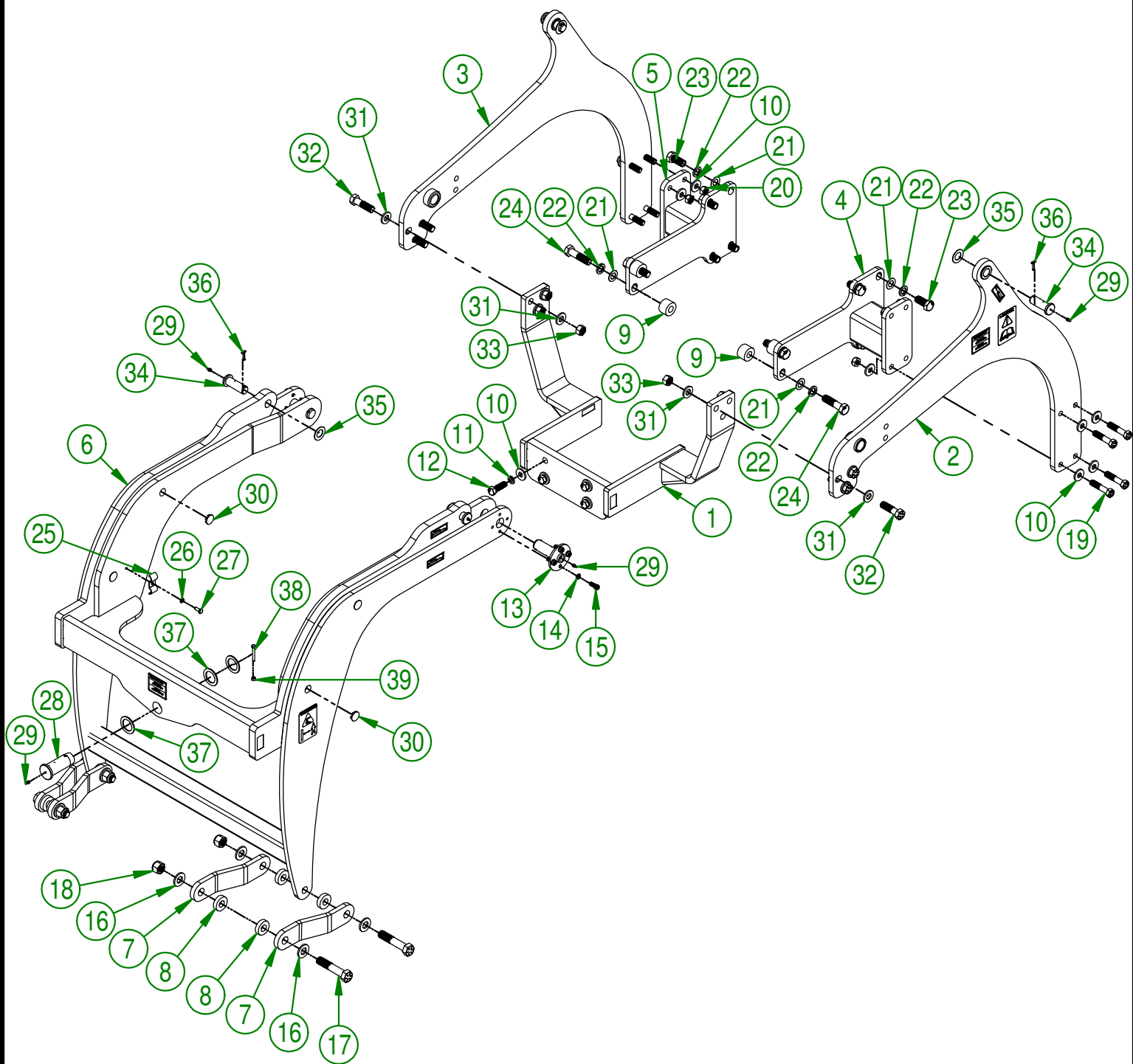


AGRIMETAL	
QT KNIFE GROUP	
CREATION : 29/12/17	ASSEMBLY : 91-57-0200
REVISION : 29/12/17	AUTHOR : Production Page 2 de 12

#	PART #	Qty	TITLE
1	91-42-0146	1	OUTSIDE KNIFE LEFT (UHMW)
2	91-04-0245	2	KNIFE BRACE
3	NC02-48-0549	14	STAINLESS FLAT HEAD SOCKET CAP SCREW 1/2-13 X 2 1/4"
4	NC01-96-0014	32	NYLON-INSERT LOCKNUT ZINC 1/2-13
5	91-42-0132	1	RIGHT CENTER KNIFE (UHMW)
6	91-42-0120	2	SNOW GUARD
7	91-42-0130	1	LEFT CENTER KNIFE (UHMW)
8	NC02-48-0550	18	FLAT HEAD SOCKET CAP SCREW STAINLESS 1/2-13 X 2 1/2"
9	91-20-0150	18	WASHER
10	NC02-48-0582	4	FLAT HEAD SOCKET CAP SCREW STAINLESS 1/4-20 X 2"
11	NC01-96-0009	4	NYLON-INSERT LOCKNUT ZINC 1/4-20
12	91-04-0241	1	KNIFE BRACE (RIGHT)
13	91-04-0244	1	KNIFE BRACE (LEFT)
14	91-42-0148	1	OUTSIDE KNIFE RIGHT (UHMW)



AGRIMETAL	
UHMW KNIFE GROUP	
CREATION : 15/07/16	ASSEMBLY : 91-57-0205
REVISION : 09/11/18	AUTHOR : JA. H Page 3 de 12



AGRIMETAL
SUBFRAME GROUP

CREATION : 07/12/17
 REVISION : 14/02/19

ASSEMBLY : **92-57-0355**

AUTHOR : J.KABWE

Page 4 de 12

#	PART #	Qty	TITLE
1	92-50-1020	1	FRAME SUPPORT
2	92-57-0350	1	FIXED SUBFRAME STICKER INCLUDED (LEFT)
3	92-57-0345	1	FIXED SUBFRAME STICKER INCLUDED (RIGHT)
4	92-50-1010	1	LEFT SUBFRAME
5	92-50-1012	1	RIGHT SUBFRAME
6	92-57-0340	1	SUBFRAME MOBILE STICKER INCLUDED
7	92-04-1465	4	BLADE CONNECTOR
8	NC13-15-0319	8	RUBBER WASHER
9	92-09-0510	4	SPACER
10	91-20-0155	20	FLAT WASHER
11	NC02-32-0016	4	LOCK WASHER ZINC 5/8"
12	NC01-50-0107	4	BOLT GR10.9 NF 16MM X 1.5 THREAD X 50MM LG
13	91-50-0030	2	SUBFRAME PIVOT
14	NC02-32-0012	8	LOCK WASHER ZINC 3/8"
15	NC01-37-0114	8	BOLT GR8 3/8" X 1"
16	09-04-0050	8	PNO 3/16" X 1 49/64" DIA. X Ø 7/8" FLAT WASHER
17	NC01-33-0506	4	CAP SCREW GR8 NC ZINC 7/8-9 X 4 1/2" LG
18	NC01-96-0018	4	NYLON INSERT NUT 7/8-9
19	NC01-33-0400	8	CAP SCREW GR8 NC ZINC 5/8-11 X 3" LG
20	NC01-93-0016	8	LOCK NUT ZINC 5/8-11
21	NC02-22-0008	12	WASHER METRIC ZINC 20MM 3MM
22	NC02-32-1015	12	LOCK WASHER STAINLESS M16
23	NC01-50-0155	8	BOLT METR.GR.10.9 NC 20MM X 1.5THREAD X 45MM
24	NC01-50-0162	4	BOLT METR.GR.10.9 NC 20MM X 1.5THREAD X 80MM
25	91-01-0020	1	HYDRAULIC HOSE PROTECTOR
26	NC02-32-0011	1	LOCK WASHER ZINC 5/16"
27	NC01-17-0058	1	HEX. BOLT GR2 ZINC 5/16-18 X 3/4"
28	91-13-2800	1	CENTER PIVOT SHAFT
29	NC01-69-0785	7	STRAIGHT GREASE FITTING 1/4-28
30	NC13-80-0273	8	BLACK CAP 1" DIA
31	22-04-6805	12	FLAT WASHER BEARING BASE
32	NC01-37-0450	6	HEX. BOLT GR8 ZINC 3/4-16 X 2 3/4
33	NC01-94-0016	6	HEX. LOCKNUT STEEL NF Z 3/4-16
34	91-20-0211	4	CYLINDER PIVOT
35	91-22-2200	4	FLAT WASHER HYDRAULIC CYLINDER
36	NC01-69-0159	4	COTTER PIN ZINC 3/16 X 1 1/2"
37	92-01-0005	3	WASHER 2 1/4" DIA. X 1 9/16"
38	NC01-17-0010	1	HEX. BOLT GR2 NC ZINC 1/4-20 X 2"
39	NC01-93-0001	1	HEX. NUT NC ZINC 1/4-20

AGRIMETAL
SUBFRAME GROUP

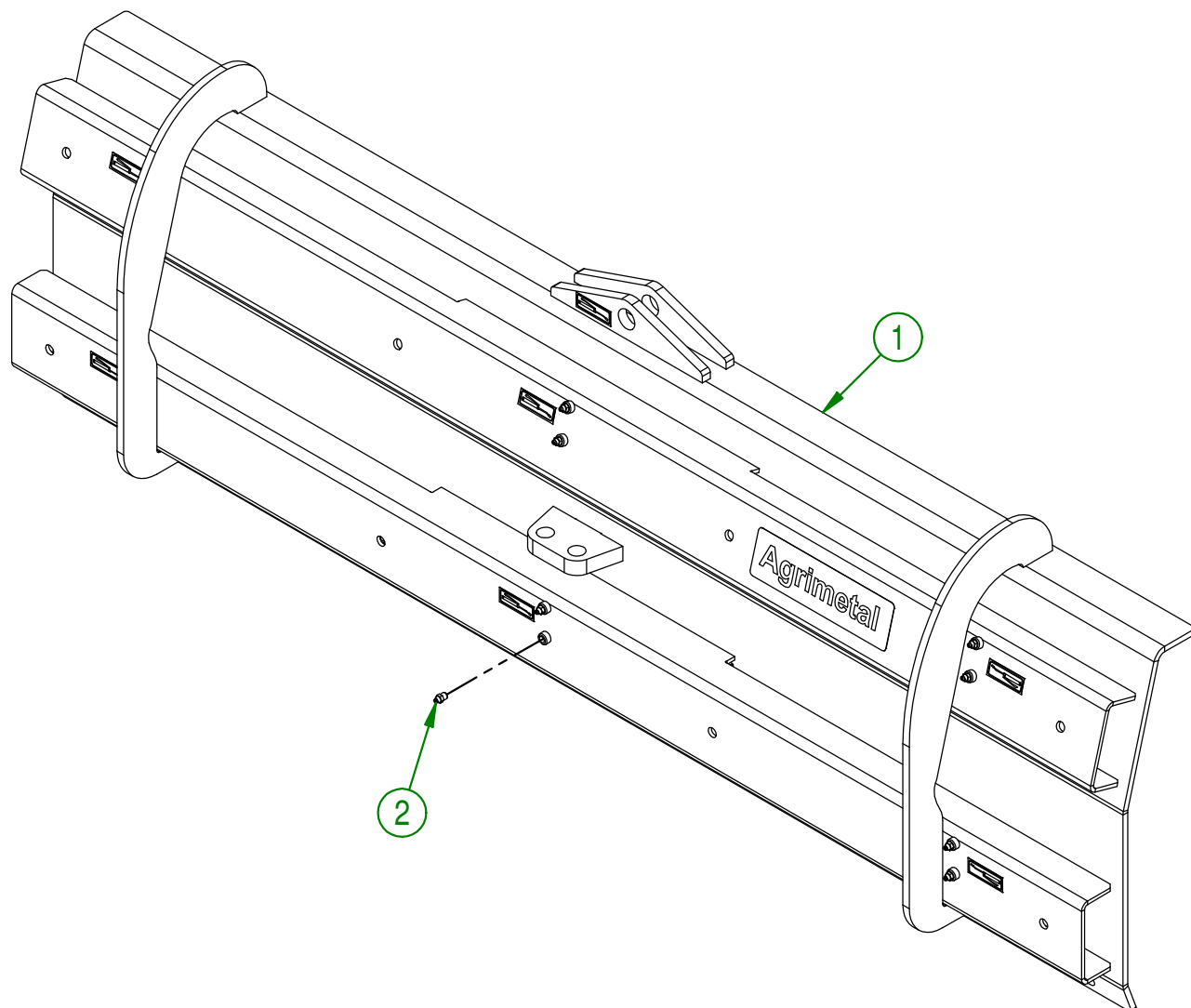
CREATION : 07/12/17
REVISION : 14/02/19

ASSEMBLY : **92-57-0355**

AUTHOR : J.KABWE

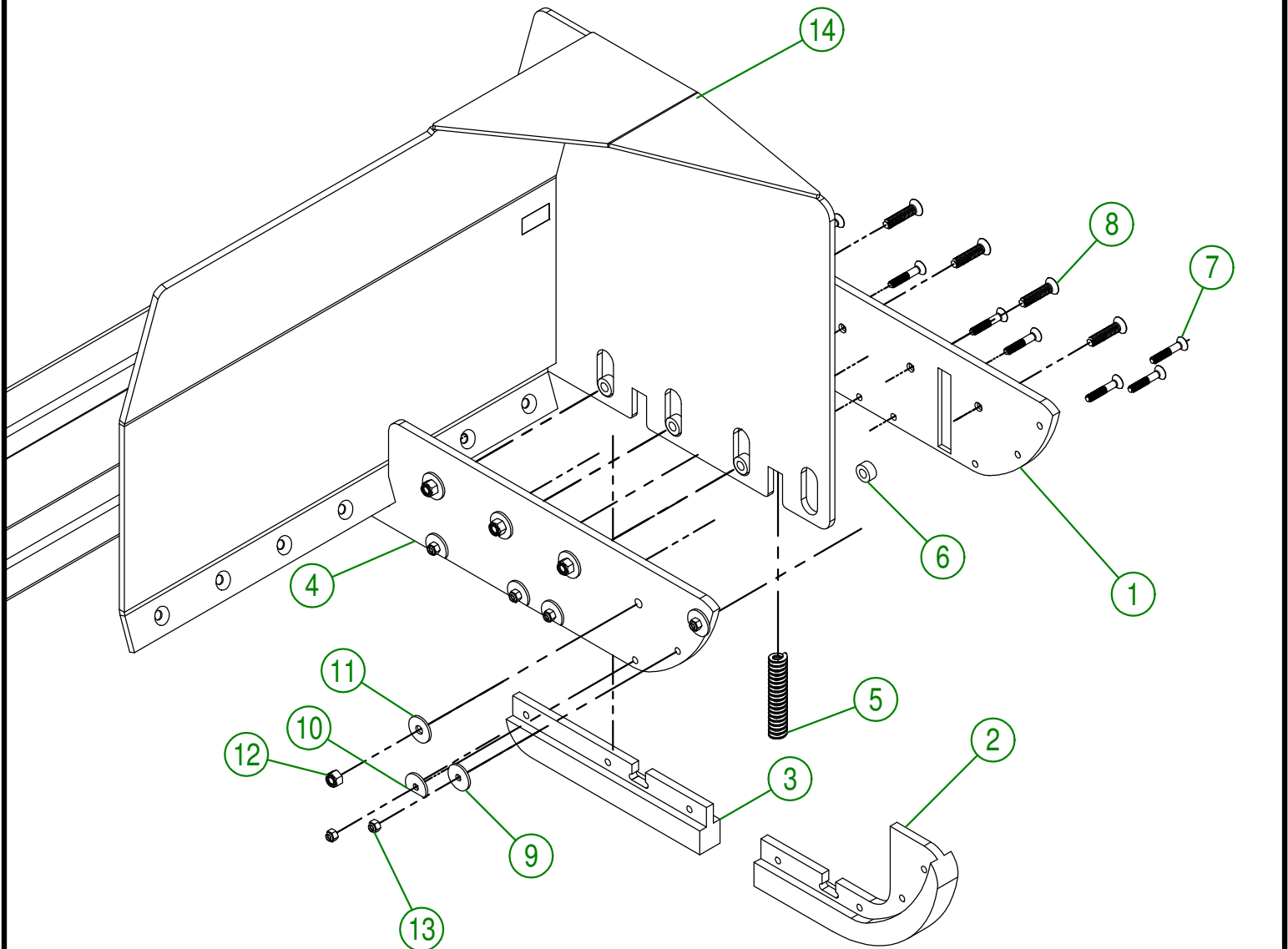
Page 5 de 12

#	PART #	Qty	TITLE
1	91-57-0130	1	CENTER BLADE KNIFE GROUP. MAX PRO 7-12 STICKER INCLUDED
2	NC01-69-0791	12	GREASE FITTING 1/8 NPT STRAIGHT



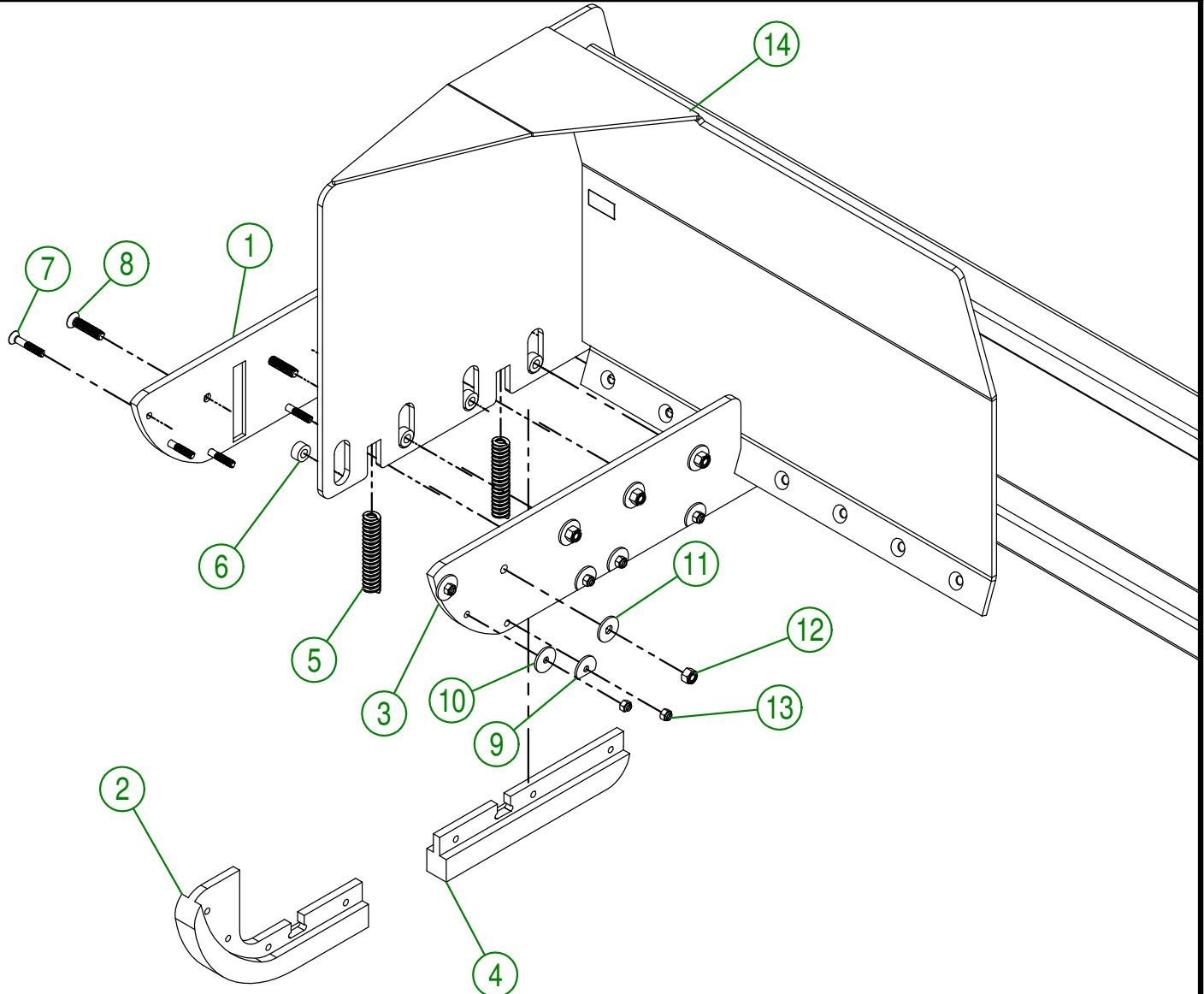
AGRIMETAL	
CENTRAL BLADE	
CREATION : 29/12/17	ASSEMBLY : 91-57-0040
REVISION : 16/07/18	AUTHOR : J.KABWE Page 6 de 12

#	PART #	Qty	TITLE
1	91-42-0144	1	FLOATING SKATE (RIGHT OUTSIDE)
2	NC13-15-0325	1	FLOATING SKATE (MIDDLE FRONT)
3	NC13-15-0323	1	FLOATING SKATE (MIDDLE BACK)
4	91-42-0142	1	FLOATING SKATE (RIGHT INSIDE)
5	NC13-86-0052	2	SPRING 1/2" ID X 1" OD X 5" LG
6	91-09-0000	4	BUSHING
7	NC02-48-0537	7	STAINLESS FLAT HEAD SOCKET CAP SCREW 3/8-16 X 2 1/4"
8	NC02-48-0549	4	STAINLESS FLAT HEAD SOCKET CAP SCREW 1/2-13 X 2 1/4"
9	91-20-0163	2	WASHER
10	91-20-0160	5	WASHER
11	91-20-0150	4	WASHER
12	NC01-96-0014	4	NYLON INSERT LOCKNUT 1/2-13"
13	NC01-96-0011	7	NYLON NUT 3/8-16
14	91-57-0140	1	RIGHT BLADE



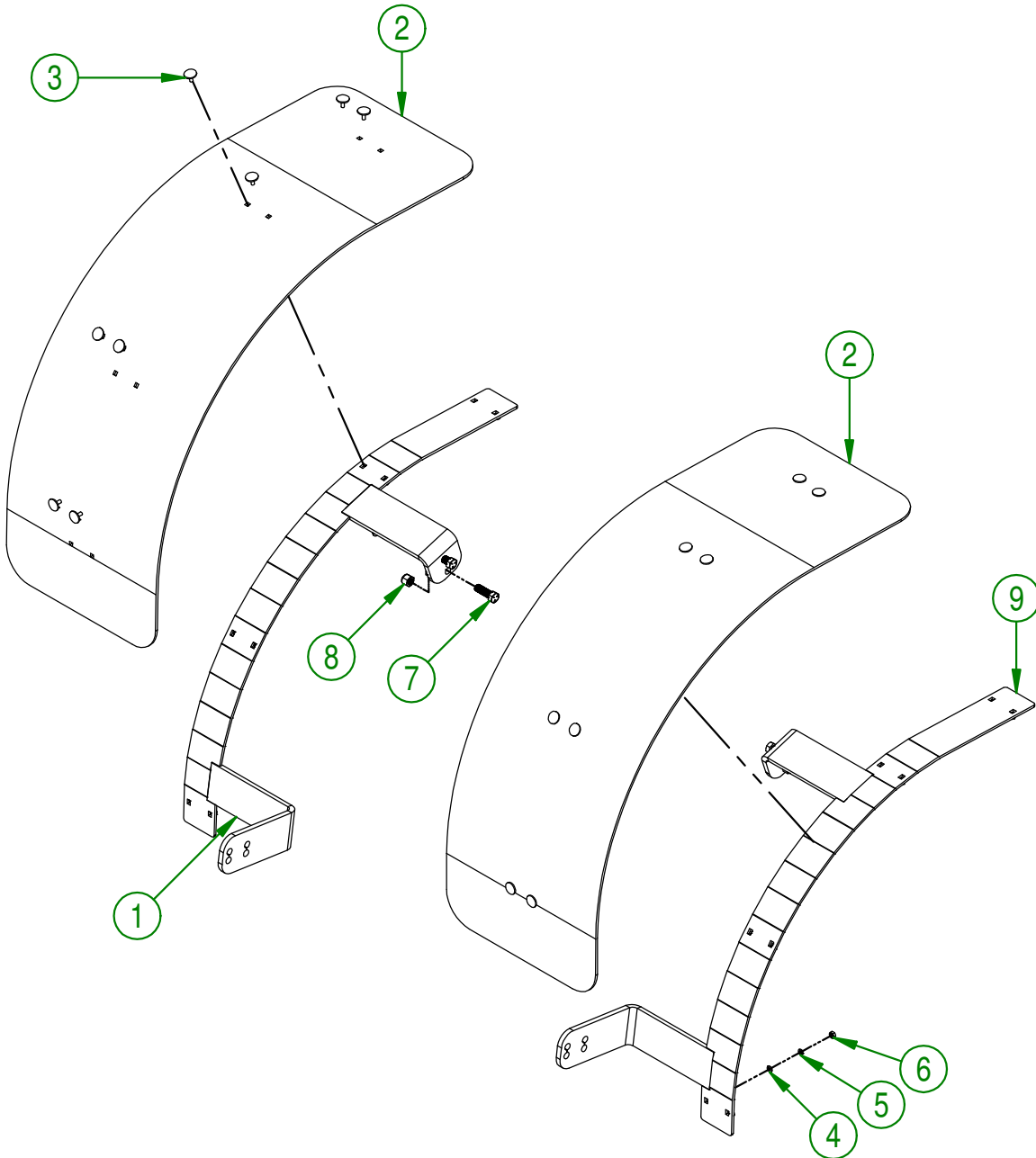
AGRIMETAL	
RIGHT BLADE	
CREATION : 15/07/16	ASSEMBLY : 91-57-0045
REVISION : 15/11/18	AUTHOR : JA. H Page 7 de 12

#	PART #	Qty	TITLE
1	91-42-0140	1	FLOATING SKATE (LEFT EXT.)
2	NC13-15-0325	1	FLOATING SKATE (MIDDLE FRONT)
3	91-42-0136	1	FLOATING SKATE (LEFT INT.)
4	NC13-15-0323	1	FLOATING SKATE (MIDDLE BACK)
5	NC13-86-0052	2	SPRING 1/2" ID X 1" OD X 5" LG
6	91-09-0000	4	BUSHING
7	NC02-48-0537	7	STAINLESS FLAT HEAD SOCKET CAP SCREW 3/8-16 X 2 1/4"
8	NC02-48-0549	4	STAINLESS FLAT HEAD SOCKET CAP SCREW 1/2-13 X 2 1/4"
9	91-20-0160	5	WASHER
10	91-20-0163	2	WASHER
11	91-20-0150	4	WASHER
12	NC01-96-0014	4	NYLON INSERT LOCKNUT 1/2-13"
13	NC01-96-0011	7	NYLON NUT 3/8-16
14	91-57-0135	1	LEFT BLADE

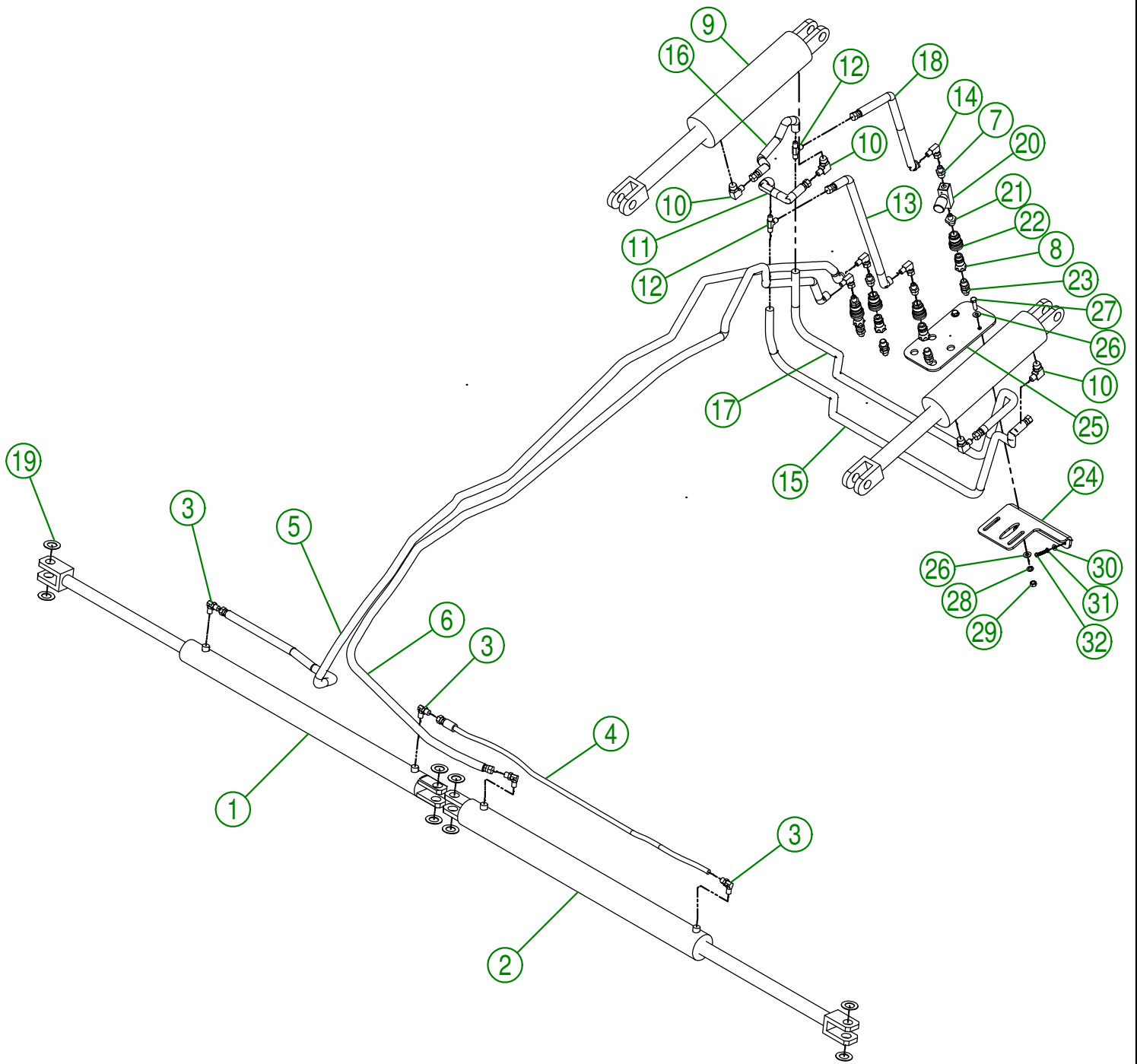


AGRIMETAL	
LEFT BLADE	
CREATION : 15/07/16	ASSEMBLY : 91-57-0050
REVISION : 15/11/18	AUTHOR : JA. H Page 8 de 12

#	PART #	Qty	TITLE
1	92-50-1060	1	MUD SUPPORT (LEFT)
2	92-42-0105	2	GUARD
3	NC01-13-0062	16	ELEVATOR STAINLESS BOLT 5/16-18 X 1"
4	NC02-22-0008	16	WASHER ZINC 5/16"
5	NC02-32-0011	16	LOCK WASHER ZINC 5/16"
6	NC02-07-0017	16	HEX. NUT 5/16-18
7	NC01-29-0396	4	HEX. BOLT GR5 NF 5/8-18 X 2
8	NC01-97-0010	4	HEX LOCKNUT NYLON NF ZINC 5/8-18
9	92-50-1063	1	MUD SUPPORT (RIGHT)



AGRIMETAL	
MUD GUARD GROUP.	
CREATION : 22/01/18	ASSEMBLY : 92-57-0360
REVISION : 27/12/18	AUTHOR : J.KABWE Page 9 de 12



AGRIMETAL
HYDRAULIC GROUP

CREATION : 22/01/18
 REVISION : 15/10/19

ASSEMBLY : **92-57-0365**

AUTHOR : J.KABWE | Page 10 de 12

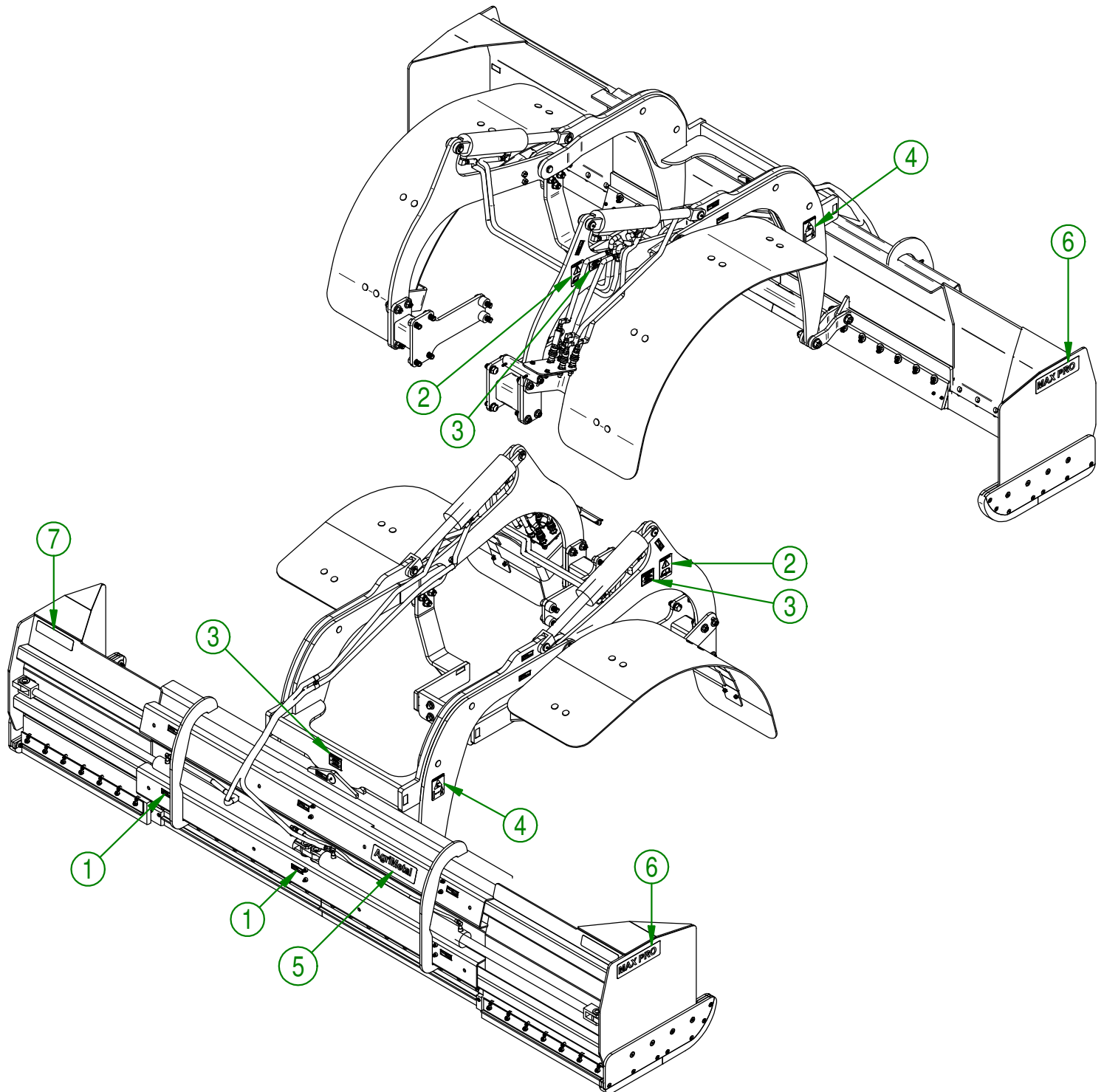
#	PART #	Qty	TITLE
1	NC13-45-0240	1	HYDRAULIC CYLINDER 2" X 30" STROKE
2	NC13-45-0239	1	HYDRAULIC CYLINDER 2 1/2" X 30" STROKE
3	NC13-45-0254	4	90 DEG ELBOW 9/16"-18 MALE SAE6 O RING X 3/8" MALE JIC
4	NC17-02-0353	1	HYDRAULIC HOSE 39 3/4"
5	NC17-02-0401	1	HYDRAULIC HOSE 111"
6	NC17-02-0401	1	HYDRAULIC HOSE 111"
7	NC13-45-0288	4	STRAIGHT FITTING 1/2" MALE JIC X 3/8" MALE NPT
8	NC13-45-0285	4	QUICK COUPLER 3/8 NPTF
9	NC13-45-0267	2	HYDRAULIC CYLINDER 3 1/2" X 10" STROKE
10	NC13-45-0242	4	90 DEG ELBOW
11	NC17-02-0423	1	HYDRAULIC HOSE 10 1/2"
12	NC13-45-0289	2	T 3/8 MALE JIC X 3/8 MALE JIC X 3/8 MALE JIC
13	NC17-02-0379	1	HYDRAULIC HOSE 14 7/8"
14	NC13-45-0173	4	90 DEG ELBOW
15	NC17-02-0356	1	HYDRAULIC HOSE 76 1/2"
16	NC17-02-0423	1	HYDRAULIC HOSE 10 1/2"
17	NC17-02-0356	1	HYDRAULIC HOSE 83 1/2"
18	NC17-02-0379	1	HYDRAULIC HOSE 14 7/8"
19	91-22-2200	8	FLAT WASHER HYDRAULIC CYLINDER
20	NC13-45-0241	1	FLOW CONTROLE 3/8" NPT FEMALE
21	NC13-45-0068	1	STRAIGHT FITTING 3/8" MALE NPT X 3/8" MALE NPT
22	NC13-45-0295	4	QUICK COUPLING FEMALE X FEMALE NPTF 3/8-18
23	NC13-45-0302	4	STRAIGHT FITTING 1/2" MALE JIC X 3/8" MALE NPT WITH NUT
24	92-04-0140	1	HOSE SUPPORT
25	92-04-0145	1	HOSE SUPPORT
26	01-01-2485	4	FLAT WASHER 14 GA X 13/16"OD X 25/64" ID
27	NC01-17-0115	2	HEX. BOLT GR2 ZINC 3/8-16 X 1 1/4"
28	NC02-32-0012	2	LOCK WASHER ZINC 3/8"
29	NC02-07-0018	2	HEX. NUT ZINC 3/8-16
30	NC02-25-0007	2	WASHER ZINC 0.281 = 9/32
31	NC02-32-0010	2	LOCK WASHER ZINC 1/4"
32	NC01-45-0117	2	BOLT METR. GR8.8 NC ZINC 6MM I THREAD X 30MM

AGRIMETAL
HYDRAULIC GROUP

CREATION : 22/01/18
REVISION : 15/10/19

ASSEMBLY : **92-57-0365**
AUTHOR : J.KABWE Page 11 de 12

#	PART #	Qty	TITLE
1	NCI3-33-0024	14	STICKER GREASE HERE
2	NCI3-33-0183	2	STICKER CAUTION OPERATION MANUAL
3	NCI3-33-0319	3	STICKER IMPORTANT GREASE EVERY 5 HOURS
4	NCI3-33-0268	2	STICKER WARNING
5	NCI3-33-0035	1	STICKER AGRIMETAL
6	NCI3-33-0265	2	STICKER MAX PRO
7	28-60-0050	2	STICKER SCOTCHLITE



AGRIMETAL	
MAX PRO KUBOTA M7060	
CREATION : 22/01/18	ASSEMBLY : 92-99-1500
REVISION : 15/02/19	AUTHOR : J.KABWE Page 12 de 12