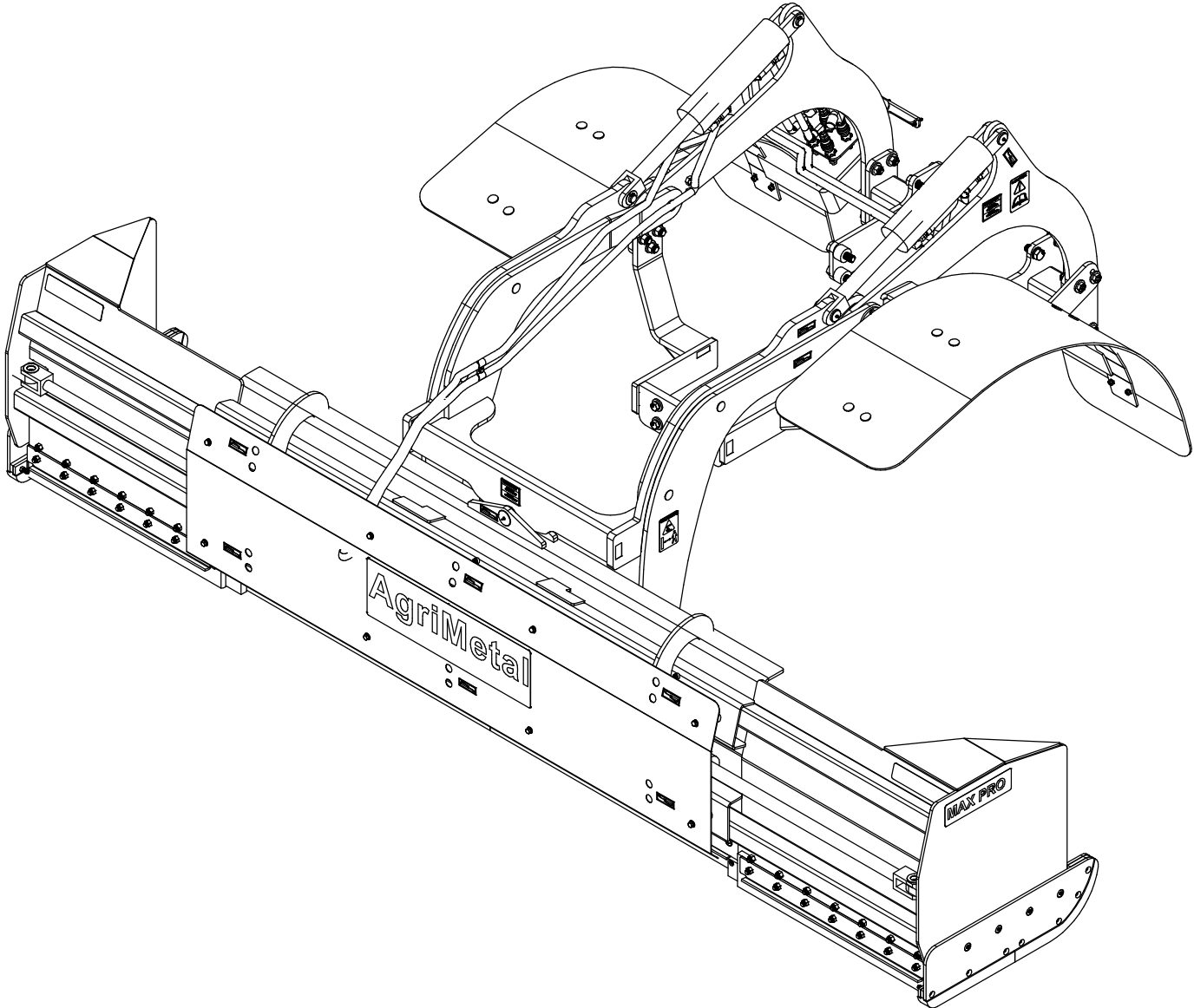


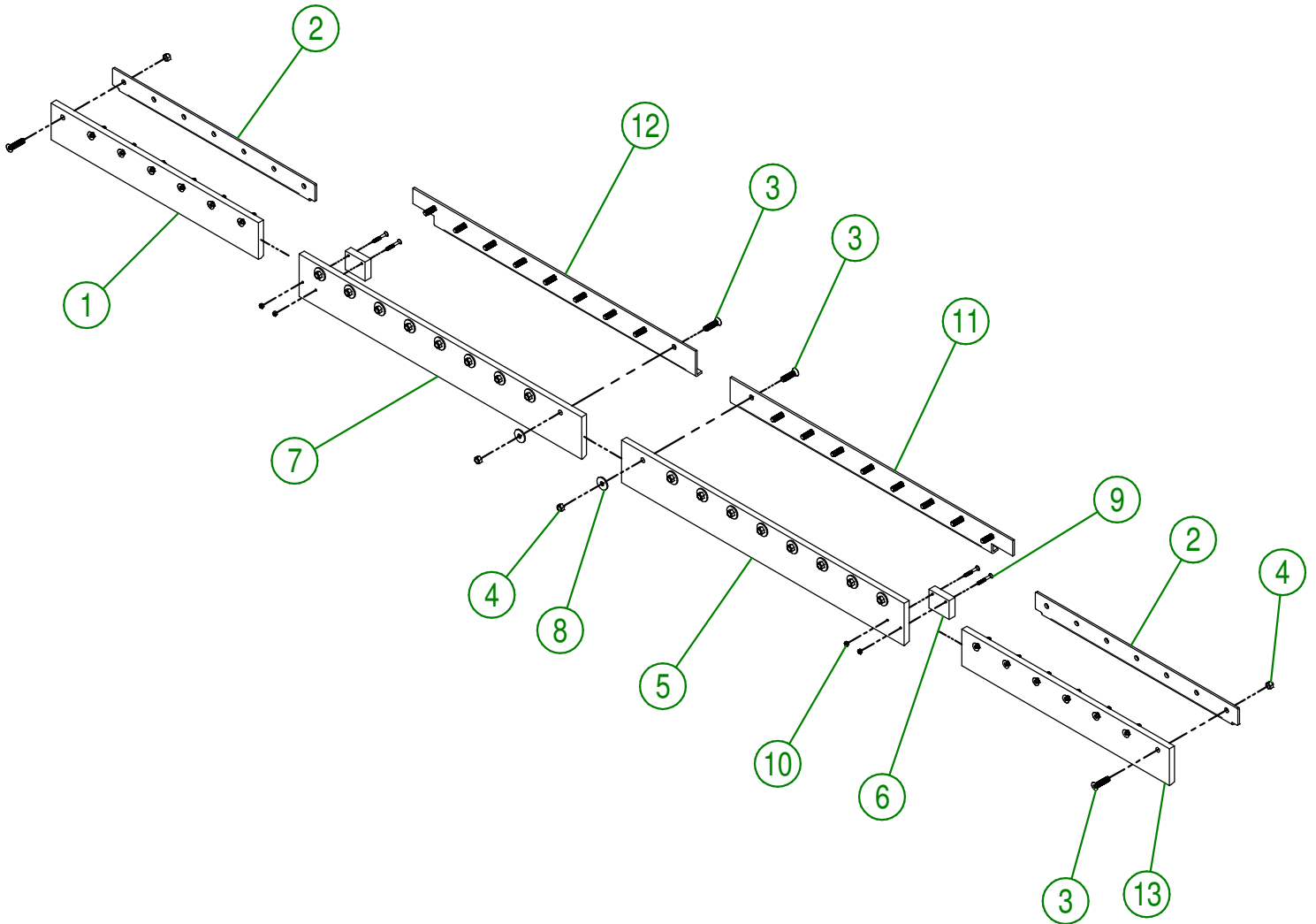
# AgriMetal

## PARTS LIST



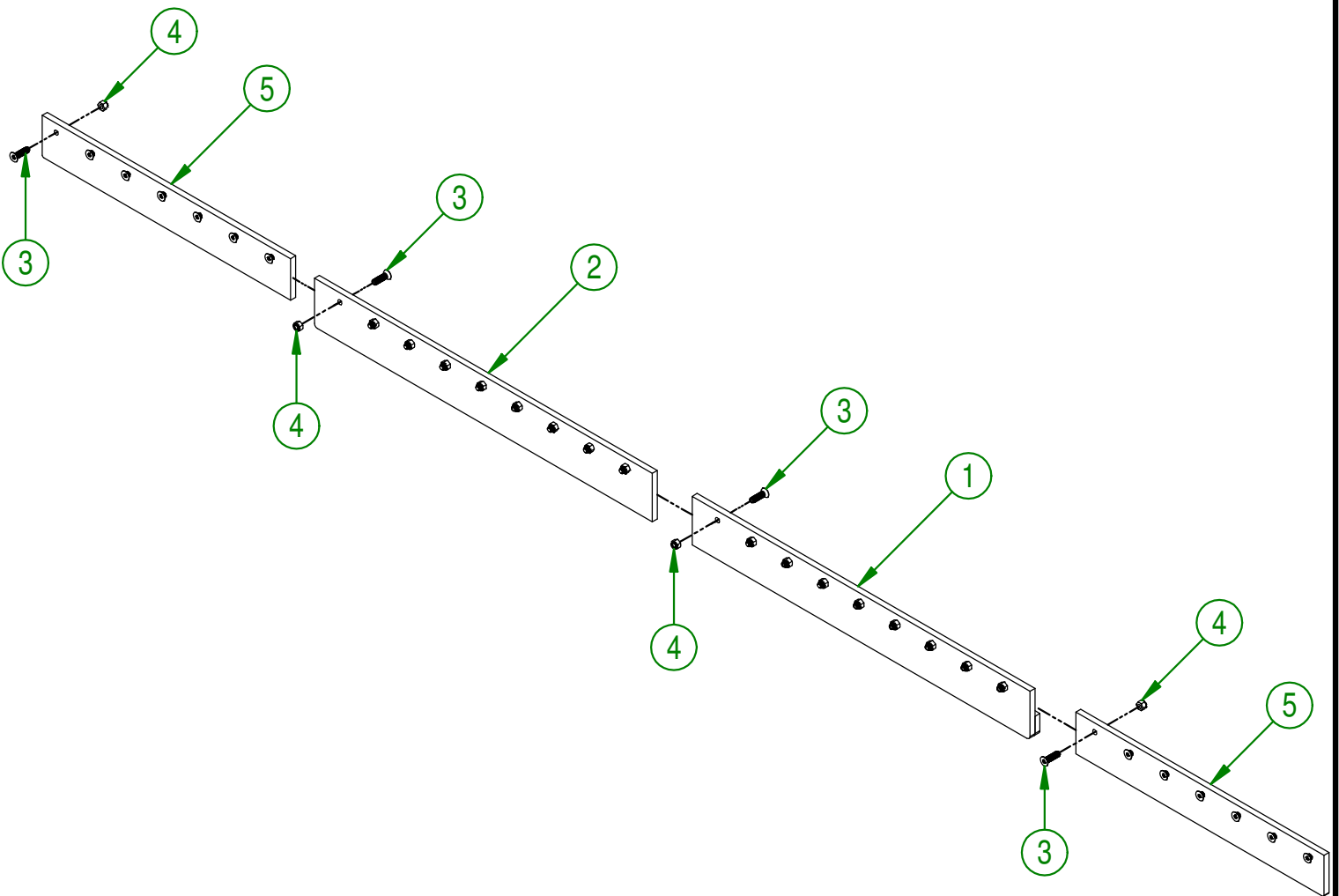
**MAX-PRO KUBOTA M7060 7-12B**

#	# DE PIÈCE	QTÉ	TITRE
1	91-42-0013	1	COUTEAU CAOUTCHOUC EXTÉRIEUR GAUCHE
2	91-04-0246	2	RENFORT DE COUTEAU (EXTÉRIEUR)
3	NC02-48-0548	32	VIS PRESSION 6 PANS T.FRA STAINLESS 1/2-13 X 2"
4	NC01-96-0014	32	ÉCROU HEX. BLOC. NYLON NC ZINC 1/2-13
5	91-42-0003	1	COUTEAU CAOUTCHOUC INTÉRIEUR DROIT
6	91-42-0121	2	PATIN BLOQUE NEIGE
7	91-42-0000	1	COUTEAU CAOUTCHOUC INTÉRIEUR GAUCHE
8	91-20-0150	18	RONDELLE PLATE DE COUTEAU
9	NC02-48-0582	4	VIS PRESSION 6 PANS T.FRA STAINLESS 1/4-20 X 2"
10	NC01-96-0009	4	ÉCROU HEX. BLOC NYLON NC Z 1/4-20
11	91-04-0241	1	RENFORT DE COUTEAU (DROIT)
12	91-04-0244	1	RENFORT DE COUTEAU (GAUCHE)
13	91-42-0010	1	COUTEAU CAOUTCHOUC EXTÉRIEUR DROIT

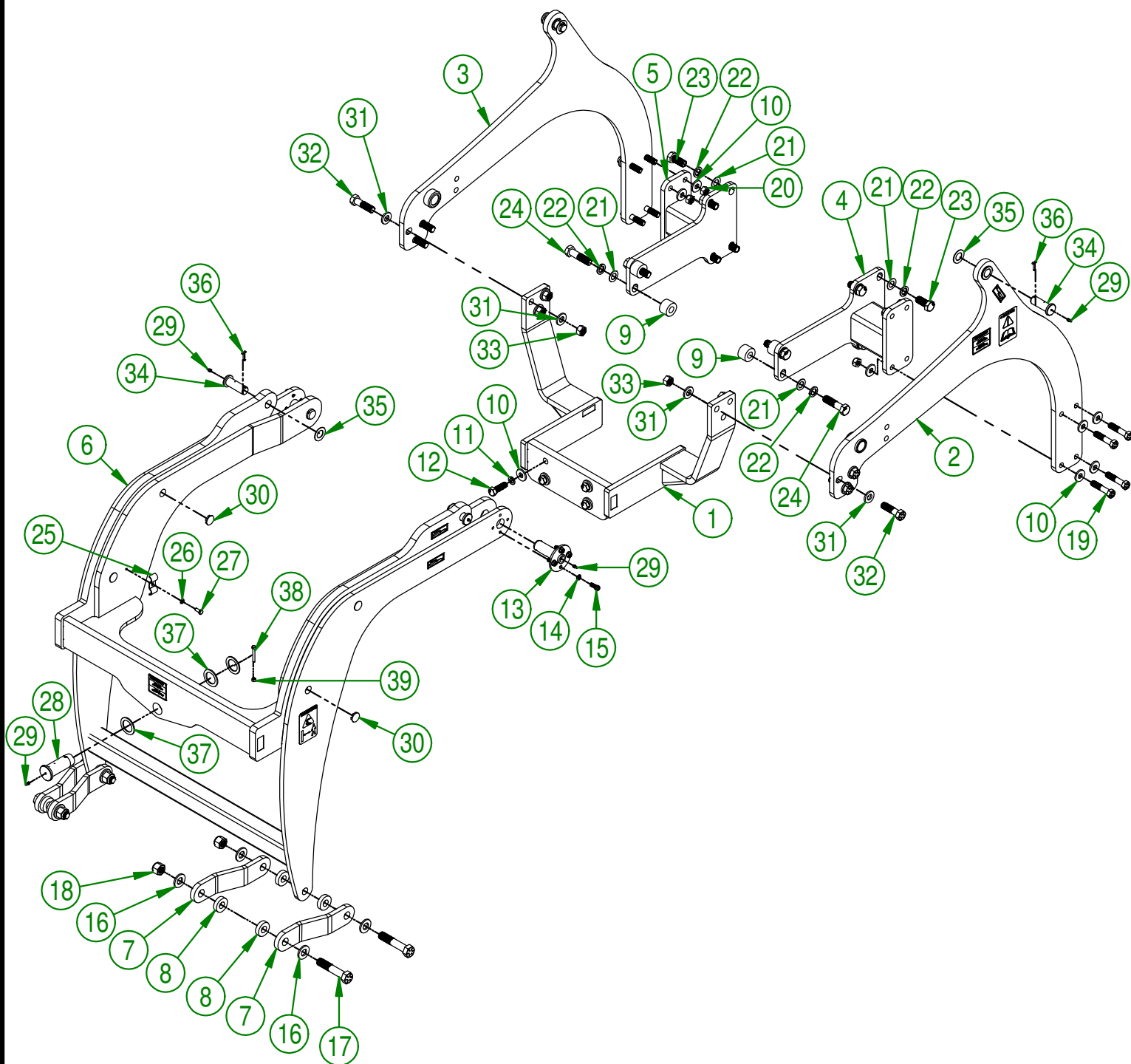


<b>AGRIMETAL</b>	
<b>REGROUPEMENT COUTEAU CAOUTCHOUC</b>	
CREATION : 10/05/17	ASSEMBLY : <b>91-57-0195</b>
REVISION : 05/02/21	AUTHOR : J. Houle

#	PART #	Qty	TITLE
1	91-50-0052	1	INSIDE KNIFE RIGHT
2	91-50-0057	1	INSIDE KNIFE LEFT
3	NC02-48-0547	32	FLAT HEAD SOCKET CAP SCREW STAINLESS 1/2-13 X 1 3/4
4	NC01-96-0014	32	NYLON INSERT LOCKNUT 1/2-13"
5	91-20-0388	2	OUTSIDE KNIFE



<b>AGRIMETAL</b>			
<b>QT KNIFE GROUP</b>			
CREATION : 04/05/17	ASSEMBLY :	91-57-0201	
REVISION : 29/12/17	AUTHOR : J.H.	Page 2 de 13	



**AGRIMETAL**  
**SUBFRAME GROUP**

CREATION : 07/12/17  
 REVISION : 14/02/19

ASSEMBLY : **92-57-0355**

AUTHOR : J.KABWE

Page 3 de 13

#	PART #	Qty	TITLE
1	92-50-1020	1	FRAME SUPPORT
2	92-57-0350	1	FIXED SUBFRAME STICKER INCLUDED (LEFT)
3	92-57-0345	1	FIXED SUBFRAME STICKER INCLUDED (RIGHT)
4	92-50-1010	1	LEFT SUBFRAME
5	92-50-1012	1	RIGHT SUBFRAME
6	92-57-0340	1	SUBFRAME MOBILE STICKER INCLUDED
7	92-04-1465	4	BLADE CONNECTOR
8	NC13-15-0319	8	RUBBER WASHER
9	92-09-0510	4	SPACER
10	91-20-0155	20	FLAT WASHER
11	NC02-32-0016	4	LOCK WASHER ZINC 5/8"
12	NC01-50-0107	4	BOLT GR10.9 NF 16MM X 1.5 THREAD X 50MM LG
13	91-50-0030	2	SUBFRAME PIVOT
14	NC02-32-0012	8	LOCK WASHER ZINC 3/8"
15	NC01-37-0114	8	BOLT GR8 3/8" X 1"
16	09-04-0050	8	PNO 3/16" X 1 49/64" DIA. X Ø 7/8" FLAT WASHER
17	NC01-33-0506	4	CAP SCREW GR8 NC ZINC 7/8-9 X 4 1/2" LG
18	NC01-96-0018	4	NYLON INSERT NUT 7/8-9
19	NC01-33-0400	8	CAP SCREW GR8 NC ZINC 5/8-11 X 3" LG
20	NC01-93-0016	8	LOCK NUT ZINC 5/8-11
21	NC02-22-0008	12	WASHER METRIC ZINC 20MM 3MM
22	NC02-32-1015	12	LOCK WASHER STAINLESS M16
23	NC01-50-0155	8	BOLT METR.GR.10.9 NC 20MM X 1.5THREAD X 45MM
24	NC01-50-0162	4	BOLT METR.GR.10.9 NC 20MM X 1.5THREAD X 80MM
25	91-01-0020	1	HYDRAULIC HOSE PROTECTOR
26	NC02-32-0011	1	LOCK WASHER ZINC 5/16"
27	NC01-17-0058	1	HEX. BOLT GR2 ZINC 5/16-18 X 3/4"
28	91-13-2800	1	CENTER PIVOT SHAFT
29	NC01-69-0785	7	STRAIGHT GREASE FITTING 1/4-28
30	NC13-80-0273	8	BLACK CAP 1" DIA
31	22-04-6805	12	FLAT WASHER BEARING BASE
32	NC01-37-0450	6	HEX. BOLT GR8 ZINC 3/4-16 X 2 3/4
33	NC01-94-0016	6	HEX. LOCKNUT STEEL NF Z 3/4-16
34	91-20-0211	4	CYLINDER PIVOT
35	91-22-2200	4	FLAT WASHER HYDRAULIC CYLINDER
36	NC01-69-0159	4	COTTER PIN ZINC 3/16 X 1 1/2"
37	92-01-0005	3	WASHER 2 1/4" DIA. X 1 9/16"
38	NC01-17-0010	1	HEX. BOLT GR2 NC ZINC 1/4-20 X 2"
39	NC01-93-0001	1	HEX. NUT NC ZINC 1/4-20

**AGRIMETAL**  
**SUBFRAME GROUP**

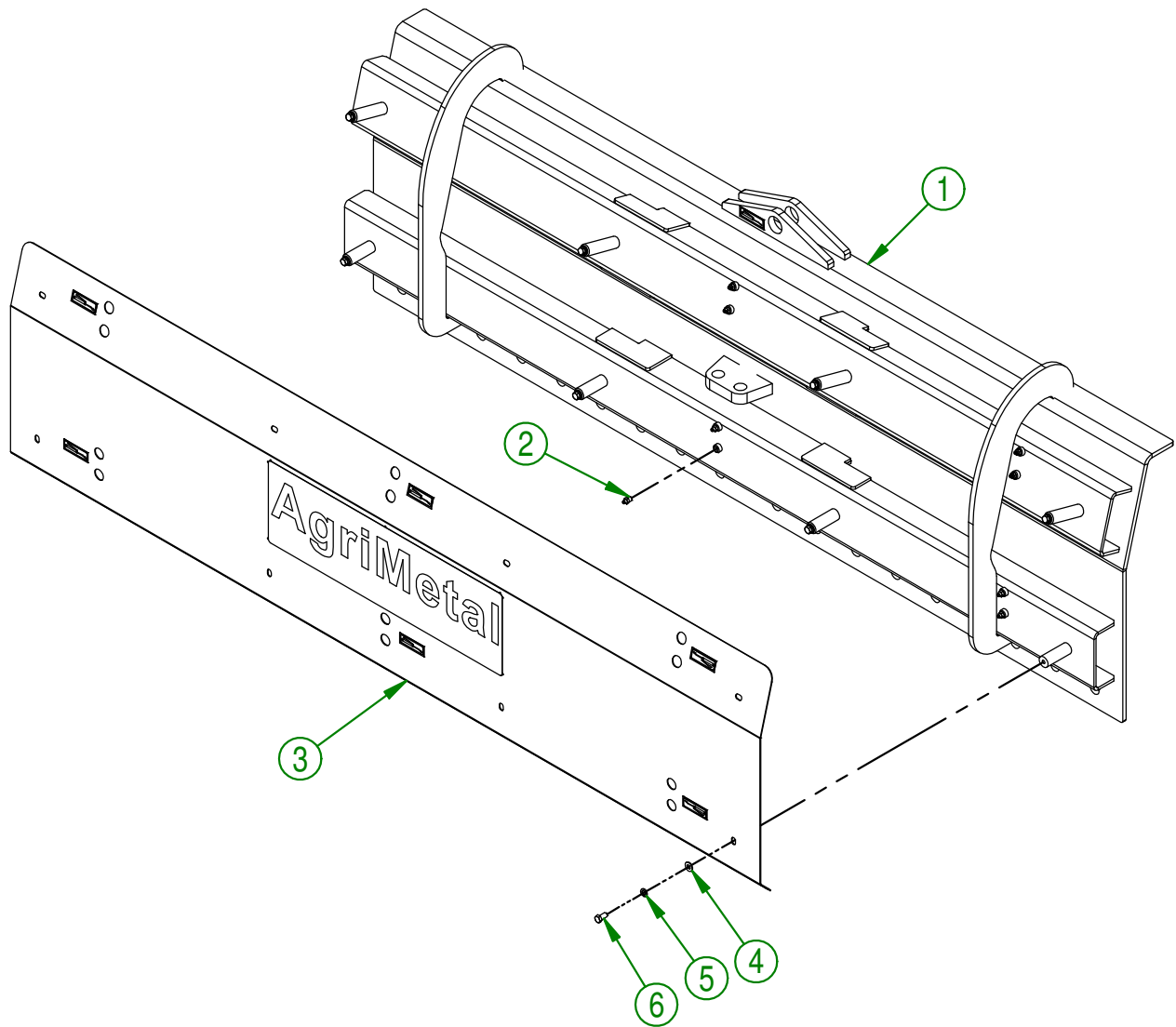
CREATION : 07/12/17  
REVISION : 14/02/19

ASSEMBLY : **92-57-0355**

AUTHOR : J.KABWE

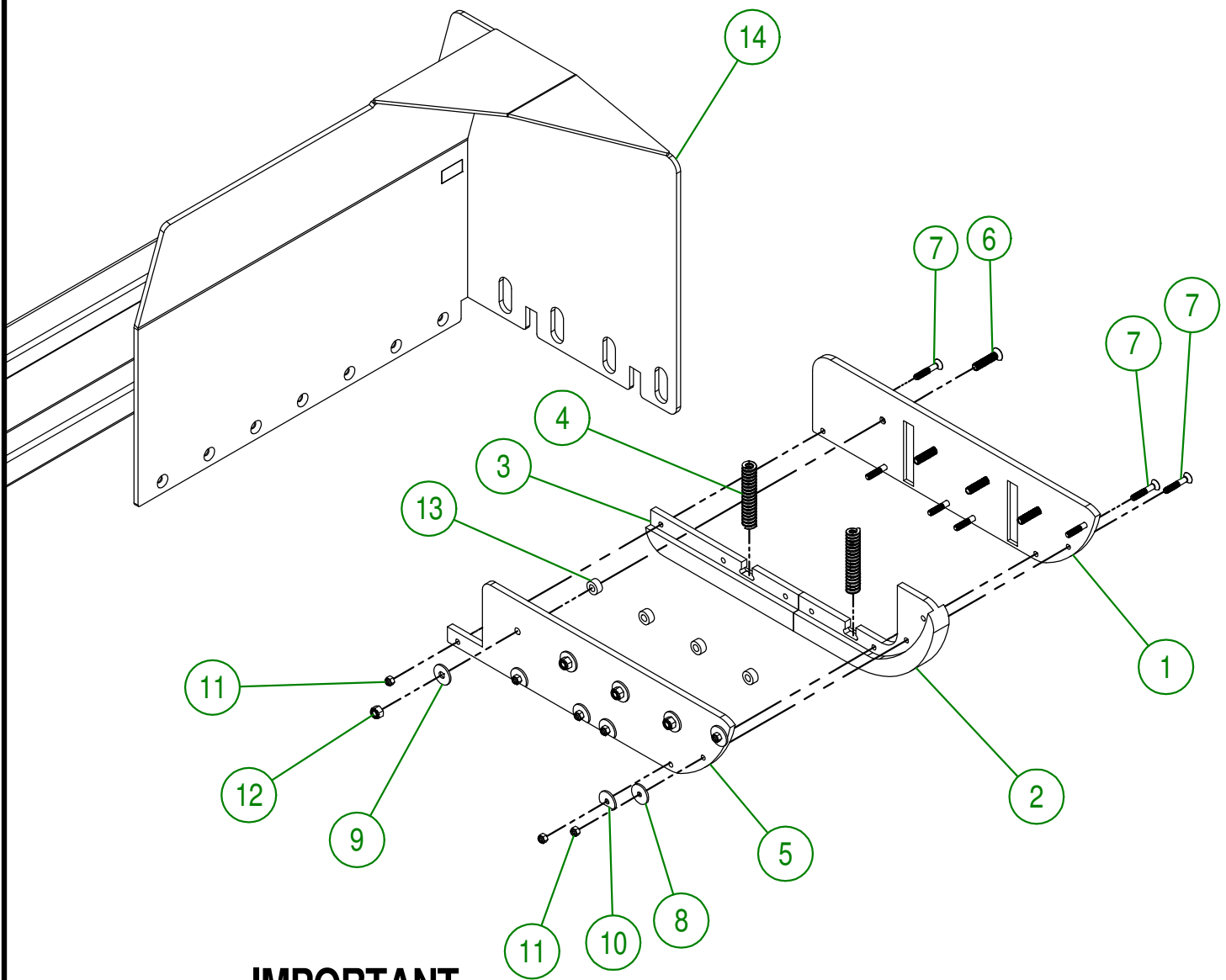
Page 4 de 13

#	PART #	Qty	TITLE
1	91-57-0131	1	CENTRAL BLADE MAX PRO 7-12 STICKER INCLUDED GROUP.
2	NC01-69-0791	12	GREASE FITTING 1/8 NPT STRAIGHT
3	91-57-0505	1	HYDRAULIC CYLINDER GUARD
4	01-01-2485	8	FLAT WASHER 14 GA X 13/16"OD X 25/64" ID
5	NC02-32-0012	8	LOCK WASHER ZINC 3/8"
6	NC01-17-0112	8	HEX. BOLT GR2 ZINC 3/8-16 X 3/4"



<b>AGRIMETAL</b>	
<b>SNOW BLADE GROUP</b>	
CREATION : 22/03/18	ASSEMBLY : <b>91-57-0021</b>
REVISION : 15/10/18	AUTHOR : J.KABWE Page 5 de 13

#	PART #	Qty	TITLE
1	91-42-0144	1	FLOATING SKATE (RIGHT OUTSIDE)
2	91-42-0138	1	FLOATING SKATE (MIDDLE FRONT)
3	91-42-0150	1	FLOATING SKATE (MIDDLE BACK)
4	NC13-86-0052	2	SPRING 1/2" ID X 1" OD X 5" LG
5	91-42-0142	1	FLOATING SKATE (RIGHT INSIDE)
6	NC02-48-0549	4	STAINLESS FLAT HEAD SOCKET CAP SCREW 1/2-13 X 2 1/4"
7	NC02-48-0537	7	STAINLESS FLAT HEAD SOCKET CAP SCREW 3/8-16 X 2 1/4"
8	91-20-0163	2	WASHER
9	91-20-0150	4	WASHER
10	91-20-0160	4	WASHER
11	NC01-96-0011	7	NYLON NUT 3/8-16
12	NC01-96-0014	4	NYLON INSERT LOCKNUT 1/2-13"
13	91-09-0000	4	BUSHING
14	91-57-0141	1	RIGHT BLADE



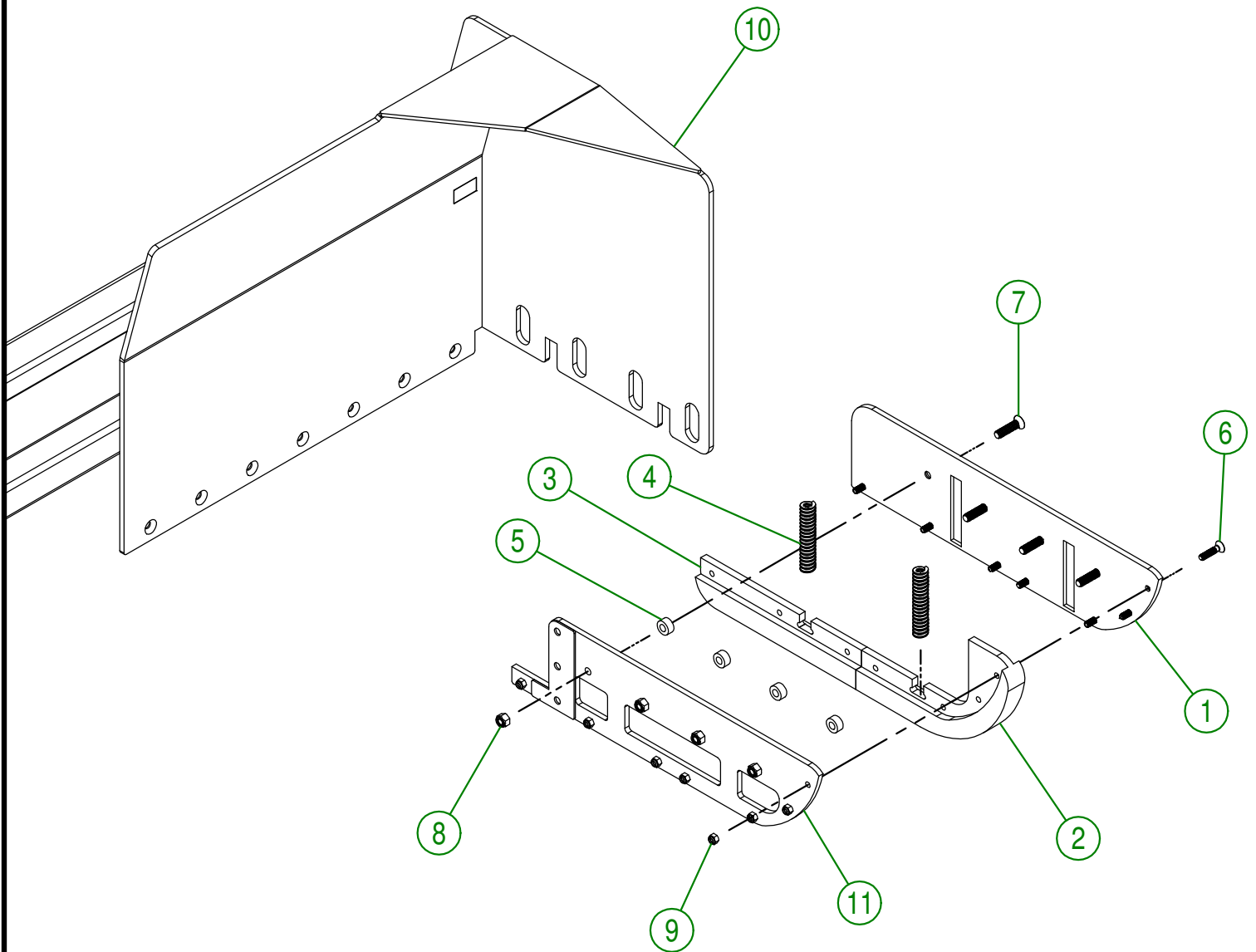
### IMPORTANT

USE THIS PARTS ONLY IF YOUR SERIAL NUMBER IS INVOLVED:

#37424 OR UNDER

AGRIMETAL	
RIGHT BLADE	
CREATION : 03/05/17	ASSEMBLY : 91-57-0046
REVISION : 25/10/19	AUTHOR : J.H. Page 6 de 13

#	PART #	Qty	TITLE
1	91-42-0400	1	FLOATING SKATE (RIGHT OUTSIDE)
2	91-42-0138	1	FLOATING SKATE (MIDDLE FRONT)
3	91-42-0150	1	FLOATING SKATE (MIDDLE BACK)
4	NC13-86-0052	2	SPRING 1/2" ID X 1" OD X 5" LG
5	91-09-0000	4	BUSHING
6	NC02-48-0535	7	STAINLESS FLAT HEAD SOCKET CAP SREW 3/8-16 X 1 3/4
7	NC02-48-0548	4	FLAT HEAD SOCKET CAP SCREW STAINLESS 1/2-13 X 2"
8	NC01-96-0014	4	NYLON INSERT LOCKNUT 1/2-13"
9	NC01-96-0011	7	NYLON NUT 3/8-16
10	91-57-0141	1	RIGHT BLADE
11	91-50-0355	1	FLOATING SKATE (RIGHT INSIDE)



## IMPORTANT

USE THIS PARTS ONLY IF YOUR SERIAL NUMBER IS INVOLVED:

#37430 OR ABOVE

**AGRIMETAL**  
RIGHT BLADE

CREATION : 05/11/18  
REVISION : 25/10/19

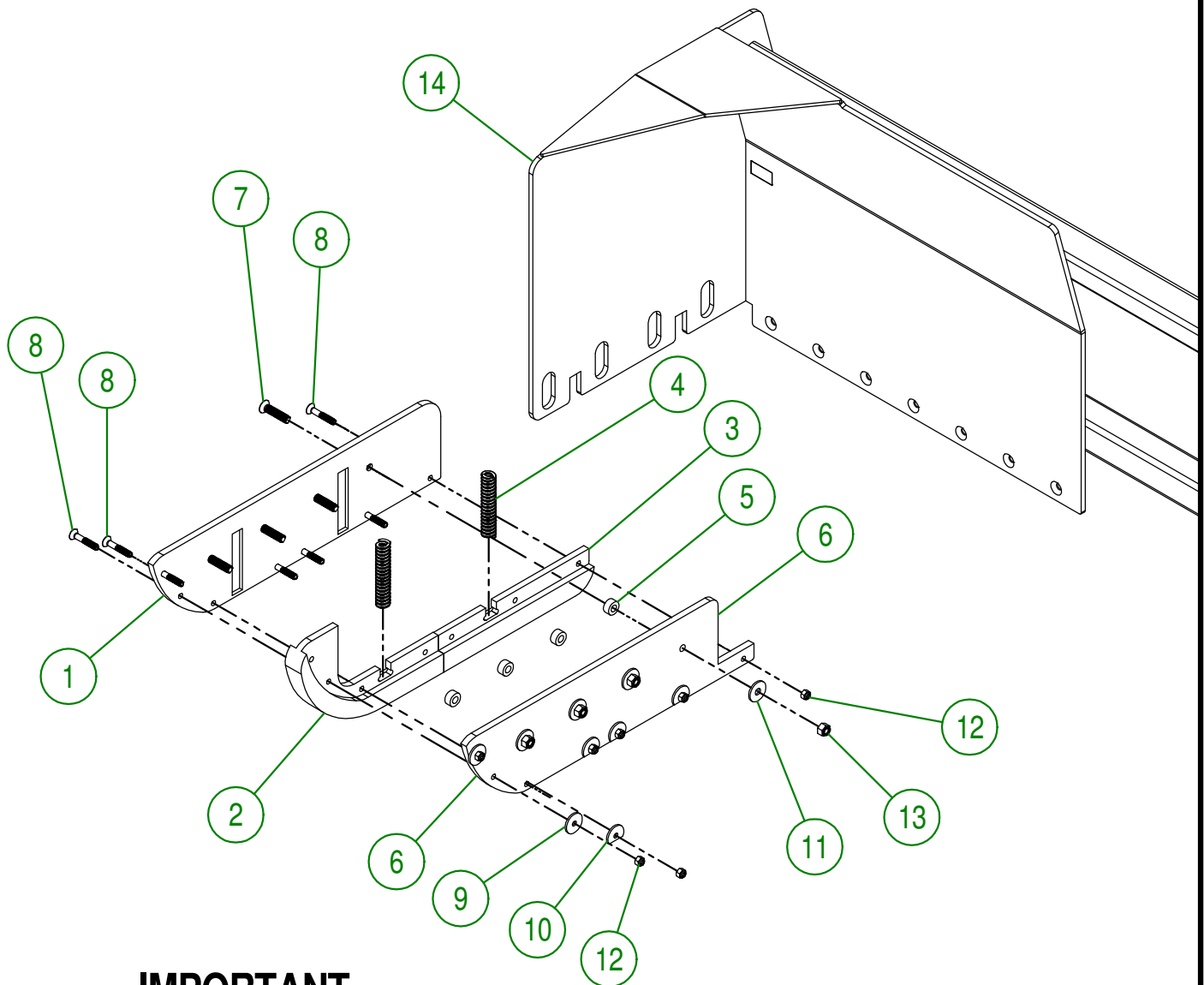
ASSEMBLY : **91-57-0047**

AUTHOR : J. Houle

Page 7 de 13



#	PART #	Qty	TITLE
1	91-42-0140	1	FLOATING SKATE (LEFT EXT.)
2	NC13-15-0325	1	FLOATING SKATE (MIDDLE FRONT)
3	NC13-15-0323	1	FLOATING SKATE (MIDDLE BACK)
4	NC13-86-0052	2	SPRING 1/2" ID X 1" OD X 5" LG
5	91-09-0000	4	BUSHING
6	91-42-0136	1	FLOATING SKATE (LEFT INT.)
7	NC02-48-0549	4	STAINLESS FLAT HEAD SOCKET CAP SCREW 1/2-13 X 2 1/4"
8	NC02-48-0537	7	STAINLESS FLAT HEAD SOCKET CAP SCREW 3/8-16 X 2 1/4"
9	91-20-0163	2	WASHER
10	91-20-0160	4	WASHER
11	91-20-0150	4	WASHER
12	NC01-96-0011	7	NYLON NUT 3/8-16
13	NC01-96-0014	4	NYLON INSERT LOCKNUT 1/2-13"
14	91-57-0136	1	LEFT BLADE



## IMPORTANT

USE THIS PARTS ONLY IF YOUR SERIAL NUMBER IS INVOLVED:

#37424 OR UNDER

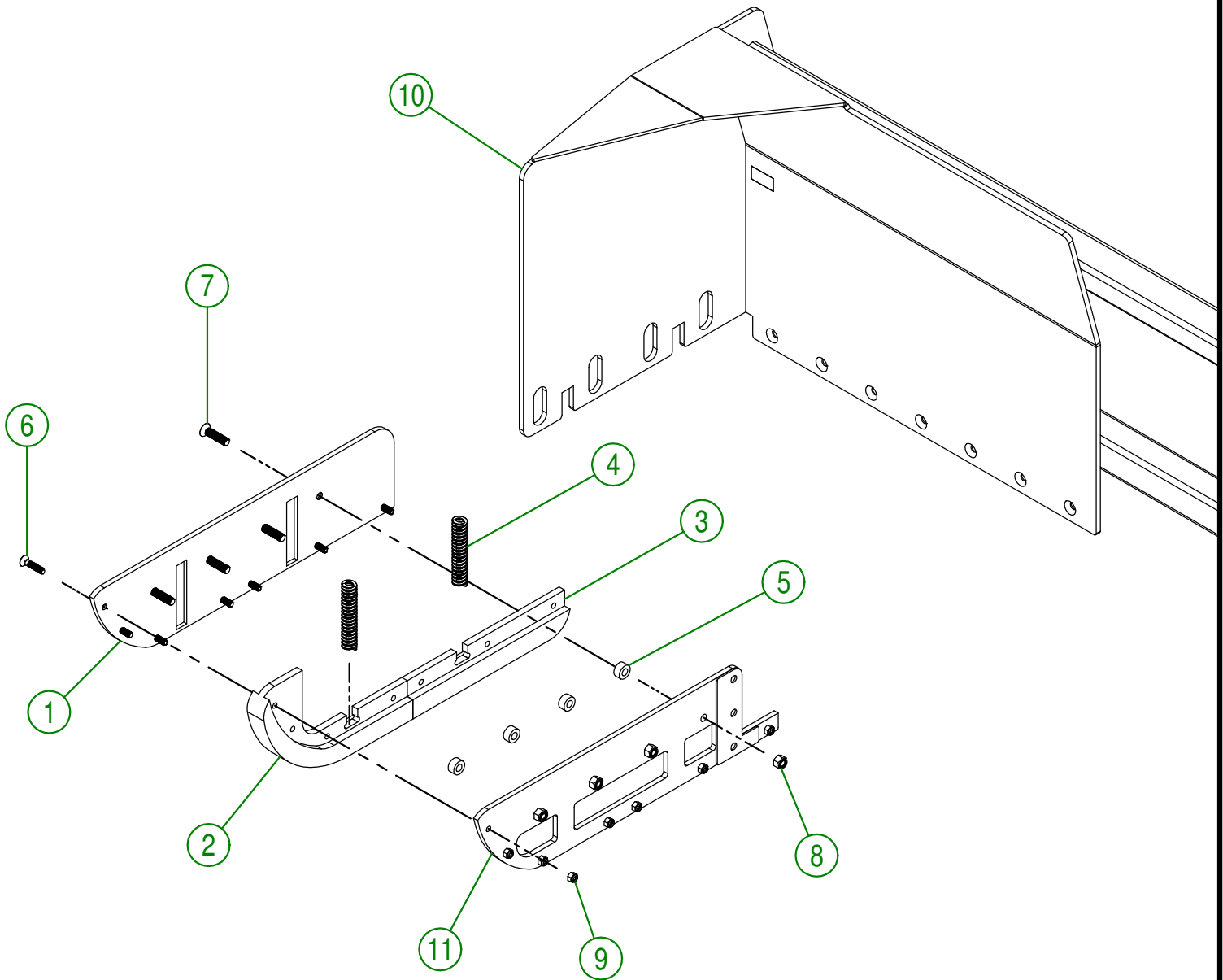
**AGRIMETAL**

**LEFT BLADE**

CREATION : 03/05/17  
REVISION : 10/01/19

ASSEMBLY : 91-57-0051  
AUTHOR : J.H. Page 8 de 13

#	PART #	Qty	TITLE
1	91-42-0403	1	FLOATING SKATE (LEFT EXT.)
2	91-42-0138	1	FLOATING SKATE (MIDDLE FRONT)
3	91-42-0150	1	FLOATING SKATE (MIDDLE BACK)
4	NC13-86-0052	2	SPRING 1/2" ID X 1" OD X 5" LG
5	91-09-0000	4	BUSHING
6	NC02-48-0535	7	STAINLESS FLAT HEAD SOCKET CAP SREW 3/8-16 X 1 3/4
7	NC02-48-0548	4	FLAT HEAD SOCKET CAP SCREW STAINLESS 1/2-13 X 2"
8	NC01-96-0014	4	NYLON INSERT LOCKNUT 1/2-13"
9	NC01-96-0011	7	NYLON NUT 3/8-16
10	91-57-0136	1	LEFT BLADE
11	91-50-0360	1	FLOATING SKATE (LEFT INSIDE)



## IMPORTANT

USE THIS PARTS ONLY IF YOUR SERIAL NUMBER IS INVOLVED:

#37430 OR ABOVE

**AGRIMETAL**  
LEFT BLADE

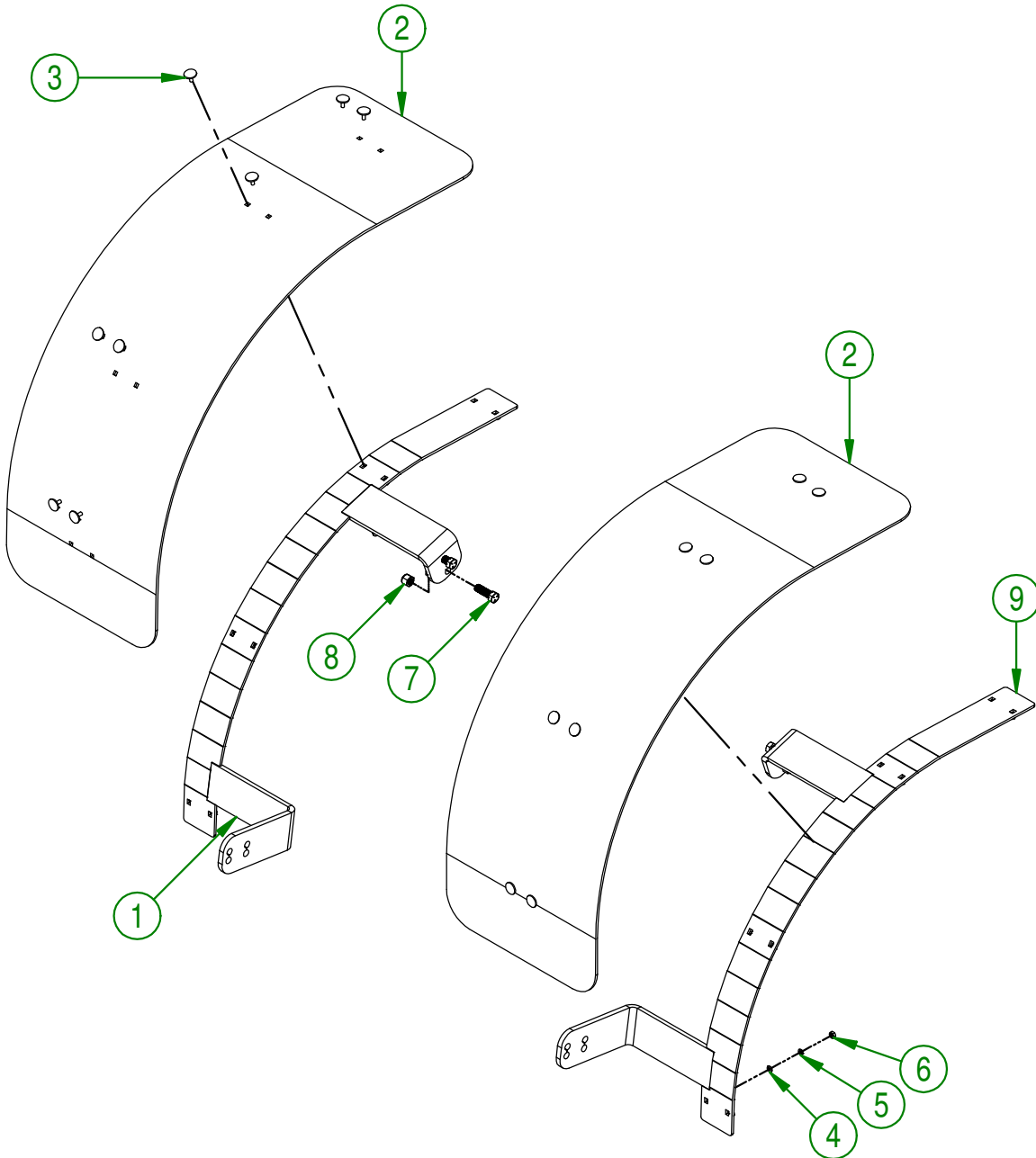
CREATION : 05/11/18  
REVISION : 25/10/19

ASSEMBLY : **91-57-0052**

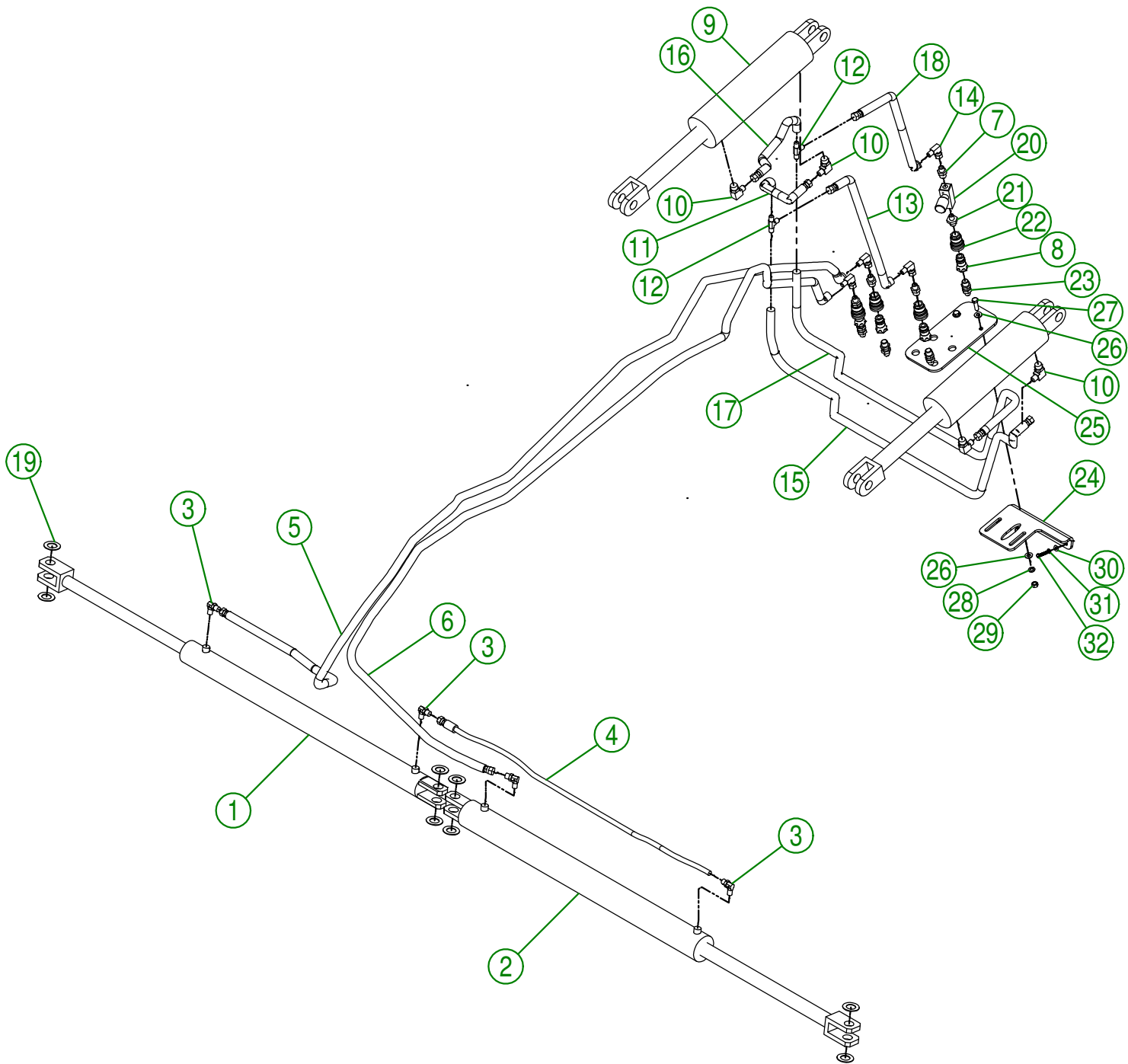
AUTHOR : J. Houle

Page 9 de 13

#	PART #	Qty	TITLE
1	92-50-1060	1	MUD SUPPORT (LEFT)
2	92-42-0105	2	GUARD
3	NC01-13-0062	16	ELEVATOR STAINLESS BOLT 5/16-18 X 1"
4	NC02-22-0008	16	WASHER ZINC 5/16"
5	NC02-32-0011	16	LOCK WASHER ZINC 5/16"
6	NC02-07-0017	16	HEX. NUT 5/16-18
7	NC01-29-0396	4	HEX. BOLT GR5 NF 5/8-18 X 2
8	NC01-97-0010	4	HEX LOCKNUT NYLON NF ZINC 5/8-18
9	92-50-1063	1	MUD SUPPORT (RIGHT)



<b>AGRIMETAL</b>	
<b>MUD GUARD GROUP.</b>	
CREATION : 22/01/18	ASSEMBLY : <b>92-57-0360</b>
REVISION : 27/12/18	AUTHOR : J.KABWE Page 10 de 13



**AGRIMETAL**  
**HYDRAULIC GROUP**

CREATION : 22/01/18  
 REVISION : 15/10/19

ASSEMBLY : **92-57-0365**

AUTHOR : J.KABWE | Page 11 de 13

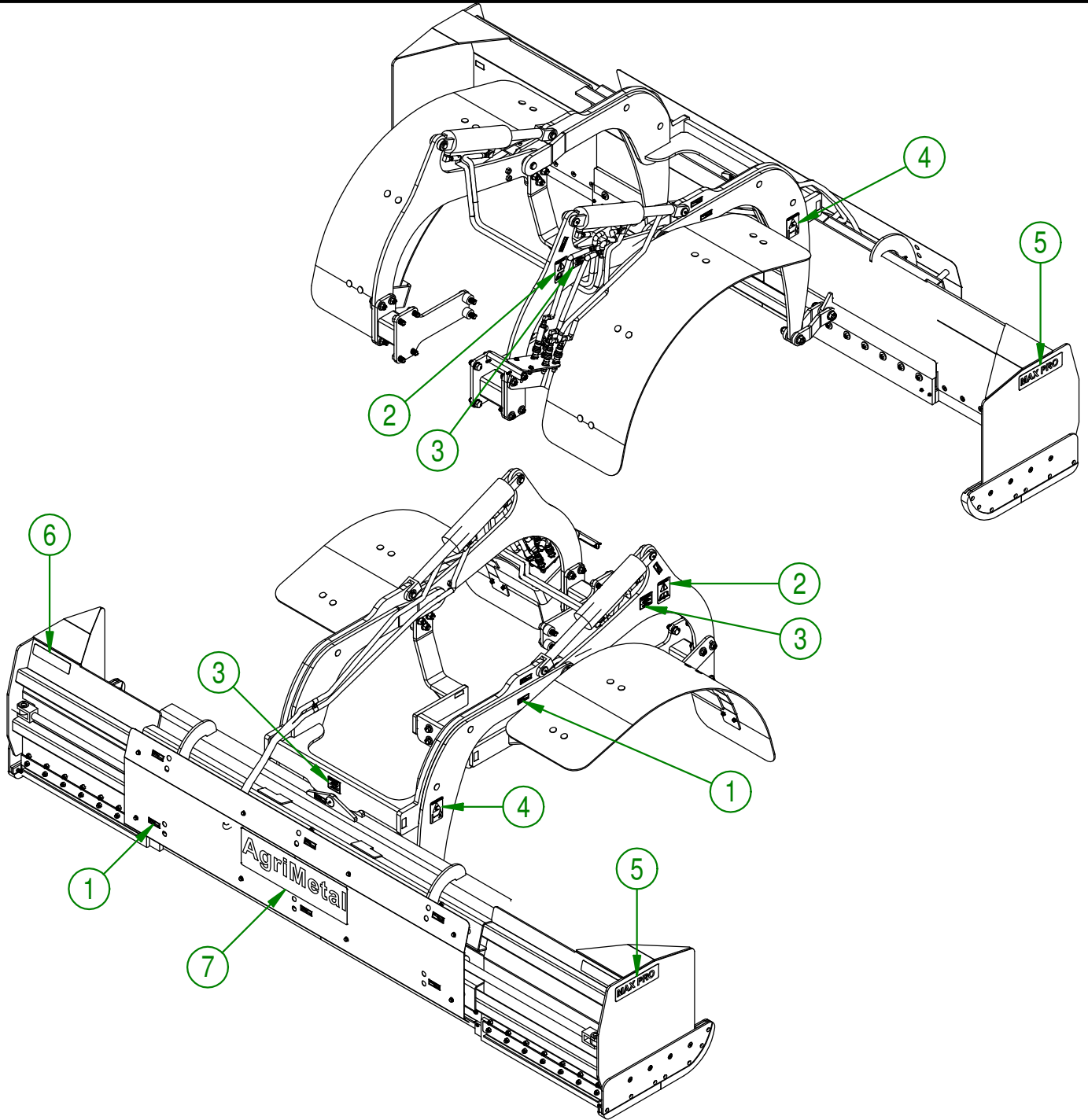
#	PART #	Qty	TITLE
1	NC13-45-0240	1	HYDRAULIC CYLINDER 2" X 30" STROKE
2	NC13-45-0239	1	HYDRAULIC CYLINDER 2 1/2" X 30" STROKE
3	NC13-45-0254	4	90 DEG ELBOW 9/16"-18 MALE SAE6 O RING X 3/8" MALE JIC
4	NC17-02-0353	1	HYDRAULIC HOSE 39 3/4"
5	NC17-02-0401	1	HYDRAULIC HOSE 111"
6	NC17-02-0401	1	HYDRAULIC HOSE 111"
7	NC13-45-0288	4	STRAIGHT FITTING 1/2" MALE JIC X 3/8" MALE NPT
8	NC13-45-0285	4	QUICK COUPLER 3/8 NPTF
9	NC13-45-0267	2	HYDRAULIC CYLINDER 3 1/2" X 10" STROKE
10	NC13-45-0242	4	90 DEG ELBOW
11	NC17-02-0423	1	HYDRAULIC HOSE 10 1/2"
12	NC13-45-0289	2	T 3/8 MALE JIC X 3/8 MALE JIC X 3/8 MALE JIC
13	NC17-02-0379	1	HYDRAULIC HOSE 14 7/8"
14	NC13-45-0173	4	90 DEG ELBOW
15	NC17-02-0356	1	HYDRAULIC HOSE 76 1/2"
16	NC17-02-0423	1	HYDRAULIC HOSE 10 1/2"
17	NC17-02-0356	1	HYDRAULIC HOSE 83 1/2"
18	NC17-02-0379	1	HYDRAULIC HOSE 14 7/8"
19	91-22-2200	8	FLAT WASHER HYDRAULIC CYLINDER
20	NC13-45-0241	1	FLOW CONTROLE 3/8" NPT FEMALE
21	NC13-45-0068	1	STRAIGHT FITTING 3/8" MALE NPT X 3/8" MALE NPT
22	NC13-45-0295	4	QUICK COUPLING FEMALE X FEMALE NPTF 3/8-18
23	NC13-45-0302	4	STRAIGHT FITTING 1/2" MALE JIC X 3/8" MALE NPT WITH NUT
24	92-04-0140	1	HOSE SUPPORT
25	92-04-0145	1	HOSE SUPPORT
26	01-01-2485	4	FLAT WASHER 14 GA X 13/16"OD X 25/64" ID
27	NC01-17-0115	2	HEX. BOLT GR2 ZINC 3/8-16 X 1 1/4"
28	NC02-32-0012	2	LOCK WASHER ZINC 3/8"
29	NC02-07-0018	2	HEX. NUT ZINC 3/8-16
30	NC02-25-0007	2	WASHER ZINC 0.281 = 9/32
31	NC02-32-0010	2	LOCK WASHER ZINC 1/4"
32	NC01-45-0117	2	BOLT METR. GR8.8 NC ZINC 6MM I THREAD X 30MM

**AGRIMETAL**  
HYDRAULIC GROUP

CREATION : 22/01/18  
REVISION : 15/10/19

ASSEMBLY : **92-57-0365**  
AUTHOR : J.KABWE Page 12 de 13

#	PART #	Qty	TITLE
1	NCI3-33-0024	14	STICKER GREASE HERE
2	NCI3-33-0183	2	STICKER CAUTION OPERATION MANUAL
3	NCI3-33-0319	3	STICKER IMPORTANT GREASE EVERY 5 HOURS
4	NCI3-33-0268	2	STICKER WARNING
5	NCI3-33-0265	2	STICKER MAX PRO
6	28-60-0050	2	STICKER SCOTCHLITE
7	NCI3-33-0318	1	STICKER AGRIMETAL INC (XL)



<b>AGRIMETAL</b>	
<b>MAX PRO KUBOTA M7060</b>	
CREATION : 18/10/18	ASSEMBLY : <b>92-99-1501</b>
REVISION : 15/02/19	AUTHOR : J.KABWE Page 13 de 13