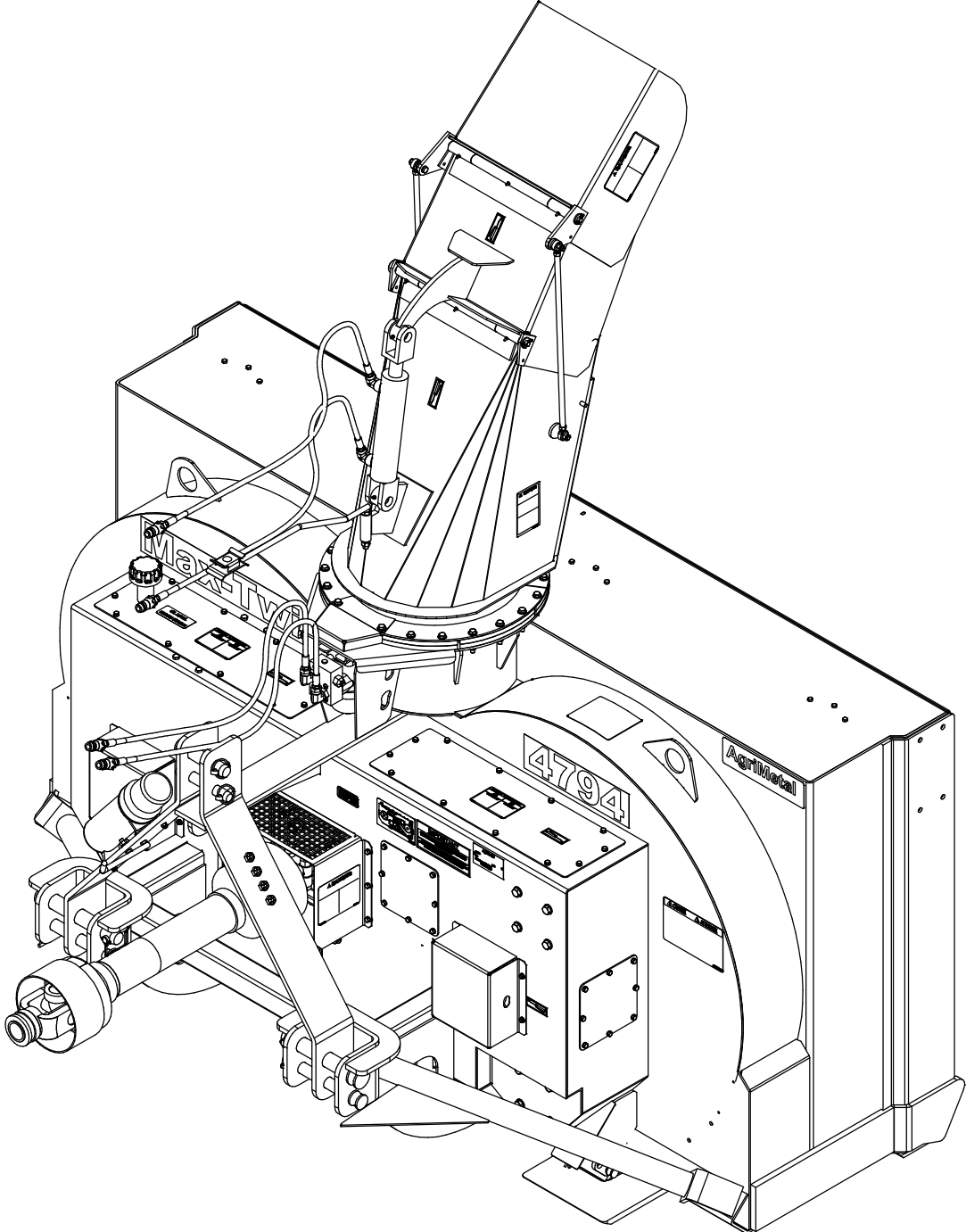


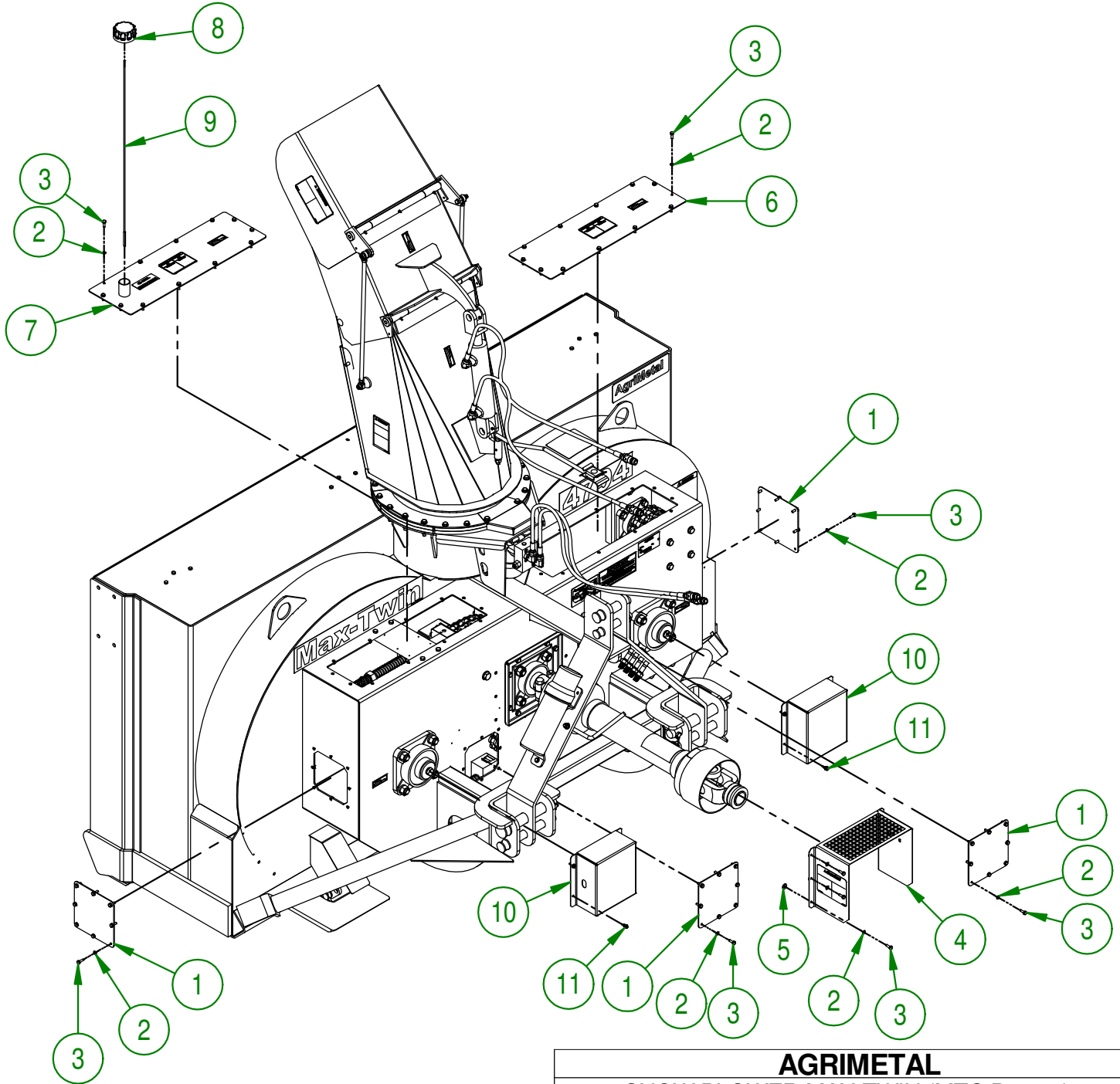
AgriMetal

PARTS LIST



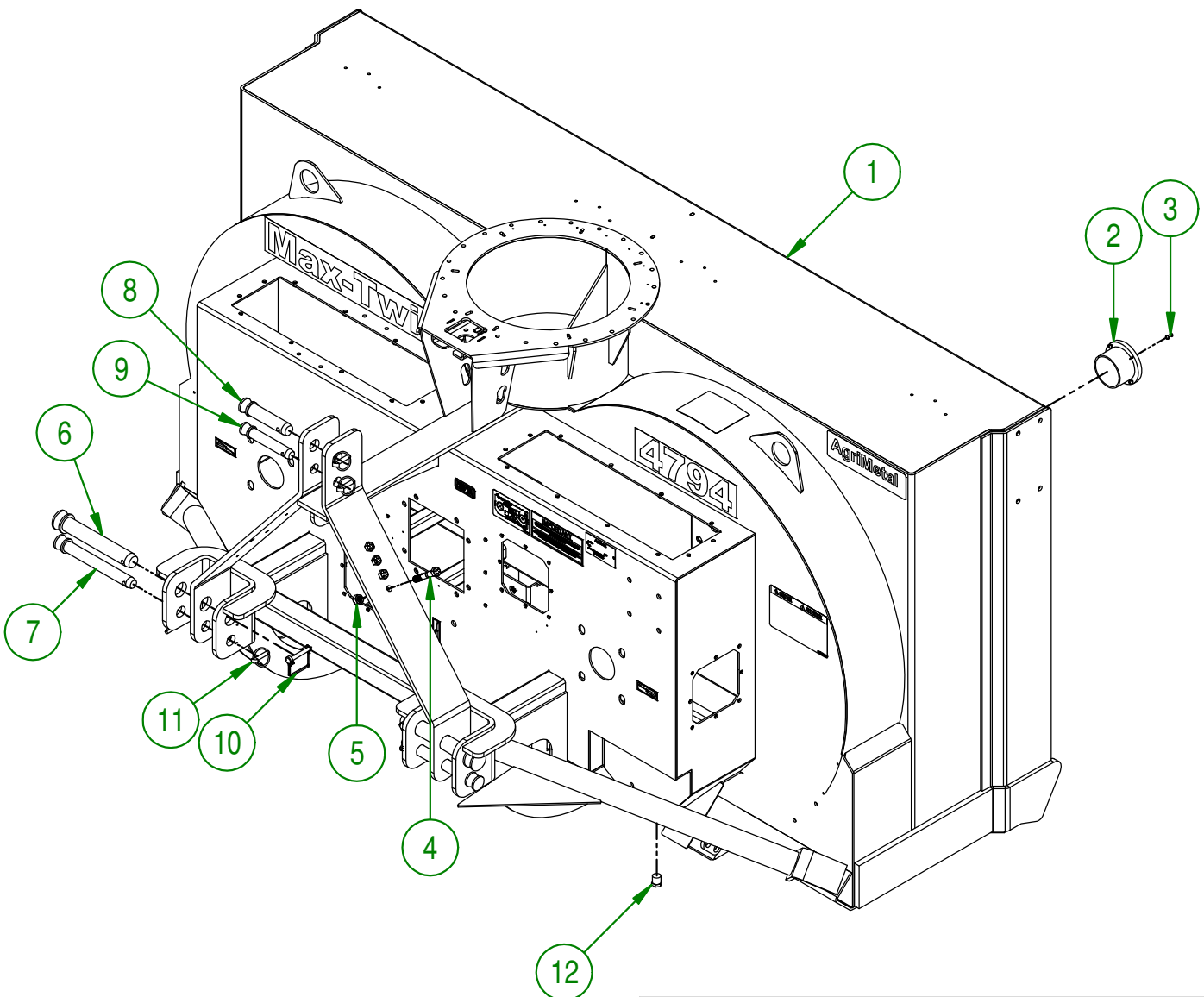
MTC + 4794 (IN OIL)

| # | PART # | Qty | TITLE |
|----|--------------|-----|---|
| 1 | 49-01-1500 | 4 | ACCESS DOOR (FRONT & SIDE) |
| 2 | 49-22-2205 | 62 | WASHER |
| 3 | NC01-37-0004 | 62 | HEX. BOLT GR2 ZINC 1/4-28 X 3/4" |
| 4 | 49-57-0035 | 1 | PTO GUARD GROUP. (INCL. STICKER) |
| 5 | 49-22-1810 | 6 | WASHER |
| 6 | 49-57-0108 | 1 | GEAR BOX DOOR STICKER INCL. GROUP. (LEFT) |
| 7 | 49-57-0107 | 1 | GEAR BOX DOOR STICKER INCLUDED (RIGHT) |
| 8 | NC13-45-0016 | 1 | FILLING CAP |
| 9 | 49-13-0000 | 1 | LEVEL OIL ROD |
| 10 | 49-01-3010 | 2 | BEARING PROTECTOR |
| 11 | NC02-41-0013 | 8 | HEX. PEIRCING MET. SCREW 1/4" X 3/4" |



| | |
|-----------------------------------|-------------------------------|
| AGRIMETAL | |
| SNOW BLOWER MAX-TWIN (MTC P 4794) | |
| CREATION : 07/06/18 | ASSEMBLY : 49-99-0000 |
| REVISION : 13/12/18 | AUTHOR : J.KABWE Page 1 de 27 |

| # | PART # | Qty | TITLE |
|----|--------------|-----|--|
| 1 | 49-57-0015 | 1 | FRAME STICKER INCLUDED (MTC+ 4794) |
| 2 | 49-42-0110 | 2 | BUSHING |
| 3 | NC01-78-0017 | 8 | POP RIVET STEEL ROD .187 X .815 CAP. RIV 5/8 |
| 4 | 49-30-9960 | 4 | SAFETY BOLT |
| 5 | NC01-94-0014 | 4 | HEX. LOCKNUT NF Z 9/16-18 |
| 6 | 49-20-0065 | 2 | 3 POINT PIN |
| 7 | 49-20-0070 | 2 | 3 POINT PIN |
| 8 | 49-20-0060 | 1 | 3 POINT PIN |
| 9 | 48-20-0060 | 1 | 3 POINT PIN |
| 10 | NC01-69-1306 | 2 | LOCKING PIN 3/8" X 2 1/2" LG |
| 11 | NC01-69-1100 | 4 | LINCH PIN 3/8" |
| 12 | NC13-45-0015 | 2 | HEX. CAP 1/2 NPTF MALE |



AGRIMETAL
FRAME GROUP.

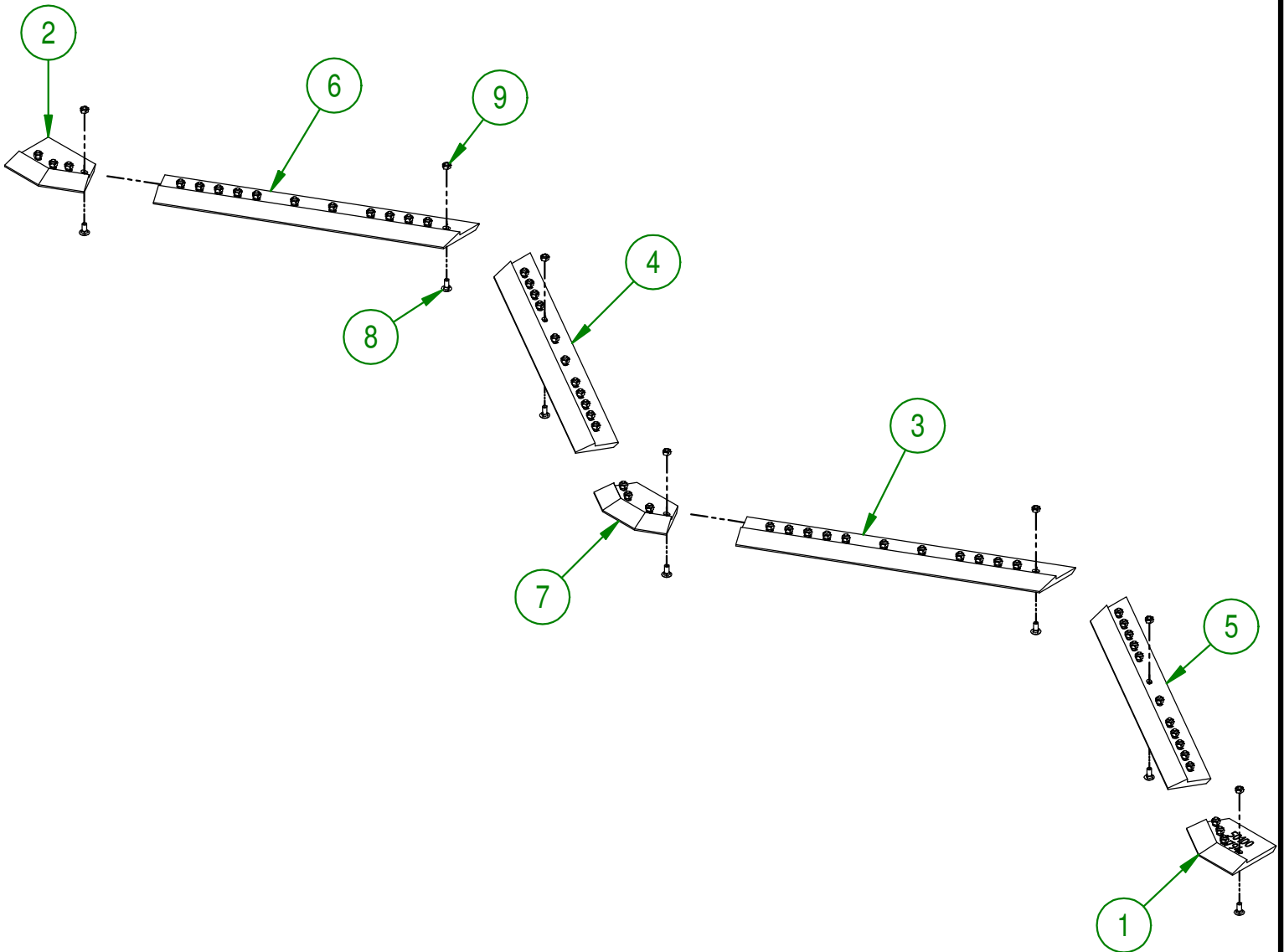
CREATION : 07/06/18
REVISION : 13/12/18

ASSEMBLY : **49-57-0000**

AUTHOR : J.KABWE

Page 2 de 27

| # | PART # | Qty | TITLE |
|---|--------------|-----|---------------------------------------|
| 1 | 49-20-0450 | 1 | KNIFE (OUTSIDE RIGHT) |
| 2 | 49-20-0453 | 1 | KNIFE (OUTSIDE LEFT) |
| 3 | 49-20-0465 | 1 | KNIFE (INSIDE RIGHT) |
| 4 | 49-20-0467 | 1 | NIFE (INSIDE LEFT) |
| 5 | 49-20-0470 | 1 | KNIFE (OUTSIDE RIGHT) |
| 6 | 49-20-0473 | 1 | KNIFE (OUTSIDE LEFT) |
| 7 | 49-20-0475 | 1 | KNIFE (CENTER) |
| 8 | NC01-07-0056 | 60 | CARR. BOLT GR5 NC ZINC 5/16-18 X 3/4" |
| 9 | NC01-93-0010 | 60 | LOCK NUT ZINC 5/16-18 |



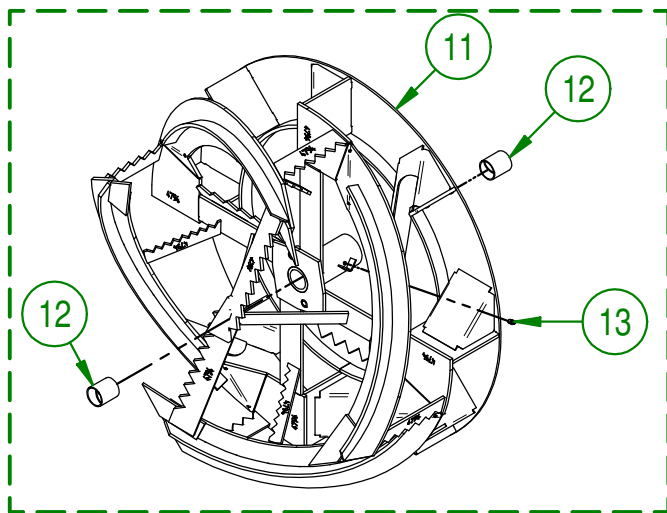
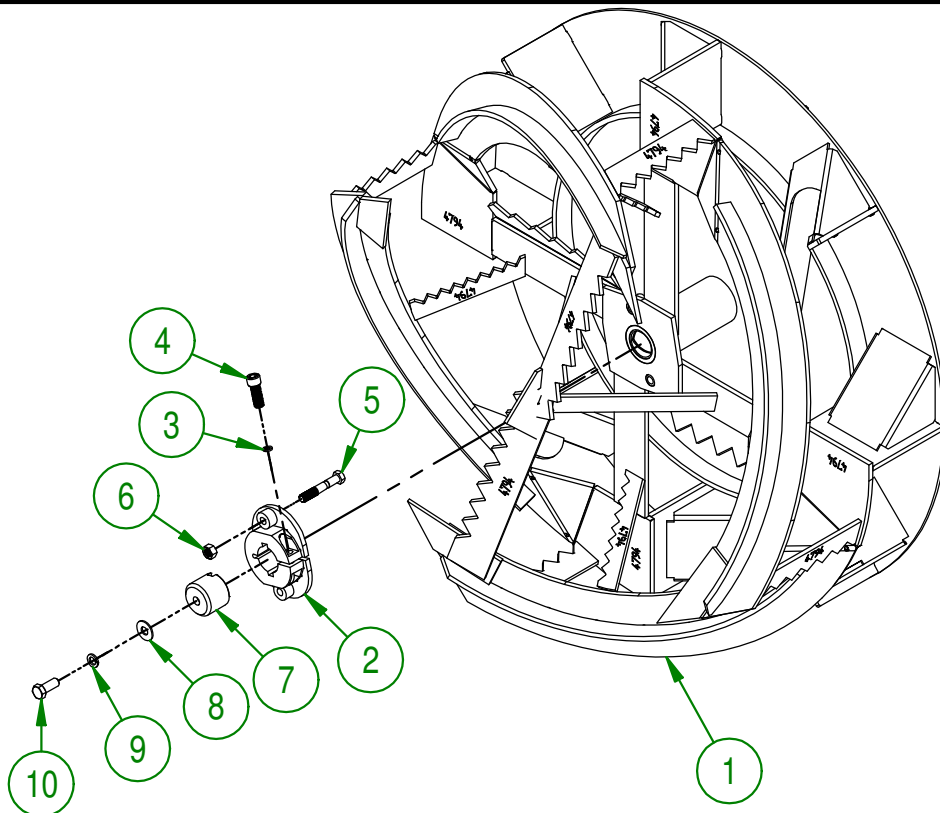
| | |
|---------------------------|---------------------------------|
| AGRIMETAL | |
| KNIVES GROUP. (STEEL 450) | |
| CREATION : 25/05/18 | ASSEMBLY : 49-57-0220 |
| REVISION : 23/01/19 | AUTHOR : J.KABWE Page 3 de 27 |

49-57-0005

| # | PART # | Qty | TITLE |
|----|--------------|-----|---------------------------------------|
| 1 | 49-55-0005 | 1 | IMPELLER (RIGHT) ASSY. |
| 2 | 49-50-0545 | 1 | IMPELLER FLANGE |
| 3 | NC02-32-0012 | 1 | LOCK WASHER ZINC 3/8" |
| 4 | NC02-50-0152 | 1 | SOCKET HEAD SCREW 5/8-11 X 1 3/4 |
| 5 | 49-30-9960 | 1 | SAFETY BOLT |
| 6 | NC01-94-0014 | 1 | HEX. LOCKNUT NF Z 9/16-18 |
| 7 | 49-21-0005 | 1 | CLAMPING STOPPER |
| 8 | NC02-22-0013 | 1 | WASHER ZINC 5/8 ID X 1 1/2 OD |
| 9 | NC02-32-0016 | 1 | LOCK WASHER ZINC 5/8" |
| 10 | NC01-29-0394 | 1 | HEX. BOLT GR5 NF ZINC 5/8-18 X 1 1/2" |

49-55-0005

| # | PART # | Qty | TITLE |
|----|--------------|-----|---------------------------------|
| 11 | 49-50-0005 | 1 | IMPELLER (RIGHT) |
| 12 | 49-38-0200 | 2 | IMPELLER BUSHING |
| 13 | NC01-69-0791 | 1 | GREASE FITTING 1/8 NPT STRAIGHT |

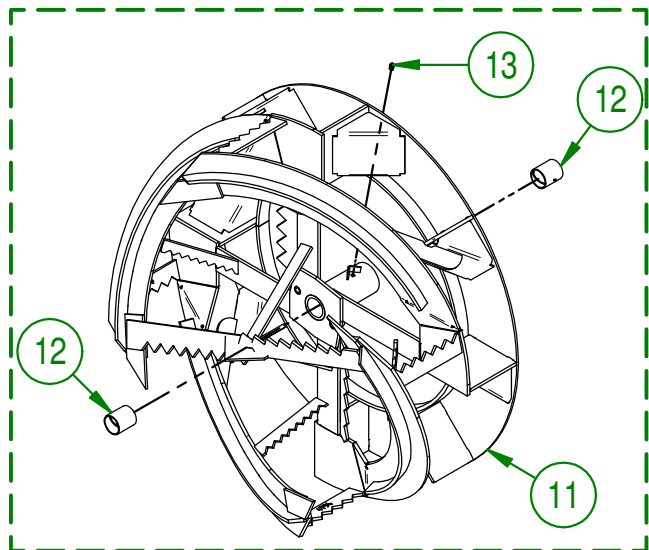
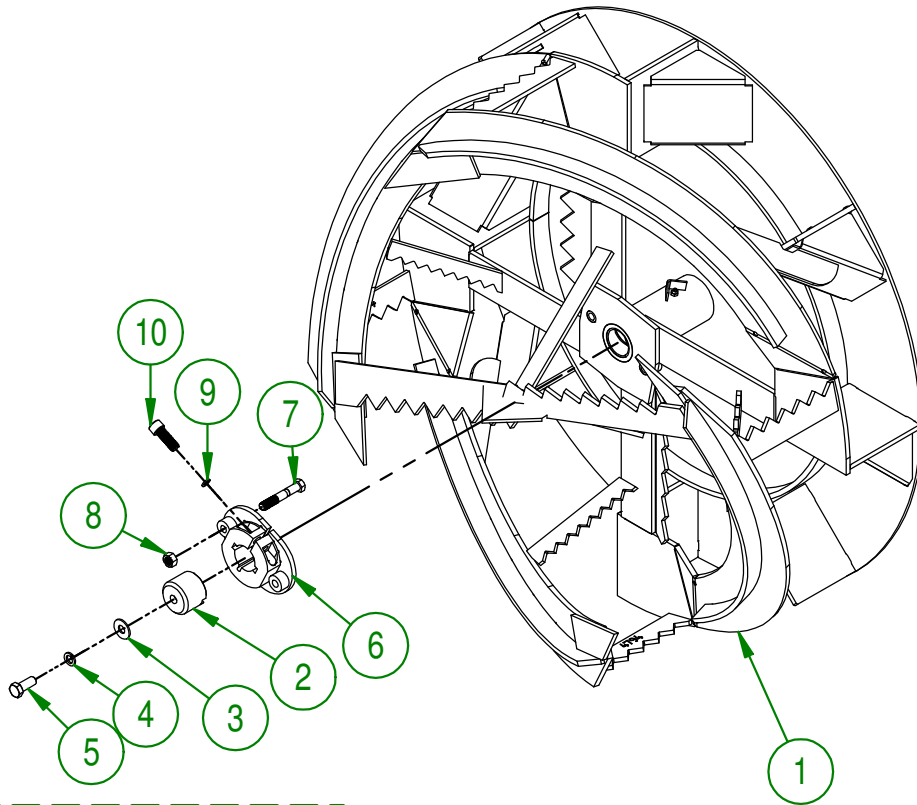


| | |
|-------------------------|---------------------------------|
| AGRIMETAL | |
| IMPELLER GROUP. (RIGHT) | |
| CREATION : 29/05/18 | ASSEMBLY : 49-57-0005 |
| REVISION : 29/05/18 | AUTHOR : J.KABWE Page 4 de 27 |

| # | PART # | Qty | TITLE |
|----|--------------|-----|---------------------------------------|
| 1 | 49-55-0006 | 1 | IMPELLER (LEFT) ASSY. |
| 2 | 49-21-0005 | 1 | CLAMPING STOPPER |
| 3 | NC02-22-0013 | 1 | WASHER ZINC 5/8 ID X 1 1/2 OD |
| 4 | NC02-32-0016 | 1 | LOCK WASHER ZINC 5/8" |
| 5 | NC01-29-0394 | 1 | HEX. BOLT GR5 NF ZINC 5/8-18 X 1 1/2" |
| 6 | 49-50-0545 | 1 | IMPELLER FLANGE |
| 7 | 49-30-9960 | 1 | SAFETY BOLT |
| 8 | NC01-94-0014 | 1 | HEX. LOCKNUT NF Z 9/16-18 |
| 9 | NC02-32-0012 | 1 | LOCK WASHER ZINC 3/8" |
| 10 | NC02-50-0152 | 1 | SOCKET HEAD SCREW 5/8-11 X 1 3/4 |

49-55-0006

| # | PART # | Qty | TITLE |
|----|--------------|-----|---------------------------------|
| 11 | 49-50-0006 | 1 | IMPELLER (LEFT) |
| 12 | 49-38-0200 | 2 | IMPELLER BUSHING |
| 13 | NC01-69-0791 | 1 | GREASE FITTING 1/8 NPT STRAIGHT |



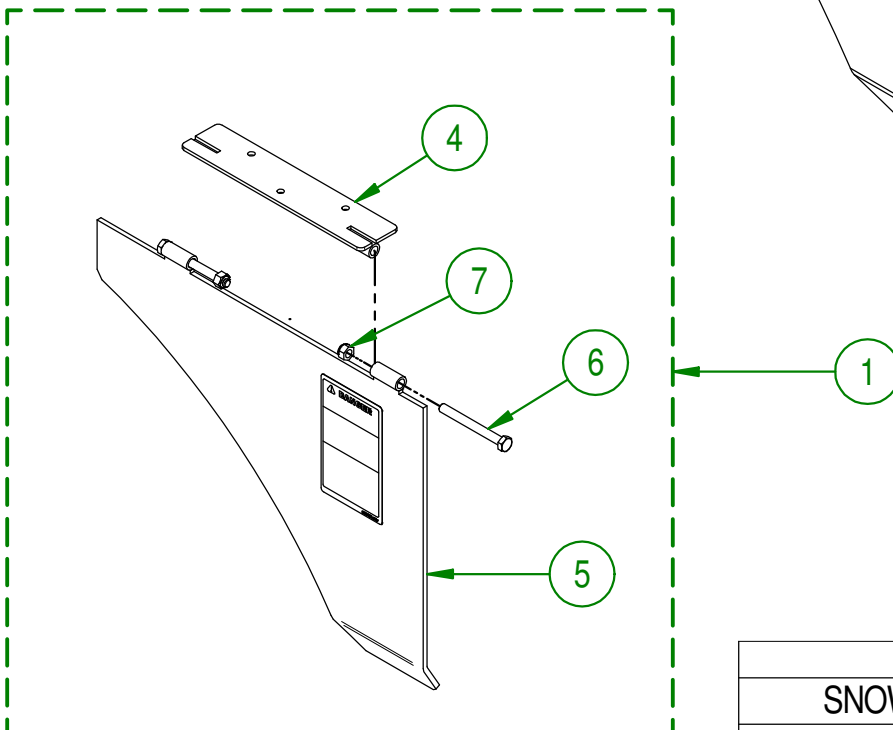
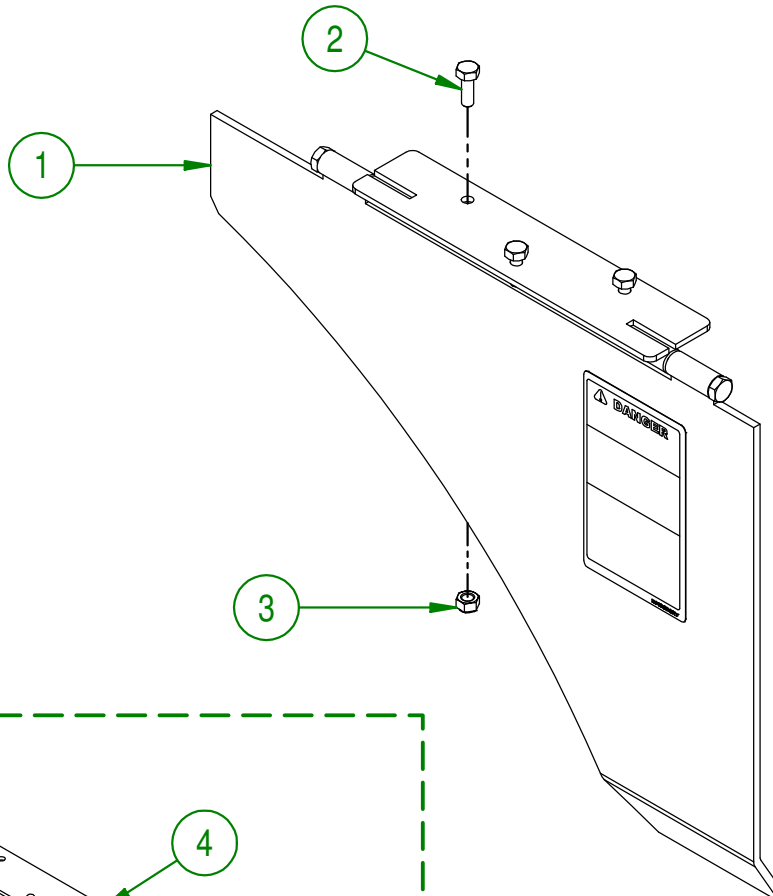
| | |
|-------------------------------|-------------------------------|
| AGRIMETAL | |
| IMPELLER GROUP. (LEFT) | |
| CREATION : 30/05/18 | ASSEMBLY : 49-57-0006 |
| REVISION : 30/05/18 | AUTHOR : J.KABWE Page 5 de 27 |

49-57-0090

| # | PART # | Qty | TITLE |
|---|--------------|-----|----------------------------------|
| 1 | 49-55-0090 | 1 | SNOW GUARD (OUTSIDE) RIGHT ASSY. |
| 2 | NC01-37-0004 | 3 | HEX. BOLT GR2 ZINC 1/4-28 X 3/4" |
| 3 | NC01-97-0004 | 3 | NYLON-INSERT LOCKNUT ZINC 1/4-28 |

49-55-0090

| # | PART # | Qty | TITLE |
|---|--------------|-----|--|
| 4 | 49-50-0595 | 1 | SNOW GUARD SUPPORT |
| 5 | 49-57-0094 | 1 | SNOW GUARD (OUTSIDE RIGHT) STICKER INCLUDED GROUP. |
| 6 | NC01-17-0068 | 2 | HEX. BOLT GR2 NC ZINC 5/16-18 X 3" |
| 7 | NC01-96-0010 | 2 | NYLON NUT HEX. ZINC 5/16-18 |



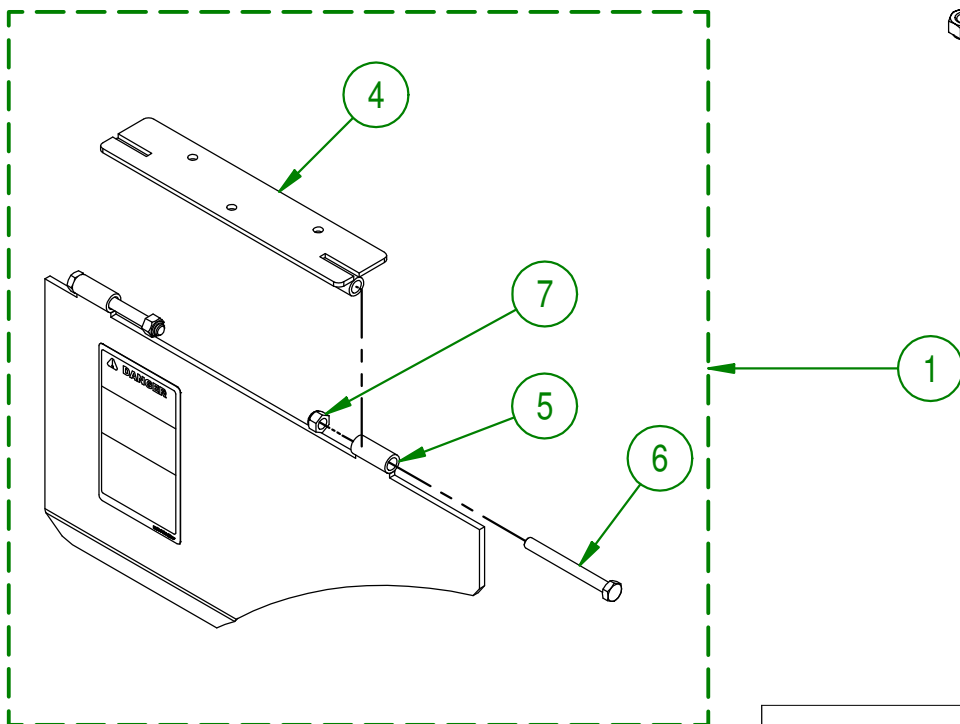
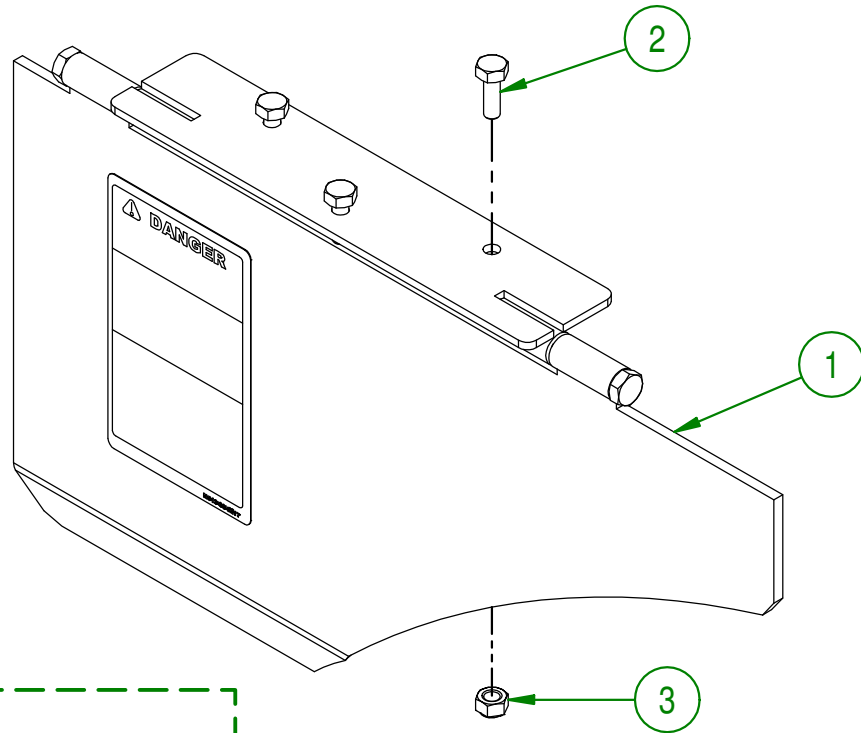
| | |
|-----------------------------------|---------------------------------|
| AGRIMETAL | |
| SNOW GUARD GROUP. (OUTSIDE RIGHT) | |
| CREATION : 04/06/18 | ASSEMBLY : 49-57-0090 |
| REVISION : 04/06/18 | AUTHOR : J.KABWE Page 6 de 27 |

49-57-0092

| # | PART # | Qty | TITLE |
|---|--------------|-----|----------------------------------|
| 1 | 49-55-0092 | 1 | SNOW GUARD (INSIDE) RIGHT ASSY. |
| 2 | NC01-37-0004 | 3 | HEX. BOLT GR2 ZINC 1/4-28 X 3/4" |
| 3 | NC01-97-0004 | 3 | NYLON-INSERT LOCKNUT ZINC 1/4-28 |

49-55-0092

| # | PART # | Qty | TITLE |
|---|--------------|-----|--|
| 4 | 49-50-0595 | 1 | SNOW GUARD SUPPORT |
| 5 | 49-57-0096 | 1 | SNOW GUARD (INSIDE RIGHT) STICKER INCLUDED |
| 6 | NC01-17-0068 | 2 | HEX. BOLT GR2 NC ZINC 5/16-18 X 3" |
| 7 | NC01-96-0010 | 2 | NYLON NUT HEX. ZINC 5/16-18 |



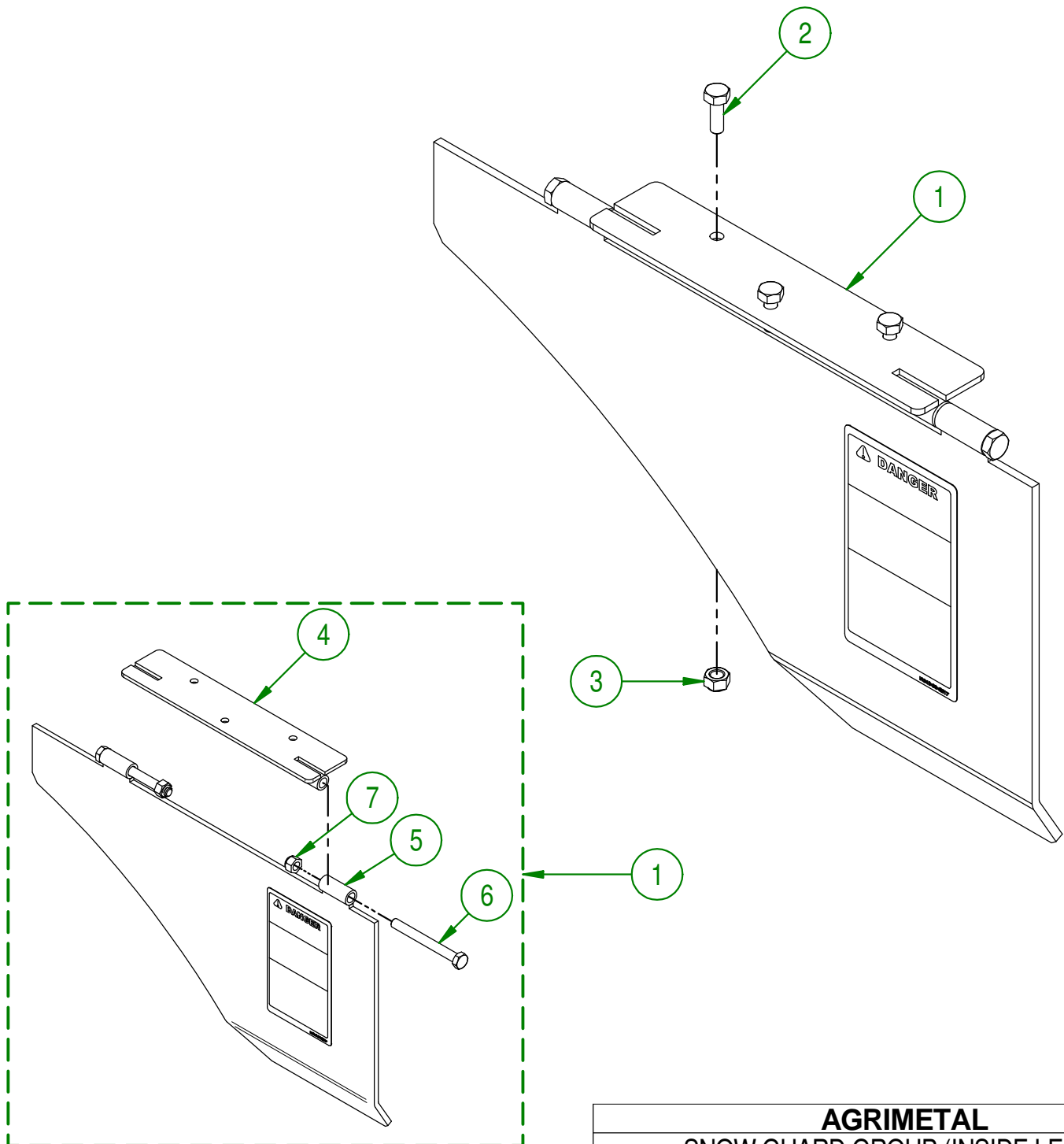
| | |
|----------------------------------|---------------------------------|
| AGRIMETAL | |
| SNOW GUARD GROUP. (INSIDE RIGHT) | |
| CREATION : 04/06/18 | ASSEMBLY : 49-57-0092 |
| REVISION : 04/06/18 | AUTHOR : J.KABWE Page 7 de 27 |

49-57-0093

| # | PART # | Qty | TITLE |
|---|--------------|-----|----------------------------------|
| 1 | 49-55-0093 | 1 | SNOW GUARD (INSIDE) LEFT ASSY. |
| 2 | NC01-37-0004 | 3 | HEX. BOLT GR2 ZINC 1/4-28 X 3/4" |
| 3 | NC01-97-0004 | 3 | NYLON-INSERT LOCKNUT ZINC 1/4-28 |

49-55-0093

| # | PART # | Qty | TITLE |
|---|--------------|-----|---|
| 4 | 49-50-0595 | 1 | SNOW GUARD SUPPORT |
| 5 | 49-57-0097 | 1 | SNOW GUARD GROUP. (INSIDE LEFT) STICKER INCL. |
| 6 | NC01-17-0068 | 2 | HEX. BOLT GR2 NC ZINC 5/16-18 X 3" |
| 7 | NC01-96-0010 | 2 | NYLON NUT HEX. ZINC 5/16-18 |



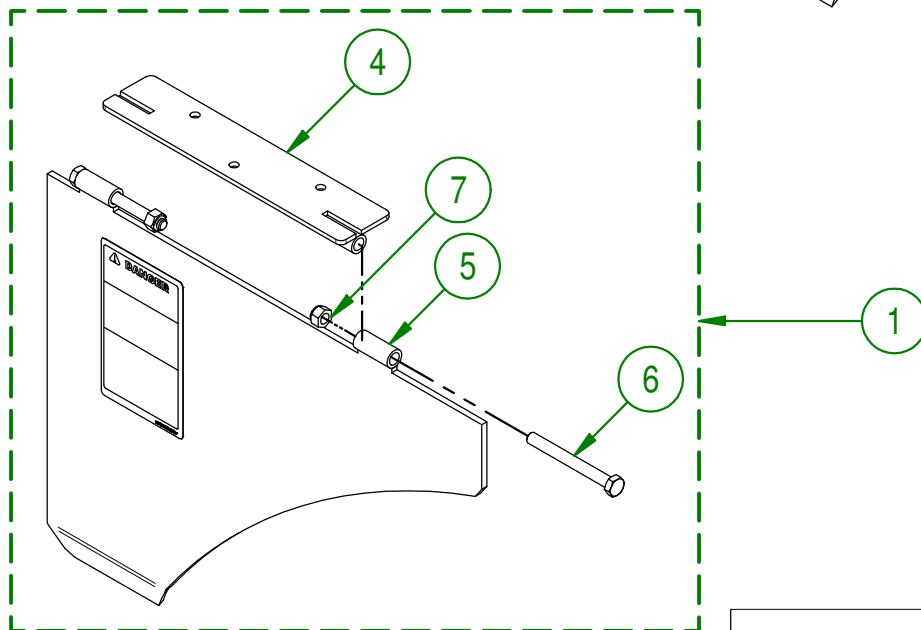
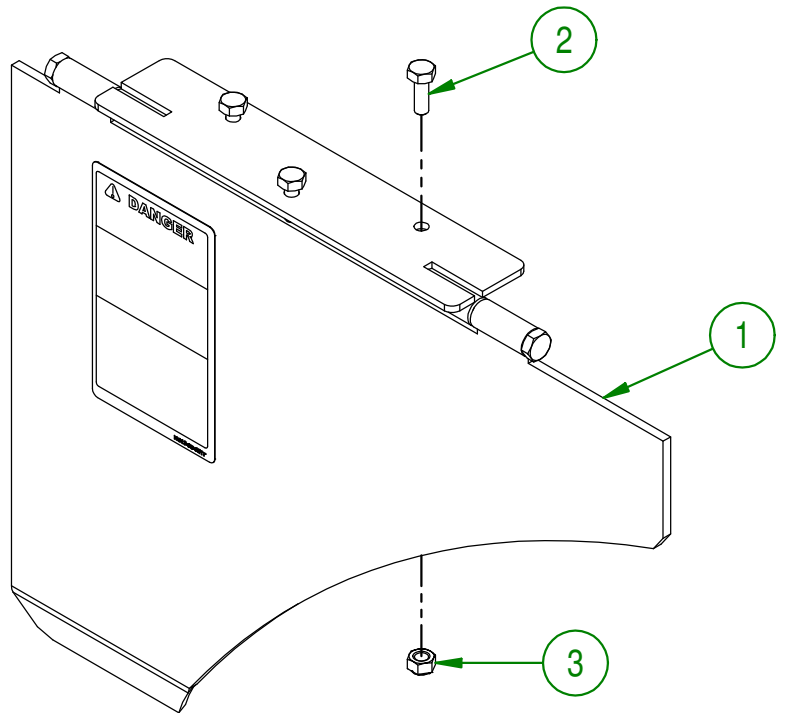
| | |
|---------------------------------------|------------------------------------|
| AGRIMETAL | |
| SNOW GUARD GROUP (INSIDE LEFT) | |
| CREATION : 04/06/18 | ASSEMBLY : 49-57-0093 |
| REVISION : 04/06/18 | AUTHOR : J.KABWE Page 8 de 27 |

49-57-0091

| # | PART # | Qty | TITLE |
|---|--------------|-----|----------------------------------|
| 1 | 49-55-0091 | 1 | SNOW GUARD (OUTSIDE) LEFT ASSY. |
| 2 | NC01-37-0004 | 3 | HEX. BOLT GR2 ZINC 1/4-28 X 3/4" |
| 3 | NC01-97-0004 | 3 | NYLON-INSERT LOCKNUT ZINC 1/4-28 |

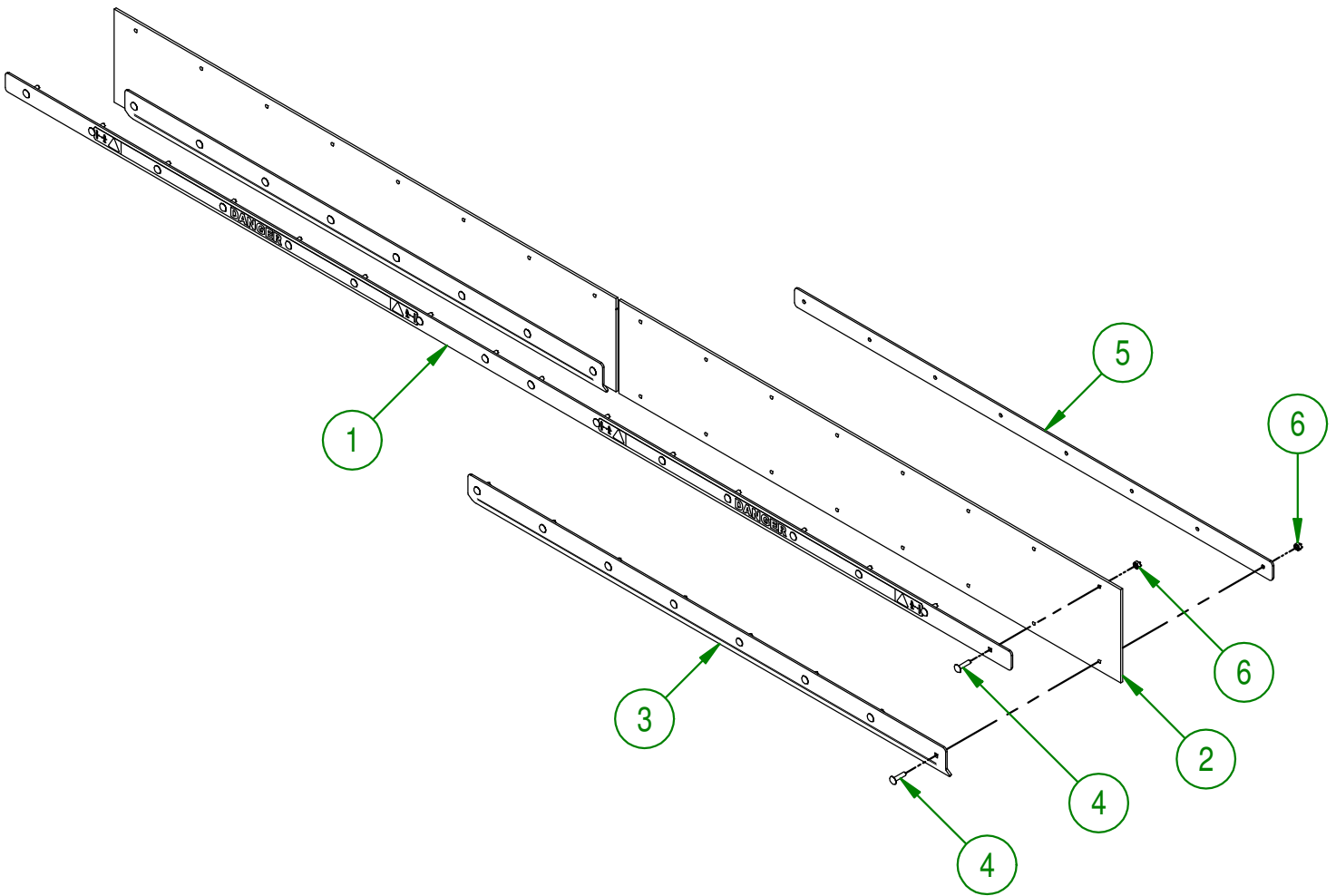
49-55-0091

| # | PART # | Qty | TITLE |
|---|--------------|-----|--|
| 4 | 49-50-0595 | 1 | SNOW GUARD SUPPORT |
| 5 | 49-57-0095 | 1 | SNOW GUARD (OUTSIDE LEFT) STICKER INCLUDED |
| 6 | NC01-17-0068 | 2 | HEX. BOLT GR2 NC ZINC 5/16-18 X 3" |
| 7 | NC01-96-0010 | 2 | NYLON NUT HEX. ZINC 5/16-18 |



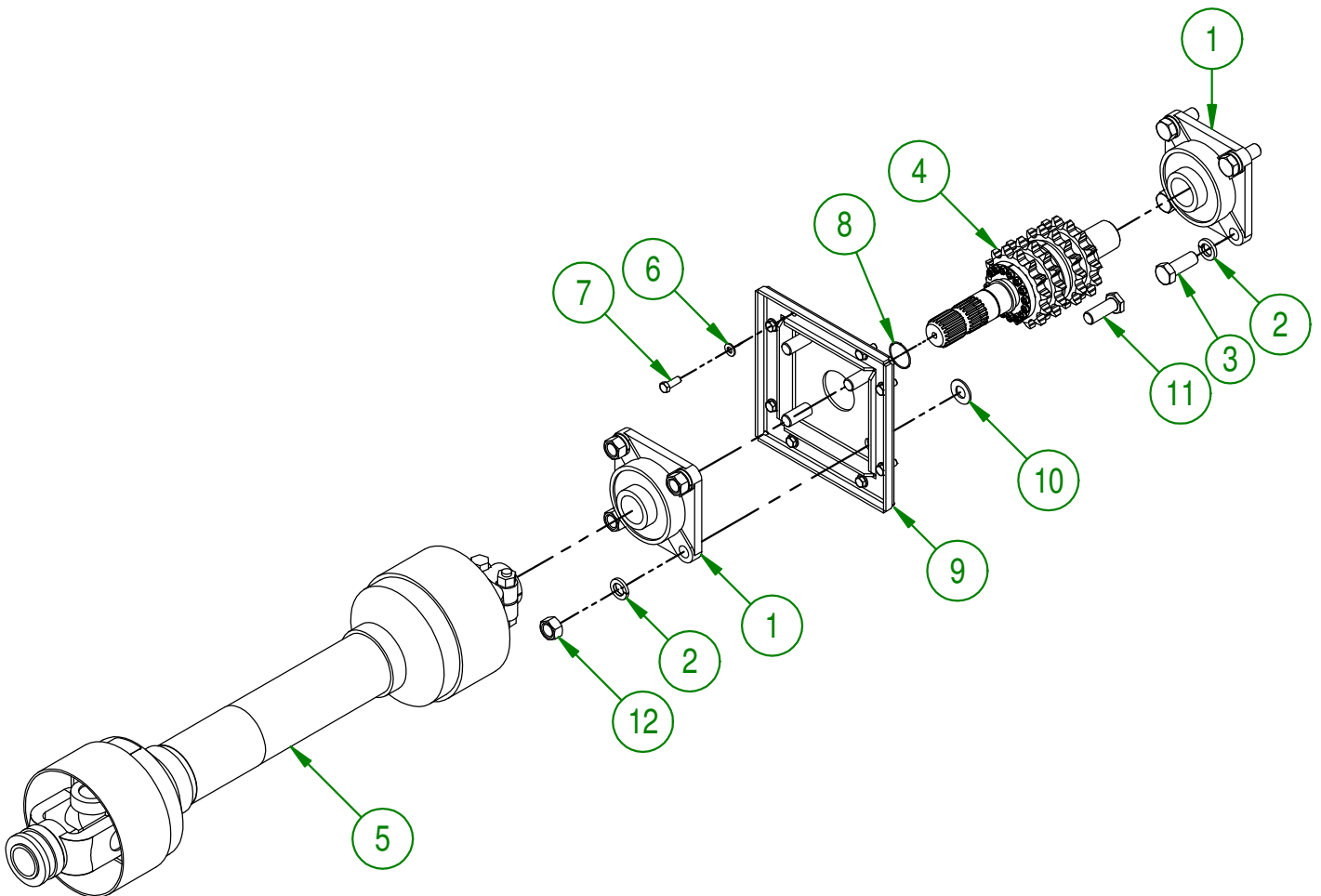
| | |
|--|---------------------------------|
| AGRIMETAL | |
| SNOW GUARD GROUP (OUTSIDE LEFT) | |
| CREATION : 04/06/18 | ASSEMBLY : 49-57-0091 |
| REVISION : 04/06/18 | AUTHOR : J.KABWE Page 9 de 27 |

| # | PART # | Qty | TITLE |
|---|--------------|-----|----------------------------------|
| 1 | 49-01-1000 | 1 | SNOW GUARD REINFORCING |
| 2 | NC13-15-0092 | 2 | SNOW GUARD |
| 3 | 49-01-1010 | 2 | SNOW GUARD BOTTOM |
| 4 | NC01-04-0005 | 32 | CARR. BOLT GR2 ZINC 1/4-20 X 1" |
| 5 | 49-01-1005 | 2 | SNOW GUARD BOTTOM |
| 6 | NC01-96-0009 | 32 | NYLON-INSERT LOCKNUT ZINC 1/4-20 |



| | |
|--------------------------|----------------------------------|
| AGRIMETAL | |
| SNOW GUARD GROUP. | |
| CREATION : 01/06/18 | ASSEMBLY : 49-57-0025 |
| REVISION : 10/07/18 | AUTHOR : J.KABWE Page 10 de 27 |

| # | PART # | Qty | TITLE |
|----|--------------|-----|---|
| 1 | NC14-75-0027 | 2 | MOUNTED BALL BEARING WITH 4 BOLTS UCF309-28 3/4" ID |
| 2 | NC02-32-0017 | 8 | LOCK WASHER ZINC 3/4" |
| 3 | NC01-17-0467 | 4 | HEX. BOLT GR2 ZINC 3/4-10 X 2" |
| 4 | 49-55-0550 | 1 | PTO SHAFT & BEARING UCF309-28 ASSY. |
| 5 | 49-34-0030 | 1 | PTO SHAFT T90 1000RPM |
| 6 | 49-22-1810 | 8 | WASHER |
| 7 | NC01-17-0114 | 8 | HEX. BOLT GR2 ZINC 3/8-16 X 1" |
| 8 | NC13-15-0098 | 1 | O-RING 1/16 XI/2 X 1 5/8 |
| 9 | 49-50-0600 | 1 | ACCESS DOOR BEARING SUPPORT (PTO)(OIL) |
| 10 | 49-22-1405 | 4 | WASHER |
| 11 | 49-30-9955 | 4 | BALL BEARING BOLT |
| 12 | NC02-07-0023 | 4 | HEX. NUT ZINC 3/4-10 |



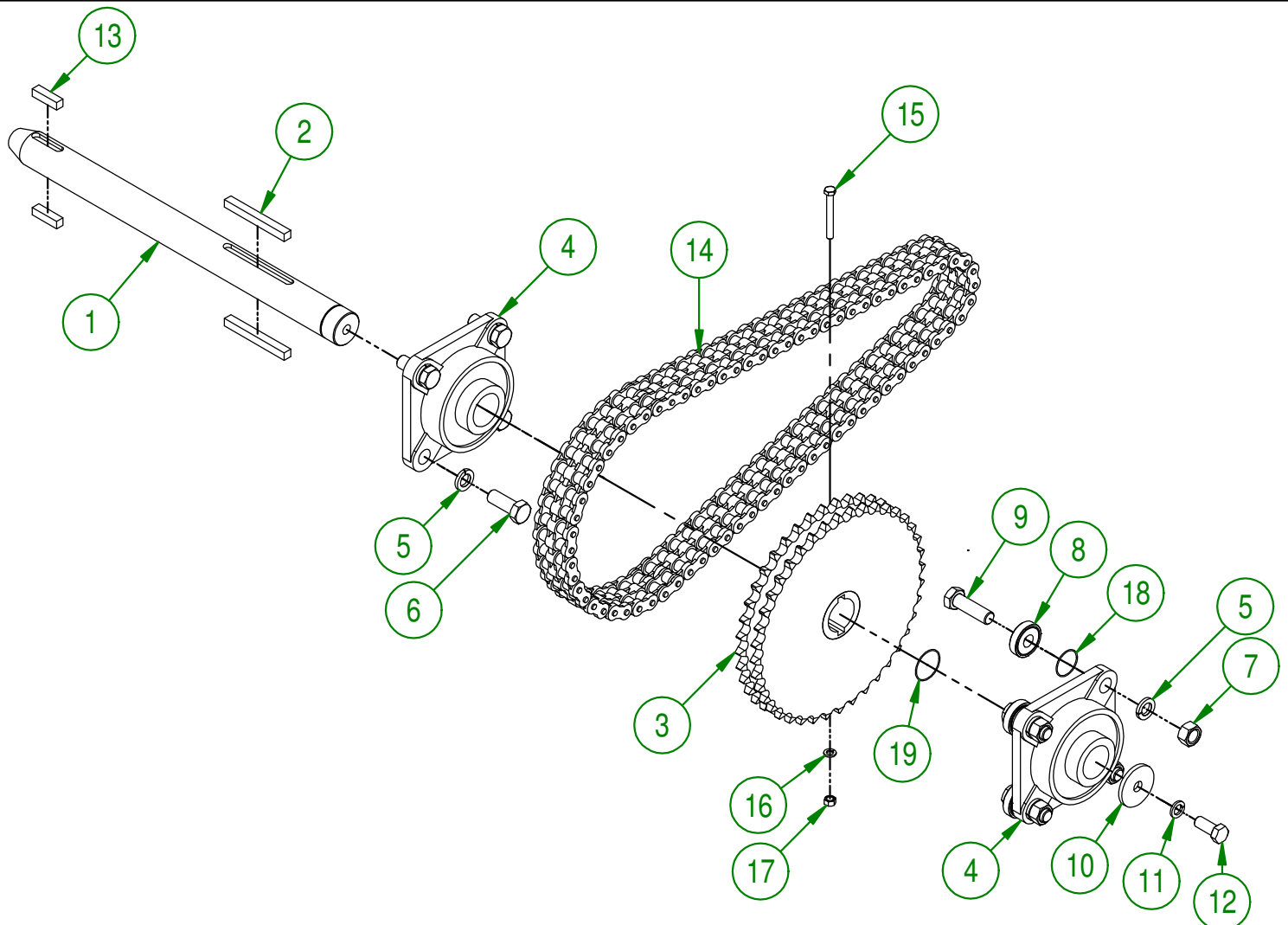
AGRIMETAL
DRIVE GROUP (PTO)

CREATION : 30/05/18
 REVISION : 16/08/18

ASSEMBLY : **49-57-0050**

AUTHOR : J.KABWE | Page 11 de 27

| # | PART # | Qty | TITLE |
|----|--------------|-----|---|
| 1 | 49-20-0056 | 1 | IMPELLER SHAFT |
| 2 | 49-41-0900 | 2 | IMPELLER SPROCKET KEY WAY |
| 3 | 49-50-0065 | 1 | IMPELLER SPROCKET SHAFT (DOUBLE) |
| 4 | NC14-75-0028 | 2 | MOUNTED BALL BEARING WITH 4 BOLTS UCF311-32 2" ID |
| 5 | NC02-32-0017 | 8 | LOCK WASHER ZINC 3/4" |
| 6 | NC01-17-0467 | 4 | HEX. BOLT GR2 ZINC 3/4-10 X 2" |
| 7 | NC02-07-0023 | 4 | HEX. NUT ZINC 3/4-10 |
| 8 | 49-21-0000 | 4 | BEARING BOLT BUSHING |
| 9 | NC01-17-0469 | 4 | BOLT GR2 NC ZINC 3/4-10 X 2 1/2" |
| 10 | 49-13-2610 | 1 | WASHER |
| 11 | NC02-32-0016 | 1 | LOCK WASHER ZINC 5/8" |
| 12 | NC01-29-0394 | 1 | HEX. BOLT GR5 NF ZINC 5/8-18 X 1 1/2" |
| 13 | 49-41-0905 | 2 | IMPELLER FLANGE KEY WAY |
| 14 | 49-37-1005 | 1 | CHAIN #80 DOUBLE X 74" |
| 15 | NC01-17-0122 | 2 | HEX. BOLT GR2 ZINC 3/8-16 X 3" |
| 16 | NC02-32-0012 | 2 | LOCK WASHER ZINC 3/8" |
| 17 | NC02-07-0018 | 2 | HEX. NUT ZINC 3/8-16 |
| 18 | NC13-15-0098 | 4 | O-RING 1/16 X 1/2 X 1 5/8 |
| 19 | NC13-15-0100 | 1 | O-RING 1/16 X 1 3/4 X 1 7/8 |

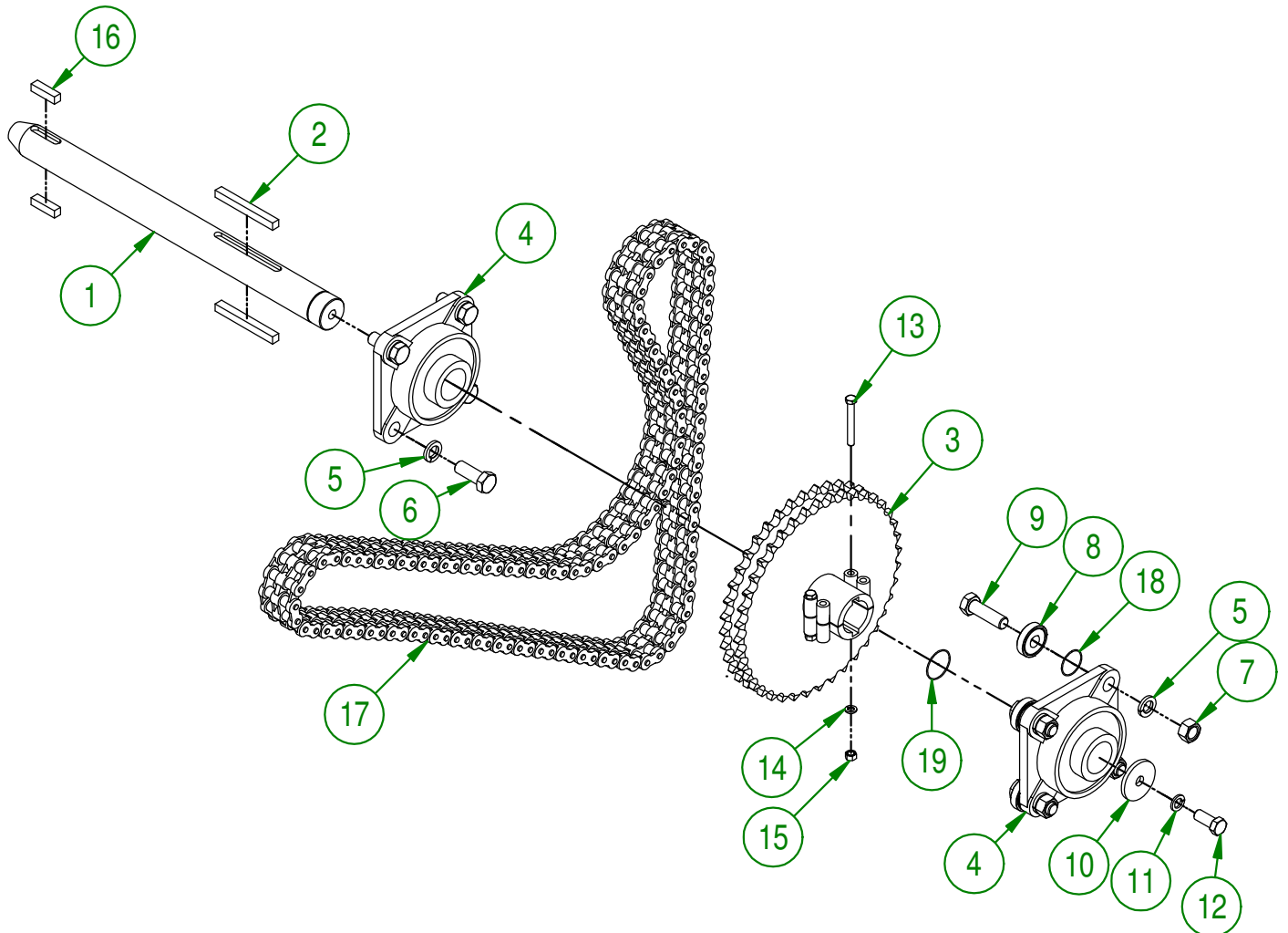
**AGRIMETAL****IMPELLER DRIVE GROUP. (RIGHT)**

CREATION : 31/05/18
 REVISION : 01/06/18

ASSEMBLY : **49-57-0040**

AUTHOR : J.KABWE Page 12 de 27

| # | PART # | Qty | TITLE |
|----|--------------|-----|---|
| 1 | 49-20-0056 | 1 | IMPELLER SHAFT |
| 2 | 49-41-0900 | 2 | IMPELLER SPROCKET KEY WAY |
| 3 | 49-50-0065 | 1 | IMPELLER SPROCKET SHAFT (DOUBLE) |
| 4 | NC14-75-0028 | 2 | MOUNTED BALL BEARING WITH 4 BOLTS UCF311-32 2" ID |
| 5 | NC02-32-0017 | 8 | LOCK WASHER ZINC 3/4" |
| 6 | NC01-17-0467 | 4 | HEX. BOLT GR2 ZINC 3/4-10 X 2" |
| 7 | NC02-07-0023 | 4 | HEX. NUT ZINC 3/4-10 |
| 8 | 49-21-0000 | 4 | BEARING BOLT BUSHING |
| 9 | NC01-17-0469 | 4 | BOLT GR2 NC ZINC 3/4-10 X 2 1/2" |
| 10 | 49-13-2610 | 1 | WASHER |
| 11 | NC02-32-0016 | 1 | LOCK WASHER ZINC 5/8" |
| 12 | NC01-29-0394 | 1 | HEX. BOLT GR5 NF ZINC 5/8-18 X 1 1/2" |
| 13 | NC01-17-0122 | 2 | HEX. BOLT GR2 ZINC 3/8-16 X 3" |
| 14 | NC02-32-0012 | 2 | LOCK WASHER ZINC 3/8" |
| 15 | NC02-07-0018 | 2 | HEX. NUT ZINC 3/8-16 |
| 16 | 49-41-0905 | 2 | IMPELLER FLANGE KEY WAY |
| 17 | 49-37-1000 | 1 | CHAIN #80 DOUBLE X 119 1/2" |
| 18 | NC13-15-0098 | 4 | O-RING 1/16 X 1/2 X 1 5/8 |
| 19 | NC13-15-0100 | 1 | O-RING 1/16 X 1 3/4 X 1 7/8 |

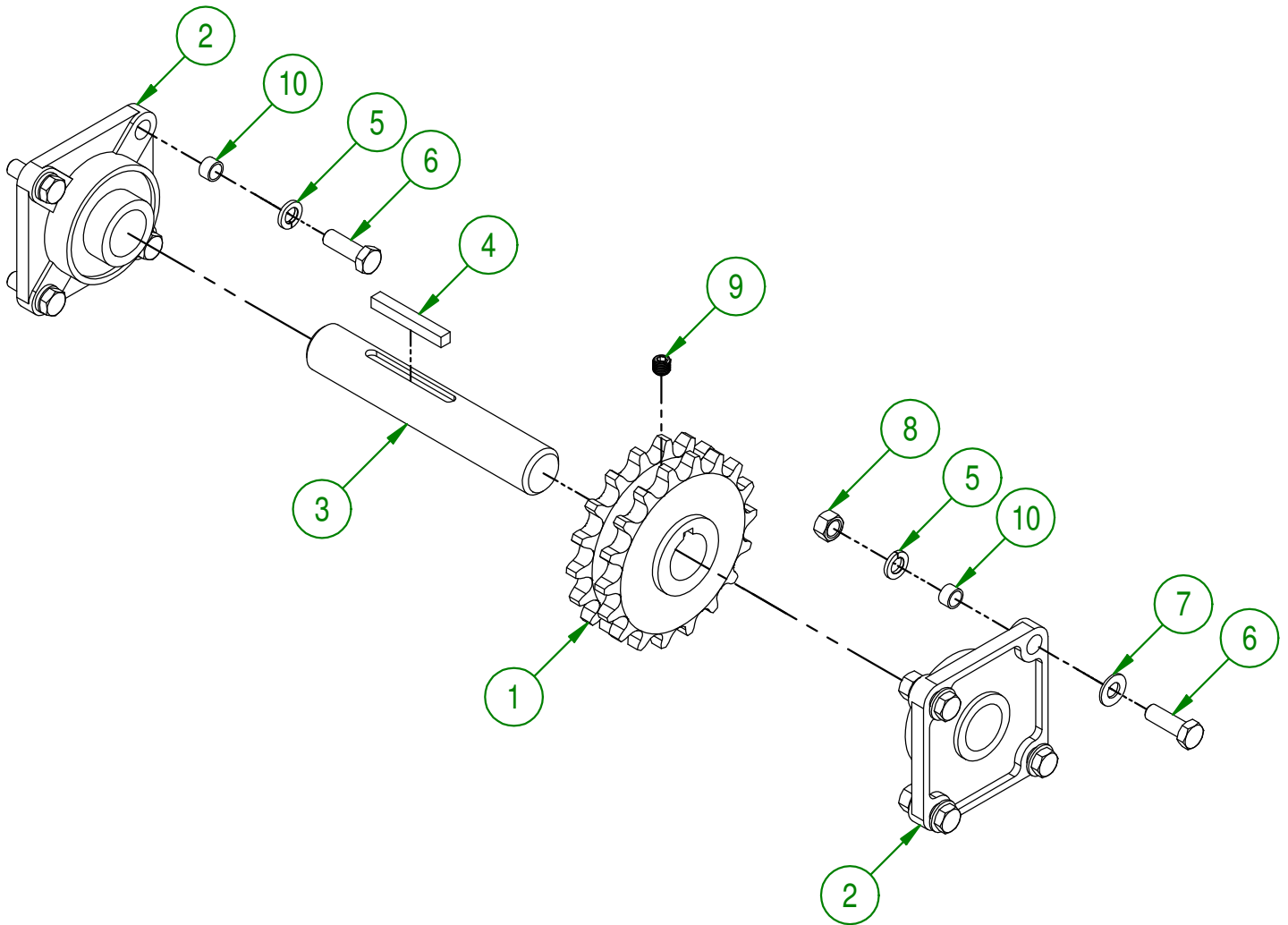
**AGRIMETAL****IMPELLER DRIVE GROUP. (LEFT)**

CREATION : 31/05/18
 REVISION : 01/06/18

ASSEMBLY : **49-57-0045**

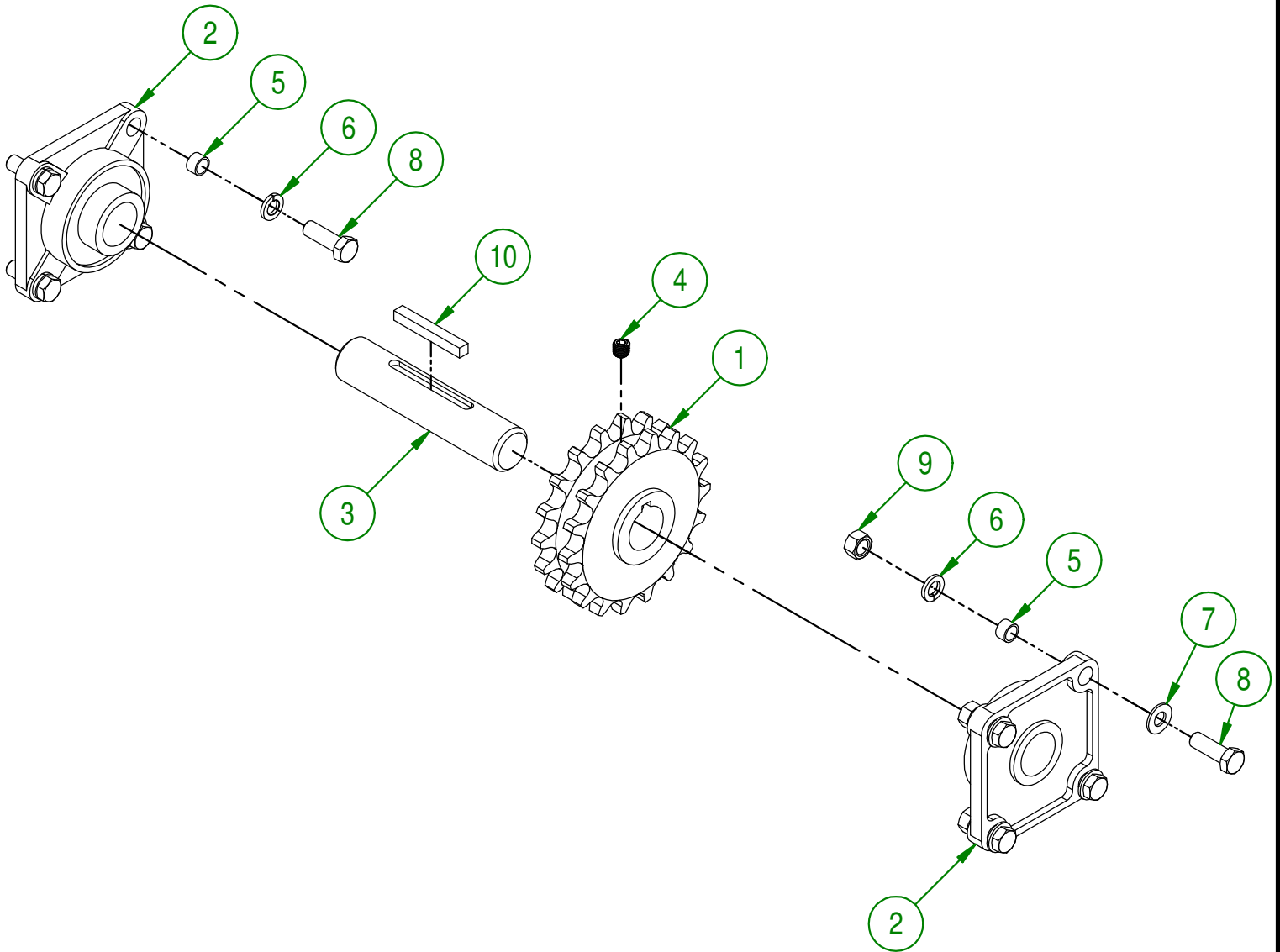
AUTHOR : J.KABWE Page 13 de 27

| # | PART # | Qty | TITLE |
|----|--------------|-----|---|
| 1 | 49-50-0524 | 1 | DOUBLE AUXILIARY SPROCKET |
| 2 | NC14-75-0158 | 2 | MOUNTED BALL BEARING WITH 4 BOLTS UCF208-24 1 1/2" ID |
| 3 | 49-13-2001 | 1 | TOP AUXILIARY SPROCKET SHAFT |
| 4 | 44-41-0905 | 1 | IMPELLER SHAFT KEY WAY |
| 5 | NC02-32-0014 | 8 | LOCK WASHER ZINC 1/2" |
| 6 | NC01-29-0249 | 8 | HEX. BOLT GR5 NF ZINC 1/2-20 X 1 1/2" |
| 7 | 49-22-1805 | 4 | WASHER |
| 8 | NC02-10-0020 | 4 | HEX. NUT ZINC 1/2-20 |
| 9 | NC02-44-1142 | 3 | SET SCREW 1/2-20 X 1/2" |
| 10 | NC13-80-0061 | 8 | PAD STEEL POWDER 1/2" X 5/8" X 3/8" |



| | |
|--|--------------------------------|
| AGRIMETAL | |
| AUXILIARY SPROCKET GROUP. (TOP) | |
| CREATION : 31/05/18 | ASSEMBLY : 49-57-0055 |
| REVISION : 01/06/18 | AUTHOR : J.KABWE Page 14 de 27 |

| # | PART # | Qty | TITLE |
|----|--------------|-----|---|
| 1 | 49-50-0524 | 1 | DOUBLE AUXILIARY SPROCKET |
| 2 | NC14-75-0158 | 2 | MOUNTED BALL BEARING WITH 4 BOLTS UCF208-24 1 1/2" ID |
| 3 | 49-13-2004 | 1 | BOTTOM AUXILIARY SPROCKET SHAFT |
| 4 | NC02-44-1142 | 3 | SET SCREW 1/2-20 X 1/2" |
| 5 | NC13-80-0061 | 8 | PAD STEEL POWDER 1/2" X 5/8" X 3/8" |
| 6 | NC02-32-0014 | 8 | LOCK WASHER ZINC 1/2" |
| 7 | 49-22-1805 | 4 | WASHER |
| 8 | NC01-29-0249 | 8 | HEX. BOLT GR5 NF ZINC 1/2-20 X 1 1/2" |
| 9 | NC02-10-0020 | 4 | HEX. NUT ZINC 1/2-20 |
| 10 | 44-41-0905 | 1 | IMPELLER SHAFT KEY WAY |

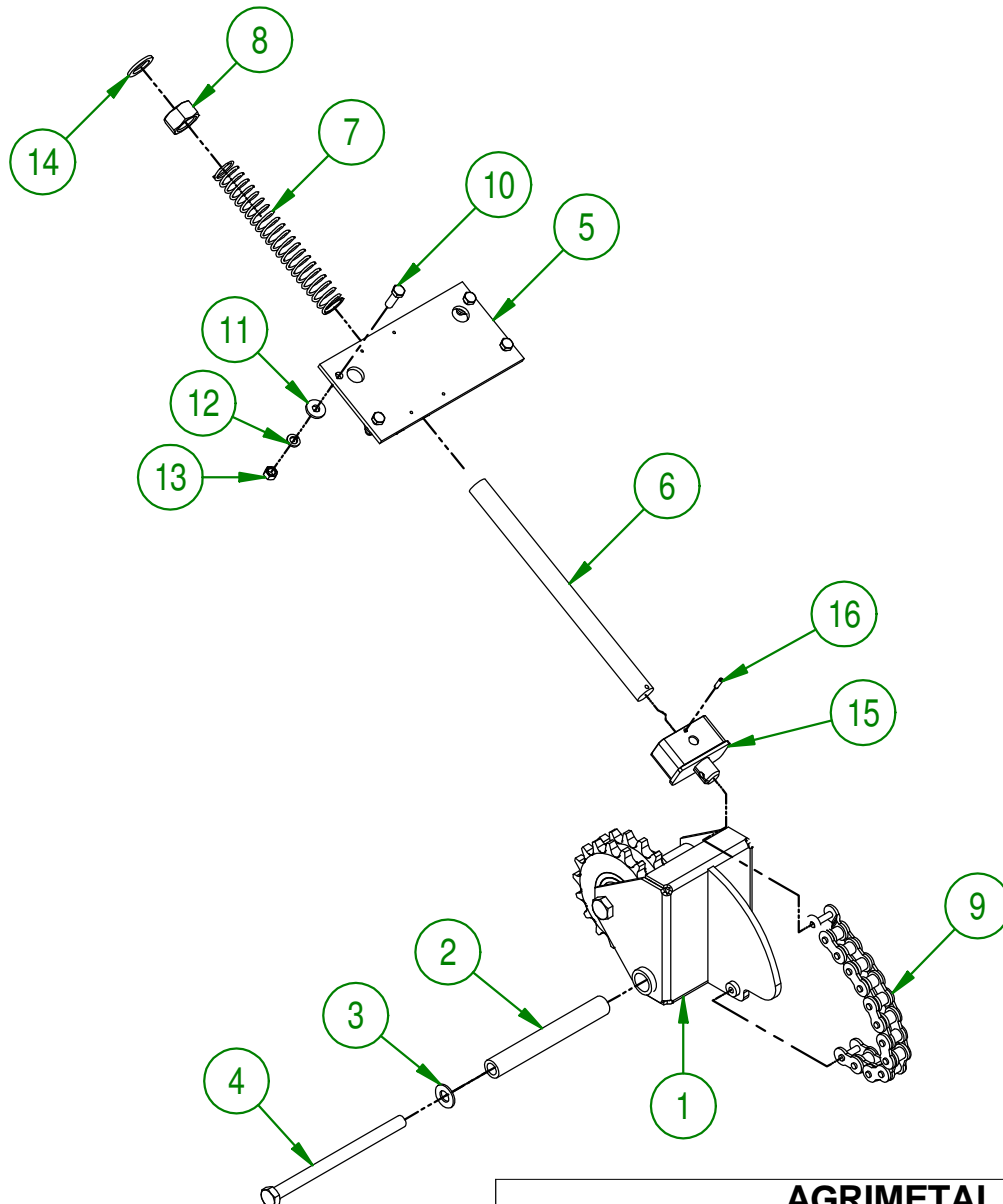
**AGRIMETAL****AUXILIARY SPROCKET GROUP. (BOTTOM)**

CREATION : 31/05/18
 REVISION : 01/06/18

ASSEMBLY : **49-57-0056**

AUTHOR : J.KABWE Page 15 de 27

| # | PART # | Qty | TITLE |
|----|--------------|-----|--|
| 1 | 49-55-0517 | 1 | CHAIN TIGHTENER (OIL) (RIGHT) ASSY. |
| 2 | 49-09-1230 | 1 | CHAIN TIGHTENER PIVOT |
| 3 | 49-22-1400 | 1 | WASHER |
| 4 | NC01-33-0424 | 1 | HEX. BOLT GR8 NC ZINC 5/8-11 X 9" LG |
| 5 | 49-50-0525 | 1 | CHAIN TIGHTENER STOPPER " WITH PLATE" |
| 6 | 49-31-0405 | 1 | 1"-14 THREAD ROD |
| 7 | NC13-85-0048 | 1 | COMP. SPRING .120" WIRE X 1.030" ID X 9" |
| 8 | NC02-10-0025 | 1 | HEX NUT 1-14 |
| 9 | 49-37-1007 | 1 | CHAIN #80 HD X 6" + 1 (1/2 LINK) (MTC+ 4794) |
| 10 | NC01-37-0115 | 4 | HEX. BOLT GR8 NF ZINC 3/8-24 X 1 1/4" |
| 11 | 21-01-0950 | 4 | FLAT WASHER 10GA 1.005" DIA X 25/64" |
| 12 | NC02-32-0012 | 4 | LOCK WASHER ZINC 3/8" |
| 13 | NC02-07-0018 | 4 | HEX. NUT ZINC 3/8-16 |
| 14 | NC02-18-8143 | 1 | BLACK SHIM RINGS .134" X 1" X 1/2" |
| 15 | 49-50-0110 | 1 | TIGHTENER SPRING BOX |
| 16 | NC01-69-0415 | 1 | SPRING PIN 3/16" X 3/4" |

**AGRIMETAL****SPROCKET CHAIN TIGHTENER GROUP. (RIGHT)**

CREATION : 01/06/18
 REVISION : 10/07/18

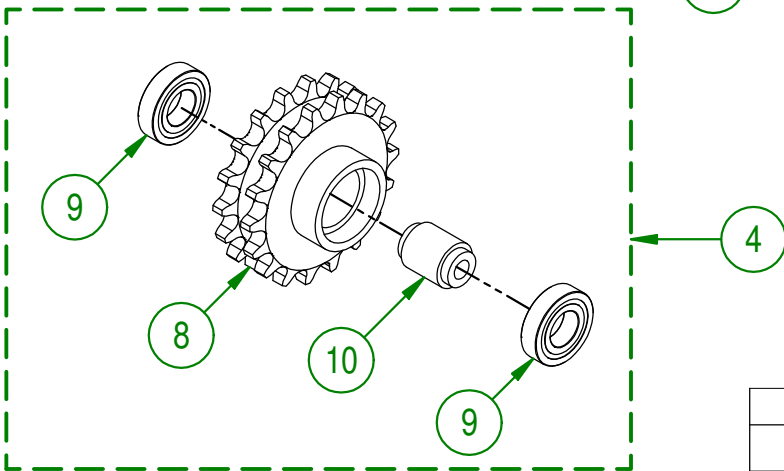
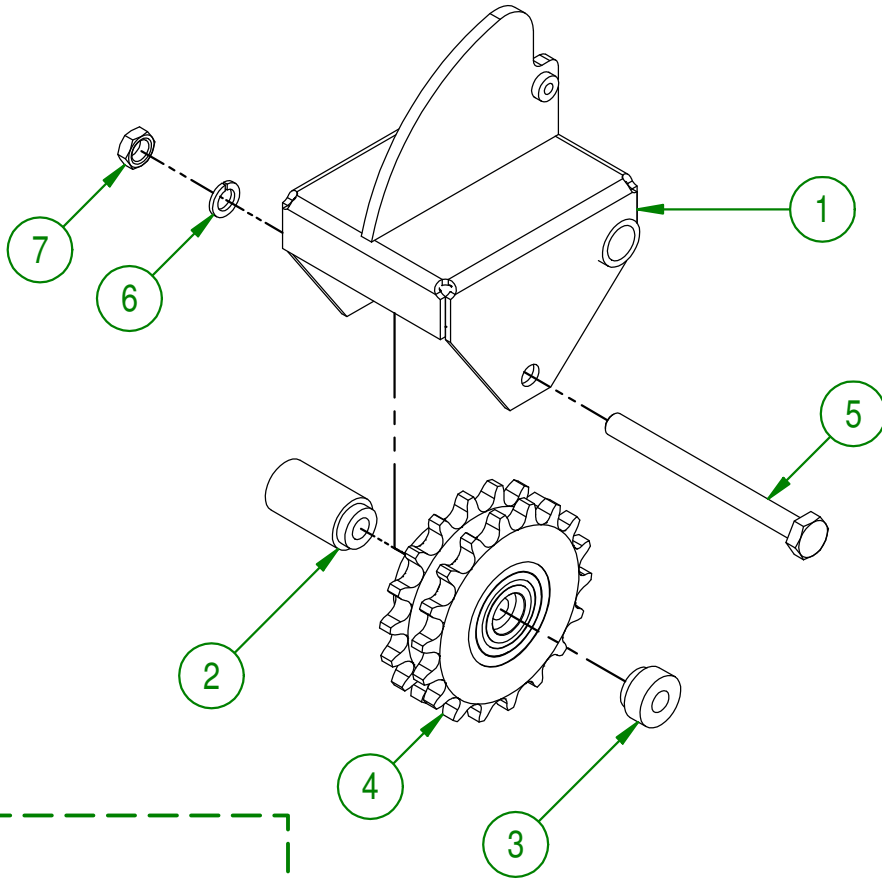
ASSEMBLY : **49-57-0060**
 AUTHOR : J.KABWE Page 16 de 27

49-55-0517

| # | PART # | Qty | TITLE |
|---|--------------|-----|--|
| 1 | 49-50-0020 | 1 | CHAIN TIGHTENER (OIL) |
| 2 | 49-13-2010 | 1 | TIGHTENER SPROCKET SHAFT (LONG) |
| 3 | 49-13-2005 | 1 | TIGHTENER SPROCKET SHAFT (SHORT) |
| 4 | 49-55-0521 | 1 | SPROCKET 80X18 & BEARING 6206 XI 3/16" ID (DOUBLE TIGHTENER) |
| 5 | NC01-25-0452 | 1 | HEX. BOLT GR5 NC ZINC 5/8-11 X 7" |
| 6 | NC02-32-0016 | 1 | LOCK WASHER ZINC 5/8" |
| 7 | NC02-01-0006 | 1 | HEX. NUT 5/8-11 |

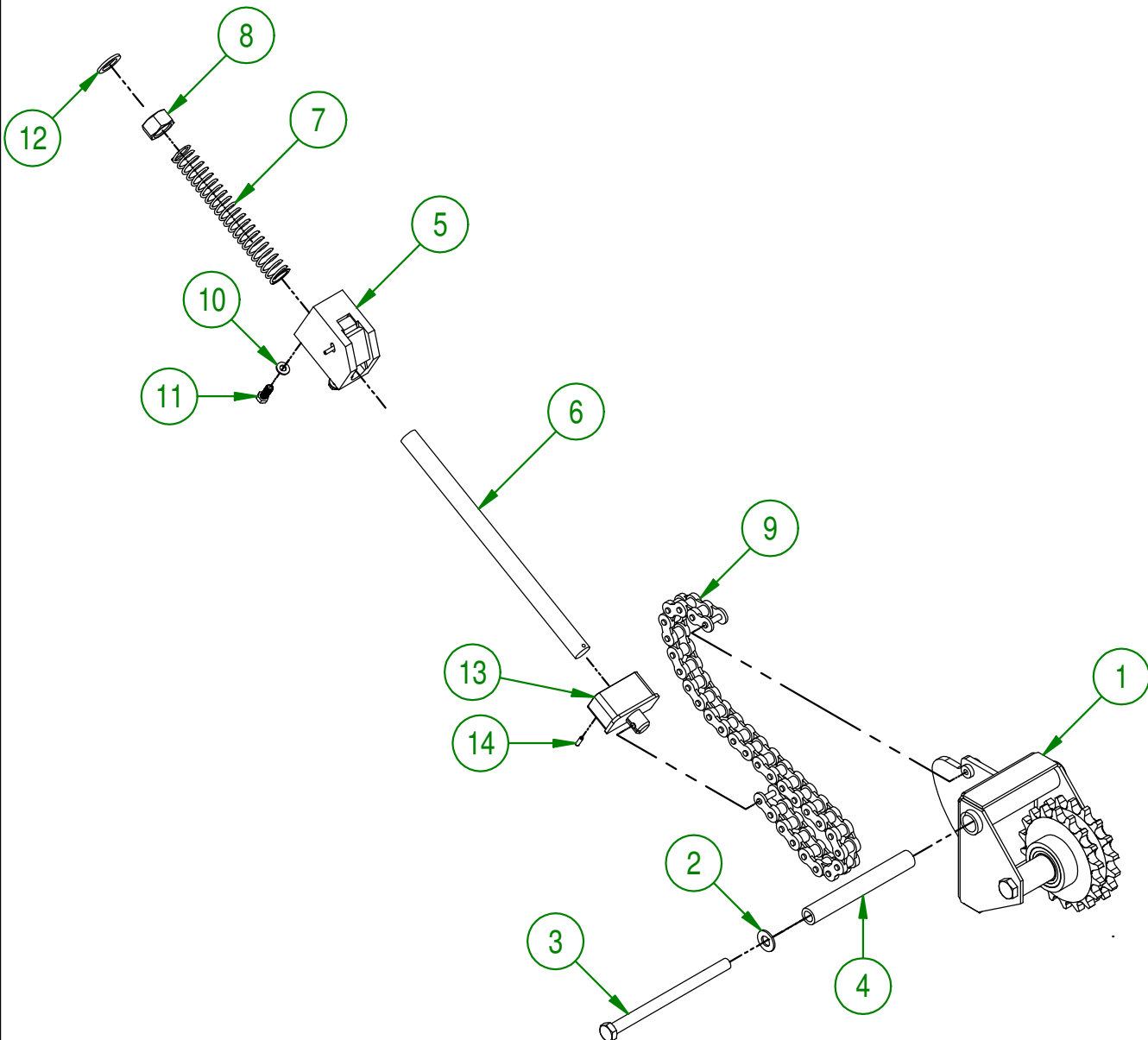
49-55-0521

| # | PART # | Qty | TITLE |
|----|--------------|-----|-----------------------------------|
| 8 | 49-50-0521 | 1 | TIGHTENER SPROCKET (DOUBLE) |
| 9 | NC14-75-0091 | 2 | 6206 ZZ BEARING |
| 10 | 49-13-2007 | 1 | TIGHTENER SPROCKET SHAFT (MIDDLE) |



| | |
|-------------------------------------|--------------------------------|
| AGRIMETAL | |
| CHAIN TIGHTENER (OIL) (RIGHT) ASSY. | |
| CREATION : 01/06/18 | ASSEMBLY : 49-55-0517 |
| REVISION : 01/06/18 | AUTHOR : J.KABWE Page 17 de 27 |

| # | PART # | Qty | TITLE |
|----|--------------|-----|--|
| 1 | 49-55-0518 | 1 | CHAIN TIGHTENER (OIL) (LEFT) ASSY. |
| 2 | 49-22-1400 | 1 | WASHER |
| 3 | NC01-33-0424 | 1 | HEX. BOLT GR8 NC ZINC 5/8-11 X 9" LG |
| 4 | 49-09-1230 | 1 | CHAIN TIGHTENER PIVOT |
| 5 | 49-50-0530 | 1 | CHAIN TIGHTENER STOPPER (WITH BOLTS) |
| 6 | 49-31-0400 | 1 | 1"-14 THREAD ROD |
| 7 | NC13-85-0048 | 1 | COMP. SPRING .120" WIRE X 1.030" ID X 9" |
| 8 | NC02-10-0025 | 1 | HEX NUT 1-14 |
| 9 | 49-37-1002 | 1 | CHAIN #80 HD X 27 1/2" |
| 10 | 49-22-1810 | 4 | WASHER |
| 11 | NC01-37-0114 | 4 | BOLT GR8 3/8" X 1" |
| 12 | NC02-18-8143 | 1 | BLACK SHIM RINGS .134" X 1" X 1/2" |
| 13 | 49-50-0110 | 1 | TIGHTENER SPRING BOX |
| 14 | NC01-69-0415 | 1 | SPRING PIN 3/16" X 3/4" |

**AGRIMETAL****SPROCKET CHAIN TIGHTENER GROUP (LEFT)**

CREATION : 01/06/18
 REVISION : 10/07/18

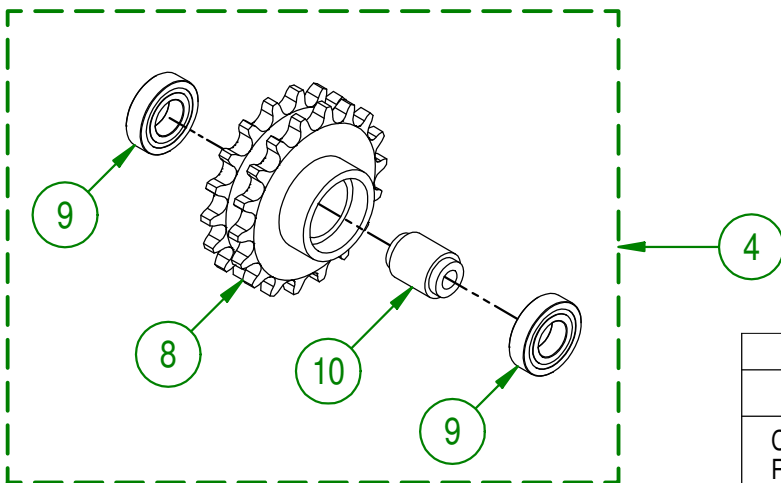
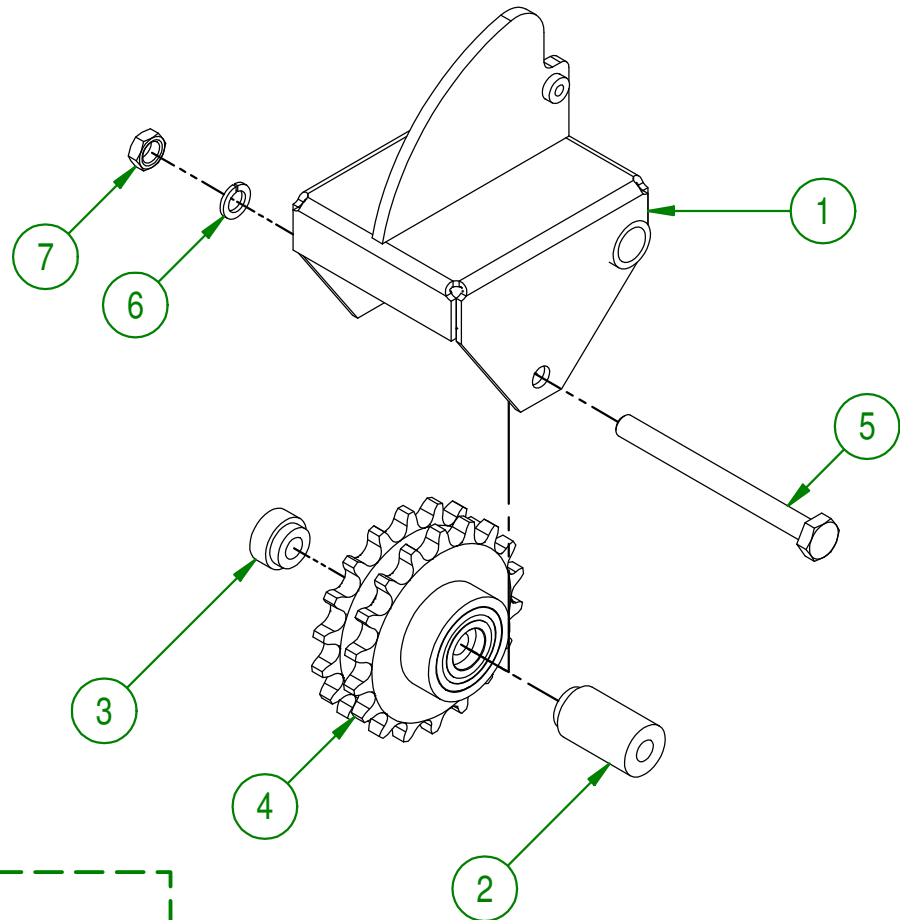
ASSEMBLY : **49-57-0065**
 AUTHOR : J.KABWE | Page 18 de 27

49-55-0518

| # | PART # | Qty | TITLE |
|---|--------------|-----|--|
| 1 | 49-50-0020 | 1 | CHAIN TIGHTENER (OIL) |
| 2 | 49-13-2010 | 1 | TIGHTENER SPROCKET SHAFT (LONG) |
| 3 | 49-13-2005 | 1 | TIGHTENER SPROCKET SHAFT (SHORT) |
| 4 | 49-55-0521 | 1 | SPROCKET 80X18 & BEARING 6206 XI 3/16" ID (DOUBLE TIGHTENER) |
| 5 | NC01-25-0452 | 1 | HEX. BOLT GR5 NC ZINC 5/8-11 X 7" |
| 6 | NC02-32-0016 | 1 | LOCK WASHER ZINC 5/8" |
| 7 | NC02-01-0006 | 1 | HEX. NUT 5/8-11 |

49-55-0521

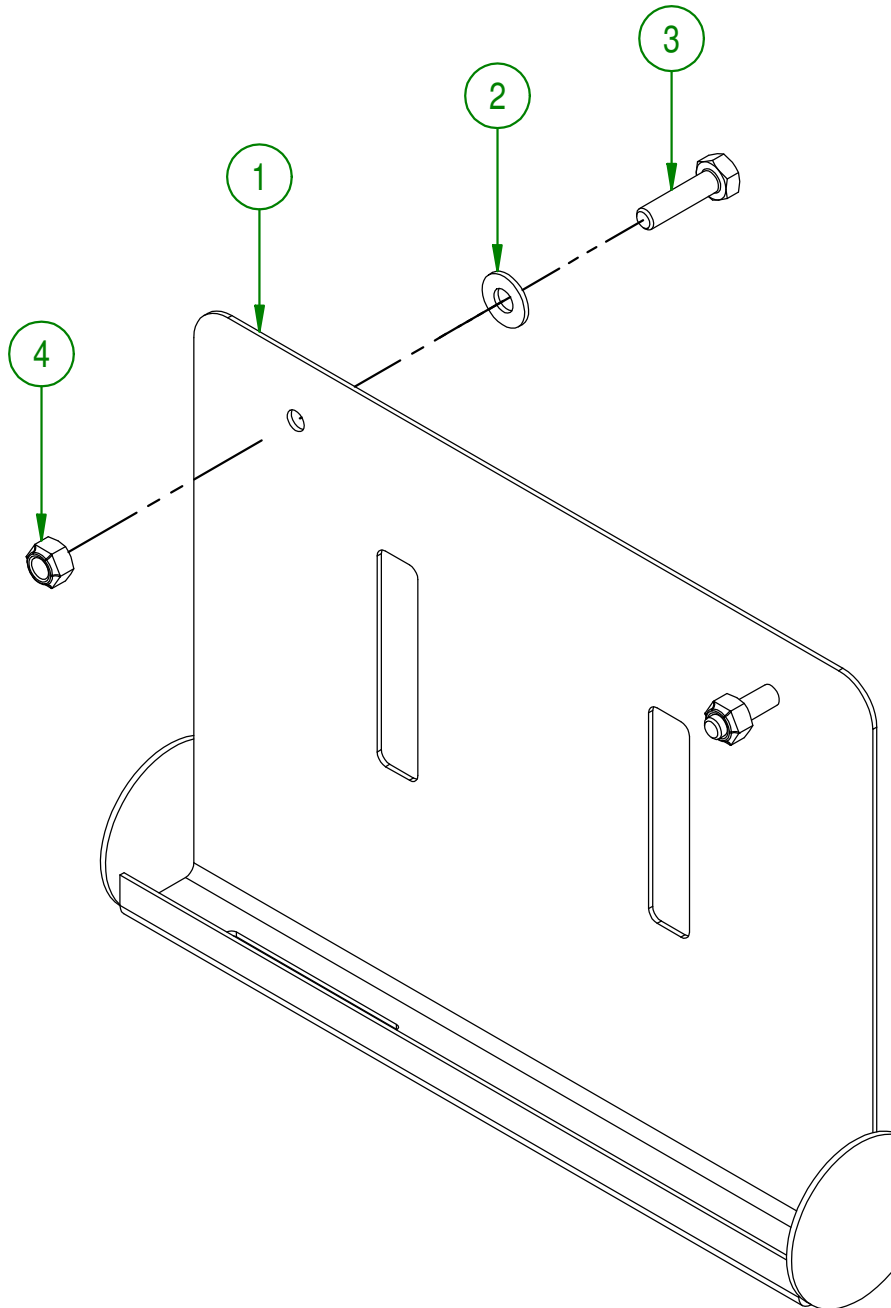
| # | PART # | Qty | TITLE |
|----|--------------|-----|-----------------------------------|
| 8 | 49-50-0521 | 1 | TIGHTENER SPROCKET (DOUBLE) |
| 9 | NC14-75-0091 | 2 | 6206 ZZ BEARING |
| 10 | 49-13-2007 | 1 | TIGHTENER SPROCKET SHAFT (MIDDLE) |



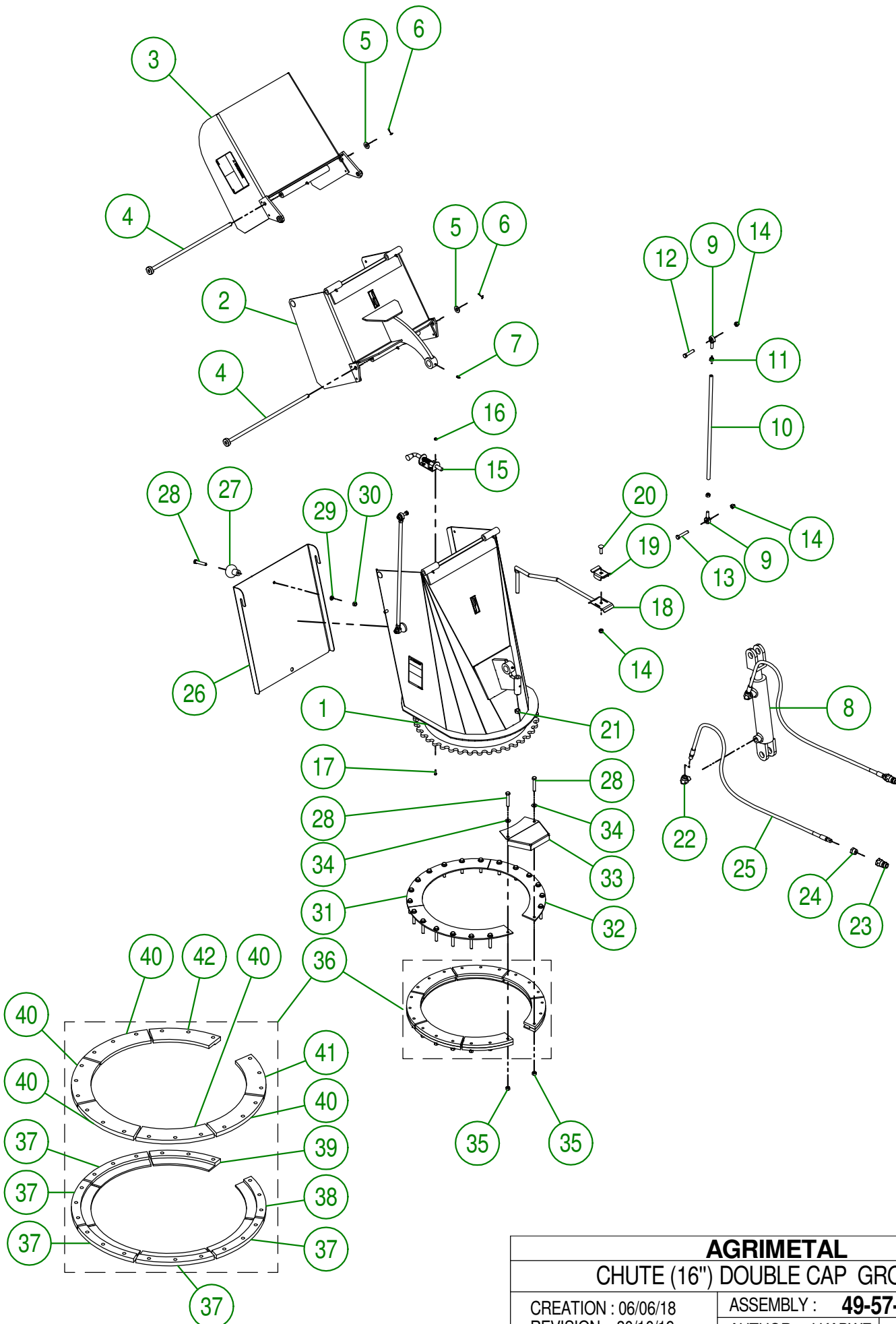
| | |
|---|--------------------------------|
| AGRIMETAL | |
| CHAIN TIGHTENER (OIL) (LEFT) ASSY. | |
| CREATION : 01/06/18 | ASSEMBLY : 49-55-0518 |
| REVISION : 01/06/18 | AUTHOR : J.KABWE Page 19 de 27 |

49-57-0080

| # | PART # | Qty | TITLE |
|---|--------------|-----|----------------------------------|
| 1 | 49-50-0030 | 1 | OIL SLAB |
| 2 | NC02-25-0007 | 2 | WASHER ZINC 0.281 = 9/32 |
| 3 | NC01-17-0006 | 2 | HEX. BOLT 1/4-20 X 1" |
| 4 | NC01-96-0009 | 2 | NYLON-INSERT LOCKNUT ZINC 1/4-20 |



| | |
|-----------------------|--------------------------------|
| AGRIMETAL | |
| OIL SLAB GROUP | |
| CREATION : 04/06/18 | ASSEMBLY : 49-57-0080 |
| REVISION : 04/06/18 | AUTHOR : J.KABWE Page 20 de 27 |



| | |
|--------------------------------------|--------------------------------|
| AGRIMETAL | |
| CHUTE (16") DOUBLE CAP GROUP. | |
| CREATION : 06/06/18 | ASSEMBLY : 49-57-0365 |
| REVISION : 30/10/19 | AUTHOR : J.KABWE Page 21 de 27 |

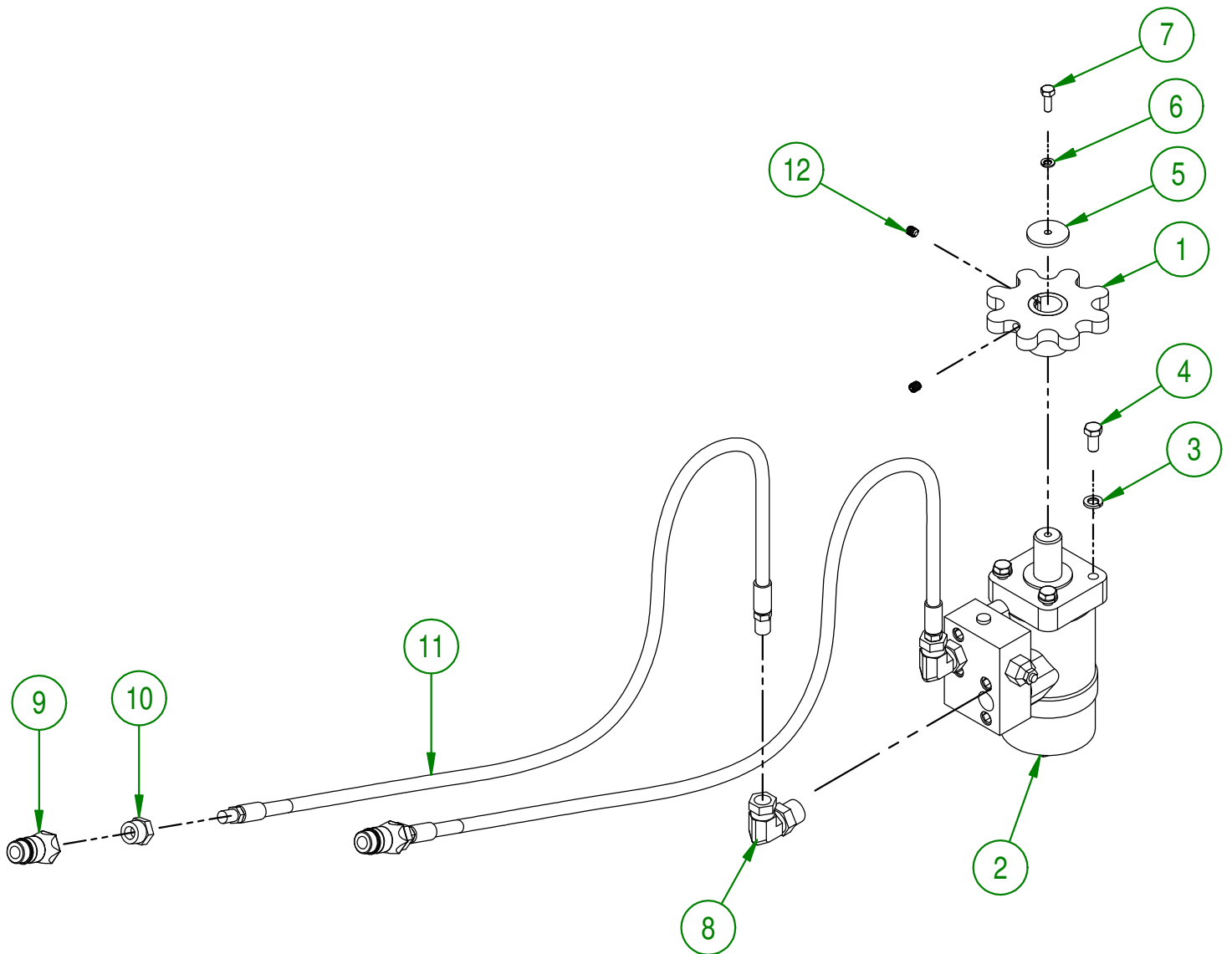
49-57-0365

| # | PART # | Qty | TITLE |
|----|--------------|-----|--|
| 1 | 49-57-0300 | 1 | BOTTOM SECTION (CHUTE 16") "STICKER INCLUDED" GROUP. |
| 2 | 49-57-0310 | 1 | MIDDLE SECTION (CHUTE 16") "STICKER INCLUDED" GROUP. |
| 3 | 49-57-0320 | 1 | TOP SECTION (CHUTE 16") "STICKER INCLUDED" GROUP. |
| 4 | 49-50-0340 | 2 | CHUTE PIVOT |
| 5 | NC02-25-0011 | 2 | WASHER SAE ZINC 17/32 ID |
| 6 | NC01-69-0139 | 2 | COTTER PIN ZINC 1/8" X 3/4" |
| 7 | NC01-69-0785 | 8 | STRAIGHT GREASE FITTING 1/4-28 |
| 8 | NC13-45-0209 | 1 | HYDRAULIC CYLINDER 6" |
| 9 | NC01-67-0304 | 4 | ROD END 3/8-24 |
| 10 | 48-13-0600 | 2 | CHUTE ROD (DOUBLE) |
| 11 | NC02-10-0018 | 4 | NUT 3/8-24 |
| 12 | NC01-25-0117 | 2 | HEX. BOLT GR5 ZINC 3/8-16 X 1 3/4" LG |
| 13 | NC01-25-0118 | 2 | HEX. BOLT GR5 NC ZINC 3/8-16 X 2" |
| 14 | NC01-96-0011 | 5 | NYLON NUT 3/8-16 |
| 15 | NC13-80-0213 | 1 | SPRING ROUND PIN LOCK 1/2" X 1 1/8" COURSE X 6.300" LG |
| 16 | NC01-96-0006 | 4 | NYLON NUT ZINC 10-24 |
| 17 | NC01-54-0110 | 4 | BOLT STAINLESS STEEL 10-24 X 3/4 OR 3/16 X 3/4 |
| 18 | 48-50-1030 | 1 | HYDRAULIC HOSE SUPPORT |
| 19 | 48-01-7530 | 1 | HYDRAULIC HOSE SUPPORT |
| 20 | NC01-04-0110 | 1 | CARR. BOLT GR2 ZINC 3/8-16 X 1 1/4" |
| 21 | NC01-96-0014 | 1 | NYLON-INSERT LOCKNUT ZINC 1/2-13 |
| 22 | NC13-45-0038 | 2 | ELBOW 90 3/8 FEM. NPT X 3/8 MALE NPT |
| 23 | NC13-45-0014 | 2 | QUICK COUPLER 1/2-14 NPTF |
| 24 | NC13-45-0153 | 2 | HEX. REDUCER 1/4 NPT X 1/2 NPT |
| 25 | NC17-02-0347 | 2 | HYDRAULIC HOSE (111" LG) |
| 26 | 49-57-0363 | 1 | CHUTE DOOR (CHUTE 16") "STICKER INCLUDED" GROUP. |
| 27 | NC17-46-0018 | 1 | HANDLE KNOB |
| 28 | NC01-17-0119 | 22 | HEX. BOLT GR2 ZINC 3/8-16 X 2 1/4" |
| 29 | NC02-32-0012 | 1 | LOCK WASHER ZINC 3/8" |
| 30 | NC02-07-0018 | 1 | HEX. NUT ZINC 3/8-16 |
| 31 | 49-04-0012 | 1 | BRACE |
| 32 | 49-04-0013 | 2 | BRACE |
| 33 | 49-01-3025 | 1 | SPROCKET GUARD |
| 34 | 01-01-2485 | 21 | FLAT WASHER 14 GA X 13/16"OD X 25/64" ID |
| 35 | NC01-93-0011 | 21 | STEEL LOCK NUT NC ZINC 3/8-16 |
| 36 | 49-57-0810 | 1 | CHUTE (16") DOUBLE CAP GROUP. |

49-57-0810

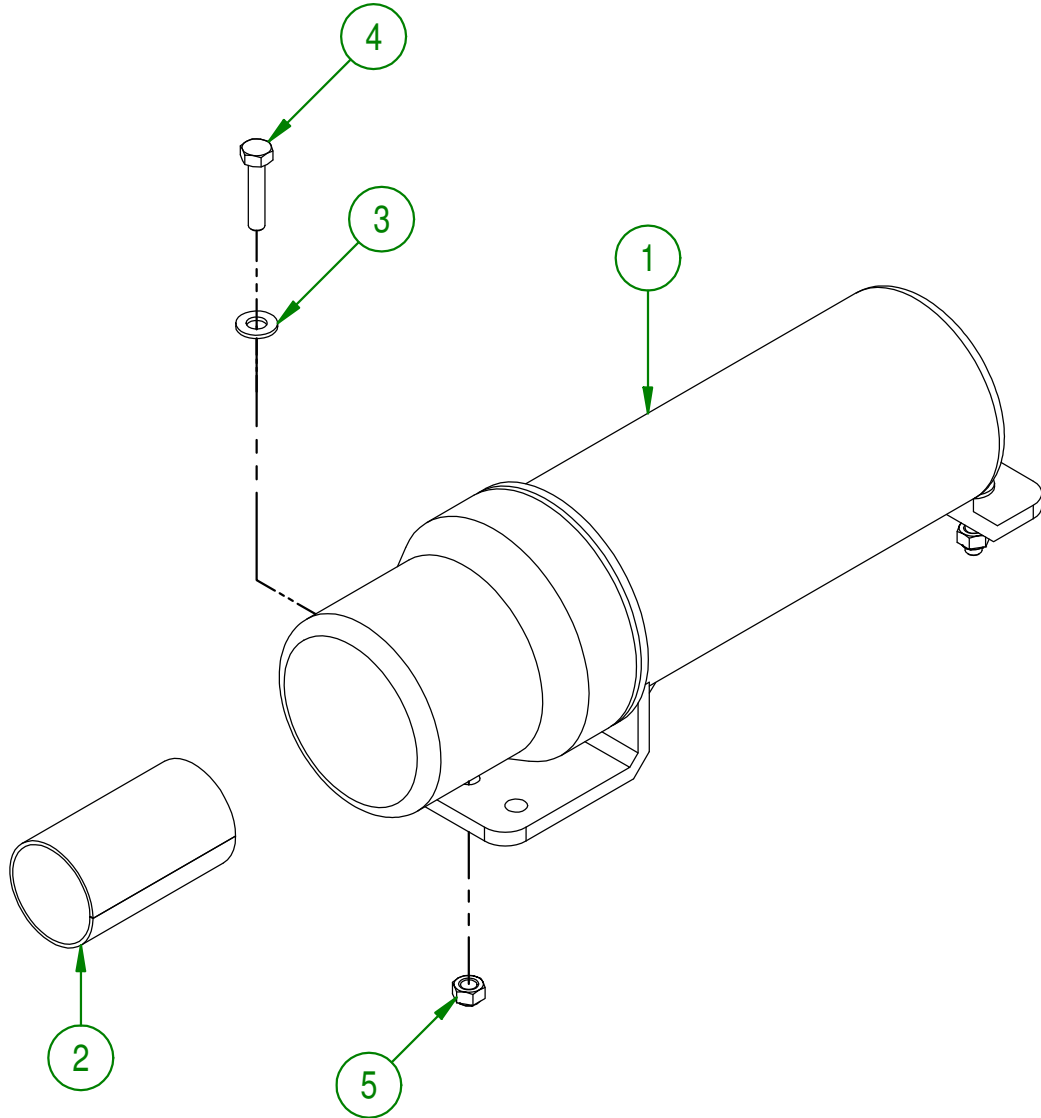
| # | PART # | Qty | TITLE |
|----|------------|-----|---------------------------|
| 37 | 49-42-0105 | 5 | CHUTE GUIDE (TOP) |
| 38 | 49-42-0106 | 1 | RIGHT CHUTE GUIDE (UNDER) |
| 39 | 49-42-0107 | 1 | LEFT CHUTE GUIDE (UNDER) |
| 40 | 49-42-0100 | 5 | CHUTE GUIDE (TOP) |
| 41 | 49-42-0101 | 1 | RIGHT CHUTE GUIDE (TOP) |
| 42 | 49-42-0102 | 1 | LEFT CHUTE GUIDE (TOP) |

| # | PART # | Qty | TITLE |
|----|--------------|-----|--|
| 1 | 48-50-1025 | 1 | HYDRAULIC ENGINE SPROCKET |
| 2 | NC14-45-0146 | 1 | HYDRAULIC MOTOR |
| 3 | NC02-32-0012 | 4 | LOCK WASHER ZINC 3/8" |
| 4 | NC01-17-0112 | 4 | HEX. BOLT GR2 ZINC 3/8-16 X 3/4" |
| 5 | 39-01-1105 | 1 | WASHER |
| 6 | NC02-32-0010 | 1 | LOCK WASHER ZINC 1/4" |
| 7 | NC01-17-0004 | 1 | HEX. BOLT GR2 ZINC 1/4-20 X 3/4" |
| 8 | NC13-45-0072 | 2 | ELBOW 90 7/8-14 MALE SAE10 O-RING X 3/8 FEM. TOUR. NPT |
| 9 | NC13-45-0014 | 2 | QUICK COUPLER 1/2-14 NPTF |
| 10 | NC13-45-0153 | 2 | HEX. REDUCER 1/4 NPT X 1/2 NPT |
| 11 | NC17-02-0329 | 2 | HYDRAULIC HOSE (87" LG) |
| 12 | NC02-44-0103 | 2 | SET SCREW 5/16-18 X 3/8" |



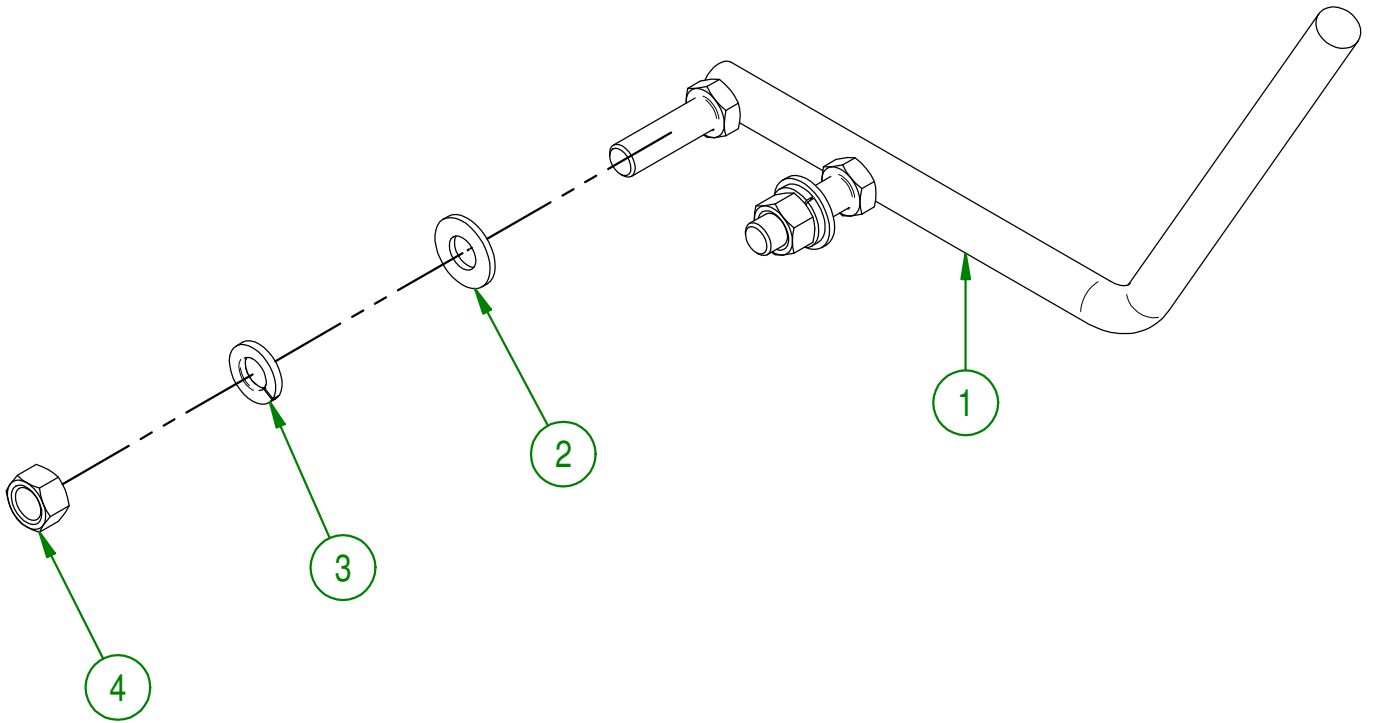
| | |
|-------------------------------|--------------------------------|
| AGRIMETAL | |
| HYDRAULIC MOTOR GROUP. | |
| CREATION : 07/06/18 | ASSEMBLY : 49-57-0075 |
| REVISION : 07/04/20 | AUTHOR : J.KABWE Page 23 de 27 |

| # | PART # | Qty | TITLE |
|---|--------------|-----|--------------------------------------|
| 1 | NC13-30-0237 | 1 | PLASTIC TUBE FOR OPERATOR'S MANUAL |
| 2 | 49-98-0620 | 1 | OPER. MAN. 3 POINT HITCH SNOW BLOWER |
| 3 | NC02-22-0008 | 2 | WASHER ZINC 5/16" |
| 4 | NC01-17-0007 | 2 | HEX. BOLT GR2 ZINC 1/4-20 X 1 1/4" |
| 5 | NC01-96-0009 | 2 | NYLON-INSERT LOCKNUT ZINC 1/4-20 |



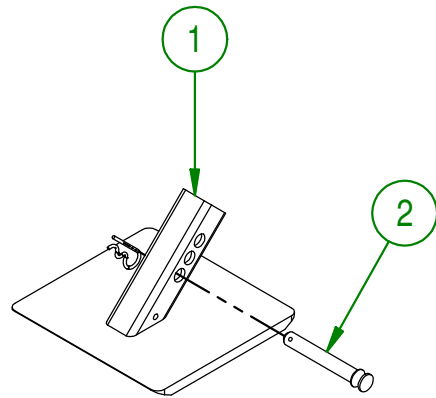
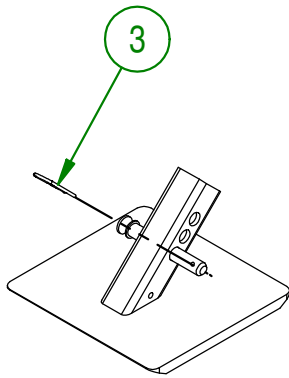
| | |
|---------------------------|----------------------------------|
| AGRIMETAL | |
| OPER. MAN. MAX TWIN GROUP | |
| CREATION : 04/06/18 | ASSEMBLY : 49-57-0070 |
| REVISION : 04/06/18 | AUTHOR : J.KABWE Page 24 de 27 |

| # | PART # | Qty | TITLE |
|---|--------------|-----|-----------------------|
| 1 | 48-50-1085 | 1 | PTO SUPPORT |
| 2 | 01-01-2485 | 2 | FLAT WASHER |
| 3 | NC02-32-0012 | 2 | LOCK WASHER ZINC 3/8" |
| 4 | NC02-07-0018 | 2 | HEX. NUT ZINC 3/8-16 |



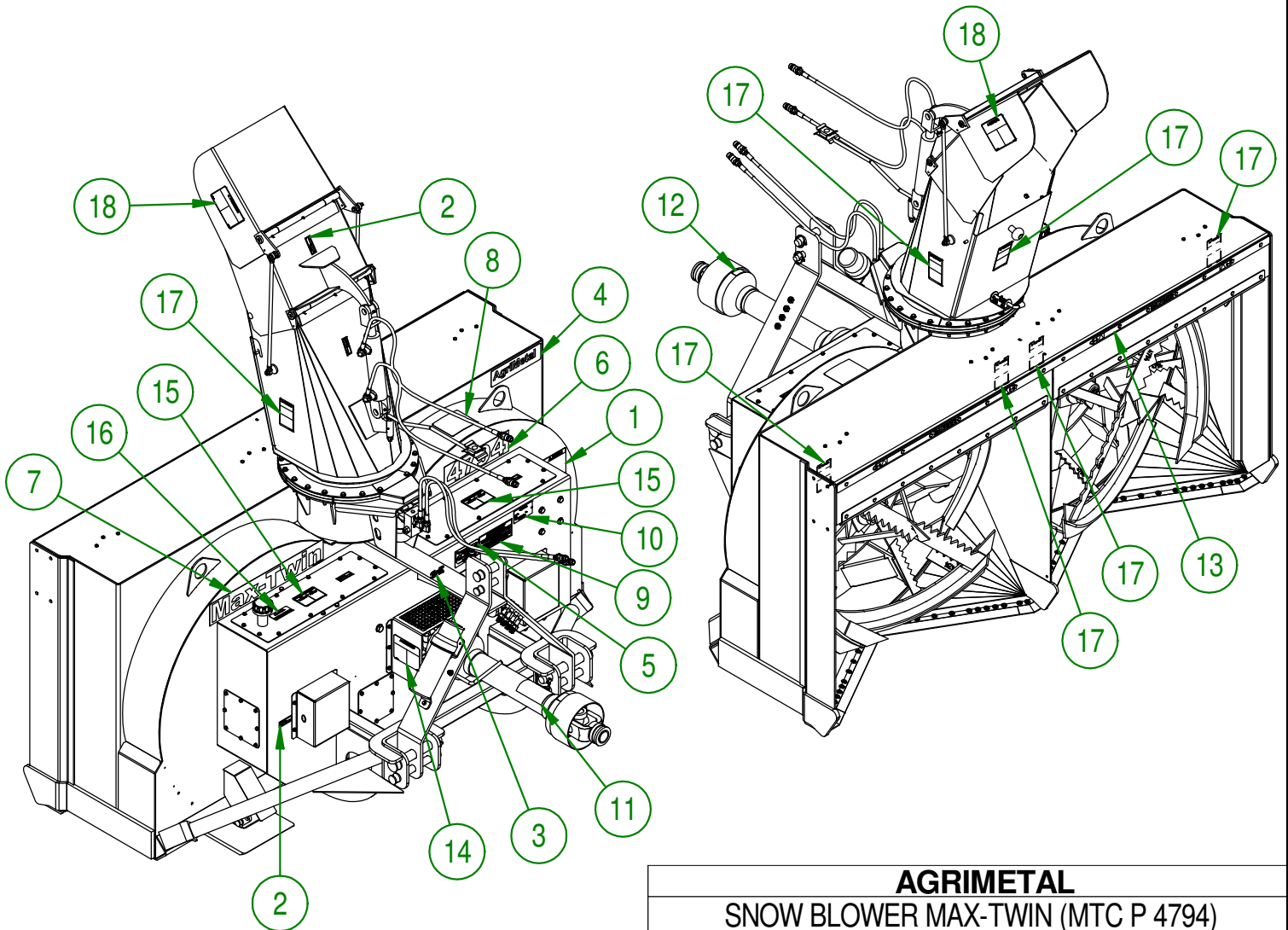
| | |
|---------------------------|----------------------------------|
| AGRIMETAL | |
| PTO SUPPORT GROUP. | |
| CREATION : 04/06/18 | ASSEMBLY : 48-57-1165 |
| REVISION : 04/06/18 | AUTHOR : J.KABWE Page 25 de 27 |

| # | PART # | Qty | TITLE |
|---|--------------|-----|--------------------------|
| 1 | 49-50-0535 | 2 | ADJUSTABLE SKATE |
| 2 | 49-20-0210 | 2 | ADJUSTABLE SKATE PIN |
| 3 | NC01-63-0026 | 2 | COTTER PIN ZC 5/32" X 3" |



| | |
|--------------------------------|----------------------------------|
| AGRIMETAL | |
| ADJUSTABLE SKATE GROUP. | |
| CREATION : 04/06/18 | ASSEMBLY : 49-57-0085 |
| REVISION : 04/06/18 | AUTHOR : J.KABWE Page 26 de 27 |

| # | PART # | Qty | TITLE |
|----|--------------|-----|--|
| 1 | NCI3-33-0108 | 1 | STICKER CAUTION |
| 2 | NCI3-33-0024 | 7 | STICKER GREASE HERE |
| 3 | NCI3-33-0228 | 1 | STICKER MAXIMUM 1000 RPM |
| 4 | NCI3-33-0035 | 1 | STICKER AGRIMETAL |
| 5 | NCI3-33-0275 | 1 | STICKER PICTOGRAM |
| 6 | NCI3-33-0224 | 1 | STICKER 4794 |
| 7 | NCI3-33-0201 | 1 | STICKER MAX-TWIN |
| 8 | NCI3-33-0211 | 1 | STICKER IMPORTANT |
| 9 | NCI3-33-0317 | 1 | STICKER GREASE DRIVE LINE TELESCOPIC SHAFT |
| 10 | 25-55-0710 | 1 | SERIAL NUMBER PLATE |
| 11 | NCI4-85-0276 | 1 | STICKER (DANGER-PLASTIC GUARD) |
| 12 | NCI3-33-0310 | 1 | STICKER T90 |
| 13 | NCI3-33-0274 | 2 | STICKER DANGER |
| 14 | NCI3-33-0020 | 2 | STICKER DANGER |
| 15 | NCI3-33-0017 | 2 | STICKER WARNING |
| 16 | NCI3-33-0003 | 1 | STICKER OIL LEVEL |
| 17 | NCI3-33-0217 | 7 | STICKER DANGER |
| 18 | NCI3-33-0051 | 2 | STICKER DANGER THROWN OBJECT HAZARD |



| | |
|--|--------------------------------|
| AGRIMETAL | |
| SNOW BLOWER MAX-TWIN (MTC P 4794) | |
| CREATION : 08/06/18 | ASSEMBLY : 49-99-0000 |
| REVISION : 13/12/18 | AUTHOR : J.KABWE Page 27 de 27 |