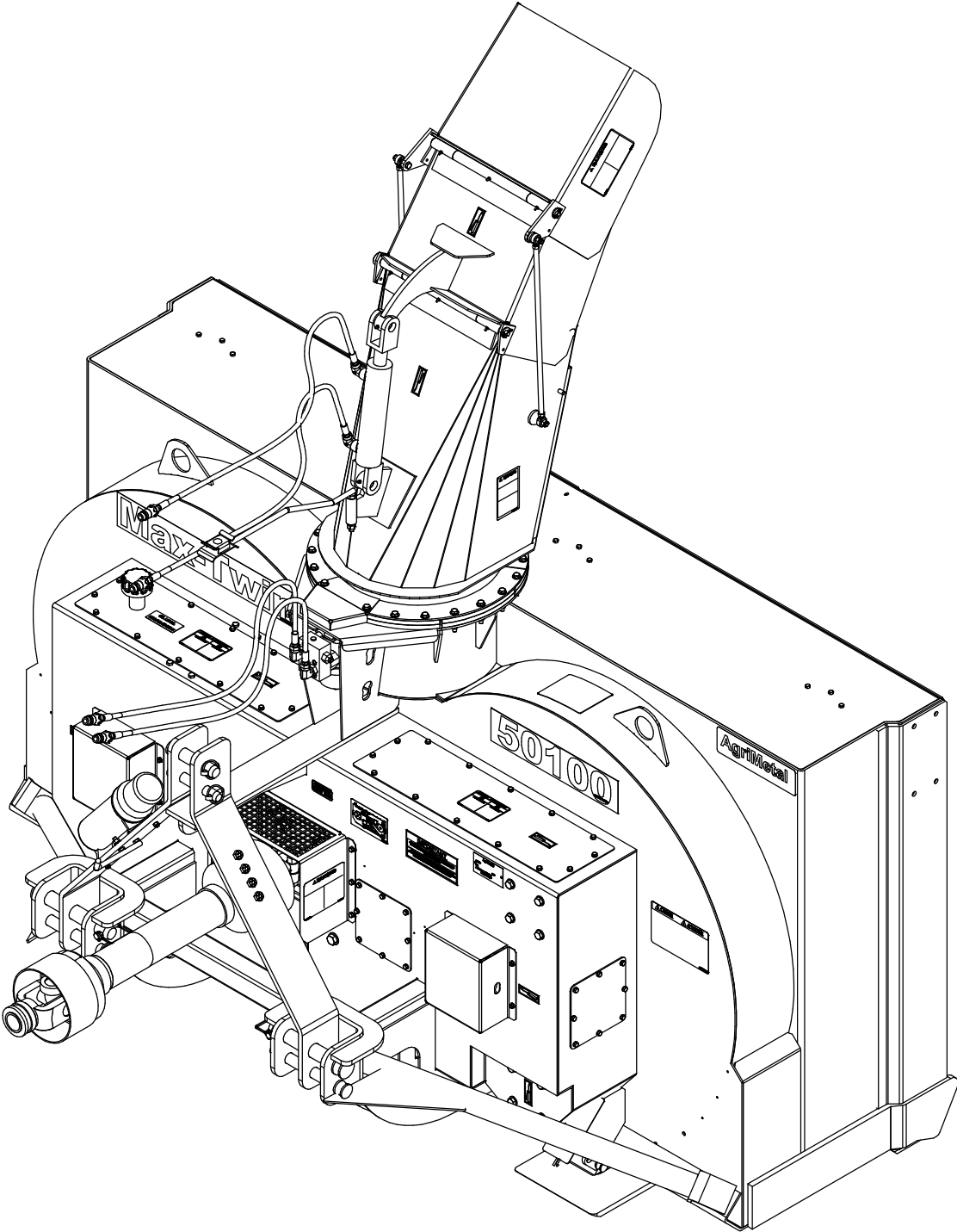


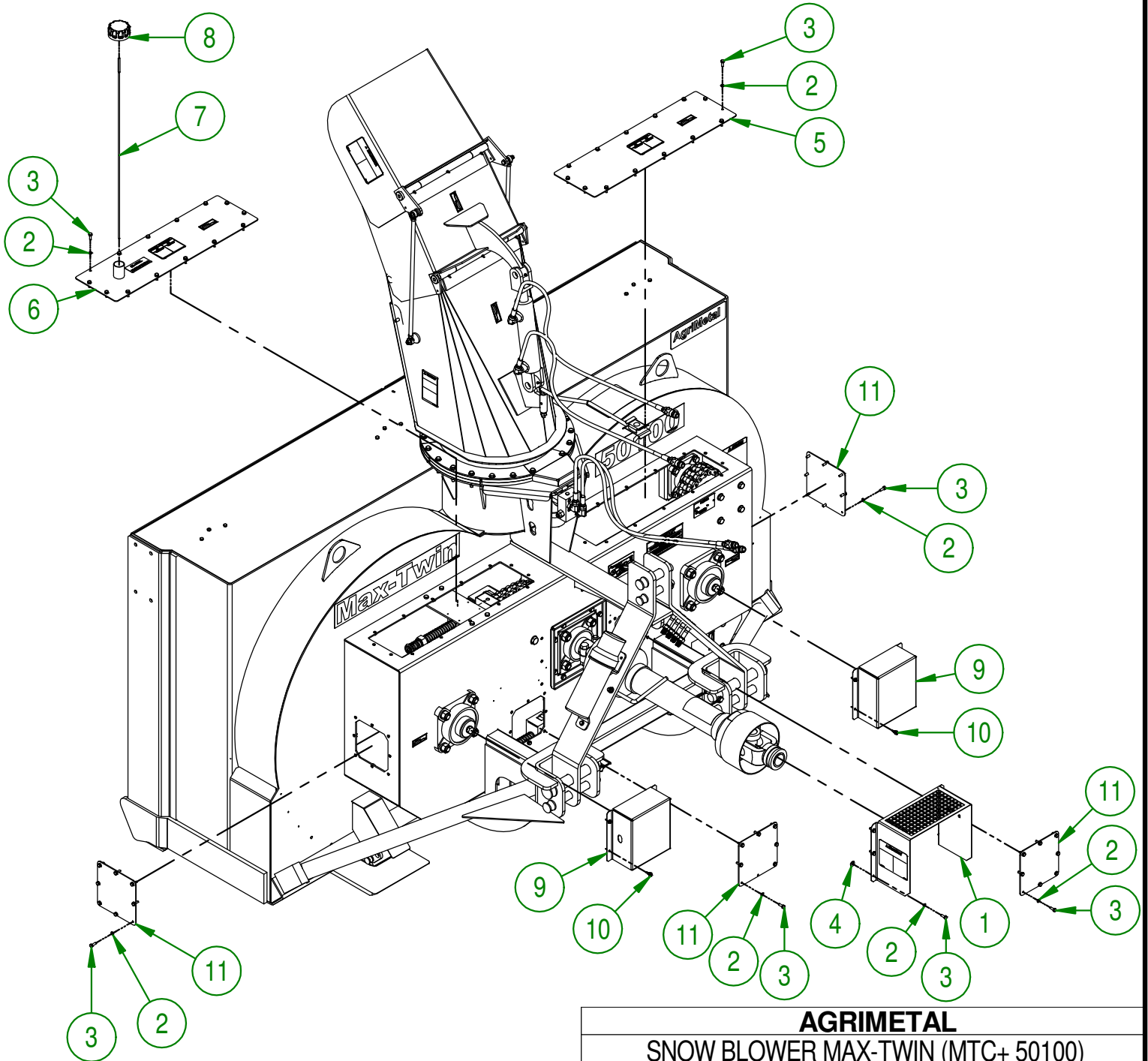
AgriMetal

PARTS LIST



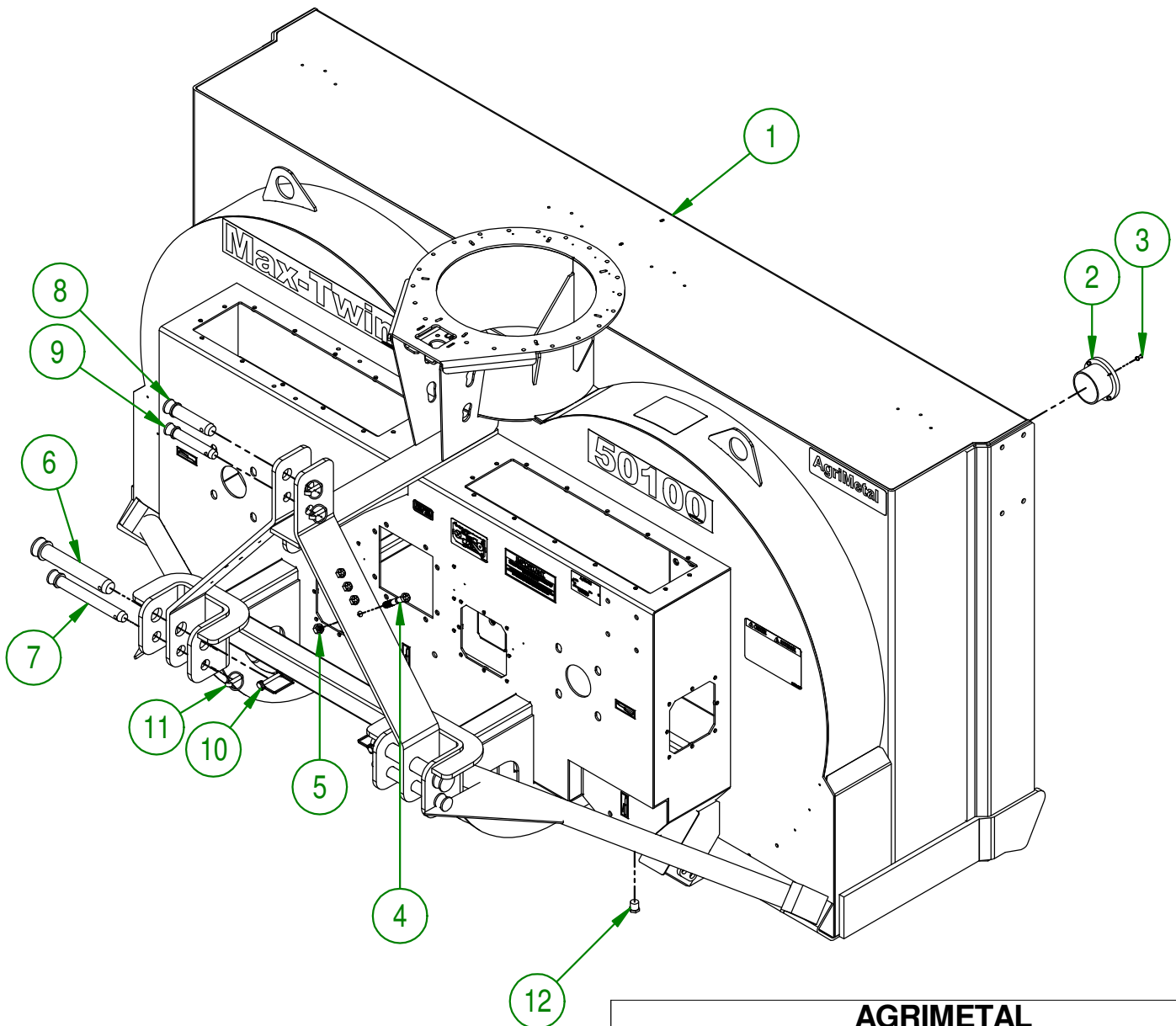
MTC + 50100 (IN OIL)

#	PART #	Qty	TITLE
1	49-57-0035	1	PTO GUARD GROUP. (INCL. STICKER)
2	49-22-2205	66	WASHER
3	NC01-37-0004	66	HEX. BOLT GR2 ZINC 1/4-28 X 3/4"
4	49-22-1810	6	WASHER
5	49-57-0786	1	GEAR BOX DOOR STICKER INCL. GROUP. (LEFT)
6	49-57-0791	1	GEAR BOX DOOR STICKER INCLUDED (RIGHT)
7	49-13-0000	1	LEVEL OIL ROD
8	NC13-45-0016	1	FILLING CAP
9	49-01-3010	2	BEARING PROTECTOR
10	NC02-41-0013	8	HEX. PEIRCING MET. SCREW 1/4" X 3/4"
11	49-01-1500	4	ACCESS DOOR (FRONT & SIDE)



AGRIMETAL	
SNOW BLOWER MAX-TWIN (MTC+ 50100)	
CREATION : 10/07/18	ASSEMBLY : 49-99-0500
REVISION : 13/12/18	AUTHOR : J.KABWE
	Page 1 de 27

#	PART #	Qty	TITLE
1	49-57-0500	1	FRAME "STICKER INCLUDED" GROUP.
2	49-42-0110	2	BUSHING
3	NC01-78-0017	8	POP RIVET STEEL ROD .187 X .815 CAP. RIV 5/8
4	49-30-9960	4	SAFETY BOLT
5	NC01-94-0014	4	HEX. LOCKNUT NF Z 9/16-18
6	49-20-0065	2	3 POINT PIN
7	49-20-0070	2	3 POINT PIN
8	49-20-0060	1	3 POINT PIN
9	48-20-0060	1	3 POINT PIN
10	NC01-69-1306	2	LOCKING PIN 3/8" X 2 1/2" LG
11	NC01-69-1100	4	LINCH PIN 3/8"
12	NC13-45-0015	2	HEX. CAP 1/2 NPTF MALE



AGRIMETAL
FRAME GROUP

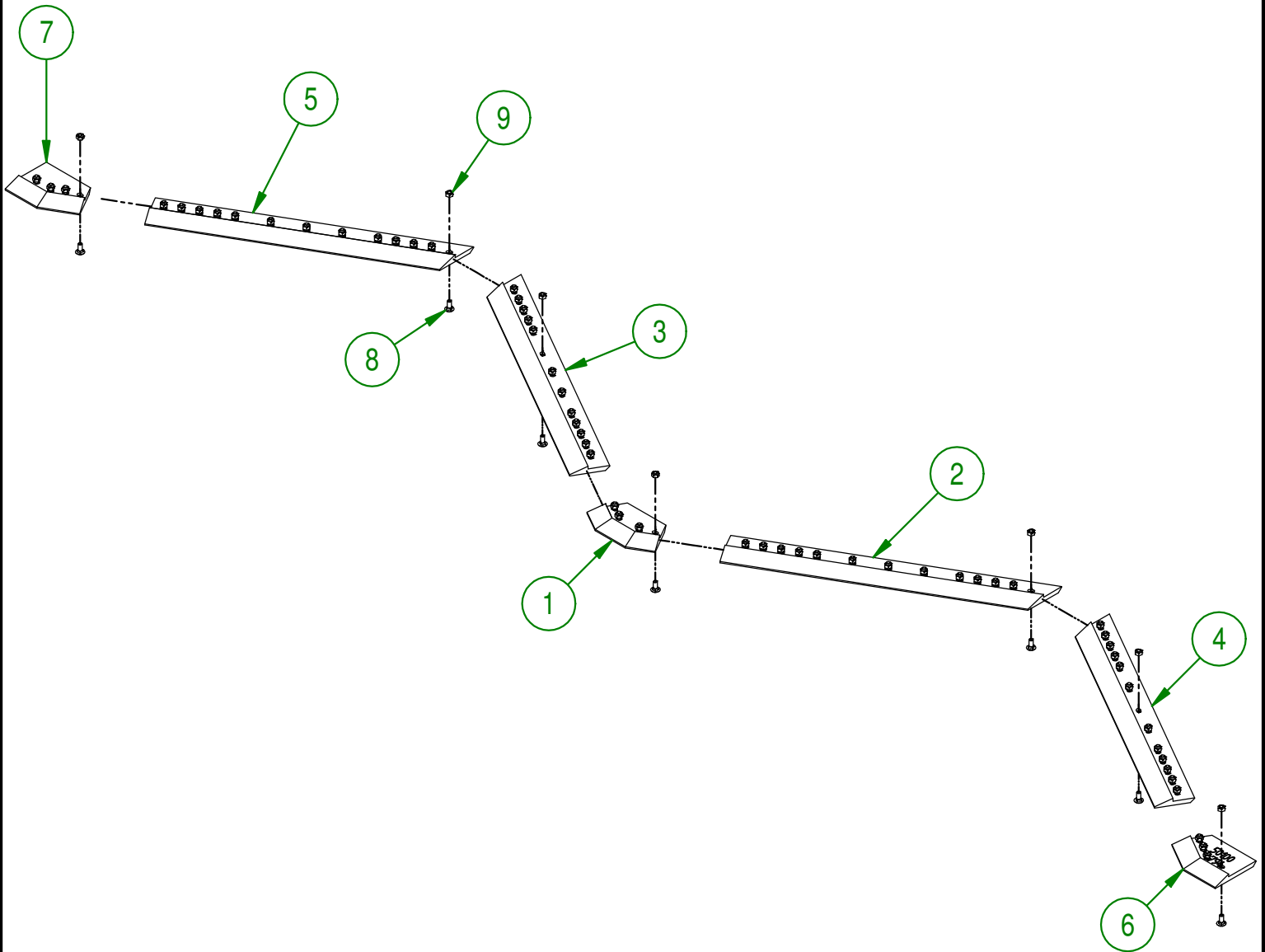
CREATION : 06/07/18
REVISION : 13/12/18

ASSEMBLY : **49-57-0510**

AUTHOR : J.KABWE

Page 2 de 27

#	PART #	Qty	TITLE
1	49-20-0475	1	KNIFE (CENTER)
2	49-20-0455	1	KNIFE (INSIDE RIGHT)
3	49-20-0457	1	KNIFE (INSIDE LEFT)
4	49-20-0460	1	KNIFE (OUTSIDE RIGHT)
5	49-20-0463	1	KNIFE (OUTSIDE LEFT)
6	49-20-0450	1	KNIFE (OUTSIDE RIGHT)
7	49-20-0453	1	KNIFE (OUTSIDE LEFT)
8	NC01-07-0056	64	CARR. BOLT GR5 NC ZINC 5/16-18 X 3/4"
9	NC01-93-0010	64	LOCK NUT ZINC 5/16-18



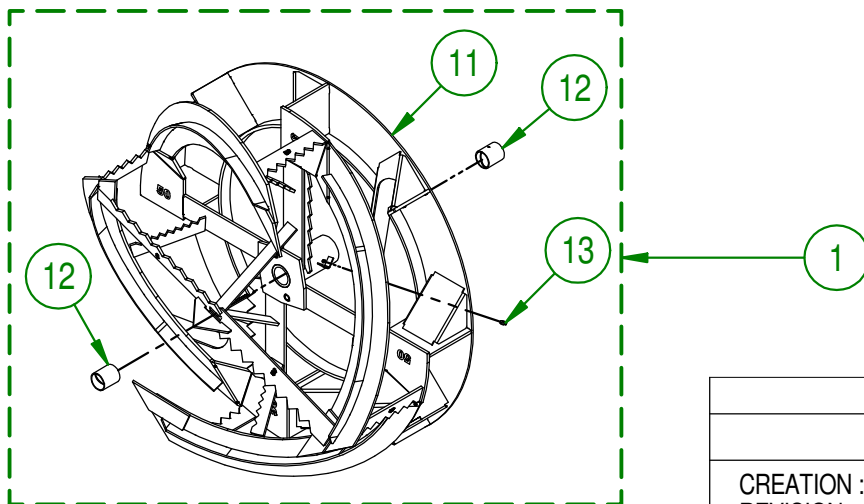
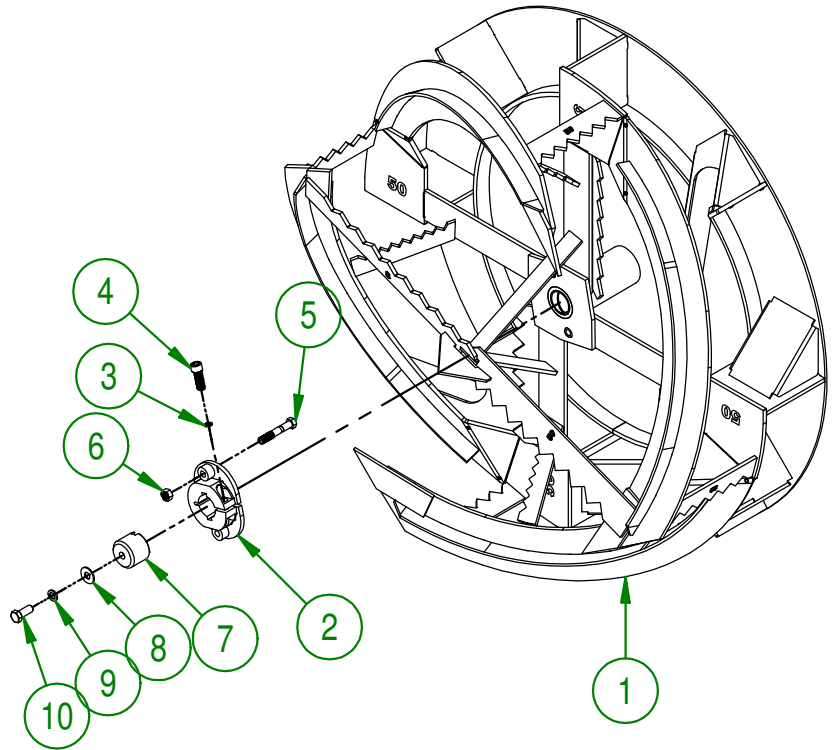
AGRIMETAL	
KNIVES GROUP. (STEEL 450)	
CREATION : 06/07/18	ASSEMBLY : 49-57-0720
REVISION : 24/01/19	AUTHOR : J.KABWE Page 3 de 27

49-57-0595

#	PART #	Qty	TITLE
1	49-55-0505	1	IMPELLER (RIGHT) ASSY.
2	49-50-0545	1	IMPELLER FLANGE
3	NC02-32-0012	1	LOCK WASHER ZINC 3/8"
4	NC02-50-0152	1	SOCKET HEAD SCREW 5/8-11 X 1 3/4
5	49-30-9960	1	SAFETY BOLT
6	NC01-94-0014	1	HEX. LOCKNUT NF Z 9/16-18
7	49-21-0005	1	CLAMPING STOPPER
8	NC02-22-0013	1	WASHER ZINC 5/8 ID X 1 1/2 OD
9	NC02-32-0016	1	LOCK WASHER ZINC 5/8"
10	NC01-29-0394	1	HEX. BOLT GR5 NF ZINC 5/8-18 X 1 1/2"

49-55-0505

#	PART #	Qty	TITLE
11	49-50-0505	1	IMPELLER (RIGHT)
12	49-38-0200	2	IMPELLER BUSHING
13	NC01-69-0791	1	GREASE FITTING 1/8 NPT STRAIGHT

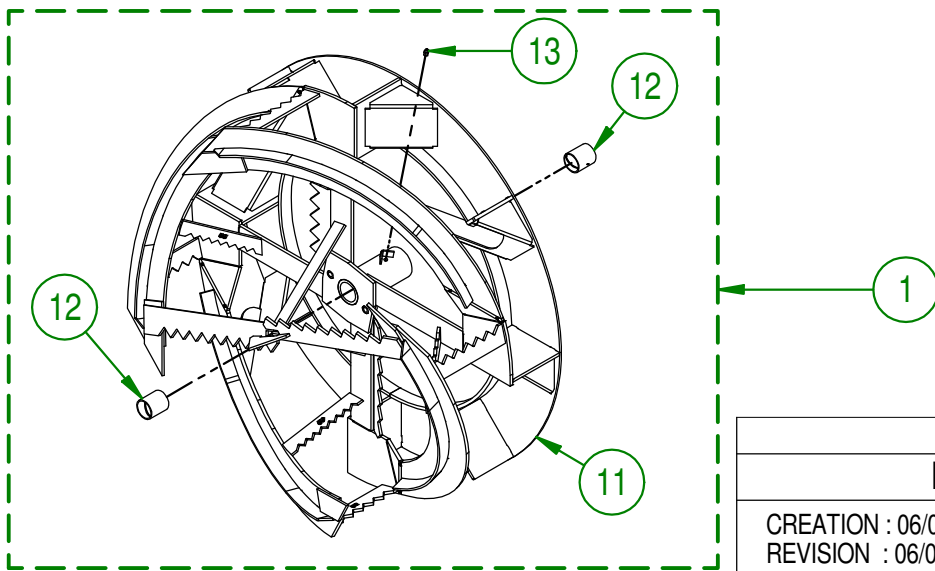
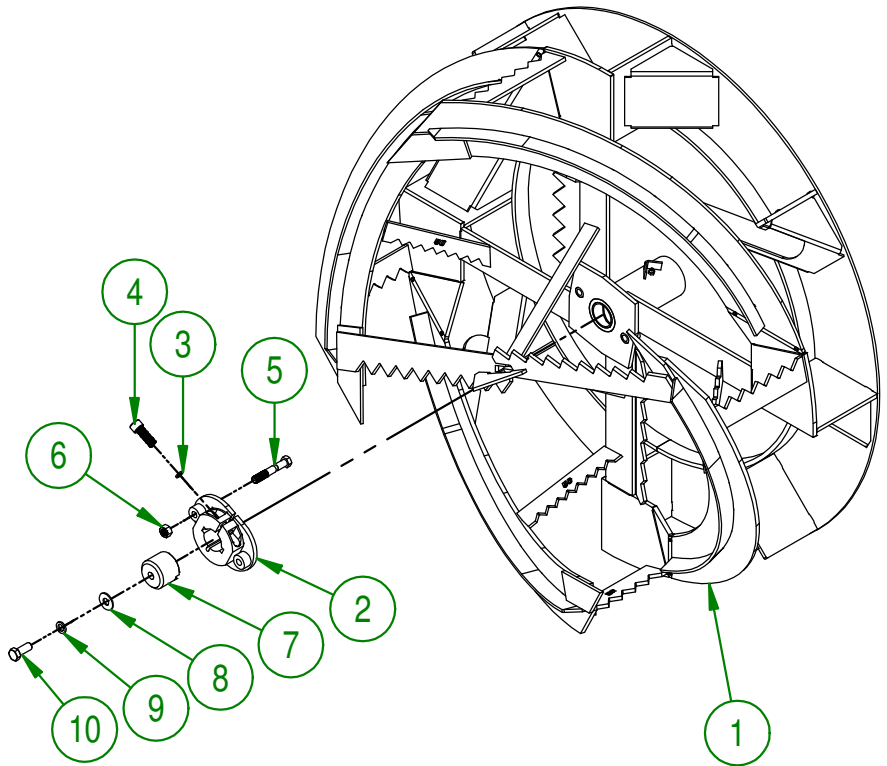


AGRIMETAL	
IMPELLER GROUP. (RIGHT)	
CREATION : 06/07/18	ASSEMBLY : 49-57-0595
REVISION : 06/07/18	AUTHOR : J.KABWE Page 4 de 27

#	PART #	Qty	TITLE
1	49-55-0506	1	IMPELLER (LEFT) ASSY.
2	49-50-0545	1	IMPELLER FLANGE
3	NC02-32-0012	1	LOCK WASHER ZINC 3/8"
4	NC02-50-0152	1	SOCKET HEAD SCREW 5/8-II X I 3/4
5	49-30-9960	1	SAFETY BOLT
6	NC01-94-0014	1	HEX. LOCKNUT NF Z 9/16-18
7	49-21-0005	1	CLAMPING STOPPER
8	NC02-22-0013	1	WASHER ZINC 5/8 ID X I 1/2 OD
9	NC02-32-0016	1	LOCK WASHER ZINC 5/8"
10	NC01-29-0394	1	HEX. BOLT GR5 NF ZINC 5/8-18 X I 1/2"

49-55-0506

#	PART #	Qty	TITLE
11	49-50-0506	1	IMPELLER (LEFT)
12	49-38-0200	2	IMPELLER BUSHING
13	NC01-69-0791	1	GREASE FITTING 1/8 NPT STRAIGHT



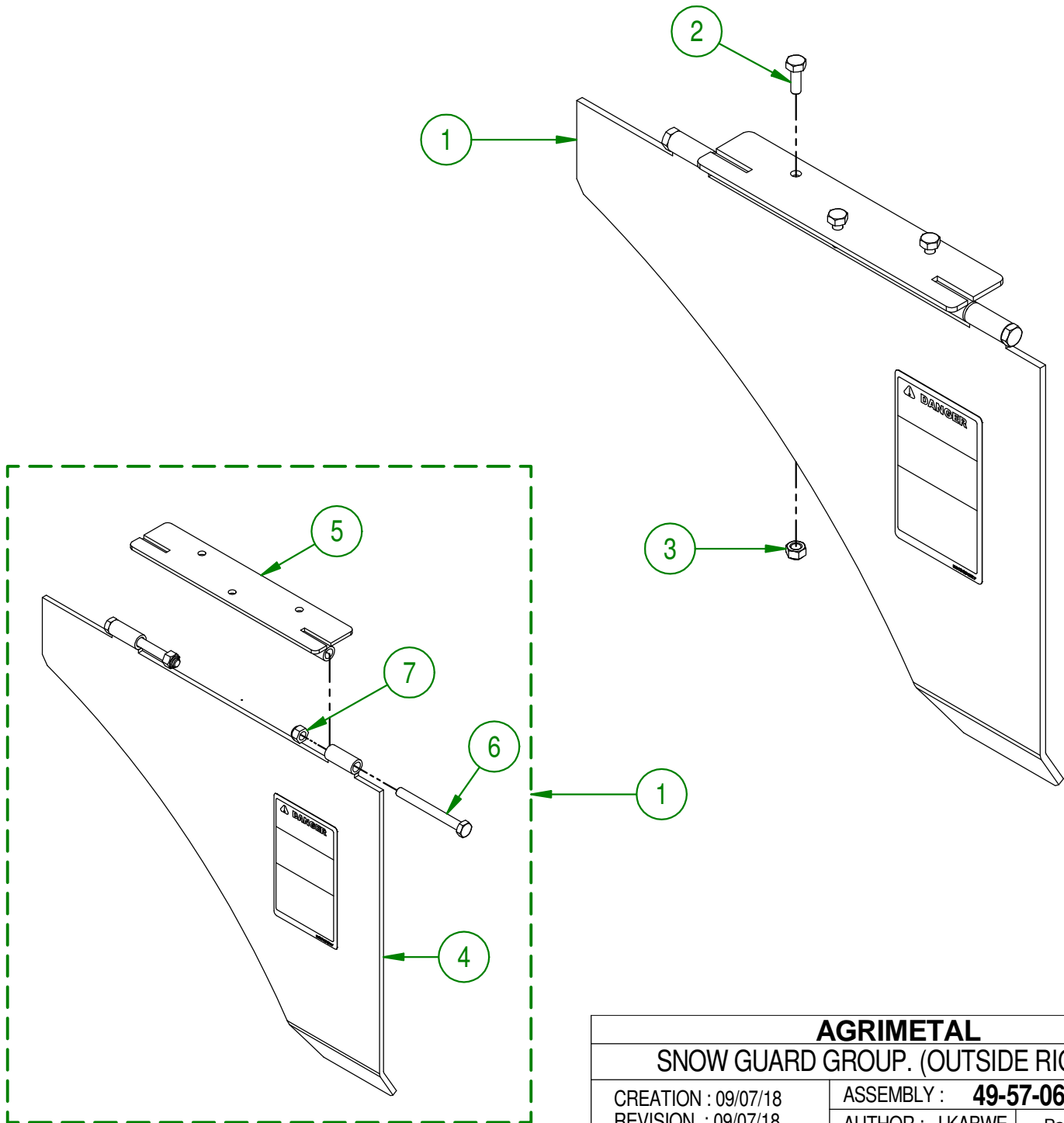
AGRIMETAL	
IMPELLER GROUP. (LEFT)	
CREATION : 06/07/18	ASSEMBLY : 49-57-0596
REVISION : 06/07/18	AUTHOR : J.KABWE Page 5 de 27

49-57-0630

#	PART #	Qty	TITLE
1	49-55-0590	1	SNOW GUARD (OUTSIDE RIGHT) ASSY.
2	NC01-37-0004	3	HEX. BOLT GR2 ZINC 1/4-28 X 3/4"
3	NC01-97-0004	3	NYLON-INSERT LOCKNUT ZINC 1/4-28

49-55-0590

#	PART #	Qty	TITLE
4	49-57-0591	1	SNOW GUARD (OUTSIDE RIGHT) "STICKER INCLUDED"
5	49-50-0595	1	SNOW GUARD SUPPORT
6	NC01-17-0068	2	HEX. BOLT GR2 NC ZINC 5/16-18 X 3"
7	NC01-96-0010	2	NYLON NUT HEX. ZINC 5/16-18



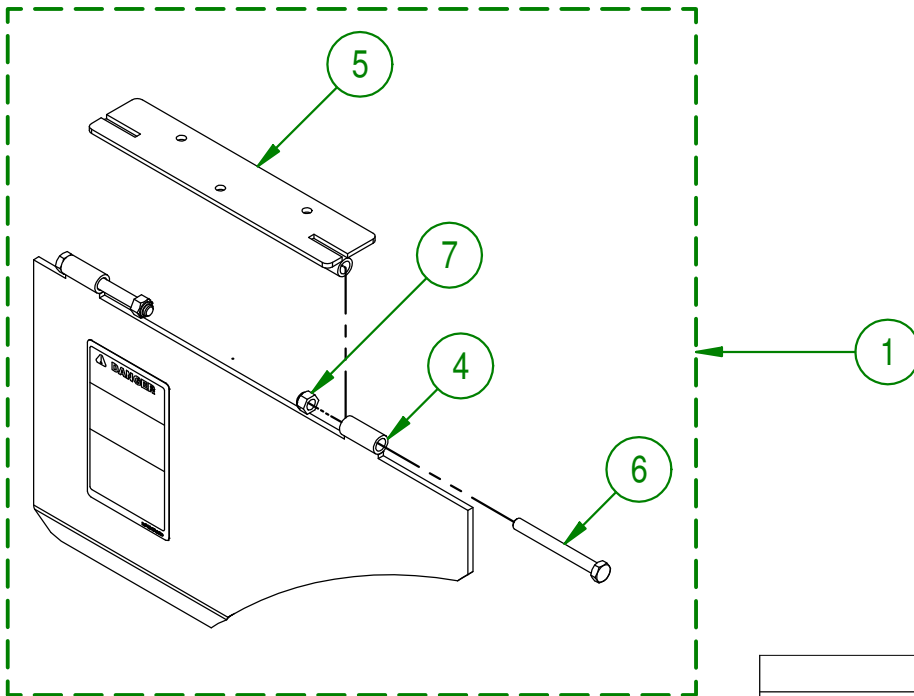
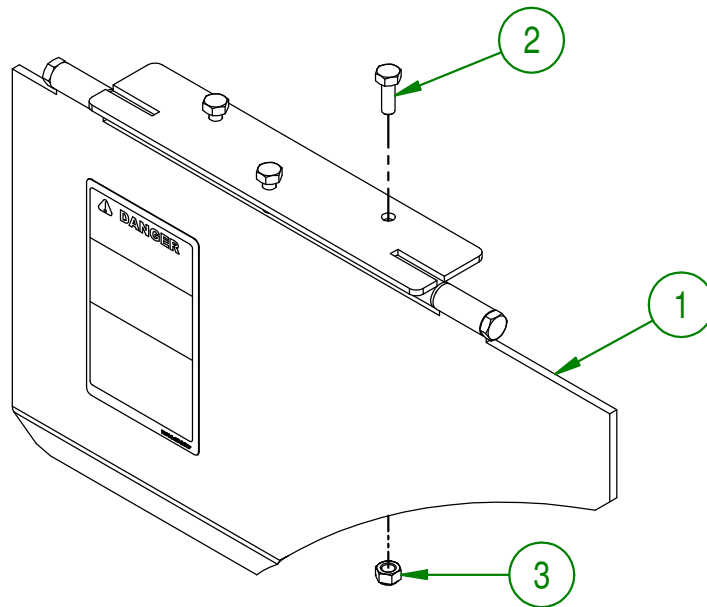
AGRIMETAL	
SNOW GUARD GROUP. (OUTSIDE RIGHT)	
CREATION : 09/07/18	ASSEMBLY : 49-57-0630
REVISION : 09/07/18	AUTHOR : J.KABWE Page 6 de 27

49-57-0631

#	PART #	Qty	TITLE
1	49-55-0592	1	SNOW GUARD (INSIDE RIGHT) ASSY.
2	NC01-37-0004	3	HEX. BOLT GR2 ZINC 1/4-28 X 3/4"
3	NC01-97-0004	3	NYLON-INSERT LOCKNUT ZINC 1/4-28

49-55-0592

#	PART #	Qty	TITLE
4	49-57-0592	1	SNOW GUARD (INSIDE RIGHT) " STICKER INCLUDED"
5	49-50-0595	1	SNOW GUARD SUPPORT
6	NC01-17-0068	2	HEX. BOLT GR2 NC ZINC 5/16-18 X 3"
7	NC01-96-0010	2	NYLON NUT HEX. ZINC 5/16-18



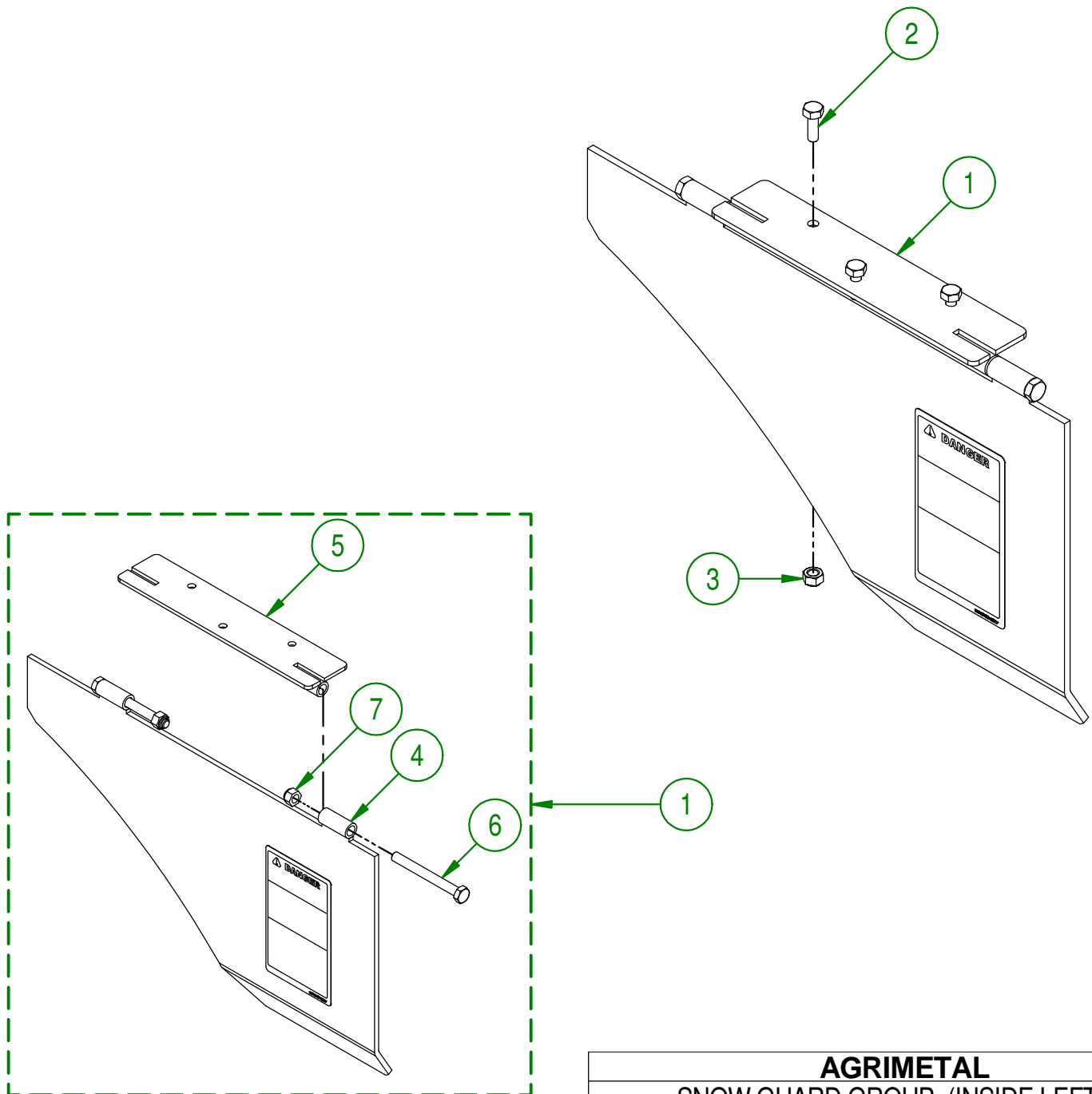
AGRIMETAL	
SNOW GUARD GROUP. (INSIDE LEFT)	
CREATION : 09/07/18	ASSEMBLY : 49-57-0631
REVISION : 09/07/18	AUTHOR : J.KABWE Page 7 de 27

49-57-0615

#	PART #	Qty	TITLE
1	49-55-0593	1	SNOW GUARD ASSY. (INSIDE LEFT)
2	NC01-37-0004	3	HEX. BOLT GR2 ZINC 1/4-28 X 3/4"
3	NC01-97-0004	3	NYLON-INSERT LOCKNUT ZINC 1/4-28

49-55-0593

#	PART #	Qty	TITLE
4	49-57-0593	1	SNOW GUARD GROUP (INSIDE LEFT) " STICKER INCLUDED"
5	49-50-0595	1	SNOW GUARD SUPPORT
6	NC01-17-0068	2	HEX. BOLT GR2 NC ZINC 5/16-18 X 3"
7	NC01-96-0010	2	NYLON NUT HEX. ZINC 5/16-18

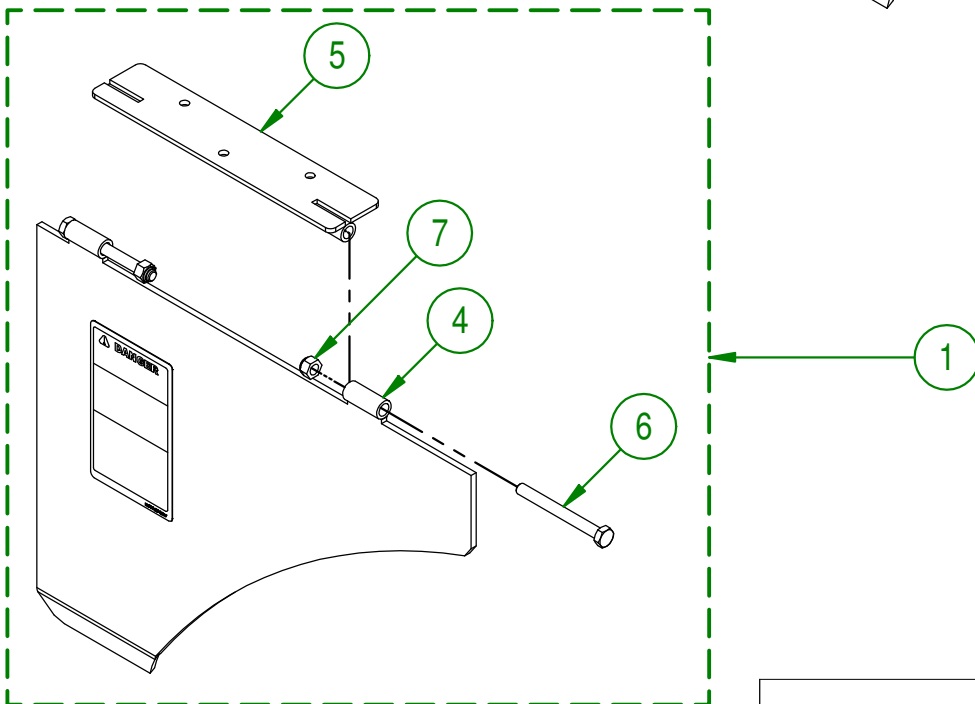
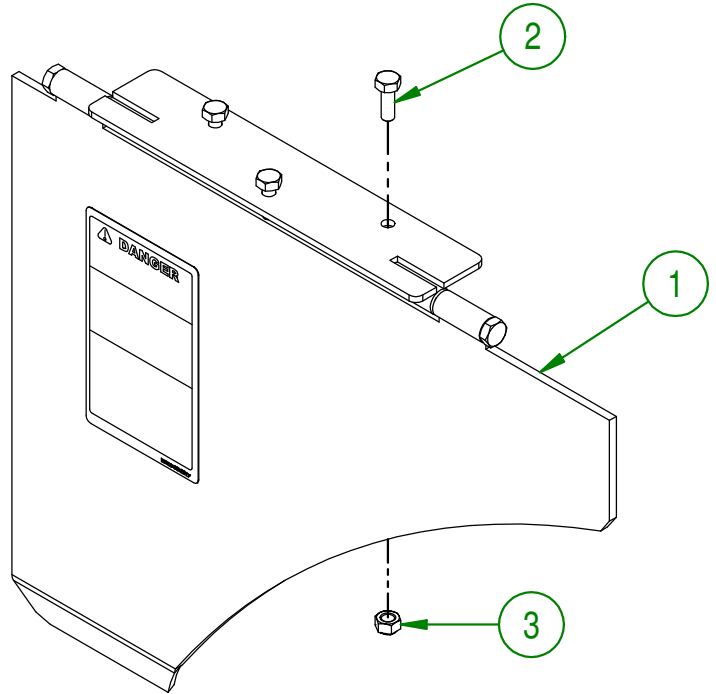


AGRIMETAL	
SNOW GUARD GROUP. (INSIDE LEFT)	
CREATION : 09/07/18	ASSEMBLY : 49-57-0615
REVISION : 09/07/18	AUTHOR : J.KABWE Page 8 de 27

#	PART #	Qty	TITLE
1	49-55-0591	1	SNOW GUARD (OUTSIDE LEFT)
2	NC01-37-0004	3	HEX. BOLT GR2 ZINC 1/4-28 X 3/4"
3	NC01-97-0004	3	NYLON-INSERT LOCKNUT ZINC 1/4-28

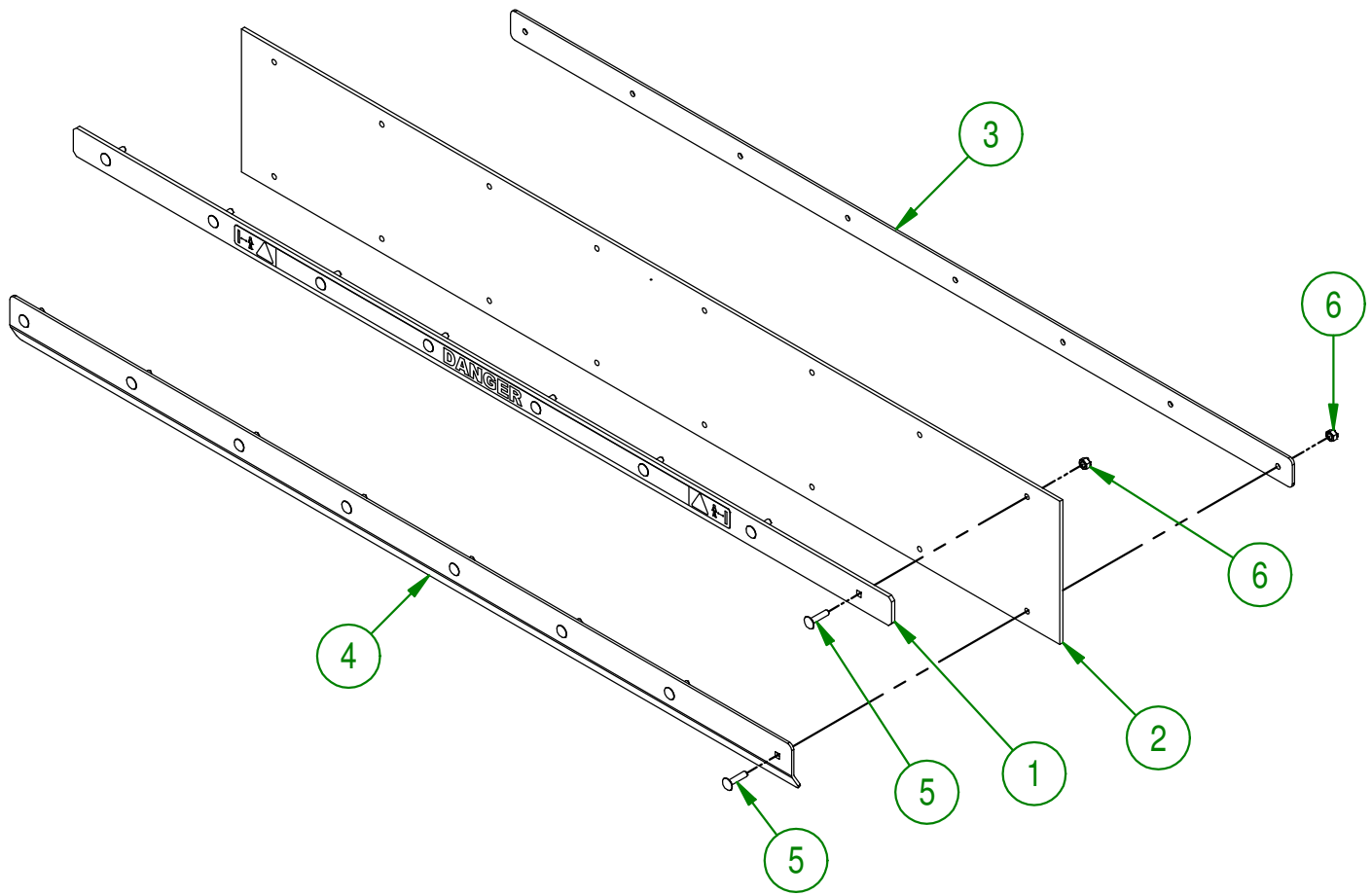
49-55-0591

#	PART #	Qty	TITLE
4	49-57-0590	1	SNOW GUARD GROUP. " STICKER INCLUDED"
5	49-50-0595	1	SNOW GUARD SUPPORT
6	NC01-17-0068	2	HEX. BOLT GR2 NC ZINC 5/16-18 X 3"
7	NC01-96-0010	2	NYLON NUT HEX. ZINC 5/16-18



AGRIMETAL	
SNOW GUARD GROUP. (OUTSIDE LEFT)	
CREATION : 09/07/18	ASSEMBLY : 49-57-0620
REVISION : 09/07/18	AUTHOR : J.KABWE Page 9 de 27

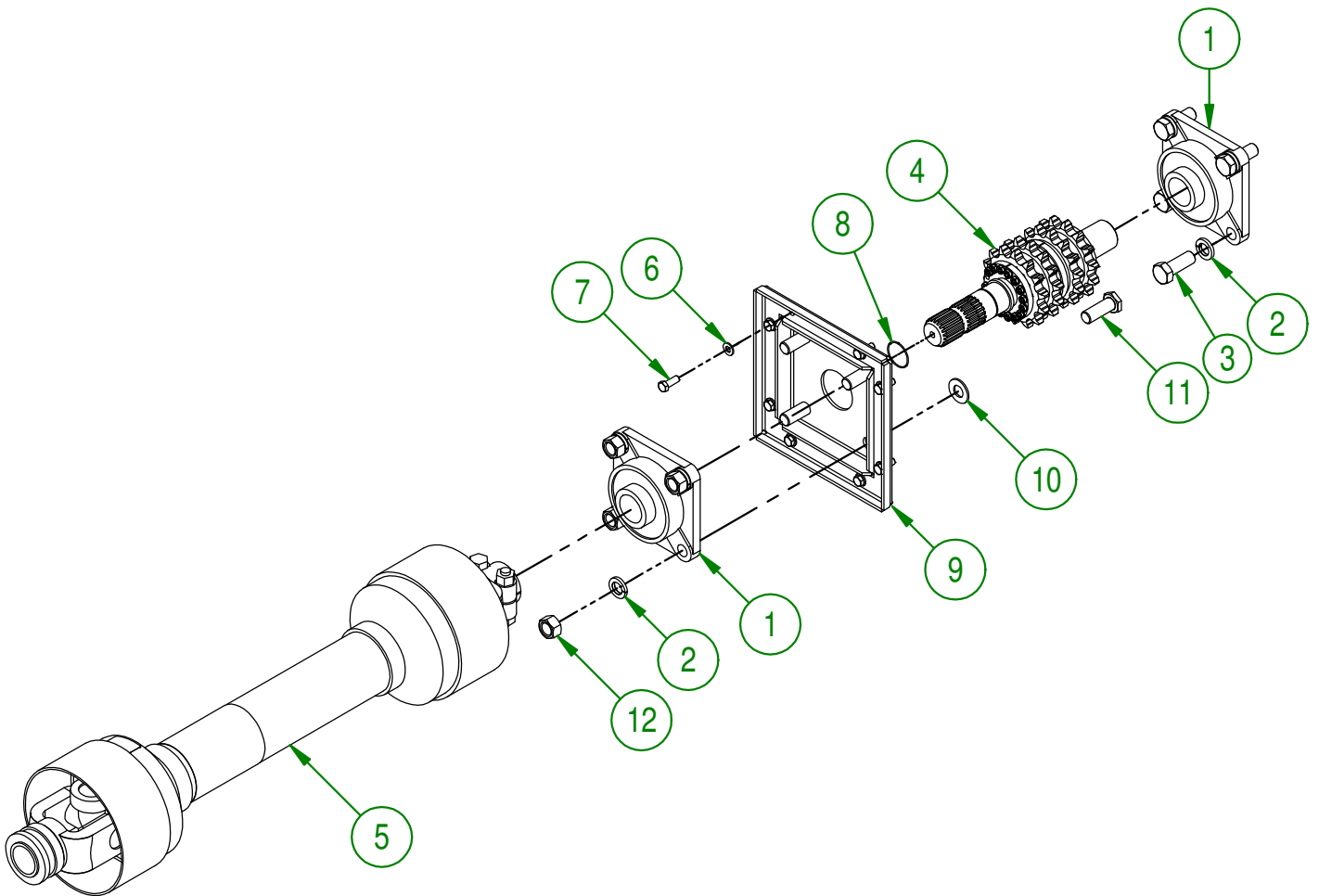
#	PART #	Qty	TITLE
1	49-04-0027	1	SNOW GUARD REINFORCING
2	NC13-15-0094	1	SNOW GUARD
3	49-01-0990	1	SNOW GUARD BOTTOM
4	49-01-0985	1	SNOW GUARD BOTTOM
5	NC01-04-0005	16	CARR. BOLT GR2 ZINC 1/4-20 X 1"
6	NC01-96-0009	16	NYLON-INSERT LOCKNUT ZINC 1/4-20



AGRIMETAL	
SNOW GUARD GROUP	
CREATION : 09/07/18	ASSEMBLY : 49-57-0795
REVISION : 09/07/18	AUTHOR : J.KABWE Page 10 de 27

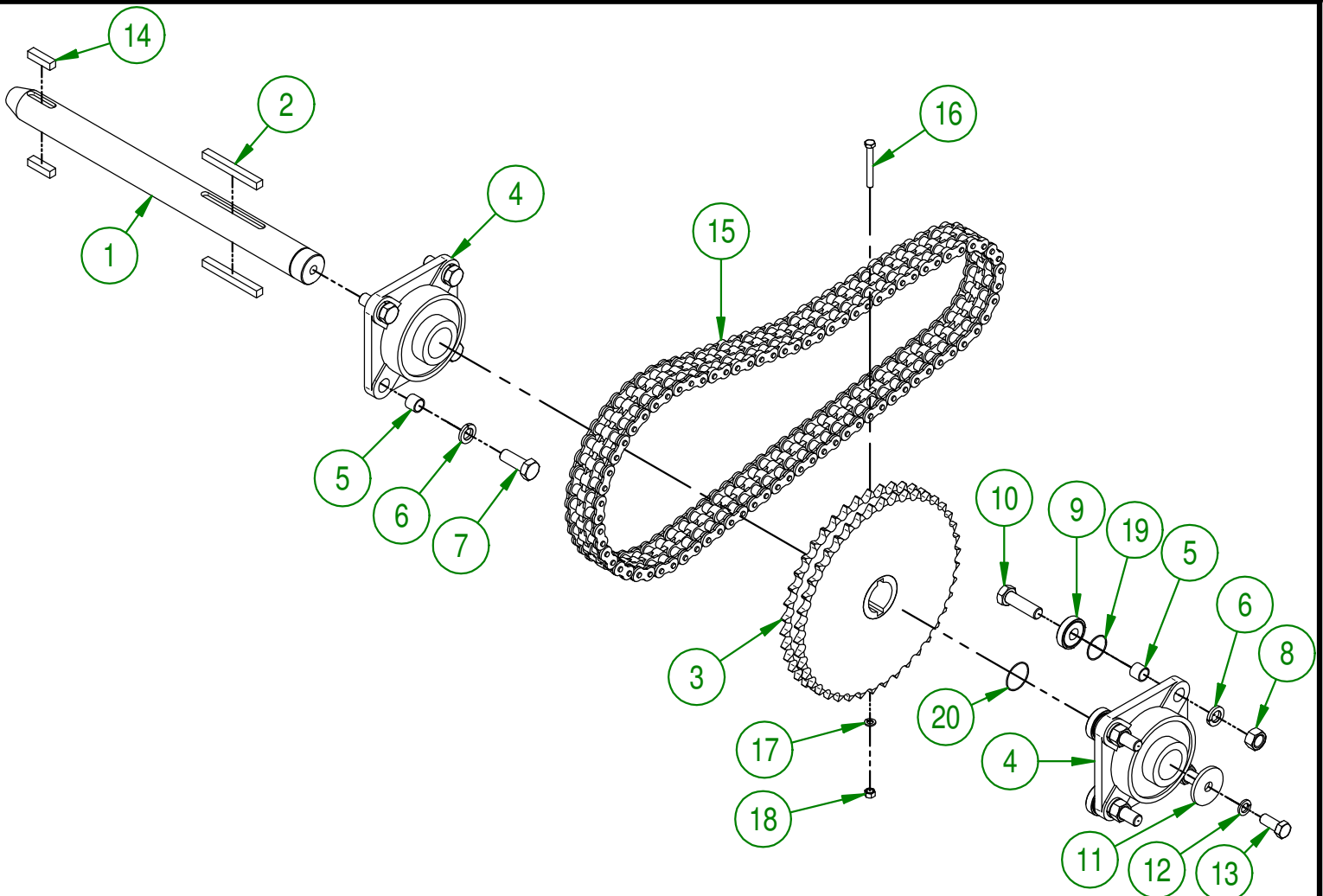
49-57-0050

#	PART #	Qty	TITLE
1	NC14-75-0027	2	MOUNTED BALL BEARING WITH 4 BOLTS UCF309-28 3/4" ID
2	NC02-32-0017	8	LOCK WASHER ZINC 3/4"
3	NC01-17-0467	4	HEX. BOLT GR2 ZINC 3/4-10 X 2"
4	49-55-0550	1	PTO SHAFT & BEARING UCF309-28 ASSY.
5	49-34-0030	1	PTO SHAFT T90 1000RPM
6	49-22-1810	8	WASHER
7	NC01-17-0114	8	HEX. BOLT GR2 ZINC 3/8-16 X 1"
8	NC13-15-0098	1	O-RING 1/16 XI/2 X 1 5/8
9	49-50-0600	1	ACCESS DOOR BEARING SUPPORT (PTO)(OIL)
10	49-22-1405	4	WASHER
11	49-30-9955	4	BALL BEARING BOLT
12	NC02-07-0023	4	HEX. NUT ZINC 3/4-10



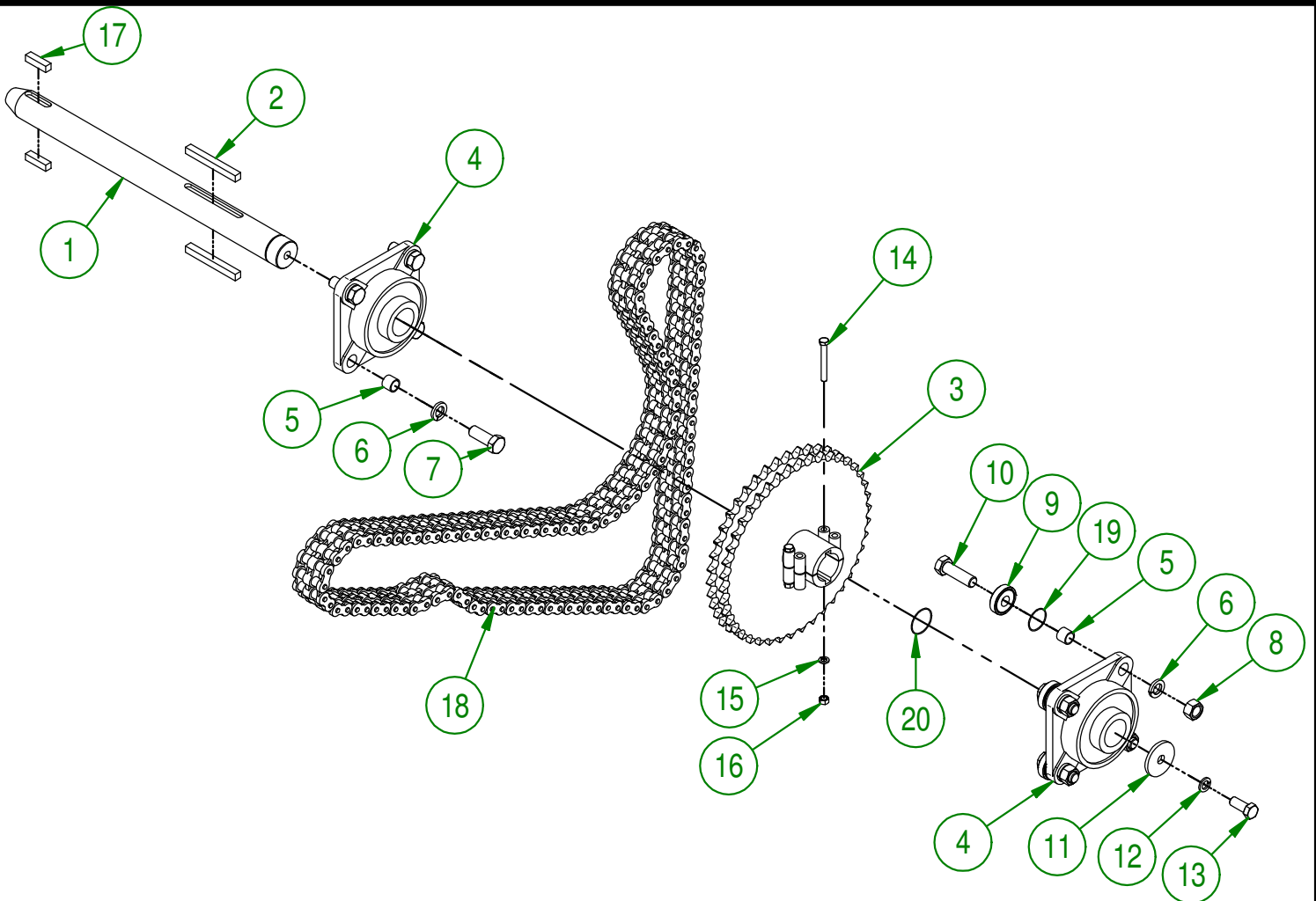
AGRIMETAL	
DRIVE GROUP (PTO)	
CREATION : 30/05/18	ASSEMBLY : 49-57-0050
REVISION : 16/08/18	AUTHOR : J.KABWE Page 11 de 27

#	PART #	Qty	TITLE
1	49-20-0056	1	IMPELLER SHAFT
2	49-41-0900	2	IMPELLER SPROCKET KEY WAY
3	49-50-0561	1	IMPELLER SPROCKET SHAFT (DOUBLE)
4	NC14-75-0028	2	MOUNTED BALL BEARING WITH 4 BOLTS UCF311-32 2" ID
5	49-09-1225	8	BEARING RING (UCF-311)
6	NC02-32-0017	8	LOCK WASHER ZINC 3/4"
7	NC01-17-0467	4	HEX. BOLT GR2 ZINC 3/4-10 X 2"
8	NC02-07-0023	4	HEX. NUT ZINC 3/4-10
9	49-21-0000	4	BEARING BOLT BUSHING
10	NC01-17-0469	4	BOLT GR2 NC ZINC 3/4-10 X 2 1/2"
11	49-13-2610	1	WASHER
12	NC02-32-0016	1	LOCK WASHER ZINC 5/8"
13	NC01-29-0394	1	HEX. BOLT GR5 NF ZINC 5/8-18 X 1 1/2"
14	49-41-0905	2	IMPELLER FLANGE KEY WAY
15	49-37-1015	1	CHAIN #80 DOUBLE X 77 1/2"
16	NC01-17-0122	2	HEX. BOLT GR2 ZINC 3/8-16 X 3"
17	NC02-32-0012	2	LOCK WASHER ZINC 3/8"
18	NC02-07-0018	2	HEX. NUT ZINC 3/8-16
19	NC13-15-0098	4	O-RING 1/16 X 1/2 X 1 5/8
20	NC13-15-0100	1	O-RING 1/16 X 1 3/4 X 1 7/8



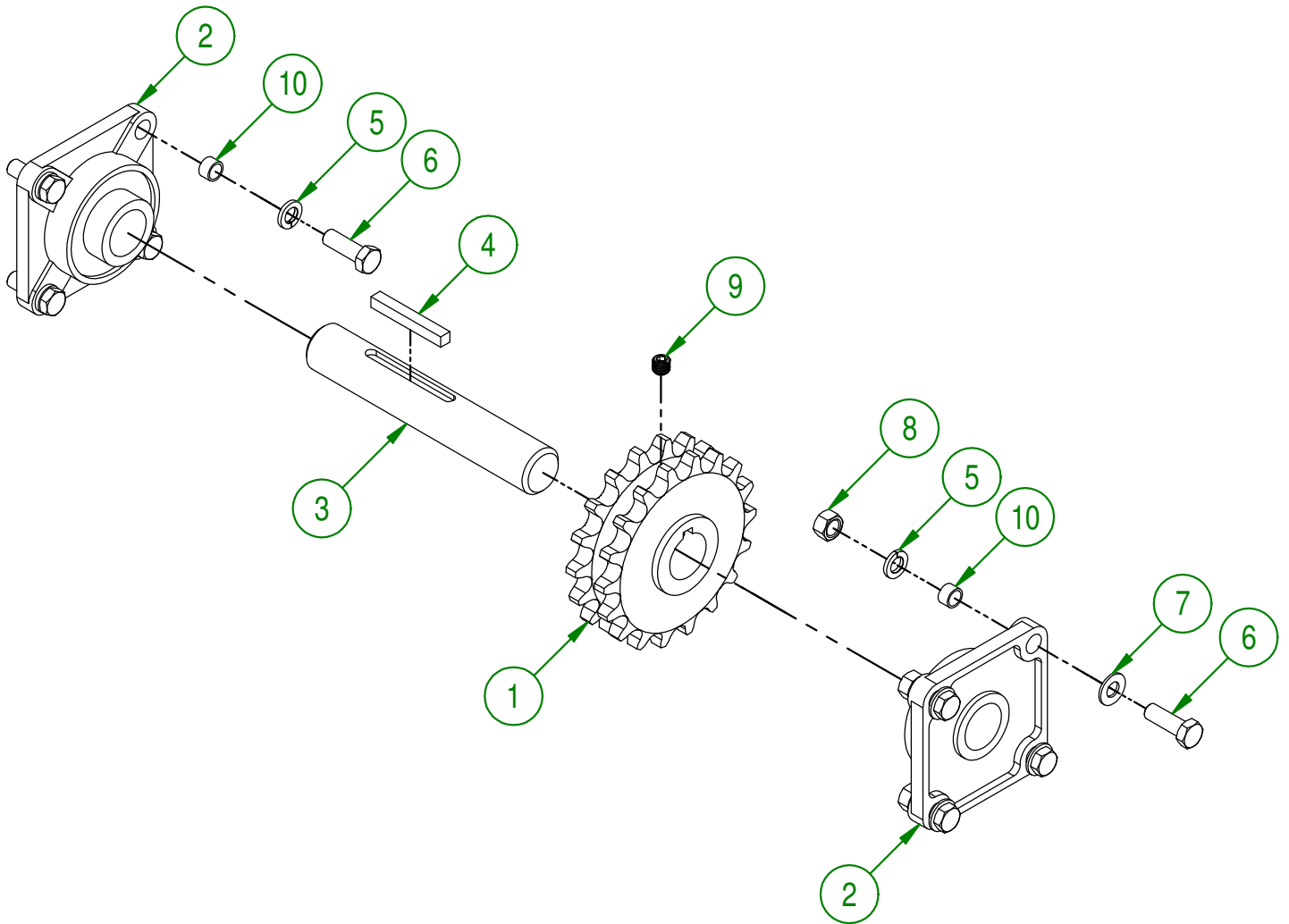
AGRIMETAL	
IMPELLER DRIVE GROUP. (RIGHT)	
CREATION : 06/07/18	ASSEMBLY : 49-57-0530
REVISION : 09/07/18	AUTHOR : J.KABWE Page 12 de 27

#	PART #	Qty	TITLE
1	49-20-0056	1	IMPELLER SHAFT
2	49-41-0900	2	IMPELLER SPROCKET KEY WAY
3	49-50-0561	1	IMPELLER SPROCKET SHAFT (DOUBLE)
4	NC14-75-0028	2	MOUNTED BALL BEARING WITH 4 BOLTS UCF311-32 2" ID
5	49-09-1225	8	BEARING RING (UCF-311)
6	NC02-32-0017	8	LOCK WASHER ZINC 3/4"
7	NC01-17-0467	4	HEX. BOLT GR2 ZINC 3/4-10 X 2"
8	NC02-07-0023	4	HEX. NUT ZINC 3/4-10
9	49-21-0000	4	BEARING BOLT BUSHING
10	NC01-17-0469	4	BOLT GR2 NC ZINC 3/4-10 X 2 1/2"
11	49-13-2610	1	WASHER
12	NC02-32-0016	1	LOCK WASHER ZINC 5/8"
13	NC01-29-0394	1	HEX. BOLT GR5 NF ZINC 5/8-18 X 1 1/2"
14	NC01-17-0122	2	HEX. BOLT GR2 ZINC 3/8-16 X 3"
15	NC02-32-0012	2	LOCK WASHER ZINC 3/8"
16	NC02-07-0018	2	HEX. NUT ZINC 3/8-16
17	49-41-0905	2	IMPELLER FLANGE KEY WAY
18	49-37-1010	1	CHAIN #80 DOUBLE X 123 1/2"
19	NC13-15-0098	4	O-RING 1/16 X 1/2 X 1 5/8
20	NC13-15-0100	1	O-RING 1/16 X 1 3/4 X 1 7/8



AGRIMETAL	
IMPELLER DRIVE GROUP. (LEFT)	
CREATION : 06/07/18	ASSEMBLY : 49-57-0525
REVISION : 10/07/18	AUTHOR : J.KABWE Page 13 de 27

#	PART #	Qty	TITLE
1	49-50-0524	1	DOUBLE AUXILIARY SPROCKET
2	NC14-75-0158	2	MOUNTED BALL BEARING WITH 4 BOLTS UCF208-24 1 1/2" ID
3	49-13-2001	1	TOP AUXILIARY SPROCKET SHAFT
4	44-41-0905	1	IMPELLER SHAFT KEY WAY
5	NC02-32-0014	8	LOCK WASHER ZINC 1/2"
6	NC01-29-0249	8	HEX. BOLT GR5 NF ZINC 1/2-20 X 1 1/2"
7	49-22-1805	4	WASHER
8	NC02-10-0020	4	HEX. NUT ZINC 1/2-20
9	NC02-44-1142	3	SET SCREW 1/2-20 X 1/2"
10	NC13-80-0061	8	PAD STEEL POWDER 1/2" X 5/8" X 3/8"

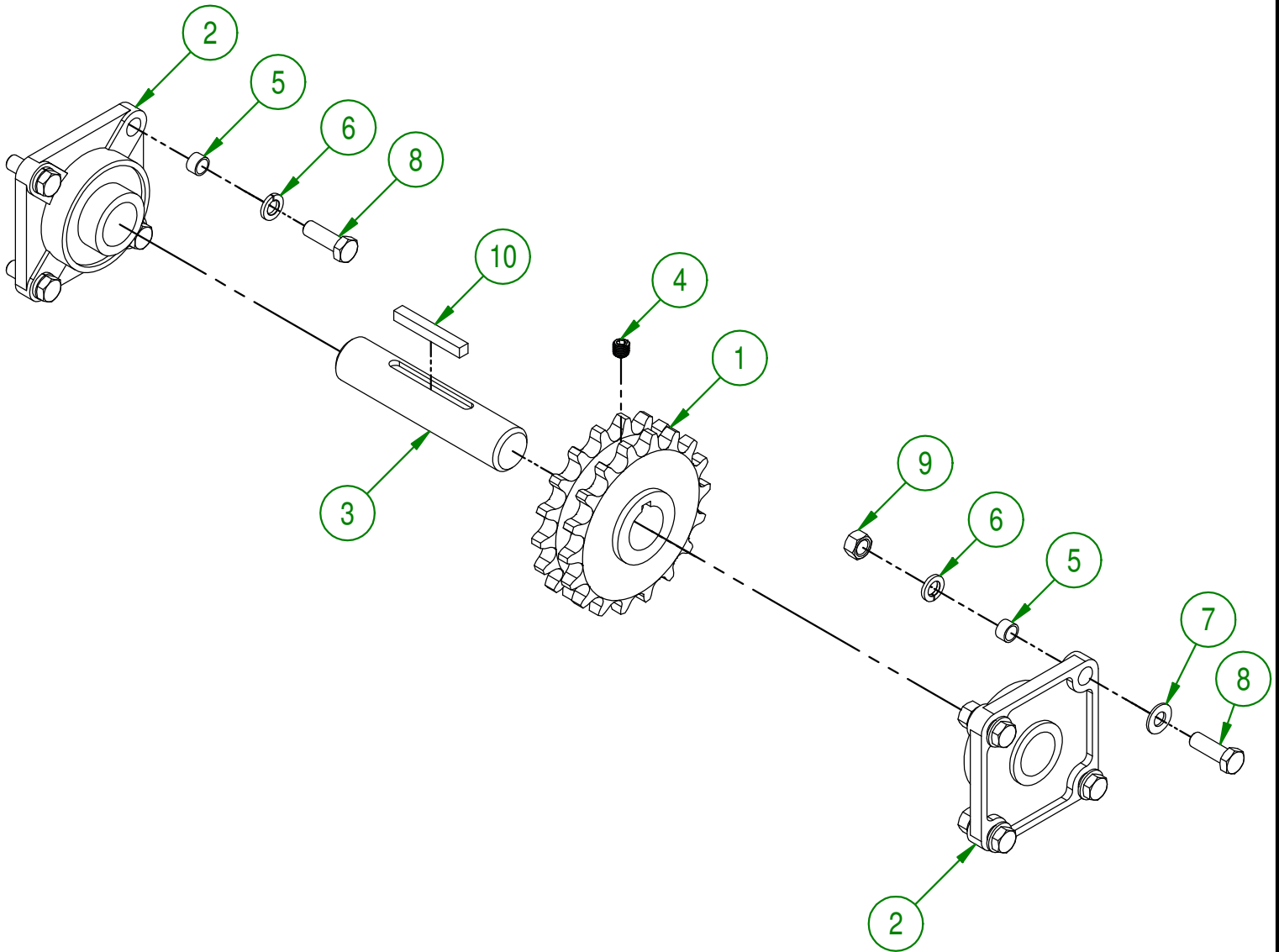
**AGRIMETAL****AUXILIARY SPROCKET GROUP. (TOP)**

CREATION : 31/05/18
 REVISION : 01/06/18

ASSEMBLY : **49-57-0055**

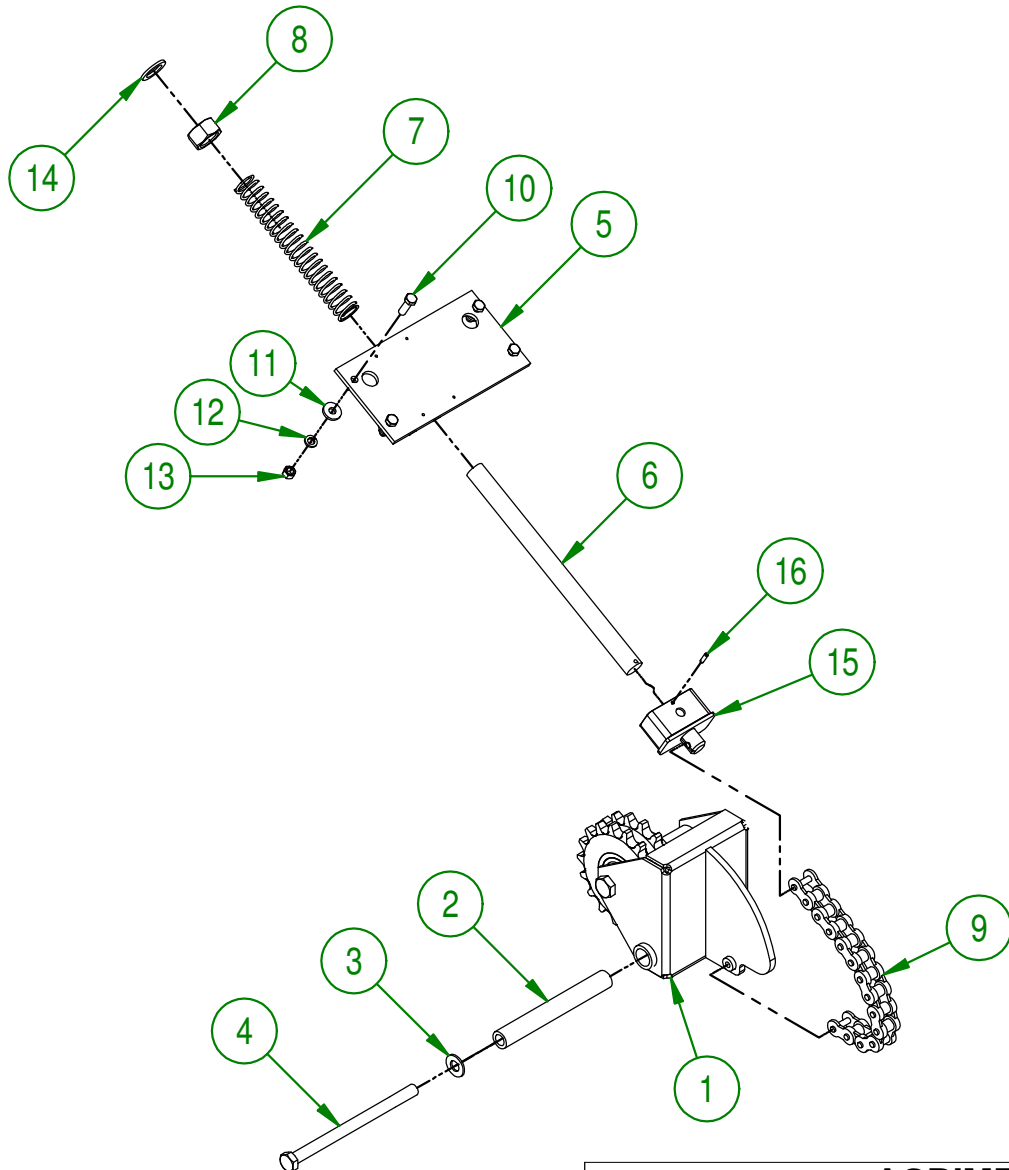
AUTHOR : J.KABWE Page 14 de 27

#	PART #	Qty	TITLE
1	49-50-0524	1	DOUBLE AUXILIARY SPROCKET
2	NC14-75-0158	2	MOUNTED BALL BEARING WITH 4 BOLTS UCF208-24 1 1/2" ID
3	49-13-2004	1	BOTTOM AUXILIARY SPROCKET SHAFT
4	NC02-44-1142	3	SET SCREW 1/2-20 X 1/2"
5	NC13-80-0061	8	PAD STEEL POWDER 1/2" X 5/8" X 3/8"
6	NC02-32-0014	8	LOCK WASHER ZINC 1/2"
7	49-22-1805	4	WASHER
8	NC01-29-0249	8	HEX. BOLT GR5 NF ZINC 1/2-20 X 1 1/2"
9	NC02-10-0020	4	HEX. NUT ZINC 1/2-20
10	44-41-0905	1	IMPELLER SHAFT KEY WAY



AGRIMETAL	
AUXILIARY SPROCKET GROUP. (BOTTOM)	
CREATION : 31/05/18	ASSEMBLY : 49-57-0056
REVISION : 01/06/18	AUTHOR : J.KABWE Page 15 de 27

#	PART #	Qty	TITLE
1	49-55-0517	1	CHAIN TIGHTENER (OIL) (RIGHT) ASSY.
2	49-09-1230	1	CHAIN TIGHTENER PIVOT
3	49-22-1400	1	WASHER
4	NC01-33-0424	1	HEX. BOLT GR8 NC ZINC 5/8-11 X 9" LG
5	49-50-0525	1	CHAIN TIGHTENER STOPPER " WITH PLATE"
6	49-31-0405	1	1"-14 THREAD ROD
7	NC13-85-0048	1	COMP. SPRING .120" WIRE X 1.030" ID X 9"
8	NC02-10-0025	1	HEX NUT 1-14
9	49-37-1017	1	CHAIN #80 HD X 8" LG
10	NC01-37-0115	4	HEX. BOLT GR8 NF ZINC 3/8-24 X 1 1/4"
11	21-01-0950	4	FLAT WASHER 10GA 1.005" DIA X 25/64"
12	NC02-32-0012	4	LOCK WASHER ZINC 3/8"
13	NC02-07-0018	4	HEX. NUT ZINC 3/8-16
14	NC02-18-8143	1	BLACK SHIM RINGS .134" X 1" X 1/2"
15	49-50-0110	1	TIGHTENER SPRING BOX
16	NC01-69-0415	1	SPRING PIN 3/16" X 3/4"

**AGRIMETAL****SPROCKET CHAIN TIGHTENER GROUP. (RIGHT)**

CREATION : 09/07/18
 REVISION : 10/07/18

ASSEMBLY : **49-57-0800**

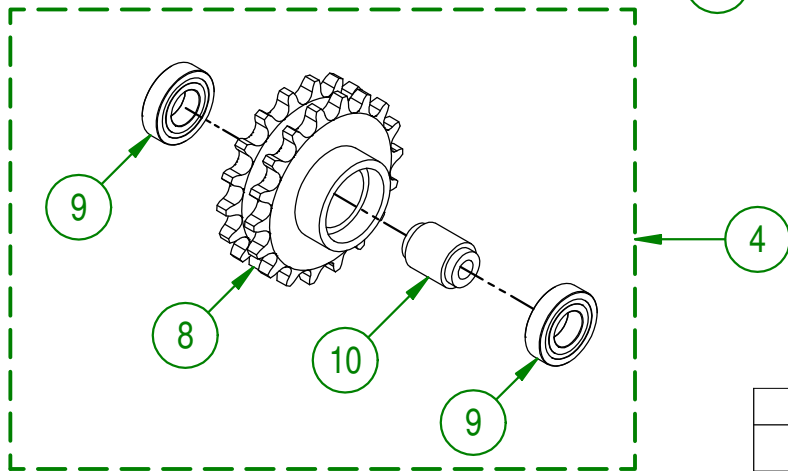
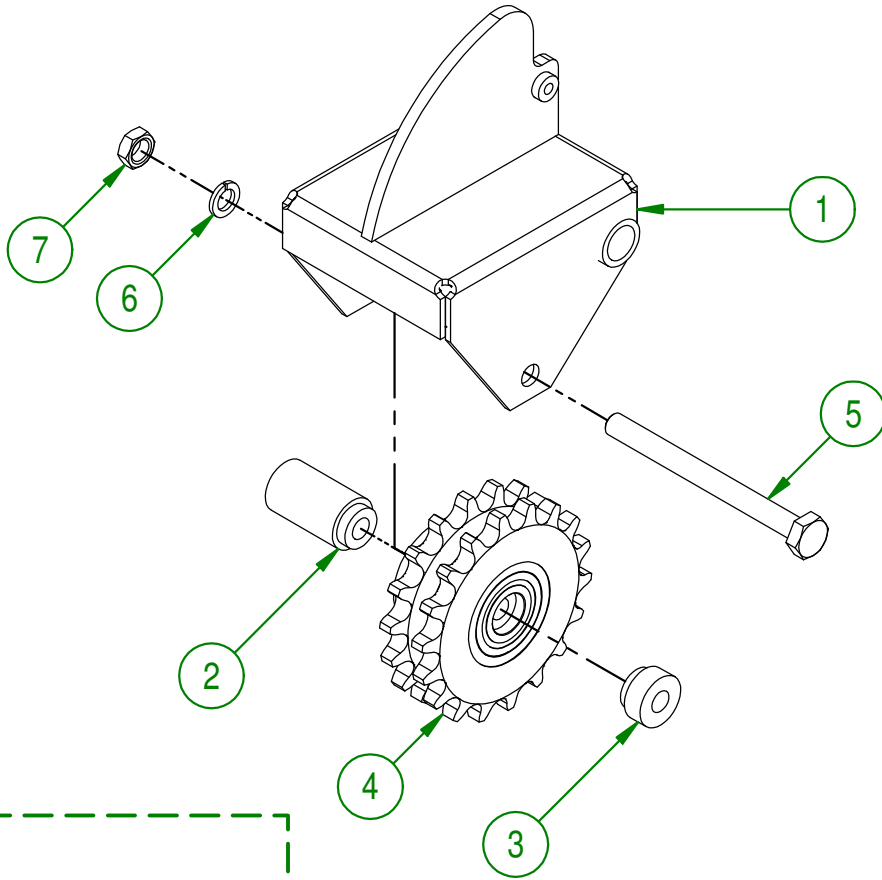
AUTHOR : J.KABWE | Page 16 de 27

49-55-0517

#	PART #	Qty	TITLE
1	49-50-0020	1	CHAIN TIGHTENER (OIL)
2	49-13-2010	1	TIGHTENER SPROCKET SHAFT (LONG)
3	49-13-2005	1	TIGHTENER SPROCKET SHAFT (SHORT)
4	49-55-0521	1	SPROCKET 80X18 & BEARING 6206 XI 3/16" ID (DOUBLE TIGHTENER)
5	NC01-25-0452	1	HEX. BOLT GR5 NC ZINC 5/8-11 X 7"
6	NC02-32-0016	1	LOCK WASHER ZINC 5/8"
7	NC02-01-0006	1	HEX. NUT 5/8-11

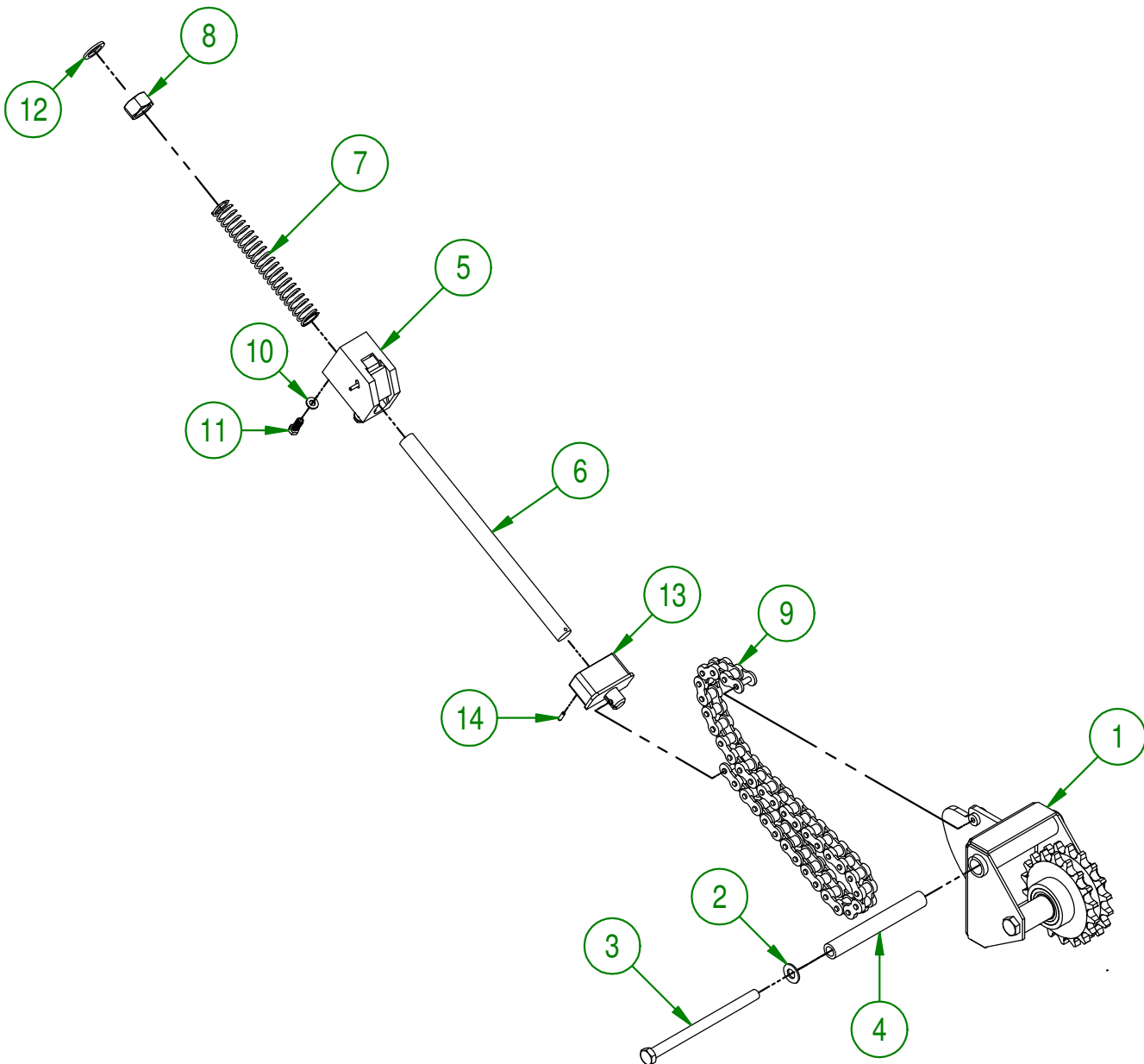
49-55-0521

#	PART #	Qty	TITLE
8	49-50-0521	1	TIGHTENER SPROCKET (DOUBLE)
9	NC14-75-0091	2	6206 ZZ BEARING
10	49-13-2007	1	TIGHTENER SPROCKET SHAFT (MIDDLE)



AGRIMETAL	
CHAIN TIGHTENER (OIL) (RIGHT) ASSY.	
CREATION : 01/06/18	ASSEMBLY : 49-55-0517
REVISION : 01/06/18	AUTHOR : J.KABWE Page 17 de 27

#	PART #	Qty	TITLE
1	49-55-0518	1	CHAIN TIGHTENER (OIL) (LEFT) ASSY.
2	49-22-1400	1	WASHER
3	NC01-33-0424	1	HEX. BOLT GR8 NC ZINC 5/8-11 X 9" LG
4	49-09-1230	1	CHAIN TIGHTENER PIVOT
5	49-50-0530	1	CHAIN TIGHTENER STOPPER (WITH BOLTS)
6	49-31-0400	1	1"-14 THREAD ROD
7	NC13-85-0048	1	COMP. SPRING .120" WIRE X 1.030" ID X 9"
8	NC02-10-0025	1	HEX NUT 1-14
9	49-37-1012	1	CHAIN #80 HD X 29 1/2"
10	49-22-1810	4	WASHER
11	NC01-37-0114	4	BOLT GR8 3/8" X 1"
12	NC02-18-8143	1	BLACK SHIM RINGS .134" X 1" X 1 1/2"
13	49-50-0110	1	TIGHTENER SPRING BOX
14	NC01-69-0415	1	SPRING PIN 3/16" X 3/4"



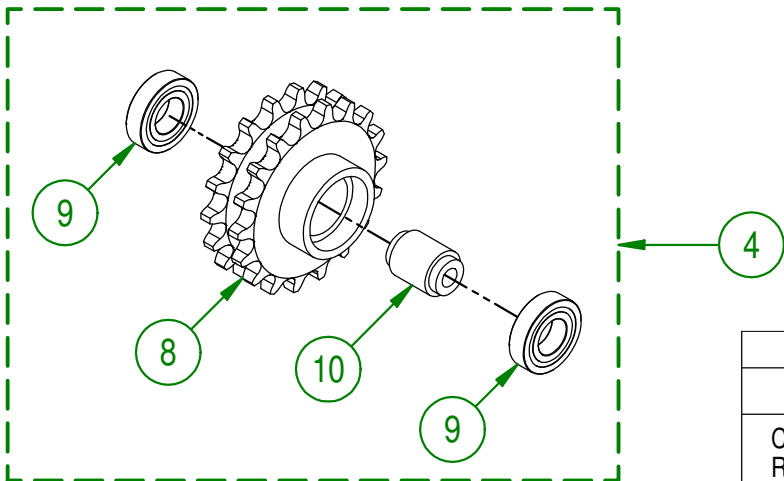
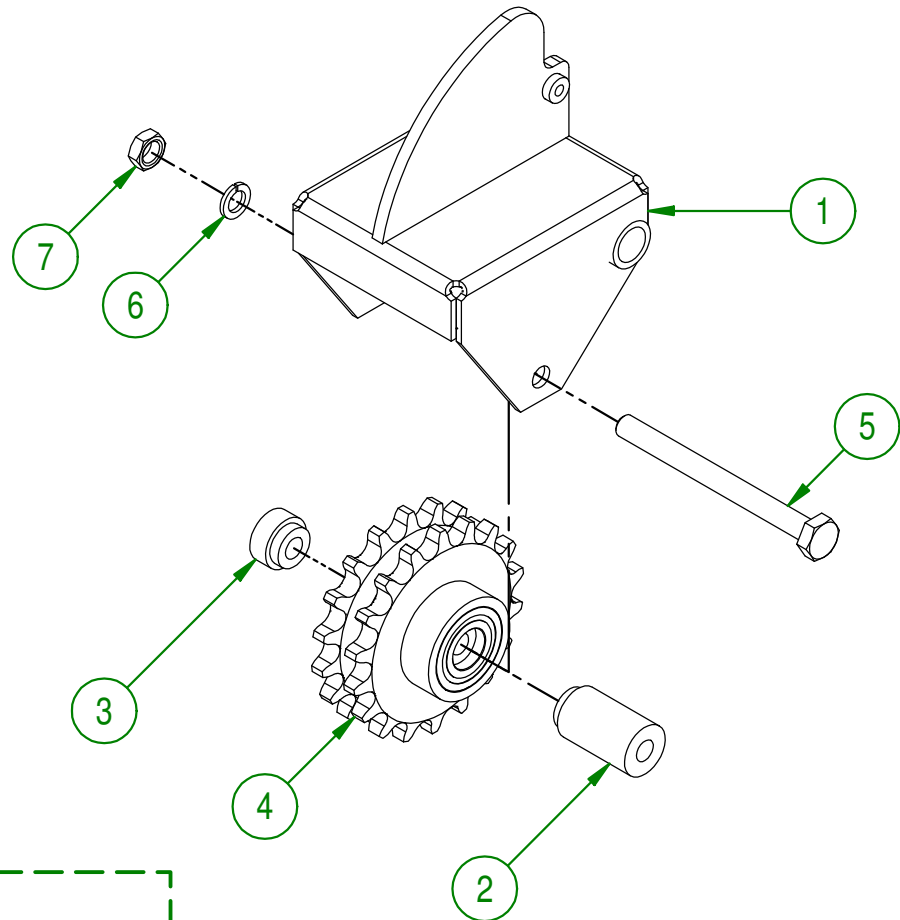
AGRIMETAL	
SPROCKET CHAIN TIGHTENER GROUP (LEFT)	
CREATION : 09/07/18	ASSEMBLY : 49-57-0805
REVISION : 09/07/18	AUTHOR : J.KABWE Page 18 de 27

49-55-0518

#	PART #	Qty	TITLE
1	49-50-0020	1	CHAIN TIGHTENER (OIL)
2	49-13-2010	1	TIGHTENER SPROCKET SHAFT (LONG)
3	49-13-2005	1	TIGHTENER SPROCKET SHAFT (SHORT)
4	49-55-0521	1	SPROCKET 80X18 & BEARING 6206 XI 3/16" ID (DOUBLE TIGHTENER)
5	NC01-25-0452	1	HEX. BOLT GR5 NC ZINC 5/8-11 X 7"
6	NC02-32-0016	1	LOCK WASHER ZINC 5/8"
7	NC02-01-0006	1	HEX. NUT 5/8-11

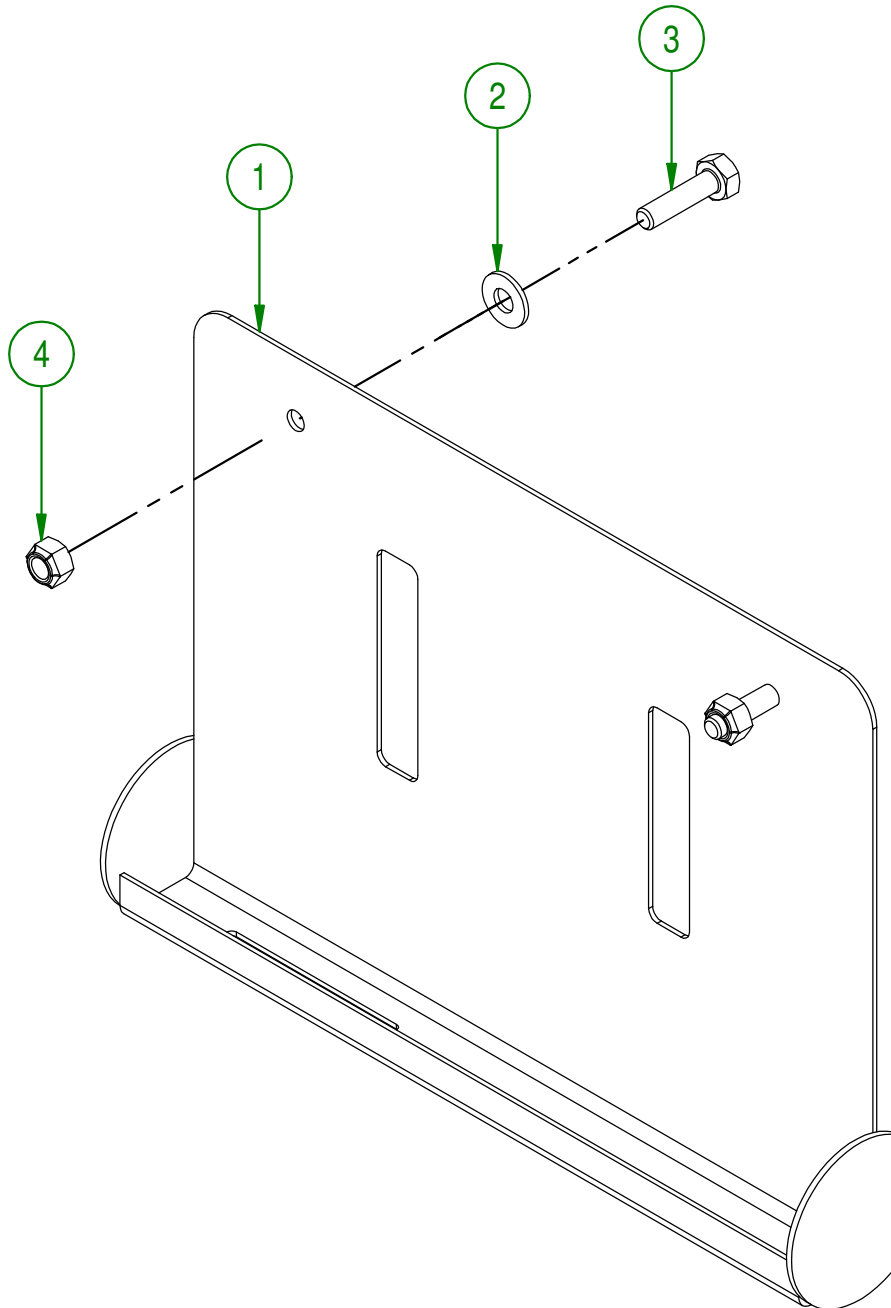
49-55-0521

#	PART #	Qty	TITLE
8	49-50-0521	1	TIGHTENER SPROCKET (DOUBLE)
9	NC14-75-0091	2	6206 ZZ BEARING
10	49-13-2007	1	TIGHTENER SPROCKET SHAFT (MIDDLE)

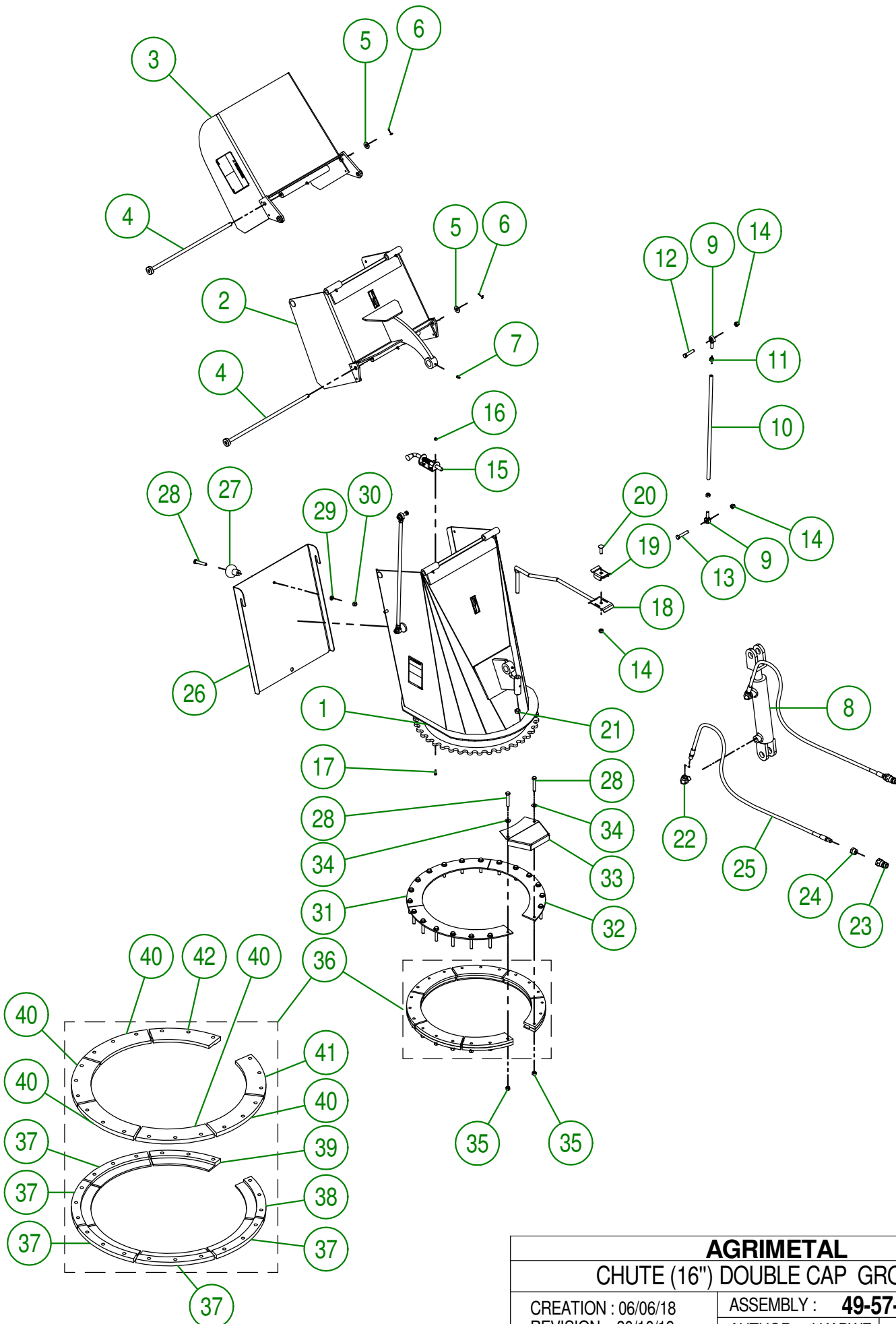


AGRIMETAL	
CHAIN TIGHTENER (OIL) (LEFT) ASSY.	
CREATION : 01/06/18	ASSEMBLY : 49-55-0518
REVISION : 01/06/18	AUTHOR : J.KABWE Page 19 de 27

#	PART #	Qty	TITLE
1	49-50-0030	1	OIL SLAB
2	NC02-25-0007	2	WASHER ZINC 0.281 = 9/32
3	NC01-17-0006	2	HEX. BOLT 1/4-20 X 1"
4	NC01-96-0009	2	NYLON-INSERT LOCKNUT ZINC 1/4-20



AGRIMETAL	
OIL SLAB GROUP	
CREATION : 04/06/18	ASSEMBLY : 49-57-0080
REVISION : 04/06/18	AUTHOR : J.KABWE Page 20 de 27



AGRIMETAL	
CHUTE (16") DOUBLE CAP GROUP.	
CREATION : 06/06/18	ASSEMBLY : 49-57-0365
REVISION : 30/10/19	AUTHOR : J.KABWE Page 21 de 27

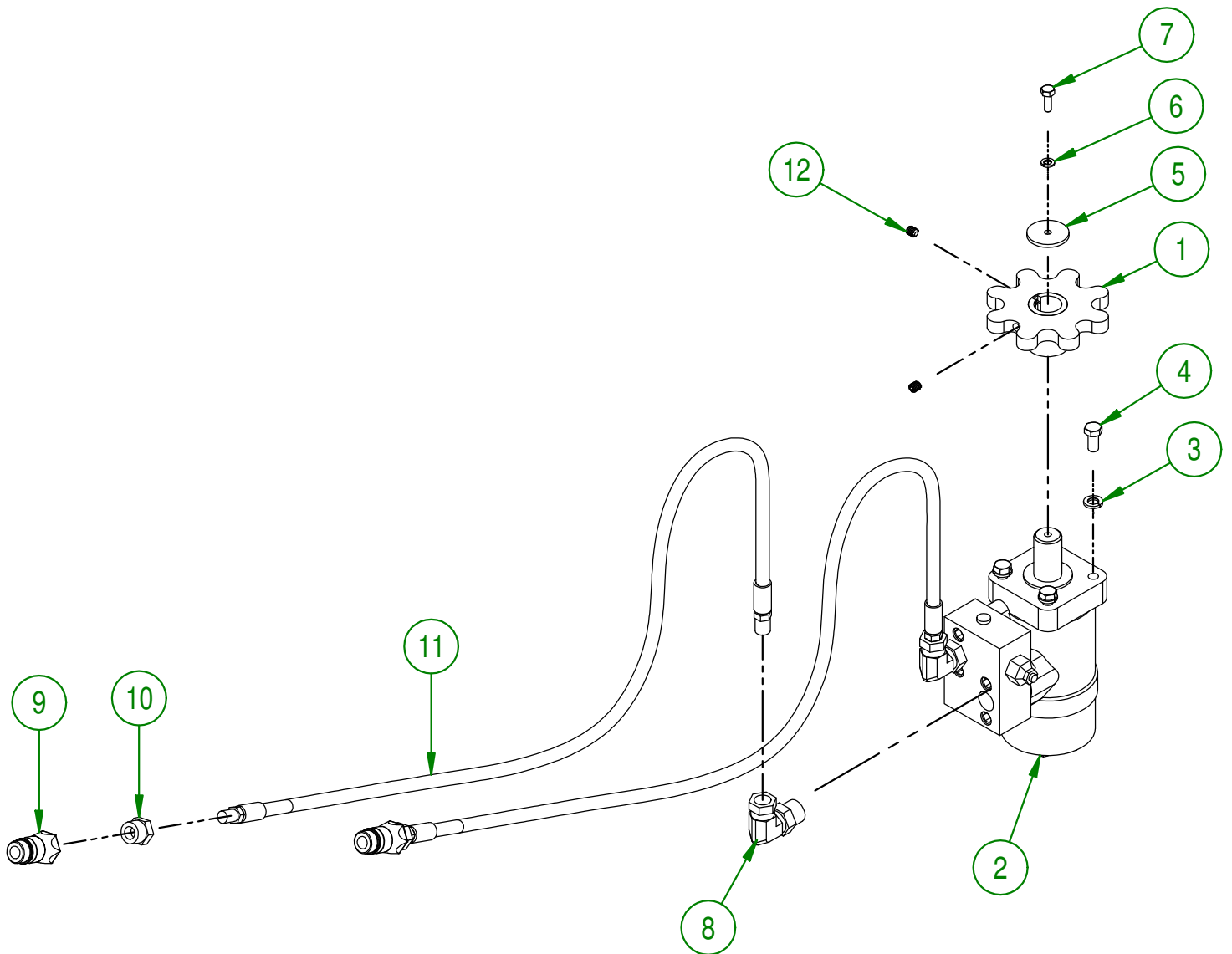
49-57-0365

#	PART #	Qty	TITLE
1	49-57-0300	1	BOTTOM SECTION (CHUTE 16") "STICKER INCLUDED" GROUP.
2	49-57-0310	1	MIDDLE SECTION (CHUTE 16") "STICKER INCLUDED" GROUP.
3	49-57-0320	1	TOP SECTION (CHUTE 16") "STICKER INCLUDED" GROUP.
4	49-50-0340	2	CHUTE PIVOT
5	NC02-25-0011	2	WASHER SAE ZINC 17/32 ID
6	NC01-69-0139	2	COTTER PIN ZINC 1/8" X 3/4"
7	NC01-69-0785	8	STRAIGHT GREASE FITTING 1/4-28
8	NC13-45-0209	1	HYDRAULIC CYLINDER 6"
9	NC01-67-0304	4	ROD END 3/8-24
10	48-13-0600	2	CHUTE ROD (DOUBLE)
11	NC02-10-0018	4	NUT 3/8-24
12	NC01-25-0117	2	HEX. BOLT GR5 ZINC 3/8-16 X 1 3/4" LG
13	NC01-25-0118	2	HEX. BOLT GR5 NC ZINC 3/8-16 X 2"
14	NC01-96-0011	5	NYLON NUT 3/8-16
15	NC13-80-0213	1	SPRING ROUND PIN LOCK 1/2" X 1 1/8" COURSE X 6.300" LG
16	NC01-96-0006	4	NYLON NUT ZINC 10-24
17	NC01-54-0110	4	BOLT STAINLESS STEEL 10-24 X 3/4 OR 3/16 X 3/4
18	48-50-1030	1	HYDRAULIC HOSE SUPPORT
19	48-01-7530	1	HYDRAULIC HOSE SUPPORT
20	NC01-04-0110	1	CARR. BOLT GR2 ZINC 3/8-16 X 1 1/4"
21	NC01-96-0014	1	NYLON-INSERT LOCKNUT ZINC 1/2-13
22	NC13-45-0038	2	ELBOW 90 3/8 FEM. NPT X 3/8 MALE NPT
23	NC13-45-0014	2	QUICK COUPLER 1/2-14 NPTF
24	NC13-45-0153	2	HEX. REDUCER 1/4 NPT X 1/2 NPT
25	NC17-02-0347	2	HYDRAULIC HOSE (111" LG)
26	49-57-0363	1	CHUTE DOOR (CHUTE 16") "STICKER INCLUDED" GROUP.
27	NC17-46-0018	1	HANDLE KNOB
28	NC01-17-0119	22	HEX. BOLT GR2 ZINC 3/8-16 X 2 1/4"
29	NC02-32-0012	1	LOCK WASHER ZINC 3/8"
30	NC02-07-0018	1	HEX. NUT ZINC 3/8-16
31	49-04-0012	1	BRACE
32	49-04-0013	2	BRACE
33	49-01-3025	1	SPROCKET GUARD
34	01-01-2485	21	FLAT WASHER 14 GA X 13/16"OD X 25/64" ID
35	NC01-93-0011	21	STEEL LOCK NUT NC ZINC 3/8-16
36	49-57-0810	1	CHUTE (16") DOUBLE CAP GROUP.

49-57-0810

#	PART #	Qty	TITLE
37	49-42-0105	5	CHUTE GUIDE (TOP)
38	49-42-0106	1	RIGHT CHUTE GUIDE (UNDER)
39	49-42-0107	1	LEFT CHUTE GUIDE (UNDER)
40	49-42-0100	5	CHUTE GUIDE (TOP)
41	49-42-0101	1	RIGHT CHUTE GUIDE (TOP)
42	49-42-0102	1	LEFT CHUTE GUIDE (TOP)

#	PART #	Qty	TITLE
1	48-50-1025	1	HYDRAULIC ENGINE SPROCKET
2	NC14-45-0146	1	HYDRAULIC MOTOR
3	NC02-32-0012	4	LOCK WASHER ZINC 3/8"
4	NC01-17-0112	4	HEX. BOLT GR2 ZINC 3/8-16 X 3/4"
5	39-01-1105	1	WASHER
6	NC02-32-0010	1	LOCK WASHER ZINC 1/4"
7	NC01-17-0004	1	HEX. BOLT GR2 ZINC 1/4-20 X 3/4"
8	NC13-45-0072	2	ELBOW 90 7/8-14 MALE SAE10 O-RING X 3/8 FEM. TOUR. NPT
9	NC13-45-0014	2	QUICK COUPLER 1/2-14 NPTF
10	NC13-45-0153	2	HEX. REDUCER 1/4 NPT X 1/2 NPT
11	NC17-02-0329	2	HYDRAULIC HOSE (87" LG)
12	NC02-44-0103	2	SET SCREW 5/16-18 X 3/8"



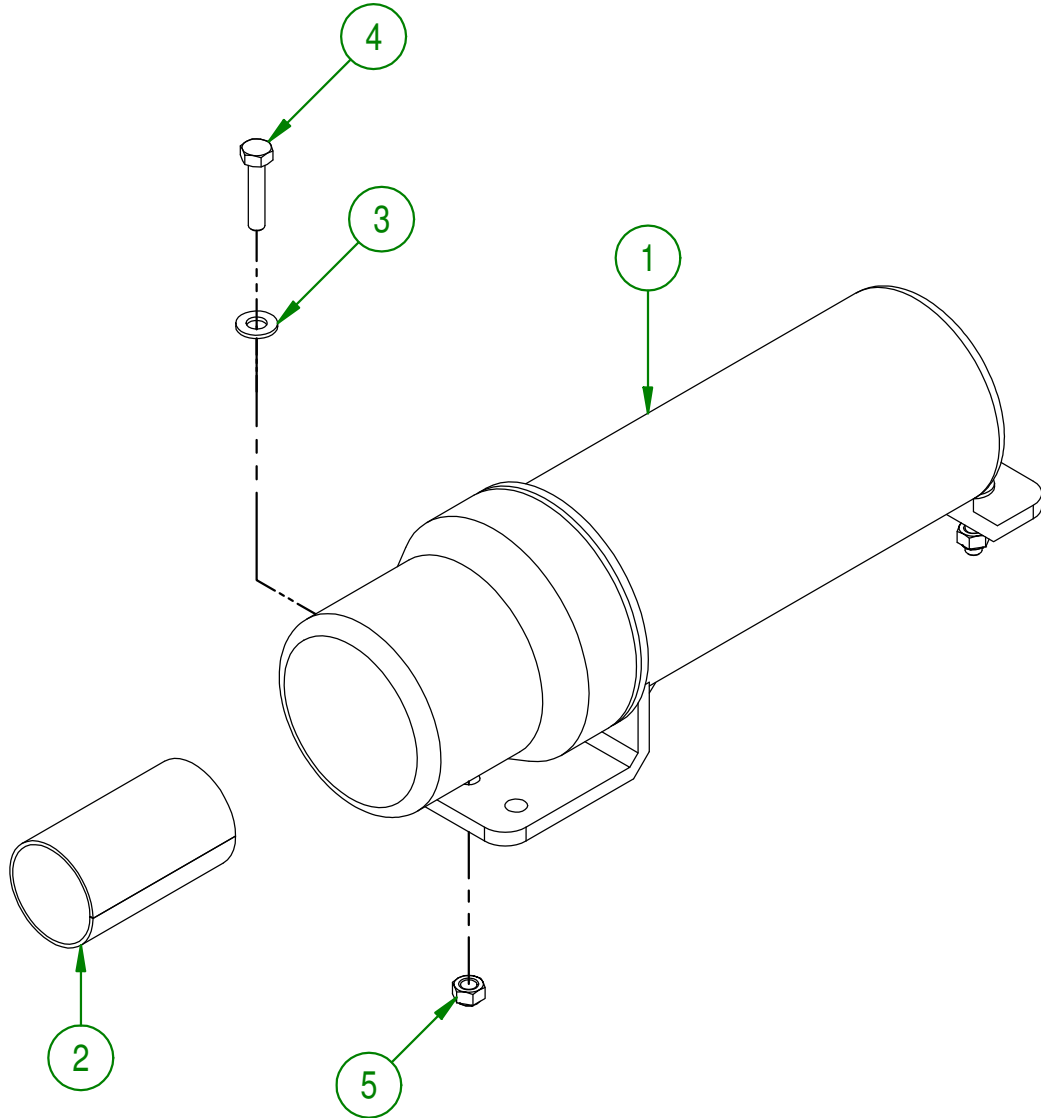
AGRIMETAL
HYDRAULIC MOTOR GROUP.

CREATION : 07/06/18
REVISION : 07/04/20

ASSEMBLY : **49-57-0075**

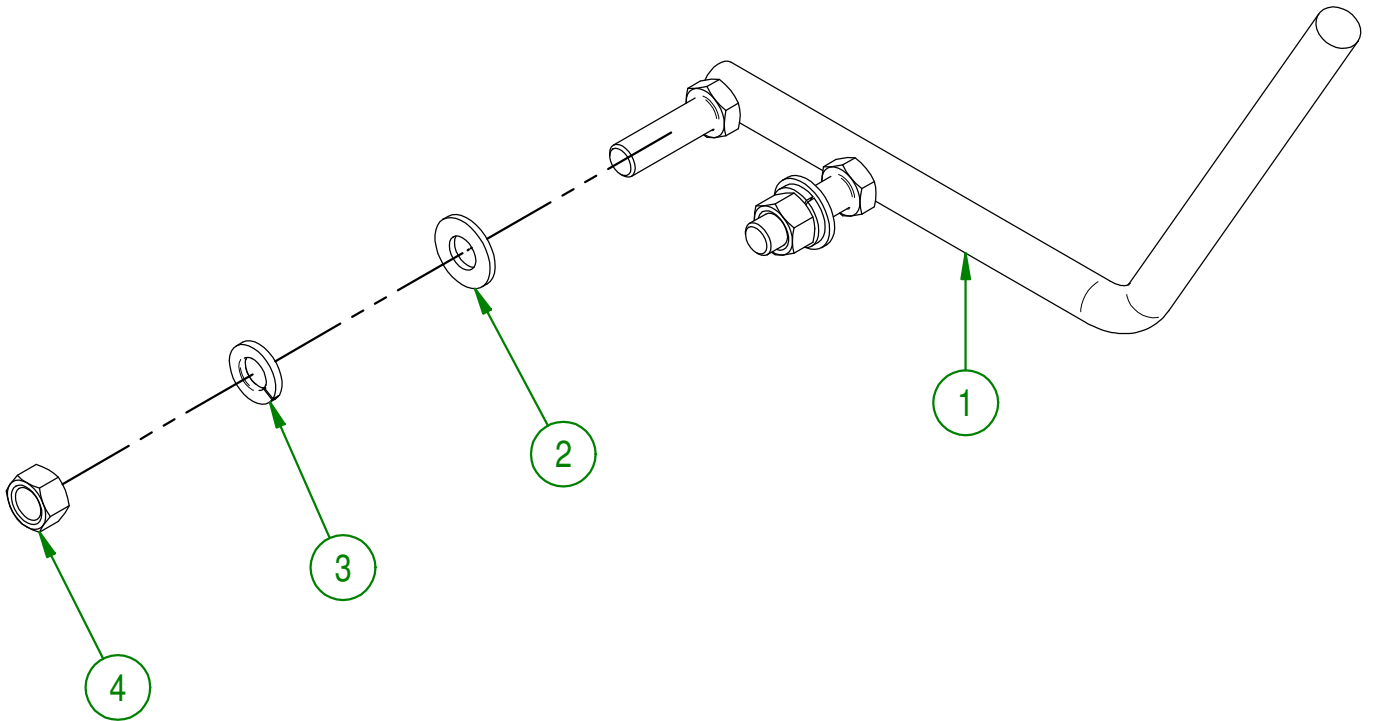
AUTHOR : J.KABWE Page 23 de 27

#	PART #	Qty	TITLE
1	NC13-30-0237	1	PLASTIC TUBE FOR OPERATOR'S MANUAL
2	49-98-0620	1	OPER. MAN. 3 POINT HITCH SNOW BLOWER
3	NC02-22-0008	2	WASHER ZINC 5/16"
4	NC01-17-0007	2	HEX. BOLT GR2 ZINC 1/4-20 X 1 1/4"
5	NC01-96-0009	2	NYLON-INSERT LOCKNUT ZINC 1/4-20



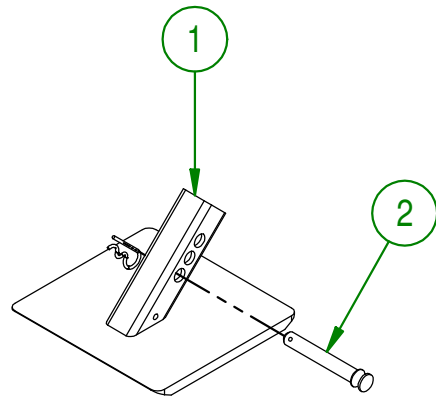
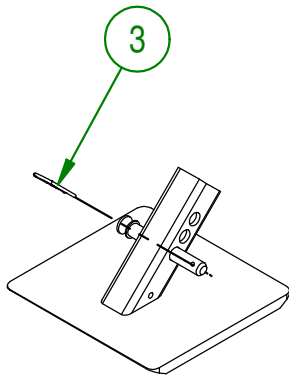
AGRIMETAL	
OPER. MAN. MAX TWIN GROUP	
CREATION : 04/06/18	ASSEMBLY : 49-57-0070
REVISION : 04/06/18	AUTHOR : J.KABWE Page 24 de 27

#	PART #	Qty	TITLE
1	48-50-1085	1	PTO SUPPORT
2	01-01-2485	2	FLAT WASHER
3	NC02-32-0012	2	LOCK WASHER ZINC 3/8"
4	NC02-07-0018	2	HEX. NUT ZINC 3/8-16



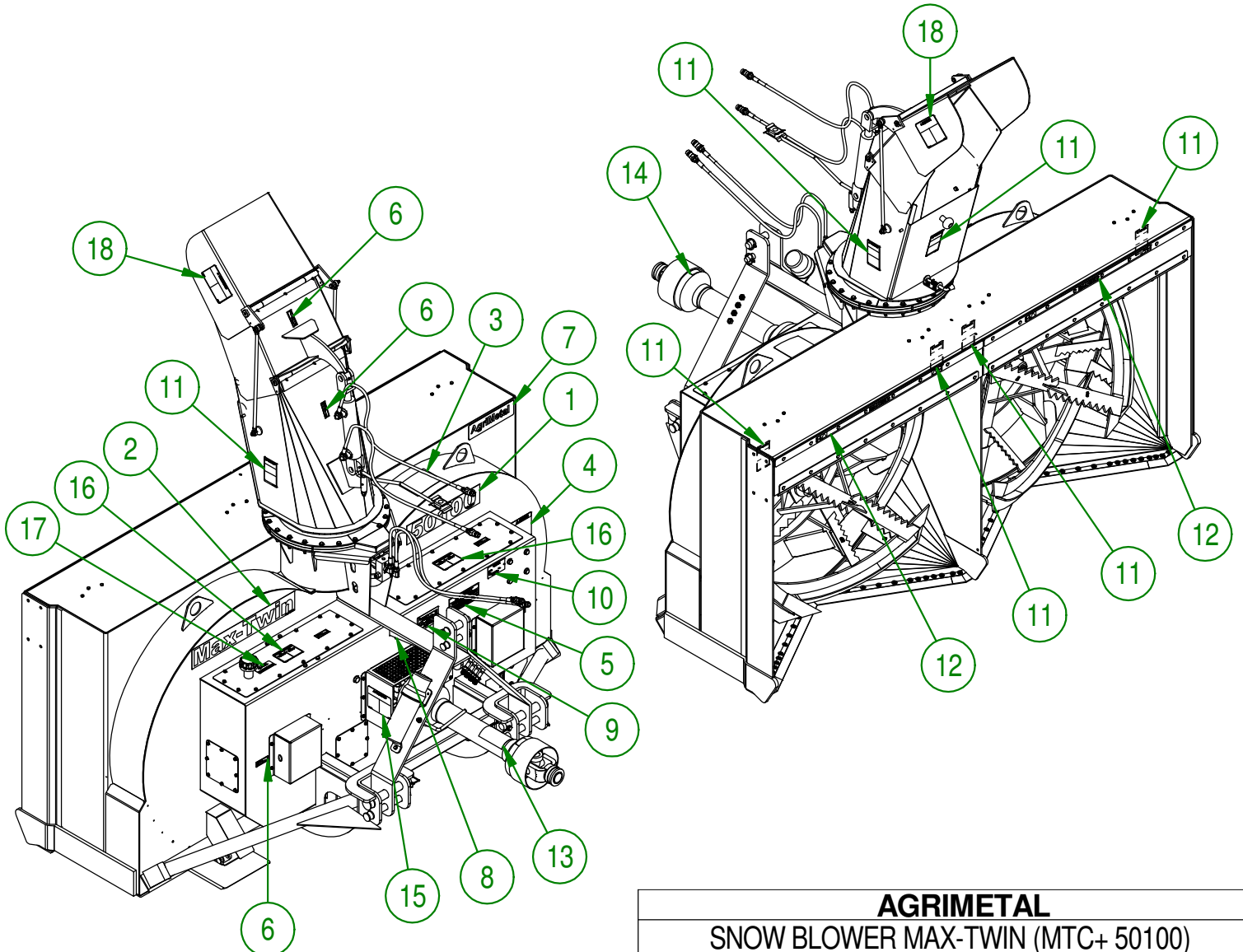
AGRIMETAL	
PTO SUPPORT GROUP.	
CREATION : 04/06/18	ASSEMBLY : 48-57-1165
REVISION : 04/06/18	AUTHOR : J.KABWE Page 25 de 27

#	PART #	Qty	TITLE
1	49-50-0535	2	ADJUSTABLE SKATE
2	49-20-0210	2	ADJUSTABLE SKATE PIN
3	NC01-63-0026	2	COTTER PIN ZC 5/32" X 3"



AGRIMETAL	
ADJUSTABLE SKATE GROUP.	
CREATION : 04/06/18	ASSEMBLY : 49-57-0085
REVISION : 04/06/18	AUTHOR : J.KABWE Page 26 de 27

#	PART #	Qty	TITLE
1	NCI3-33-0225	1	STICKER 50100
2	NCI3-33-0201	1	STICKER MAX-TWIN
3	NCI3-33-0211	1	STICKER IMPORTANT
4	NCI3-33-0108	1	STICKER CAUTION
5	NCI3-33-0317	1	STICKER GREASE DRIVE LINE TELESCOPIC SHAFT
6	NCI3-33-0024	8	STICKER GREASE HERE
7	NCI3-33-0035	1	STICKER AGRIMETAL
8	NCI3-33-0228	1	STICKER MAXIMUM 1000 RPM
9	NCI3-33-0275	1	STICKER PICTOGRAM
10	25-55-0710	1	SERIAL NUMBER PLATE
11	NCI3-33-0217	7	STICKER DANGER
12	NCI3-33-0274	2	STICKER DANGER
13	NCI4-85-0276	1	STICKER (DANGER-PLASTIC GUARD)
14	NCI3-33-0310	1	STICKER T90
15	NCI3-33-0020	2	STICKER DANGER
16	NCI3-33-0017	2	STICKER WARNING
17	NCI3-33-0003	1	STICKER OIL LEVEL
18	NCI3-33-0051	2	STICKER DANGER THROWN OBJECT HAZARD

**AGRIMETAL****SNOW BLOWER MAX-TWIN (MTC+ 50100)**

CREATION : 10/07/18
 REVISION : 13/12/18

ASSEMBLY : **49-99-0500**
 AUTHOR : J.KABWE Page 27 de 27